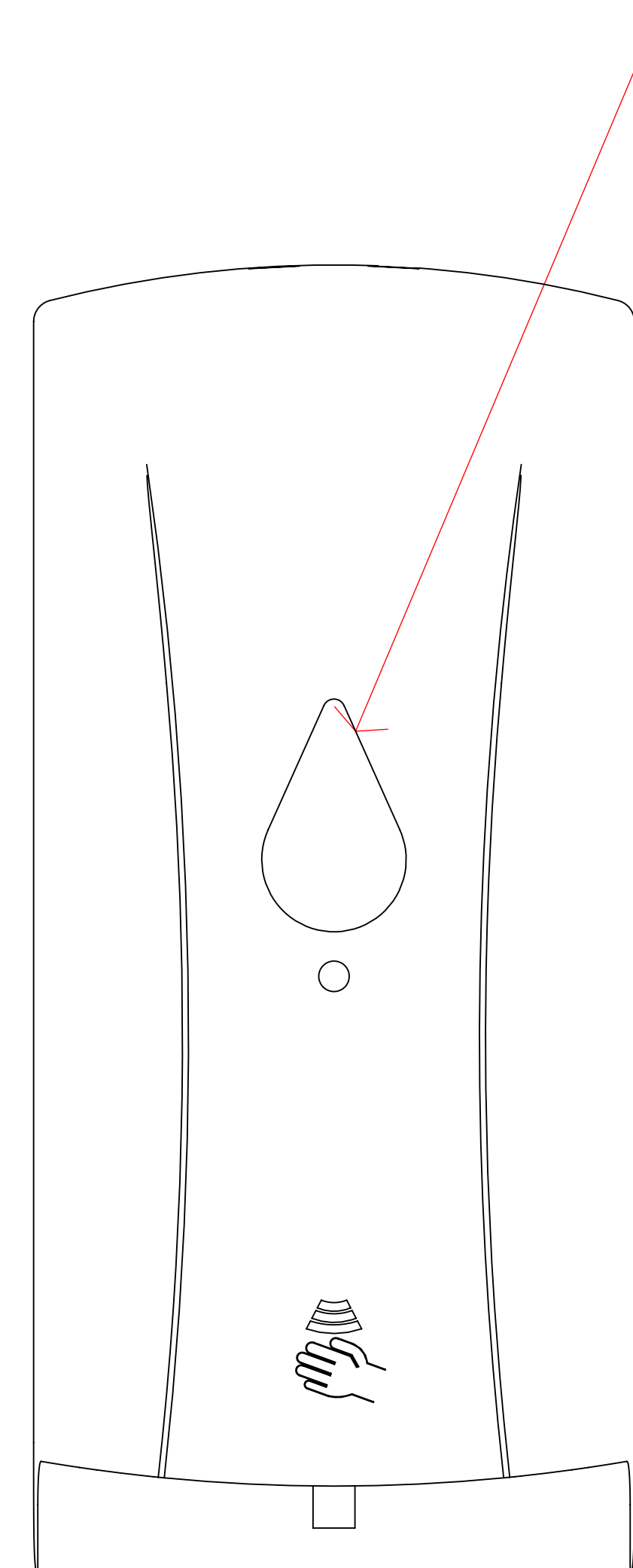
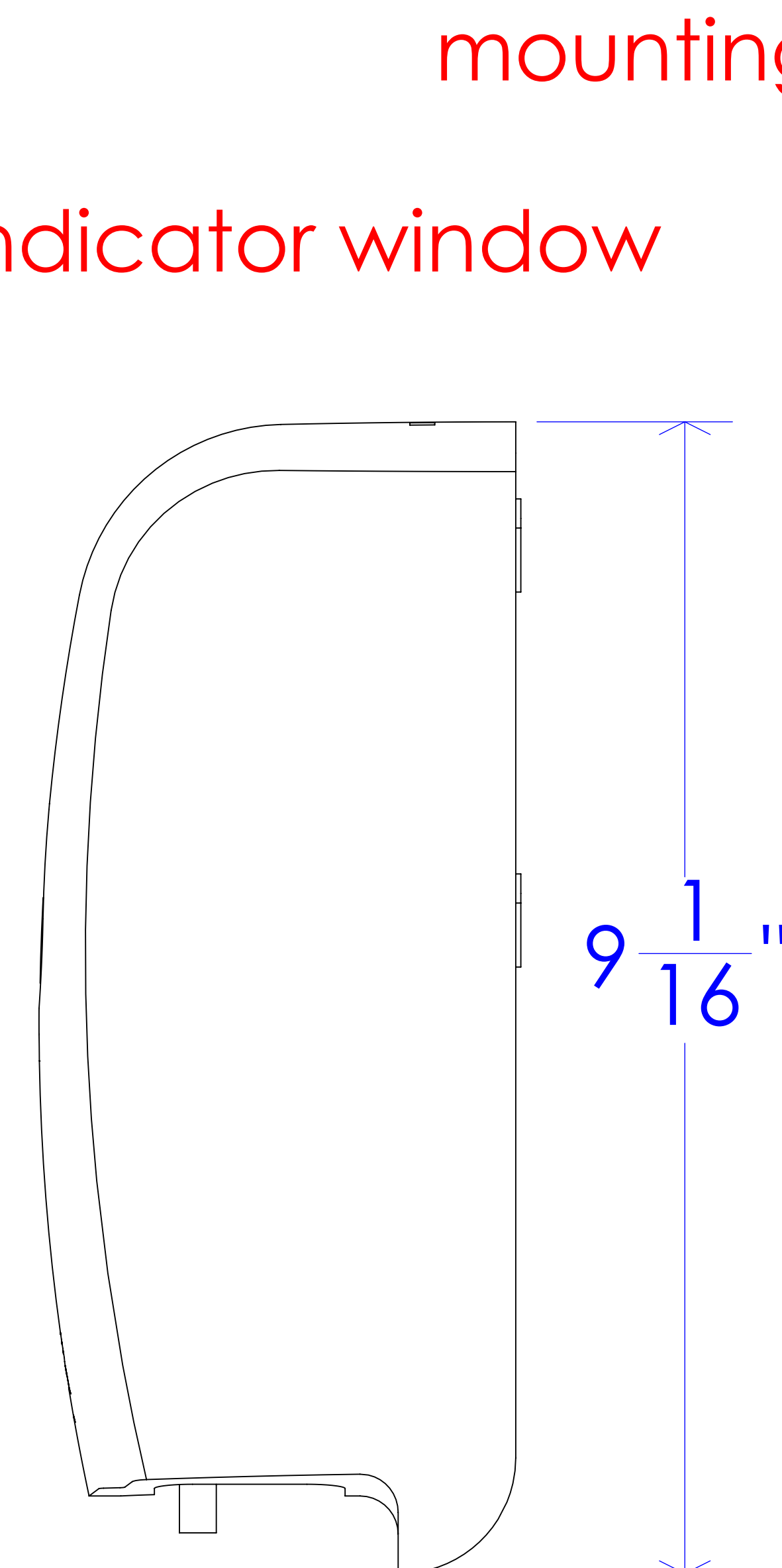


Top view



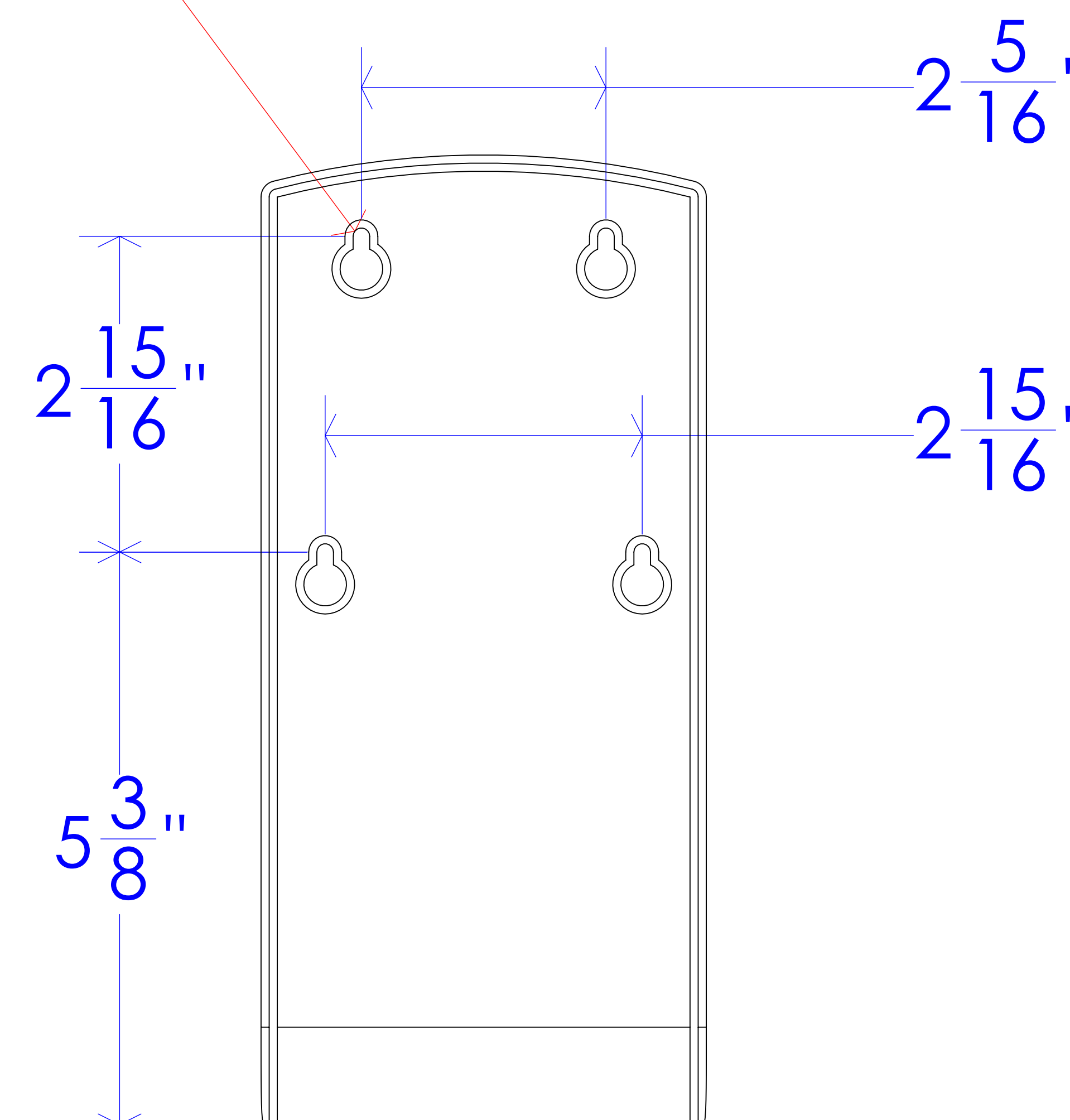
Front view

4 1/8"

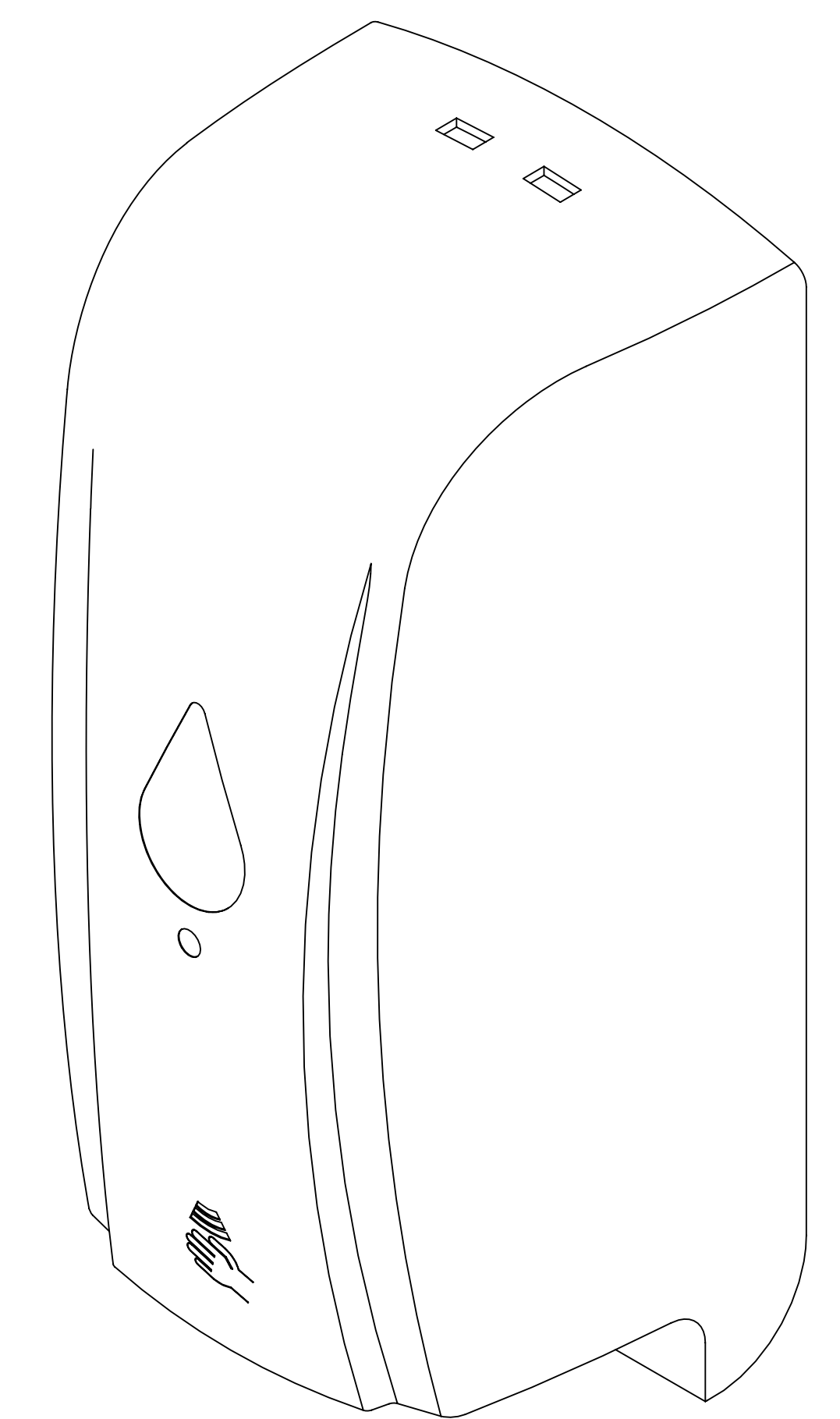


Side view

mounting hole(4)



Back view



3D view  
code 714-C

15" to 48" [381 to 1220] height above floor for unrestricted access

Min. height above counter 8" [20]

Floor

PROPRIETARY AND CONFIDENTIAL  
THE INFORMATION CONTAINED IN THIS DRAWING IS THE SOLE PROPERTY OF  
FROST PRODUCTS LTD. ANY REPRODUCTION IN PART OR AS A WHOLE WITHOUT  
THE WRITTEN PERMISSION OF FROST PRODUCTS LTD. IS PROHIBITED.

FROST PRODUCTS LTD.  
5280 JOHN LUCAS DRIVE, BURLINGTON, ON, L7L 5Z9

DATE: October 18, 2021

TITLE:

DWG NO.

714-C

714-C Drawing

DO NOT SCALE DRAWING

UNLESS OTHERWISE SPECIFIED DIMENSIONS ARE IN INCHES.

SCALE: 1:1