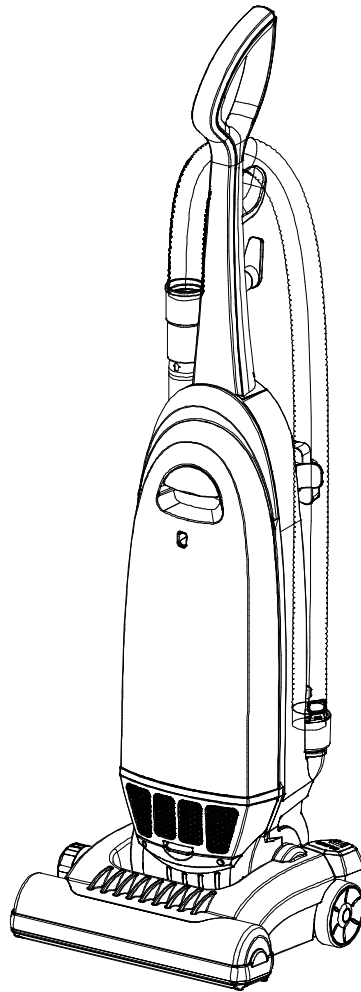
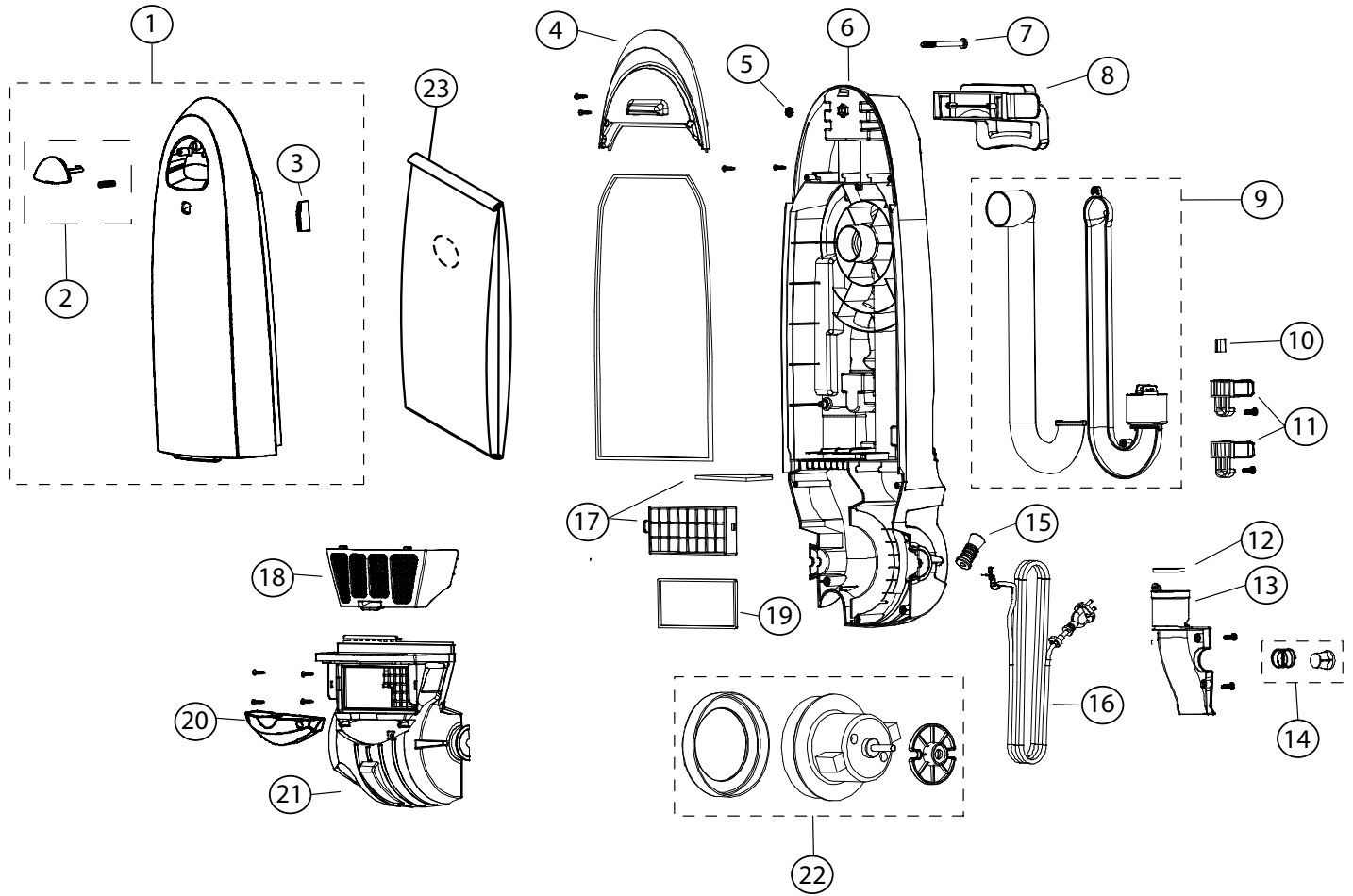


CARPET PRO PARTS BOOK

CPU-250 CPU-350 MODELS



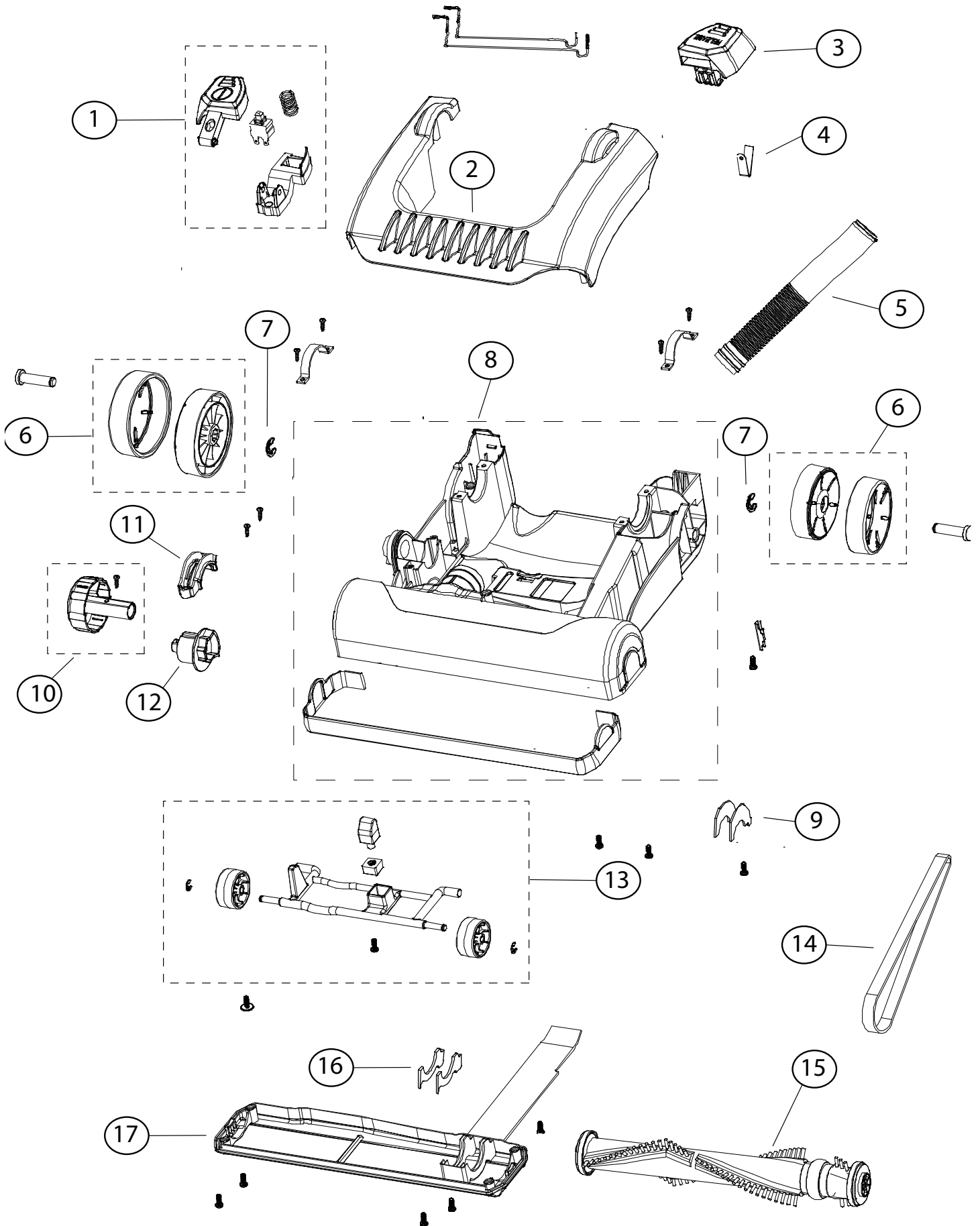


MAIN BODY ASSEMBLY**Carpet Pro Models CPU-250/CPU-350**

KEY	PART NUMBER	DESCRIPTION
1	C283-3800	Dust Cover Assembly (CPU-250)
	C283-3810	Dust Cover Assembly (CPU-350)
2	C283-1000	Dust Cover Latch with Spring
3	C283-2000	Full Bag Indicator Assembly (CPU-250)
4	B283-4100	Cover Plate
5	B283-4400	Handle Nut
6	C283-2300	Dust Compartment
7	B283-0100	Handle Bolt
8	B283-4500	Carrying Handle
9	C283-2700	Airpath Assembly
10	B283-0200	Upper Crevice Tool Clip
11	B283-0300	Lower Tool Clip
12	B283-0400	Wand Inlet Tube Seal
13	B283-0500	Wand Inlet Tube
14	C283-2500	Pressure Relief Valve
15	B283-0600	Cord Strain Relief
16	C283-0012	Power Cord 2 wire SVT17 30' Black (CPU-250)
	C283-0113	Power Cord 3 wire SJT18 40' Yellow (CPU-350)
17	CPU250-F	Filter Set
18	B283-4200	Filter Cover
19	B283-0900	Post HEPA Filter Seal
20	B283-0730	Lens Cover
21	B283-0710	Motor Cover
22	C283-2600	12 amp Motor Assembly (CPU-250)
	C283-2610	10 Amp Motor Assembly (CPU-350)
23	CPP-3	Paper Bag (3 pack)

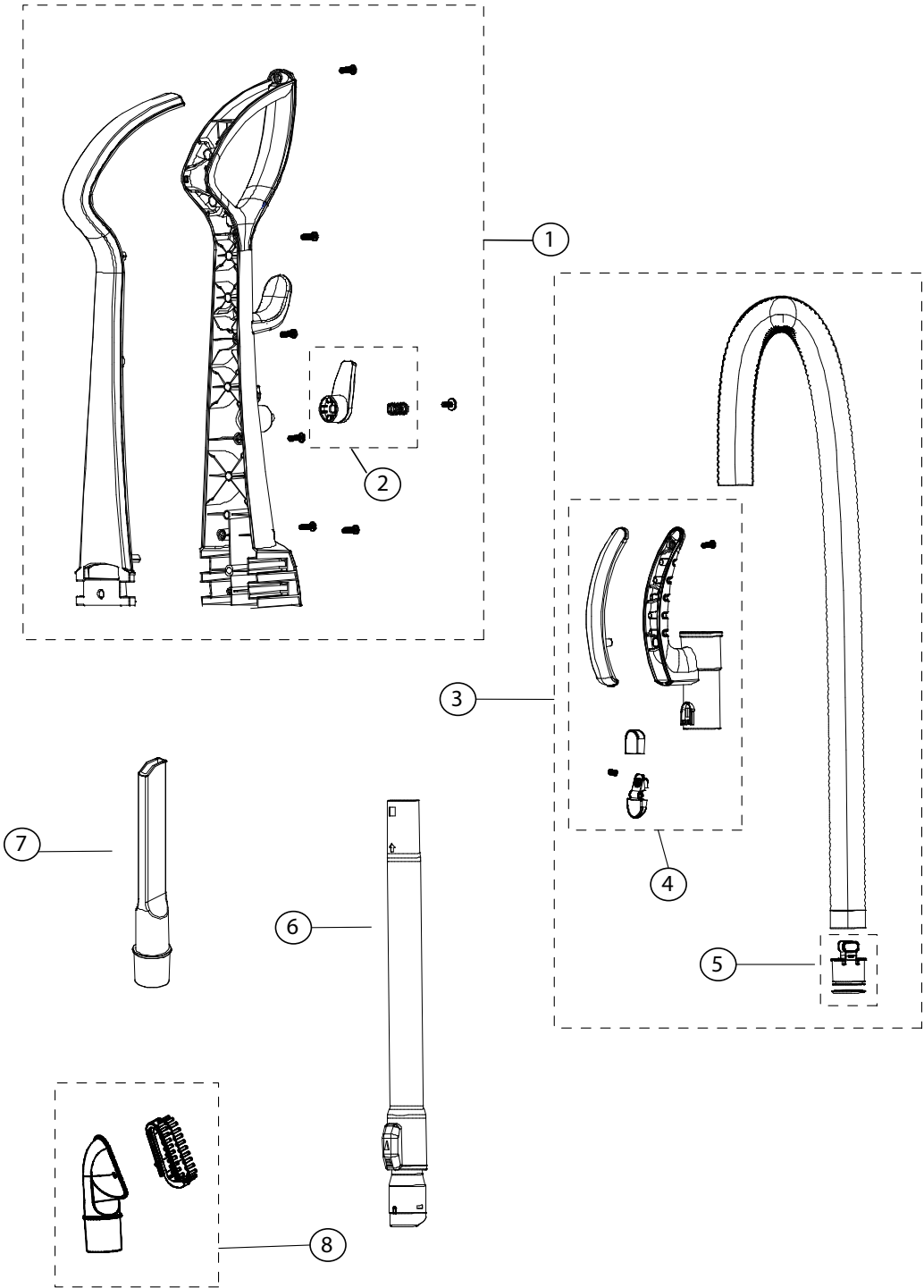
NOZZLE ASSEMBLY

Carpet Pro Models CPU-250/CPU-350



NOZZLE ASSEMBLY**Carpet Pro Models CPU-250/CPU-350**

KEY	PART NUMBER	DESCRIPTION
1	B283-1810	Pedal Assembly Red
2	C283-3500	Nozzle Cover
3	B283-1800	Handle Release Button
4	B283-5200	Handle Release Spring
5	B283-1300	Nozzle Inlet Tube
6	B283-0038	Rear Wheel Assembly
7	B283-0037	Rear Wheel E Clip
8	B283-5400	Basetray with Furniture Guard
9	B283-1400	Upper Agitator Seal
10	C283-3600	Height Adjust Knob
11	B283-5500	Height Adjust Press Plate
12	B283-5600	Height Adjust Axle
13	C283-3000	Height Adjust Frame Assembly
14	B014-6900	Belt
15	C283-0019	Agitator
16	B283-1500	Lower Agitator Seal
17	B283-0042	Baseplate



KEY	PART NUMBER	DESCRIPTION
1	C283-3200	Handle Assembly
2	C283-2200	Cord Hook
3	C283-2800	Hose Assembly
4	B283-4800	Hose Handle
5	B283-4700	Hose Connector
6	C283-3400	Wand Assembly
7	B283-1200	Crevice Tool
8	C283-3700	Upholstery/Dusting Brush