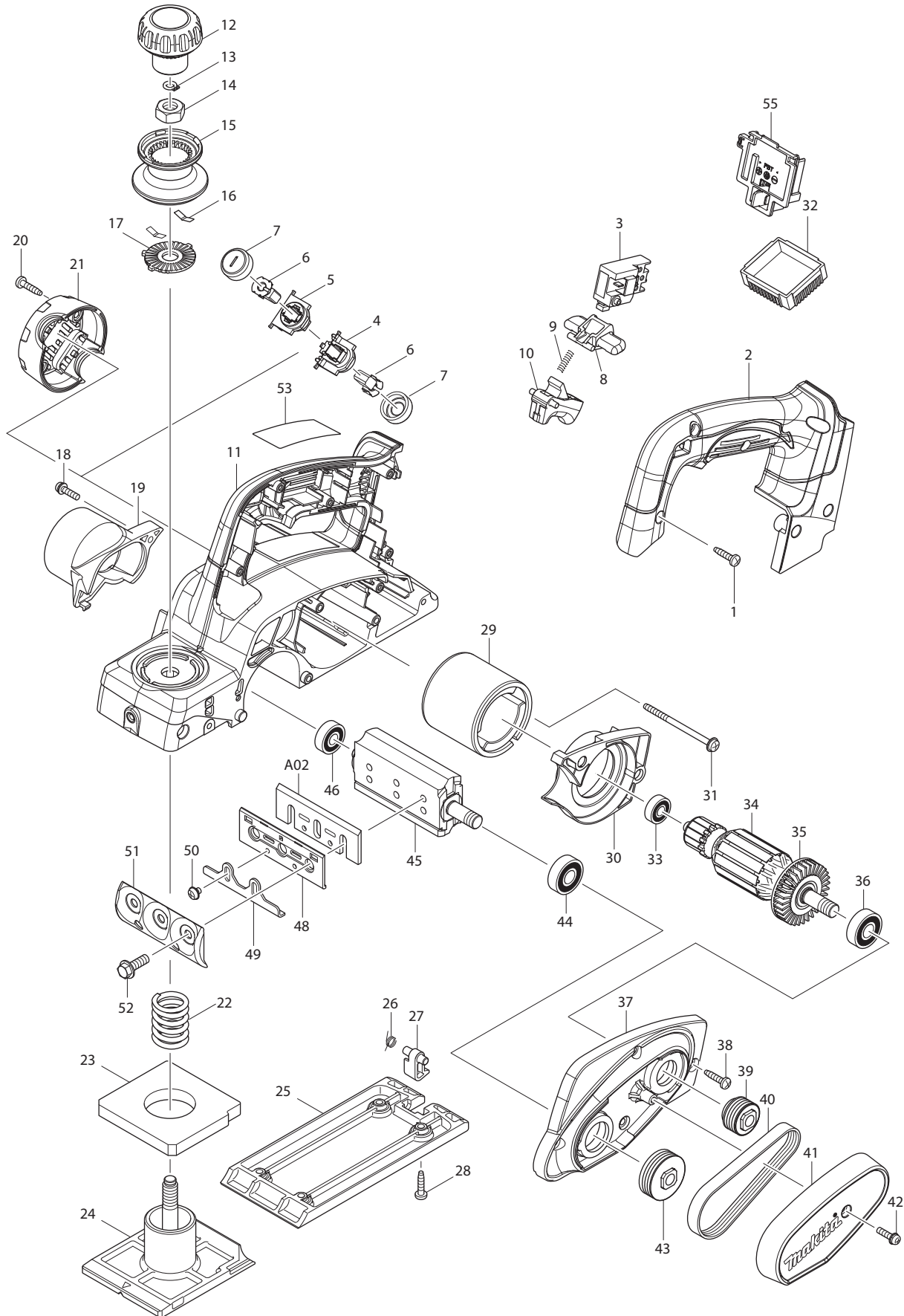




04 - 2014
DKP180F, DKP180RFE, DKP180Z
18V 3-1/4" PLANER



Item No.	Type	Sub	Part No.	Description	Qty	Unit
001			266326-2	TAPPING SCREW 4X18	6	PC.
002			140905-3	HANDLE COVER COMPLETE	1	PC.
		INC.	263005-3	RUBBER PIN 6	1	PC.
003			650631-1	SWITCH	1	PC.
004			643872-6	BRUSH HOLDER	1	PC.
005			643873-4	BRUSH HOLDER	1	PC.
006			195022-4	CARBON BRUSH CB-441 2PCS/SET (W/ORIGIN)	1	SET
007			643829-7	HOLDER CAP	2	PC.
008			419664-3	LOCK OFF LEVER	1	PC.
009	2		231469-9	COMPRESSION SPRING 4	2	PC.
010			419665-1	SWITCH LEVER	1	PC.
011			142578-8	MAIN FRAME COMPLETE	1	PC.
		INC.	263005-3	RUBBER PIN 6	1	PC.
		INC.	803H94-0	CAUTION LABEL	1	PC.
012			451328-3	KNOB COVER	1	PC.
013			961004-6	RETAINING RING S-8	1	PC.
014			264028-4	HEX. NUT M10	1	PC.
015			452793-9	KNOB	1	PC.
016			232185-6	LEAF SPRING	2	PC.
017			346110-2	CAM PLATE	1	PC.
018			911128-8	PAN HEAD SCREW M4X16	1	PC.
019			451393-2	CHIP COVER	1	PC.
020			266326-2	TAPPING SCREW 4X18	2	PC.
021			419281-9	REAR COVER	1	PC.
022			231004-3	COMPRESSION SPRING 18	1	PC.
023			421007-7	RUBBER PACKING	1	PC.
024			319011-7	FRONT BASE	1	PC.
025			319009-4	BASE	1	PC.
026			231698-4	TORSION SPRING 7	1	PC.
027	1		451392-4	FOOT	1	PC.
	2		413L64-1	FOOT	1	PC.
028			266326-2	TAPPING SCREW 4X18	4	PC.
029			638571-3	YOKE UNIT	1	PC.
030			452479-5	BAFFLE PLATE	1	PC.
031	1		266292-3	TAPPING SCREW 4X65	2	PC.
	2		265A85-1	TAPPING SCREW 4X65	2	PC.
032	1		620264-6	CONTROLLER	1	PC.
	2		620G74-3	CONTROLLER	1	PC.
033			210017-7	BALL BEARING 607DDW	1	PC.
034			519272-1	ARMATURE ASS'Y DC18V	1	PC.
		INC.		Item No. 33,35,36		
035			240052-1	FAN 46	1	PC.
036			211088-7	BALL BEARING 6000DDW	1	PC.
037			140753-0	BRACKET COMPLETE	1	PC.
		INC.	263002-9	RUBBER PIN 4	2	PC.
038			266326-2	TAPPING SCREW 4X18	4	PC.
039			222172-3	V-PULLEY 4-24L	1	PC.
040			225007-7	POLY V-BELT 4-241	1	PC.
041			452478-7	BELT COVER	1	PC.
042	2		911138-5	PAN HEAD SCREW M4X20	1	PC.
043			222173-1	V-PULLEY 4-33.5	1	PC.
044			211088-7	BALL BEARING 6000DDW	1	PC.
045			161061-6	DRUM	1	PC.
046			211032-4	BALL BEARING 608ZZ	1	PC.
048			343433-9	SET PLATE F/MINI BLADE	2	PC.
049	1		347027-2	* ADJUST PLATE (Bulk production use)	2	PC.

Item No.	Type	Sub	Part No.	Description	Qty	Unit
	2		345644-2	* ADJUST PLATE	2	PC.
050			265132-2	+ PAN HEAD SCREW M4X5	4	PC.
051			187679-5	DRUM PLATE SET	1	SET
052			251609-3	HEX. FLANGE HEAD BOLT M6X17	6	PC.
053			815K71-8	NAME PLATE F/DKP180	1	PC.
055			644808-8	TERMINAL	1	PC.
100			265785-7	THUMB SCREW M5X10(F/ Item No. A01 GUIDE RULE)	1	PC.
D01			654208-4	RECEPTACLE	1	PC.

ACCESSORIES

A01	1		165581-2	GUIDE RULE	1	PC.
	2		195055-9	GUIDE RULE SET	1	SET
		INC.		Item No. 100	1	PC.
A02	1		A-82921	3-1/4" C.T. MINI PLANER BLADE 65 DEGREE	1	SET
	2		D-16966	3-1/4" C.T. MINI PLANER BLADE 35 DEGREE 2PC/SET	1	SET
A03			191C19-9	BLADE GAUGE ASS'Y - PKG	1	PC.
	3		122695-0	BLADE GAUGE ASS'Y - BULK	1	PC.
		INC.	265131-4	PAN HEAD SCREW M5X18	2	PC.
		INC.	418465-6	GAUGE PLATE	1	PC.
A04			782209-3	SOCKET WRENCH 9	1	PC.
A05			-----	BATTERY CHARGER		
A06			-----	18V LI-ION BATTERY		
A07			-----	LI-ION BATTERY ACCESSORIES		
A09			824982-0	PLASTIC CARRYING CASE	1	PC.
		INC.	162271-8	LATCH	2	PC.
		INC.	450990-1	HANDLE	1	PC.
A10			837295-0	INNER TRAY	1	PC.
A12			191C21-2	DUST BAG ASS'Y - PKG	1	PC.
		INC.	122793-0	DUST BAG ASS'Y - BULK	1	PC.
A13	2		191C17-3	SHARPENING HOLDER ASS'Y	1	PC.
		INC.	251920-3	CAP SQUARE NECK BOLT M6X30	2	PC.
		INC.	341003-8	PRESSURE PLATE	1	PC.
		INC.	934301-3	WING NUT M6	2	PC.
A14			123060-6	BEVEL GUIDE ASS'Y	1	PC.
		INC.	923211-9	CAP SQUARE NECK BOLT M5X12	2	PC.
		INC.	911221-8	PAN HEAD SCREW M5X16	2	PC.
		INC.	934201-7	WING NUT M5	2	PC.
A15			191725-8	EXTENSION GUIDE SET	1	SET
		INC.	911201-4	PAN HEAD SCREW M5X8	2	PC.
		INC.	252045-6	SQUARE NUT M5	2	PC.
A16			193540-6	SET PLATE (FOR MINI PLANER BLADE) (2PC/SET)	1	SET
		INC.		Item No. 48		
A18			451329-1	NOZZLE	1	PC.
A19			794061-7	DRESSING STONE 150-1200	1	PC.

SERVICE CHANGES

1. Changes on Adjust Plate

(TI#B0536)

Item No.	Description	Type 1	Type 2
49	Adjust Plate	345644-2 or 347027-2	345644-2

Completely interchangeable as a pair (2pc)