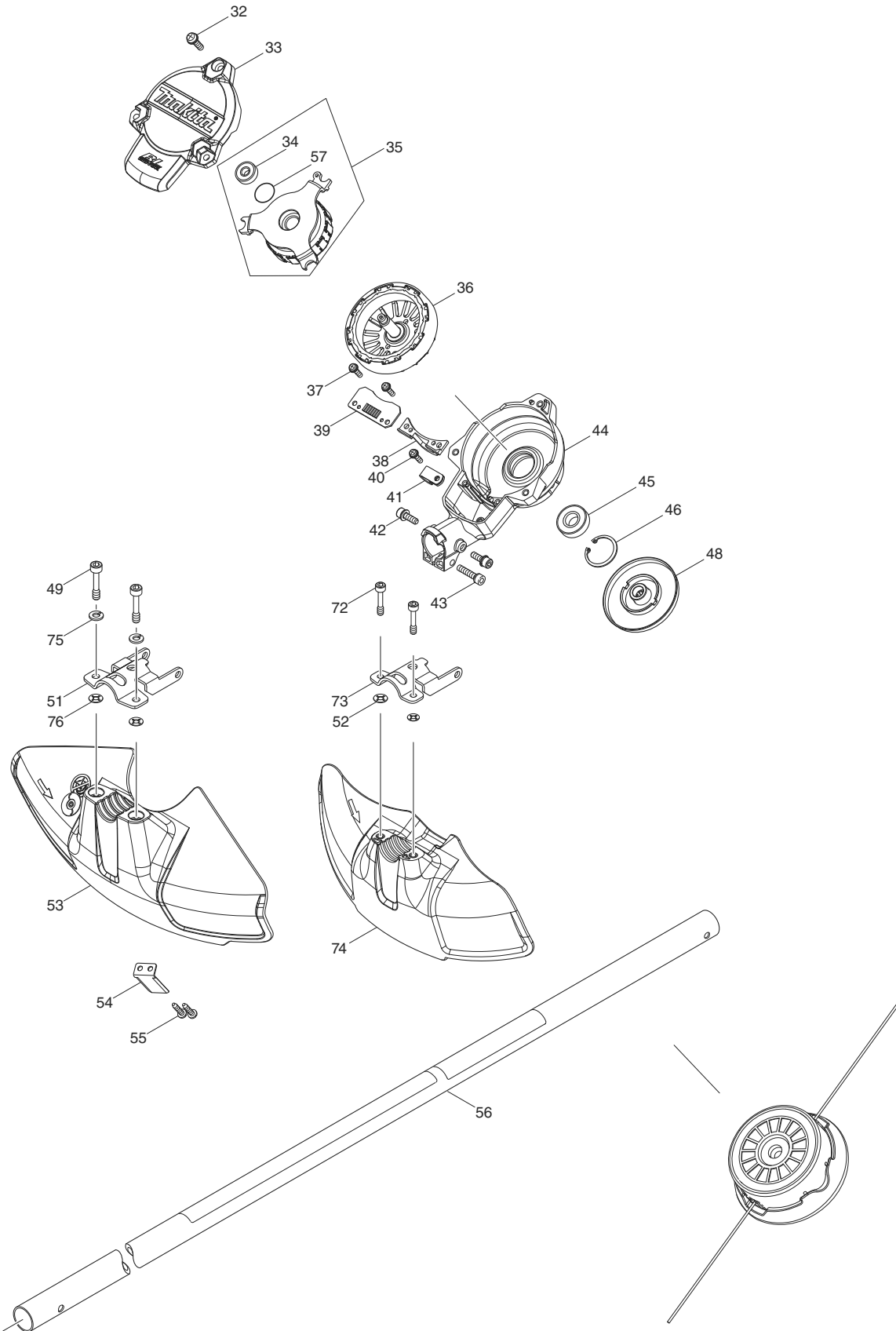


DUR368L



DUR368L

Item No.	Type	Sub	Part No.	Description	Qty	Unit
001			183A19-1	GRIP SET	1	SET
002			699119-6	POWER SUPPLY CORD UNIT	1	PC.
003			687260-7	STRAIN RELIEF	1	PC.
004			266326-2	TAPPING SCREW 4X18	1	PC.
005			455629-1	LOCK OFF LEVER	1	PC.
006			233621-5	TORSION SPRING 9	1	PC.
007			455625-9	SWITCH LEVER	1	PC.
008			632E26-0	SWITCH UNIT	1	PC.
009			140L82-3	SUB CONTROLLER COMPLETE US	1	PC.
		INC.	819N38-6	SWITCH LABEL	1	PC.
		INC.	819N40-9	INDICATION LABEL	1	PC.
010			233612-6	TORSION SPRING 10	1	PC.
011			922228-9	H.S.H.BOLT M5X18 WITH WR	1	PC.
013			266326-2	TAPPING SCREW 4X18	6	PC.
014			699067-9	POWER SUPPLY CORD UNIT	1	PC.
015			183L33-3	HOUSING SET	1	SET
		INC.	263005-3	RUBBER PIN 6	4	PC.
		INC.	252126-6	HEX. LOCKING NUT M4-7	3	PC.
017			346248-3	CLAMP 24	1	PC.
018			266326-2	TAPPING SCREW 4X18	1	PC.
019			687260-7	STRAIN RELIEF	1	PC.
020			266326-2	TAPPING SCREW 4X18	1	PC.
021	1		620B09-4	* CONTROLLER	1	PC.
	2		620J63-6	* CONTROLLER	1	PC.
022			644808-8	TERMINAL	2	PC.
024			855V75-4	DUR368L NAME PLATE	1	PC.
025			266326-2	TAPPING SCREW 4X18	7	PC.
026			251314-2	+ SCREW M4X12	1	PC.
027			251314-2	+ SCREW M4X12	2	PC.
028			346858-6	BATTERY GUARD	1	PC.
029			168478-4	HANGER	1	PC.
030			922228-9	H.S.H.BOLT M5X18 WITH WR	1	PC.
032			911233-1	PAN HEAD SCREW M5X20	3	PC.
033			455626-7	TOP COVER	1	PC.
034	2		210269-0	BALL BEARING 607ZZ	1	PC.
035	1		529146-8	STATOR ASS'Y	1	PC.
		INC.		Item No. 34,57		
	3		520135-6	* STATOR ASS'Y	1	PC.
		INC.		Item No. 34,57		
			592E25-3	* STATOR ASS'Y	1	PC.
036			619462-7	ROTOR	1	PC.
037			911128-8	P.H.SCREW M4X16 WITH WR	2	PC.
038			455628-3	INNER COVER	1	PC.
039	1		620562-8	CONTROLLER B	1	PC.
	3		620J62-8	* CONTROLLER B	1	PC.
040			911128-8	P.H.SCREW M4X16 WITH WR	1	PC.
041			687042-7	STRAIN RELIEF	1	PC.
042			922223-9	H.S.H.BOLT M5X16 WITH WR	2	PC.
043			922241-7	HEX. SOCKET HEAD BOLT M5X25	1	PC.
044			143039-1	MOTOR HOUSING COMPLETE	1	PC.
045			211131-2	BALL BEARING 6001DDW	1	PC.
046			962106-1	RETAINING RING R-28	1	PC.
048			140L84-9	RECEIVE WASHER COMPLETE G	1	PC.
049			266579-3	HEX SOCKET HEAD BOLT M6X30	2	PC.
051			346073-2	PROTECTOR CLAMP	1	PC.
053			459504-3	PROTECTOR N 380	1	PC.

Item No.	Type	Sub	Part No.	Description	Qty	Unit
054			346855-2	CUTTER	1	PC.
055			266326-2	TAPPING SCREW 4X18	2	PC.
056			143856-9	PIPE COMPLETE L	1	PC.
		INC.	819312-8	MAKITA LOGO LABEL	1	PC.
		INC.	809N08-3	CAUTION LABEL	1	PC.
057			213325-5	O RING 19	1	PC.
075			253428-3	SPRING WASHER 6	2	PC.
076			413143-3	WASHER	2	PC.
078			855V83-5	DUR368L SERIAL NO. LABEL	1	PC.
079			451601-1	SPACER 24	1	PC.
080			457269-1	PIPE HOLDER 24	1	PC.
081			922244-1	H.S.H.BOLT M5X25 WITH WG	1	PC.
082			424942-8	DAMPER	1	PC.
083			347114-7	LOWER CLAMP 35	1	PC.
084			347113-9	UPPER CLAMP 35	1	PC.
085			457267-5	LOOP HANDLE	1	PC.
086			922234-4	H.S.H.BOLT M5X20 WITH WG	2	PC.

### **ACCESSORIES**

**- Visit [www.makita.ca](http://www.makita.ca) for more accessories information -**

A01	2		127508-0	BAND ASSEMBLY (SHOULDER HARNESS)	1	PC.
A02	2		191R00-0	BUMP&FEED ECO 4" TRIMMER HEAD ASSY M10X1.25LH	1	PC.
A03			195246-2	SAFETY GOGGLE	1	PC.
A06			783202-0	HEX. WRENCH 4	1	PC.
A07			831304-7	ACCESSORY BAG	1	PC.
A08			783217-7	HEX. WRENCH 5	1	PC.
A09			197472-9	NYLON CORD, SPIRAL DIA 2.0MMX15M	1	PC.
A10			197473-7	NYLON CORD, SPIRAL DIA 2.0MMX30M	1	PC.
A11			197474-5	NYLON CORD, SPIRAL DIA 2.0MMX160M	1	PC.
A12			197475-3	NYLON CORD, SPIRAL DIA 2.0MMX280M	1	PC.
A13			450128-8	BATTERY COVER	1	PC.
A14			-----	BATTERY CHARGER	1	PC.
A15			-----	18V LI-ION BATTERY	2	PC.

### **SERVICE CHANGES**

#### **1. Changes on Controller B, Controller and Stator Assembly**

(T/#DG044)

Item No.	Description	Type 1	Type 2
39	CONTROLLER B	620E48-2	620J62-8
21	CONTROLLER	620B09-4	620J63-6
35	STATOR ASSEMBLY	520135-6	592E25-3

Above parts are completely interchangeable as a set.