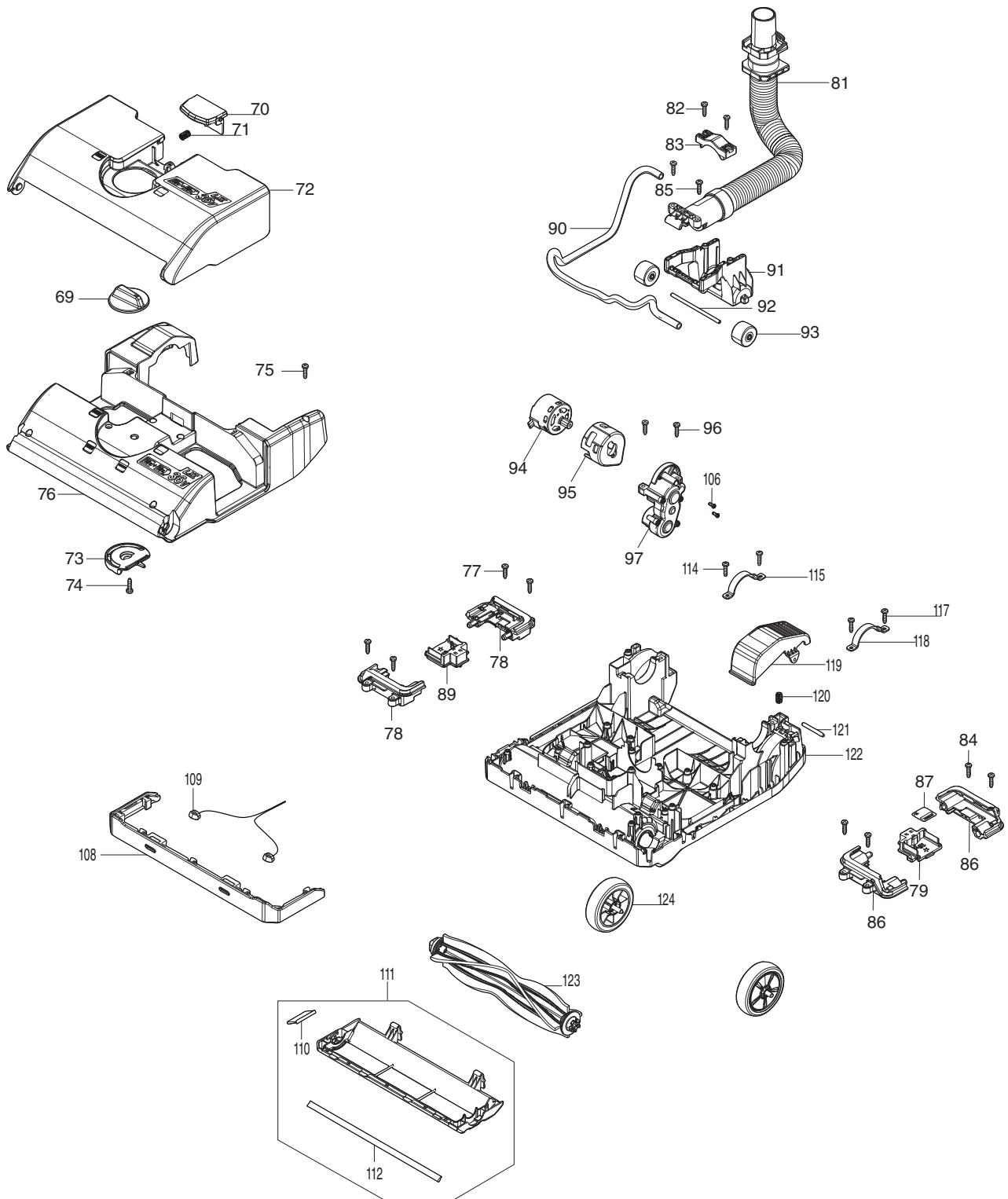


DVC560 1/2



Item No.	Type	Sub	Part No.	Description	Qty	Unit
001			266326-2	TAPPING SCREW 4X18	4	PC.
002			183R12-7	HANDLE SET	1	SET
003			140S35-4	SWITCH PLATE COMPLETE	1	PC.
		INC.	8020C7-1	SWITCH LABEL	1	PC.
004			631973-2	SWITCH UNIT	1	PC.
006			327555-3	PIPE A	1	PC.
007			632R23-4	LEAD UNIT	1	PC.
008			266326-2	TAPPING SCREW 4X18	4	PC.
009			140U72-0	TOP COVER COMPLETE	1	PC.
010			266326-2	TAPPING SCREW 4X18	2	PC.
011			266326-2	TAPPING SCREW 4X18	2	PC.
012			632R22-6	LEAD UNIT	1	PC.
013			412455-1	INLET	1	PC.
014			213663-5	O RING 55	1	PC.
015			140V53-0	INDICATION CIRCUIT COMPLETE	1	PC.
016			140S37-0	HOSE COMPLETE 28-0.7	1	PC.
017			127522-6	PIPE ASSEMBLY	1	PC.
018			266326-2	TAPPING SCREW 4X18	9	PC.
019			412449-6	SIDE DUST BOX COVER	1	PC.
020			422580-0	SEAL RING B	1	PC.
021			632R24-2	LEAD UNIT	1	PC.
022			941051-3	FLAT WASHER 4	1	PC.
023			412465-8	STOPPER PLATE	1	PC.
024			232627-0	TORSION SPRING 9	1	PC.
025			266326-2	TAPPING SCREW 4X18	1	PC.
026			857N02-9	DVC560 NAME PLATE	1	PC.
027			266326-2	TAPPING SCREW 4X18	2	PC.
028			412444-6	NOZZLE HOLDER	2	PC.
029			412464-0	LOCK LEVER A	1	PC.
030			231309-1	COMPRESSION SPRING 5	1	PC.
031			412463-2	STAY	1	PC.
032			234391-9	COMPRESSION SPRING 8	1	PC.
033	1		140S30-4	DUST BOX COMPLETE	1	PC.
		INC.	8023P0-4	CAUTION LABEL	1	PC.
	2		141K73-1	DUST BOX COMPLETE	1	PC.
		INC.	8023P0-4	CAUTION LABEL	1	PC.
034			140V23-9	VALVE COMPLETE	1	PC.
035	1		191D63-2	FILTER BAG 10PC SET	10	SET
	2		191T96-3	FILTER BAG 10PC SET	10	SET
036			412446-2	LATCH	1	PC.
037			191E39-5	MAIN FILTER H SET	1	PC.
038			422578-7	SEAL RING A	1	PC.
039			412445-4	DUST BOX COVER	1	PC.
040			266326-2	TAPPING SCREW 4X18	7	PC.
041			140S32-0	MOTOR COVER COMPLETE	1	PC.
042			422376-9	SUPPORT RING	1	PC.
043			161804-6	FAN COVER	1	PC.
044			252268-6	HEX. NUT M6	1	PC.
045			322407-3	WASHER 6	1	PC.
046			241851-4	FAN 94	1	PC.
047			313062-2	FLANGE	1	PC.
048			266326-2	TAPPING SCREW 4X18	3	PC.
049			456736-3	FAN BASE	1	PC.
050			619517-8	ROTOR	1	PC.
051			629A10-0	STATOR	1	PC.
052			687464-1	SUPPORT	1	PC.
053			620526-2	CONTROLLER B	1	PC.
054			266786-8	+ PAN HEAD TAPPING SCREW 2X10	4	PC.
055			422370-1	BAND DAMPER C	1	PC.
056			424837-5	SUPPORT A	1	PC.
057			183D13-1	MOTOR HOUSING SET	1	SET
059			266326-2	TAPPING SCREW 4X18	4	PC.
061	2		620F21-8	CONTROLLER	1	PC.

Item No.	Type	Sub	Part No.	Description	Qty	Unit
		3	620G60-4	CONTROLLER	1	PC.
069			412438-1	HEIGHT CHANGE LEVER	1	PC.
070			412440-4	LOCK LEVER B	1	PC.
071			234332-5	COMPRESSION SPRING 7	1	PC.
072			412437-3	BATTERY COVER	1	PC.
073			412439-9	CAM	1	PC.
074			266326-2	TAPPING SCREW 4X18	1	PC.
075			266326-2	TAPPING SCREW 4X18	8	PC.
076			412420-0	UPPER HOUSING	1	PC.
077			266326-2	TAPPING SCREW 4X18	4	PC.
078			183R14-3	TERMINAL CASE SET	1	SET
		INC.	263005-3	RUBBER PIN 6	2	PC.
079			644809-6	TERMINAL	1	PC.
081			140S36-2	HOSE COMPLETE 28-0.2	1	PC.
082			266326-2	TAPPING SCREW 4X18	2	PC.
083			412435-7	CAM PLATE	1	PC.
084			266326-2	TAPPING SCREW 4X18	4	PC.
085			266326-2	TAPPING SCREW 4X18	2	PC.
086			183R14-3	TERMINAL CASE SET	1	SET
		INC.	263005-3	RUBBER PIN 6	2	PC.
087			857N09-5	DVC560 SERIAL NO. LABEL	1	PC.
089			644809-6	TERMINAL	1	PC.
090			422582-6	TUBE	1	PC.
091			412433-1	FRONT ROLLER HOLDER	1	PC.
092			256954-1	FRONT ROLLER SHAFT	1	PC.
093			412434-9	FRONT ROLLER	2	PC.
094			629A11-8	DC MOTOR	1	PC.
095			422583-4	TUBE JOINT	1	PC.
096			266326-2	TAPPING SCREW 4X18	2	PC.
097			122A42-1	BRUSH GEAR ASSEMBLY	1	PC.
106			265199-0	+ PAN HEAD SCREW M3X8	2	PC.
108			422574-5	BUMPER	1	PC.
109			620D19-3	LED CIRCUIT	1	PC.
110			422577-9	SIDE BRUSH	1	PC.
111			127521-8	BOTTOM PLATE ASSEMBLY	1	PC.
		INC.		Item No. 110,112		
112			422576-1	BRUSH	1	PC.
114			266326-2	TAPPING SCREW 4X18	2	PC.
115			347719-3	HINGE HOLDER	1	PC.
116			632R30-7	SWITCH UNIT	1	PC.
117			266326-2	TAPPING SCREW 4X18	2	PC.
118			347719-3	HINGE HOLDER	1	PC.
119			412454-3	FOOT LEVER	1	PC.
120			234339-1	COMPRESSION SPRING 6	1	PC.
121			256965-6	PIN 4	1	PC.
122			140S23-1	LOWER HOUSING COMPLETE	1	PC.
		INC.	8020C3-9	CAUTION LABEL	1	PC.
123			191D69-0	BRUSH COMPLETE SET	1	PC.
124			140S28-1	CASTER 75 COMPLETE	2	PC.
ACCESSORIES				- Visit www.makita.ca for more accessories information -		
A01			191D65-8	LONG SASH NOZZLE SET	1	PC.
A02			191D67-4	ROUND BRUSH SET	1	PC.
A03			450128-8	BATTERY COVER	1	PC.
A04			-----	BATTERY CHARGER	1	PC.
A05			-----	18V LI-ION BATTERY	1	PC.