



Specification Information

Product Code: 169

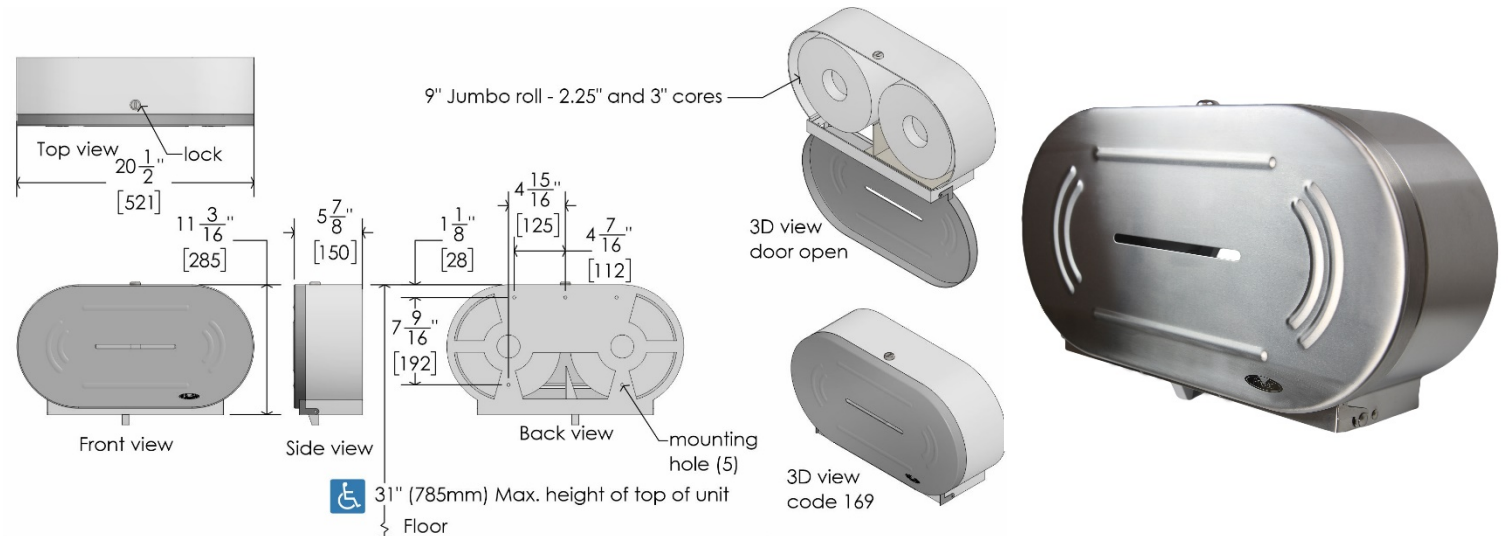
Product Name: Universal Jumbo Double Toilet Tissue Dispenser

Individual Carton UPC: 624622169008

Individual Carton Shipping Dimensions: 33.0cm H x 53.3cm W x 16.5cm D (13" H x 21" W x 6 1/2" D)

Individual Carton Shipping Weight: 4.3 kg (9.5 lbs)

Site Location: Frost's 169 universal jumbo double toilet tissue dispenser offers a durable and practical solution for high volume areas. Typically, the dispenser is used in schools/universities, restaurants, malls, office buildings, condominiums, fitness facilities, and recreation centres. The product's ease of use and high capacity make it a popular choice in high volume locations.



Features:

- Spring loaded access tray locks into position only allowing access to one roll at a time
- Non-proprietary dispenser which can lead to cost savings for end users and property managers
- Easily accessible front loading
- Comes standard with keyed tumbler lock to reduce pilferage
- Durable 18 gauge stainless steel front door

Dispensing: This product dispenses toilet paper manually through the bottom of the unit. The dispenser is also universal; meaning, the unit is non-proprietary and dispenses paper from standard commercial paper producers. This allows the end user to avoid getting locked into paper supply contracts and should save them money on their janitorial supplies. To load this product, unlock and swing down the front cover. Place one or two jumbo toilet paper rolls on the exposed plastic holders. When the door is open the access tray will return to the original left side position. Pull the lid back up and lock.

Capacity:

- This dispenser accepts two jumbo toilet tissue rolls with a maximum diameter of 22.9cm (9") and a spindle diameter of 5.7cm (2 1/4") to 7.6cm (3").

Materials:

- Front: Drawn 18 gauge type 304 stainless steel, brushed finish
- Back: High density plastic

Frost Products Ltd

5276 John Lucas Drive
Burlington, ON, Canada, L7L5Z9

(905) 332-5700
1-800 667-5094

info@frostproductsltd.com
www.frostproductsltd.com



Specification Information

Product Dimensions:

- 28.5cm H x 52.0cm W x 15.0cm D (11.2" H x 20.5" W x 5.9" D)

Product Weight:

- 3.9 kg (8.5 lbs)

Installation Guidelines: For unrestricted access, bottom of the unit to floor must be between 38.1cm to 121.9cm (15" to 48"). This dispenser comes with four standard combination style screws. Mark mounting holes against the mounting surface using a pencil and level. Use a screwdriver or power drill to drill screws in the desired mounting surface and attach the dispenser. Please note that it is recommended that all installations be conducted by a qualified tradesperson. Please read and follow any additional installation guidelines provided with the products.

Maintenance: Normal preventative maintenance and cleaning will keep Frost products functioning properly and may extend normal product life. Products should be wiped down with a damp soft cloth periodically. Approved stainless steel cleaner may be used to clean scuffs or fingerprints on stainless surfaces. Do not use harsh detergents or chemical cleaners. For stainless steel please do not spray with any product containing bleach, acids, or chlorides, which can be found in many cleaning products such as toilet bowl cleaners. Use of these cleaning solutions may cause discoloration and if used for prolonged periods of time they can eat away at points in the stainless steel. If discoloration occurs, the use of an approved stainless steel cleaner and a firmer scrub pad, such as a Scotch Brite Pad #7447, may remove the markings. Wipe away any debris from the area and gently rub with the pad. Then spray the area with a stainless steel cleaner/polish and rinse and dry. Always wipe with the grain direction for stainless steel products. If a cleaning agent has begun to eat away at the steel on a unit then the unit will likely need to be replaced. The stainless steel that Frost Products uses is of high quality and stainless steel is resistant to rust. However, discoloration that appears to be rust can be caused by cleaning solutions and soaps mentioned above. It is important to discontinue use of any cleaning agent or soap if discoloration begins to occur. Clean off the discoloration as quickly as possible to avoid any permanent damage to the unit. Maintenance staff should be taught how to recognize the signs that they are not using the appropriate cleaning products and how to correctly maintain stainless steel items.

Warranty: If any product or part proves to be defective within 12 months from date of shipment from the factory it will be repaired or replaced without any charge including freight costs when authorized. Costs resulting from the installation or removal of defective products are not covered under this warranty. Discoloration to stainless steel parts resulting from exposure to harsh environmental and / or chemicals are not considered to be defects in workmanship or material and are not covered under warranty.