



# Specification Information

**Product Code:** 195

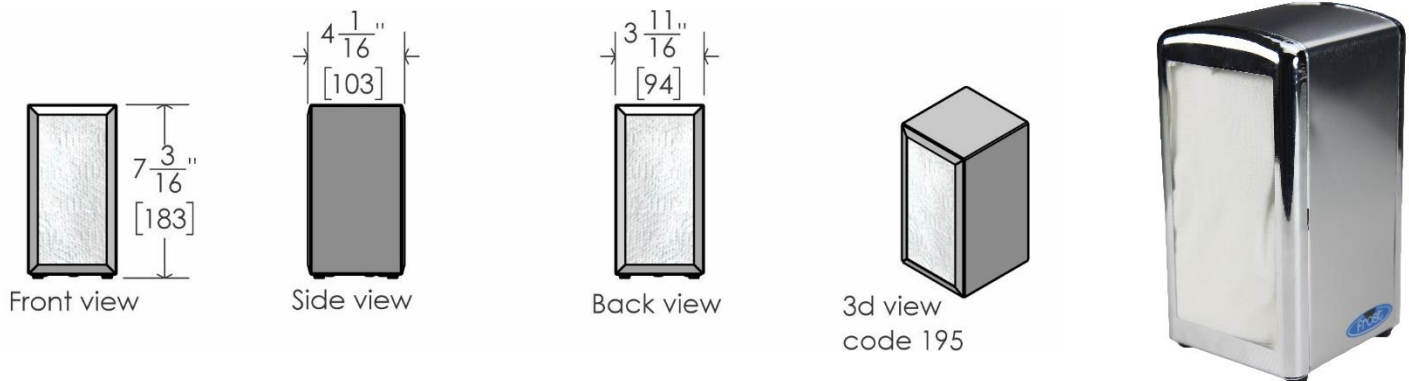
**Product Name:** Table Napkin Dispenser

**Individual Carton UPC:** 624622195014

**Individual Carton Shipping Dimensions:** 10.2cm W x 20.3cm H x 12.7cm D (4" W x 8" H x 5" D)

**Individual Carton Shipping Weight:** 0.7 kg (1.5 lb)

**Site Location:** Frost's 195 table napkin dispenser offers a durable and practical solution for many site locations. This economical dispenser suits institutional and commercial applications. Typically, the dispenser is used in schools/universities, restaurants, malls, and office buildings. The durable construction and ease of use of this unit make it a popular choice.



## Features:

- Straightforward design makes this product user friendly and also reduces the risk of product malfunction
- Non-proprietary dispenser which can lead to cost savings for end users and property managers
- Spring loaded pressure plates provide consistent dispensing of napkins
- Dual sided dispensing
- Rubber feet to protect countertops

**Dispensing:** This product dispenses table napkins manually from either side of the unit. The dispenser is also universal; meaning, the unit is non-proprietary and dispenses paper from standard commercial paper producers. This allows the end user to avoid getting locked into paper supply contracts and should save them money on their janitorial supplies. To load this product, manually insert napkins from either side of the unit.

## Capacity:

- Will accept all standard napkins

## Materials:

- Cold rolled iron with chrome plating, electrolytic iron plate, and tinfoil with rubber feet

## Product Dimensions:

- 10.4cm W x 18.3cm H x 9.4cm D (4.1" W x 7.2" H x 3.7" D)

## Product Weight:

- 0.5 kg (1 lb)

Frost Products Ltd  
5276 John Lucas Drive  
Burlington, ON, Canada, L7L5Z9

(905) 332-5700  
1-800 667-5094

info@frostproductsltd.com  
www.frostproductsltd.com



## *Specification Information*

**Maintenance:** Normal preventative maintenance and cleaning will keep Frost products functioning properly and may extend normal product life. Products should be wiped down with a damp soft cloth periodically. Approved stainless steel cleaner may be used to clean scuffs or fingerprints on stainless surfaces. Do not use harsh detergents or chemical cleaners. For general dirt and blemishes on painted steel or plastic use warm water and mild soap, or a general mild cleaning solution. When using any type of cleaning solution, spray onto a discrete area to test before full usage. After the cleaning agent is applied, wipe off with a clean soft cloth or sponge.

**Warranty:** If any product or part proves to be defective within 12 months from date of shipment from the factory it will be repaired or replaced without any charge including freight costs when authorized. Costs resulting from the installation or removal of defective products are not covered under this warranty. Discolouration to stainless steel parts resulting from exposure to harsh environmental and / or chemicals are not considered to be defects in workmanship or material and are not covered under warranty.