



Specification Information

Product Code: 303

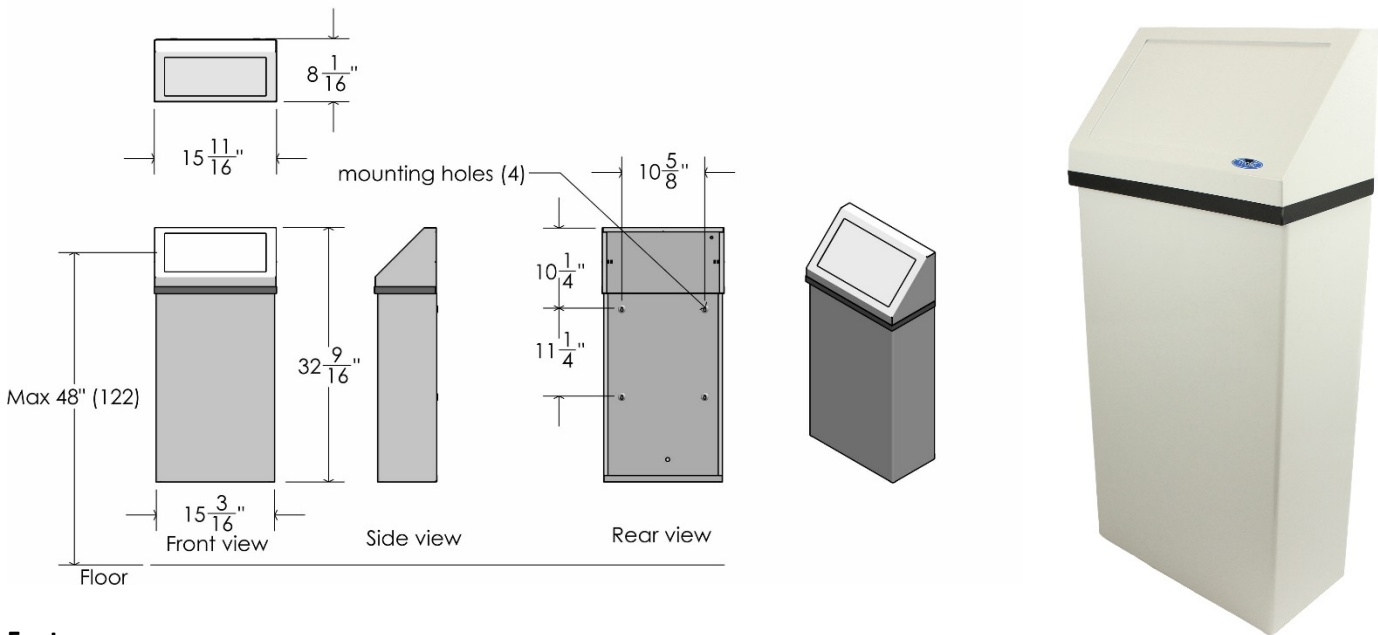
Product Name: Wall Mounted Waste Receptacle with Galvanized Liner

Individual Carton UPC: 624622303006

Individual Carton Shipping Dimensions: 21.0cm H x 64.7cm W x 41.9cm D (8 ¼" H x 25 ½" W x 16 ½" D)

Individual Carton Shipping Weight: 11.6 kg (25.5 lbs)

Site Location: Frost's 303 series waste receptacles are industry standards and can be used in practically any application. Typically, the disposals are used in schools/universities, restaurants, malls, office buildings, condominiums, fitness facilities, and recreation centres. The product's all steel construction makes it a popular choice for areas requiring maximum fire protection and durability.



Features:

- Wall mounted to conserve floor space
- Tight sealing lid and spring-loaded door promote oxygen starvation
- Comes with galvanized liner for additional fire protection
- Easy to clean and maintain
- All welded construction of 22 gauge Canadian steel, lid is 20 gauge steel
- Recommended bag size: 66.0 cm x 91.4 cm (26" x 36")

Capacity:

- The waste receptacle has a total capacity of 50 litres (13.2 US gal, 11 Imp. gal)

Materials:

- Body: 22 gauge cold rolled steel, white epoxy finish
- Lid: 20 gauge cold rolled steel, white epoxy finish

Product Dimensions:

- 82.8cm H x 39.9cm W x 20.6cm D (32.6" H x 15.7" W x 8.1" D)
- Height of waste receptacle without the lid is 62.9cm (24.75")

Frost Products Ltd

5276 John Lucas Drive
Burlington, ON, Canada, L7L5Z9

(905) 332-5700
1-800 667-5094

info@frostproductsltd.com
www.frostproductsltd.com



Specification Information

Product Weight:

- 10.9 kg (24 lbs)

Maintenance: Normal preventative maintenance and cleaning will keep Frost products functioning properly and may extend normal product life. Products should be wiped down with a damp soft cloth periodically. Approved stainless steel cleaner may be used to clean scuffs or fingerprints on stainless surfaces. Do not use harsh detergents or chemical cleaners. For general dirt and blemishes on painted steel or plastic use warm water and mild soap, or a general mild cleaning solution. When using any type of cleaning solution, spray onto a discrete area to test before full usage. After the cleaning agent is applied, wipe off with a clean soft cloth or sponge.

Warranty: If any product or part proves to be defective within 12 months from date of shipment from the factory it will be repaired or replaced without any charge including freight costs when authorized. Costs resulting from the installation or removal of defective products are not covered under this warranty. Discolouration to stainless steel parts resulting from exposure to harsh environmental and / or chemicals are not considered to be defects in workmanship or material and are not covered under warranty.