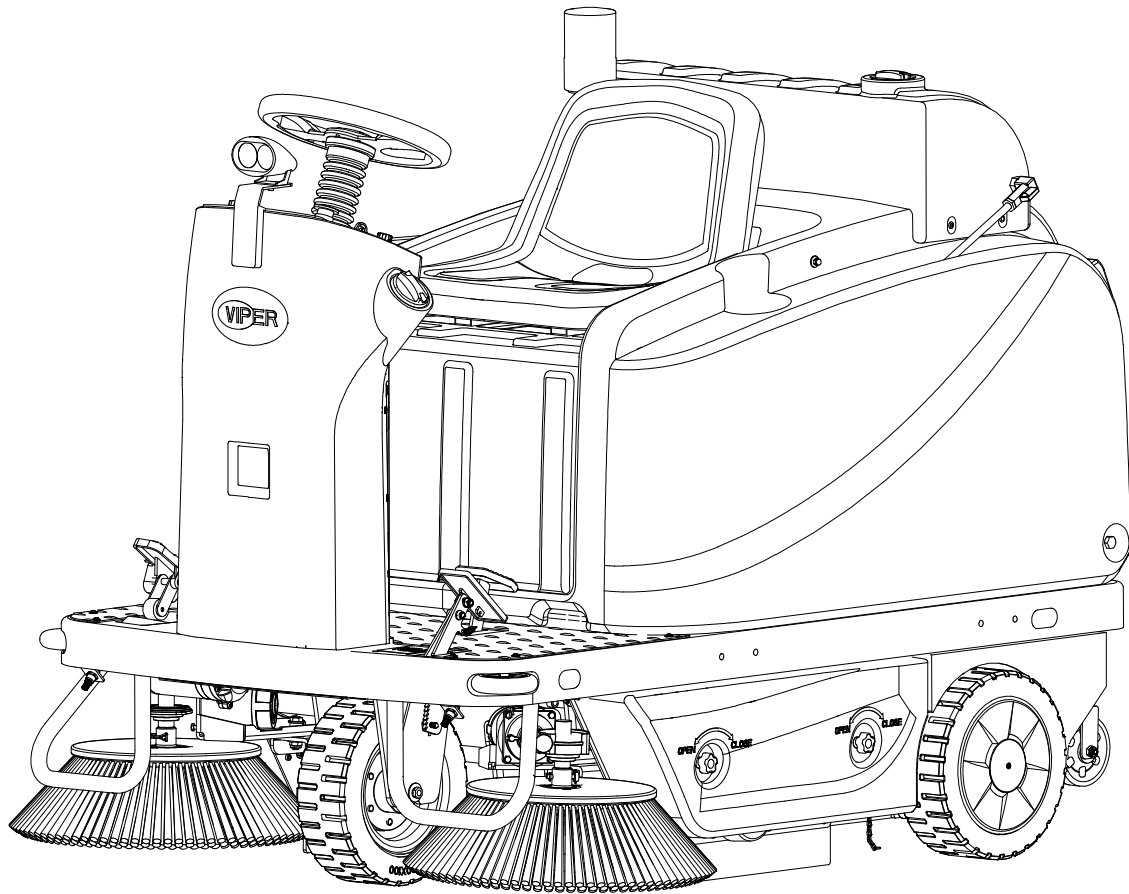


# ROS1300

## INSTRUCTION FOR USE



Model No.: 50000606  
55940921 / Rev. A / JUNE 2021  
Original instructions





## FCC Supplier's Declaration of Conformity

### 47 CFR § 2.1077 Compliance Information

**Unique Identifier:** FC - Floor Scrubber/Sweeper - Battery

**Type:** ROS1300

**Responsible Party – U.S. Contact Information:**

Nilfisk, Inc  
9435 Winnetka Ave N  
Brooklyn Park  
Minnesota  
MN-55442  
USA

[www.nilfisk.com](http://www.nilfisk.com)

**FCC Compliance Statement**

This device complies with part 15 of the FCC rules. Operation is subject to the following two conditions: (1) This device may not cause harmful interference, and (2) this device must accept any interference received, including interference that may cause undesired operation. Users are not permitted to make changes or modify the device in any way. Changes or modifications not expressly approved by Nilfisk, Inc. will void the users authority to operate the equipment.

Brooklyn Park  
Oct 15, 2021

A handwritten signature in black ink that reads "Jamie O'Neill". The signature is written in a cursive, flowing style.

Jamie O'Neill  
Senior Vice President, USFC Sales, EMEA Americas Sales



## IC Supplier's Declaration of Conformity

### ICES-Gen

**Unique Identifier:** FC - Floor Scrubber/Sweeper - Battery

**Type:** ROS1300

**Responsible Party – Contact Information:**

Nilfisk Canada Company  
240 Superior Boulevard  
Mississauga  
Ontario  
L5T 2L2  
Canada

[www.nilfisk.com](http://www.nilfisk.com)

**IC Compliance Statement**

This device complies with Industry Canada ICES-003. Operation is subject to the following two conditions:  
(1) This device may not cause harmful interference, and (2) this device must accept any interference received, including interference that may cause undesired operation.

Mississauga  
Oct 15, 2021

A handwritten signature in black ink, appearing to read "Surtel", written over a light grey horizontal line.

Steven Surtel  
General Manager

## TABLE OF CONTENTS

<b>ENGLISH</b>	<b>INSTRUCTION FOR USE .....</b>	<b>1-28</b>
<b>FRANÇAIS</b>	<b>INSTRUCTIONS D'UTILISATION .....</b>	<b>29-56</b>
<b>ESPAÑOL</b>	<b>INSTRUCCIONES DE USO .....</b>	<b>57-84</b>

## TABLE OF CONTENTS

<b>INTRODUCTION</b> .....	<b>2</b>
GUIDE PURPOSE AND CONTENTS.....	2
HOW TO KEEP THIS INSTRUCTION FOR USE.....	2
ACCESSORIES AND MAINTENANCE.....	2
CHANGE AND IMPROVEMENT.....	2
SCOPE OF APPLICATION.....	2
MACHINE IDENTIFICATION DATA.....	2
TRANSPORT AND UNPACKING.....	3
<b>SAFETY</b> .....	<b>3</b>
VISIBLE SYMBOLS ON MACHINE.....	3
SYMBOLS THAT APPEAR ON THE INSTRUCTION FOR USE.....	3
GENERAL SAFETY INSTRUCTION.....	4
<b>MACHINE DESCRIPTION</b> .....	<b>6</b>
MACHINE STRUCTURE.....	6
CONTROL PANEL.....	8
WORKING MODE DESCRIPTION.....	9
ACCESSORIES.....	10
TECHNICAL DATA.....	11
WIRING DIAGRAM.....	12
<b>OPERATING GUIDE</b> .....	<b>13</b>
BATTERY CHECK/SETTING ON A NEW MACHINE.....	13
BATTERY INSTALLATION AND BATTERY TYPE SETTING (WET /GEL/ AGM/ DIS/EXI/FUL/OPT/ENE(TPPL)).....	14
BEFORE MACHINE START-UP.....	15
STARTING AND STOPPING THE MACHINE.....	16
PARKING BRAKE.....	17
MACHINE OPERATION.....	17
HOPPER DUMPING.....	18
SIDE BROOM INSTALLATION.....	18
WATER SPRAY FLOW SETTING.....	19
AFTER USING THE MACHINE.....	19
PUSHING/TOWING THE MACHINE.....	19
MACHINE STORAGE DURING LONG INACTIVITY.....	20
FIRST PERIOD OF USE.....	20
<b>MAINTENANCE</b> .....	<b>20</b>
SCHEDULED MAINTENANCE TABLE.....	20
BATTERY CHARGING.....	21
MAIN BROOM HEIGHT CHECK AND ADJUSTMENT.....	22
MAIN BROOM REPLACEMENT.....	23
SIDE BROOM HEIGHT CHECK AND ADJUSTMENT.....	24
DUST FILTER CLEANING AND INTEGRITY CHECK.....	25
BLADE HEIGHT AND OPERATION CHECK.....	26
WHEEL CHAIN CHECK AND ADJUSTMENT.....	27
<b>TROUBLESHOOTING</b> .....	<b>27</b>
<b>ERROR CODE OF DISPLAY <u>app: detail</u></b> .....	<b>28</b>
<b>SCRAPPING</b> .....	<b>28</b>

**INTRODUCTION**



**NOTE**  
The numbers in brackets refer to the components shown in Machine Description chapter.

**GUIDE PURPOSE AND CONTENTS**

The purpose of this instruction for use is to provide the operator with all basic information and technical characteristics, operation, machine inactivity, spare parts, and safety conditions etc.  
Before performing any procedure on the machine, the operators and qualified technicians must read the Instruction for Use manual. Contact our company in case of doubts concerning the interpretation of the instructions or for any further information.

**HOW TO KEEP THIS INSTRUCTION FOR USE**

The Instruction for Use must be kept near the machine, inside an adequate case, away from liquids and other substances that can cause any damage to it.

**ACCESSORIES AND MAINTENANCE**

All the necessary operation, maintenance and repair procedures must be made by qualified personnel, or our company appointed repair center. ONLY original or approved spare parts and accessories can be used.  
Contact our company’s customer service for any service or purchase of accessories or spare parts if necessary.

**CHANGE AND IMPROVEMENT**

We are committed to continuous improvement of our products, and the company reserves the right to machine changes and improvements without additional information.

**SCOPE OF APPLICATION**

The machine applies to commercial and industrial use. It is suitable for cleaning smooth and solid floor, being operated by qualified personnel in safe circumstances.

**MACHINE IDENTIFICATION DATA**

The machine serial number and model name are marked on the serial label.  
This information is useful. Use the following table to write down the machine identification data when requiring spare parts for the machine.

MACHINE MODEL.....
MACHINE SERIAL NUMBER.....

## TRANSPORT AND UNPACKING

When the carrier delivers the machine, make sure the packaging and machine are both whole and undamaged. If any damage is observed, inform the carrier of the damage before accepting the goods, to reserve the right to compensation for the damage.

Follow the instructions on packing strictly when unpacking the machine.

Check the package to ensure following items are included:

1. Technical documentation - Instruction for Use
2. Battery connection components
3. On-board charger manual (if installed) (\*)

## SAFETY

The following symbols indicate potentially dangerous situations. Always read this information carefully and take all necessary precautions to safeguard people and property.

### VISIBLE SYMBOLS ON MACHINE



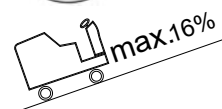
**WARNING!**

Read all the instructions carefully before performing any operation on the machine.



**WARNING!**

Do not wash the machine with direct or pressurized water jets.



**WARNING!**

Do not use the machine to work on slopes with a gradient exceeding that is defined in the specifications section.

### SYMBOLS THAT APPEAR ON THE INSTRUCTION FOR USE



**DANGER!**

It indicates a dangerous situation with risk of death for the operator.



**WARNING!**

It indicates a potential risk of injury for people.



**CAUTION!**

It indicates a caution, or a remark related to important or useful functions.  
Pay attention to the paragraphs marked by this symbol.



**NOTE**

It indicates a remark related to important or useful functions.



**CONSULTATION**

It indicates the necessity to refer to the Instruction for Use manual before performing any procedure.

## GENERAL SAFETY INSTRUCTION

Specific warnings and cautions to inform about potential damages to people and machine are shown below.



### DANGER!

- This machine must be operated by trained and authorized personnel according to guidance of the manual.
- Before performing any cleaning, maintenance, repair, or replacement procedure, read all the instructions carefully, ensure the machine is OFF and disconnect the battery connector.
- Do not operate the machine near toxic, dangerous, flammable and/or explosive powders, liquids, or vapor. This machine is not suitable for collecting dangerous powders.
- Do not wear jewelry when working near electrical components.
- Do not work under the lifted machine without supporting it with safety stands.
- When using lead (WET) batteries, they may emit inflammable gas under normal use, you must keep sparks, flames, smoking materials and radiating, illuminating, and burning items away from the batteries.
- When charging lead (WET) batteries, they may emit hydrogen gas which may cause an explosion. You must ensure the charging environment is well ventilated and away from flames.



### WARNING!

- This machine is intended for **COMMERCIAL USE**, for example in hotels, schools, hospitals, factories, shops, and rental businesses etc.
- Machines left unattended shall be secured against unintentional movement.
- To prevent unauthorized use of the machine, the power source shall be switched off or locked, for example by removing the key to the main switch or the ignition key.
- Check the machine carefully before each use. Ensure that all the components have been well assembled. Loose components may cause damage to people and properties.
- Never move the machine by pulling the battery charger cable. Do not pass the cable through a closed door or wind the cable around sharp edges or corners. Do not run the machine over the battery charger cable. Keep the battery charger cable away from heated surfaces.
- Do not charge the batteries if the battery charger cable or the plug are damaged.
- To reduce the risk of fire, electric shock, or injury, do not leave the machine unattended when it is charging. Before performing any maintenance procedure, disconnect the battery charger cable from the electrical mains.
- The machine storage and working temperature must be between 0 °C and +40 °C, the humidity of air must be between 30% - 95%.
- Do not use the machine on slopes with a gradient exceeding the specifications shown.
- Use brooms supplied with the machine or defined in the manual. Using other brooms could reduce safety.
- In case of machine malfunctions, ensure that these are not due to lack of maintenance. If necessary, request assistance from the authorized personnel or from an authorized Service Center.
- Take all necessary precautions to prevent hair, jewelry, and loose clothes from being caught by the machine moving parts.
- Do not wash the machine with direct or pressurized water jets, or with corrosive substances.
- Do not bump into shelves or scaffoldings, especially where there is a risk of falling objects.
- Do not lean liquid containers on the machine, use the relevant can holder.
- To avoid damaging the floor, do not allow the broom to operate while the machine is stationary.
- In case of fire, use a dry powder fire extinguisher. Do not use liquid fire extinguishers.
- Do not remove or modify the machine labels.
- Do not tamper with the machine safety guards and follow the scheduled maintenance instructions closely.
- Pay attention during machine transportation when temperature is below freezing point. The water in the solution tank and in the hoses could freeze and cause serious damage to the machine.

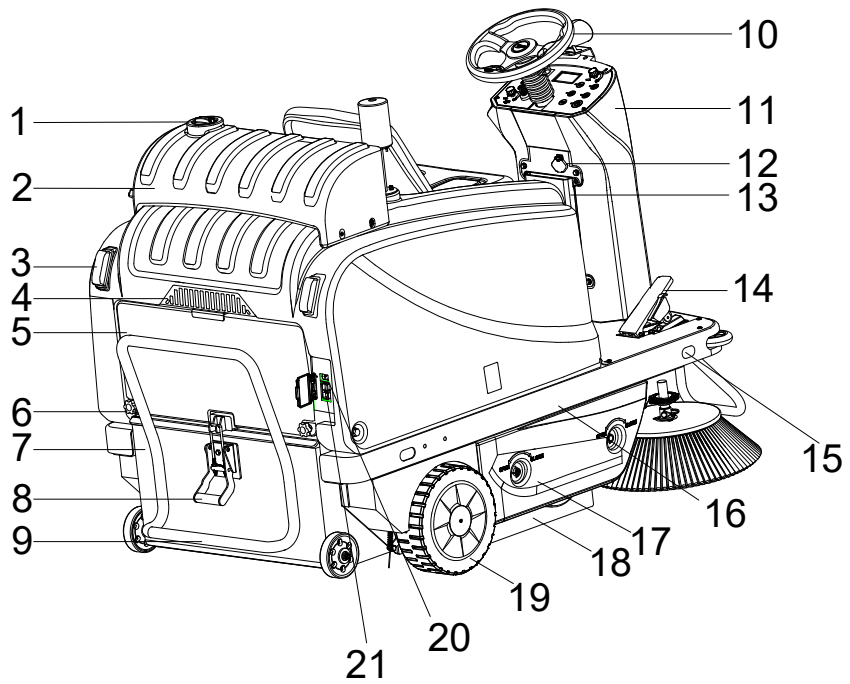


- If spare parts need be replaced, order **ORIGINAL** spare parts from an Authorized Dealers or Retailers.
- Return the machine to the Service Center if it doesn't work as usual or is damaged.
- To ensure machine proper and safe operation, the scheduled maintenance shown in the relevant chapter of this manual, must be performed by the authorized personnel or an authorized Dealer or Retailer.
- The machine must be properly disposed of, due to the presence of toxic-harmful materials (batteries, etc.), which are subject to standards that require disposal in special centers (see Scrapping chapter).
- This machine is a cleaning tool only and is not intended for any other purpose.
- Always keep the openings free from dust, hairs and any other foreign material which could reduce the air flow. Do not use the machine if the openings are clogged.
- Use the machine only where proper lighting is provided.
- Front light must be used only to enhance visibility on the floor to be cleaned, but it does not authorize anyone to use the machine in dark environments.
- This machine is not intended for use by persons (including children) with reduced physical, sensory, or mental capabilities, or lack of experience and knowledge.
- Close attention is necessary when used near children.
- Children should be supervised to ensure that they do not play with the machine.
- While using this machine, take care not to cause damage to people or objects.
- Operators shall be adequately instructed on the use of this machine.
- Do not use the machine without a falling object protective structure (FOPS) in areas where it is likely that the operator could be hit by falling objects.
- Always protect the machine against rain, and bad weather, under both operating and inactivity conditions. Store the machine indoors, in a dry environment: this machine must be used in dry conditions and must not be used or kept outdoors in wet conditions.
- Adjust the operation speed to suit the floor conditions.
- Avoid sudden stops and drive at low speed when the machine goes downhill. Avoid sharp turns.
- This machine cannot be used on roads or public streets.

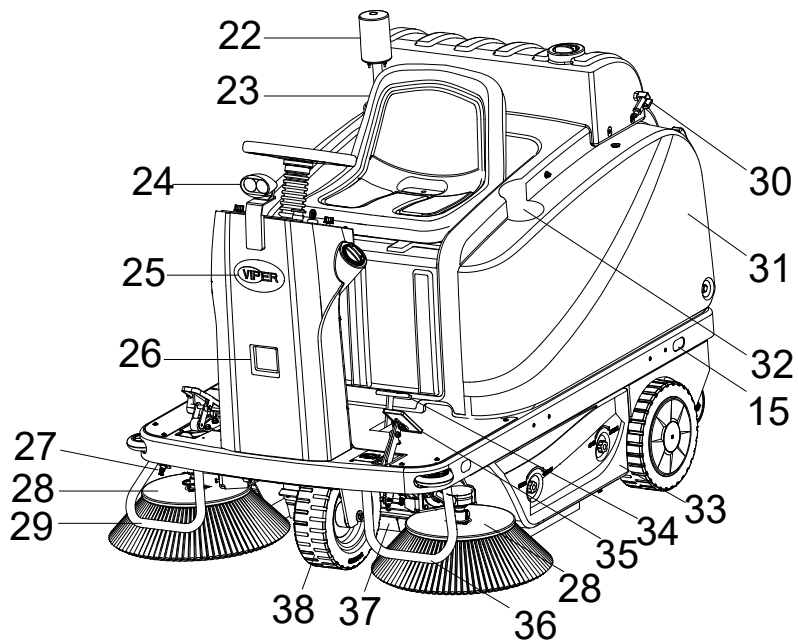
**MACHINE DESCRIPTION**

**MACHINE STRUCTURE**

1. Tank cover
2. Solution tank (\*)
3. Turn indicator
4. Air outlet bracket
5. Filter compartment cover
6. Knurled knob
7. Hopper
8. Latch
9. Hopper rear wheel
10. Steering wheel
11. Solution tank
12. USB charging port
13. Phone bag
14. Accelerator pedal
15. Machine lift anchor
16. Chassis
17. Right cover
18. Side blade
19. Drive wheel (with mechanical brake)
20. On-board charger plug (\*)
21. External charger connector
22. Warning light
23. Adjustable seat (with safety switch)
24. Blue light (\*)
25. Logo label
26. Headlight
27. Spray nozzle
28. Side broom
29. Right bumper
30. Solution valve
31. Cover
32. Cup holder
33. Left cover
34. Flap pedal
35. Parking brake
36. Left bumper
37. Front blade
38. Front wheel



**Figure 1**



**Figure 2**

- 39. On-board charger (\*)
- 40. Main broom adjuster
- 41. Hood support cable
- 42. Circuit breaker box
- 43. Battery connector
- 44. Battery (\*)
- 45. Battery tray
- 46. Main broom

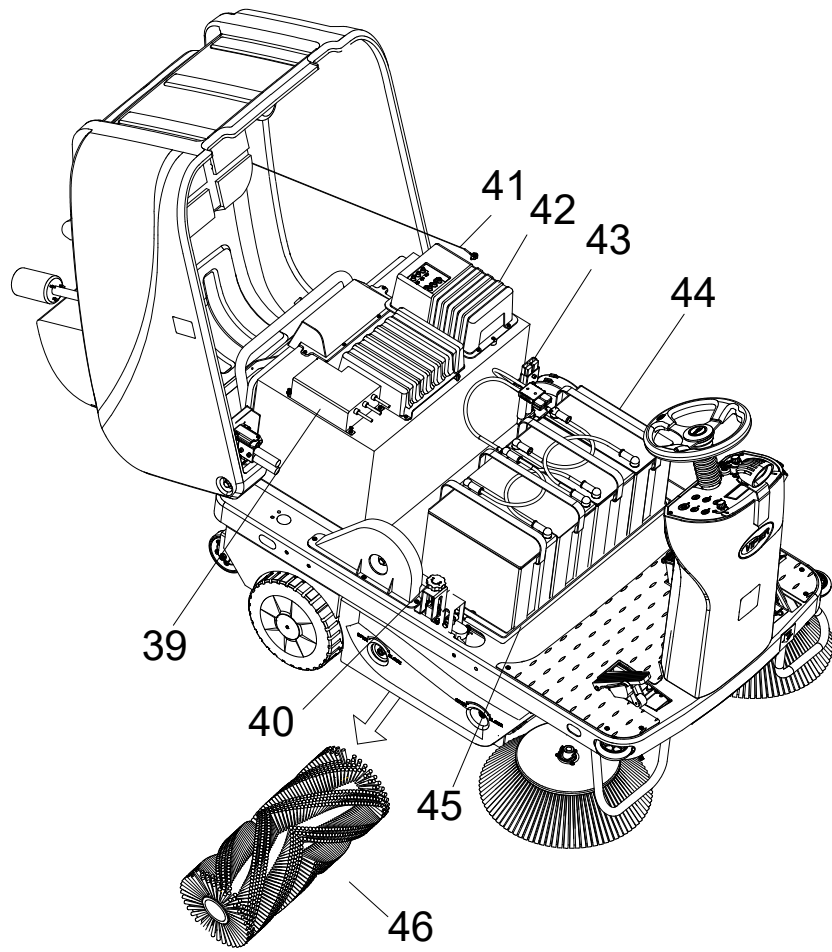
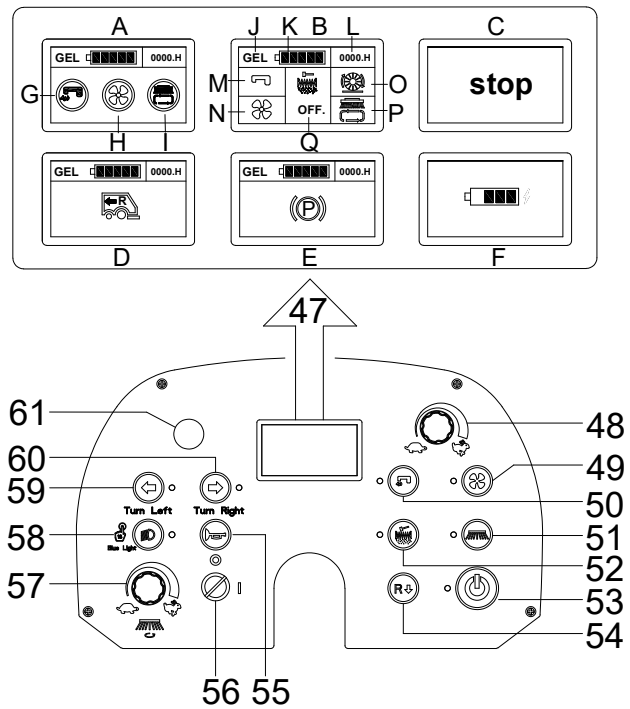


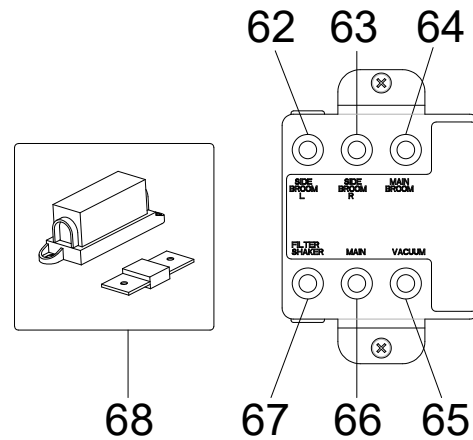
Figure 3

**CONTROL PANEL**

- 47. Multifunction display  
Items displayed:  
A) Pump/Vacuum motor/Side-broom separate running mode  
B) One-button start mode  
C) Safety stop mode (seat safety switch off)  
D) Reverse mode  
E) Braking/parking mode  
F) Battery charging mode  
G) Pump working  
H) Vacuum motor working  
I) Side broom working  
J) Battery type  
K) Battery level  
L) Runtime (Hour meter)  
M) Pump off-working  
N) Vacuum motor working  
O) Main broom working  
P) Side broom working  
Q) Filter shaker off-working
- 48. Speed adjusting knob
- 49. Vacuum button  
· Turn on/off the vacuum motor
- 50. Pump button  
· Turn on/off the pump
- 51. Side broom button  
· Turn on/off the side broom
- 52. Filter shaker button  
· Turn on/off the filter shaker  
· Press for 1 second to switch to Auto cleaning mode (LED of filter shaker flashes) and press for 1 second again to exit.
- 53. One-button start button  
· Turn on/off all vacuum motor, main broom and side brooms
- 54. Forward-reverse button
- 55. Horn button
- 56. Ignition key (I=ON, O=OFF)
- 57. Side broom speed adjusting knob
- 58. Headlight button  
· Turn on/off the headlight  
· Press for 1 second to turn on/off the blue light (if equipped)
- 59. Left-turn indicator button
- 60. Right-turn indicator button
- 61. Emergency stop button
- 62. F8 side broom (L) motor circuit breaker (10A)
- 63. F9 side broom (R) motor circuit breaker (10A)
- 64. F7 main broom motor circuit breaker (30A)
- 65. F11 vacuum motor circuit breaker (10A)
- 66. F6 main controller circuit breaker (5A)
- 67. F10 filter shaker motor circuit breaker (10A)
- 68. F5 controller power fuse (150A/70VDC)



**Figure 4**

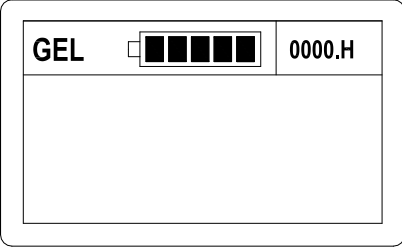
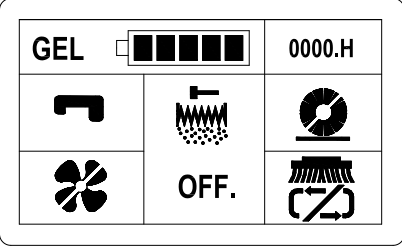
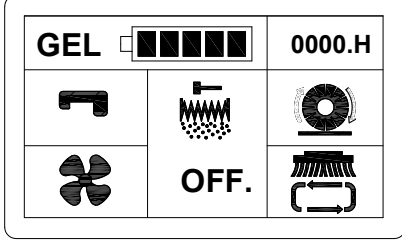
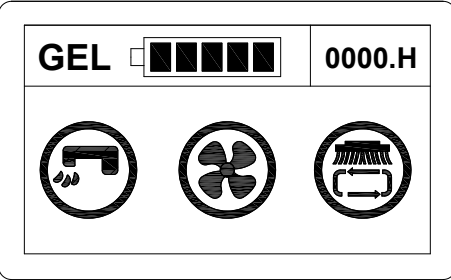
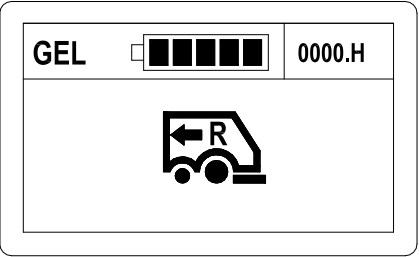


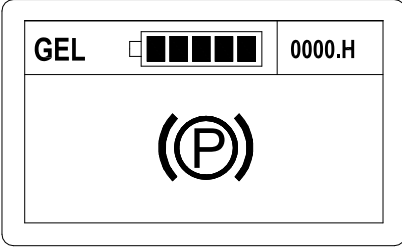

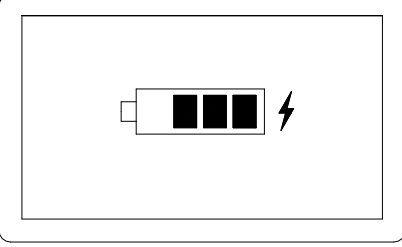
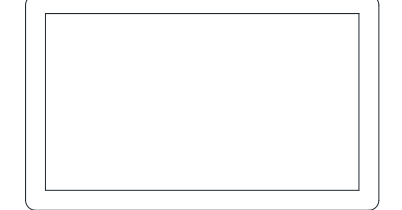
**Figure 5**



**NOTE**  
(Circuit breaker maintenance see Troubleshooting chapter)

## WORKING MODE DESCRIPTION

HOW TO OPERATE	DISPLAY	DESCRIPTION
<b>Standby mode</b>		
<ul style="list-style-type: none"> <li>- Key (56) on</li> <li>- Seat safety switch (23) on</li> <li>- One-button start (53) off</li> </ul>		<ol style="list-style-type: none"> <li>1. The point in the hour meter does not flash.</li> <li>2. LCD only displays battery type, battery level and runtime.</li> <li>3. All pump, vacuum motor, filter shaker, main and side brooms functions are off. (Vacuum motor will be off in several seconds if it is on.)</li> </ol>
<b>One-button start mode</b>		
<ul style="list-style-type: none"> <li>- Key (56) on</li> <li>- Seat safety switch (23) on</li> <li>- One-button start (53) on</li> </ul>		<ol style="list-style-type: none"> <li>1. The point in the hour meter does not flash.</li> <li>2. The tap water drop icon does not display.</li> <li>3. The fan icon does not rotate.</li> <li>4. Filter shaker icon displays "OFF".</li> <li>5. Main and side broom arrow icon does not rotate.</li> </ol>
<ul style="list-style-type: none"> <li>- Key (56) on</li> <li>- One-button start (53) on</li> <li>- Seat safety switch (23) on</li> <li>- Accelerator pedal (32) pressed</li> </ul>		<ol style="list-style-type: none"> <li>1. The point in the hour meter flashes.</li> <li>2. The tap water drop icon does not display.</li> <li>3. The fan icon rotates.</li> <li>4. Filter shaker icon displays "OFF".</li> <li>5. Main and side broom arrow icon rotates.</li> </ol>
<b>Separate running mode</b>		
<ul style="list-style-type: none"> <li>- Key (56) on</li> <li>- Seat safety switch (23) on</li> <li>- One-button start (53) off</li> <li>- Vacuum button (49) / pump button (50) / side broom button (51) / filter shaker button (52) on</li> <li>- Accelerator pedal (32) pressed</li> </ul>		<ol style="list-style-type: none"> <li>1. The point in the hour meter flashes.</li> <li>2. The tap water drop icon flashes.</li> <li>3. The fan icon rotates. (If filter shaker is on, vacuum motor will be off.)</li> <li>4. Side broom arrow icon rotates.</li> </ol>
<b>Reverse mode</b>		
<ul style="list-style-type: none"> <li>- Key (56) on</li> <li>- Seat safety switch (23) on</li> <li>- Forward-reverse button (54) on</li> </ul>		Horn sounds for reverse warning

HOW TO OPERATE	DISPLAY	DESCRIPTION
<b>Braking/parking mode</b>		
<ul style="list-style-type: none"> <li>- Key (56) on</li> <li>- Seat safety switch (23) on</li> <li>- Mechanical parking brake (35) pressed</li> </ul>		Machine stops moving. Other functions remain in their original state.
<b>Safety stop mode</b>		
<ul style="list-style-type: none"> <li>- Key (56) on</li> <li>- Seat safety switch (23) off (Operator leaves the seat of the machine)</li> </ul>		<ol style="list-style-type: none"> <li>1. "STOP" icon alternates with the status bar on the screen.</li> <li>2. All functions are shut down except for horn and light control.</li> </ol>
<b>Charging mode</b>		
<ul style="list-style-type: none"> <li>- Connect charger plug to power supply</li> </ul>		<ol style="list-style-type: none"> <li>1. LCD displays charging status.</li> <li>2. All functions are shut down.</li> </ol>
<b>Power off mode</b>		
<ul style="list-style-type: none"> <li>- Key (56) off</li> <li>- Or emergency stop button (61) on</li> </ul>		<ol style="list-style-type: none"> <li>1. The power is cut off.</li> <li>2. LCD is off.</li> </ol> <p><b>Note: Before turning off the key (56), turn off the one-button start (53) and wait for the broom to rise to the fully up position.</b></p>

## ACCESSORIES

The following accessories are optional:

1. WET/GEL/AGM/TPPL batteries
2. Battery charger
3. Main and side brooms with harder or softer bristles
4. Blue light
5. Overhead guard
6. Rear mounted solution tank

For further information concerning the optional accessories, contact an authorized retailer

## TECHNICAL DATA

Parameter	Value
Machine length	1,680 mm /66.1 Inches
Machine width (without side brooms)	1,055 mm /41.5 Inches
Machine maximum height	1,300 mm /51.2 Inches
Cleaning width (without side brooms)	700 mm /27.6 Inches
Cleaning width (with two side brooms)	1,350 mm /53.1 Inches
Minimum distance from the floor (blades not included)	60 mm/2.4 Inches
Main broom size (diameter x length)	300x700 (mm) / 11.8x27.6 (Inches)
Side broom diameter	500 mm/19.7 Inches
Main broom speed	600 rpm
Side broom speed	0~98 rpm
Front wheel specific pressure on the floor	0.88 N/mm <sup>2</sup>
Rear wheel specific pressure on the floor	0.6 N/mm <sup>2</sup>
Machine weight (without batteries)	361 kg/794.2 Lbs.
Gross vehicle weight (GVW)	688 kg/1516.8Lbs.
Shipping weight	495 kg/1089 Lbs.
Shipping size	1810x1180x1500(mm) / 71.3x46.5x59.1(Inches)
Hopper capacity	130 L/34.3 Gal.
Main broom motor	Input 624 W Output 500 W / Input 0.85 HP Output 0.68 HP
Side broom motors	Input 280 W Output 100 W / Input 0.38 HP Output 0.14 HP
Drive system motor	Input 936 W Output 650 W / Input 1.2 HP Output 0.88 HP
Vacuum system motor	Input 168 W Output 139 W/ Input 0.23 HP Output 0.19 HP
Filter shaker motor	Input 144 W Output 100 W / Input 0.2 HP Output 0.14 HP
Rated Power	2640 W/3.6 HP
Power consumption	950 W/1.3 HP
Sound pressure level at workstation (ISO 11201, ISO 4871) (LpA)	72 ± 3 dB(A)
Machine output acoustic power (ISO 3744, ISO 4871) (LwA)	86 ± 3 dB(A)
Vibration level at the operator's arms (ISO 5349-1) (*)	<2.5 m/s <sup>2</sup>
Vibration level at the operator's body (ISO 2631-1) (*)	<1.5 m/s <sup>2</sup>
IP protection class	IP 24

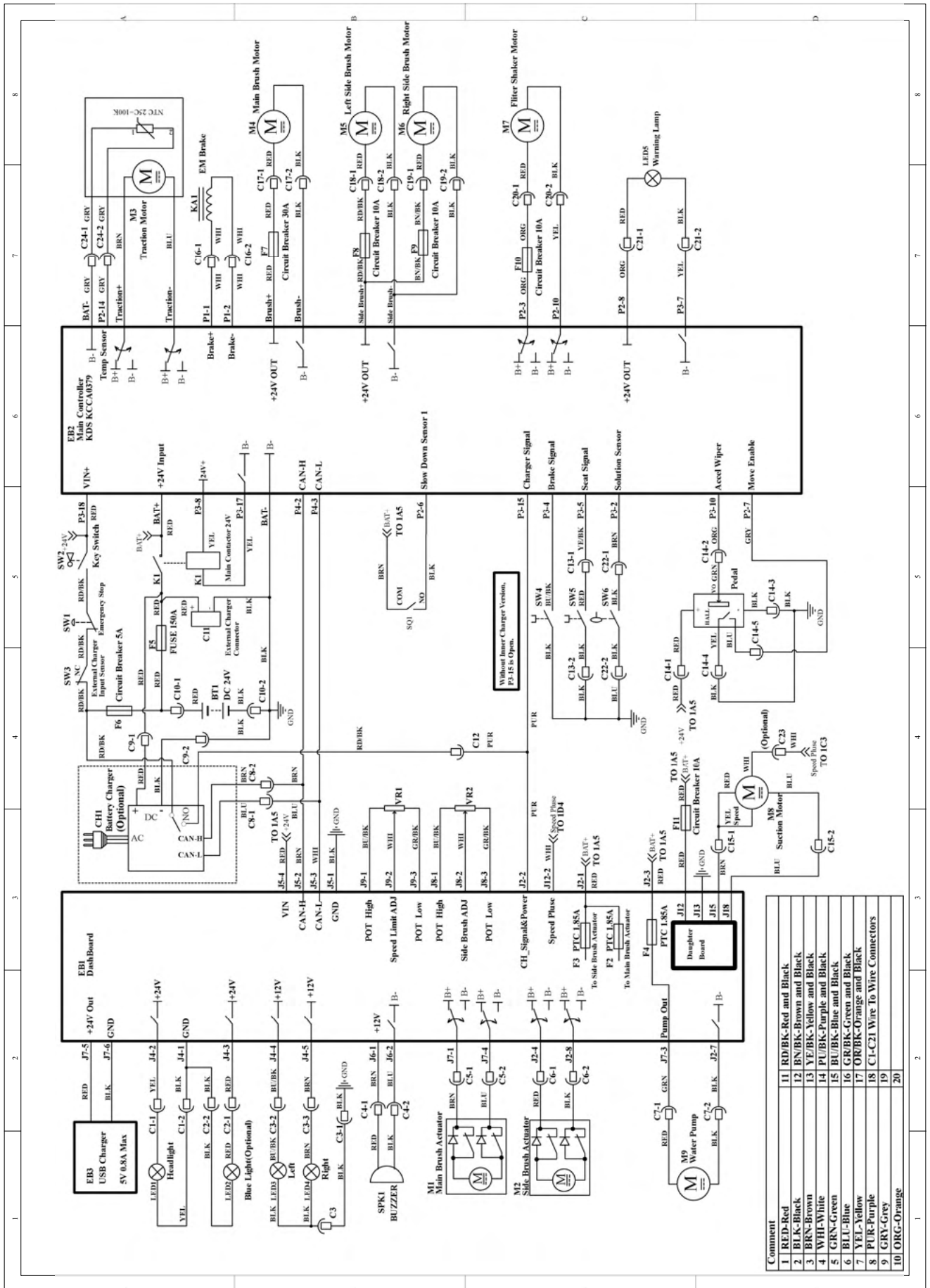
(\*) Under normal working conditions, on a level asphalt surface.

Performance	Value
Maximum forward speed	8 km/h /5 Miles per hour
Maximum reverse speed	4 km/h / 2.5 Miles per hour
Gradeability (transport mode only) Max.	20%
Gradeability (working mode) Max.	16%
Min. turn-around aisle width	2550 mm/100.4 Inches

Battery	Value
Battery voltage	DC 24 V
Battery compartment inner size (length x width x height)	762 x 330 x 370 (mm)/ 30x13x14.6 (Inches)

Vacuuming and filtering	Value
Dust filter	3.5 m <sup>2</sup> / 37.7 ft <sup>2</sup>
Main broom compartment vacuum	8.8 mm H <sub>2</sub> O
Filter shaker	Electric

WIRING DIAGRAM





## OPERATING GUIDE



### WARNING!

On some points of the machine there are some labels indicating:

- DANGER!
- WARNING!
- CAUTION!
- CONSULTATION

While reading this Manual, the operator must pay attention to the symbols shown on the labels. Do not cover these labels for any reason and immediately replace them if damaged.

## BATTERY CHECK/SETTING ON A NEW MACHINE



### WARNING!

The electric components of the machine can be seriously damaged if the batteries are either improperly installed or connected. The batteries must be installed by qualified personnel only. Set battery type using the procedures below according to the type of batteries used (WET or GEL/AGM/DIS/EXI/FUL/OPT/ENE(TPPL)). Check the batteries for damage before installation. Disconnect battery connector and battery charger plug. Handle the batteries with great care. Install the battery terminal protection caps supplied with the machine.



### NOTE

The machine requires four 6V batteries, connected and installed in the positions shown in Figure 6.

### Batteries already installed on the machine

1. Ensure that the battery connector is connected.
2. When first using the machine with new batteries, perform a full charging cycle (see the procedures in Maintenance chapter).

### Without batteries

1. Buy appropriate batteries (see "Technical Data" chapter). For battery choice and installation, contact qualified battery retailers.
2. Set battery type according to the procedures below.

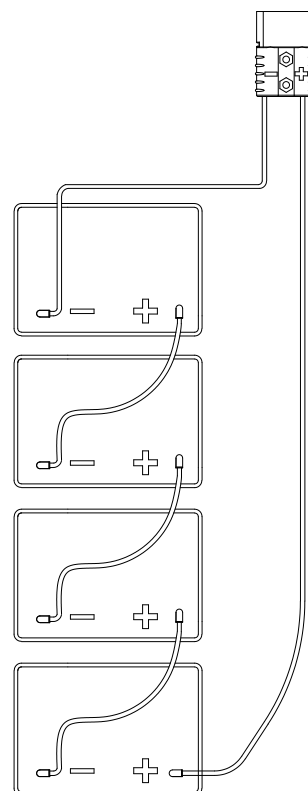


Figure 6

## BATTERY INSTALLATION AND BATTERY TYPE SETTING (WET /GEL/ AGM/ DIS/EXI/FUL/OPT/ENE(TPPL))

### Battery Installation

1. Make sure that the machine is turned off with the ignition key and the parking brake is engaged.
2. Tip back the cover (31, Figure 2) carefully.
3. The machine is equipped with battery cables suitable for installing 4X6V batteries. Carefully put the batteries into the compartment, then install them correctly.
4. Route and install the battery cables as shown in (Figure 6), then carefully tighten the nut on each battery terminal.
5. Place the protection cap on each terminal, and then connect the battery connector to the connector on the machine.
6. Turn back the cover carefully.

### Battery type setting (WET/GEL/AGM/DIS/EXI/FUL/OPT/ENE(TPPL))

#### Access to select battery mode

According to the type of batteries (WET/GEL/AGM/DIS/EXI/FUL/OPT/ENE(TPPL)), set up the machine as follows:

7. Press vacuum button (A, Figure 7) and pump button (B, Figure 7) at the same time.
8. Insert ignition key (C, Figure 7) and turn it to "I".
9. Several seconds later the system enters select battery mode (Figure 7).
10. Release both vacuum button (A, Figure 7) and pump button (B, Figure 7).
11. Press vacuum button (A, Figure 7) and pump button (B, Figure 7) to select battery type (E, Figure 7).
12. Press headlight button (D, Figure 7), about 1 second later the screen displays "Update OK", indicating that battery type is set up, then restart machine. (C, Figure 7).

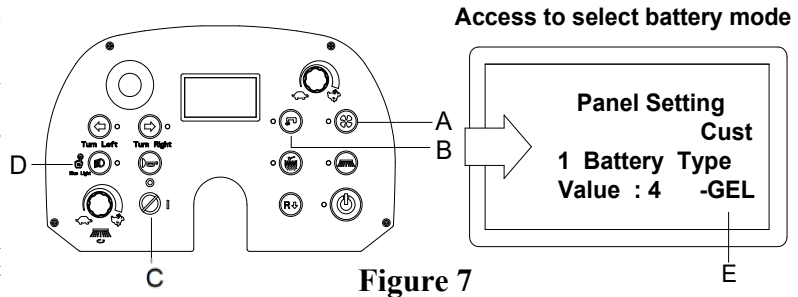


Figure 7

### Battery charging

Fully charge the batteries (see the procedures in Maintenance chapter).

### Battery discharging

1. When the battery icon displays full battery level (G, Figure 8), the batteries are fully charged.
2. When the battery icon displays low battery level (H, Figure 8), the batteries must be charged. Several seconds after the low battery level is displayed, the Main broom/Side broom/Vacuum/Pump/Filter shaker motors are automatically turned off, while the drive system remains on. Drive the machine to the designated charging area to charge immediately.
3. When battery voltage is very low, an error warning "Battery VOL Low" (I, Figure 8) will flash on the screen. Main broom/Side broom/Vacuum/Pump/Filter shaker motors are automatically turned off, and the drive system is also turned off to protect the batteries.

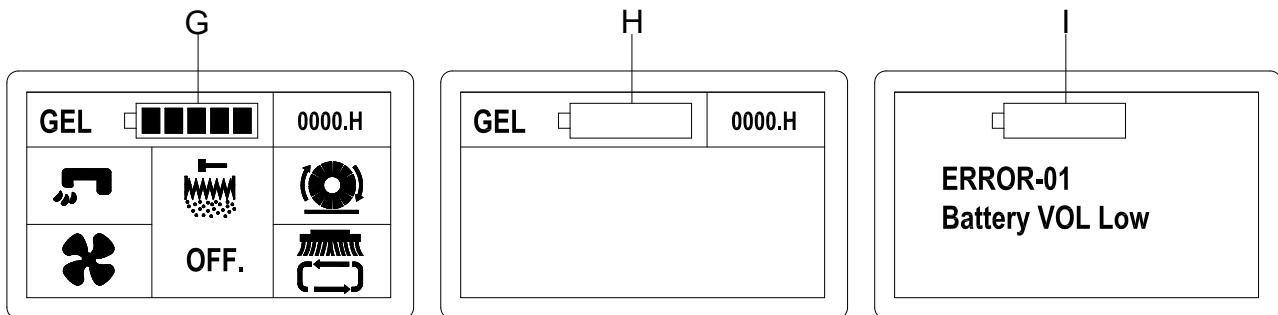


Figure 8

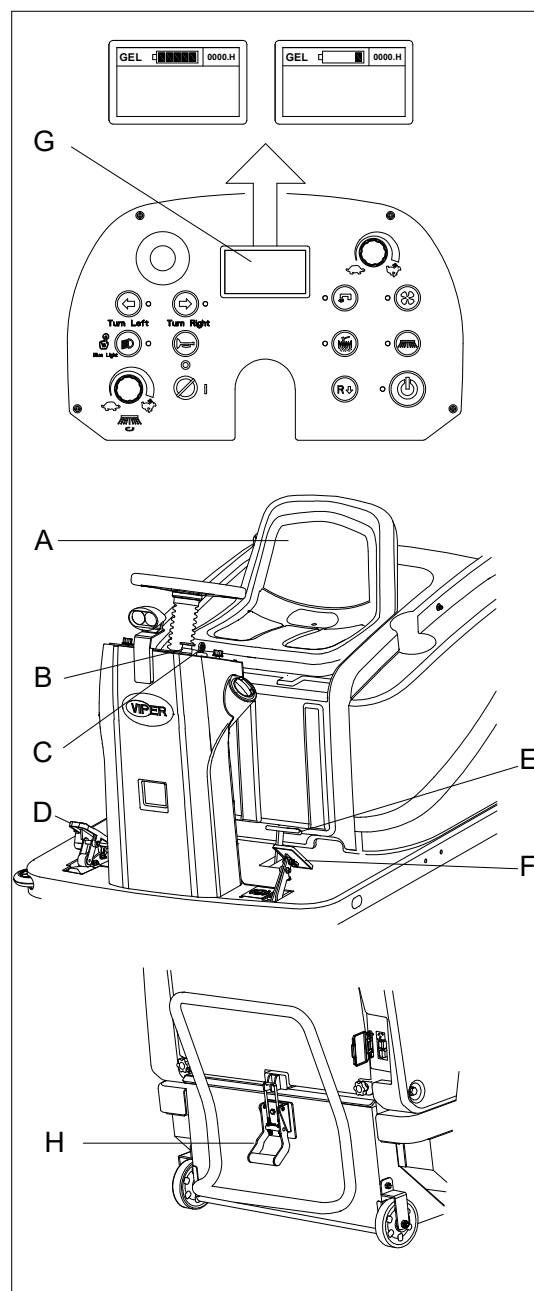
**BEFORE MACHINE START-UP****Checklist**

1. Have a full knowledge of the machine operating controls and their functions.
2. Sit on the seat (A, Figure 9), insert the ignition key (C, Figure 9), and start the machine. (See the procedures in the following paragraph)
3. Check the battery level. If the battery icon on the LCD (G, Figure 9) is of 5 bars, the batteries are fully charged for use. If it is of 1 bar or less, batteries must be charged before operation. (Refer to Maintenance chapter for battery charging)
4. Check the parking brake (F, Figure 9). The brake must hold its setting (locked) firmly without easily being released (report all defects immediately to Nilfisk Service Center).
5. Check the flap pedal (E, Figure 9) for proper operation.
6. Press the accelerator pedal (D, Figure 9) slightly then release it to check if the machine can be steered forward and stopped.
7. To ensure safety, confirm the machine can be stopped immediately when pressing the emergency stop button (B, Figure 9). Turn the emergency stop button to reset it.

**WARNING!**

If the pedal is “spongy” or fades under pressure without an efficient braking force, do not drive the machine (report all defects immediately to Nilfisk Service Center).

8. Make sure that there are no open covers/hoods and that the machine is in normal operating conditions.
9. Make sure that the hopper (H, Figure 9) is properly closed.

**Figure 9****Cleaning planning**

1. Arrange long runs with a minimum of stopping or starting.
2. Allow a small amount of broom path overlap to ensure complete coverage.
3. Avoid making sharp turns, bumping, or scraping the side of the machine.

## STARTING AND STOPPING THE MACHINE

### Preliminary operations

1. Sit on the driver's seat (A, Figure 10) and adjust its position with the lever (C, Figure 10) to allow easy reach of all controls.



#### NOTE

The driver's seat (A, Figure 10) is equipped with a safety sensor, which allows the machine to be driven only when the operator is on the driver's seat.

### Starting the machine

1. Sit on the seat (A, Figure 10), insert the ignition key (J, Figure 10), and turn it to "I".
2. Disengage the parking brake and drive the machine to the working area.
3. Press one-button start button (M, Figure 10) to start the machine, the side brooms and main broom are lowered to the floor automatically.
4. Press the accelerator pedal (E, Figure 10), drive the machine forward or backward with steering wheel (B, Figure 10) and forward-reverse button (L, Figure 10). Driving speed can be adjusted with speed adjusting knob (N, Figure 10). Main/side brooms and vacuum motor begin to work.
5. Adjust side broom speed with side broom speed adjusting knob (I, Figure 10) based on cleaning requirements.
6. The USB charging port (D, Figure 10) can be used to charge mobile phone or pad when ignition key (J, Figure 10) is turned to "I".
7. Press the horn button (K, Figure 10) to warn people when necessary.



#### NOTE

The main broom and side brooms (F and H, Figure 10) can be lowered and lifted even when the machine is moving. The main broom and side brooms do not rotate when they are lifted.

8. Start sweeping by turning the steering wheel (B, Figure 10) and driving the machine forward with the accelerator pedal (E, Figure 10).

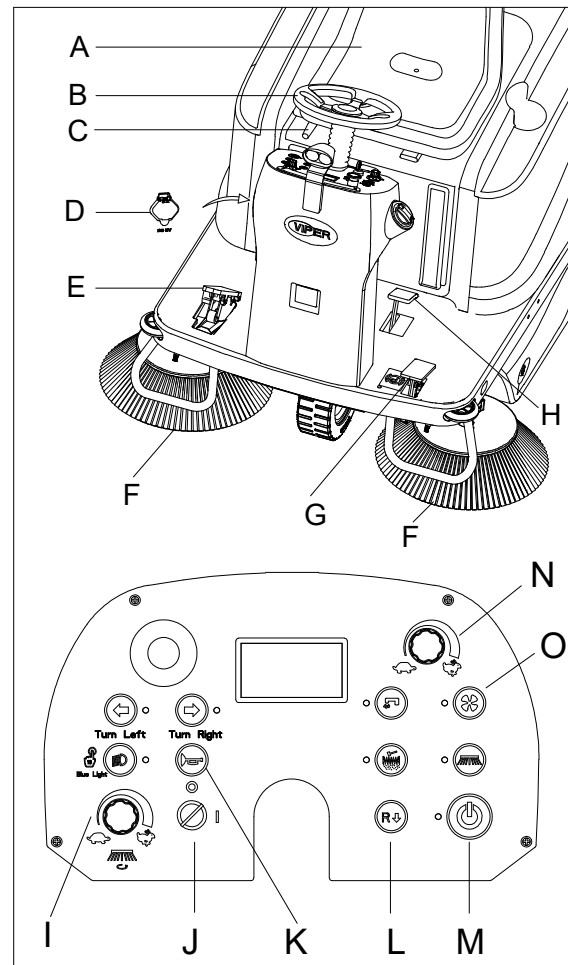


Figure 10

### Stopping the machine

9. Release the accelerator pedal (E, Figure 10), and the machine stops moving.
10. Press one-button start button (M, Figure 10) again to turn off brooms, vacuum motor and pump. The main broom and side brooms are lifted from the floor automatically. The vacuum system is turned off after a delay of several seconds.
11. Turn the ignition key to "O".
12. Engage the parking brake.

## PARKING BRAKE

1. Engage the parking brake by pressing on the front of the pedal (A, Figure 11) and engaging the lever (B, Figure 11).
2. Disengage the parking brake by pressing on the back of the pedal (C, Figure 11) and releasing it.



**WARNING!**  
Before performing any maintenance, repair, cleaning or replacement procedure, engage the parking brake. Don't park the machine on a ramp.

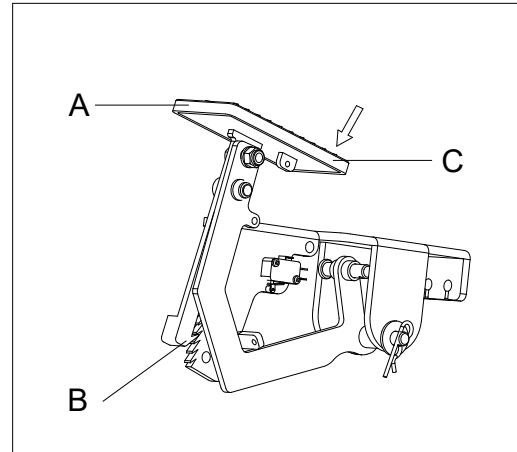


Figure 11

## MACHINE OPERATION



**WARNING!**  
When using the machine on slopes, follow the maximum gradient values marked on the machine (see "Technical Data" chapter).



**WARNING!**  
Pay careful attention when operating the machine at high speed: sudden steering could cause this three-wheel machine to become unstable due to weight distribution. Always reduce the speed before steering.

1. Drive the machine to the work area as shown in the previous paragraph.
2. Drive the machine straight forward at high speed. Drive the machine slower when sweeping a large amount of dust or debris or when safe operation requires slower speed. To achieve optimal results, overlapping sweeping paths by over 10 cm (4 inches) is recommended.
3. Avoid stopping the machine in the same position for a long time with the brooms rotating: this could create unwanted marks on the floor.
4. To collect light and bulky waste materials, lift the front blade by pressing the flap pedal (H, Figure 10); take into consideration that the machine vacuum capability is reduced when the front blade is lifted.



**CAUTION!**  
When operating on wet floors, it is essential to turn off the vacuum system by pressing the vacuum button (A, Figure 12) to prevent the dust filter from being damaged.

5. For machine proper operation, the dust filter must be as clean as possible. To clean it while sweeping, turn on the filter shaker by pressing the filter shaker button (B, Figure 12). During this operation the vacuum motor is automatically shut off. After cleaning the filter, the vacuum system resumes working automatically; then start sweeping again. While working, "filter auto cleaning" mode can be activated by pressing filter shaker button (B, Figure 12) for 1 second, which can repeat the filter cleaning procedure every 10 minutes on average (depending on the dustiness of the area to be cleaned, interval can be set from 1 to 60 minutes, parameter setting refer to the Service Manual).

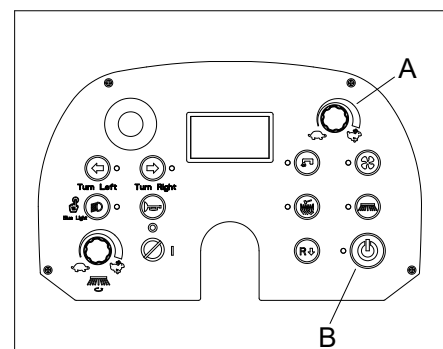


Figure 12



**NOTE**  
This procedure can also be performed when the machine is moving.

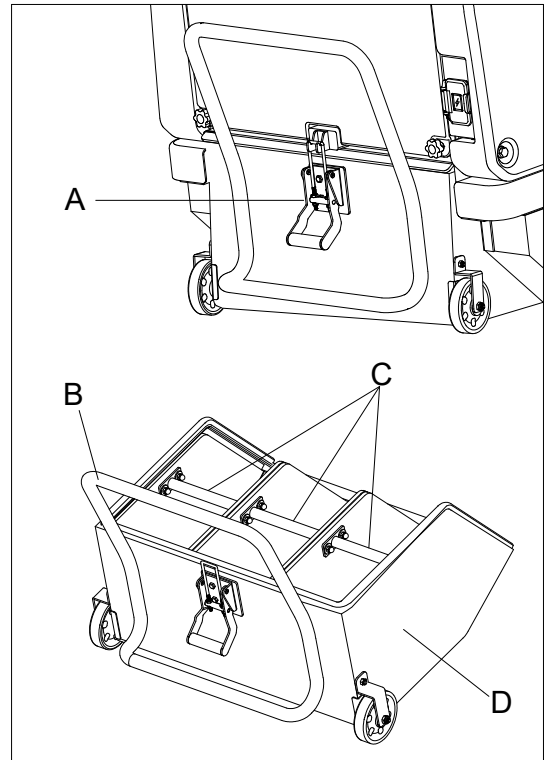


**CAUTION!**  
When the dust filter is clogged and/or the hopper is full, the machine cannot collect dust and debris anymore.

6. The hopper (D, Figure 13) should be emptied after each working cycle and whenever it is full (see the procedure in the following paragraph).

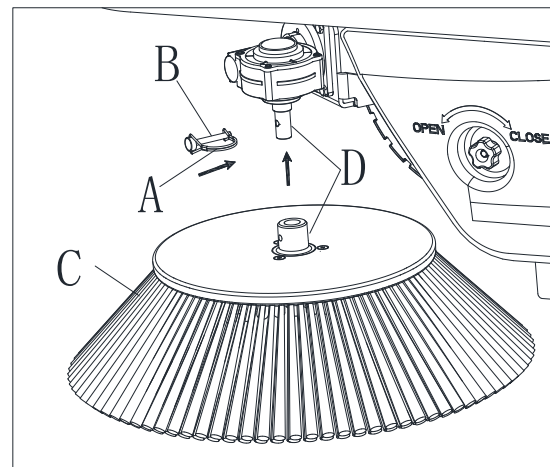
**HOPPER DUMPING**

1. Stop the machine (see the procedures in the previous paragraph).
2. Engage the parking brake.
3. Disengage the latch (A, Figure 13) by pulling its lower end.
4. Remove the hopper (D, Figure 13) by disengaging it from the inner guides with the handle (B, Figure 13).
5. Discharge all the debris into special containers. To make discharging procedure easier, there are three inner boxes (optional) with handle (C, Figure 13) inside the hopper.
6. Install the inner boxes with handle (C, Figure 13), if equipped.
7. Install the hopper (D, Figure 13) and engage it to the inner guides, then fasten it with the latch (A, Figure 13).

**Figure 13****SIDE BROOM INSTALLATION****WARNING!**

It is advisable to wear protective gloves when replacing the side brooms because there can be sharp debris between the bristles.

1. Drive the machine onto level ground and engage the parking brake.
2. Turn the ignition key to "O".
3. Release the spring (A, Figure 14), and remove the pin (B, Figure 14) from the side broom (C, Figure 14) shaft.
4. Install the side broom on the gearmotor shaft, insert the pin in the holes (D, Figure 14) and engage the spring (A, Figure 14).

**Figure 14**

## WATER SPRAY FLOW SETTING

Set up the machine as follows:

1. Press “vacuum button” (A, Figure 15) and “pump button” (B, Figure 15) at the same time.
2. Insert ignition key (C, Figure 15) and turn it to "I".
3. Several seconds later the system enters user setting mode (Figure 15).
4. Release both “vacuum button” (A, Figure 15) and “pump button” (B, Figure 15).
5. Press “Turn Left button” (E, Figure 15) to select the Item 4 “4Water Spray Spd” (F, Figure 15).
6. Press “vacuum button” (A, Figure 15) or “pump button” (B, Figure 15) to select water spray speed value (50%, 60%, 70% ...) (G, Figure 15).
7. Press “headlight button” (D, Figure 15), about 1 second later the screen displays "Update OK", indicating that water spray flow is set up, then restart the machine. (C, Figure 7).

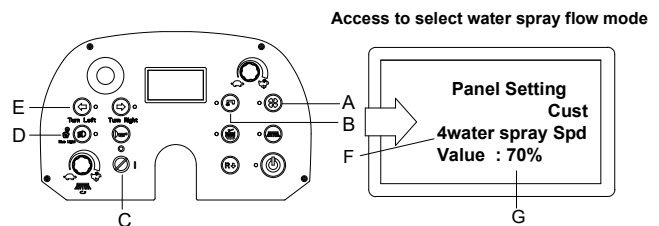


Figure 15

## AFTER USING THE MACHINE

After operation, before leaving the machine, perform the following procedures.

8. Press one-button start button (C, Figure 16) to turn off all functions (vacuum, main/side brooms and pump), and then main broom and side brooms will be lifted.
9. Press filter shaker button to turn on the filter shaker (B, Figure 16)
10. Empty the hopper (D, Figure 13) (see the procedures in the previous paragraph).
11. Turn the ignition key (A, Figure 16) to “O” and remove it.
12. Engage the parking brake.
13. If necessary, charge the batteries (see the procedures in Maintenance chapter).

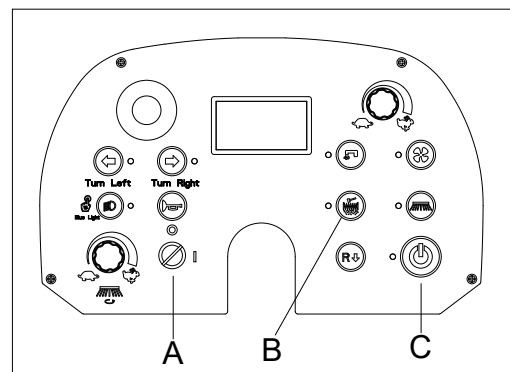


Figure 16

## PUSHING/TOWING THE MACHINE

To push/tow the machine when it is turned off, perform the following procedures:

1. Open the cover (A, Figure 17).
2. Pull the drive motor handle (B, Figure 17) outwards.
3. Insert the screwdriver (C, Figure 17) to the slot (D, Figure 17). Turn back the cover, then the machine can be pushed or towed.
4. When the machine is moved to the destination, take out the screwdriver (C, Figure 17), then the machine can work normally.

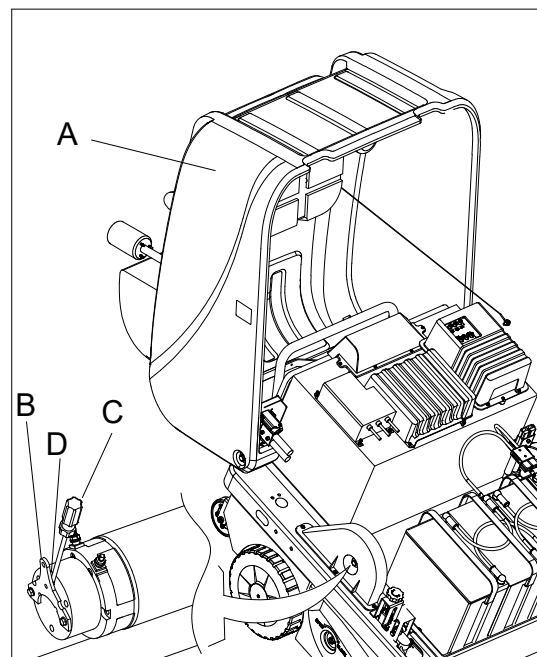


Figure 17

## MACHINE STORAGE DURING LONG INACTIVITY

If the machine is not going to be used for more than 30 days, proceed as follows:

1. Perform the procedures shown in After Using the Machine chapter.
2. Disconnect the battery connector.

## FIRST PERIOD OF USE

After the first 8 hours of use, check the machine fasteners and connecting parts for proper tightness and check the visible parts for integrity and leakage.

## MAINTENANCE



### WARNING!

**Maintenance procedures must be performed after the machine is turned off and the battery charger cable is disconnected. In addition, carefully read the safety chapter in this instruction.**

All scheduled or extraordinary maintenance procedures must be performed by qualified personnel or an authorized Service Center. This manual only describes the general and common maintenance procedures.

For other maintenance procedures that are not in below maintenance schedule table, please contact our Technical Support Department.

## SCHEDULED MAINTENANCE TABLE

Procedure	Upon delivery	Every 10 hours	Every 50 hours	Every 100 hours	Every 200 hours	Every 400 hours
Battery charging						
Battery (WET) electrolyte level check		(2)				
Main broom cleaning						
Side and main broom height check and adjustment						
Dust filter cleaning and integrity check		(3)				
Blade height and operation check						
Filter shaker operation check			(*)			
Main broom drive belt visual inspection			(*)			
Flap pedal check and adjustment				(*) (4)		
Steering chain check and cleaning					(*)	
Main broom drive belt replacement					(*)	
Main broom motor and drive system motor carbon brushes check or replacement						(*)

1. (\*) For relevant procedures, refer to the Service Manual.
2. Daily or after using the machine.
3. Or before machine start-up.
4. Or more frequently in dusty areas.



## BATTERY CHARGING

**NOTE**

Charge the batteries when battery level is low.

**CAUTION!**

Keeping the batteries charged can extend their life.

**CAUTION!**

When the batteries are discharged, charge them as soon as possible, as that can shorten their life. Check WET battery electrolyte level at least once a week.

**WARNING!**

WET battery charging produces highly explosive hydrogen gas. Charge the batteries in well-ventilated areas and away from flames. Do not smoke while charging the batteries. Always keep the tank open while charging the batteries.

**WARNING!**

Pay careful attention when charging the batteries as there may be battery fluid leakages that is corrosive. If it comes in contact with skin or eyes, rinse thoroughly with water and consult a physician.

**Preliminary procedures**

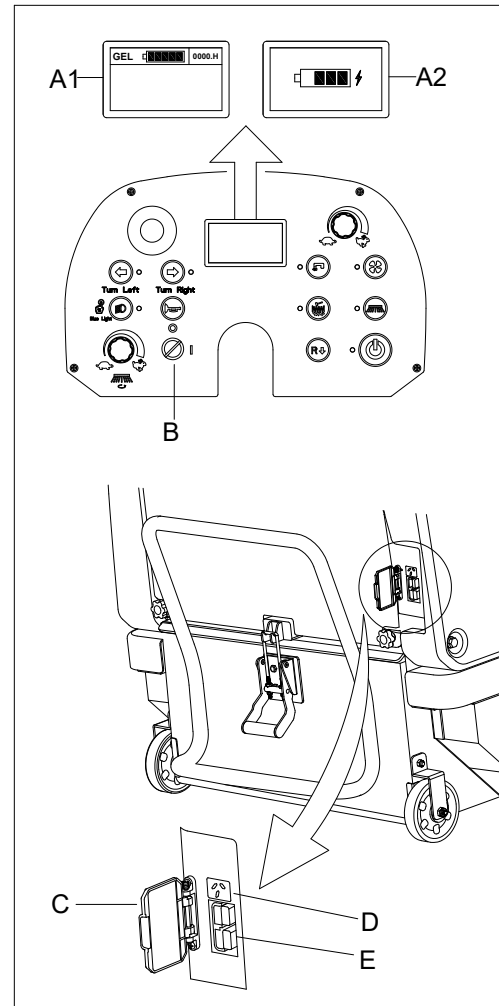
1. Drive the machine to the designated charging area.
2. Turn the ignition key (B, Figure 18) to "O".
3. Charge the batteries according to the following procedures.

**Battery charging (Machine with external charger)**

4. Open the protective cover (C, Figure 18). Connect the external charger connector to the connector (E, Figure 18) on the machine. When the external charger is connected to the machine, all machine functions are automatically shut down.
5. Plug the external charger into the wall socket.
6. When battery charging is completed, unplug the charger from the wall socket, then disconnect the external charger cable from the machine.
7. Check electrolyte level after the batteries are charged (for WET battery only).
8. Insert the ignition key (B, Figure 18) and turn it to "I". Check the battery level on multifunction display (A1, Figure 18).

**Battery charging (Machine with on-board charger)**

9. Open the protective cover (C, Figure 18). Connect the power cord to the on-board charger plug (D, Figure 18) on the machine, then plug the other end of power cord into the wall socket.
10. The charging status can be checked on multifunction display (A2, Figure 18).
11. When battery charging is completed, unplug the power cord from the wall socket, then disconnect the power cord from the machine.
12. Check electrolyte level after the batteries are charged (for WET battery only).
13. Insert the ignition key (B, Figure 18) and turn it to "I". Check the battery level on multifunction display (A1, Figure 18).



**Figure 18**

## MAIN BROOM HEIGHT CHECK AND ADJUSTMENT

**NOTE**

Brooms with harder or softer bristles are available. This procedure is applicable to all types of brooms.

1. Check the main broom distance from the floor according to the following procedures:
  - Drive the machine onto a level ground.
  - Adjust speed adjusting knob (A, Figure 19) to minimize driving speed.
  - Press one-button start button (B, Figure 19) to lower the main broom and turn it on for about one minute by pressing the accelerator pedal.
  - Stop and lift the main broom, then move the machine and turn it off.
  - Check that the main broom print (A, Figure 20), along its length, is 2 to 4 cm wide.

If the print (A, Figure 20) is not within specifications, adjust the main broom height according to the following procedures.

2. Engage the parking brake.
3. Turn the ignition key to "O".
4. Open the cover.
5. Turn the main broom adjuster (B, Figure 21) on the right side of the machine as shown below:
  - To increase the print width, turn it counterclockwise to lower the broom.
  - To decrease the print width, turn it clockwise to lift the broom.

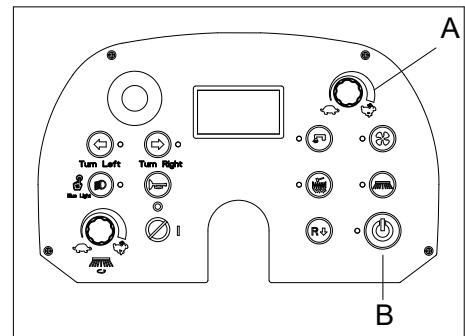
**NOTE**

The broom height can be adjusted according to bristle wear of the broom to make sure the print is within specifications.

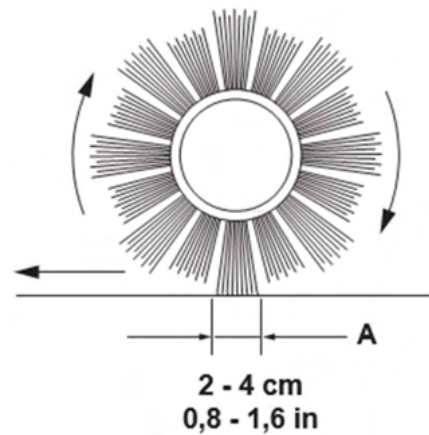
6. Perform step 1 again to check the proper adjustment of the main broom height.
7. When the broom is too worn to be adjusted, replace it as shown in the following paragraph.

**NOTE**

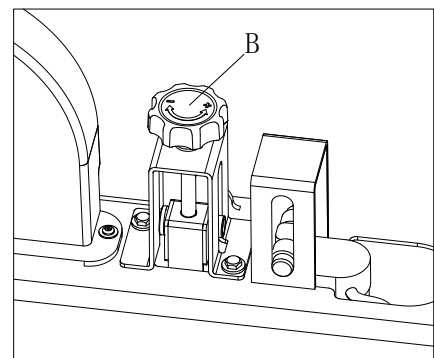
If the print (A, Figure 20) can't be adjusted properly due to different length of bristles resulting in different pressure on the floor, refer to the Service Manual.



**Figure 19**



**Figure 20**



**Figure 21**

## MAIN BROOM REPLACEMENT

**WARNING!**

It is advisable to wear protective gloves when replacing the main broom because there can be sharp debris between the bristles.

1. Drive the machine onto a level ground and engage the parking brake.
2. Turn the ignition key to "O".
3. Unscrew the knobs (A, Figure 22) and remove the left cover (B, Figure 22).
4. Unscrew the knob (A, Figure 23) and remove the drive hub bracket (D, Figure 23).
5. Unscrew the knobs (B, Figure 23) and remove the broom compartment cover (C, Figure 23).
6. Remove the main broom (E, Figure 24) along with the hub (J, Figure 26).
7. Check that the drive hub (F, Figure 24) is free from dirt or foreign materials (strings, cords, etc.) accidentally rolled up.
8. The new main broom must be installed with the bristle pattern as shown in the figure (G, Figure 24).
9. Install the new main broom and ensure that the hexagonal mesh (H, Figure 24) correctly fits into the drive hub (F, Figure 24).
10. Install the hub (J, Figure 26) into the main broom.
11. Install the broom compartment cover (C, Figure 25) by tightening the knobs (B, Figure 25).
12. Install the drive hub bracket (D, Figure 23) by tightening the knob (A, Figure 23).
13. Install the left cover (B, Figure 22) by tightening the knobs (A, Figure 22).
14. Check and adjust the main broom height as shown in the previous paragraph.

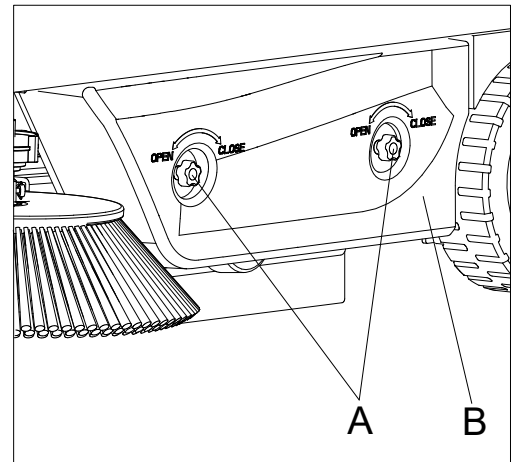


Figure 22

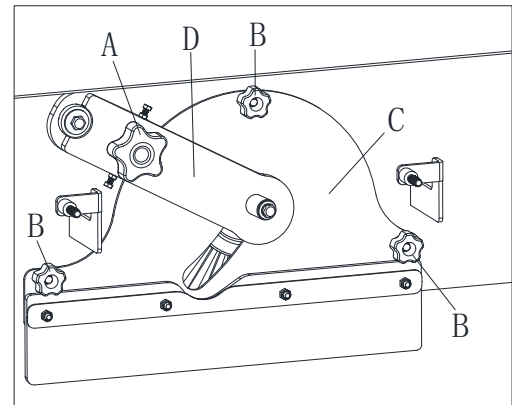


Figure 23

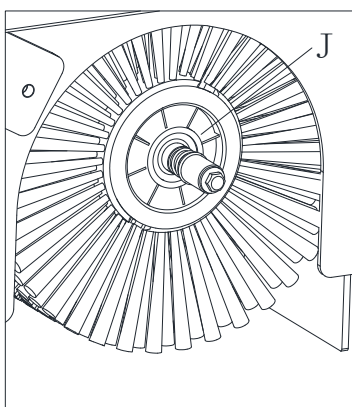


Figure 26

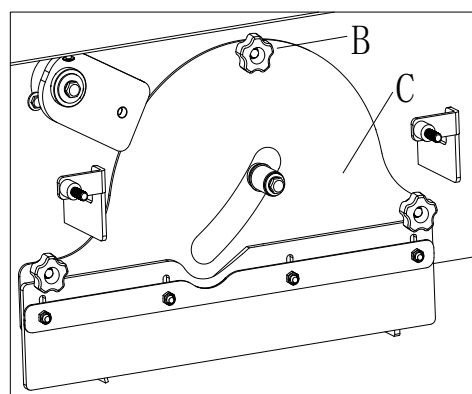


Figure 25

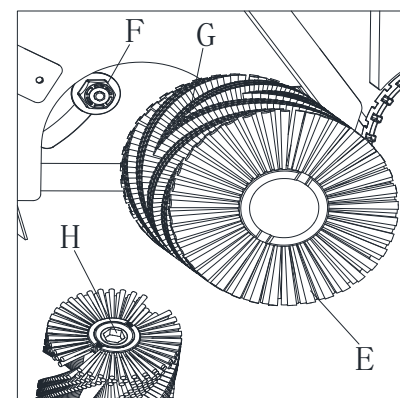


Figure 24

## SIDE BROOM HEIGHT CHECK AND ADJUSTMENT

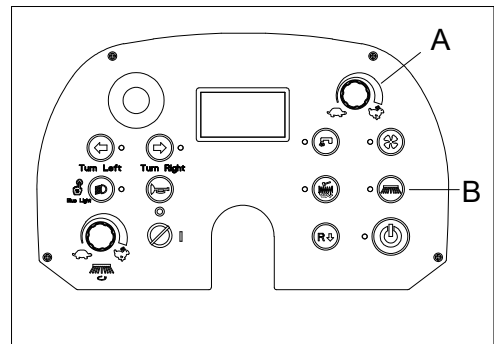
**NOTE**

**Brooms with harder or softer bristles are available.  
This procedure is applicable to all types of brooms.**

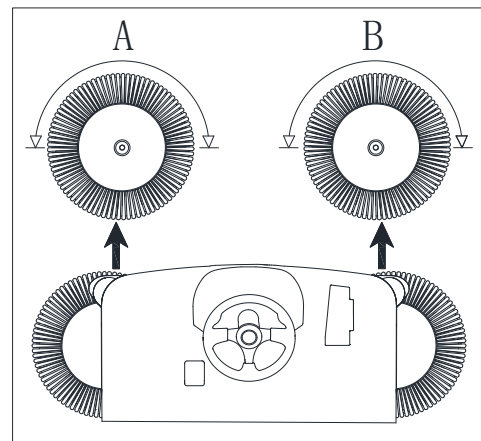
1. Check the side broom distance from the floor according to the following procedures:
  - Drive the machine onto level ground.
  - Adjust speed adjusting knob (A, Figure 27) to minimize driving speed.
  - Press side broom button (B, Figure 27) to lower the side broom and turn it on for about one minute by pressing the accelerator pedal.
  - Check that the side broom prints are as shown in the figure (A and B, Figure 28).

If the print is not within specifications, adjust the side broom height according to the following procedures.

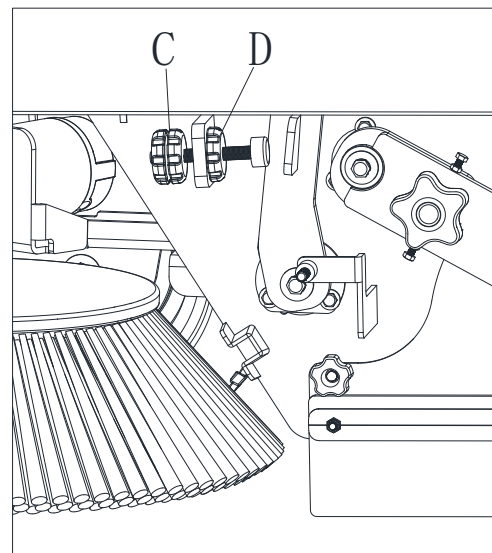
2. Engage the parking brake.
3. Turn the ignition key to "O".
4. Unscrew the knobs (A, Figure 22) and remove the left cover (B, Figure 22).
5. Adjust the side broom adjuster (C, Figure 29) until the proper print (A and B, Figure 28) is achieved. Then fasten the adjuster with the ring nut (D, Figure 29).
6. Perform step 1 again to check the proper adjustment of the side broom height.
7. When the broom is too worn to be adjusted, replace it as shown in the Side Broom Installation chapter.



**Figure 27**



**Figure 28**



**Figure 29**

## DUST FILTER CLEANING AND INTEGRITY CHECK

**NOTE**

Besides standard polyester filter, paper filters are also available. The following procedure is applicable to both types.

1. Drive the machine onto level ground and engage the parking brake.
2. Turn the ignition key to "O".
3. Remove the cover (A, Figure 30)
4. Disengage the latch (F, Figure 30) by pulling its lower end.
5. Remove the hopper (E, Figure 30) by disengaging it from the inner guides with the handle (C, Figure 30).
6. Unscrew the knobs (D, Figure 30) and remove the filter compartment cover (B, Figure 30).
7. Unscrew the knobs (A, Figure 30).
8. Disconnect the filter shaker motor (C, Figure 31) connector (B, Figure 31).
9. Remove the dust filter fixing frame (D, Figure 31).
10. Remove the dust filter (E, Figure 31).
11. In an outdoor area, clean the filter by shaking it on a level and clean surface, tapping the side (A, Figure 32) opposite to the wire gauze (B, Figure 32). Complete the cleaning procedure by using compressed air (C, Figure 32) at a maximum of 6 bars (85 psi), blowing only from the side of the wire gauze (B, Figure 32), at a minimum distance of 30 cm. According to the filter type, observe the following cautions:
  - Paper filter (optional): Do not use water or detergents to clean it, otherwise it can be damaged.
  - Polyester filter (standard): For better cleaning, the filter can be washed with water and non-lathering detergents. This provides better cleaning quality but reduces the life of the filter and causes it to be replaced more frequently. Using improper detergents can damage the filter.
12. Check the filter body for integrity. If necessary, replace the filter.
13. Clean the rubber gasket (A, Figure 33) of the cover and check it for integrity and efficiency. If necessary, replace it.
14. Assemble the components in the reverse order of disassembly, and note the following:
  - Install the filter (E, Figure 31) with the wire gauze (B, Figure 32) facing upwards.

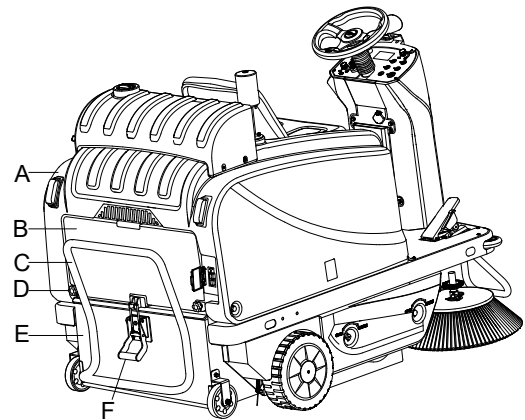


Figure 30

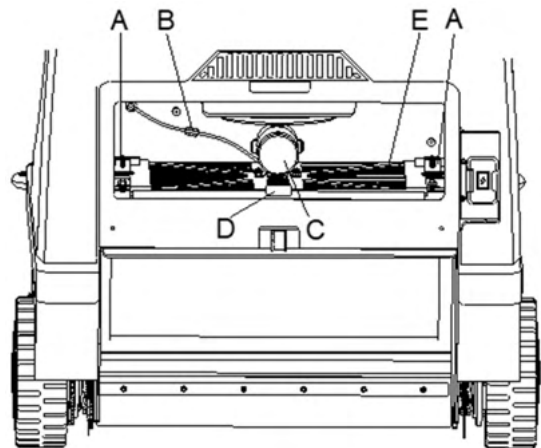


Figure 31

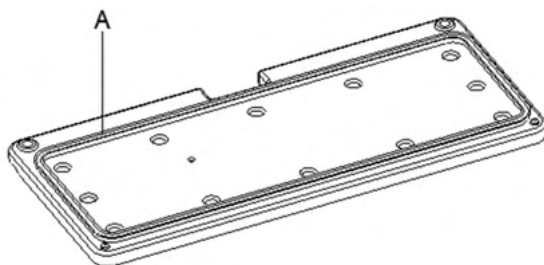


Figure 33

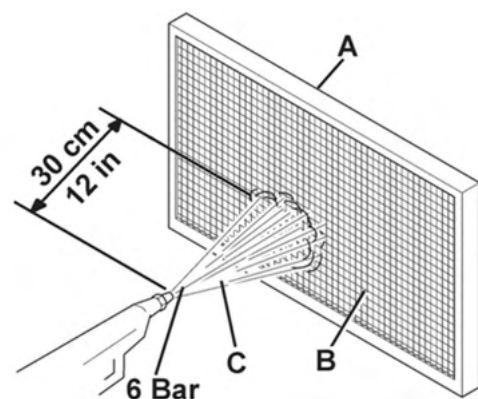


Figure 32

**BLADE HEIGHT AND OPERATION CHECK**

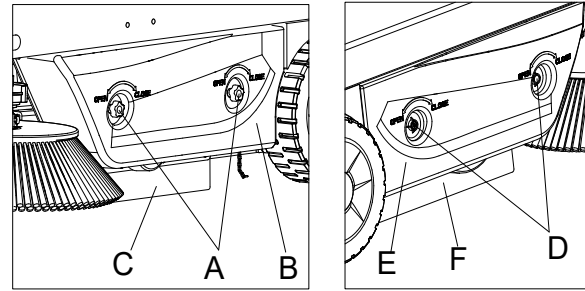
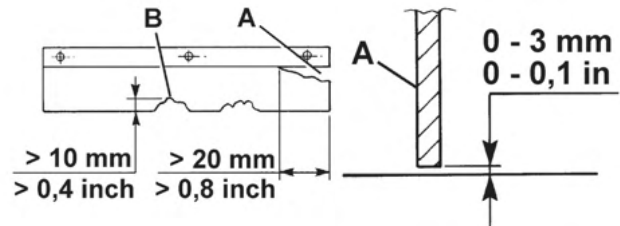
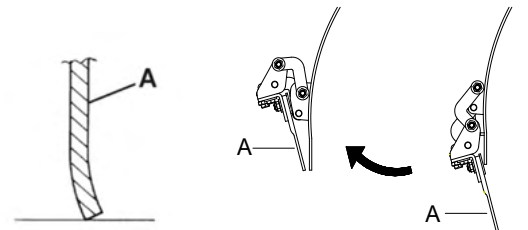
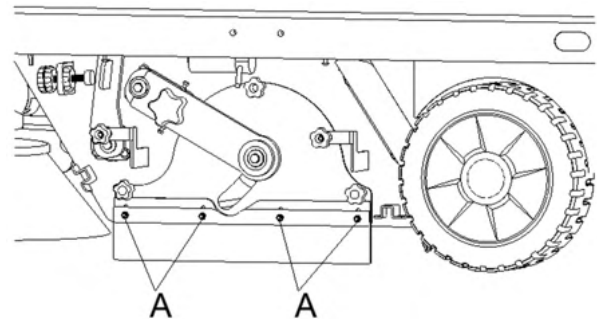
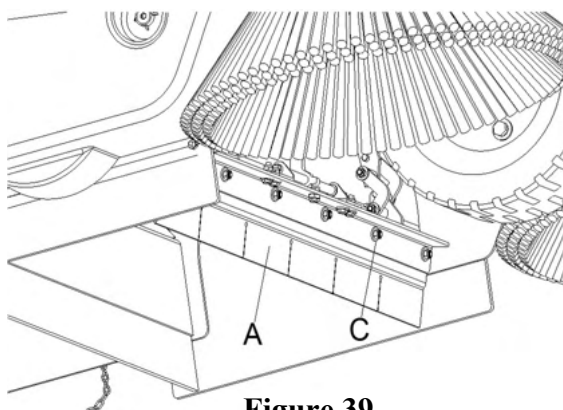
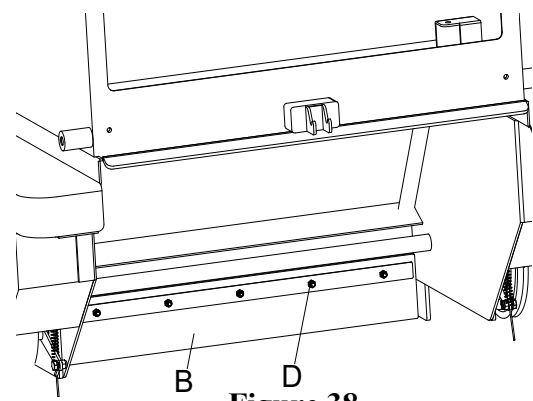
1. Drive the machine onto level ground.
2. Engage the parking brake.
3. Turn the ignition key to "O".

**Side Blade Check**

4. Unscrew the knobs (A and D, Figure 34) and remove both left (B, Figure 34) and right (E, Figure 34) covers.
5. Check the side blades (C and F, Figure 34) for integrity. Replace the blades when they have cuts (A, Figure 35) larger than 20 mm or cracks (B, Figure 35) larger than 10 mm (for blade replacement, refer to the Service Manual).
6. Check that distance from the ground to the side blades (C and F, Figure 34) is within 0-3 mm (A, Figure 35). If necessary, adjust the blade height by adjusting the slots with the screws (A, Figure 37).
7. Assemble the components in the reverse order of disassembly.

**Front and Rear Blade Check**

8. Remove the main broom as shown in the relevant paragraph.
9. Check the front (A, Figure 39) and rear blades (B, Figure 38) for integrity. Replace the blades when they have cuts (A, Figure 35) larger than 20 mm or cracks (B, Figure 35) larger than 10 mm (for blade replacement, refer to the Service Manual).
10. Check that:
  - The front blade (A, Figure 36) slightly touches the ground.
  - The distance from the ground to the rear blade (B, Figure 38) is within 0-3 mm (A, Figure 35).
11. If necessary, adjust the blade height by adjusting the slots with the screws (C and D, Figure 39 and 38).
12. Press the flap pedal and check that the front blade (A, Figure 36) is lifted; then release the pedal and check that the blade does not remain in an intermediate position but returns to its initial position. If necessary, for the front blade control cable adjustment or replacement, refer to the Service Manual.
13. Assemble the components in the reverse order of disassembly.

**Figure 34****Figure 35****Figure 36****Figure 37****Figure 39****Figure 38**

## WHEEL CHAIN CHECK AND ADJUSTMENT

1. Drive the machine onto level ground.
2. Engage the parking brake.
3. Turn the ignition key to "O".
4. When the front wheel is loose, adjust the wheel chain adjusting screw (A, Figure 40) on the front of the machine to make sure the wheel chain is of proper tightness.
5. When the rear wheel is loose, open the cover (C, Figure 41) and the wheel chain cover (A, Figure 41), adjust the wheel chain adjusting screw (B, Figure 41) to make sure the wheel chain is of proper tightness.

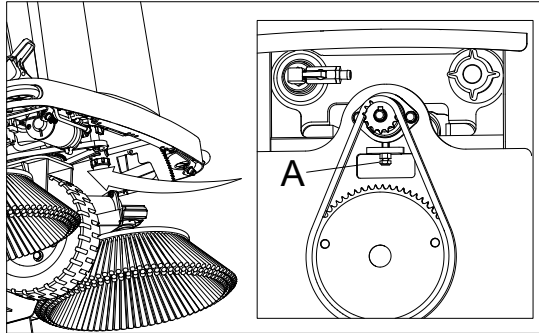


Figure 40

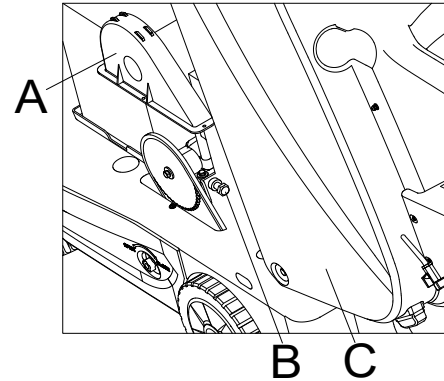


Figure 41

## TROUBLESHOOTING

Trouble	Possible cause	Remedy
The machine does not start when turning the ignition key to "I".	The battery connector is disconnected.	Connect the battery connector.
	The F6 circuit breaker is open.	Reset it by pressing relevant switch.
	The external charger cable is connected to the machine.	Disconnect the external charger cable from the machine.
The machine does not move when pressing the accelerator pedal.	The parking brake is engaged.	Disengage the parking brake.
	When starting the machine with the ignition key, the accelerator pedal is being pressed, or the operator is not yet on the driver's seat.	Start the machine with the ignition key, only after being on the driver's seat and without pressing the accelerator pedal.
	The seat switch isn't activated for not sitting in the right position.	Sit in the right position on the seat.
The main broom does not work.	The F5 fuse is blown.	Replace the fuse.
	The F7 circuit breaker is open.	Reset it by pressing relevant switch.
	One-button start button is not pressed.	Press one-button start button.
The side brooms do not work.	The F5 fuse is blown.	Replace the fuse.
	Side broom button or one-button start button is not pressed.	Press side broom button or one-button start button.
	The F8/F9 circuit breaker is open.	Reset it by pressing relevant switch.
The machine collects little debris/dust.	The F5 fuse is blown.	Replace the fuse.
	The vacuum system is turned off.	Turn on the vacuum system.
	The F11 circuit breaker is open.	Reset it by pressing relevant switch.
	The dust filter is clogged.	Clean the dust filter with the filter shaker or remove it for cleaning.
	The hopper is full.	Empty the hopper.
The filter shaker does not work.	The blades are not properly adjusted or are worn.	Adjust/replace the blades.
	The brooms are not properly adjusted.	Adjust the broom height.
The machine exits one-button start mode and only supports travel mode.	The F10 circuit breaker is open.	Reset it by pressing relevant switch.
	The F5 fuse is blown.	Replace the fuse.
The battery run-time is low.	The batteries are discharged.	Charge the batteries. If the trouble persists, replace the batteries.
	The batteries are dead.	Replace the batteries.
	The battery capacity is low.	Replace batteries with higher capacity (see the Technical Data chapter).

For further information, refer to the Service Manual, available at any Nilfisk Service Center.

**ERROR CODE OF DISPLAY app: detail**

Error 01	Battery VOL low	Battery voltage low
Error 02	Tra overload	Traction motor overload
Error 03	Main brush overload	Main broom motor overload
Error 04	Side brush overload	Side broom motor overload
Error 05	Filter clean M overload	Filter shaker motor overload
Error 06	Pump overload	Pump overload
Error 07	Charger COMM Error	Charger communication error
Error 08	Charger connect Error	Charger to controller connection error
Error 09	Charger Temp high	Charger temperature high
Error 10	Charging low VOL	Battery charging voltage low
Error 11	Battery reversed	The positive and negative terminals of the batteries are reversed.
Error 12	Charging high VOL	Battery charging voltage high
Error 13	CC charging timeout	Charging timeout at CC charging phase
Error 14	AC power low	AC power voltage for charger is low in on-board charging mode
Error 15	ENE Bat. Ch. Match Error	ENE battery charging match error
Error 16	Pedal switch SRO	When key switch is turned on, accelerator pedal is being pressed
Error 17	Electric Brake Failure	Electric brake failure
Error 18	Spray Water Depleted	Spray water is depleted
Error 19	Side brush open circuit	Side brush circuit is open
Error 20	Main brush open circuit	Main brush circuit is open
Error 21	Pump open circuit	Pump (water spray device) circuit is open
Error 22	Filter C motor open circuit	Filter clean motor circuit is open
Error 23	Tract motor over-temperature	Traction motor is over temperature
Error 24	Tract Motor THERMO-SENSOR open	The circuit of traction motor THERMO-SENSOR is open

**SCRAPPING**

Have the machine scrapped by a qualified waste treatment institution.

Before scrapping the machine, remove and separate the following materials, which must be disposed of properly according to the law in force.

- Batteries
- Polyester dust filter
- Main and side brooms
- Plastic components
- Electrical and electronic components (\*)

(\*) Please contact our company service center when scrapping any electrical and electronic components.

**Machine material composition and recyclability**

Type	Recyclable percentage	Weight percentage
Aluminum	100%	1%
Electric motors-various	29%	20%
Ferrous materials	100%	55%
Wiring harness	80%	1%
Liquids	100%	0%
Plastic-non-recyclable material	0%	1%
Plastic-recyclable material	100%	20%
Rubber	20%	2%



## TABLE DES MATIÈRES

<b>INTRODUCTION</b> .....	<b>30</b>
BUT ET CONTENU DU GUIDE .....	30
COMMENT CONSERVER CES INSTRUCTIONS D'UTILISATION .....	30
ACCESSOIRES ET ENTRETIEN .....	30
CHANGEMENT ET AMÉLIORATION .....	30
CHAMP D'APPLICATION .....	30
DONNÉES D'IDENTIFICATION DE LA MACHINE .....	30
TRANSPORT ET DÉBALLAGE .....	31
<b>SÉCURITÉ</b> .....	<b>31</b>
SYMBOLES VISIBLES SUR MACHINE .....	31
SYMBOLES UTILISÉS DANS LES INSTRUCTIONS D'UTILISATION .....	31
CONSIGNES GÉNÉRALES DE SÉCURITÉ .....	32
<b>DESCRIPTION DE LA MACHINE</b> .....	<b>34</b>
STRUCTURE DE LA MACHINE .....	34
PANNEAU DE COMMANDE .....	36
DESCRIPTION DU MODE DE TRAVAIL .....	37
ACCESSOIRES .....	38
DONNÉES TECHNIQUES .....	39
SCHÉMA DE CÂBLAGE .....	40
<b>GUIDE D'UTILISATION</b> .....	<b>41</b>
VÉRIFICATION/RÉGLAGE DE LA BATTERIE SUR UNE NOUVELLE MACHINE .....	41
INSTALLATION DES BATTERIES ET RÉGLAGE DU TYPE DE BATTERIE (WET/ GEL/AGM/DIS/EXI/FUL/OPT/ENE(TPPL)) .....	42
AVANT LE DÉMARRAGE DE LA MACHINE .....	43
DÉMARRAGE ET ARRÊT DE LA MACHINE .....	44
FREIN DE STATIONNEMENT .....	45
FONCTIONNEMENT DE LA MACHINE .....	45
DÉVERSEMENT DE LA TRÉMIE .....	46
INSTALLATION DE LA BROSSE LATÉRALE .....	46
RÉGLAGE DU DÉBIT DE PULVÉRISATION D'EAU .....	47
APRÈS UTILISATION DE LA MACHINE .....	47
POUSSER/REMORQUER LA MACHINE .....	47
STOCKAGE DE MACHINE PENDANT UNE LONGUE INACTIVITÉ .....	48
PREMIÈRE PÉRIODE D'UTILISATION .....	48
<b>ENTRETIEN</b> .....	<b>48</b>
CALENDRIER D'ENTRETIEN PROGRAMMÉ .....	48
CHARGEMENT DE LA BATTERIE .....	49
CONTRÔLE ET RÉGLAGE DE LA HAUTEUR DE LA BROSSE PRINCIPALE .....	50
REPLACEMENT DE LA BROSSE PRINCIPALE .....	51
CONTRÔLE ET RÉGLAGE DE LA HAUTEUR DE LA BROSSE LATÉRALE .....	52
NETTOYAGE DU FILTRE À POUSSIÈRE ET CONTRÔLE D'INTÉGRITÉ .....	53
VÉRIFICATION DE LA HAUTEUR ET DU FONCTIONNEMENT DE LA LAME .....	54
CONTRÔLE ET RÉGLAGE DE LA CHAÎNE DE LA ROUE .....	55
<b>DÉPANNAGE</b> .....	<b>55</b>
<b>CODE D'ERREUR DE L'ÉCRAN <u>app: detail</u></b> .....	<b>56</b>
<b>MISE AU REBUT</b> .....	<b>56</b>

## INTRODUCTION



### REMARQUE

Les chiffres entre parenthèses renvoient aux éléments présentés dans le chapitre Description de la Machine.

## BUT ET CONTENU DU GUIDE

Le but de ces instructions d'utilisation est de fournir à l'opérateur toutes les informations de base et les caractéristiques techniques, les conditions de fonctionnement, d'inactivité, les pièces détachées et les conditions de sécurité de la machine, etc.

Avant d'effectuer toute opération sur la machine, les opérateurs et les techniciens qualifiés doivent lire les Instructions d'utilisation. Contacter notre société en cas de doutes concernant l'interprétation des instructions ou pour toute information complémentaire.

## COMMENT CONSERVER CES INSTRUCTIONS D'UTILISATION

Les instructions d'utilisation doivent être conservées près de la machine, dans une pochette spéciale, à l'écart des liquides et d'autres substances susceptibles de l'abîmer.

## ACCESSOIRES ET ENTRETIEN

Toutes les opérations nécessaires, les procédures d'entretien et de réparation doivent être effectuées par un personnel qualifié ou par le centre d'entretien désigné de notre société. N'utiliser QUE les pièces détachées et les accessoires autorisés.

Contactez le service à la clientèle de notre société pour tout service ou achat d'accessoires ou pièces détachées si nécessaire.

## CHANGEMENT ET AMÉLIORATION

Nous nous engageons à l'amélioration continue de nos produits. La société se réserve le droit de modifier et d'améliorer la machine sans informations supplémentaires.

## CHAMP D'APPLICATION

La machine convient à un usage commercial et industriel. Elle convient au nettoyage de sols lisses et durs, elle doit être utilisée par du personnel qualifié dans des conditions sûres.

## DONNÉES D'IDENTIFICATION DE LA MACHINE

Le numéro de série et le nom du modèle de la machine sont indiqués sur l'étiquette de série.

Ces informations sont utiles. Utiliser le tableau suivant pour noter les données d'identification de la machine, lors de communication nécessitant des pièces de rechange pour la machine.

MODÈLE DE MACHINE .....
NUMÉRO DE SÉRIE DE LA MACHINE .....

## TRANSPORT ET DÉBALLAGE

Lorsque le transporteur livre la machine, s'assurer que l'emballage et la machine sont à la fois intacts et en bon état. En cas de dommage, porter à la connaissance du transporteur les dommages avant d'accepter les marchandises, afin de se réserver le droit en termes de réparation des dommages.

Suivre attentivement les instructions sur l'emballage, lors du déballage de la machine.

Vérifier que les éléments suivants sont inclus dans l'emballage :

1. Documentation technique - Instructions d'utilisation
2. Composants de connexion de la batterie
3. Manuel du chargeur embarqué (le cas échéant) (\*)

## SÉCURITÉ

Les symboles suivants indiquent les situations potentiellement dangereuses. Toujours lire attentivement ces informations et prendre toutes les précautions nécessaires pour protéger les personnes et les biens.

### SYMBOLES VISIBLES SUR MACHINE



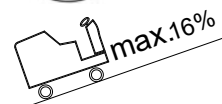
**AVERTISSEMENT !**

Lire toutes les instructions avec attention avant d'effectuer toute opération sur la machine.



**AVERTISSEMENT !**

Ne pas laver la machine avec des jets d'eau directs ou sous pression.



**AVERTISSEMENT !**

Ne pas utiliser la machine pour travailler sur des pentes ayant une inclinaison dépassant ce qui est défini au chapitre des spécifications.

### SYMBOLES UTILISÉS DANS LES INSTRUCTIONS D'UTILISATION



**DANGER !**

Cela indique une situation dangereuse avec risque de mort pour l'opérateur.



**AVERTISSEMENT !**

Cela indique un risque potentiel de blessure pour les personnes.



**ATTENTION !**

Cela indique un avertissement ou une remarque concernant des fonctions importantes ou utiles.

Prêter l'attention aux paragraphes marqués par ce symbole.



**REMARQUE**

Cela indique une remarque sur des fonctions importantes ou utiles.



**CONSULTATION**

Ceci indique la nécessité de se référer aux instructions d'utilisation avant d'entreprendre toute procédure.

## CONSIGNES GÉNÉRALES DE SÉCURITÉ

Les avertissements et les mises en garde spécifiques, pour informer des dommages potentiels aux personnes et à la machine, sont indiqués ci-dessous.



### DANGER !

- Cette machine doit être exploitée par du personnel qualifié et autorisé selon les conseils du manuel.
- Avant d'effectuer toute procédure de nettoyage, d'entretien, de réparation ou de remplacement, lire attentivement toutes les instructions, veiller à désactiver la machine et à débrancher le connecteur de la batterie.
- Ne pas faire fonctionner la machine à proximité de poudres, vapeurs ou liquides toxiques, dangereux, inflammables et/ou explosifs. Cette machine ne convient pas pour la collecte des poudres dangereuses.
- Ne pas porter de bijoux lors du travail à proximité de composants électriques.
- Ne pas travailler sous la machine soulevée sans qu'elle soit supportée par des béquilles de sécurité.
- Les batteries au plomb (WET) peuvent émettre des gaz inflammables lors de leur utilisation normale. Éloigner les étincelles, les flammes, les substances fumigènes et les éléments rayonnants, éclairants et brûlants des batteries.
- Lors du chargement de batteries au plomb (WET), de l'hydrogène gazeux peut s'en dégager risquant de provoquer des explosions. Veiller à ce que l'environnement de chargement soit bien aéré et loin des flammes.



### AVERTISSEMENT !

- Cette machine est conçue pour un USAGE COMMERCIAL, par exemple dans des hôtels, des écoles, des hôpitaux, des usines, des magasins, des bureaux et des sociétés de location.
- Les machines laissées sans surveillance doivent être bloquées afin d'empêcher tout mouvement involontaire.
- Afin de prévenir un usage non autorisé de la machine, la source d'alimentation doit être commutée ou verrouillée, par exemple en enlevant la clé du commutateur principal ou la clé de contact.
- Inspecter attentivement la machine avant chaque utilisation. Veiller à ce que tous les composants aient été bien assemblés avant l'utilisation. Les éléments lâches peuvent causer des dommages aux personnes et aux biens.
- Ne jamais déplacer la machine en tirant sur le câble du chargeur de batterie. Ne pas faire passer le câble par une porte fermée ni l'enrouler autour de bords ou d'arêtes tranchantes. Ne pas faire fonctionner la machine sur le câble du chargeur de batterie. Éloigner le câble du chargeur de batterie des surfaces chauffées.
- Ne pas charger les batteries si le câble de chargeur de batterie ou la fiche sont endommagés.
- Afin de réduire le risque d'incendie, de choc électrique ou de blessure, ne laissez pas la machine sans surveillance pendant la charge. Avant d'effectuer toute procédure d'entretien, débranchez le câble du chargeur de la batterie du réseau électrique.
- La température de stockage et de fonctionnement doit être comprise entre 0 °C et +40 °C, l'humidité de l'air doit être comprise entre 30 % et 95 %.
- Ne pas utiliser la machine sur des pentes dont l'inclinaison dépasse les spécifications.
- Utiliser les brosses fournies avec la machine ou définies dans le manuel. L'utilisation d'autres brosses pourrait nuire à la sécurité.
- En cas de mauvais fonctionnements de la machine, veiller à ce qu'ils ne soient pas dus à un manque d'entretien. Si nécessaire, demander l'assistance du personnel autorisé ou d'un centre d'entretien agréé.
- Prendre toutes les précautions nécessaires pour empêcher les cheveux, les bijoux et les vêtements amples d'être retenus par des pièces en mouvement de la machine.
- Ne pas laver la machine avec des jets d'eau directs ou sous pression, ou avec des substances corrosives.
- Ne pas heurter d'étagères ou d'échafaudages, en particulier lorsqu'il y a un risque de chute d'objets.
- Ne pas poser de récipients contenant des liquides sur la machine, utiliser le porte-gobelet prévu à cet effet.
- Afin d'éviter d'endommager le sol, ne pas laisser la brosse fonctionner alors que la machine est à l'arrêt.
- En cas d'incendie, utiliser un extincteur à poudre. Ne pas utiliser les extincteurs liquides.
- Ne pas enlever ou modifier les autocollants de la machine.
- Ne pas modifier les dispositifs de sécurité de la machine et suivez scrupuleusement les instructions d'entretien prévu.
- Faire attention pendant le transport de la machine, si la température est sous le point de congélation. L'eau, dans le réservoir de solution et dans les tuyaux, pourrait geler et causer de sérieux dommages à la machine.

- Si les pièces détachées doivent être remplacées, commander les pièces détachées D'ORIGINE auprès d'un concessionnaire agréé.
- Retourner la machine au centre d'entretien, si elle ne fonctionne pas comme d'habitude ou si elle est endommagée.
- Pour assurer un fonctionnement adéquat et sécurisé de la machine, l'entretien prévu indiqué dans le chapitre correspondant de ce manuel doit être effectué par le personnel autorisé ou un concessionnaire ou revendeur agréé.
- La machine doit être correctement éliminée, étant donné la présence de matières toxiques (batteries, etc.) soumises à des normes qui exigent l'élimination dans des centres spéciaux (voir le chapitre Mise au rebut).
- Cette machine est un outil de nettoyage qui ne doit pas être utilisé à d'autres fins.
- Toujours garder les ouvertures exemptes de poussière, de poils et de tout autre corps étranger qui pourrait réduire le flux d'air. Ne pas utiliser la machine si les ouvertures sont bouchées.
- Utiliser la machine à condition de disposer d'un éclairage adapté.
- Le phare avant ne doit être utilisé que pour améliorer la visibilité sur le sol à nettoyer, mais il n'autorise personne à utiliser la machine dans des environnements sombres.
- Cette machine n'est pas conçue pour être utilisée par des personnes (y compris des enfants) avec des facultés physiques, sensorielles ou mentales réduites, ou manquant d'expérience et de connaissances.
- Une attention particulière est nécessaire lorsqu'elle est utilisée à proximité d'enfants.
- Les enfants doivent être surveillés afin de s'assurer qu'ils ne jouent pas avec la machine.
- Tout en utilisant cette machine, prendre soin de ne pas causer de dommages aux personnes ou aux objets se trouvant aux alentours.
- Les opérateurs doivent être formés correctement à l'utilisation de cette machine.
- N'utilisez pas la machine sans une structure de protection contre les chutes d'objets (SPCO) dans les zones où des objets risquent de tomber et de blesser l'opérateur.
- Toujours protéger la machine contre la pluie et les intempéries, en cours de fonctionnement et en cas d'inactivité. Ranger la machine à l'intérieur, dans un environnement sec : cette machine doit être utilisée dans des conditions sèches et ne doit pas être utilisée ou conservée à l'extérieur dans des conditions humides.
- Régler les vitesses de fonctionnement en fonction des conditions du sol.
- Éviter les arrêts brusques et conduire à basse vitesse lorsque la machine descend. Éviter les virages serrés.
- Cette machine ne doit pas être utilisée sur les routes ou les rues publiques.

## DESCRIPTION DE LA MACHINE

## STRUCTURE DE LA MACHINE

1. Couvercle du réservoir
2. Réservoir de solution (\*)
3. Clignotant
4. Équerre de sortie d'air
5. Couvercle du compartiment du filtre
6. Bouton moleté
7. Trémie
8. Loquet
9. Roue arrière de la trémie
10. Volant
11. Réservoir de solution
12. Port USB de charge
13. Sac pour téléphone
14. Pédale d'accélération
15. Ancrage de levage de la machine
16. Châssis
17. Couvercle droit
18. Lame latérale
19. Roue d'entraînement (avec frein mécanique)
20. Prise du chargeur embarqué (\*)
21. Connecteur du chargeur externe
22. Voyant d'avertissement
23. Siège réglable (avec interrupteur de sécurité)
24. Lumière bleue (\*)
25. Étiquette du logo
26. Phares
27. Bec de pulvérisation
28. Brosse latérale
29. Pare-chocs droit
30. Vanne de solution
31. Couvercle
32. Porte-gobelet
33. Couvercle gauche
34. Pédale du volet
35. Frein de stationnement
36. Pare-chocs gauche
37. Lame avant
38. Roue avant

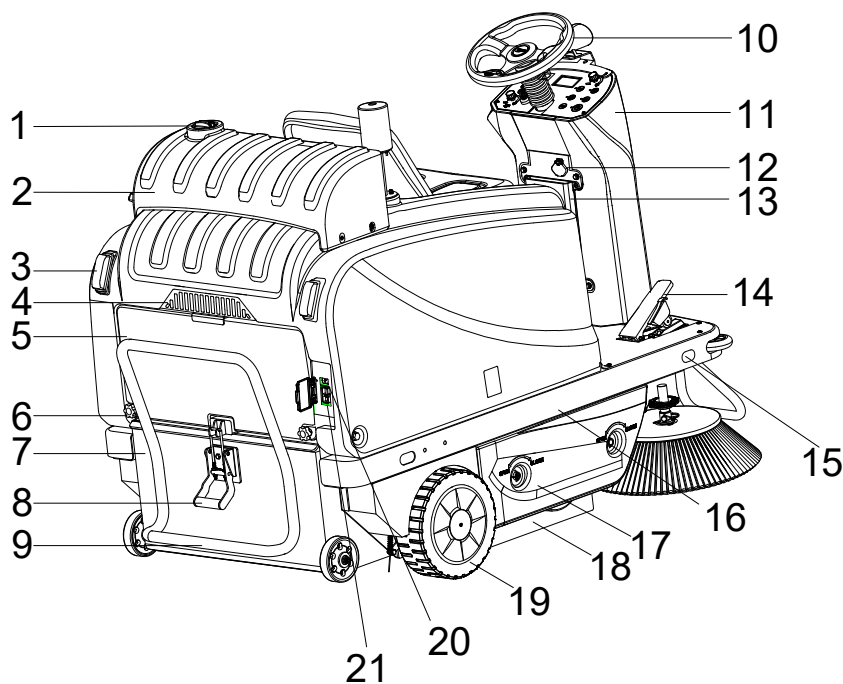


Figure 1

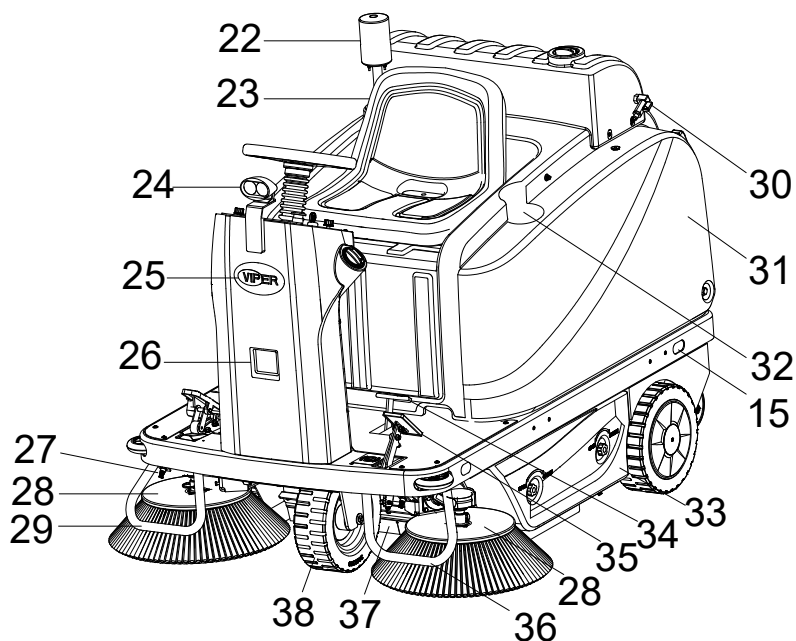


Figure 2



## PANNEAU DE COMMANDE

47. Affichage multifonction  
Éléments affichés :
- A) Mode de fonctionnement séparé pompe/moteur d'aspiration/lame latérale
  - B) Mode de démarrage à bouton unique
  - C) Mode d'arrêt de sécurité (interrupteur de sécurité du siège désactivé)
  - D) Mode de marche arrière
  - E) Mode de freinage/stationnement
  - F) Mode de chargement de la batterie
  - G) Pompe en marche
  - H) Moteur d'aspiration en marche
  - I) Brosse latérale en marche
  - J) Type de batterie
  - K) Niveau de la batterie
  - L) Durée de fonctionnement (compteur d'heures)
  - M) Pompe en panne
  - N) Moteur d'aspiration en marche
  - O) Brosse principale en marche
  - P) Brosse latérale en marche
  - Q) Secoueur du filtre en panne
48. Bouton de réglage de la vitesse
49. Bouton d'aspiration
- Activer/désactiver le moteur d'aspiration
50. Bouton de la pompe
- Activer/désactiver la pompe
51. Bouton de la brosse latérale
- Activer/désactiver la brosse latérale
52. Bouton du secoueur du filtre
- Activer/désactiver le secoueur du filtre
  - Appuyer pendant 1 seconde pour passer en mode Nettoyage automatique (le voyant du secoueur du filtre clignote) et appuyer à nouveau pendant 1 seconde pour terminer.
53. Démarrage à bouton unique
- Activer/désactiver tous les moteurs d'aspiration, les brosses principales et les brosses latérales
54. Bouton marche avant/marche arrière
55. Bouton du klaxon
56. Clé de contact (I=ON, O=OFF)
57. Bouton de réglage de la vitesse de la brosse latérale
58. Bouton des phares avant
- Activer/désactiver le phare
  - Appuyer pendant 1 seconde pour activer/désactiver la lumière bleue (le cas échéant)
59. Bouton du clignotant gauche
60. Bouton du clignotant droit
61. Bouton d'arrêt d'urgence
62. Disjoncteur du moteur de la brosse latérale (L) F8 (10A)
63. Disjoncteur du moteur de la brosse latérale (R) F9 (10A)
64. Disjoncteur du moteur de la brosse principale F7 (30A)
65. Disjoncteur du moteur d'aspiration F11 (10A)
66. Disjoncteur de la commande principale F6 (5A)
67. Disjoncteur du moteur du secoueur du filtre F10 (10A)
68. Fusible d'alimentation de la commande F5 (150A/70VDC)

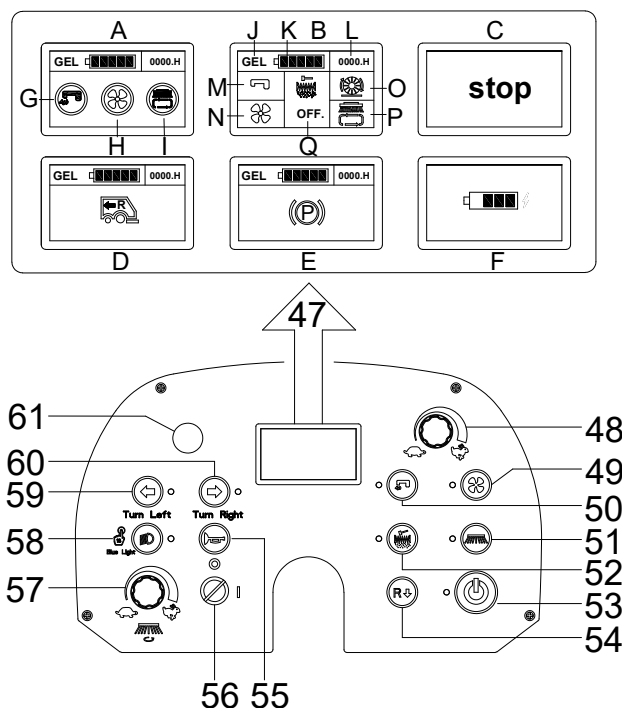


Figure 4

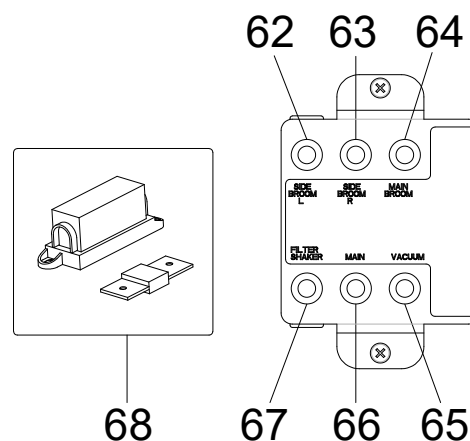


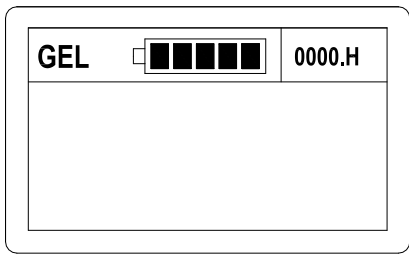
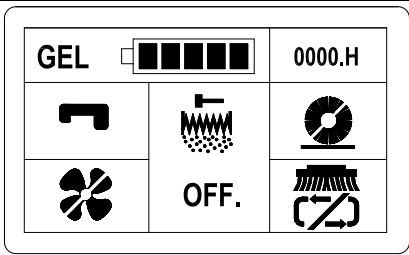
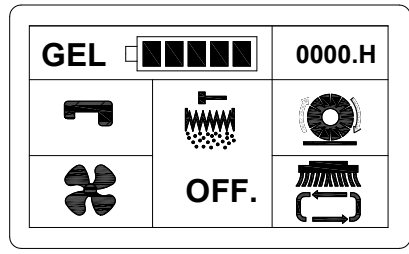
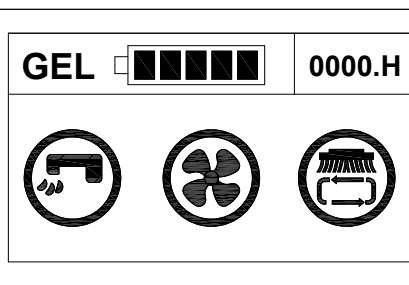
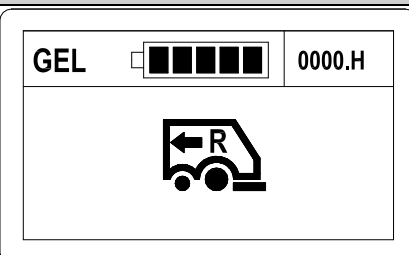
Figure 5

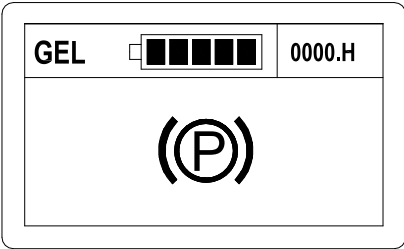

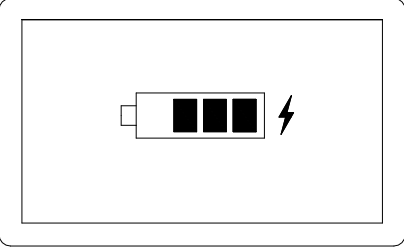
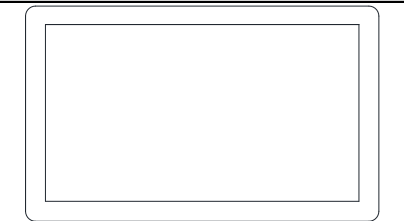


**REMARQUE**  
(Entretien du disjoncteur se reporter au chapitre Dépannage)



## DESCRIPTION DU MODE DE TRAVAIL

QUE FAIRE	AFFICHEUR	DESCRIPTION
<b>Mode veille</b>		
<ul style="list-style-type: none"> <li>- Clef de contact (56) allumée</li> <li>- Commutateur de sécurité du siège (23) activé</li> <li>- Bouton unique de démarrage (53) éteint</li> </ul>		<ol style="list-style-type: none"> <li>1. Le point dans le compteur d'heures ne clignote pas.</li> <li>2. L'écran LCD affiche uniquement le type de batterie, le niveau de la batterie et la durée d'exécution.</li> <li>3. Toutes les fonctions de la pompe, du moteur d'aspiration, du secoueur de filtre, des brosses principales et latérales sont désactivées. (Le moteur d'aspiration s'éteindra dans quelques secondes s'il est allumé.)</li> </ol>
<b>Mode de démarrage à bouton unique</b>		
<ul style="list-style-type: none"> <li>- Clef de contact (56) allumée</li> <li>- Commutateur de sécurité du siège (23) activé</li> <li>- Bouton unique de démarrage (53) activé</li> </ul>		<ol style="list-style-type: none"> <li>1. Le point dans le compteur d'heures ne clignote pas.</li> <li>2. L'icône de goutte d'eau du robinet ne s'affiche pas.</li> <li>3. L'icône du ventilateur ne tourne pas.</li> <li>4. L'icône du secoueur de filtre affiche « OFF ».</li> <li>5. L'icône de la flèche de la brosse principale et latérale ne tourne pas.</li> </ol>
<ul style="list-style-type: none"> <li>- Clef de contact (56) allumée</li> <li>- Bouton unique de démarrage (53) activé</li> <li>- Commutateur de sécurité du siège (23) activé</li> <li>- Pédale d'accélérateur (32) enfoncée</li> </ul>		<ol style="list-style-type: none"> <li>1. Le point dans le compteur d'heures clignote.</li> <li>2. L'icône de goutte d'eau du robinet ne s'affiche pas.</li> <li>3. L'icône du ventilateur tourne.</li> <li>4. L'icône du secoueur de filtre affiche « OFF ».</li> <li>5. L'icône de la flèche de la brosse principale et latérale tourne.</li> </ol>
<b>Mode de fonctionnement séparé</b>		
<ul style="list-style-type: none"> <li>- Clef de contact (56) allumée</li> <li>- Commutateur de sécurité du siège (23) activé</li> <li>- Bouton unique de démarrage (53) éteint</li> <li>- Bouton d'aspiration (49) / bouton de la pompe (50) / bouton de la brosse latérale (51) / bouton du secoueur de filtre (52) activé</li> <li>- Pédale d'accélérateur (32) enfoncée</li> </ul>		<ol style="list-style-type: none"> <li>1. Le point dans le compteur d'heures clignote.</li> <li>2. L'icône de goutte d'eau du robinet clignote.</li> <li>3. L'icône du ventilateur tourne. (Si le secoueur de filtre est activé, le moteur d'aspiration s'éteindra.)</li> <li>4. L'icône de la flèche de la brosse latérale tourne.</li> </ol>
<b>Mode de marche arrière</b>		
<ul style="list-style-type: none"> <li>- Clef de contact (56) allumée</li> <li>- Commutateur de sécurité du siège (23) activé</li> <li>- Bouton marche avant/marche arrière (54) activé</li> </ul>		Le klaxon retentit pour l'avertisseur sonore de marche arrière

QUE FAIRE	AFFICHEUR	DESCRIPTION
<b>Mode de freinage/stationnement</b>		
<ul style="list-style-type: none"> <li>- Clef de contact (56) allumée</li> <li>- Commutateur de sécurité du siège (23) activé</li> <li>- Frein de stationnement mécanique (35) enfoncé</li> </ul>		<p>La machine s'arrête de bouger. D'autres fonctions restent dans leur état d'origine.</p>
<b>Mode arrêt de sécurité</b>		
<ul style="list-style-type: none"> <li>- Clef de contact (56) allumée</li> <li>- Commutateur de sécurité du siège (23) éteint (L'opérateur quitte le siège de la machine)</li> </ul>		<ol style="list-style-type: none"> <li>1. L'icône « STOP » alterne avec la barre d'état à l'écran.</li> <li>2. Toutes les fonctions sont arrêtées à l'exception de la commande de l'avertisseur sonore et de la lumière.</li> </ol>
<b>Mode de chargement</b>		
<ul style="list-style-type: none"> <li>- Branchez la prise du chargeur à l'alimentation</li> </ul>		<ol style="list-style-type: none"> <li>1. L'écran LCD affiche l'état de charge.</li> <li>2. Toutes les fonctions sont arrêtées.</li> </ol>
<b>Désactiver le mode</b>		
<ul style="list-style-type: none"> <li>- Touche (56) éteinte</li> <li>- Ou le bouton d'arrêt d'urgence (61) sur</li> </ul>		<ol style="list-style-type: none"> <li>1. Coupure de courant.</li> <li>2. L'écran LCD est éteint.</li> </ol> <p><b>Remarque : Avant de désactiver la clé (56), désactivez le démarrage à un bouton (53) et attendez que la brosse monte en position complètement relevée.</b></p>

## ACCESSOIRES

Les accessoires suivants sont facultatifs :

1. Batteries WET/GEL/AGM/TPPL
2. Chargeur de batterie
3. Brosses principales et latérales avec des poils plus durs ou plus souples
4. Lumière bleue
5. Bavette de dessus
6. Réservoir de solution monté à l'arrière

Pour de plus amples informations concernant les accessoires facultatifs mentionnés ci-dessus, contactez un distributeur agréé

## DONNÉES TECHNIQUES

Paramètre	Valeur
Longueur de la machine	1680 mm/66,1 pouces
Largeur de la machine (sans les brosses latérales)	1055 mm/41,5 pouces
Hauteur maximale de la machine	1300 mm/51,2 pouces
Largeur de nettoyage (sans les brosses latérales)	700 mm/27,6 pouces
Largeur de nettoyage (avec deux brosses latérales)	1350 mm/53,1 pouces
Distance minimale du sol (lames non incluses)	60 mm/2,4 pouces
Taille de la brosse principale (diamètre x longueur)	300 x 700 (mm) / 11,8x27,6 (po)
Diamètre de la brosse latérale	500 mm/19,7 pouces
Vitesse de la brosse principale	600 tr/min
Vitesse de la brosse latérale	0-98 tr/min
Pression spécifique des roues avant sur le sol	0,88 N/mm <sup>2</sup>
Pression spécifique des roues arrière sur le sol	0,6 N/mm <sup>2</sup>
Poids de la machine (sans batteries)	361 kg/794,2 livres.
Masse totale en charge (MTC)	688 kg/1516,8 livres.
Poids d'expédition	495 kg/1089 livres.
Taille d'expédition	1810x1180x1500(mm) / 71.3x46.5x59.1(po)
Capacité de la trémie	130 L / 34,3 Gal.
Moteur de la brosse principale	Entrée 624 W sortie 500 W / Entrée 0,85 HP sortie 0,68 HP
Moteurs de la brosse latérale	Entrée 280 W sortie 100 W / Entrée 0,38 HP sortie 0,14 HP
Moteur du système d'entraînement	Entrée 936 W sortie 650 W / Entrée 1,2 HP sortie 0,88 HP
Moteur du système d'aspiration	Entrée 168 W sortie 139 W / Entrée 0,23 HP sortie 0,19 HP
Moteur du secoueur du filtre	Entrée 144 W sortie 100 W / Entrée 0,2 HP sortie 0,14 HP
Puissance nominale	2640 W / 3,6 CV
Consommation électrique	950 W / 1,3 CV
Niveau de pression acoustique au poste de travail (ISO 11201, ISO 4871) (LpA)	72 ± 3 dB(A)
Puissance acoustique de sortie de la machine (ISO 3744, ISO 4871) (LwA)	86 ± 3 dB(A)
Niveau de vibration au niveau des bras de l'opérateur (ISO 5349-1) (*)	<2,5 m/s <sup>2</sup>
Niveau de vibration au niveau du corps de l'opérateur (ISO 2631-1) (*)	<1,5 m/s <sup>2</sup>
Indice de protection IP	IP 24

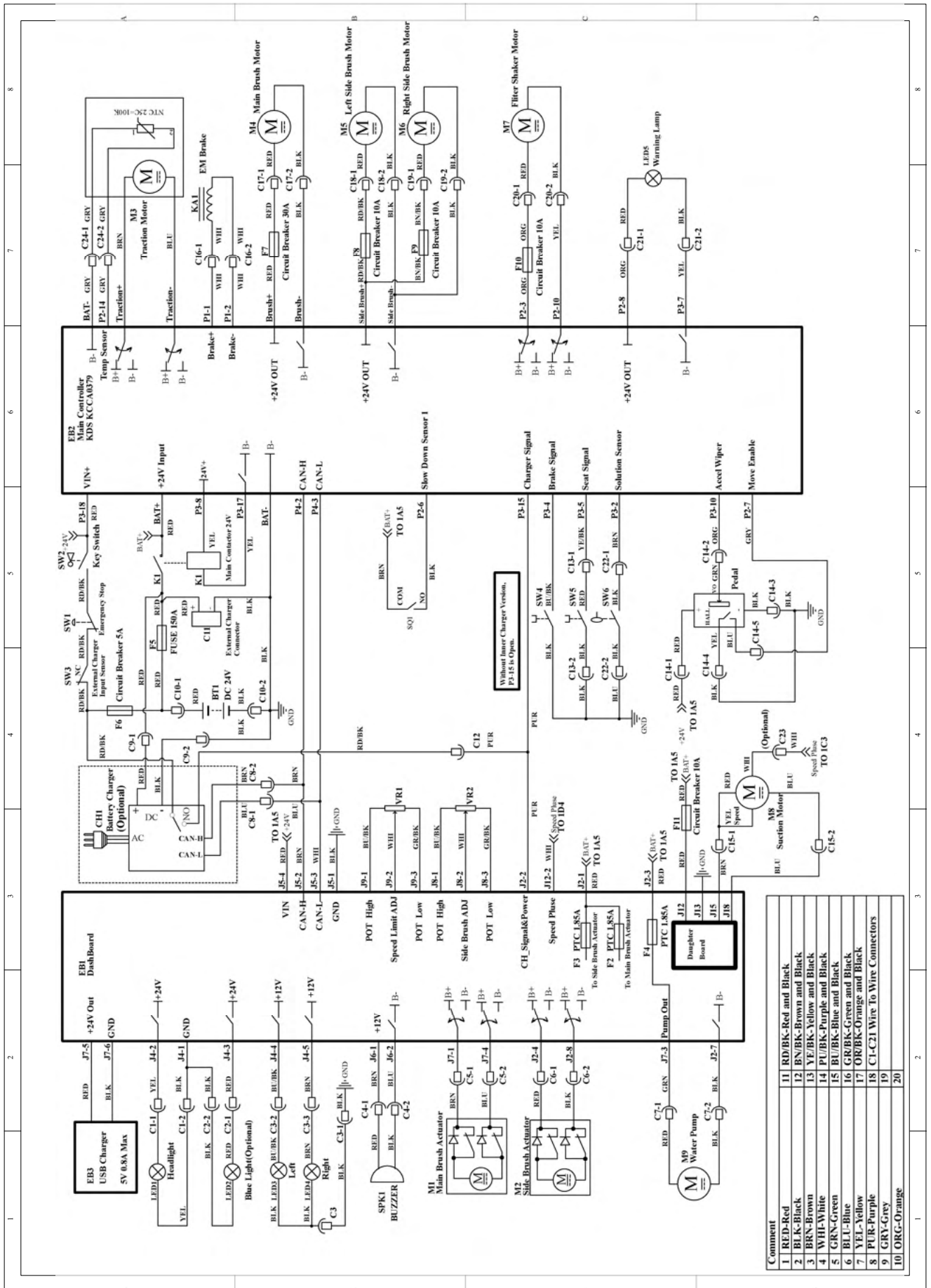
(\*) Dans des conditions de travail normales, sur une surface asphaltée plane.

Performance	Valeur
Vitesse d'avance maximum	8 km/heure / 5 miles/heure
Vitesse d'inversion maximale	4 km/heure / 2,5 milles à l'heure
Gravissement de pentes (mode de transport uniquement) max.	20%
Gravissement de pentes (mode de fonctionnement) max.	16%
Largeur mini de l'allée de retour	2550 mm/100,4 pouces

Batterie (option)	Valeur
Tension de la batterie	CC 24 V
Taille intérieure du compartiment de la batterie (longueur x largeur x hauteur)	762 x 330 x 370 (mm)/ 30 x 13 x 14,6 (pouces)

Aspiration et filtration	Valeur
Filtre à poussière	3,5 m <sup>2</sup> / 37,7 ft <sup>2</sup>
Aspirateur du compartiment de la brosse principale	8,8 mm H <sub>2</sub> O
Agitateur du filtre	Électrique

SCHÉMA DE CÂBLAGE



Comment	Wire Color / Connector
1	RED-Red
2	BLK-Black
3	BRN-Brown
4	WHI-White
5	GRN-Green
6	BLU-Blue
7	YEL-Yellow
8	PUR-Purple
9	GRY-Grey
10	ORG-Orange

## GUIDE D'UTILISATION



### AVERTISSEMENT !

Il y a des étiquettes indiquant ce qui suit à certains endroits de la machine :

- DANGER !
- AVERTISSEMENT !
- ATTENTION !
- CONSULTATION

En lisant ce manuel, l'opérateur doit prêter une attention particulière aux symboles figurant sur les étiquettes. Ne pas couvrir ces étiquettes, quelque en soit la raison, et les remplacer immédiatement en cas de détérioration.

## VÉRIFICATION/RÉGLAGE DE LA BATTERIE SUR UNE NOUVELLE MACHINE



### AVERTISSEMENT !

Les composants électriques de la machine peuvent être sérieusement endommagés si les batteries sont mal installées ou mal connectées. Les batteries doivent être uniquement installées par un personnel qualifié. Définir le type de batterie selon la procédure ci-dessous en fonction du type de batteries utilisé (batteries WET ou GEL/AGM/DIS/EXI/FUL/OPT/ENE(TPPL)). Vérifiez les dommages à la batterie avant installation. Déconnecter le connecteur de la batterie et la fiche du chargeur de la batterie. Manipuler les batteries avec grande précaution. Installer les bouchons de protection des bornes de la batterie fournis avec la machine.



### REMARQUE

La machine nécessite six batteries de 6 V, connectées et installées dans les positions illustrées à la figure 6.

### Batteries déjà installées dans la machine

1. Vérifier que le connecteur de batterie est connecté.
2. À la première utilisation de la machine avec des batteries neuves, effectuer un cycle de charge complet (voir la procédure au chapitre Entretien).

### Sans batterie

1. Acheter des batteries adaptées (se reporter au chapitre « Données Techniques »). Pour le choix et l'installation des batteries, s'adresser à des revendeurs de batteries qualifiés.
2. Définir le type de batterie conformément aux procédures ci-dessous.

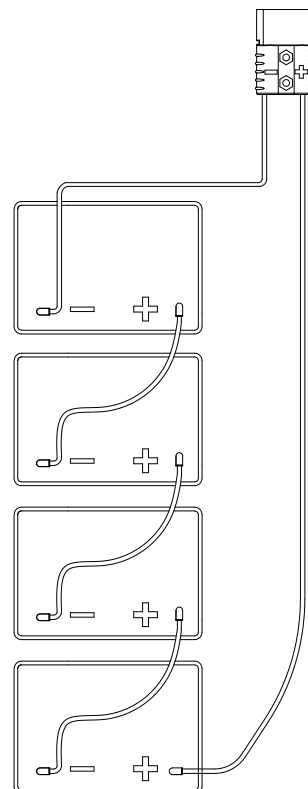


Figure 6

## INSTALLATION DES BATTERIES ET RÉGLAGE DU TYPE DE BATTERIE (WET/GEL/AGM/DIS/EXI/FUL/OPT/ENE(TPPL))

### Installation de la batterie

1. S'assurer que la machine est désactivée avec la clé de contact et que le frein de stationnement est serré.
2. Faire basculer le couvercle (31, figure 2) soigneusement.
3. La machine est équipée de câbles de batterie adaptés à l'installation de batteries 4X6V. Mettre soigneusement les batteries dans le compartiment, puis les installer correctement.
4. Acheminer et installer les câbles de la batterie comme indiqué dans la Figure 6, puis serrer soigneusement l'écrou sur chaque borne de la batterie.
5. Placer le capuchon de protection sur chaque borne, puis brancher le connecteur de la batterie au connecteur de la machine.
6. Retourner le couvercle soigneusement.

### Réglage du type de batterie (WET/GEL/AGM/DIS/EXI/FUL/OPT/ENE(TPPL))

#### Accès pour sélectionner le mode de batterie

Selon le type de batteries (WET/GEL/AGM/DIS/EXI/FUL/OPT/ENE(TPPL)), régler la machine de la manière suivante :

7. Appuyer simultanément sur le bouton aspiration (A, figure 7) et le bouton de la pompe (B, figure 7)
8. Insérer la clé de contact (C, Figure 7) et la tourner sur « I ».
9. Quelques secondes plus tard, le système passe en mode de sélection de la batterie (figure 7).
10. Relâcher le bouton d'aspiration (A, figure 7) et le bouton de la pompe (B, figure 7).
11. Appuyer sur le bouton d'aspiration (A, figure 7) et sur le bouton de la pompe (B, figure 7) afin de sélectionner le type de batterie (E, figure 7).
12. Appuyer sur le bouton des phares (D, figure 7), environ 1 seconde plus tard, l'écran affiche « Update OK » (Mise à jour OK), indiquant que le type de batterie est configuré, puis redémarrer la machine. (C, Figure 7).

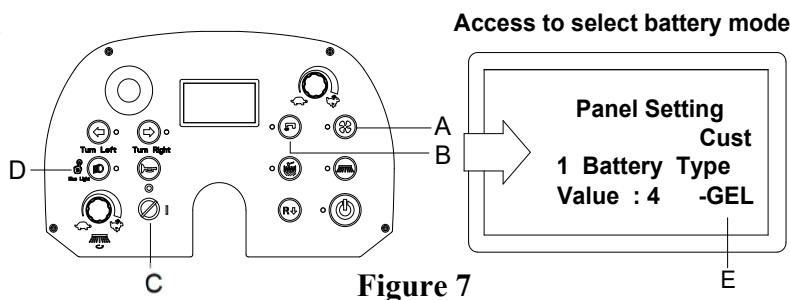


Figure 7

### Chargement de la batterie

Charger totalement les batteries (voir la procédure au chapitre d'entretien).

### Déchargement des batteries

1. Lorsque l'icône de la batterie affiche que la batterie est pleine (G, figure 8), les batteries sont entièrement chargées.
2. Lorsque l'icône de la batterie affiche que le niveau de la batterie est faible (H, figure 8), les batteries doivent être chargées. Plusieurs secondes après l'affichage du niveau bas de la batterie, les moteurs de la brosse principale/brosse latérale/aspirateur/pompe/secoueur du filtre sont automatiquement désactivés, tandis que le système d'entraînement reste activé. Conduire la machine jusqu'à la zone de charge désignée afin de la charger immédiatement.
3. Lorsque la tension de la batterie est très faible, un avertissement d'erreur « Battery VOL Low » (Tension de la batterie faible) (I, figure 8) clignote sur l'écran. Les moteurs de la brosse principale/de la brosse latérale/de l'aspirateur/de la pompe/du secoueur du filtre sont automatiquement désactivés et le système d'entraînement est également désactivé afin de protéger les batteries.

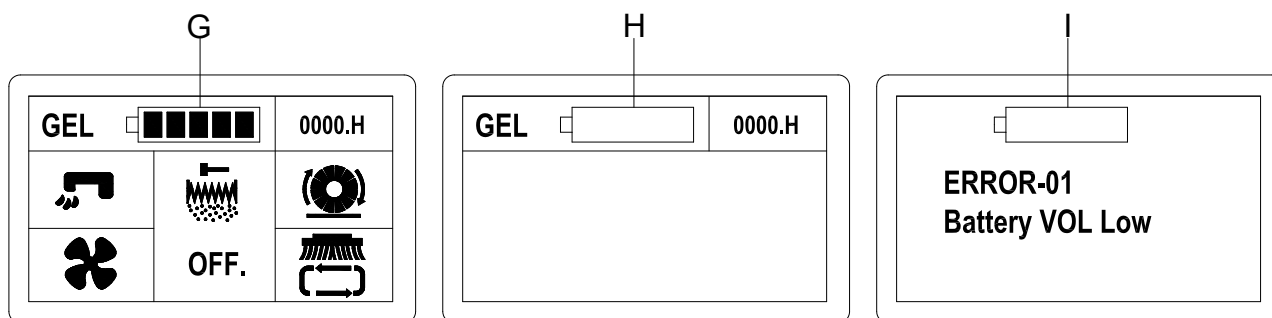


Figure 8

## AVANT LE DÉMARRAGE DE LA MACHINE

### Liste de contrôle

1. Avoir une connaissance complète des commandes de fonctionnement de la machine et de leurs fonctions.
2. Asseyez-vous sur le siège (A, figure 9), insérez la clé de contact (J, figure 9) et démarrez la machine. (Reportez-vous aux procédures dans le paragraphe suivant)
3. Vérifiez le niveau de la batterie. Si l'icône de la batterie sur l'écran LCD (G, figure 9) est de 5 barres, les batteries sont complètement chargées pour l'utilisation. Si elle est de 1 barre ou moins, les batteries doivent être chargées avant le fonctionnement. (Reportez-vous au chapitre Maintenance pour le chargement des batteries)
4. Vérifiez le frein de stationnement (F, figure 9). Le frein doit maintenir fermement son réglage (verrouillé) sans être facilement relâché (signalez immédiatement tous les défauts au centre de service Nilfisk).
5. Vérifiez le bon fonctionnement de la pédale du volet (E, figure 9).
6. Appuyez légèrement sur la pédale d'accélération (D, figure 9), puis relâchez-la afin de vérifier si la machine peut être dirigée vers l'avant et arrêtée.
7. Afin de garantir la sécurité, confirmez si la machine peut être arrêtée immédiatement en appuyant sur le bouton d'urgence (B, figure 9). Tournez le bouton d'urgence afin de le réinitialiser.



### AVERTISSEMENT !

Si la pédale est « spongieuse » ou disparaît sous la pression sans une force de freinage efficace, ne conduisez pas la machine (signalez immédiatement tous les défauts au centre de service Nilfisk).

8. Assurez-vous qu'il n'y a pas de couvercles/capots ouverts et que la machine est dans des conditions normales de fonctionnement.
9. Assurez-vous que la trémie (H, figure 9) est correctement fermée.

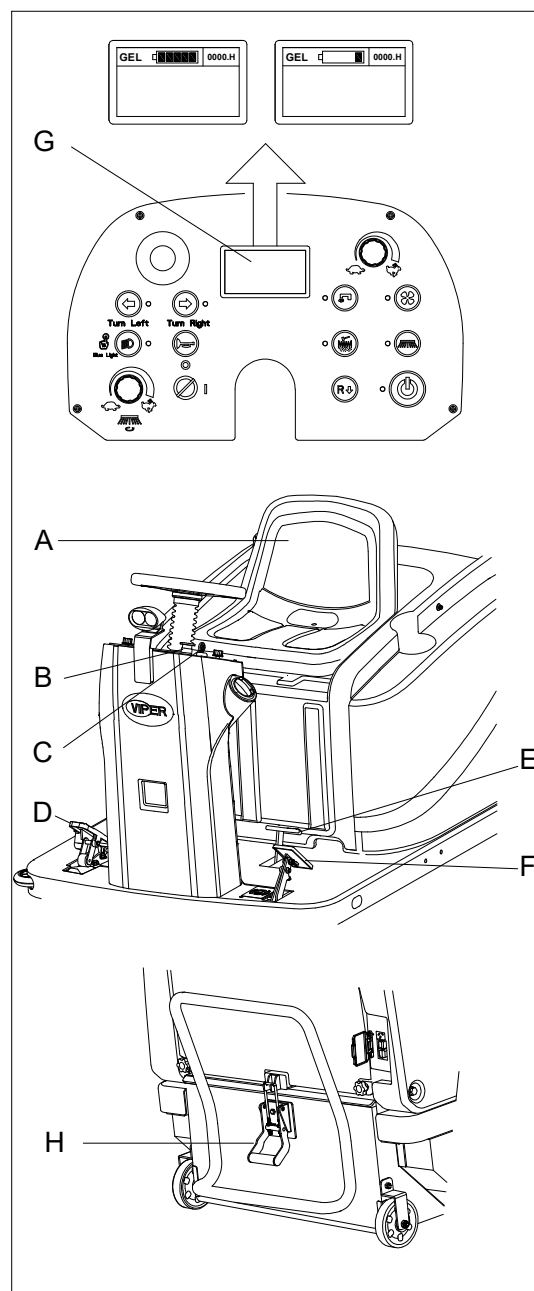


Figure 9

### Planification du nettoyage

1. Effectuez de longues distances en réduisant au maximum le nombre d'arrêts et de redémarrages.
2. Les passages de la brosse doivent se chevaucher légèrement afin d'assurer une couverture complète de la surface.
3. Évitez de tourner trop brusquement, de cogner ou d'effleurer les flancs de la machine.

## DÉMARRAGE ET ARRÊT DE LA MACHINE

### Opérations préliminaires

1. S'asseoir sur le siège du conducteur (A, figure 10) et régler sa position à l'aide du levier (C, figure 10) de manière à accéder facilement à toutes les commandes.



#### REMARQUE

Le siège du conducteur (A, figure 10) est équipé d'un capteur de sécurité, qui permet à la machine d'être conduite uniquement lorsque l'opérateur est assis sur le siège du conducteur.

### Démarrage de la machine

2. S'asseoir sur le siège (A, Figure 10), insérer la clé de contact (J, Figure 10) et la tourner sur « I ».
3. Desserrer le frein de stationnement et conduire la machine dans la zone de travail.
4. Appuyer sur le bouton de démarrage à un bouton (M, figure 10) pour démarrer la machine, les brosses latérales et la brosse principale sont automatiquement abaissées jusqu'au sol.
5. Appuyer sur la pédale d'accélérateur (E, figure 10), faire avancer ou reculer la machine avec le volant (B, figure 10) et le bouton marche avant/marche arrière (L, figure 10). La vitesse de conduite peut être réglée avec le bouton de réglage de la vitesse (N, figure 10). Les brosses principales/latérales et le moteur d'aspiration commencent à fonctionner.
6. Régler la vitesse de la brosse latérale avec le bouton de réglage de la vitesse de la brosse latérale (I, figure 10) en fonction des exigences de nettoyage.
7. Le port de chargement USB (D, figure 10) peut être utilisé pour charger un téléphone mobile ou un bloc lorsque la clé de contact (J, figure 10) est tournée sur « I ».
8. Appuyer sur le bouton du klaxon (K, Figure 10) pour avertir les gens en cas de besoin.



#### REMARQUE

A brosse principale et les brosses latérales (F et H, figure 10) peuvent être abaissées et soulevées même lorsque la machine est en mouvement. Les brosses principales et latérales ne tournent pas lorsqu'elles sont soulevées.

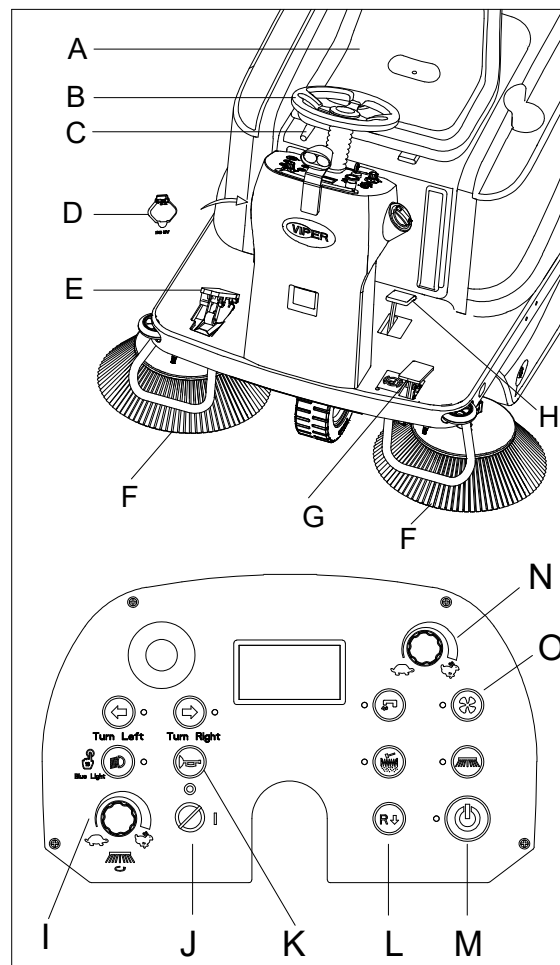


Figure 10

9. Commencer le balayage en tournant le volant (B, figure 10) et en faisant avancer la machine avec la pédale d'accélérateur (E, figure 10).

### Arrêt de la machine

10. Relâcher la pédale d'accélérateur (E, figure 10), la machine arrête d'avancer.
11. Appuyer à nouveau sur le bouton de démarrage à un bouton (M, figure 10) afin de désactiver les brosses, le moteur d'aspiration et la pompe. La brosse principale et les brosses latérales sont automatiquement soulevées du sol. Le système d'aspiration est désactivé après un délai de quelques secondes.
12. Tourner la clé de contact sur « O ».
13. Serrer le frein de stationnement.



## FREIN DE STATIONNEMENT

1. Serrer le frein de stationnement en appuyant sur l'avant de la pédale (A, figure 11) et en activant le levier (B, figure 11).
2. Desserrer le frein de stationnement en appuyant sur l'arrière de la pédale (C, figure 11) et en la relâchant.



### AVERTISSEMENT !

Avant d'effectuer toute opération d'entretien, de réparation, de nettoyage ou de remplacement, serrer le frein de stationnement.

Ne pas garer la machine sur une rampe.

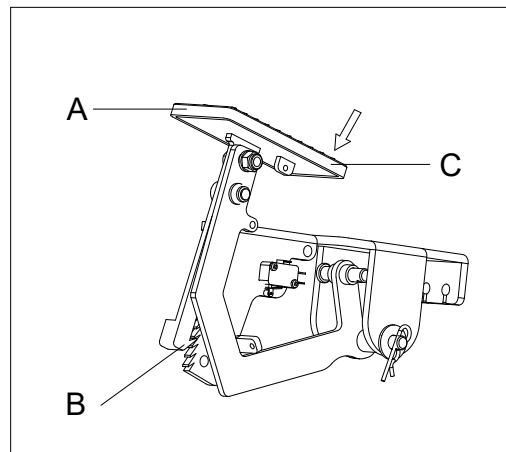


Figure 11

## FONCTIONNEMENT DE LA MACHINE



### AVERTISSEMENT !

Si la machine est utilisée sur des pentes, respecter les valeurs de pente maximales indiquées sur la machine (se reporter au chapitre « Données techniques »).



### AVERTISSEMENT !

Faire attention en utilisant la machine à grande vitesse : une conduite brusque pourrait rendre cette machine à trois roues instables en raison de la répartition du poids. Réduire toujours la vitesse avant la conduite.

1. Conduire la machine dans la zone de travail comme indiqué dans le paragraphe précédent.
2. Faire avancer la machine en ligne droite à grande vitesse. Ralentir lors du balayage d'une grande quantité de poussières ou de débris ou lorsque la sécurité l'exige. Pour obtenir des résultats optimaux, il est recommandé de chevaucher les trajectoires de balayage de plus de 10 cm (4 pouces).
3. Éviter d'arrêter la machine dans la même position pendant une longue période avec les brosses en rotation : cela pourrait créer des marques indésirables sur le sol.
4. Pour capter la lumière et les déchets encombrants, soulever la lame avant en appuyant sur la pédale du volet (H, figure 10) ; tenir compte du fait que la capacité d'aspiration de la machine est réduite lorsque la lame avant est soulevée.



### ATTENTION !

En travaillant sur des sols humides, il est essentiel de désactiver le système d'aspiration en appuyant sur le bouton d'aspiration (A, figure 12) afin d'éviter d'endommager le filtre à poussière.

5. Pour un bon fonctionnement de la machine, le filtre à poussière doit être aussi propre que possible. Pour le nettoyer pendant le balayage, activer l'agitateur de filtre en appuyant sur le bouton de l'agitateur de filtre (B, figure 12). Pendant cette opération, le moteur d'aspiration est automatiquement désactivé. Après avoir nettoyé le filtre, le système d'aspiration reprend automatiquement son fonctionnement ; puis recommencer le balayage. Pendant le fonctionnement, le mode « nettoyage automatique du filtre » peut être activé en appuyant sur le bouton du secoueur du filtre (B, figure 12) pendant 1 seconde, ce qui peut répéter la procédure de nettoyage du filtre toutes les 10 minutes en moyenne (en fonction de la saleté de la zone à nettoyer, l'intervalle peut être réglé de 1 à 60 minutes, pour le réglage des paramètres se reporter au manuel d'entretien).

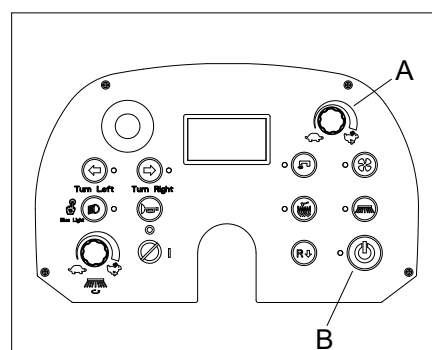


Figure 12



### REMARQUE

Cette procédure peut également être effectuée lorsque la machine est en mouvement.



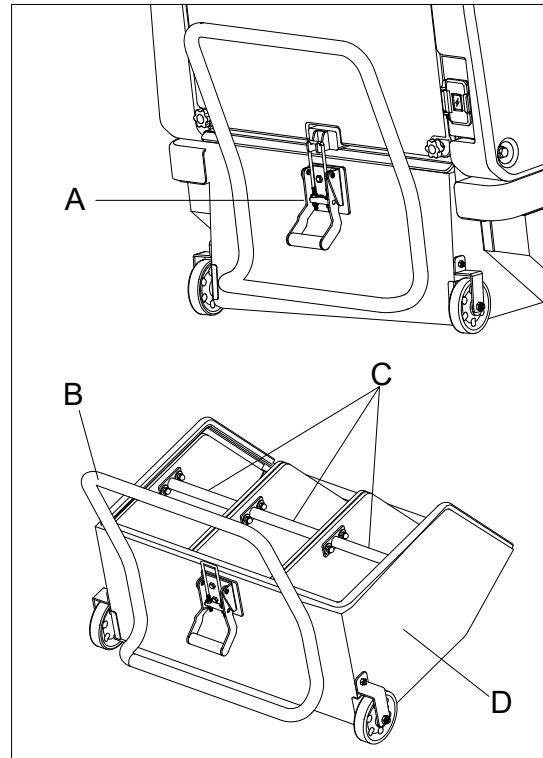
### ATTENTION !

Lorsque le filtre à poussière est encrassé et/ou que la trémie est pleine, la machine ne peut plus ramasser la poussière et les débris.

6. La trémie (D, figure 13) doit être vidée après chaque cycle de travail et à chaque fois qu'elle est pleine (se reporter à la procédure dans le paragraphe suivant).

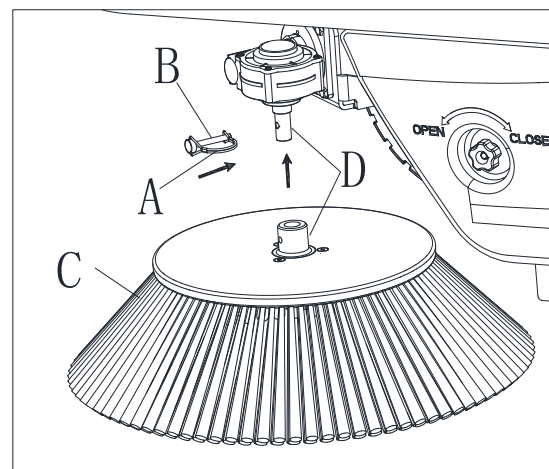
**DÉVERSEMENT DE LA TRÉMIE**

1. Arrêter la machine (se reporter à la procédure dans le paragraphe précédent).
2. Serrer le frein de stationnement.
3. Libérer le loquet (A, figure 13) en tirant sur son extrémité inférieure.
4. Retirer la trémie (D, figure 13) en la dégageant des guides internes avec la poignée (B, figure 13).
5. Éliminer tous les débris dans des conteneurs spéciaux. Afin de faciliter la procédure de décharge, il y a trois boîtes intérieures (en option) avec une poignée (C, figure 13) à l'intérieur de la trémie.
6. Installer les boîtes intérieures avec une poignée (C, figure 13), le cas échéant.
7. Installer la trémie (D, figure 13) et l'insérer dans les guides internes, puis la fixer avec le loquet (A, figure 13).

**Figure 13****INSTALLATION DE LA BROSSE LATÉRALE****AVERTISSEMENT !**

**Il est conseillé de porter des gants de protection lors du remplacement des brosses latérales car il peut y avoir des débris tranchants entre les poils.**

1. Conduire la machine sur une surface plane, puis serrer le frein de stationnement.
2. Tourner la clé de contact sur « O ».
3. Relâcher le ressort (A, figure 14) et retirer la goupille (B, figure 14) de l'arbre de la brosse latérale (C, figure 14).
4. Installer la brosse latérale sur l'arbre du moteur à engrenage, insérer la goupille dans les trous (D, figure 14) et insérer le ressort (A, figure 14).

**Figure 14**

## RÉGLAGE DU DÉBIT DE PULVÉRISATION D'EAU

Régler la machine de la manière suivante :

1. Appuyer simultanément sur le bouton aspiration (A, figure 15) et le bouton de la pompe (B, figure 15).
2. Insérer la clé de contact (C, Figure 15) et la tourner sur « I ».
3. Quelques secondes plus tard, le système passe en mode de réglage utilisateur (figure 15).
4. Relâcher le « bouton d'aspiration » (A, figure 15) et le « bouton de la pompe » (B, figure 15).
5. Appuyer sur le bouton « Tourner à gauche » (E, figure 15) afin de sélectionner l'élément 4 « 4Water Spray Spd » (Vitesse de pulvérisation d'eau) (F, figure 15)
6. Appuyer sur « bouton aspiration » (A, figure 15) ou « bouton de la pompe » (B, figure 15) afin de sélectionner la valeur de la vitesse de pulvérisation d'eau (50%, 60%, 70%...) (G, figure 15).
7. Appuyez sur le « bouton des phares » (D, figure 15), environ 1 seconde plus tard, l'écran affiche « Update OK » (Mise à jour OK), indiquant que le débit de pulvérisation d'eau est réglé, puis redémarrer la machine. (C, Figure 7).

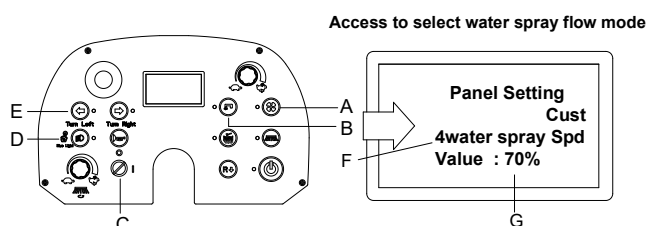


Figure 15

## APRÈS UTILISATION DE LA MACHINE

Après l'utilisation, avant de quitter la machine, effectuer les procédures suivantes.

1. Appuyer sur le bouton de démarrage à un bouton (C, figure 16) afin de désactiver toutes les fonctions (aspirateur, brosses principales/latérales et pompe), puis les brosses principales et latérales seront levées.
2. Appuyer sur le bouton du secoueur du filtre afin d'activer le secoueur du filtre (B, figure 16)
3. Vider la trémie (D, figure 13) (se reporter aux procédures du paragraphe précédent).
4. Tourner la clé de contact (A, figure 16) sur « O » et la retirer.
5. Serrer le frein de stationnement.
6. Au besoin charger totalement les batteries (voir la procédure au chapitre d'entretien).

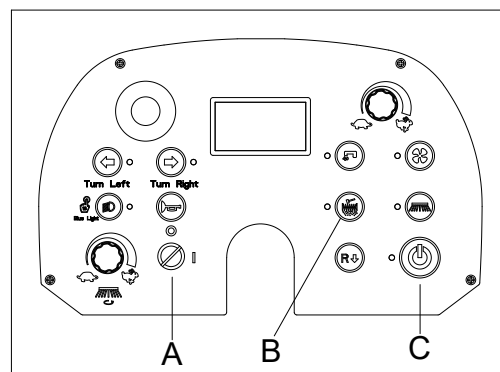


Figure 16

## POUSSER/REMORQUER LA MACHINE

Pour pousser/remorquer la machine lorsqu'elle est éteinte, procédez de la manière suivante :

1. Ouvrez le couvercle (A, figure 17).
2. Tirez la poignée du moteur d'entraînement (B, figure 17) vers l'extérieur.
3. Insérez le tournevis (C, figure 17) dans la fente (D, figure 17). Retournez le couvercle, puis la machine peut être poussée ou remorquée.
4. Lorsque la machine est déplacée vers la destination, retirez le tournevis (C, figure 17), puis la machine peut fonctionner normalement.

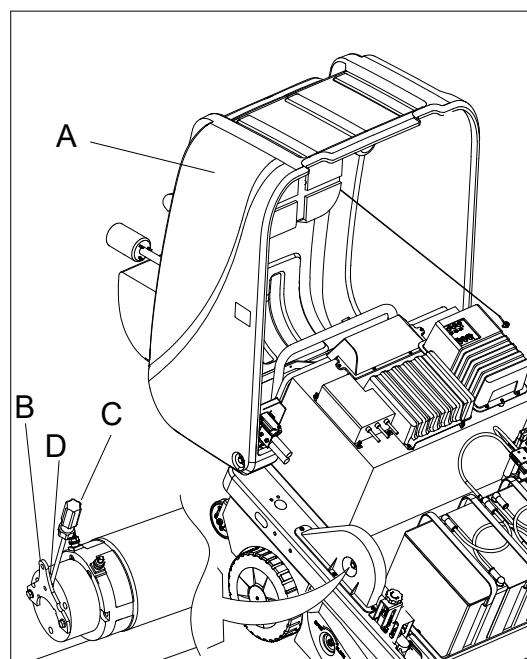


Figure 17

## STOCKAGE DE MACHINE PENDANT UNE LONGUE INACTIVITÉ

Si la machine n'est pas utilisée pendant plus de 30 jours, procéder comme suit :

1. Effectuez les procédures indiquées dans le paragraphe « Après l'utilisation de la machine ».
2. Débrancher le connecteur de la batterie.

## PREMIÈRE PÉRIODE D'UTILISATION

Après les 8 premières heures d'utilisation, vérifier les fixations de la machine et le serrage correct des pièces de liaison et vérifier l'usure et les fuites des pièces visibles.

## ENTRETIEN



### AVERTISSEMENT !

Les procédures d'entretien doivent être effectuées après que la machine ait été éteinte et le câble du chargeur de batterie ait été débranché. En outre, lire attentivement les chapitres sur la sécurité contenus dans ces instructions.

Toutes les procédures de maintenance programmées ou extraordinaires doivent être effectuées par un personnel qualifié ou un centre d'entretien agréé. Ce manuel ne décrit que les procédures d'entretien générales et communes.

Pour d'autres procédures d'entretien qui ne figurent pas dans le tableau ci-dessous, merci de contacter notre service d'assistance technique.

## CALENDRIER D'ENTRETIEN PROGRAMMÉ

Procédure	À la livraison	Toutes les 10 heures	Toutes les 50 heures	Toutes les 100 heures	Toutes les 200 heures	Toutes les 400 heures
Chargement de la batterie						
Contrôle du niveau d'électrolyte de la batterie (WET)		(2)				
Nettoyage de la brosse principale						
Contrôle et réglage de la hauteur de la brosse principale et latérale						
Nettoyage du filtre à poussière et contrôle d'intégrité		(3)				
Vérification de la hauteur et du fonctionnement de la lame						
Vérification du fonctionnement du secoueur du filtre			(*)			
Inspection visuelle de la courroie de transmission de la brosse principale			(*)			
Contrôle et réglage de la pédale du volet				(4)		
Contrôle et nettoyage de la chaîne de direction					(*)	
Remplacement de la courroie de transmission de la brosse principale					(*)	
Vérification ou remplacement du moteur de la brosse principale et du moteur du système d'entraînement des brosses en carbone						(*)

1. (\*) Pour les procédures pertinentes, se reporter au manuel d'entretien.
2. Tous les jours ou après l'utilisation de la machine.
3. Ou avant le démarrage de la machine.
4. Ou plus souvent dans les zones poussiéreuses.

## CHARGEMENT DE LA BATTERIE

**REMARQUE**

Charger les batteries lorsque de niveau de la batterie est faible.

**ATTENTION !**

Garder les batteries chargées peut prolonger leur durée de vie.

**ATTENTION !**

Lorsque les batteries sont déchargées, les charger dès que possible, puisque cette situation raccourcit leur durée de vie. Vérifier le niveau d'électrolyte de la batterie (WET) au moins une fois par semaine.

**AVERTISSEMENT !**

Le chargement des batteries WET produit des gaz d'hydrogène hautement explosifs. Charger les batteries dans des zones bien ventilées et à l'écart des flammes. Ne pas fumer pendant le chargement des batteries. Toujours laisser le réservoir ouvert pendant le chargement des batteries.

**AVERTISSEMENT !**

Faire bien attention lors du chargement des batteries car il peut y avoir des fuites du liquide de la batterie qui est corrosif. S'il entre en contact avec la peau ou les yeux, rincer abondamment à l'eau et consulter un médecin.

**Procédures préliminaires**

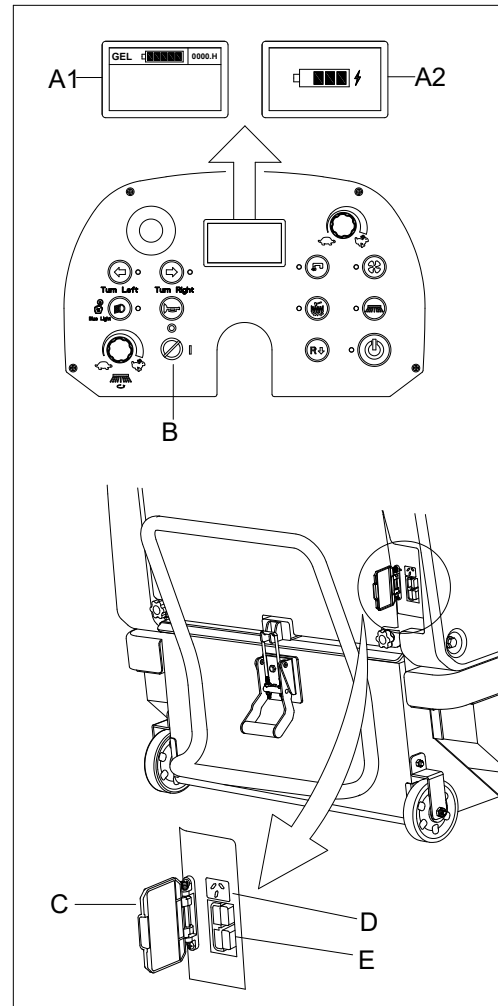
1. Conduire la machine dans la zone de charge désignée.
2. Tourner la clé de contact (B, figure 18) sur « O ».
3. Charger les batteries selon la procédure suivante.

**Chargement de la batterie (machine avec chargeur externe)**

4. Ouvrir le couvercle de protection (D, figure 18). Brancher le connecteur du chargeur de la batterie au connecteur de la machine (E, figure 18). Lorsque le chargeur externe est branché sur la machine, toutes les fonctions de la machine sont automatiquement désactivées.
5. Brancher le chargeur de la batterie dans la prise murale.
6. Lorsque le chargement de la batterie est terminé, débrancher le chargeur de la prise murale, puis débrancher le câble du chargeur de la batterie de la machine.
7. Vérifier le niveau d'électrolyte après le chargement des batteries (pour les batteries WET uniquement).
8. Insérer la clé de contact (B Figure 18) et la tourner sur « I ». Vérifier le niveau de la batterie sur l'écran multifonction (A1, figure 18).

**Chargement de la batterie (machine avec chargeur embarqué)**

9. Ouvrir le couvercle de protection (D, figure 18). Brancher le câble d'alimentation à la fiche du chargeur embarqué (D, figure 18) sur la machine, puis brancher l'autre extrémité du câble d'alimentation dans la prise murale.
10. L'état de la charge peut être vérifié sur l'écran multifonction (A2, figure 18).
11. Lorsque le chargement de la batterie est terminé, débrancher le câble d'alimentation de la prise murale, puis débrancher le câble d'alimentation de la machine.
12. Vérifier le niveau d'électrolyte après le chargement des batteries (pour les batteries WET uniquement).
13. Insérer la clé de contact (B Figure 18) et la tourner sur « I ». Vérifier le niveau de la batterie sur l'écran multifonction (A1, figure 18).



**Figure 18**

## CONTRÔLE ET RÉGLAGE DE LA HAUTEUR DE LA BROSSE PRINCIPALE



### REMARQUE

Des brosses avec des poils plus durs ou plus souples sont disponibles. Cette procédure est applicable à tous les types de brosse.

- Vérifiez la distance de la brosse principale par rapport au sol en suivant les procédures suivantes :
  - Conduire la machine sur une surface plane.
  - Réglez le bouton de réglage de la vitesse (A, figure 19) afin de minimiser la vitesse de conduite.
  - Appuyez sur le bouton de démarrage à un bouton (B, figure 19) afin d'abaisser la brosse principale et de l'activer pendant environ une minute en appuyant sur la pédale d'accélérateur.
  - Arrêtez et soulevez la brosse principale, puis déplacez la machine et désactivez-la.
  - Vérifiez que la longueur de l'empreinte de la brosse principale (A, figure 20) mesure de 2 à 4 cm de large.

Si l'empreinte (A, Figure 20) n'est pas conforme aux spécifications, ajustez la hauteur de la brosse principale selon les procédures suivantes.

- Serrer le frein de stationnement.
- Tourner la clé de contact sur « O ».
- Ouvrez le couvercle.
- Tournez le dispositif de réglage de la brosse principale (B, figure 21) du côté droit de la machine de la manière suivante :
  - Pour augmenter la largeur de l'empreinte, tournez-le dans le sens inverse des aiguilles d'une montre afin d'abaisser la brosse.
  - Pour réduire la largeur de l'empreinte, tournez-le dans le sens des aiguilles d'une montre afin de soulever la brosse.



### REMARQUE

La hauteur de la brosse peut être ajustée en fonction de l'usure des poils de la brosse afin de s'assurer que l'empreinte est conforme aux spécifications.

- Effectuez à nouveau l'étape 1 afin de vérifier le bon réglage de la hauteur de la brosse principale.
- Lorsque la brosse est trop usée pour être réglée, remplacez-la de la manière indiquée dans le paragraphe suivant.



### REMARQUE

Si l'empreinte (A, figure 20) ne peut pas être réglée correctement en raison de la longueur différente des poils entraînant une pression différente sur le sol, consultez le manuel d'entretien.

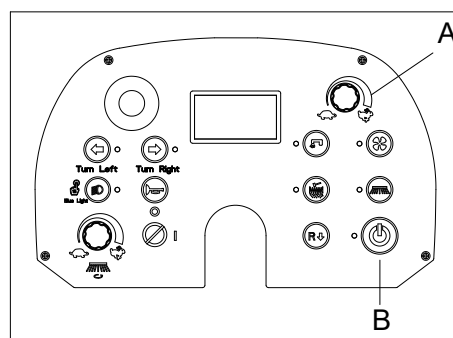


Figure 19

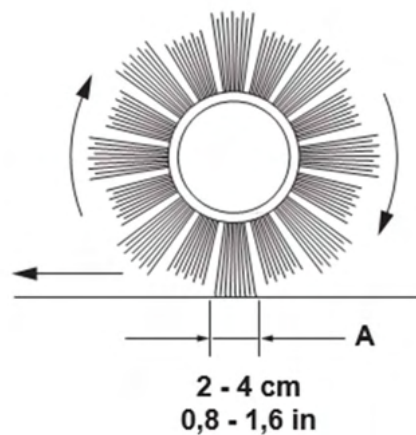


Figure 20

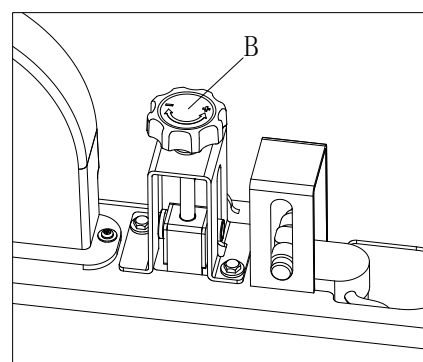


Figure 21

## REEMPLACEMENT DE LA BROSSE PRINCIPALE

**AVERTISSEMENT !**

Il est conseillé de porter des gants de protection lors du remplacement de la brosse principale car il peut y avoir des débris tranchants entre les poils.

1. Conduire la machine sur une surface plane et serrer le frein de stationnement.
2. Tourner la clé de contact sur « O ».
3. Dévissez les boutons (A, figure 22) et retirez le couvercle gauche (B, figure 22).
4. Dévissez le bouton (A, figure 23) et retirez le support du moyeu d'entraînement (D, figure 23).
5. Dévissez les boutons (B, figure 23) et retirez le couvercle du compartiment à brosse (C, figure 23).
6. Retirez la brosse principale (E, figure 24) avec le moyeu (J, figure 26).
7. Vérifiez que le moyeu d'entraînement (F, figure 24) est exempt de saleté ou de matières étrangères (cordes, cordons, etc.) enroulées accidentellement.
8. La nouvelle brosse principale doit être installée avec le motif des poils comme indiqué sur la figure (G, figure 24).
9. Installez la nouvelle brosse principale et assurez-vous que le filet hexagonal (H, figure 24) s'adapte correctement au moyeu d'entraînement (F, figure 24).
10. Installez le moyeu (J, figure 26) dans la brosse principale.
11. Installez le couvercle du compartiment à brosse (C, figure 25) en serrant les boutons (B, figure 25).
12. Installez le support du moyeu d'entraînement (D, figure 23) en serrant le bouton (A, figure 23).
13. Installez le couvercle gauche (B, figure 22) en serrant les boutons (A, figure 22).
14. Vérifiez et ajustez la hauteur de la brosse principale comme indiqué dans le paragraphe précédent.

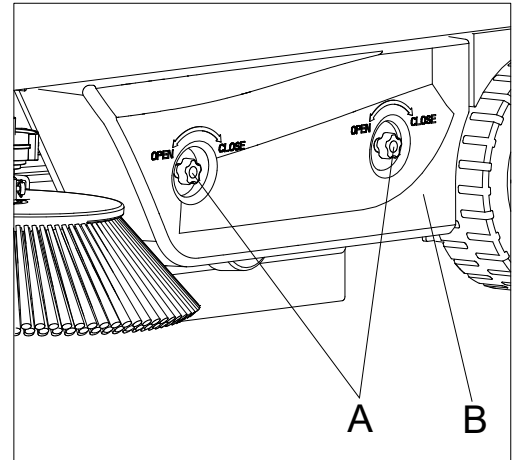


Figure 22

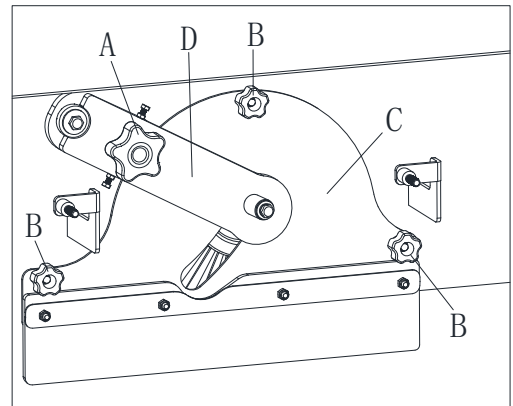


Figure 23

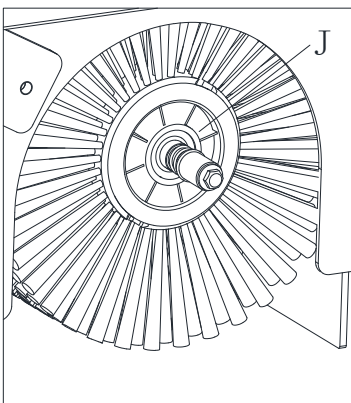


Figure 26

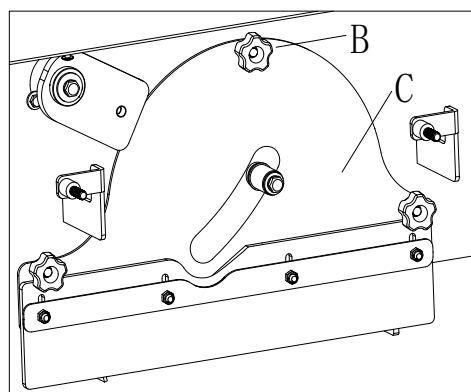


Figure 25

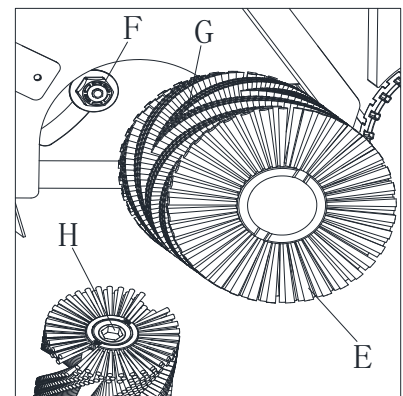


Figure 24

## CONTRÔLE ET RÉGLAGE DE LA HAUTEUR DE LA BROSSE LATÉRALE



### REMARQUE

Des brosses avec des poils plus durs ou plus souples sont disponibles.  
Cette procédure est applicable à tous les types de brosse.

1. Vérifiez la distance de la brosse latérale par rapport au sol en suivant les procédures suivantes :
  - Conduire la machine sur une surface plane.
  - Réglez le bouton de réglage de la vitesse (A, figure 27) afin de minimiser la vitesse de conduite.
  - Appuyez sur le bouton de la brosse latérale (B, figure 27) afin d'abaisser la brosse latérale et de l'activer pendant environ une minute en appuyant sur la pédale d'accélérateur.
  - Vérifiez que les empreintes de la brosse latérale sont comme indiqué sur la figure (A et B, figure 28).

Si l'empreinte n'est pas conforme aux spécifications, ajustez la hauteur de la brosse latérale en suivant les procédures suivantes.

2. Serrer le frein de stationnement.
3. Tourner la clé de contact sur « O ».
4. Dévissez les boutons (A, figure 22) et retirez le couvercle gauche (B, figure 22).
5. Réglez le dispositif de réglage de la brosse latérale (C, figure 29) jusqu'à ce que l'empreinte appropriée (A et B, figure 28) soit obtenue. Fixez ensuite le dispositif de réglage avec la bague fileté (D, figure 29).
6. Effectuez à nouveau l'étape 1 afin de vérifier le réglage correct de la hauteur de la brosse latérale.
7. Lorsque la brosse est trop usée pour être réglée, remplacez-la comme indiqué dans le chapitre Installation de la brosse latérale.

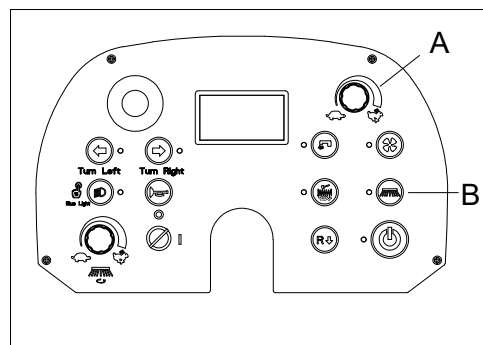


Figure 27

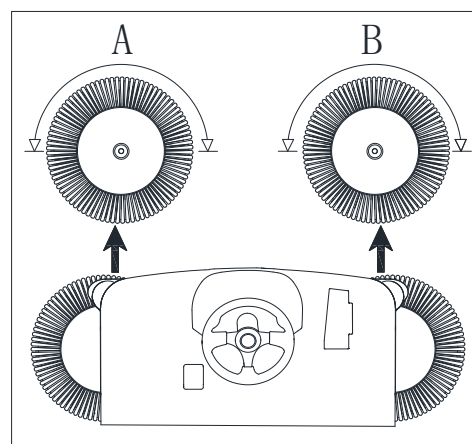


Figure 28

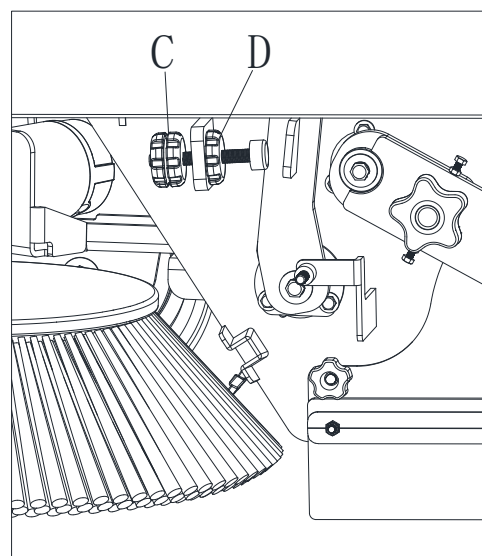


Figure 29



## NETTOYAGE DU FILTRE À POUSSIÈRE ET CONTRÔLE D'INTÉGRITÉ

**REMARQUE**

En plus du filtre en polyester standard, des filtres en papier sont également disponibles. La procédure suivante s'applique aux deux types.

1. Conduire la machine sur une surface plane, puis serrer le frein de stationnement.
  2. Tourner la clé de contact sur « O ».
  3. Ouvrez le couvercle (A, figure 30)
  4. Désengagez le loquet (F, figure 30) en tirant sur son extrémité inférieure.
  5. Retirez la trémie (E, figure 30) en la dégageant des guides internes à l'aide de la poignée (C, figure 30).
  6. Dévissez les boutons (D, figure 30) et retirez le couvercle du compartiment du filtre (B, figure 30).
  7. Dévisser les boutons (A, figure 30).
  8. Débranchez le connecteur du moteur du secoueur de filtre (C, figure 31) (B, figure 31).
  9. Retirez le cadre de fixation du filtre à poussière (D, figure 31).
  10. Enlevez le filtre à poussière (E, figure 31).
  11. Dans un espace extérieur, nettoyez le filtre en le secouant sur une surface plane et propre, en tapotant le côté (A, figure 32) opposé à la toile métallique (B, Figure 32). Terminez la procédure de nettoyage en utilisant de l'air comprimé (C, figure 32) à un maximum de 6 bars (85 psi), en soufflant uniquement du côté de la toile métallique (B, figure 32), à une distance minimale de 30 cm.
- Selon le type de filtre, respectez les précautions suivantes :
- Filtre en papier (en option) : N'utilisez pas d'eau ou de détergents pour le nettoyer, sinon il peut être endommagé.
  - Filtre en polyester (standard) : Pour un meilleur nettoyage, le filtre peut être lavé avec de l'eau et des détergents non moussants. Cela permet d'obtenir une meilleure qualité de nettoyage mais réduit la durée de vie du filtre et entraîne son remplacement plus fréquent. L'utilisation de détergents inappropriés peut endommager le filtre.
12. Vérifiez l'intégrité du corps du filtre. Remplacez le filtre si nécessaire.
  13. Nettoyez le joint en caoutchouc (A, figure 33) du couvercle et vérifiez son intégrité et son efficacité. Remplacez-le si nécessaire.
  14. Assemblez les composants dans l'ordre inverse du démontage, et notez ce qui suit :
    - Installez le filtre (E, figure 31) avec la toile métallique (B, figure 32) tournée vers le haut.

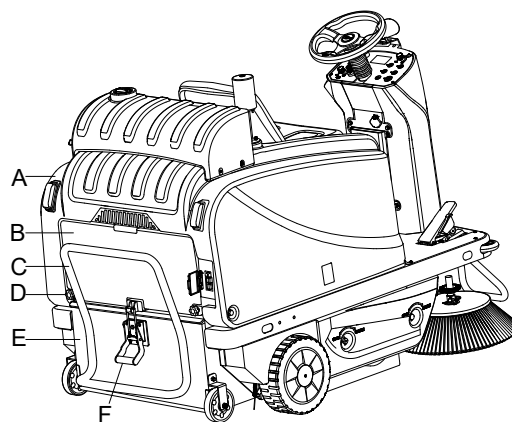


Figure 30

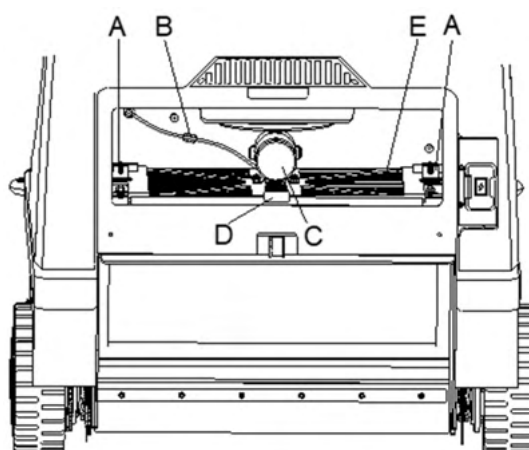


Figure 31

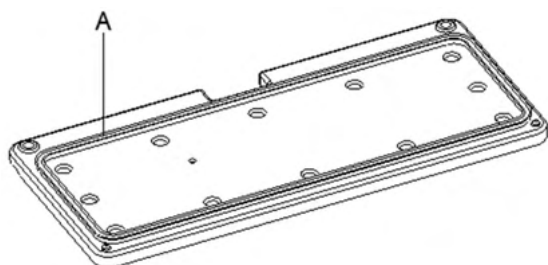


Figure 33

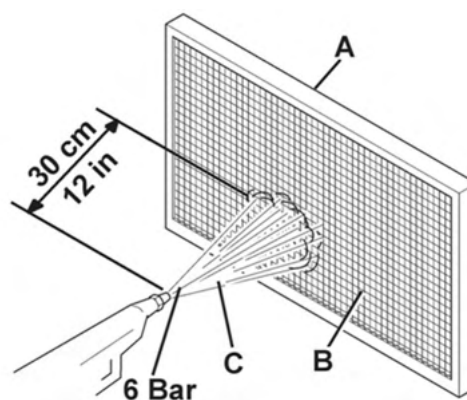


Figure 32

## VÉRIFICATION DE LA HAUTEUR ET DU FONCTIONNEMENT DE LA LAME

1. Conduire la machine sur une surface plane.
2. Serrer le frein de stationnement.
3. Tourner la clé de contact sur « O ».

## Vérification de la lame latérale

4. Dévissez les boutons (A et D, figure 34) et retirez les couvercles gauche (B, figure 34) et droit (E, figure 34).
5. Vérifiez l'intégrité des lames latérales (C et F, figure 34). Remplacez les lames lorsqu'elles présentent des entailles (A, figure 35) supérieures à 20 mm ou des fissures (B, figure 35) supérieures à 10 mm (consultez le manuel d'entretien pour le remplacement des lames).
6. Vérifiez que la distance entre le sol et les lames latérales (C et F, figure 34) est comprise entre 0 et 3 mm (A, figure 35). Si nécessaire, réglez la hauteur de la lame en réglant les fentes avec les vis (A, figure 37).
7. Assemblez les composants dans l'ordre inverse du démontage.

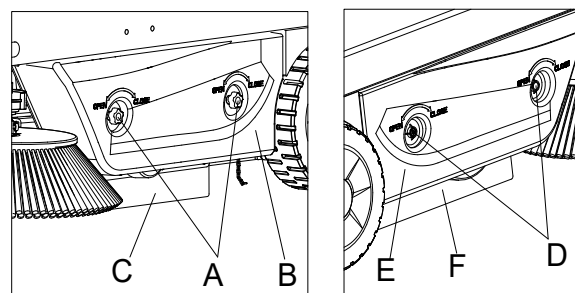


Figure 34

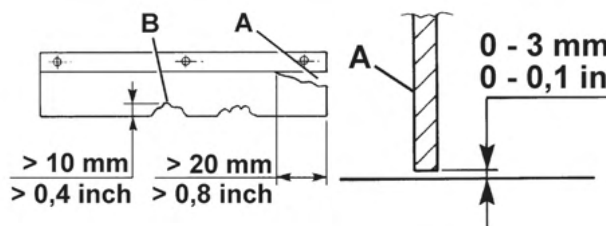


Figure 35

## Vérification de la lame avant et arrière

8. Retirez la brosse principale comme indiqué dans le paragraphe correspondant.
9. Vérifiez l'intégrité des lames avant (A, figure 39) et arrière (B, figure 38). Remplacez les lames lorsqu'elles présentent des entailles (A, figure 35) supérieures à 20 mm ou des fissures (B, figure 35) supérieures à 10 mm (consultez le manuel d'entretien pour le remplacement des lames).
10. Vérifiez que :
  - La lame avant (A, figure 36) touche légèrement le sol.
  - La distance entre le sol et la lame arrière (B, figure 38) est comprise entre 0 et 3 mm (A, figure 35).
11. Si nécessaire, ajustez la hauteur de la lame en réglant les fentes avec les vis (C et D, figures 39 et 38).
12. Appuyez sur la pédale du volet et vérifiez que la lame avant (A, figure 36) est soulevée ; puis relâchez la pédale et vérifiez que la lame ne reste pas dans une position intermédiaire mais retourne dans sa position initiale. Si nécessaire, pour le réglage ou le remplacement du câble de commande de la lame avant, consultez le manuel d'entretien.
13. Assemblez les composants dans l'ordre inverse du démontage.

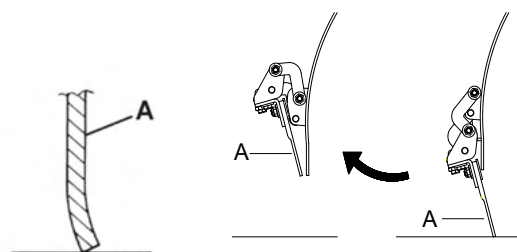


Figure 36

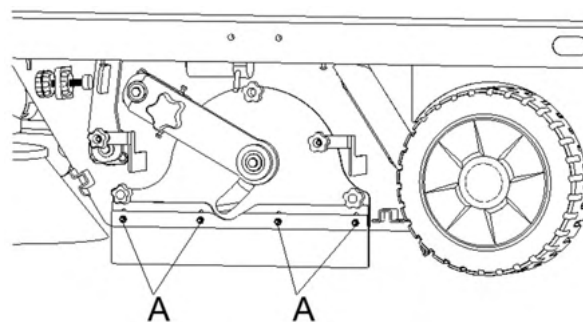


Figure 37

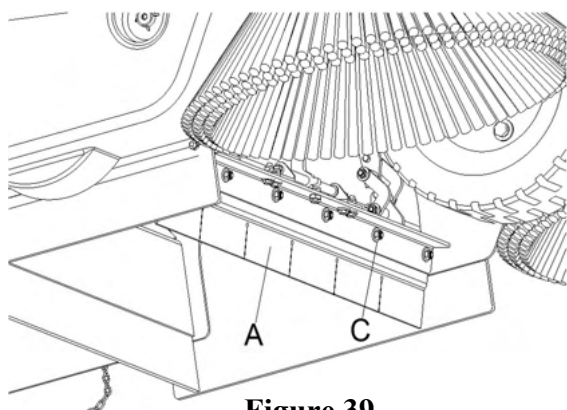


Figure 39

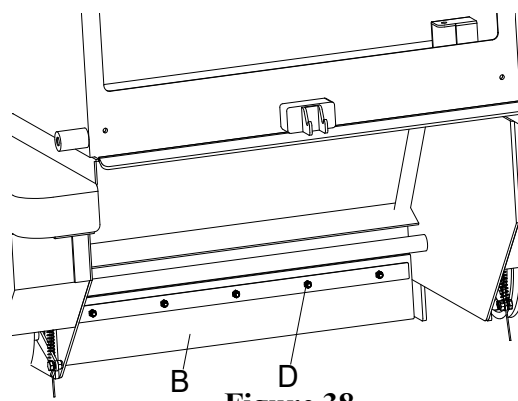


Figure 38

## CONTRÔLE ET RÉGLAGE DE LA CHAÎNE DE LA ROUE

1. Conduire la machine sur une surface plane.
2. Serrer le frein de stationnement.
3. Tourner la clé de contact sur « O ».
4. Lorsque la roue avant est desserrée, ajustez la vis de réglage de la chaîne de la roue (A, figure 40) à l'avant de la machine afin de vous assurer que la chaîne de la roue est correctement serrée.
5. Lorsque la roue arrière est desserrée, ouvrez le couvercle (C, figure 41) et le couvercle de la chaîne de la roue (A, figure 41), ajustez la vis de réglage de la chaîne de la roue (B, figure 41) afin de vous assurer que la chaîne de la roue est correctement serrée.

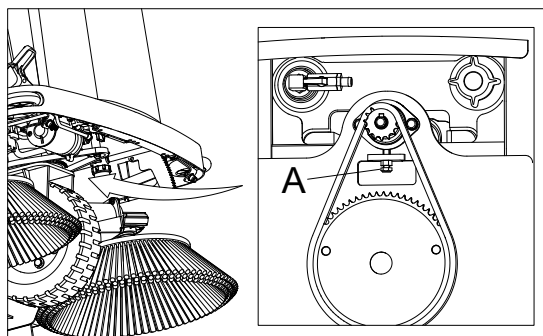


Figure 40

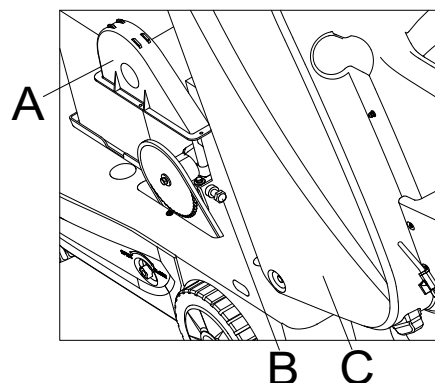


Figure 41

## DÉPANNAGE

Problème	Cause possible	Solution
La machine ne démarre pas lorsque l'on tourne la clé de contact sur « I ».	Le connecteur de la batterie est déconnecté.	Connecter le connecteur de la batterie.
	Le disjoncteur F6 est ouvert.	Réinitialisez-le en appuyant sur l'interrupteur approprié.
	Le câble du chargeur externe est branché à la machine.	Débranchez le câble du chargeur externe de la machine.
La machine ne bouge pas en appuyant sur la pédale d'accélérateur.	Le frein de stationnement est serré.	Desserrer le frein de stationnement.
	Lors du démarrage de la machine avec la clé de contact, la pédale d'accélérateur est enfoncée ou l'opérateur n'est pas encore sur le siège du conducteur.	Démarrez la machine avec la clé de contact, uniquement en étant sur le siège du conducteur et sans appuyer sur la pédale d'accélérateur.
	L'interrupteur du siège n'est pas activé car vous n'êtes pas assis dans la bonne position.	Asseyez-vous dans la bonne position sur le siège.
	Le fusible F5 est grillé.	Remplacez le fusible.
La brosse principale ne fonctionne pas.	Le disjoncteur F7 est ouvert.	Réinitialisez-le en appuyant sur l'interrupteur approprié.
	Le bouton de démarrage à un bouton n'est pas actionné.	Appuyez sur le bouton marche à un bouton.
Les brosses latérales ne fonctionnent pas.	Le fusible F5 est grillé.	Remplacez le fusible.
	Le bouton de la brosse latérale ou le bouton de démarrage à un bouton n'est pas actionné.	Appuyez sur le bouton de la brosse latérale ou sur le bouton de démarrage à un bouton.
	Le disjoncteur F8/F9 est ouvert.	Réinitialisez-le en appuyant sur l'interrupteur approprié.
La machine recueille peu de débris/poussières.	Le fusible F5 est grillé.	Remplacez le fusible.
	Le système d'aspiration est désactivé.	Activez le système d'aspiration.
	Le disjoncteur F11 est ouvert.	Réinitialisez-le en appuyant sur l'interrupteur approprié.
	Le filtre à poussière est bouché.	Nettoyez le filtre à poussière avec le secoueur de filtre ou retirez-le pour le nettoyage.
	La trémie est pleine.	Videz la trémie.
	Les lames ne sont pas correctement réglées ou elles sont usées.	Réglez/remplacez les lames.
Le secoueur de filtre ne fonctionne pas.	Les brosses ne sont pas correctement ajustées.	Ajustez la hauteur de la brosse.
	Le disjoncteur F10 est ouvert.	Réinitialisez-le en appuyant sur l'interrupteur approprié.
	Le fusible F5 est grillé.	Remplacez le fusible.
La machine quitte le mode de démarrage à un bouton et ne prend en charge que le mode de déplacement.	Les batteries sont déchargées.	Charger les batteries. Si le problème persiste, remplacez les batteries.
La durée de fonctionnement de la batterie est faible.	Les batteries sont usées.	Remplacez les batteries.
	La capacité de la batterie est faible.	Remplacez les batteries avec une plus grande capacité (reportez-vous au chapitre Données techniques).

Pour plus d'informations, reportez-vous au Manuel d'entretien, disponible dans n'importe quel Centre d'entretien Nilfisk.

**CODE D'ERREUR DE L'ÉCRAN app: detail**

Error 01	Battery VOL low	Tension de la batterie faible
Error 02	Tra overload	Surcharge du moteur de traction
Error 03	Main brush overload	Surcharge du moteur de la brosse principale
Error 04	Side brush overload	Surcharge du moteur de la brosse latérale
Error 05	Filter clean M overload	Surcharge du moteur du secoueur du filtre
Error 06	Pump overload	Surcharge de la pompe
Error 07	Charger COMM Error	Erreur de communication du chargeur
Error 08	Charger connect Error	Erreur de connexion du chargeur à la commande
Error 09	Charger Temp high	Température du chargeur élevée
Error 10	Charging low VOL	Tension de charge de la batterie basse
Error 11	Battery reversed	Les bornes positive et négative des batteries sont inversées.
Error 12	Charging high VOL	Tension de charge de la batterie élevée
Error 13	CC charging timeout	Délai de charge dépassé à la phase de charge CC
Error 14	AC power low	La tension d'alimentation CA du chargeur est faible en mode de charge embarqué
Error 15	ENE Bat. Ch. Match Error	Erreur de correspondance de charge de batterie ENE
Error 16	Pedal switch SRO	La pédale d'accélérateur est enfoncée lorsque l'interrupteur à clé est activé
Error 17	Electric Brake Failure	Défaillance du frein électrique
Error 18	Spray Water Depleted	L'eau de pulvérisation est épuisée
Error 19	Side brush open circuit	Le circuit de la brosse latérale est ouvert
Error 20	Main brush open circuit	Le circuit de la brosse principale est ouvert
Error 21	Pump open circuit	Le circuit de la pompe (dispositif de pulvérisation d'eau) est ouvert
Error 22	Filter C motor open circuit	Le circuit du moteur du filtre propre est ouvert
Error 23	Tract motor over-temperature	Le moteur de traction est surchauffé
Error 24	Tract Motor THERMO-SENSOR open	Le circuit du moteur de traction THERMO-SENSOR est ouvert

**MISE AU REBUT**

Mettez la machine au rebut dans un centre de traitement de déchets agréé.

Avant de mettre la machine au rebut, retirez et séparez les matériaux suivants, qui doivent être éliminés correctement conformément à la loi en vigueur.

- Batteries
- Filtre à poussière en polyester
- Brosses principales et latérales
- Composants en plastique
- Composants électriques et électroniques (\*)

(\*) Veuillez contacter notre centre d'entretien lors de la mise au rebut de tout composant électrique et électronique.

**Composition matérielle de la machine et possibilité de recyclage**

Type	% recyclable	% de poids
Aluminium	100%	1%
Moteurs électriques-divers	29%	20%
Matériaux en fer	100%	55%
Faisceau de câbles	80%	1%
Liquides	100%	0%
Plastique - matière non recyclable	0%	1%
Plastique - matière recyclable	100%	20%
Caoutchouc	20%	2%

## ÍNDICE

<b>INTRODUCCIÓN.....</b>	<b>58</b>
PROPÓSITO Y CONTENIDOS DE ESTA GUÍA.....	58
CÓMO GUARDAR EL MANUAL DE INSTRUCCIONES DE USO .....	58
ACCESORIOS Y MANTENIMIENTO.....	58
CAMBIOS Y MEJORAS.....	58
ÁMBITO DE APLICACIÓN.....	58
DATOS DE IDENTIFICACIÓN DE LA MÁQUINA.....	58
TRANSPORTE Y DESEMBALAJE .....	59
<b>SEGURIDAD .....</b>	<b>59</b>
SÍMBOLOS VISIBLES EN LA MÁQUINA.....	59
SÍMBOLOS QUE APARECEN EN EL MANUAL DE INSTRUCCIONES DE USO.....	59
INSTRUCCIONES GENERALES DE SEGURIDAD .....	60
<b>DESCRIPCIÓN DE LA MÁQUINA .....</b>	<b>62</b>
ESTRUCTURA DE LA MÁQUINA .....	62
PANEL DE MANDO.....	64
DESCRIPCIÓN MODO DE TRABAJO.....	65
ACCESORIOS.....	66
DATOS TÉCNICOS.....	67
ESQUEMA ELÉCTRICO.....	68
<b>GUÍA DE FUNCIONAMIENTO.....</b>	<b>69</b>
CONTROL/CONFIGURACIÓN DE LA BATERÍA EN UNA MÁQUINA NUEVA.....	69
INSTALACIÓN DE LA BATERÍA Y CONFIGURACIÓN DEL TIPO DE BATERÍA (WET/GEL/AGM/DIS/EXI/FUL/OPT/ENE(TPPL)) .....	70
ANTES DE LA PUESTA EN MARCHA DE LA MÁQUINA .....	71
ARRANCAR Y PARAR LA MÁQUINA .....	72
FRENO DE ESTACIONAMIENTO.....	73
FUNCIONAMIENTO DE LA MÁQUINA .....	73
VUELCO CAJÓN DE RESIDUOS .....	74
INSTALACIÓN CEPILLO LATERAL.....	74
CONFIGURACIÓN CAUDAL PULVERIZACIÓN DEL AGUA.....	75
DESPUÉS DEL USO DE LA MÁQUINA .....	75
DESPLAZAMIENTO DE LA MÁQUINA MEDIANTE EMPUJE/REMOLQUE.....	75
ALMACENAMIENTO DE LA MÁQUINA DURANTE LARGOS PERIODOS DE INACTIVIDAD.....	76
PRIMER PERÍODO DE USO.....	76
<b>MANTENIMIENTO .....</b>	<b>76</b>
TABLA DE MANTENIMIENTO PROGRAMADO .....	76
CARGA DE LA BATERÍA .....	77
CONTROL Y AJUSTE DE LA ALTURA DEL CEPILLO PRINCIPAL .....	78
SUSTITUCIÓN CEPILLO PRINCIPAL .....	79
CONTROL Y AJUSTE DE LA ALTURA DEL CEPILLO LATERAL .....	80
LIMPIEZA DEL FILTRO DE POLVOS Y CONTROL INTEGRIDAD .....	81
CONTROL ALTURA Y FUNCIONAMIENTO DEL CAUCHO .....	82
CONTROL Y AJUSTE DE LA CADENA DE LA RUEDA.....	83
<b>RESOLUCIÓN DE PROBLEMAS .....</b>	<b>83</b>
<b>CÓDIGO DE ERROR DE LA PANTALLA <u>app: detail</u> .....</b>	<b>84</b>
<b>DESGUACE.....</b>	<b>84</b>

## INTRODUCCIÓN



### NOTA

Los números entre paréntesis hacen referencia a los componentes que se muestran en la sección Descripción de la Máquina.

## PROPÓSITO Y CONTENIDOS DE ESTA GUÍA

El propósito del presente Manual de Instrucciones de uso es proporcionar al operador toda la información básica, los datos técnicos, el funcionamiento, el almacenamiento, las piezas, de repuesto, las condiciones de seguridad etc.

Antes de efectuar cualquier operación en la máquina, los operadores y los técnicos calificados tienen que leer cuidadosamente el Manual de Instrucciones de Uso. En caso de dudas sobre la correcta interpretación de las instrucciones, contacte con nuestra empresa para obtener más información.

## CÓMO GUARDAR EL MANUAL DE INSTRUCCIONES DE USO

El manual de instrucciones de uso debe conservarse junto a la máquina, dentro de su contenedor, lejos de líquidos y otras sustancias que podrían dañarlo.

## ACCESORIOS Y MANTENIMIENTO

Todos los procedimientos de operación, mantenimiento y reparación necesarios deben ser realizados por personal calificado o por los centros de servicio designados de nuestra empresa. SOLO se permite el uso de accesorios y piezas de repuesto originales.

Póngase en contacto con el servicio de atención al cliente de nuestra empresa por cualquier servicio o compra de accesorios o piezas de repuesto según necesario.

## CAMBIOS Y MEJORAS

Estamos comprometidos con la mejora continua de nuestros productos, y la empresa se reserva el derecho de aportar cambios y mejoras al producto sin aviso previo.

## ÁMBITO DE APLICACIÓN

La máquina está destinada al uso comercial e industrial. Es apropiada para la limpieza de suelos lisos y sólidos, cuando es utilizada por personal calificado en las circunstancias de seguridad.

## DATOS DE IDENTIFICACIÓN DE LA MÁQUINA

El número de serie y el modelo de la máquina aparecen marcados en la etiqueta de serie.

Esta información es útil. Utilice la siguiente tabla para anotar los datos de identificación de la máquina a la hora de comprar piezas de repuesto para la máquina.

MODELO DE LA MÁQUINA.....
NÚMERO DE SERIE DE LA MÁQUINA .....

## TRANSPORTE Y DESEMBALAJE

Cuando el transportista entrega la máquina, asegúrese de que el embalaje y la máquina se encuentran enteros y sin daños. Si se observaran desperfectos, avise al transportista sobre el daño, antes de aceptar las mercancías, para reservarse el derecho de indemnización.

Al desembalar la máquina siga estrictamente las instrucciones en el embalaje.

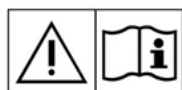
Compruebe el paquete y asegúrese de que los siguientes artículos están incluidos:

1. Documentación técnica - Instrucciones de uso
2. Componentes de conexión de la batería
3. Manual del cargador de a bordo (si está instalado) (\*)

## SEGURIDAD

Los siguientes símbolos indican situaciones potencialmente peligrosas. Siempre lea atentamente esta información y tome todas las precauciones necesarias para salvaguardar a las personas y las propiedades.

### SÍMBOLOS VISIBLES EN LA MÁQUINA



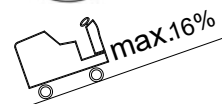
**¡ADVERTENCIA!**

Lea detenidamente todas las instrucciones antes de realizar cualquier operación en la máquina.



**¡ADVERTENCIA!**

No lave la máquina con chorros directos o agua a presión.



**¡ADVERTENCIA!**

No utilice la máquina en pendientes con un grado de inclinación superior al que se define en las especificaciones.

### SÍMBOLOS QUE APARECEN EN EL MANUAL DE INSTRUCCIONES DE USO



**¡PELIGRO!**

Indica una situación peligrosa con riesgo de muerte para el operador.



**¡ADVERTENCIA!**

Indica un riesgo potencial de lesiones a las personas.



**¡ATENCIÓN!**

Indica una advertencia o una nota relacionada con funciones importantes o útiles. Preste atención a los párrafos marcados con este símbolo.



**NOTA**

Indica una observación relacionada con funciones importantes o útiles.



**CONSULTA**

Indica la necesidad de consultar el manual de instrucciones de uso antes de realizar cualquier procedimiento.

## INSTRUCCIONES GENERALES DE SEGURIDAD

Advertencias y precauciones específicas para informar acerca de los posibles daños a las personas y a la máquina se muestran a continuación.



### ¡PELIGRO!

- Esta máquina debe ser operada por personal capacitado y autorizado de acuerdo con las instrucciones del manual.
- Antes de realizar cualquier operación de limpieza, mantenimiento, reparación o sustitución, lea todas las instrucciones con cuidado, asegúrese que la máquina está apagada y desconecte el conector de la batería.
- No utilice la máquina cerca de polvos, líquidos o vapores tóxicos, peligrosos, inflamables y/o explosivos. Esta máquina no es adecuada para la recogida de polvos peligrosos.
- Quítese las joyas cuando trabaje cerca de los componentes eléctricos.
- No trabajar bajo la máquina levantada si ésta no está fijada con los soportes de seguridad adecuados.
- Cuando se usan baterías de plomo (WET) pueden emitir gases inflamables en condiciones de uso normales por lo que hay que mantener las chispas, las llamas, los materiales humeantes y los objetos radiantes, luminosos y en llamas lejos de las baterías.
- Durante la carga, las baterías de plomo (WET) pueden emitir gas hidrógeno que es explosivo. Asegúrese de que el entorno de la carga está bien ventilado y lejos de llamas descubiertas.



### ¡ADVERTENCIA!

- Esta máquina es para USO COMERCIAL, por ejemplo en hoteles, colegios, hospitales, fábricas, tiendas y empresas de alquiler.
- Las máquinas desatendidas deberán estar protegidas ante cualquier movimiento involuntario.
- Para evitar usos no autorizados de la máquina, la fuente de energía debe apagarse o bloquearse, por ejemplo quitando la llave del interruptor principal o la llave de encendido.
- Inspeccione cuidadosamente la máquina antes de cada uso. Asegúrese de que todos los componentes están bien montados. Los componentes sueltos podrían producir daños a las personas y a las propiedades.
- Nunca mueva la máquina tirando del cable del cargador de la batería. No pase el cable a través de puertas cerradas, ni lo enrolle alrededor de bordes o esquinas afiladas. No conduzca la máquina sobre el cable del cargador de la batería. Mantenga el cable del cargador de la batería lejos de superficies calientes.
- No cargue las baterías si el cable o el enchufe del cargador de la batería están dañados.
- Para reducir el riesgo de incendio, descargas eléctricas o lesiones, no dejes la máquina desatendida cuando se está cargando. Antes de realizar cualquier operación de mantenimiento, desconecte el cable del cargador de baterías de la red eléctrica.
- La temperatura tanto de almacenamiento como de funcionamiento de la máquina debe ser entre 0 °C y +40 °C, la humedad del aire debe oscilar entre 30% y 95%.
- No utilice la máquina en pendientes con un grado de inclinación superior al que se define en la especificación.
- Use los cepillos en dotación con la máquina o definidos en el manual. El uso de otros cepillos podría reducir la seguridad.
- Cuando la máquina no funciona correctamente, asegúrese de que esto no sea causado por falta de mantenimiento. Si es necesario, solicite la asistencia del personal autorizado o se un Centro de asistencia autorizado.
- Tomar todas las precauciones necesarias para que el pelo, las joyas y las ropas no sean capturados por las partes móviles de la máquina.
- No lave la máquina con chorros directos o presurizados de agua, o con sustancias corrosivas.
- No chocar contra estanterías o andamios de los que puedan caer objetos.
- No poner recipientes de líquidos sobre la máquina, usar el portabebidas.
- Para evitar daños en el suelo, no permita que el cepillo funcione mientras la máquina está parada.
- En caso de incendio, use un extintor de polvo seco. No utilice extintores líquidos.
- No retire ni modifique las pegatinas de la máquina.
- No manipule las protecciones de seguridad de la máquina y siga escrupulosamente las instrucciones para el mantenimiento programado.
- Tener cuidado durante el traslado de la máquina en condiciones de temperatura muy baja. El agua en el depósito de la solución detergente o en los tubos podría congelarse y dañar la máquina.



- Si deben sustituirse piezas, solicite piezas de repuesto **ORIGINALES** a un Concesionario y/o Revendedor autorizado.
- Lleve la máquina al Centro de asistencia si no funciona como de costumbre o está dañada.
- Para garantizar el funcionamiento correcto y seguro de la máquina, el mantenimiento programado que se muestra en el capítulo correspondiente de este manual, debe realizarlo el personal autorizado o los distribuidores o revendedores autorizados.
- La máquina debe desecharse de forma adecuada, debido a la presencia de materiales tóxicos dañinos (baterías, etc.), que están sujetos a las normas que requieren la eliminación en centros especiales (véase capítulo Desguace).
- Esta máquina es una herramienta de limpieza y no ha sido diseñada para ningún otro fin.
- Las aperturas deben mantenerse libre de polvo, hilacha, pelos y cualquier otro cuerpo extraño que pueda reducir el flujo de aire. No utilice la máquina si los orificios están obstruidos.
- Usar la máquina sólo en áreas con suficiente iluminación.
- La luz delantera debe usarse solo para mejorar la visibilidad en el suelo a limpiar, pero no autoriza a nadie a usar la máquina en lugares oscuros.
- Esta máquina no debe ser utilizada por personas (incluidos niños) con capacidades físicas, sensoriales o mentales reducidas, o con falta de experiencia y conocimientos.
- Tener mucho cuidado cuando se utiliza cerca de niños.
- Los niños deben ser supervisados para asegurarse de que no jueguen con el aparato.
- Cuando se usa esta máquina, tener cuidado de salvaguardar la incolumidad de personas y cosas.
- Los operadores deberán haber recibido instrucciones adecuadas para usar este tipo de máquina.
- No use la máquina sin una estructura de protección contra caída de objetos (FOPS) en áreas donde es probable que el operador resulte golpeado por la caída de objetos.
- Siempre proteja la máquina contra la lluvia y el mal tiempo, tanto en condiciones de funcionamiento como de inactividad. Guarde la máquina en interiores, en un ambiente seco: esta máquina debe usarse en condiciones secas y no debe usarse ni mantenerse al aire libre en condiciones húmedas.
- Ajuste la velocidad de funcionamiento para adaptarse a las condiciones del suelo.
- Evite las paradas repentinas y conduzca a baja velocidad cuando la máquina va cuesta abajo. Evite giros bruscos.
- Esta máquina no puede ser utilizada en calles o vías públicas.

## DESCRIPCIÓN DE LA MÁQUINA

## ESTRUCTURA DE LA MÁQUINA

1. Tapa del depósito
2. Depósito de la solución detergente (\*)
3. Indicador de giro
4. Estribo de salida de aire
5. Tapa del compartimiento del filtro
6. Perilla moleteada
7. Cajón de residuos
8. Gancho
9. Rueda trasera del cajón de residuos
10. Volante
11. Depósito de la solución detergente
12. Puerto de carga USB
13. Bolsa teléfono
14. Pedal de aceleración
15. Anclaje elevador de la máquina
16. Bastidor
17. Tapa derecha
18. Caucho lateral
19. Rueda motriz (con freno mecánico)
20. Enchufe cargador de a bordo (\*)
21. Conector cargador externo
22. Luz de advertencia
23. Asiento ajustable (con interruptor de seguridad)
24. Luz azul (\*)
25. Etiqueta Logo
26. Faro delantero
27. Boquilla de pulverización
28. Cepillo lateral
29. Parachoques derecho
30. Válvula solución detergente
31. Tapa
32. Portavasos
33. Tapa izquierda
34. Pedal de aleta
35. Freno de estacionamiento
36. Parachoques izquierdo
37. Labio delantero
38. Rueda delantera

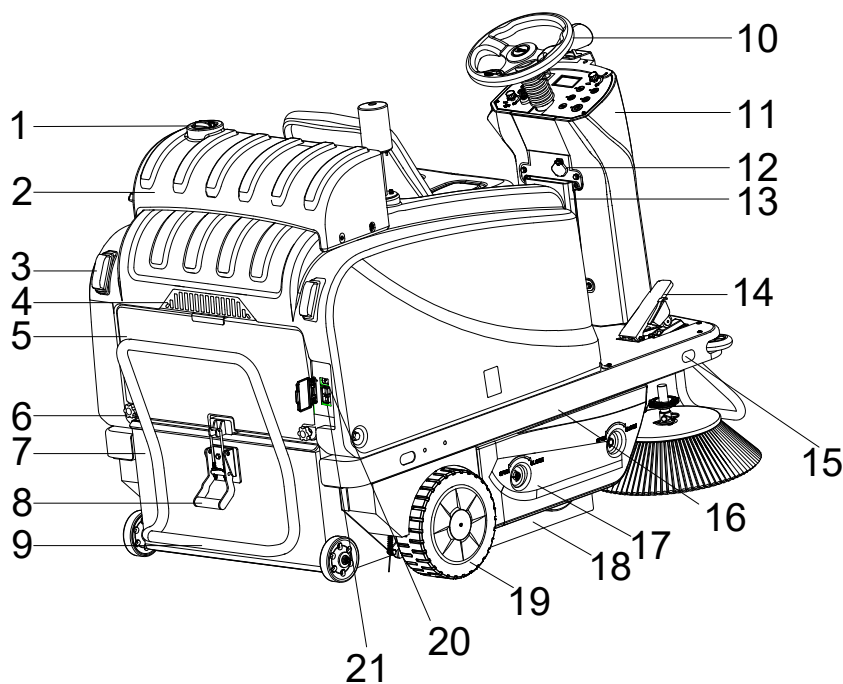


Figura 1

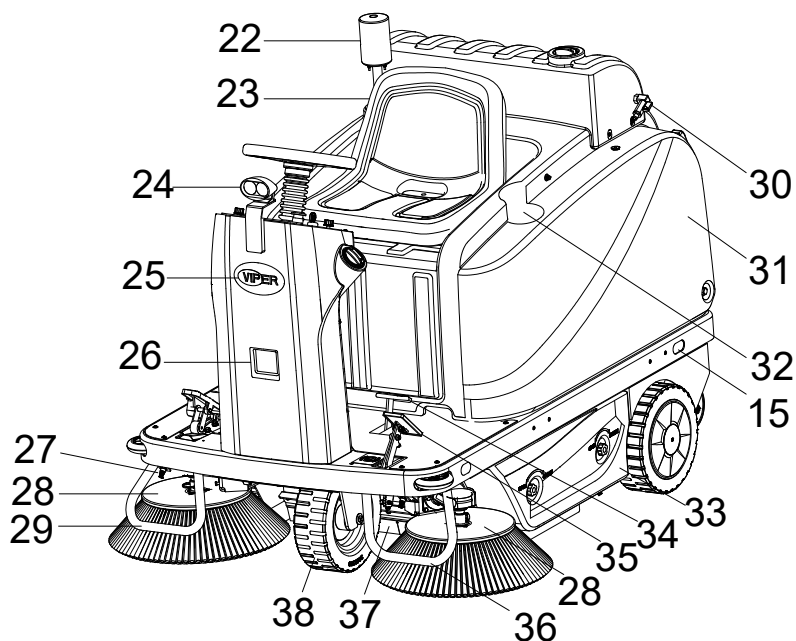


Figura 2

- 39. Cargador de a bordo (\*)
- 40. Regulador cepillo principal
- 41. Cable de soporte del capó
- 42. Caja fusible reseteable
- 43. Conector de la batería
- 44. Batería (\*)
- 45. Bandeja de la batería
- 46. Cepillo principal

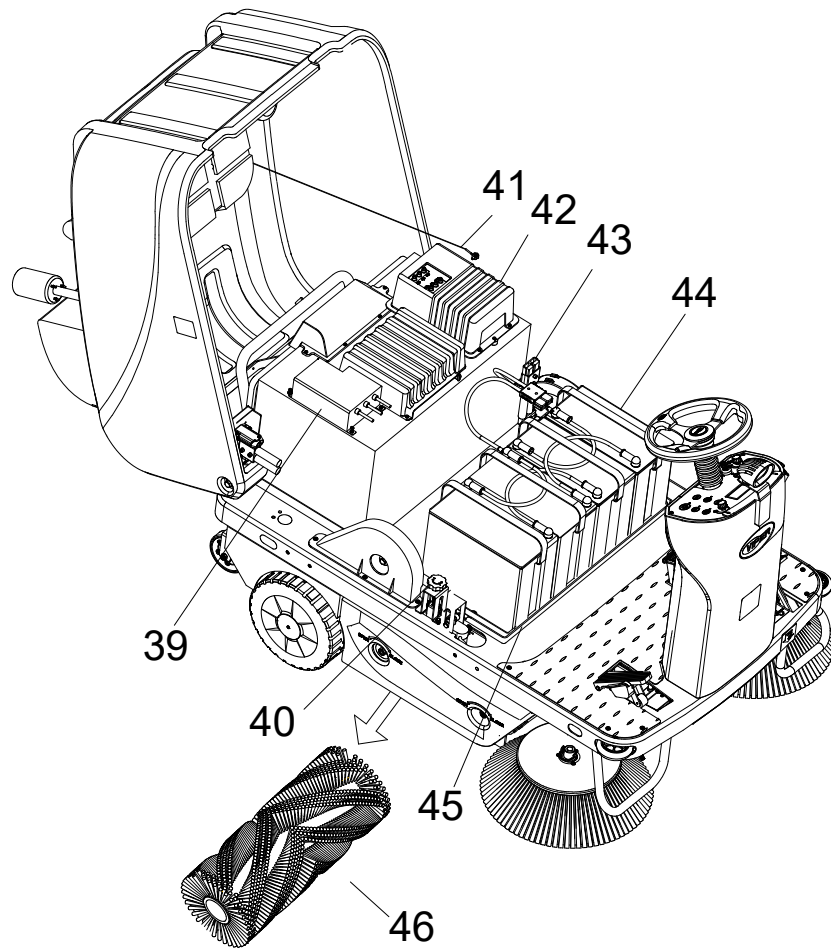


Figura 3

PANEL DE MANDO

- 47. Pantalla multifunción  
Visualizaciones:
  - A) Modalidad de funcionamiento separado bomba/motor de aspiración/cepillo lateral
  - B) Modalidad botón de arranque
  - C) Modalidad parada de seguridad (interruptor de seguridad del asiento apagado)
  - D) Modalidad marcha atrás
  - E) Modalidad estacionamiento/frenado
  - F) Modalidad cargador de batería
  - G) Bomba en funcionamiento
  - H) Motor de aspiración en funcionamiento
  - I) Cepillo lateral en funcionamiento
  - J) Tipo de baterías
  - K) Nivel de la batería
  - L) Tiempo de ejecución (contador de horas)
  - M) Bomba fuera de servicio
  - N) Motor de aspiración en funcionamiento
  - O) Cepillo principal en funcionamiento
  - P) Cepillo lateral en funcionamiento
  - Q) Sacudidor del filtro fuera de servicio
- 48. Perilla de ajuste de velocidad
- 49. Botón de aspiración
  - Activar/apagar el motor de aspiración
- 50. Botón de la bomba
  - Activar/apagar la bomba
- 51. Botón cepillo lateral
  - Activar/apagar el cepillo lateral
- 52. Botón sacudidor del filtro
  - Activar/apagar el sacudidor del filtro
  - Pulse durante 1 segundo para cambiar al modo de limpieza automática (el LED del sacudidor del filtro parpadea) y luego pulse durante 1 segundo nuevamente para salir.
- 53. Botón de arranque
  - Activar/apagar todo el motor de aspiración, el cepillo principal y los cepillos laterales
- 54. Botón de avance y retroceso
- 55. Bocina
- 56. Llave de encendido (I=Encendido O=Apagado)
- 57. Perilla del regulador de la velocidad de rotación de los cepillos laterales.
- 58. Botón faro delantero
  - Activar/apagar el faro delantero
  - Pulse durante 1 segundo para activar/apagar la luz azul (si presente)
- 59. Botón indicador de giro a la izquierda
- 60. Botón indicador de giro a la derecha
- 61. Botón parada de emergencia
- 62. F8 fusible reseteable del motor (10A) cepillo lateral (L)
- 63. F9 fusible reseteable del motor (10A) cepillo lateral (R)
- 64. F7 fusible reseteable del motor del cepillo principal (30 A)
- 65. F11 fusible reseteable del motor de aspiración (10A)
- 66. F6 fusible reseteable del controlador principal (5A)
- 67. F10 fusible reseteable del motor del sacudidor del filtro (10A)
- 68. Fusible de alimentación del controlador F5 (150A/70VDC)

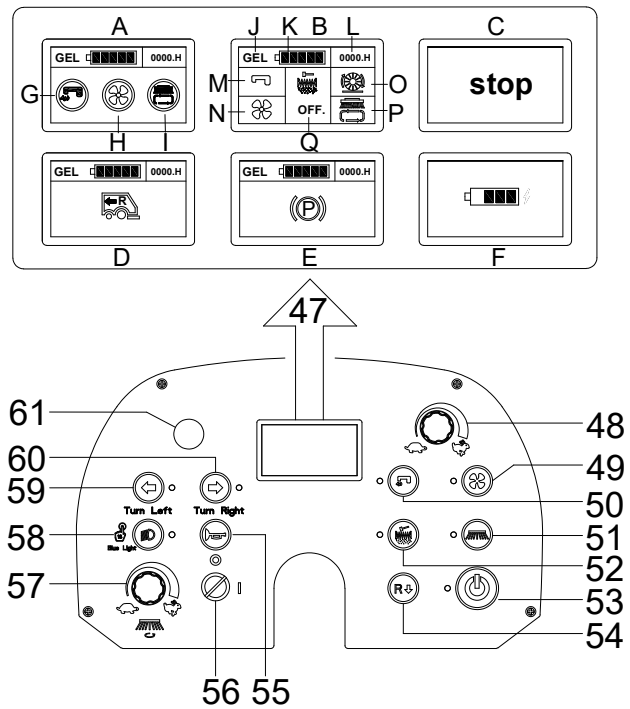


Figura 4

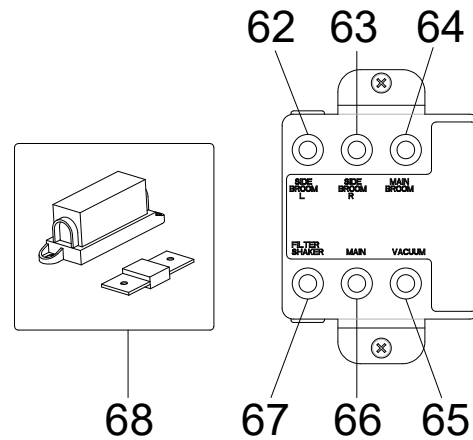
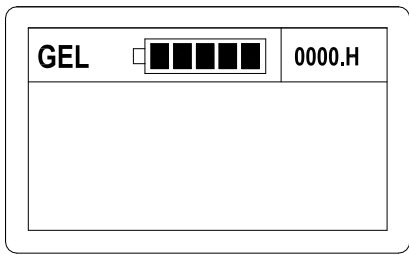
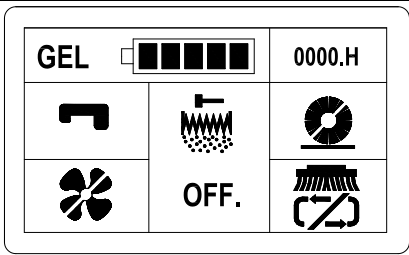
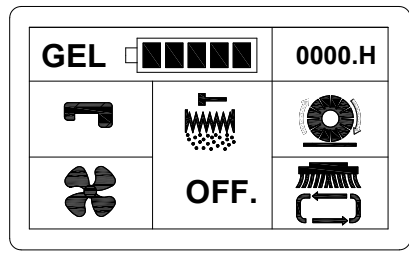
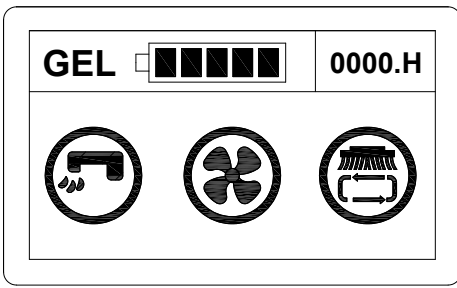
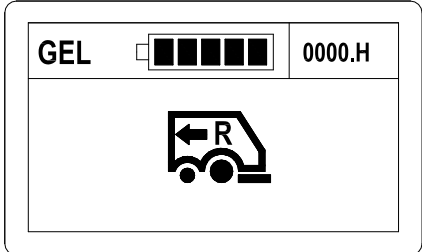


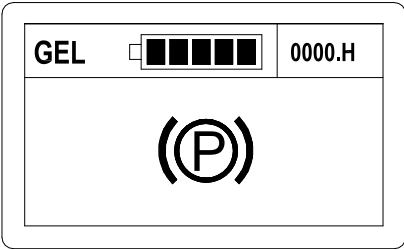

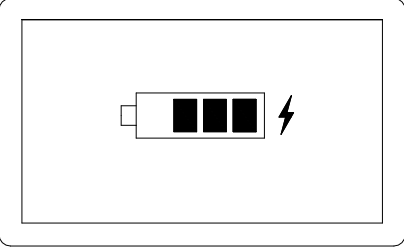
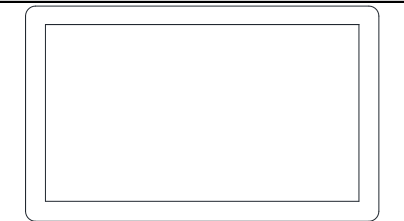
Figura 5



**NOTA**  
(Para el mantenimiento fusible reseteable véase el capítulo Búsqueda averías)

## DESCRIPCIÓN MODO DE TRABAJO

CÓMO FUNCIONA	DESCRIPCIÓN DE	LA PANTALLA
<b>Modalidad espera</b>		
<ul style="list-style-type: none"> <li>- Llave (56) encendida</li> <li>- Interruptor de seguridad del asiento (23) encendido</li> <li>- Botón de arranque (53) apagado</li> </ul>		<ol style="list-style-type: none"> <li>1. El punto en el medidor de horas no parpadea.</li> <li>2. El LCD solo muestra el tipo de batería, el nivel de la batería y el tiempo de ejecución.</li> <li>3. Todas las funciones de la bomba, del motor de aspiración, del sacudidor del filtro, de los cepillos principales y de los laterales están apagadas. (El motor de aspiración se apagará en varios segundos si está encendido).</li> </ol>
<b>Modalidad botón de arranque</b>		
<ul style="list-style-type: none"> <li>- Llave (56) encendida</li> <li>- Interruptor de seguridad del asiento (23) encendido</li> <li>- Botón de arranque (53) encendido</li> </ul>		<ol style="list-style-type: none"> <li>1. El punto en el medidor de horas no parpadea.</li> <li>2. El icono de gota de agua del grifo no se muestra.</li> <li>3. El icono del ventilador no gira.</li> <li>4. El icono del sacudidor del filtro muestra "OFF" (apagado).</li> <li>5. El icono de flecha del cepillo lateral y del cepillo principal no gira.</li> </ol>
<ul style="list-style-type: none"> <li>- Llave (56) encendida</li> <li>- Botón de arranque (53) encendido</li> <li>- Interruptor de seguridad del asiento (23) encendido</li> <li>- Pedal del acelerador (32) presionado</li> </ul>		<ol style="list-style-type: none"> <li>1. El punto en el medidor de horas parpadea.</li> <li>2. El icono de gota de agua del grifo no se muestra.</li> <li>3. El icono del ventilador gira.</li> <li>4. El icono del sacudidor del filtro muestra "OFF" (apagado).</li> <li>5. El icono de flecha del cepillo lateral y del cepillo principal gira.</li> </ol>
<b>Modalidad funcionamiento separado</b>		
<ul style="list-style-type: none"> <li>- Llave (56) encendida</li> <li>- Interruptor de seguridad del asiento (23) encendido</li> <li>- Botón de arranque (53) apagado</li> <li>- Botón de aspiración (49) /botón de la bomba (50) /botón del cepillo lateral (51) /botón sacudidor del filtro (52) activado</li> <li>- Pedal del acelerador (32) presionado</li> </ul>		<ol style="list-style-type: none"> <li>1. El punto en el medidor de horas parpadea.</li> <li>2. El icono de gota de agua del grifo parpadea.</li> <li>3. El icono del ventilador gira. (Si el sacudidor del filtro está encendido, el motor de aspiración se apagará).</li> <li>4. El icono de flecha del cepillo lateral gira.</li> </ol>
<b>Modalidad marcha atrás</b>		
<ul style="list-style-type: none"> <li>- Llave (56) encendida</li> <li>- Interruptor de seguridad del asiento (23) encendido</li> <li>- Botón de avance y retroceso (54) activado</li> </ul>		<p>Sonidos de bocina para avisar de la marcha atrás.</p>

CÓMO FUNCIONA	DESCRIPCIÓN DE	LA PANTALLA
<b>Modalidad estacionamiento/frenado</b>		
<ul style="list-style-type: none"> <li>- Llave (56) encendida</li> <li>- Interruptor de seguridad del asiento (23) encendido</li> <li>- Freno de estacionamiento mecánico (35) presionado</li> </ul>		La máquina deja de moverse. Otras funciones permanecen en su estado original.
<b>Modalidad parada de seguridad</b>		
<ul style="list-style-type: none"> <li>- Llave (56) encendida</li> <li>- Interruptor de seguridad del asiento (23) apagado (El operador abandona el asiento de la máquina)</li> </ul>		<ol style="list-style-type: none"> <li>1. El icono de "STOP" se alterna con la barra de estado de la pantalla.</li> <li>2. Todas las funciones están apagadas, excepto la bocina y el control de la luz.</li> </ol>
<b>Modalidad de carga</b>		
<ul style="list-style-type: none"> <li>- Conecte el enchufe del cargador a la alimentación</li> </ul>		<ol style="list-style-type: none"> <li>1. La pantalla LCD muestra el estado de carga.</li> <li>2. Todas las funciones están apagadas.</li> </ol>
<b>Modalidad apagado</b>		
<ul style="list-style-type: none"> <li>- Llave (56) apagada.</li> <li>- O botón parada de emergencia (61) encendido</li> </ul>		<ol style="list-style-type: none"> <li>1. La alimentación se corta.</li> <li>2. La pantalla LCD está apagada.</li> </ol> <p><b>Nota: Antes de desactivar la llave (56), desactive el botón de arranque (53) y espere a que el cepillo se eleve hasta la posición de máxima elevación.</b></p>

## ACCESORIOS

Los siguientes accesorios son opcionales:

1. Baterías WET/GEL/ AGM/TPPL
2. Cargador de baterías
3. Cepillo principales y laterales con cerdas más duras o más blandas
4. Luz azul
5. Protección superior
6. Depósito de la solución detergente montado en la parte trasera

Para más información sobre los accesorios opcionales, póngase en contacto con un revendedor autorizado.

## DATOS TÉCNICOS

Parámetro	Valor
Longitud de la máquina	1680 mm/66,1 pulg.
Anchura de la máquina (sin cepillos laterales)	1055 mm/41,5 pulg.
Altura máxima de la máquina	1300 mm/51,2 pulg.
Anchura de limpieza (sin cepillos laterales)	700 mm/27,6 pulg.
Anchura limpieza (con dos cepillos laterales)	1350 mm/53,1 pulg.
Altura mínima del suelo (cauchos no incluidos)	60 mm/2,4 pulg.
Medida cepillo principal (diámetro x largura)	300 x 700 (mm) / 11,8x27,6 (pulgadas)
Diámetro cepillo lateral	500 mm/19,7 pulg.
Velocidad de rotación cepillo principal	600 rpm
Velocidad de rotación cepillo lateral	0~98 rpm
Presión específica al suelo de la rueda delantera	0,88 N/mm <sup>2</sup>
Presión específica al suelo de las ruedas traseras	0,6 N/mm <sup>2</sup>
Peso de la máquina (sin baterías)	361 kg/794,2 Lbs.
Peso total de la máquina	688 kg/1516,8 Lbs.
Peso de transporte	495 kg/1089 Lbs.
Tamaño de transporte	1810x1180x1500(mm) / 71.3x46.5x59.1 (Pulgadas)
Capacidad cajón de residuos	130 L/34,3 Gal.
Motor cepillo principal	Entrada 624 W Salida 500 W/ Entrada 0,85 HP Salida 0,68 HP
Motores cepillo lateral	Entrada 280 W Salida 100 W/ Entrada 0,38 HP Salida 0,14 HP
Motor del sistema de tracción	Entrada 936 W Salida 650 W/ Entrada 1,2 HP Salida 0,88 HP
Motor del sistema de aspiración	Entrada 168 W Salida 139 W/ Entrada 0,23 HP Salida 0,19 HP
Motor sacudidor del filtro	Entrada 144 W Salida 100 W/ Entrada 0,2 HP Salida 0,14 HP
Tensión nominal	2640 W/3,6 HP
Consumo de energía	950 W/1,3 HP
Nivel de presión sonora (ISO 11201, ISO 4871) (LpA)	72 ± 3 dB (A)
Potencia acústica de salida de la máquina (ISO 3744, ISO 4871) (LpA)	86 ± 3 dB (A)
Nivel de vibración en los brazos del operador (ISO 5349-1) (*)	<2,5 m/s <sup>2</sup>
Nivel de vibración en el cuerpo del operador (ISO 2631-1) (*)	<1,5 m/s <sup>2</sup>
Grado de protección IP	IP 24

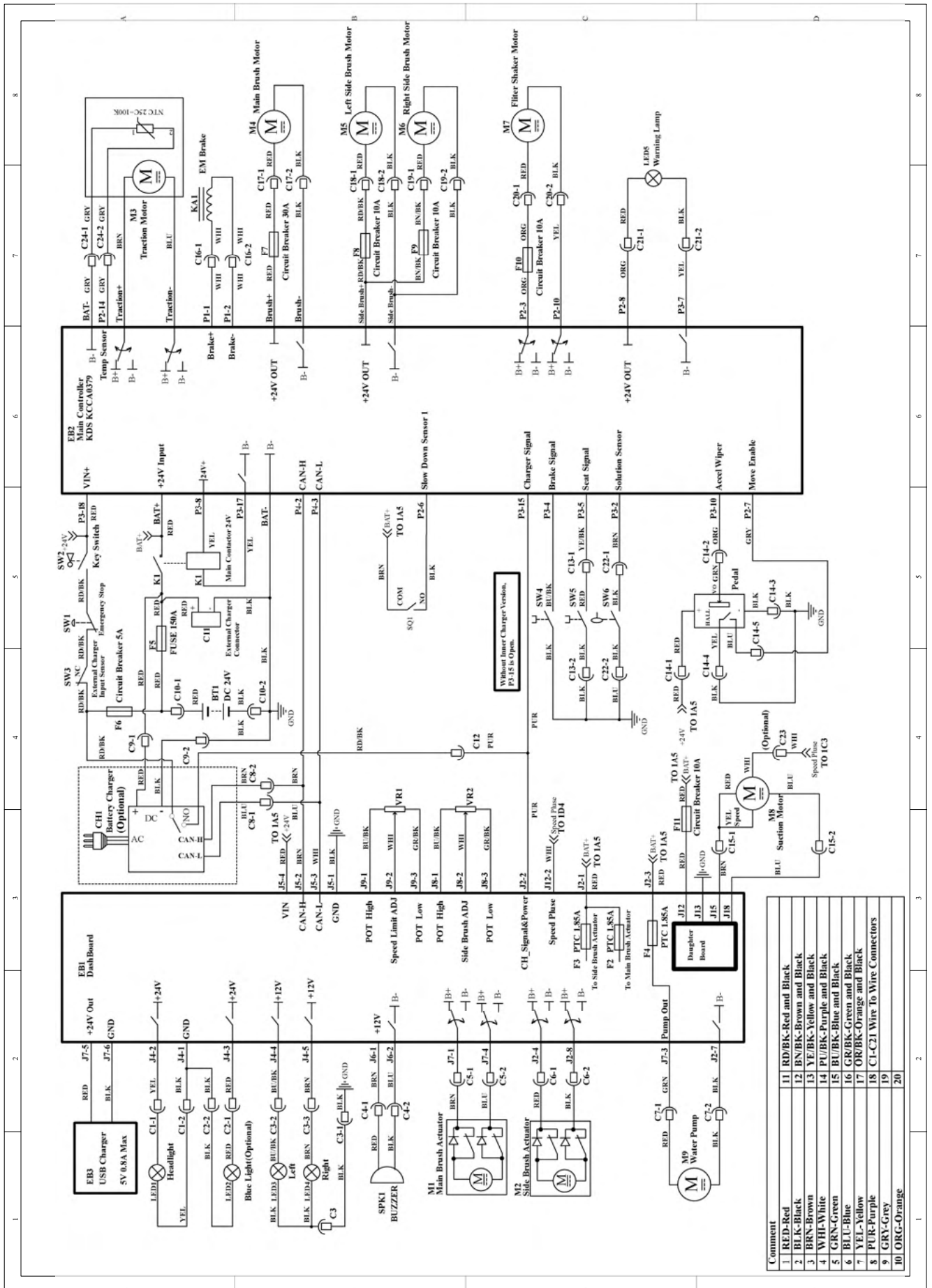
(\*) En condiciones normales de trabajo, sobre una superficie de asfalto nivelada.

Rendimiento	Valor
Velocidad máxima de rotación hacia adelante	8 km/h / 5 millas por hora
Velocidad máxima de rotación en marcha atrás	4 km/h / 2,5 millas por hora
Inclinación máxima superable (solo modalidad transporte)	20%
Inclinación máxima superable (modalidad trabajo)	16%
Mín giro anchura pasillo	2550 mm/100,4 pulg.

Batería	Valor
Tensión de la batería	DC 24 V
Tamaño interno del compartimiento de las baterías (largura x anchura x altura)	762 x 330 x 370 (mm)/ 30x13x14,6 (Pulgadas)

Aspiración y filtrado	Valor
Filtro de polvos	3,5 m <sup>2</sup> / 37,7 ft <sup>2</sup>
Cepillo principal compartimiento aspiración	8,8 mm H <sub>2</sub> O
Sacudidor del filtro	Eléctrico

ESQUEMA ELÉCTRICO





## GUÍA DE FUNCIONAMIENTO



**¡ADVERTENCIA!**

En algunos lugares de la máquina se encuentran etiquetas que indican:

- ¡PELIGRO!
- ¡ADVERTENCIA!
- ¡ATENCIÓN!
- CONSULTA

Durante la lectura de este manual, el operador debe prestar atención a los símbolos que aparecen en las etiquetas. No cubra estas etiquetas por cualquier motivo y reemplácelas inmediatamente si están dañadas.

### CONTROL/CONFIGURACIÓN DE LA BATERÍA EN UNA MÁQUINA NUEVA



**¡ADVERTENCIA!**

Los componentes eléctricos de la máquina pueden resultar seriamente dañados si las baterías están mal instaladas o conectadas. Las baterías deben ser instaladas solamente por personal cualificado. Ajuste el tipo de batería siguiendo las operaciones siguientes según el tipo de batería utilizado (WET o GEL/AGM/DIS/EXI/FUL/OPT/ENE(TPPL)). Antes de instalar las baterías, controlar que no estén dañadas. Desconecte el conector de baterías y el enchufe el cargador de batería. Manipule las baterías con gran cuidado. Instale las tapas de protección de los terminales de las baterías suministradas con la máquina.



**NOTA**

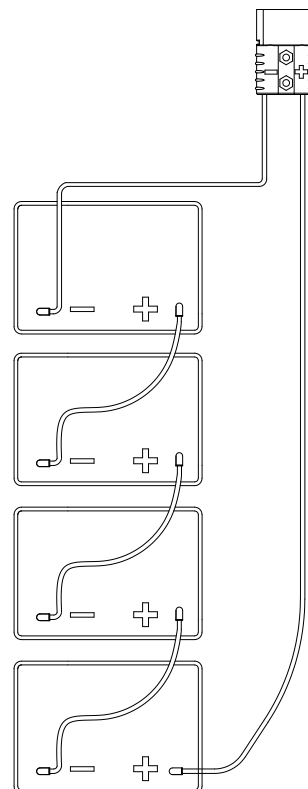
La máquina requiere cuatro baterías de 6 V, conectadas e instaladas en las posiciones que se muestran en la figura 6.

#### Baterías instaladas en la máquina y listas para su uso

1. Asegúrese de que el conector de las baterías esté conectado.
2. Cuando se utiliza la máquina por primera vez con baterías nuevas, efectúe un ciclo de carga completo de las baterías (véase procedimiento en el capítulo Mantenimiento).

#### Sin baterías

1. Compre baterías adecuadas (véase el capítulo «Datos técnicos»). Para elegir e instalar las baterías, contacte con distribuidores cualificados.
2. Ajuste el tipo de batería según los procedimientos siguiente.



**Figura 6**

## INSTALACIÓN DE LA BATERÍA Y CONFIGURACIÓN DEL TIPO DE BATERÍA (WET/GEL/AGM/DIS/EXI/FUL/OPT/ENE(TPPL))

### Instalación de la batería

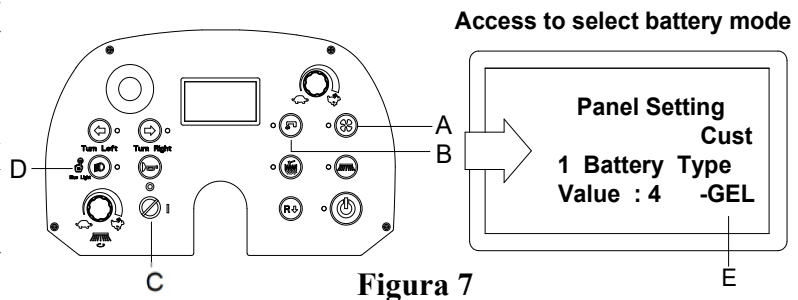
1. Asegúrese de que la máquina está apagada con la llave de encendido y el freno de estacionamiento está enganchado.
2. Incline, con cuidado, la tapa hacia atrás (31, figura 2).
3. La máquina está equipada con los cables de batería adecuados para instalar baterías 4X6V. Coloque con cuidado las baterías en el compartimento y a continuación instélaslas correctamente.
4. Pase e instale los cables de la batería como se indica en la figura 6 y apriete cuidadosamente la tuerca en cada uno de los terminales de la batería.
5. Coloque la tapa de protección sobre cada borne y luego conecte el conector de la batería a la máquina.
6. Gire la tapa hacia atrás con cuidado.

### Configuración del tipo de batería (WET/GEL/AGM/DIS/EXI/FUL/OPT/ENE(TPPL))

#### Acceso para seleccionar la modalidad batería

Según el tipo de baterías (WET/GEL/AGM/DIS/EXI/FUL/OPT/ENE(TPPL)), configure la máquina realizando el procedimiento siguiente:

7. Pulse al mismo tiempo el botón de aspiración (A, figura 7) y el botón de la bomba (B, figura 7).
8. Introduzca la llave de encendido (C, figura 7) y colóquela en la posición «I».
9. Varios segundos más tarde, entre en el sistema seleccionando la modalidad batería (figura 7).
10. Desenganche el botón de aspiración (A, figura 7) y el botón de la bomba (B, figura 7).
11. Pulse el botón de aspiración (A, figura 7) y el botón de la bomba (B, figura 7) para seleccionar el tipo de batería (E, Figura 7).
12. Pulse el botón del faro delantero (D, figura 7), aproximadamente 1 segundo después la pantalla muestra «Update OK» (Actualización OK), lo que indica que el tipo de batería está configurado, luego reinicie la máquina. (C, figura 7).

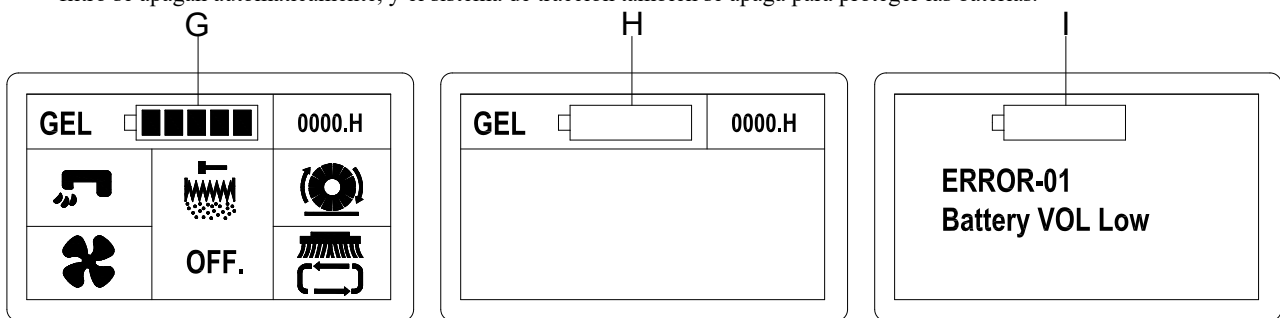


### Carga de la batería

Efectuar un ciclo de carga completa de las baterías (véase procedimiento en el capítulo Mantenimiento).

### Descarga de la batería

1. Cuando el icono de la batería muestra el nivel de batería lleno (G, figura 8), las baterías están completamente cargadas.
2. Cuando el icono de batería muestra nivel de la batería bajo (H, Figure 8), es necesario cargar las baterías. Varios segundos después de que aparece el nivel de batería bajo, los motores del cepillo principal/ del cepillo lateral/ de la aspiración / de la bomba / del sacudidor del filtro se apagan automáticamente, mientras que el sistema de tracción permanece encendido. Lleve inmediatamente la máquina en el área designada para la carga de las baterías.
3. Cuando la tensión de la batería es muy bajo, una advertencia de error “Battery VOL Low” (VOL bajo de la batería) (I, figura 8) parpadeará en la pantalla. Los motores del cepillo principal/del cepillo lateral/de la aspiración/de la bomba/del sacudidor del filtro se apagan automáticamente, y el sistema de tracción también se apaga para proteger las baterías.



## ANTES DE LA PUESTA EN MARCHA DE LA MÁQUINA

### Lista de comprobación

1. Hay que tener un pleno conocimiento de los controles de funcionamiento de la máquina y de sus funciones.
2. Siéntese en el asiento (A, figura 9), inserte la llave de encendido (J, figura 9) y ponga en marcha la máquina. (Véase el procedimiento en el párrafo siguiente)
3. Controle el nivel de la batería. Si el icono de la batería en la pantalla LCD (G, figura 9) es de 5 bares, las baterías están completamente cargadas para su uso. Si es de 1 bar o menos, las baterías deben cargarse antes de su funcionamiento. [Véase el capítulo Mantenimiento para cargar la batería].
4. Controle el freno de estacionamiento (F, Figura 9). El freno debe mantener su configuración (bloqueado) firmemente sin ser desenganchado fácilmente (informe inmediatamente de cualquier defecto al Centro de Asistencia de Nilfisk).
5. Controle el correcto funcionamiento del pedal de aleta (E, Figura 9).
6. Pulse el pedal de aceleración (D, Figura 9) ligeramente y desengánchelo para controlar que la máquina puede orientarse hacia adelante y detenerse.
7. Para mayor seguridad, compruebe que la máquina puede detenerse de inmediato al presionar el botón de emergencia (B, Figura 9). Gire el botón de emergencia para reiniciarlo.



### ¡ADVERTENCIA!

Si el pedal está «esponjoso» o se desvanece bajo presión sin una fuerza de frenado eficiente, no lleve la máquina (informe inmediatamente de todos los defectos al Centro de Asistencia de Nilfisk).

8. Asegúrese de que no hay tapas /capó abiertos y que la máquina está en condiciones normales de funcionamiento.
9. Asegúrese de que el cajón de residuos (H, Figura 9) está correctamente cerrado.

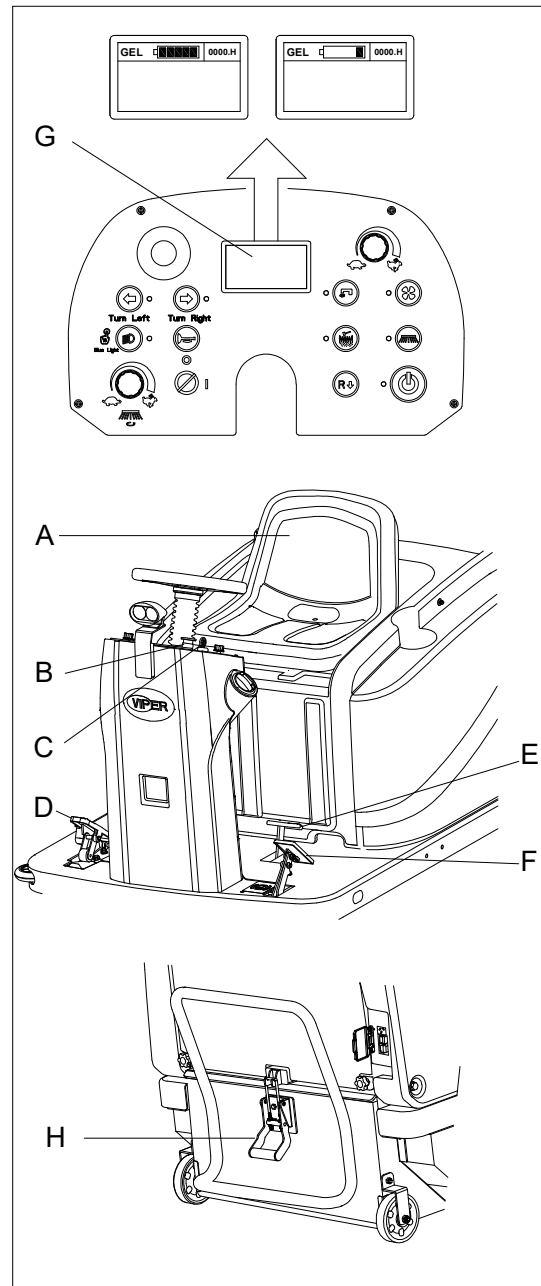


Figura 9

### Planificación limpieza

1. Organice tramos largos, manteniendo al mínimo el número de paradas y arranques.
2. Los tramos de barrido deben solaparse un poco para conseguir una cobertura completa.
3. Evite hacer giros bruscos, golpear o arañar los laterales de la máquina.

## ARRANCAR Y PARAR LA MÁQUINA

### Funcionamiento preliminar

1. Siéntese en el asiento de conducción (A, Figura 10) y ajuste la posición con la palanca (C, Figura 10) para facilitar el acceso a todos los controles.



#### NOTA

El asiento de conducción (A, Figura 10) está equipado con un sensor de seguridad, que permite que la máquina se conduzca solo cuando el operador está en el asiento del conducción.

### Puesta en marcha de la máquina

2. Siéntese en el asiento (A, figura 10), inserte la llave de encendido (J, figura 10) y gírela hasta «I».
3. Desactive el freno de estacionamiento y lleve la máquina a la zona de trabajo.
4. Pulse el botón de arranque (M, Figura 10) para poner en marcha la máquina, los cepillos laterales y el cepillo principal se bajan automáticamente al suelo.
5. Pise el pedal del acelerador (E, Figura 10), lleve la máquina hacia adelante o hacia atrás con el volante (B, Figura 10) y el botón de avance-retroceso (L, Figura 10). La velocidad de rotación se puede ajustar con perilla del regulador de la velocidad (N, figura 10). Los cepillos principales/laterales y el motor de aspiración comienzan a funcionar.
6. Ajuste la velocidad de rotación del cepillo lateral con la perilla del regulador de la velocidad de rotación de los cepillos (I, Figura 10) según las necesidades de limpieza.
7. El puerto de carga USB (D, Figura 10) se puede utilizar para cargar el teléfono móvil o la tablet cuando la llave de encendido (J, Figura 10) esté en «I».
8. Presione el botón de bocina (K, figura 10) para avisar a las personas cuando sea necesario.



#### NOTA

El cepillo principal y los cepillos laterales (F y H, Figura 10) se pueden bajar y levantar incluso cuando la máquina se está moviendo. El cepillo principal y los laterales no giran cuando se levantan.

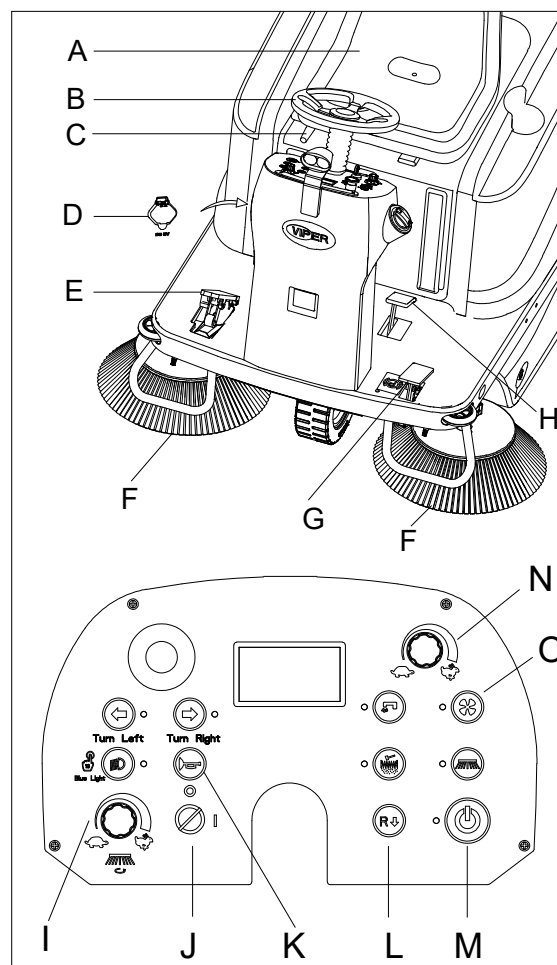


Figura 10

9. Empiece barriendo girando el volante (B, Figura 10) y llevando la máquina hacia adelante con el pedal del acelerador (E, Figura 10).

### Parada de la máquina

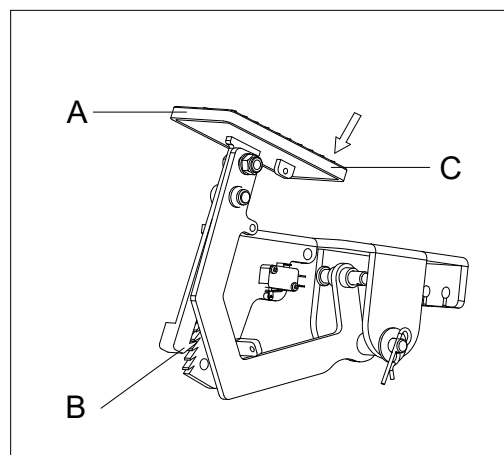
10. Desenganche el pedal del acelerador (E, Figura 10) y la máquina deja de moverse.
11. Pulse de nuevo el botón de arranque (M, Figura 10) para desactivar los cepillos, el motor de aspiración y la bomba. El cepillo principal y los cepillos laterales se levantan del suelo automáticamente. El sistema de aspiración se apaga después de algunos segundos.
12. Lleve la llave de encendido en la posición «O».
13. Enganche el freno de estacionamiento.

## FRENO DE ESTACIONAMIENTO

1. Enganche el freno de estacionamiento presionando la parte delantera del pedal (A, Figura 11) y enganche la palanca (B, Figura 11).
2. Desactive el freno de estacionamiento presionando la parte posterior del pedal (C, Figura 11) y soltándolo.



**¡ADVERTENCIA!**  
**Antes de realizar cualquier operación de mantenimiento, reparación, limpieza o sustitución, accione el freno de estacionamiento.**  
**No estacione la máquina en una rampa.**



**Figura 11**

## FUNCIONAMIENTO DE LA MÁQUINA



**¡ADVERTENCIA!**  
**Cuando utilice la máquina en pendientes, siga los valores máximos de gradiente marcados en la máquina (véase el capítulo «Datos técnicos»).**



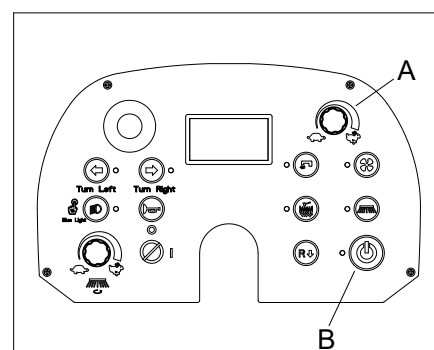
**¡ADVERTENCIA!**  
**Tenga mucho cuidado al operar la máquina a alta velocidad de rotación: una maniobra repentina podría hacer que esta máquina de tres ruedas se vuelva inestable debido a la distribución del peso. Reduzca siempre la velocidad antes de girar.**

1. Lleve la máquina a la zona de trabajo, tal y como se indica en el párrafo anterior.
2. Lleve la máquina hacia delante a alta velocidad. Lleve la máquina más despacio al barrer una gran cantidad de polvo o residuos o cuando el funcionamiento seguro requiere una velocidad más lenta. Para lograr resultados óptimos, se recomiendan recorridos de barrido superpuestos de más de 10 cm (4 pulgadas).
3. Evite detener la máquina en la misma posición durante mucho tiempo con los cepillos girando: esto podría crear marcas no deseadas en el suelo.
4. Para aspirar materiales de desecho ligeros y voluminosos, levante el caucho delantero presionando el pedal de aleta (H, Figura 10); tenga en cuenta que la capacidad de aspiración de la máquina se reduce cuando se levanta el caucho delantero.



**¡ATENCIÓN!**  
**Cuando se opera en suelos mojados, es esencial desactivar el sistema de aspiración presionando el botón de aspiración (A, Figura 12) para evitar que el filtro de polvo se dañe.**

5. Para el funcionamiento correcto de la máquina, el filtro de polvo debe estar lo más limpio posible. Para limpiarlo mientras se barre, active el sacudidor del filtro presionando el botón del sacudidor del filtro (B, Figura 12). Durante esta operación, el motor de aspiración se apaga automáticamente. Después de limpiar el filtro, el sistema de aspiración vuelve a funcionar automáticamente; luego empiece a barrer de nuevo. Mientras funciona, la modalidad de «limpieza automática del filtro» se puede activar presionando el botón del sacudidor del filtro (B, Figura 12) durante 1 segundo, lo que puede repetir la operación de limpieza del filtro cada 10 minutos aproximadamente (dependiendo del polvo del área a limpiar, el intervalo se puede configurar de 1 a 60 minutos, el ajuste del parámetro véase el Manual de asistencia).



**Figura 12**



**NOTA**  
**Esta operación se puede realizar incluso cuando la máquina se está moviendo.**

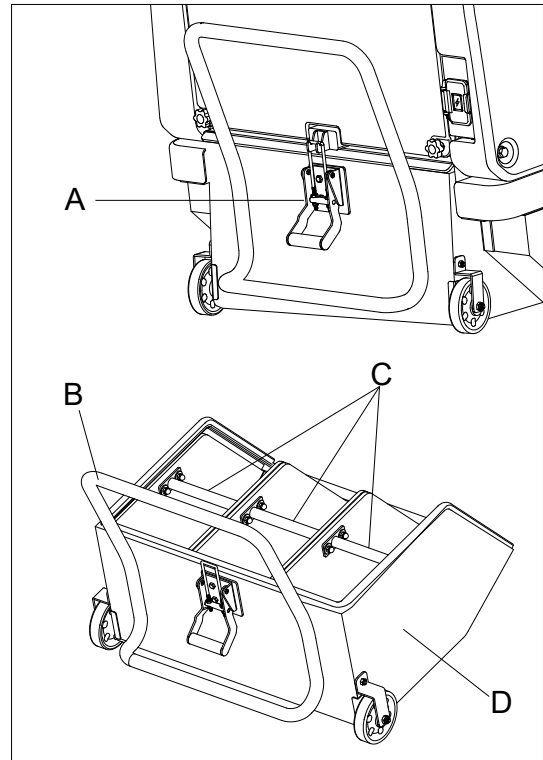


**¡ATENCIÓN!**  
**Cuando el filtro de polvo está obstruido y/o el cajón de residuos está lleno, la máquina ya no puede recoger el polvo y los residuos.**

6. El cajón de residuos (D, Figura 13) debe vaciarse después de cada ciclo de trabajo y siempre que esté lleno (véase el procedimiento en el párrafo siguiente).

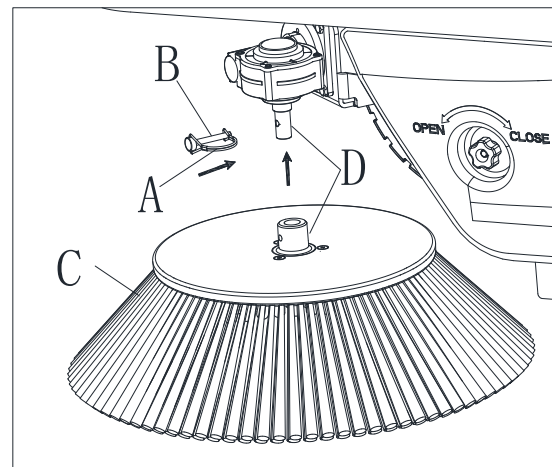
**VUELCO CAJÓN DE RESIDUOS**

1. Pare la máquina (véase las operaciones en el párrafo anterior).
2. Enganche el freno de estacionamiento.
3. Desenganche el gancho (A, Figura 13) tirando de su extremo inferior.
4. Quite el cajón de residuos (D, Figura 13) desactivándola de las guías internas con la manija (B, Figura 13).
5. Descargue todos los residuos en contenedores especiales. Para facilitar la operación de descarga, hay tres cajas internas (opcionales) con manijas (C, Figura 13) dentro del cajón de residuos.
6. Coloque las cajas internas con la manija (C, Figura 13), si presente.
7. Instale el cajón de residuos (D, Figura 13) enganchándolo a las guías internas, luego sujételo con el gancho (A, Figura 13)

**Figura 13****INSTALACIÓN CEPILLO LATERAL****¡ADVERTENCIA!**

Es aconsejable usar guantes de protección al limpiar los cepillos laterales, ya que puede haber residuos cortantes entre las cerdas.

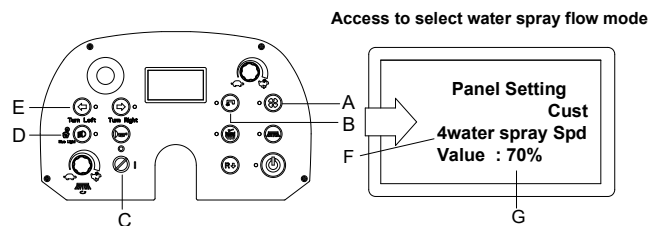
1. Lleve la máquina a nivel del suelo y enganche el freno de estacionamiento.
2. Lleve la llave de encendido en la posición «O».
3. Desenganche el muelle (A, Figura 14) y quite el enchufe (B, Figura 14) del eje del cepillo lateral (C, Figura 14).
4. Instale el cepillo lateral en el eje del motorreductor, inserte el enchufe en los orificios (D, Figura 14) y enganche el muelle (A, Figura 14).

**Figura 14**

## CONFIGURACIÓN CAUDAL PULVERIZACIÓN DEL AGUA

Configure la máquina de la siguiente manera:

1. Pulse al mismo tiempo el «botón de aspiración» (A, figura 15) y el «botón de la bomba» (B, figura 15).
2. Introduzca la llave de encendido (C, figura 15) y colóquela en la posición «I».
3. Varios segundos más tarde, entre en el sistema seleccionando la modalidad configuración usuario (Figura 15).
4. Desenganche el «botón de aspiración» (A, figura 15) y el «botón de la bomba» (B, figura 15).
5. Pulse el «botón giro a la izquierda» (E, Figura 15) para seleccionar el elemento 4 «4Water Spray Spd» (Velocidad pulverización del agua) (F, Figura 15)
6. Pulse el «botón de aspiración» (A, Figura 15) y el «botón de la bomba» (B, Figura 15) para seleccionar el valor de la velocidad de pulverización de agua (50%, 60%,70%...) (G, Figura 15).
7. Pulse el «botón del faro delantero» (D, Figura 15), aproximadamente 1 segundo después la pantalla muestra «Update OK» (Actualización OK), lo que indica que el caudal de pulverización del agua está configurado, luego reinicie la máquina. (C, figura 7).

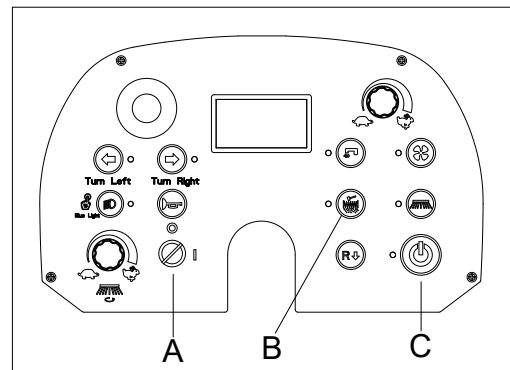


**Figura 15**

## DESPUÉS DEL USO DE LA MÁQUINA

Después del funcionamiento, antes de guardar la máquina, realice los siguientes operaciones.

1. Pulse el botón de arranque (C, Figura 16) para desactivar todas las funciones (aspiración, cepillos principales/laterales y bomba) y, a continuación, se levantarán el cepillo principal y los laterales.
2. Pulse el botón del sacudidor del filtro para activar el sacudidor del filtro (B, Figura 16).
3. Vacíe el cajón de residuos (D, Figura 13) (véase las operaciones en el párrafo anterior).
4. Lleve la llave de encendido (A, Figura 16) en la posición «O» y retírela.
5. Enganche el freno de estacionamiento.
6. Si necesario, cargue las baterías (véase procedimientos en el capítulo Mantenimiento).

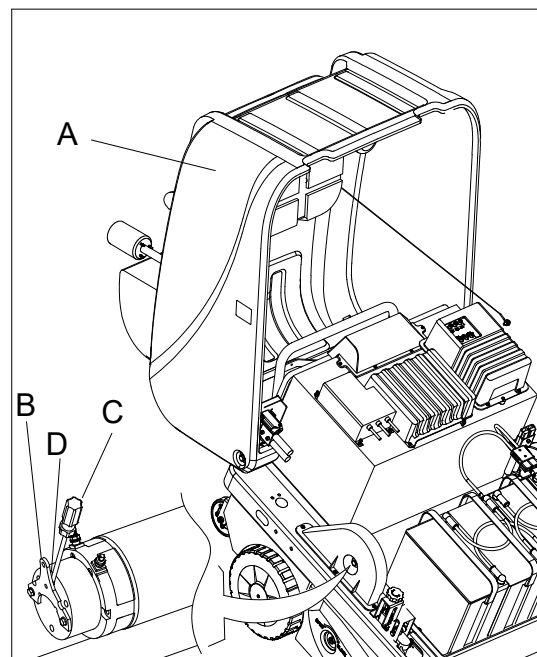


**Figura 16**

## DESPLAZAMIENTO DE LA MÁQUINA MEDIANTE EMPUJE/REMOLQUE

Para empujar/remolcar la máquina cuando está apagada, realice los siguientes operaciones:

1. Abra la tapa (A, figura 17).
2. Tire de la manija del motor de tracción (B, Figura 17) hacia afuera.
3. Introduzca el destornillador (C, Figura 17) en la ranura (D, Figura 17). Gire la tapa hacia atrás, ahora la máquina puede ser empujada o remolcada.
4. Cuando la máquina se mueva al destino, saque el destornillador (C, Figura 17), ahora la máquina puede funcionar normalmente.



**Figura 17**

## ALMACENAMIENTO DE LA MÁQUINA DURANTE LARGOS PERIODOS DE INACTIVIDAD

Si la máquina no va a ser utilizada durante más de 30 días, proceda de la siguiente manera:

5. Realice los procedimientos que se muestran en el capítulo Después del uso de la máquina.
6. Desconecte el conector de la batería.

## PRIMER PERÍODO DE USO

Después de las primeras 8 horas de uso, controle si los retenes y las conexiones de la máquina están bien apretados e inspeccione las partes visibles en busca de desgaste y fugas.

## MANTENIMIENTO



**¡ADVERTENCIA!**

Los procedimientos de mantenimiento deben ser realizados cuando la máquina está apagada y el cable del cargador de la batería está desconectado. Además, lea atentamente los capítulos de seguridad en estas instrucciones.

Todos los procedimientos de mantenimiento programado o extraordinario deben ser realizados por personal cualificado o un Centro de asistencia autorizado. Este manual sólo describe los procedimientos de mantenimiento generales y comunes.

Para otros procedimientos de mantenimiento que no se encuentran en la tabla del programa de mantenimiento siguiente, contacte con nuestro Departamento de Soporte Técnico.

### TABLA DE MANTENIMIENTO PROGRAMADO

Procedimiento	En el momento de la entrega	Cada 10 horas	Cada 50 horas	Cada 100 horas	Cada 200 horas	Cada 400 horas
Carga de la batería						
Control del nivel de electrolito de la batería (WET)		(2)				
Limpieza cepillo principal						
Control y ajuste de la altura del cepillo lateral y principal						
Limpieza del filtro de polvos y control integridad		(3)				
Control altura y funcionamiento del caucho						
Control funcionamiento sacudidor del filtro			(*)			
Control visual correa de tracción del cepillo principal			(*)			
Control y ajuste del pedal de aleta				(*) (4)		
Control y limpieza de la cadena de dirección					(*)	
Sustitución correa de tracción del cepillo principal					(*)	
Control o sustitución de los cepillos de carbón del motor del sistema de tracción y del motor del cepillo principal						(*)

1. (\*) Para las operaciones relacionadas, véase el Manual de asistencia.
2. Diario o después del uso de la máquina.
3. O antes de la puesta en marcha de la máquina.
4. O más frecuentemente en ambientes polvorientos.



## CARGA DE LA BATERÍA

**NOTA**

Cargue las baterías cuando el nivel de la batería es bajo.

**¡ATENCIÓN!**

Si se mantienen las baterías cargadas, su durabilidad aumenta.

**¡ATENCIÓN!**

Cuando las baterías están descargadas, carguélas lo antes posible, porque su durabilidad podría reducirse. Controle el nivel de electrolito de las baterías WET por lo menos una vez por semana.

**¡ADVERTENCIA!**

Cargando las baterías WET se produce gas hidrógeno muy explosivo. Cargar las baterías sólo en áreas bien ventiladas y lejos de llamas libres. No fume mientras recarga las baterías. El depósito debe permanecer siempre abierto mientras se cargan las baterías.

**¡ADVERTENCIA!**

Durante la carga tener mucho cuidado que el líquido de las baterías no sobresalga, es corrosivo. En caso de contacto con la piel o los ojos lavar a conciencia con agua y consultar un médico.

**Operaciones preliminares**

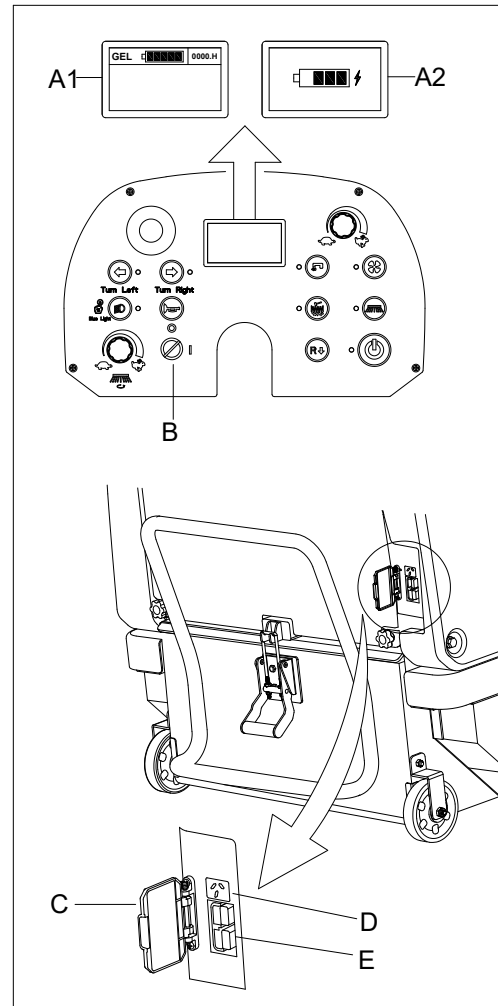
1. Lleve la máquina al área de carga designada.
2. Lleve la llave de encendido (B, Figura 18) en la posición «O».
3. Cargar las baterías mediante el procedimiento siguiente.

**Carga de la batería (Máquina con cargador externo)**

4. Abra la tapa de protección (C, Figura 18). Conecte el conector del cargador externo al conector (E, Figura 18) de la máquina. Cuando el cargador externo está conectado a la máquina, todas las funciones de la máquina se paran automáticamente.
5. Enchufe el cargador externo la toma de pared.
6. Al finalizar la carga de la batería, desconecte el cargador de la toma de pared y, a continuación, desconecte el cable del cargador de la batería externo de la máquina.
7. Controle el nivel de electrolito después de cargar las baterías (solo para baterías WET).
8. Introduzca la llave de encendido (B, Figura 18) y colóquela en la posición «I». Controle el nivel de la batería en la pantalla multifunción (A1, Figura 18).

**Carga de la batería (Máquina con cargador de a bordo)**

9. Abra la tapa de protección (C, Figura 18). Conecte el cable de alimentación al enchufe del cargador de a bordo (D, Figura 18) de la máquina, luego conecte el otro extremo del cable de alimentación a la toma de pared.
10. El estado de carga se puede comprobar en la pantalla multifunción (A2, Figura 18).
11. Al finalizar la carga de la batería, desconecte el cable de alimentación de la toma de pared y, a continuación, desconecte el cable de alimentación de la máquina.
12. Controle el nivel de electrolito después de cargar las baterías (solo para baterías WET).
13. Introduzca la llave de encendido (B, Figura 18) y colóquela en la posición «I». Controle el nivel de la batería en la pantalla multifunción (A1, Figura 18).

**Figura 18**

## CONTROL Y AJUSTE DE LA ALTURA DEL CEPILLO PRINCIPAL

**NOTA**

Están disponibles cepillos con cerdas más duras o más blandas. Este operación es aplicable a todo tipo de cepillos.

1. Controle la distancia del cepillo principal del suelo según el procedimiento siguiente:

- \* Lleve la máquina a una superficie nivelada.
- Ajuste la perilla de ajuste de la velocidad (A, Figura 19) para minimizar la velocidad de conducción.
- Pulse el botón de arranque (B, Figura 19) para bajar el cepillo principal girándolo durante aproximadamente un minuto pisando el pedal del acelerador.
- Detenga y levante el cepillo principal, luego mueva la máquina apagándola.
- .
- Controle que la huella del cepillo principal (A, Figura 20), a lo largo de su largura, sea de 2 a 4 cm de ancho.

Si la huella (A, Figura 20) no está dentro de las especificaciones, ajuste la altura del cepillo principal según el procedimiento siguiente.

2. Enganche el freno de estacionamiento.
3. Lleve la llave de encendido en la posición «O».
4. Abra la tapa.
5. Gire el ajustador del cepillo principal (B, Figura 21) en el lado derecho de la máquina según el procedimiento siguiente:
  - Para aumentar la anchura de la huella, gírela en sentido contrario a las agujas del reloj para bajar el cepillo.
  - Para disminuir la anchura de la huella, gírela en el sentido de las agujas del reloj para levantar el cepillo.

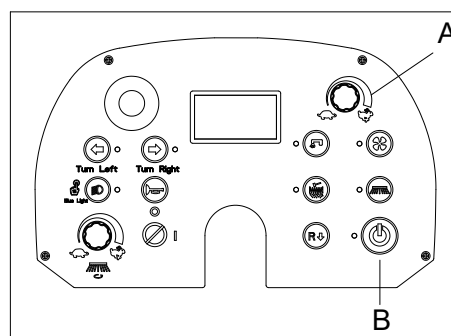


Figura 19

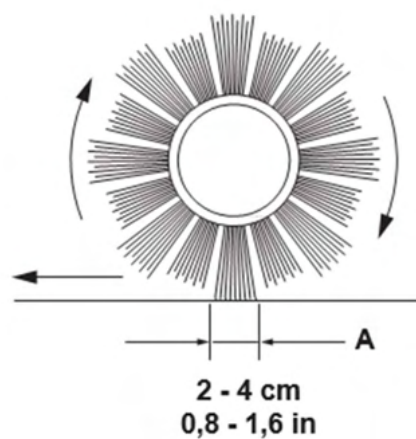


Figura 20

**NOTA**

La altura del cepillo se puede ajustar según con el desgaste de las cerdas del cepillo para asegurarse de que la huella está dentro de las especificaciones.

6. Vuelva a realizar el paso 1 para controlar el ajuste correcto de la altura del cepillo principal.
7. Cuando el cepillo está demasiado desgastado para ajustarse, sustitúyalo como indicado en el párrafo siguiente.

**NOTA**

Si la huella (A, Figura 20) no puede ajustarse correctamente debido a la diferente largura de las cerdas, lo que provoca una presión diferente en el suelo, véase el Manual de asistencia.

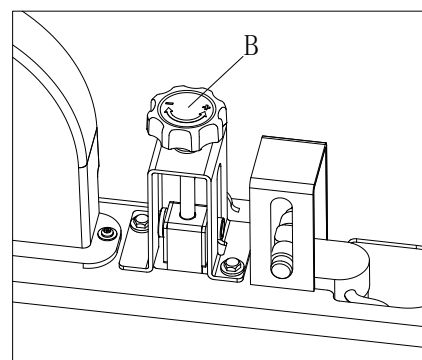


Figura 21

## SUSTITUCIÓN CEPILLO PRINCIPAL

**¡ADVERTENCIA!**

Es aconsejable usar guantes de protección al limpiar el cepillo principal, ya que puede haber residuos cortantes entre las cerdas.

1. Lleve la máquina a nivel del suelo y enganche el freno de estacionamiento.
2. Lleve la llave de encendido en la posición «O».
3. Desenrosque las perillas (C Figura 22) y quite la tapa izquierda (B, Figura 22).
4. Desenrosque la perilla (A, Figura 23) y retire el soporte del cubo arrastrador (D, Figura 23).
5. Desenrosque las perillas (B, Figura 23) y quite la tapa del compartimento del cepillo (C, Figura 23).
6. Retire el cepillo principal (E, Figura 24) junto con el cubo (J, Figura 26).
7. Controle que el cubo arrastrador (F, Figura 24) esté libre de suciedad o materiales extraños (cuerdas, cordones, etc.) enrollados accidentalmente.
8. El nuevo cepillo principal debe instalarse con el patrón de cerdas como indicado en la figura (G, Figura 24).
9. Coloque el nuevo cepillo principal y asegúrese de que la malla hexagonal (H, Figura 24) encaje correctamente en el cubo arrastrador (F, Figura 24).
10. Coloque el cubo (J, Figura 26) en el cepillo principal.
11. Coloque la tapa del compartimento del cepillo (C, Figura 25) apretando las perillas (B, Figura 25).
12. Coloque el estribo del cubo arrastrador (D, Figura 23) apretando la perilla (A, Figura 23).
13. Coloque la tapa izquierda (B Figura 22) apretando las perillas (A Figura 22).
14. Controle y ajuste la altura del cepillo principal como indicado en el párrafo anterior.

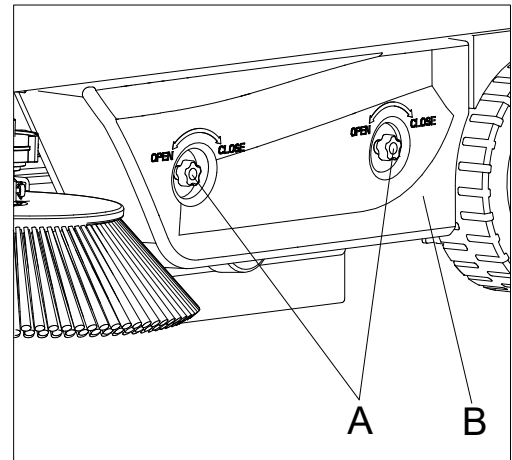


Figura 22

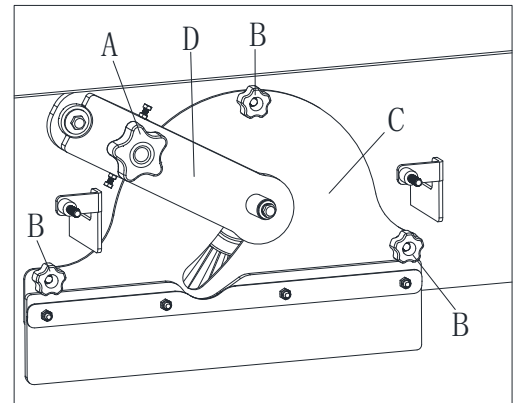


Figura 23

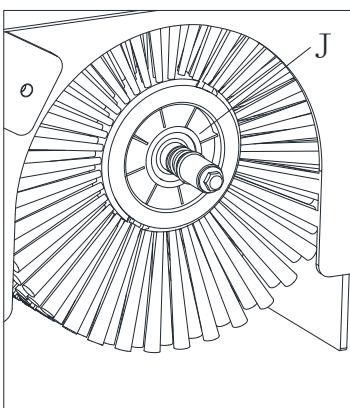


Figura 26

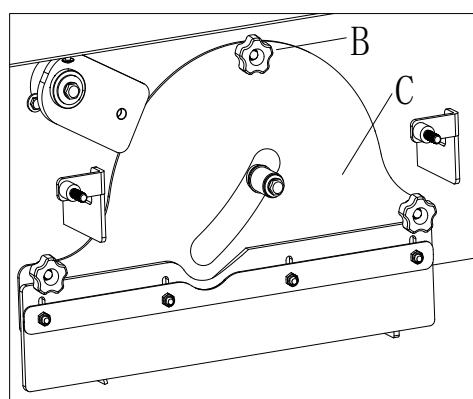


Figura 25

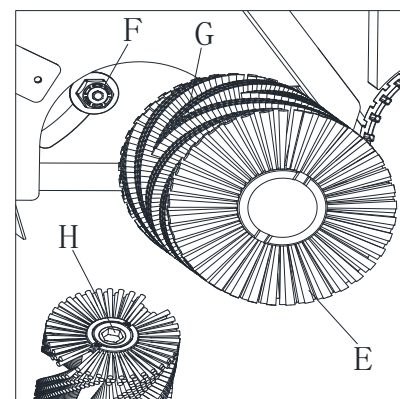


Figura 24

## CONTROL Y AJUSTE DE LA ALTURA DEL CEPILLO LATERAL

**NOTA**

Están disponibles cepillos con cerdas más duras o más blandas.  
 Este operación es aplicable a todo tipo de cepillos.

1. Controle la distancia del cepillo lateral del suelo según el procedimiento siguiente:
  - Lleve la máquina a una superficie nivelada.
  - Ajuste la perilla de ajuste de la velocidad (A, Figura 27) para minimizar la velocidad de conducción.
  - Pulse el botón del cepillo lateral (B, Figura 27) para bajar el cepillo lateral girándolo durante aproximadamente un minuto pisando el pedal del acelerador.
  - Controle que las huellas del cepillo lateral sean como indicado en la figura (A y B, Figura 28).

Si la huella no está dentro de las especificaciones, ajuste la altura del cepillo lateral según el procedimiento siguiente.

2. Enganche el freno de estacionamiento.
3. Lleve la llave de encendido en la posición «O».
4. Desenrosque las perillas (C Figura 22) y quite la tapa izquierda (B, Figura 22).
5. Ajuste el regulador del cepillo lateral (C, Figura 29) hasta lograr la huella adecuada (A y B, Figura 28). A continuación, fije el regulador con virola (D, Figura 29).
6. Vuelva a realizar el paso 1 para controlar el ajuste correcto de la altura del cepillo lateral.
7. Cuando el cepillo está demasiado desgastado para ajustarse, sustitúyalo como indicado en el capítulo Instalación cepillo lateral.

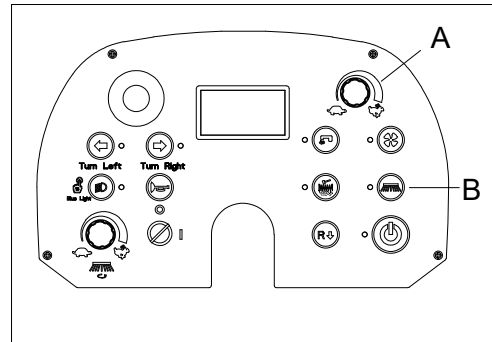


Figura 27

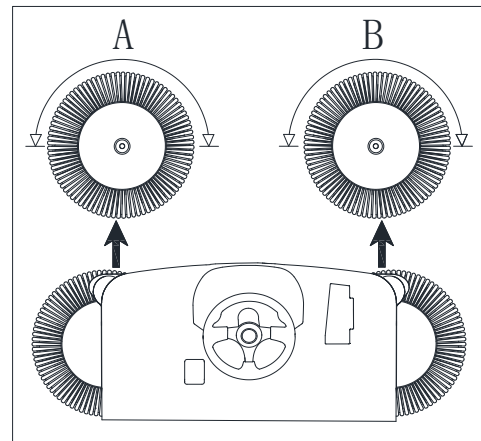


Figura 28

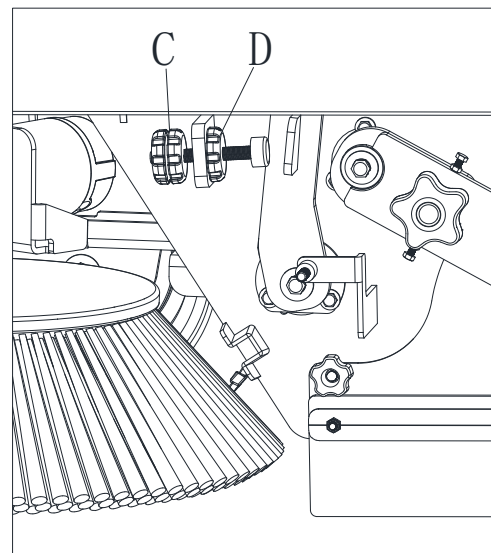


Figura 29

## LIMPIEZA DEL FILTRO DE POLVOS Y CONTROL INTEGRIDAD



## NOTA

Además del filtro de poliéster estándar, también están disponibles filtros de papel. La siguiente operación es aplicable a ambos tipos.

1. Lleve la máquina a nivel del suelo y enganche el freno de estacionamiento.
  2. Lleve la llave de encendido en la posición «O».
  3. Quite la tapa (A, figura 30).
  4. Desenganche el gancho (A, Figura 30) tirando de su extremo inferior.
  5. Quite el cajón de residuos (E, Figura 30) desactivándola de las guías internas con la manija (C, Figura 30).
  6. Desenrosque las perillas (D, Figura 30) y quite la tapa del compartimento del filtro (C, Figura 30).
  7. Desenrosque las perillas (A, Figura 30).
  8. Desconecte el conector del motor del sacudidor del filtro (C, Figura 31) (B, Figura 31).
  9. Quite el marco de fijación del filtro de polvo (D, Figura 31).
  10. Quite el filtro de polvo (E, Figura 31).
  11. En una zona exterior, limpie el filtro agitándolo en una superficie nivelada y limpia, golpeando el lado (A, Figura 32) opuesto a la redcilla (B, Figura 32). Complete la operación de limpieza utilizando aire comprimido (C, Figura 32) a un máximo de 6 bares (85 psi), soplando solo desde el lado de la redcilla (B, Figura 32), a una distancia mínima de 30 cm.
- Según el tipo de filtro, observe las siguientes precauciones:
- Filtro de papel (opcional): No utilice agua ni detergentes para limpiarlo, de lo contrario puede dañarse.
  - Filtro de poliéster (estándar): Para una mejor limpieza, el filtro se puede lavar con agua y detergentes sin espuma. Esto proporciona una mejor calidad de limpieza, pero reduce la vida útil del filtro y hace que se reemplace con más frecuencia. El uso de detergentes inadecuados puede dañar el filtro.
12. Controle la integridad del cuerpo del filtro. Si necesario, sustituya el filtro.
  13. Limpie la guarnición de caucho (A, Figura 33) de la tapa y controle su integridad y eficiencia. Si necesario, sustituirla.
  14. Monte los componentes en orden contrario al desmontaje y tenga en cuenta lo siguiente:
    - Instale el filtro (E, Figura 31) con la redcilla (B, Figura 32) hacia arriba.

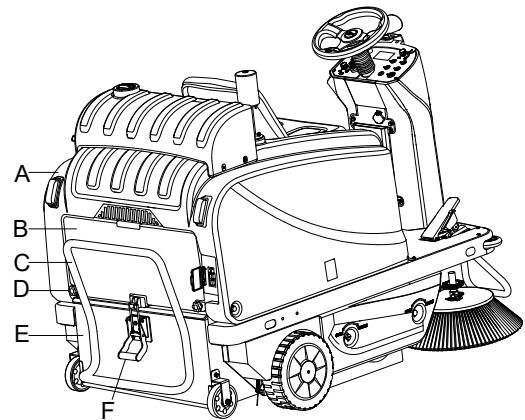


Figura 30

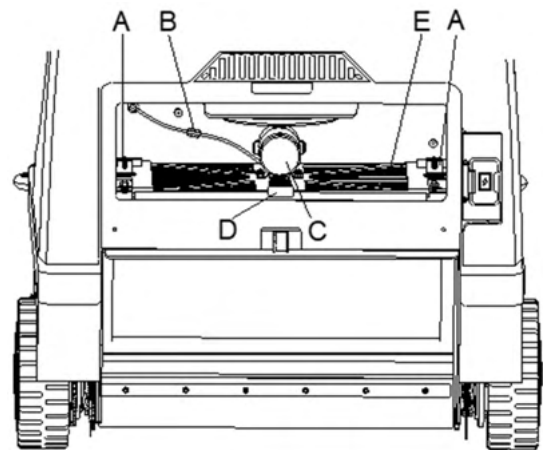


Figura 31

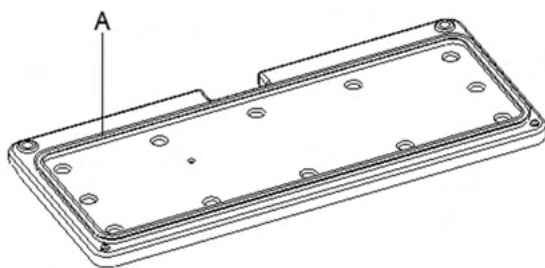


Figura 33

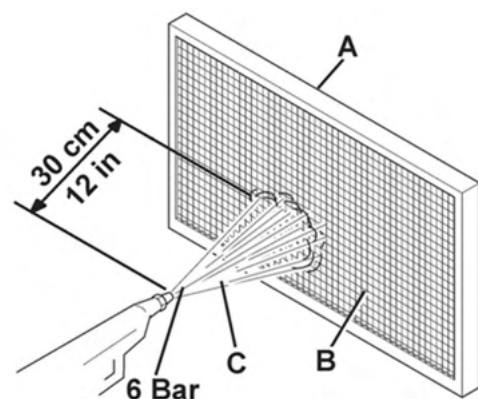


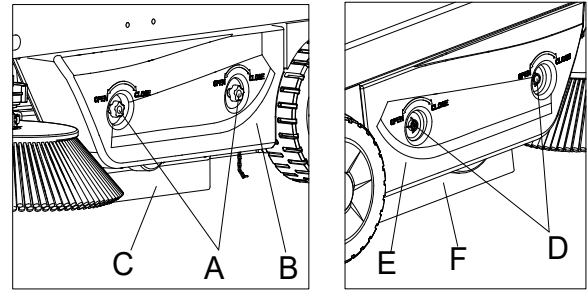
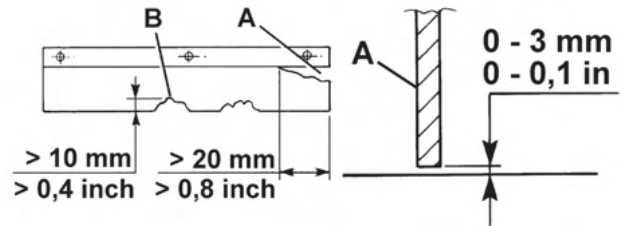
Figura 32

**CONTROL ALTURA Y FUNCIONAMIENTO DEL CAUCHO**

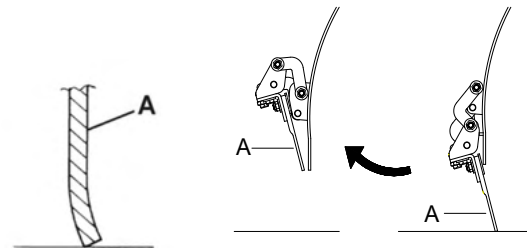
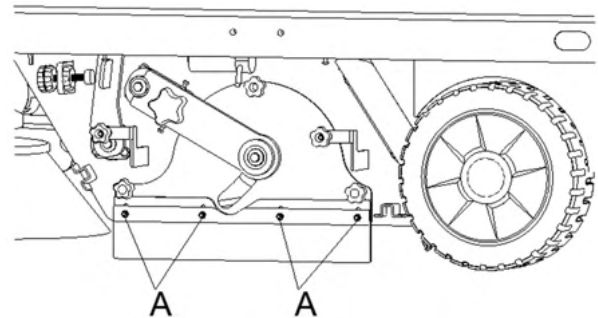
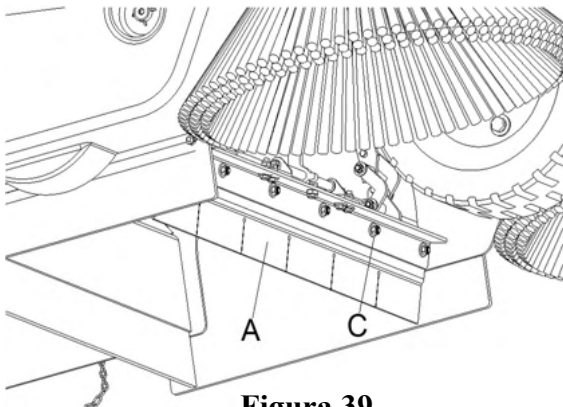
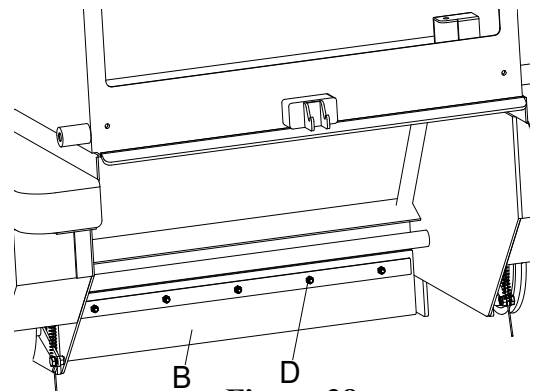
1. Lleve la máquina a una superficie nivelada.
2. Enganche el freno de estacionamiento.
3. Lleve la llave de encendido en la posición «O».

**Control caucho lateral**

4. Desenrosque las perillas (A y D, Figura 34) y quite las tapas izquierda (B, Figura 34) y derecha (E, Figura 34).
5. Controle la integridad de los cauchos laterales (C y F, Figura 34). Sustituya los cauchos cuando tengan cortes (A, Figura 35) mayores de 20 mm o grietas (B, Figura 35) mayores de 10 mm (para el reemplazo de los cauchos, véase el Manual de asistencia).
6. Controle que la altura de los cauchos laterales (C y F, Figura 34) esté entre de 0 y 3 mm (A, Figura 35). Si necesario, ajuste la altura del caucho ajustando las ranuras con los tornillos (A, Figura 37).
7. Monte los componentes en orden contrario al desmontaje.

**Figura 34****Figura 35****Control del caucho delantero y trasero**

8. Retire el cepillo principal como indicado en el párrafo correspondiente.
9. Controle la integridad de los cauchos delanteros (A, Figura 39) y traseros (B, Figura 38). Sustituya los cauchos cuando tengan cortes (A, Figura 35) mayores de 20 mm o grietas (B, Figura 35) mayores de 10 mm (para el reemplazo de los cauchos, véase el Manual de asistencia).
10. Controle que:
  - El caucho delantero (A, Figura 36) toca ligeramente el suelo.
  - La altura de el caucho trasero (B, Figura 38) está entre de 0 y 3 mm (A, Figura 35).
11. Si necesario, ajuste la altura del caucho ajustando las ranuras con los tornillos (C y D, Figuras 39 y 38).
12. Pise el pedal de la aleta y compruebe que el caucho delantero (A, Figura 36) esté levantado; luego desenganche el pedal y compruebe que el caucho no permanezca en una posición intermedia, sino que vuelva a su posición inicial. Si necesario, para el ajuste o la sustitución del cable de control del caucho delantero, véase el Manual de asistencia.
13. Monte los componentes en orden contrario al desmontaje.

**Figura 36****Figura 37****Figura 39****Figura 38**

## CONTROL Y AJUSTE DE LA CADENA DE LA RUEDA

1. Lleve la máquina a una superficie nivelada.
2. Enganche el freno de estacionamiento.
3. Lleve la llave de encendido en la posición «O».
4. Cuando la rueda delantera esté floja, ajuste el tornillo de ajuste de la cadena de la rueda (A, Figura 40) en la parte delantera de la máquina para asegurarse de que la cadena de la rueda esté bien apretada.
5. Cuando la rueda trasera esté floja, abra la tapa (C, Figura 41) y la tapa de la cadena de la rueda (A, Figura 41), ajuste el tornillo de ajuste de la cadena de la rueda (B, Figura 41) para asegurarse de que la cadena de la rueda esté bien apretada.

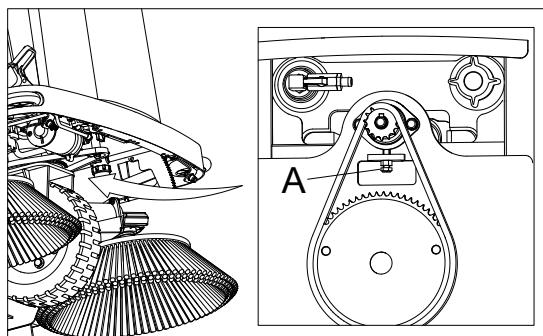


Figura 40

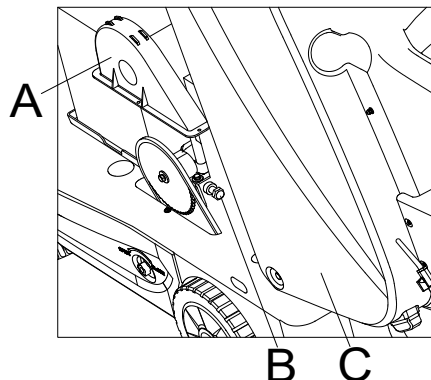


Figura 41

## RESOLUCIÓN DE PROBLEMAS

PROBLEMA	Posible causa	Remedio
La máquina no arranca al girar la llave de encendido en la posición «B».	El conector de baterías está desconectado.	Conecte el conector de batería.
	El fusible reseteable F6 está abierto.	Restablezca pulsando el interruptor relacionado.
	El cable del cargador externo está conectado a la máquina.	Desconecte el cable del cargador externo de la máquina.
La máquina no se mueve cuando se pulsa el pedal del acelerador.	El freno de estacionamiento está enganchado.	Desenganche el freno de estacionamiento.
	Al arrancar la máquina con la llave de encendido, se está pisando el pedal del acelerador o el operador aún no está en el asiento de conducción.	Ponga en marcha la máquina con la llave de encendido, solo después de estar en el asiento de conducción y sin presionar el pedal del acelerador.
	El interruptor del asiento no está activado por no estar sentado en la posición correcta.	Siéntese en la posición correcta en el asiento.
	El fusible F5 está fundido.	Sustituya el fusible.
El cepillo principal no funciona.	El fusible reseteable F7 está abierto.	Restablezca pulsando el interruptor relacionado.
	El botón de arranque no está pulsado.	Pulse el botón de arranque.
	El fusible F5 está fundido.	Sustituya el fusible.
Los cepillos laterales no funcionan.	El botón del cepillo lateral o el de arranque no está pulsado.	Pulse el botón del cepillo lateral o el botón de arranque.
	El fusible reseteable F8/F9 está abierto.	Restablezca pulsando el interruptor relacionado.
	El fusible F5 está fundido.	Sustituya el fusible.
La máquina aspira pequeños residuos/polvo.	El sistema de aspiración está apagado.	Active el sistema de aspiración.
	El fusible reseteable F11 está abierto.	Restablezca pulsando el interruptor relacionado.
	El filtro de polvos está obstruido.	Limpie el filtro de polvo con el sacudidor del filtro o retírelo para limpiarlo.
	El cajón de residuos está lleno.	Vacíe el cajón de residuos.
	Los cauchos no están correctamente ajustados o están desgastados.	Ajuste/sustituya los cauchos.
El sacudidor del filtro no funciona.	Los cepillos no están bien regulados.	Ajuste la altura del cepillo.
	El fusible reseteable F10 está abierto.	Restablezca pulsando el interruptor relacionado.
	El fusible F5 está fundido.	Sustituya el fusible.
La máquina sale de la modalidad de arranque con el botón de arranque y solo admite la modalidad desplazamiento.	Las baterías están descargadas.	Cargar las baterías. Si el problema persiste, sustituya las baterías.
El tiempo de funcionamiento de la batería es bajo.	Las baterías están agotadas.	Sustituya las baterías.
	La capacidad de la batería es baja.	Sustituya las baterías con mayor capacidad (véase el capítulo Datos técnicos).

Para más información, remítase al manual de servicio, disponible en cualquier Centro de asistencia Nilfisk.

**CÓDIGO DE ERROR DE LA PANTALLA app: detail**

Error 01	Battery VOL low	Tensión de la batería baja
Error 02	Tra overload	Sobrecarga del motor de tracción
Error 03	Main brush overload	Sobrecarga motor cepillo principal
Error 04	Side brush overload	Sobregarga motor cepillo lateral
Error 05	Filter clean M overload	Sobregarga motor sacudidor del filtro
Error 06	Pump overload	Sobrecarga de la bomba
Error 07	Charger COMM Error	Error de comunicación del cargador
Error 08	Charger connect Error	Error de conexión del cargador al controlador
Error 09	Charger Temp high	Temperatura del cargador alta
Error 10	Charging low VOL	Tensión de la carga de la batería baja
Error 11	Battery reversed	Los terminales positivo y negativo de las baterías están invertidos.
Error 12	Charging high VOL	Tensión de carga de la batería alta
Error 13	CC charging timeout	Tiempo de espera de carga en la fase de carga CC
Error 14	AC power low	La tensión de alimentación de CA para el cargador es baja en el modalidad de carga a bordo
Error 15	ENE Bat. Ch. Match Error	Error de coincidencia de carga de batería ENE
Error 16	Pedal switch SRO	Cuando el interruptor de llave está encendido, se presiona el pedal del acelerador.
Error 17	Electric Brake Failure	Fallo del freno eléctrico
Error 18	Spray Water Depleted	El agua de pulverización está agotada
Error 19	Side brush open circuit	El circuito del cepillo lateral está abierto
Error 20	Main brush open circuit	El circuito del cepillo principal está abierto
Error 21	Pump open circuit	El circuito de la bomba (dispositivo de pulverización de agua) está abierto
Error 22	Filter C motor open circuit	El circuito del motor de limpieza del filtro está abierto
Error 23	Tract motor over-temperature	El motor de tracción tiene un exceso de temperatura
Error 24	Tract Motor THERMO-SENSOR open	El circuito del motor de tracción THERMO-SENSOR está abierto

**DESGUACE**

Desguace la máquina mediante una institución de tratamiento de residuos calificada.

Antes del desguace de la máquina, retire y separe los siguientes materiales, que deben desecharse adecuadamente según la ley vigente.

- Baterías
- Filtro de polvos de poliéster
- Cepillos principales y laterales
- Componentes de plástico
- Componentes eléctricos y electrónicos (\*)

(\*) Contacte con el Centro de asistencia de la empresa para desechar cualquier componente electrónico y eléctrico.

**Composición de material de la máquina y reciclabilidad**

Tipo	% reciclable	Porcentaje de peso
Aluminio	100%	1%
Motores eléctricos - misc.	29%	20%
Materiales ferrosos	100%	55%
Cableado	80%	1%
Líquidos	100%	0%
Plástico - no reciclable	0%	1%
Plástico - reciclable	100%	20%
Caucho	20%	2%





**Company information:**  
[www.vipercleaning.eu](http://www.vipercleaning.eu) [www.nilfisk.us](http://www.nilfisk.us)  
[info-eu@vipercleaning.com](mailto:info-eu@vipercleaning.com)

