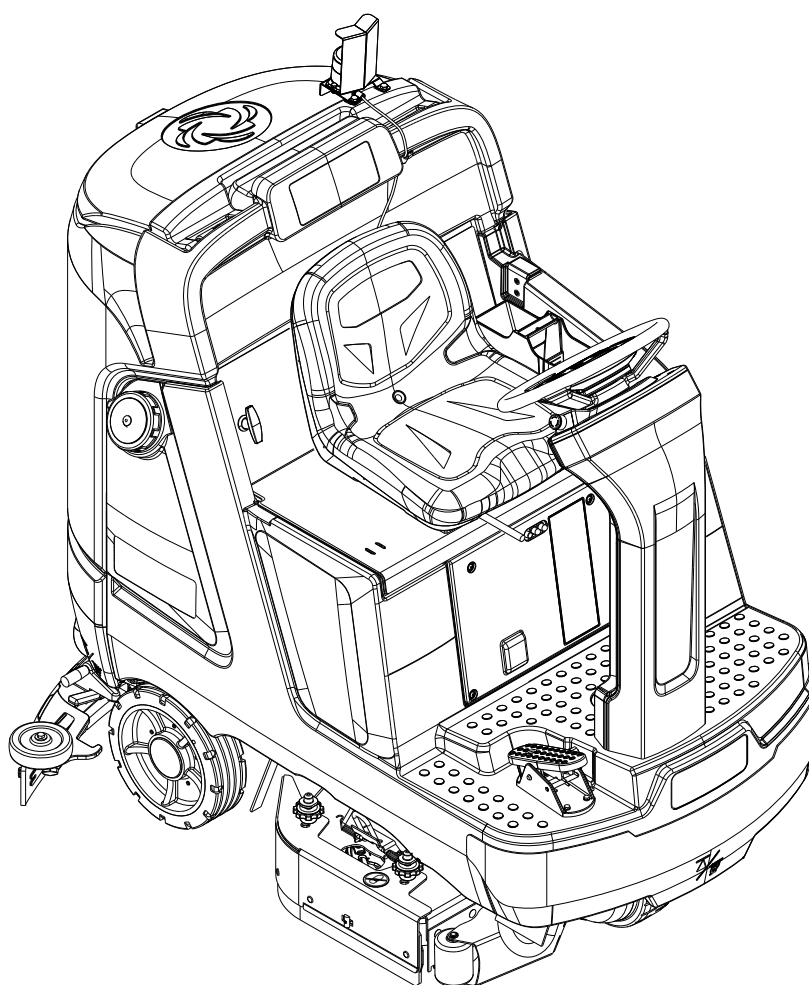


SC5000

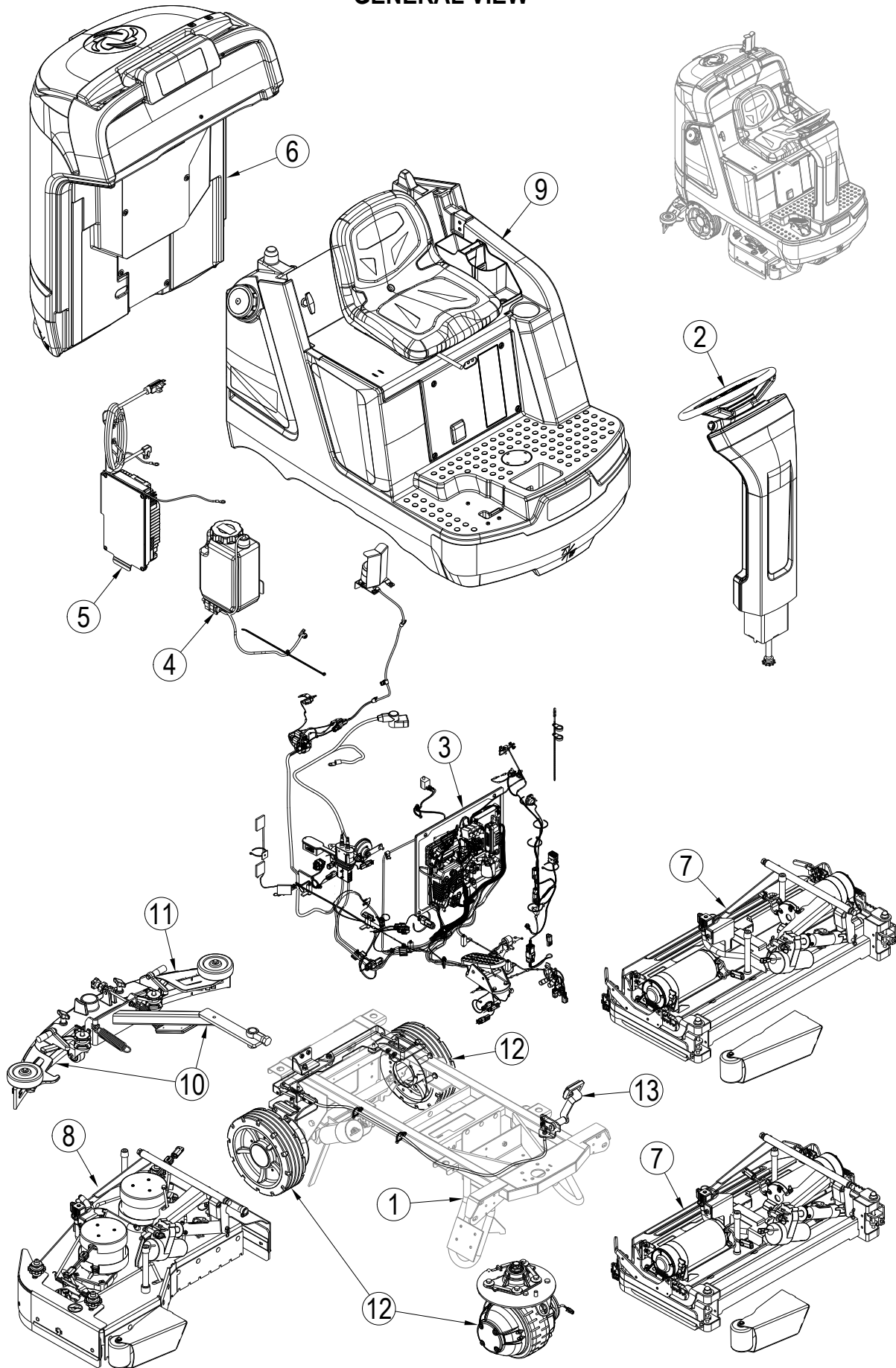
Parts List

11/2020 REV A
Form no. 56042679



Models:
56117001 (SC5000 34D)
56117003 (SC5000 32C)
56117004 (SC5000 36C)

GENERAL VIEW



GENERAL VIEW

Kit	Item	Ref. No.	Qty	Description
	1		1	Chassis System
	2		1	Control System
	3		1	Electrical System
	4		1	Ecoflex™ Assembly
	5		1	Onboard-Charger-Assembly
	6		1	Recovery System
	7		1	Scrub System-Cylindrical
	8		1	Scrub System-Disc
	9		1	Solution System
	10		1	Squeegee System
	11		1	Squeegee Assy
	12		1	Wheel System
	13		1	Rear Brake System

TABLE OF CONTENTS

DESCRIPTION	PAGE
Chassis System	4-5
Steering Control System	6-7
Decal System	8-9
Electrical Systems	10-23
Ecoflex™ Assembly	24-25
Onboard-Charger-Assembly	26-27
Recovery System	28-29
Scrub System-Cylindrical-Deck Assembly-32C	30-31
Scrub System-Cylindrical-Deck Assemblies-32C	32-33
Scrub System-Cylindrical-Deck Assembly-36C	34-35
Scrub System-Cylindrical-Deck Assemblies-36C	36-37
Scrub System-Cylindrical-Side Blade Assemblies	38-39
Scrub System-Disc-Deck Assembly-34D	40-41
Scrub System-Disc-Side Skirt Assemblies	42-43
Solution System	44-45
Squeegee System	46-47
Squeegee System-Squeegee Assy J	48-49
Wheel System	50-51
Rear Brake System	52-53
Ladder Diagrams	54-67
Options & Accessories	68-69
Recommended Spare Parts	70-71
Brush Selector Guide-Disc	72
Brush Selector Guide-Cylindrical	73
Squeegee Blade Selector Guide	74

WHEN ORDERING PARTS

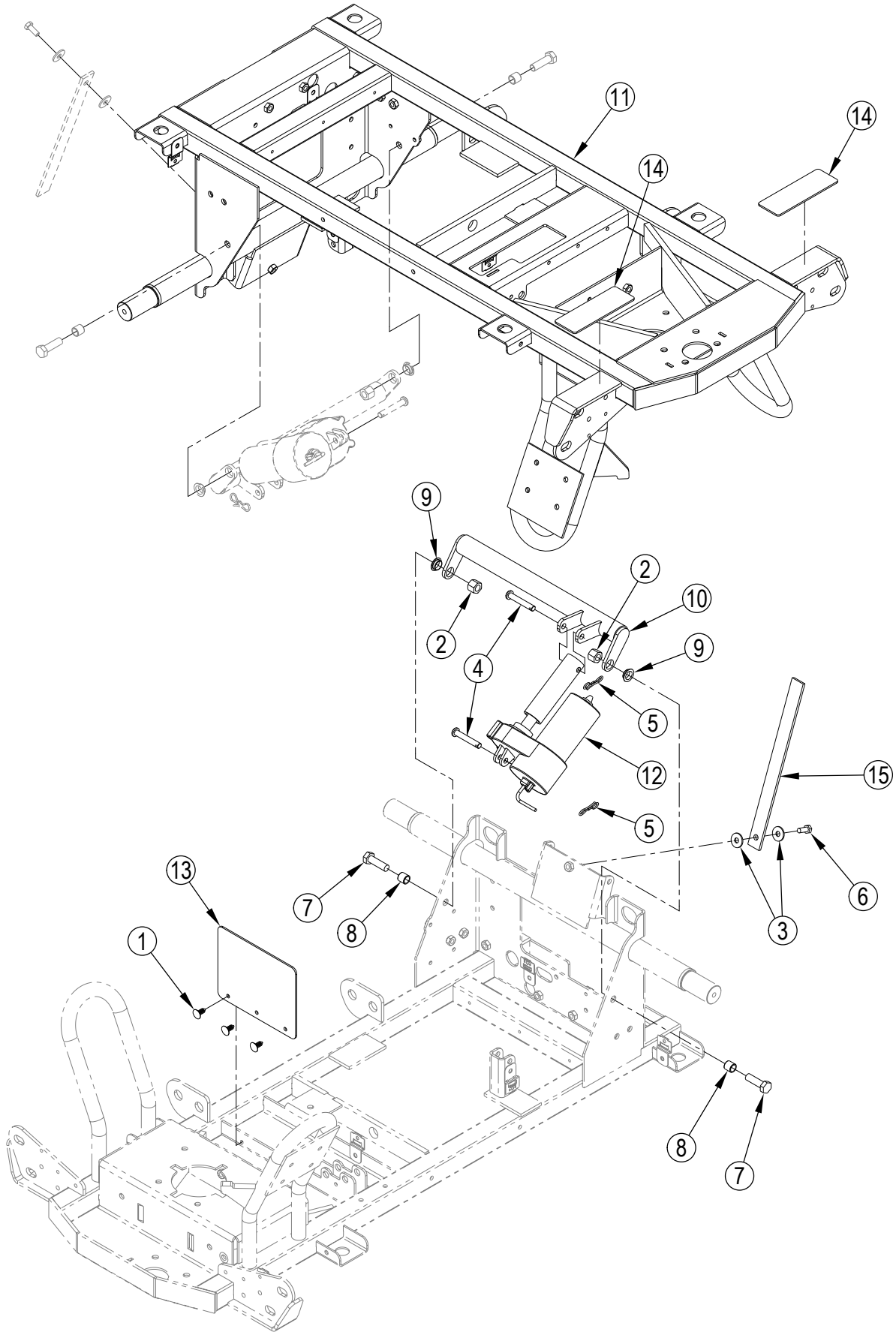
- * Use the part numbers from the "Ref. No." columns in this parts list. If the "Ref. No." column is blank; look under the "Kit" column to identify which kit contains the part in question, then use the kit callout, for example "K1", to find the "Ref. No." for that kit.

Kit	Item	Ref. No.	Qty	Description
K1	1		16	Washer Flat 3/16 Zinc Plat
K1	2		2	Screw-BHS-Brass-10-32x3/8-MS
K1	3		3	Washer EPDM 7/32 X 1/8
	4	805	1	Chain-Cover
	5	905	2	Caster Swivel 4 Gray Non MA
K1	6		2	Nut, Hex Nyl Loc 10-24
K1	7		3	Scr- Hex SS 1/4-20 X .75
K1	8		16	Scr, Hex Hd Loc 1/4-20 x .50
K1	9		3	Wsh, Flt SS .260 X 1.000 X .074
	10	56113012	1	Solution Tank
	11	56113034	2	Hinge Plate
K1		56113103	1	Kit-Hardware Solution Tank

- * Specify the model number and serial number of the machine.
- * Use the space below to record the model number and serial number for future reference.

Model No. _____ Serial No. _____

CHASSIS SYSTEM



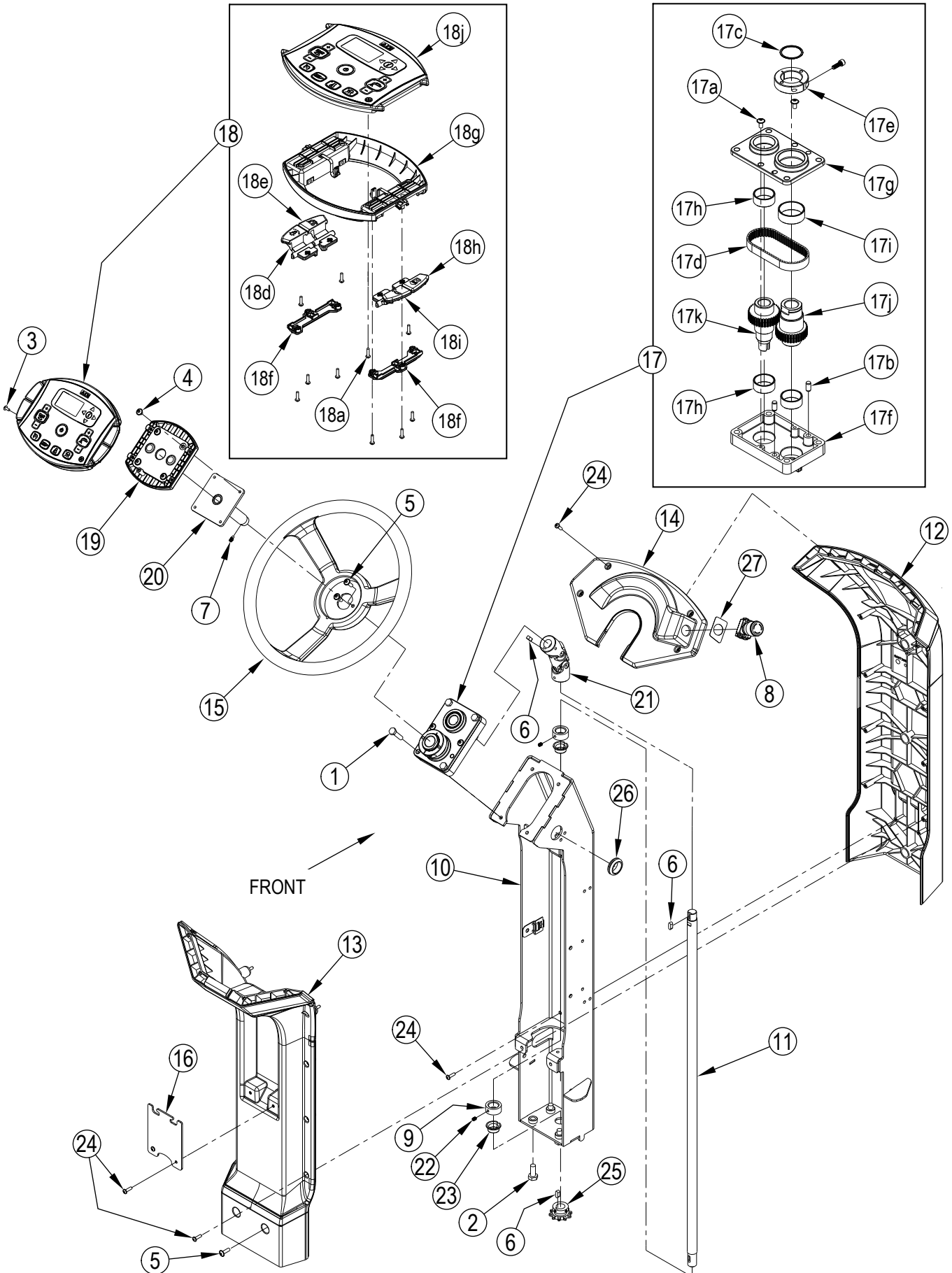
CHASSIS SYSTEM

Kit	Item	Ref. No.	Qty	Description
K4	1		3	Rivet, Nylon Tree Push-In (.25)
K2	2		2	Nut, Hex Nyl Loc Ss M12-1.75
K3	3		2	Wsh, Flt Ss 8mm
K1	4		2	Clevis Pin
K1	5		2	Pin-Bow-Tie Cot 7/16-1/2x.091
K3	6		1	Scr Hex M8x20 Ss W/Thd Lck
K2	7		2	Scr Hex M12x40 Ss W/Thd Lck
K2	8		2	Bushing-12.5x16x14.48mm
K2	9		2	Bearing-Flange-16x18x6mm
K2	10		1	Squeegee Lift Arm Weldment
	11	56117240-SP	1	Chassis Weldment
K1	12		1	Actuator-Squeegee (M6)
K4	13		1	Shield-Actuator-Deck
	14	56120450	2	Pad-Rubber-Chassis
K3	15		1	Strap,Static, 12.5"

Service Kits

K1	56117889	1	Squeegee Actuator Kit
K2	56117890	1	Squeegee Arm Kit
K3	56117891	1	Static Strap Kit
K4	56117833	1	Actuator Shield Kit

STEERING CONTROL SYSTEM



STEERING CONTROL SYSTEM

Kit	Item	Ref. No.	Qty	Description
	1	56004088	4	Scr Hex M8x35 Ss W/Thd Lck
	2	56004091	4	Scr Hex M10x25 Ss W/Thd Lck
K1	3		4	Scr Trx M4x10 Bk Zc W/Thd Lck
	4	56004099	4	Scr Trx M6x8 Bk Zc W/Thd Lck
	5	56004101	6	Scr Trx M6x20 W/Thd Lck Blk
K3,K4	6		3	Key-Sq 6x6x16-Din 6885a
K6				
K2	7		1	Scr-Soc Set-Dog M6-1x12 Din915
	8	56104247	1	Emergency Disconnect (S21)
K5	9		2	Collar-Shaft-20x32x14mm
	10	56117080-SP	1	Steering Column Weldment
K4	11		1	Shaft-Steering-Lower
	12	56120470-SP	1	Shroud-Steering-Pim-Front
	13	56117386-SP	1	Shroud-Steering-Pim-Back
	14	56117387-SP	1	Shroud-Steering-Pim-Top
	15	56117436-SP	1	Wheel-Steering
	16	56117438-SP	1	Plate-Cover-Shroud
	17	56117705-SP	1	Offset Steering Assy
	17a		2	Scr Trx M6x12 W/Thd Lck Blk
	17b		2	Pin-Dowel-Iso2338-A1-H8-8x16
	17c		1	Ring-Ret-Spiral-Ext-35mm
	17d		1	Belt-Sync-5mm Pitch-300long
	17e		1	Collar-Shaft-M35-Steering
	17f		1	Base-Offset Steering
	17g		1	Cover-Offset Steering
	17h		3	Bearing-Sleeve-32x36x15
	17i		1	Bearing-Sleeve-40x44x16
	17j		1	Sprocket-Steering Wheel
	17k		1	Sprocket-U-Joint

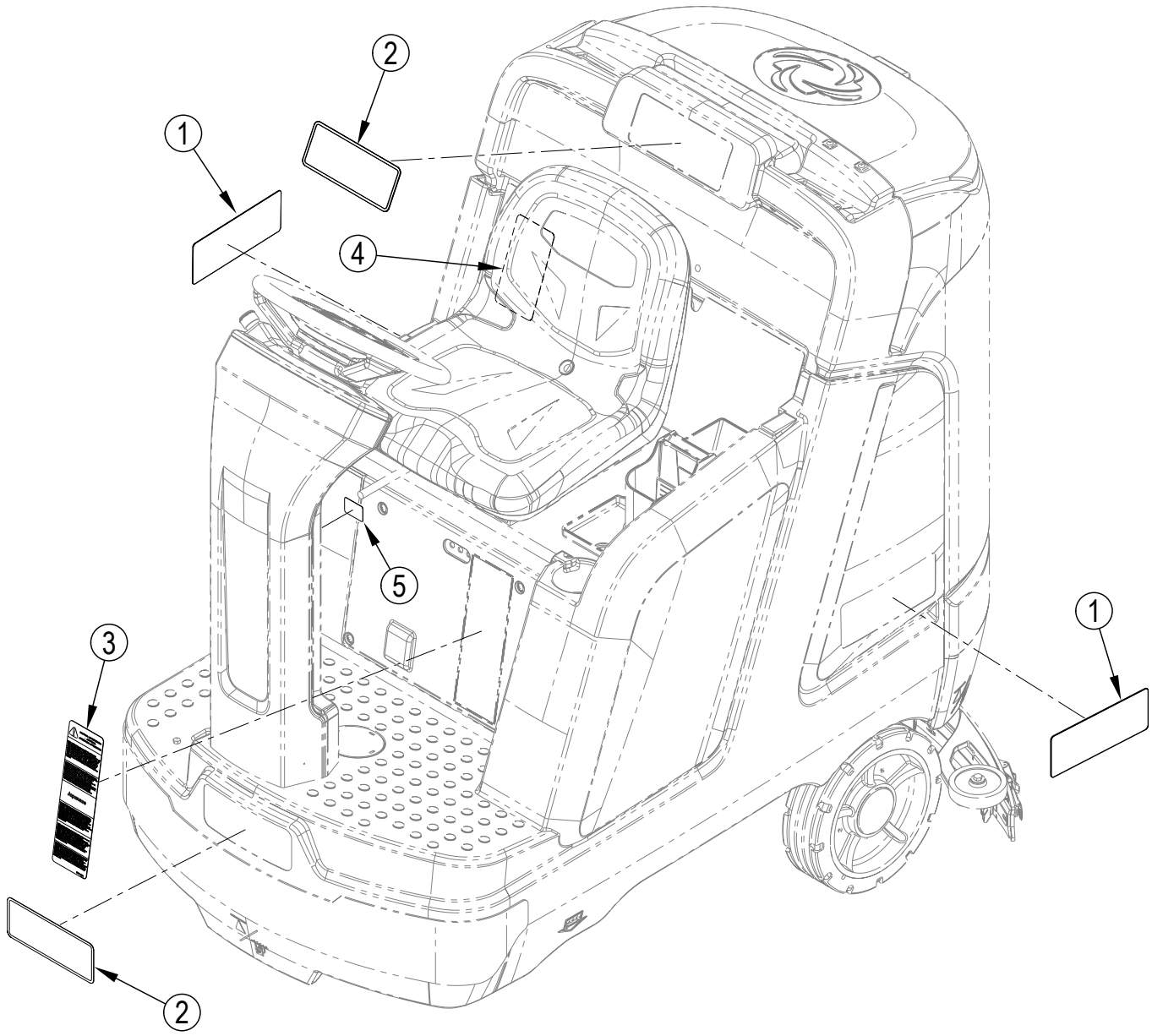
Kit	Item	Ref. No.	Qty	Description
K1	18	56117715	1	Interface Assembly (A9)
K1	18a		10	Scr M3.5x14 Trx Plastite
K1	[18b]		1	Bootloader-Interface
K1	[18c]		1	Firmware-Interface
K1	18d		1	Paddle-Boost Of Power
K1	18e		1	Paddle-Solution
K1	18f		2	Retainer-Paddle-Interface
K1	18g		1	Housing Assembly-Padl Membrane
K1	18h		1	Paddle-Reverse
K1	18i		1	Paddle-Horn
K1	18j		1	Display Assembly-Oled
	19	56117716-SP	1	Base-Interface
K2	20		1	Mounting Weldment-Interface
K3	21		1	Ujoint-Double-18mm
K5	22		2	Scr-Soc-Set Cup M6x8 Iso4029
	23	56118192	2	Bearing-Flange-20x23x12-Bronze
	24	302003704	18	Screw Ejot Delta Pt50x18wn1451
K6	25		1	Sprocket-10 Tooth-18mm
	26	56117681-SP	1	Grommet-1.25dogx.19woqx.88id
	27	56117849-SP	1	Decal-Emergency Stop

[] = Not Shown

Service Kits

K1	56117185	1	Interface Kit
K2	56117924	1	Interface Mount Kit
K3	56117923	1	Universal Joint Kit
K4	56117920	1	Lower Steering Shaft Kit
K5	56117922	1	Shaft Collar Kit
K6	56117921	1	Sprocket Kit

DECAL SYSTEM

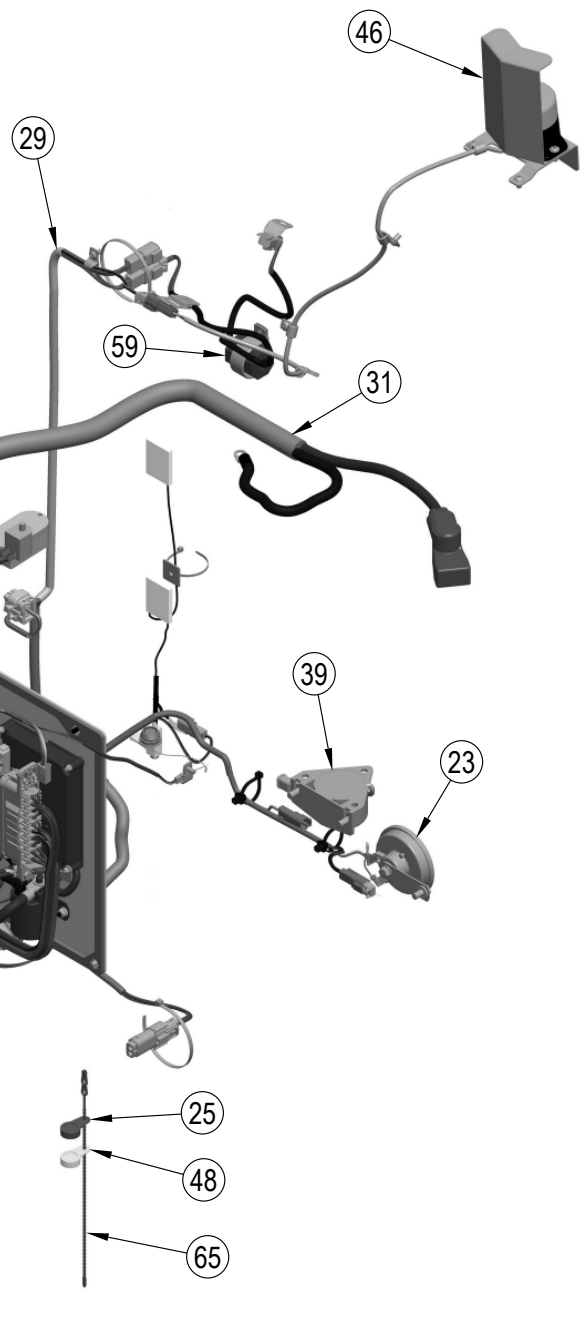
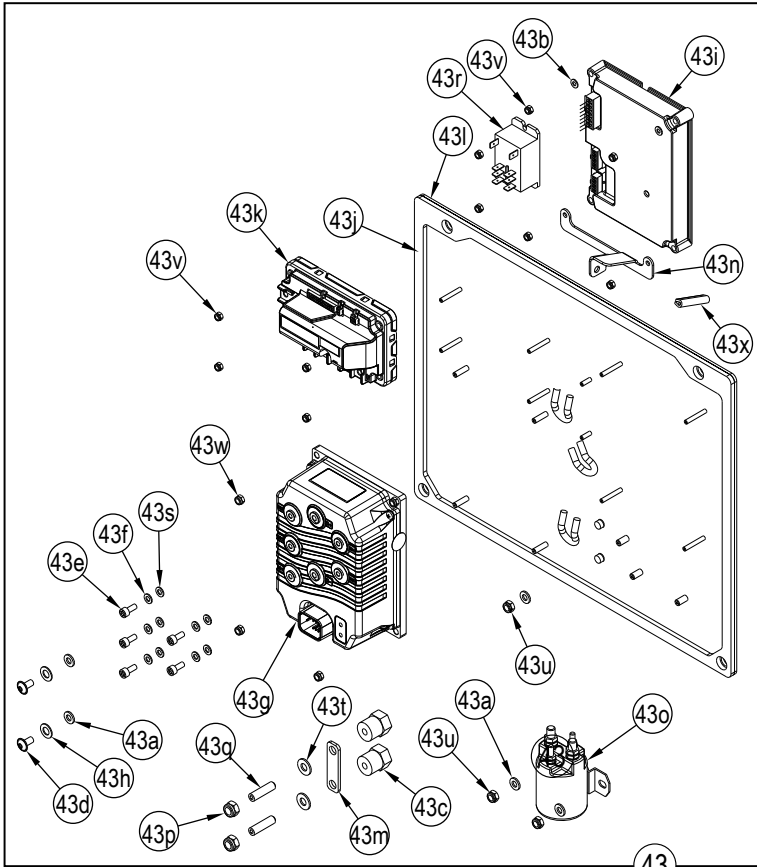


DECAL SYSTEM

<u>Kit</u>	<u>Item</u>	<u>Ref. No.</u>	<u>Qty</u>	<u>Description</u>
	1	56117479	2	Decal-Advance SC5000
	2	1463057000	2	Decal Advance Rectangular 210x83
	3	56014601	1	Decal-Caution
	4	56117846-SP	1	Decal-Battery
	5	56394259	1	Decal, Prop 65

[] = Not Shown

ELECTRICAL SYSTEM-1



MACHINE HARNESES

ELECTRICAL SYSTEM-1

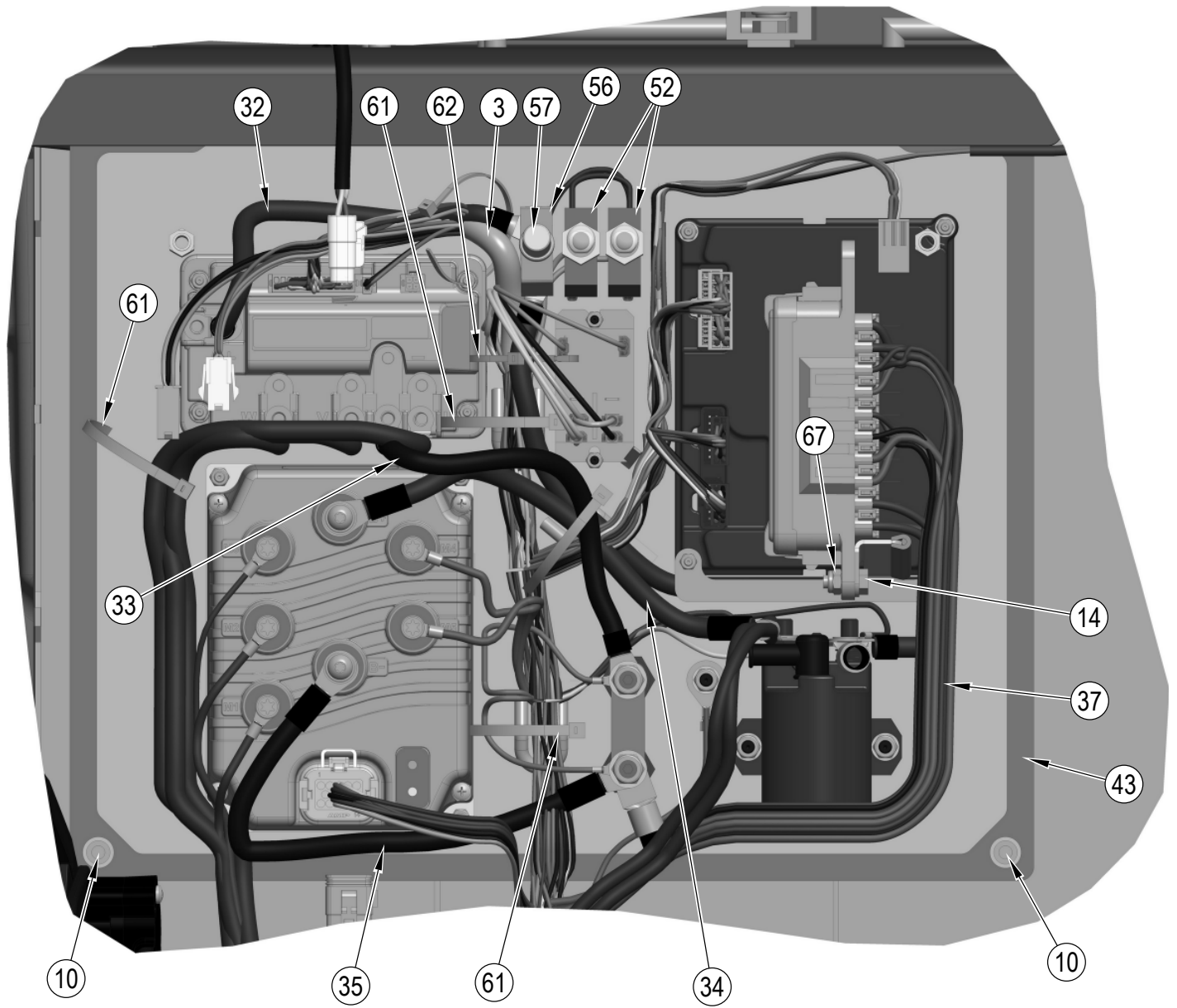
Kit	Item	Ref. No.	Qty	Description	Kit	Item	Ref. No.	Qty	Description
	1	1312	1	Mounting Pad		43	56117551	1	Electrical Panel Assembly
K3	2		4	Washer Plain M6x12.5x1.6 Ss Iso7093		43a	33005875	5	Washer Plain M6x12.5x1.6 Ss Iso7093
	3	33009876	1	Spiral Sleeve Ø21x25		43b	33005911	2	Washer Plain M4x9 Iso7089
	4	33016951	2	Screw Thread Rolling M6x12		43c	33017365	2	Isolator Spacer M8
	5	56001816	2	Scr M3.5x14 Trx Plastite		43d	56004100	2	Scr Trx M6x12 W/Thd Lck Blk
	6	56002561	1	Nut, Hex W/ Shprf		43e	56004130	5	Scr Trx M5x12 Skt Ss W/Thd Lck
K2	7		1	Scr Hex M6x12 Ss W/Thd Lck		43f	56009255	5	Wsh Int Shprf 5mm
	8	56004084	4	Scr Hex M6x20 Ss W/Thd Lck		43g	56116087	1	Module-High Power (A2)
	9	56004087	1	Scr Hex M8x20 Ss W/Thd Lck		43h	56116828	2	Washer Int Lock M6 Din6798j Ss
	10	56004100	9	Scr Trx M6x12 W/Thd Lck Blk	K1	43i		1	Pcb Box Assembly-Main (A1)
	11	56004124	2	Scr Hex M6x30 Ss W/Thd Lck		43j	56117413-SP	1	Gasket-Electrical Panel
	12	56004127	2	Scr Trx M5x16 W/Thd Lck Blk		43k	56117418-SP	1	Controller-Drive (A4)
	13	56004128	2	Scr Hex M8x16 Ss W/Thd Lck		43l	56117448-SP	1	Panel Assembly-Electrical
K2	14		1	Scr Hex M6x16 Ss W/Thd Lck		43m	56117669-SP	1	Plate-Bus Bar
	15	56004148	1	Wshr-28.6odx22.2idx1.5 Blk Nyl		43n	56117831	1	Bracket-Fuse Holder
	16	56004152	5	Scr Hex M6x45 Ss W/Thd Lck	K3	43o		1	Contactor-36v (K2)
	17	56004157	2	Scr Trx M6x16 W/Thd Lck Blk		43p	1450452000	2	Nut Lock Hex M8 Low Ss Iso10511
	18	56004158	2	Scr Trx M6x30 Skt Ss W/Thd Lck		43q	9096600000	2	Screw Grub M8x30 Cup Point Ss Iso4029
	19	56004160	2	Scr Trx M8x16 W/Thd Lck Blk		43r	40892a	1	Relay Dpdt 36vdc (K1)
	20	56111972	1	Clip-Connector		43s	L08241500	5	Washer Plain M5x10 Ss Iso7089
	21	56115432	1	Fuse-150 Amp (F1)		43t	L08603207	2	Washer Plain M8x16 Ss Iso7089
	22	56115433	1	Holder-Fuse		43u	L08603682	3	Nut Lock Hex M6 Low Ss Iso10511
	23	56116375	1	Horn-36v (H7)		43v	L08603685	10	Nut Lock Hex M4 Low Ss Iso10511
	24	56116477	1	Ibutton-Probe (A17)		43w	L08603688	2	Nut Lock Hex M5 Low Ss Iso10511
	25	56116518	1	Smart Key-User		43x	L08812661	1	Gasket Rubber-Skein
K2	26		1	Bracket-Beacon		44	56117557-SP	1	Pedal-Uni Direction-Hall (R3)
	27	56116601	1	Usb-2.0-Type A-Panel Mount		45	56117796-SP	1	Bracket-Traction Harness
	28	56116611	4	Cable Tie Mount	K2	46	56117845-SP	1	Beacon-Warning Led (LP8)
	29	56117202-SP	1	Main Harness		47	56117964-SP	1	Bushing-Flange-20x21x3.5mm
	30	56117400-SP	1	Harness-Machine Power		48	56118163	1	Smart Key-Yellow
	31	56117401-SP	1	Harness-Battery Power		49	56123173	1	Clip-Connector
	32	56117404-SP	1	Cable-Power-6 Ga		50	56314155	2	Clamp, Cable
	33	56117405-SP	1	Cable-Return-6 Ga		51	56314608	5	Clamp, Cable
	34	56117406-SP	1	Cable-Power-6 Ga		52	56315255	2	Circuit Breaker, 5 Amp (CB1, CB3)
	35	56117407-SP	1	Cable-Return-6 Ga	K2	53		11	Clamp, Hose Support
	36	56117408-SP	1	Harness-Recovery Tank		54	56394585	1	Clamp-P-1.57 Dia.
	37	56117409-SP	1	Cable-Power-6 Ga		55	56410223	1	Clamp, P
	38	56117411-SP	1	Harness-Traction		56	56454429	1	Circuit Breaker, 70 Amp (CB2)
	39	56117416-SP	1	Alarm-Back-Up-11-100v (H8)		57	56459369	1	Boot, Reset Button
	40	56117417-SP	1	Harness-Column		58	56496276	1	Clamp, Hose Support
	41	56117427-SP	1	Sensor-Level-Capacitive		59	56601686	1	Ferrite Bead
K2	42		1	Bracket-Hazard Light		60	302003704	2	Screw Ejot Delta Pt50x18wn1451
						61	1450524000	8	Tie Cable 4.8x200 Black
						62	1451241000	12	Tie Cable 2.9x130 Black
					K2	63		2	Nut Hex M5 Ss
						64	7-82-00050	1	Switch Seat
						65	L08066000	1	Tie Cable Quick Fastening L.320
						66	L08603207	2	Washer Plain M8x16 Ss Iso7089
					K3	67		1	Nut Lock Hex M6 Low Ss Iso10511

Service Kits

K1	56117465	1	Controller Kit
K2	56117834	1	Hazard Light Bracket Kit
K3	56117835	1	36v Contactor Kit
[]	56124003	1	Fuse Kit

[] = Not Shown

ELECTRICAL SYSTEM-2



ELECTRICAL SYSTEM-2

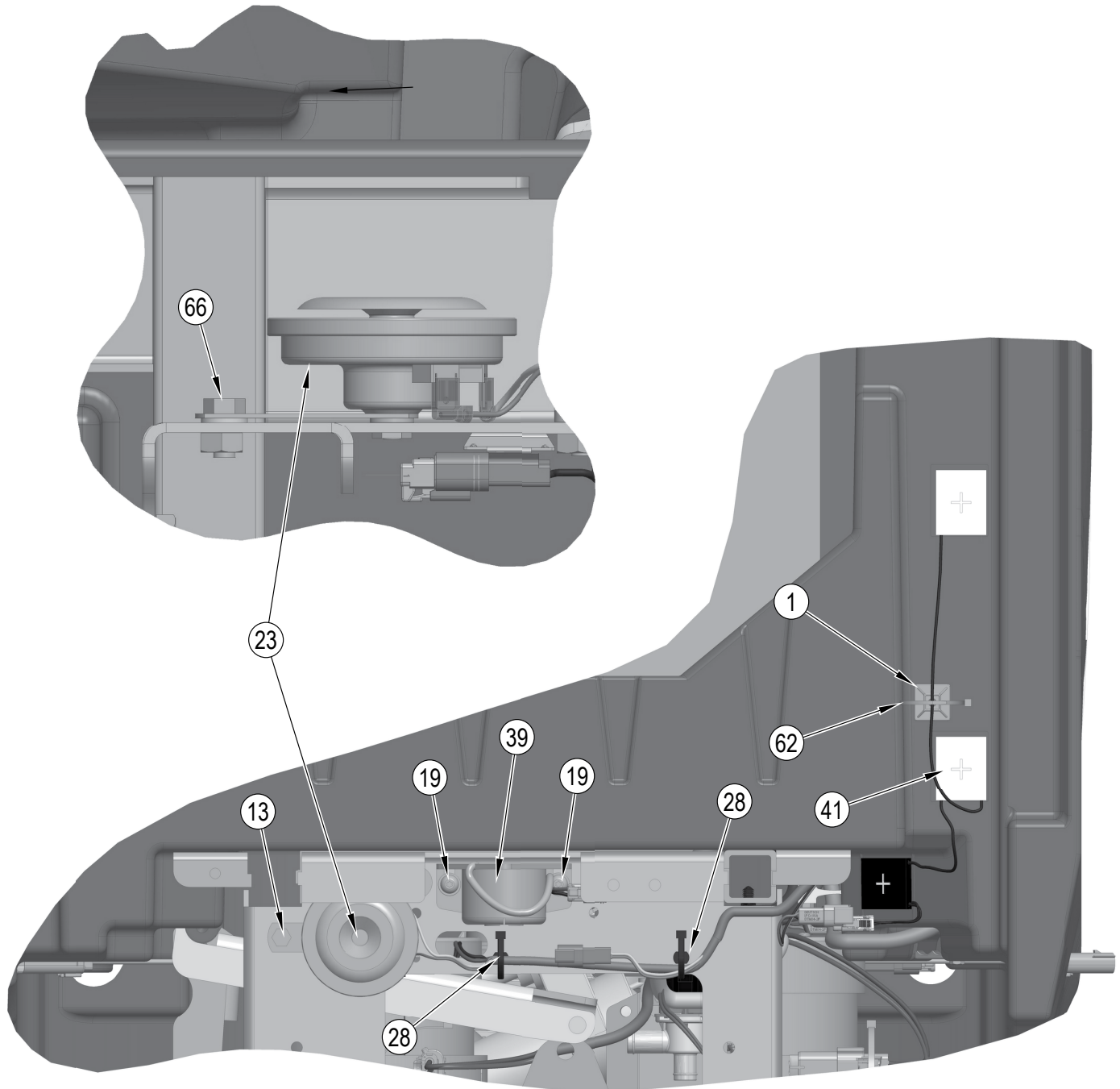
Kit	Item	Ref. No.	Qty	Description	Kit	Item	Ref. No.	Qty	Description
	1	1312	1	Mounting Pad		43	56117551	1	Electrical Panel Assembly
K3	2		4	Washer Plain M6x12.5x1.6 Ss Iso7093		43a	33005875	5	Washer Plain M6x12.5x1.6 Ss Iso7093
	3	33009876	1	Spiral Sleeve Ø21x25		43b	33005911	2	Washer Plain M4x9 Iso7089
	4	33016951	2	Screw Thread Rolling M6x12		43c	33017365	2	Isolator Spacer M8
	5	56001816	2	Scr M3.5x14 Trx Plastite		43d	56004100	2	Scr Trx M6x12 W/Thd Lck Blk
	6	56002561	1	Nut, Hex W/ Shprf		43e	56004130	5	Scr Trx M5x12 Skt Ss W/Thd Lck
K2	7		1	Scr Hex M6x12 Ss W/Thd Lck		43f	56009255	5	Wsh Int Shprf 5mm
	8	56004084	4	Scr Hex M6x20 Ss W/Thd Lck		43g	56116087	1	Module-High Power (A2)
	9	56004087	1	Scr Hex M8x20 Ss W/Thd Lck		43h	56116828	2	Washer Int Lock M6 Din6798j Ss
	10	56004100	9	Scr Trx M6x12 W/Thd Lck Blk	K1	43i		1	Pcb Box Assembly-Main (A1)
	11	56004124	2	Scr Hex M6x30 Ss W/Thd Lck		43j	56117413-SP	1	Gasket-Electrical Panel
	12	56004127	2	Scr Trx M5x16 W/Thd Lck Blk		43k	56117418-SP	1	Controller-Drive (A4)
	13	56004128	2	Scr Hex M8x16 Ss W/Thd Lck		43l	56117448-SP	1	Panel Assembly-Electrical
K2	14		1	Scr Hex M6x16 Ss W/Thd Lck		43m	56117669-SP	1	Plate-Bus Bar
	15	56004148	1	Wshr-28.6odx22.2idx1.5 Blk Nyl		43n	56117831	1	Bracket-Fuse Holder
	16	56004152	5	Scr Hex M6x45 Ss W/Thd Lck	K3	43o		1	Contacto-36v (K2)
	17	56004157	2	Scr Trx M6x16 W/Thd Lck Blk		43p	1450452000	2	Nut Lock Hex M8 Low Ss Iso10511
	18	56004158	2	Scr Trx M6x30 Skt Ss W/Thd Lck		43q	9096600000	2	Screw Grub M8x30 Cup Point Ss Iso4029
	19	56004160	2	Scr Trx M8x16 W/Thd Lck Blk		43r	40892a	1	Relay Dpdt 36vdc (K1)
	20	56111972	1	Clip-Connector		43s	L08241500	5	Washer Plain M5x10 Ss Iso7089
	21	56115432	1	Fuse-150 Amp (F1)		43t	L08603207	2	Washer Plain M8x16 Ss Iso7089
	22	56115433	1	Holder-Fuse		43u	L08603682	3	Nut Lock Hex M6 Low Ss Iso10511
	23	56116375	1	Horn-36v (H7)		43v	L08603685	10	Nut Lock Hex M4 Low Ss Iso10511
	24	56116477	1	Ibutton-Probe (A17)		43w	L08603688	2	Nut Lock Hex M5 Low Ss Iso10511
	25	56116518	1	Smart Key-User		43x	L08812661	1	Gasket Rubber-Skein
K2	26		1	Bracket-Beacon		44	56117557-SP	1	Pedal-Uni Direction-Hall (R3)
	27	56116601	1	Usb-2.0-Type A-Panel Mount		45	56117796-SP	1	Bracket-Traction Harness
	28	56116611	4	Cable Tie Mount	K2	46	56117845-SP	1	Beacon-Warning Led (LP8)
	29	56117202-SP	1	Main Harness		47	56117964-SP	1	Bushing-Flange-20x21x3.5mm
	30	56117400-SP	1	Harness-Machine Power		48	56118163	1	Smart Key-Yellow
	31	56117401-SP	1	Harness-Battery Power		49	56123173	1	Clip-Connector
	32	56117404-SP	1	Cable-Power-6 Ga		50	56314155	2	Clamp, Cable
	33	56117405-SP	1	Cable-Return-6 Ga		51	56314608	5	Clamp, Cable
	34	56117406-SP	1	Cable-Power-6 Ga		52	56315255	2	Circuit Breaker, 5 Amp (CB1, CB3)
	35	56117407-SP	1	Cable-Return-6 Ga	K2	53		11	Clamp, Hose Support
	36	56117408-SP	1	Harness-Recovery Tank		54	56394585	1	Clamp-P-1.57 Dia.
	37	56117409-SP	1	Cable-Power-6 Ga		55	56410223	1	Clamp, P
	38	56117411-SP	1	Harness-Traction		56	56454429	1	Circuit Breaker, 70 Amp (CB2)
	39	56117416-SP	1	Alarm-Back-Up-11-100v (H8)		57	56459369	1	Boot, Reset Button
	40	56117417-SP	1	Harness-Column		58	56496276	1	Clamp, Hose Support
	41	56117427-SP	1	Sensor-Level-Capacitive		59	56601686	1	Ferrite Bead
K2	42		1	Bracket-Hazard Light		60	302003704	2	Screw Ejoy Delta Pt50x18wn1451
						61	1450524000	8	Tie Cable 4.8x200 Black
						62	1451241000	12	Tie Cable 2.9x130 Black
					K2	63		2	Nut Hex M5 Ss
						64	7-82-00050	1	Switch Seat
						65	L08066000	1	Tie Cable Quick Fastening L.320
						66	L08603207	2	Washer Plain M8x16 Ss Iso7089
					K3	67		1	Nut Lock Hex M6 Low Ss Iso10511

Service Kits

K1	56117465	1	Controller Kit
K2	56117834	1	Hazard Light Bracket Kit
K3	56117835	1	36v Contactor Kit
[]	56124003	1	Fuse Kit

[] = Not Shown

ELECTRICAL SYSTEM-3



ELECTRICAL SYSTEM-3

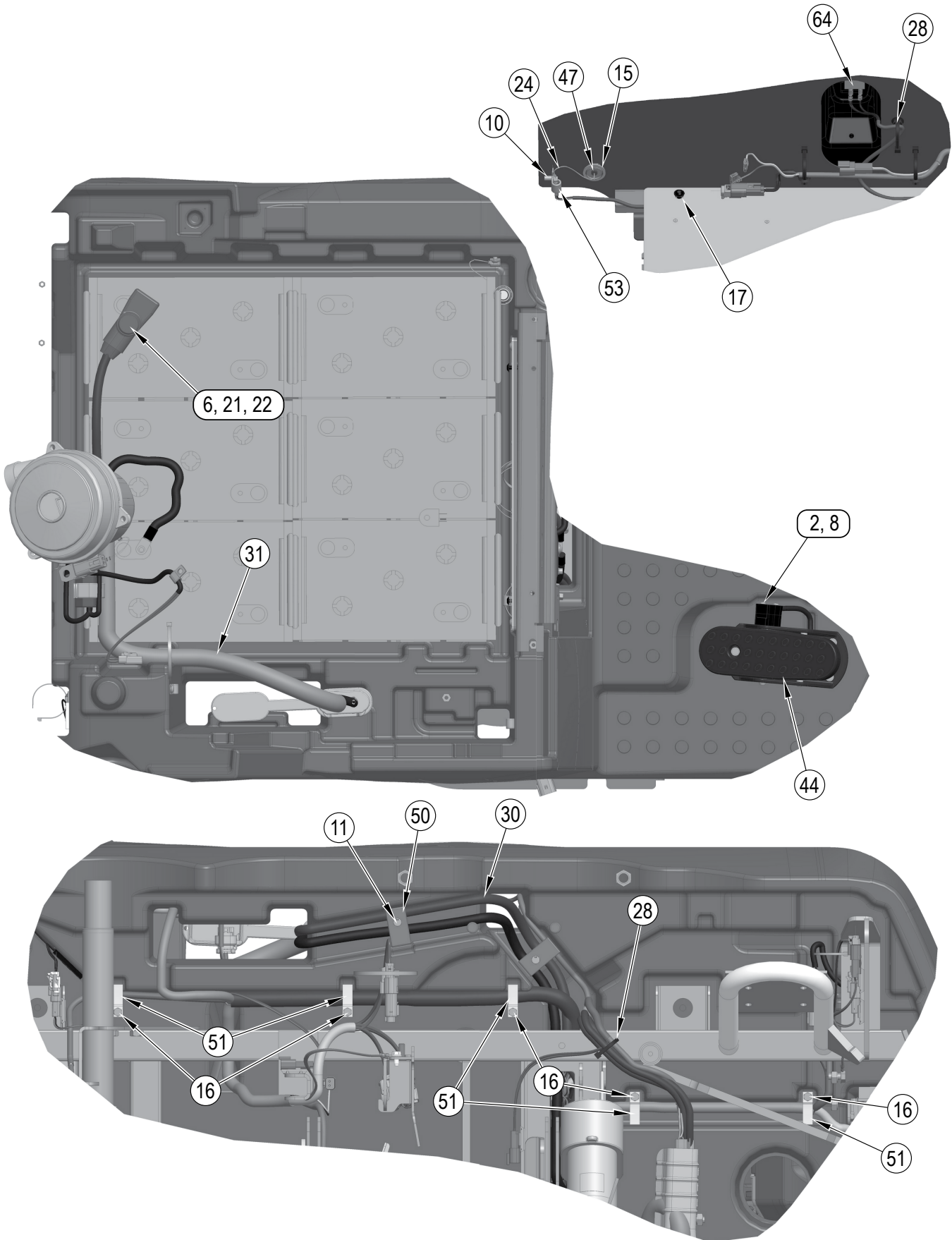
Kit	Item	Ref. No.	Qty	Description	Kit	Item	Ref. No.	Qty	Description
	1	1312	1	Mounting Pad		43	56117551	1	Electrical Panel Assembly
K3	2		4	Washer Plain M6x12.5x1.6 Ss Iso7093		43a	33005875	5	Washer Plain M6x12.5x1.6 Ss Iso7093
	3	33009876	1	Spiral Sleeve Ø21x25		43b	33005911	2	Washer Plain M4x9 Iso7089
	4	33016951	2	Screw Thread Rolling M6x12		43c	33017365	2	Isolator Spacer M8
	5	56001816	2	Scr M3.5x14 Trx Plastite		43d	56004100	2	Scr Trx M6x12 W/Thd Lck Blk
	6	56002561	1	Nut, Hex W/ Shprf		43e	56004130	5	Scr Trx M5x12 Skt Ss W/Thd Lck
K2	7		1	Scr Hex M6x12 Ss W/Thd Lck		43f	56009255	5	Wsh Int Shprf 5mm
	8	56004084	4	Scr Hex M6x20 Ss W/Thd Lck		43g	56116087	1	Module-High Power (A2)
	9	56004087	1	Scr Hex M8x20 Ss W/Thd Lck		43h	56116828	2	Washer Int Lock M6 Din6798j Ss
	10	56004100	9	Scr Trx M6x12 W/Thd Lck Blk	K1	43i		1	Pcb Box Assembly-Main (A1)
	11	56004124	2	Scr Hex M6x30 Ss W/Thd Lck		43j	56117413-SP	1	Gasket-Electrical Panel
	12	56004127	2	Scr Trx M5x16 W/Thd Lck Blk		43k	56117418-SP	1	Controller-Drive (A4)
	13	56004128	2	Scr Hex M8x16 Ss W/Thd Lck		43l	56117448-SP	1	Panel Assembly-Electrical
K2	14		1	Scr Hex M6x16 Ss W/Thd Lck		43m	56117669-SP	1	Plate-Bus Bar
	15	56004148	1	Wshr-28.6odx22.2idx1.5 Blk Nyl		43n	56117831	1	Bracket-Fuse Holder
	16	56004152	5	Scr Hex M6x45 Ss W/Thd Lck	K3	43o		1	Contactor-36v (K2)
	17	56004157	2	Scr Trx M6x16 W/Thd Lck Blk		43p	1450452000	2	Nut Lock Hex M8 Low Ss Iso10511
	18	56004158	2	Scr Trx M6x30 Skt Ss W/Thd Lck		43q	9096600000	2	Screw Grub M8x30 Cup Point Ss Iso4029
	19	56004160	2	Scr Trx M8x16 W/Thd Lck Blk		43r	40892a	1	Relay Dpdt 36vdc (K1)
	20	56111972	1	Clip-Connector		43s	L08241500	5	Washer Plain M5x10 Ss Iso7089
	21	56115432	1	Fuse-150 Amp (F1)		43t	L08603207	2	Washer Plain M8x16 Ss Iso7089
	22	56115433	1	Holder-Fuse		43u	L08603682	3	Nut Lock Hex M6 Low Ss Iso10511
	23	56116375	1	Horn-36v (H7)		43v	L08603685	10	Nut Lock Hex M4 Low Ss Iso10511
	24	56116477	1	Ibutton-Probe (A17)		43w	L08603688	2	Nut Lock Hex M5 Low Ss Iso10511
	25	56116518	1	Smart Key-User		43x	L08812661	1	Gasket Rubber-Skein
K2	26		1	Bracket-Beacon		44	56117557-SP	1	Pedal-Uni Direction-Hall (R3)
	27	56116601	1	Usb-2.0-Type A-Panel Mount		45	56117796-SP	1	Bracket-Traction Harness
	28	56116611	4	Cable Tie Mount	K2	46	56117845-SP	1	Beacon-Warning Led (LP8)
	29	56117202-SP	1	Main Harness		47	56117964-SP	1	Bushing-Flange-20x21x3.5mm
	30	56117400-SP	1	Harness-Machine Power		48	56118163	1	Smart Key-Yellow
	31	56117401-SP	1	Harness-Battery Power		49	56123173	1	Clip-Connector
	32	56117404-SP	1	Cable-Power-6 Ga		50	56314155	2	Clamp, Cable
	33	56117405-SP	1	Cable-Return-6 Ga		51	56314608	5	Clamp, Cable
	34	56117406-SP	1	Cable-Power-6 Ga		52	56315255	2	Circuit Breaker, 5 Amp (CB1, CB3)
	35	56117407-SP	1	Cable-Return-6 Ga	K2	53		11	Clamp, Hose Support
	36	56117408-SP	1	Harness-Recovery Tank		54	56394585	1	Clamp-P-1.57 Dia.
	37	56117409-SP	1	Cable-Power-6 Ga		55	56410223	1	Clamp, P
	38	56117411-SP	1	Harness-Traction		56	56454429	1	Circuit Breaker, 70 Amp (CB2)
	39	56117416-SP	1	Alarm-Back-Up-11-100v (H8)		57	56459369	1	Boot, Reset Button
	40	56117417-SP	1	Harness-Column		58	56496276	1	Clamp, Hose Support
	41	56117427-SP	1	Sensor-Level-Capacitive		59	56601686	1	Ferrite Bead
K2	42		1	Bracket-Hazard Light		60	302003704	2	Screw Ebot Delta Pt50x18wn1451
						61	1450524000	8	Tie Cable 4.8x200 Black
						62	1451241000	12	Tie Cable 2.9x130 Black
					K2	63		2	Nut Hex M5 Ss
						64	7-82-00050	1	Switch Seat
						65	L08066000	1	Tie Cable Quick Fastening L.320
						66	L08603207	2	Washer Plain M8x16 Ss Iso7089
					K3	67		1	Nut Lock Hex M6 Low Ss Iso10511

Service Kits

K1	56117465	1	Controller Kit
K2	56117834	1	Hazard Light Bracket Kit
K3	56117835	1	36v Contactor Kit
[]	56124003	1	Fuse Kit

[] = Not Shown

ELECTRICAL SYSTEM-4



ELECTRICAL SYSTEM-4

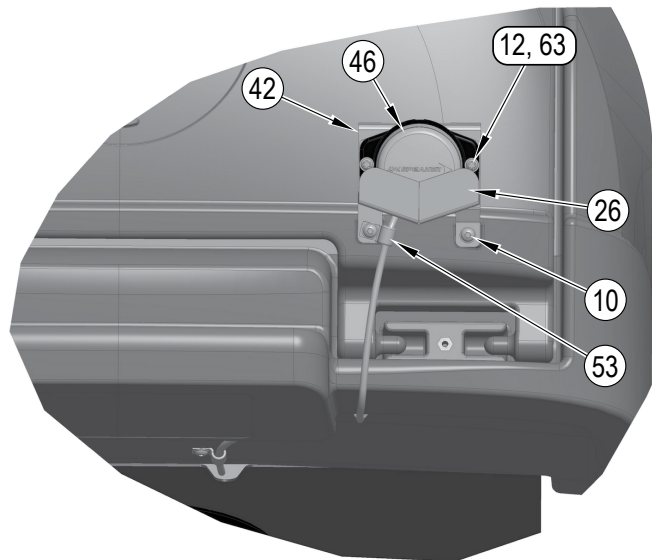
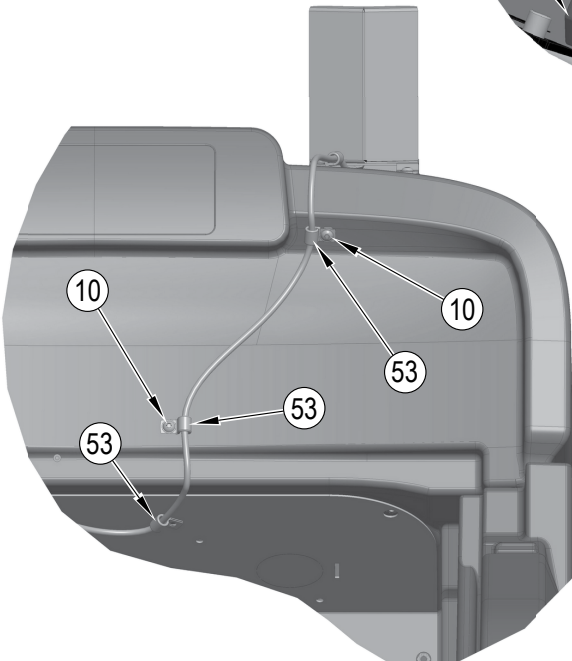
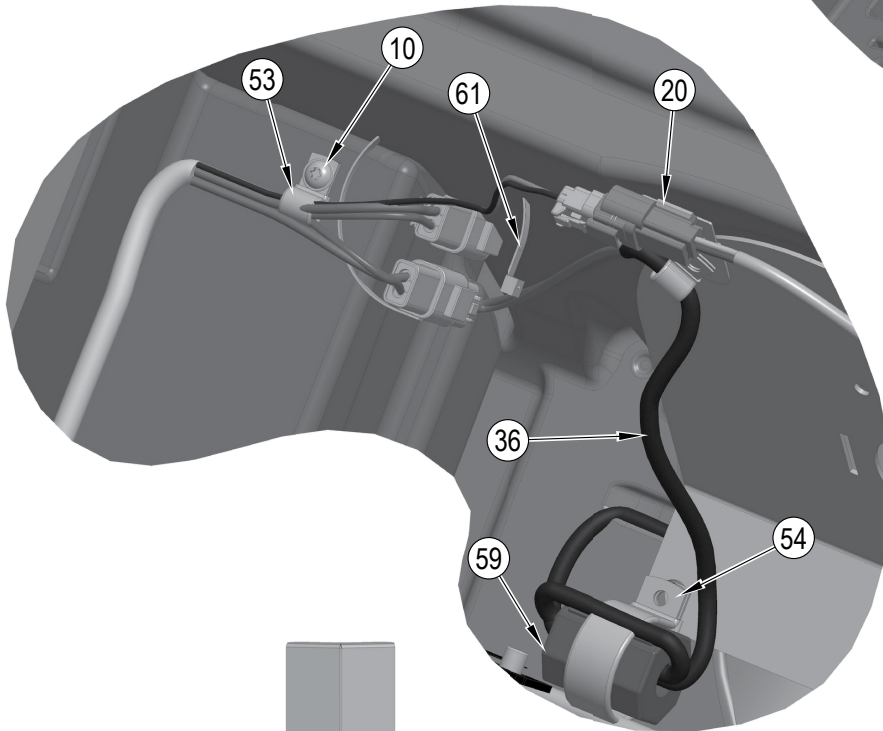
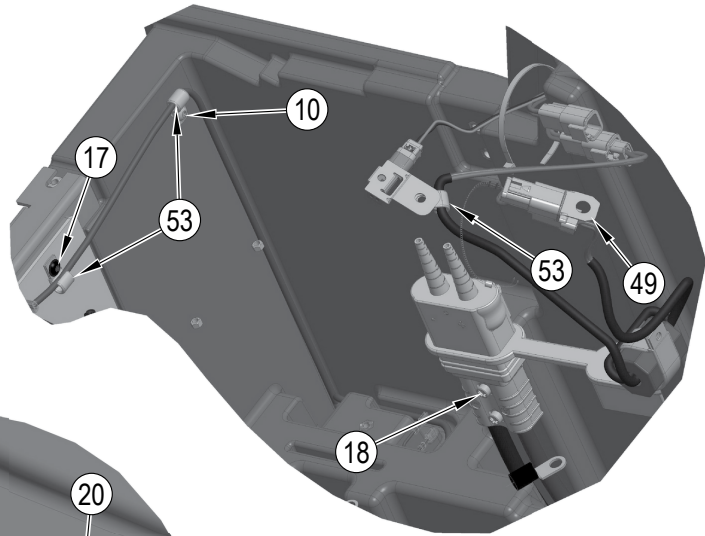
Kit	Item	Ref. No.	Qty	Description	Kit	Item	Ref. No.	Qty	Description
	1	1312	1	Mounting Pad		43	56117551	1	Electrical Panel Assembly
K3	2	33005875	4	Washer Plain M6x12.5x1.6 Ss Iso7093		43a	33005875	5	Washer Plain M6x12.5x1.6 Ss Iso7093
	3	33009876	1	Spiral Sleeve Ø21x25		43b	33005911	2	Washer Plain M4x9 Iso7089
	4	33016951	2	Screw Thread Rolling M6x12		43c	33017365	2	Isolator Spacer M8
	5	56001816	2	Scr M3.5x14 Trx Plastite		43d	56004100	2	Scr Trx M6x12 W/Thd Lck Blk
	6	56002561	1	Nut, Hex W/ Shprf		43e	56004130	5	Scr Trx M5x12 Skt Ss W/Thd Lck
K2	7	56004083	1	Scr Hex M6x12 Ss W/Thd Lck		43f	56009255	5	Wsh Int Shprf 5mm
	8	56004084	4	Scr Hex M6x20 Ss W/Thd Lck		43g	56116087	1	Module-High Power (A2)
	9	56004087	1	Scr Hex M8x20 Ss W/Thd Lck		43h	56116828	2	Washer Int Lock M6 Din6798j Ss
	10	56004100	9	Scr Trx M6x12 W/Thd Lck Blk	K1	43i	56117204	1	Pcb Box Assembly-Main (A1)
	11	56004124	2	Scr Hex M6x30 Ss W/Thd Lck		43j	56117413-SP	1	Gasket-Electrical Panel
	12	56004127	2	Scr Trx M5x16 W/Thd Lck Blk		43k	56117418-SP	1	Controller-Drive (A4)
	13	56004128	2	Scr Hex M8x16 Ss W/Thd Lck		43l	56117448-SP	1	Panel Assembly-Electrical
K2	14	56004136	1	Scr Hex M6x16 Ss W/Thd Lck		43m	56117669-SP	1	Plate-Bus Bar
	15	56004148	1	Wshr-28.6odx22.2idx1.5 Blk Nyl		43n	56117831	1	Bracket-Fuse Holder
	16	56004152	5	Scr Hex M6x45 Ss W/Thd Lck	K3	43o	56117840	1	Contactora-36v (K2)
	17	56004157	2	Scr Trx M6x16 W/Thd Lck Blk		43p	1450452000	2	Nut Lock Hex M8 Low Ss Iso10511
	18	56004158	2	Scr Trx M6x30 Skt Ss W/Thd Lck		43q	9096600000	2	Screw Grub M8x30 Cup Point Ss Iso4029
	19	56004160	2	Scr Trx M8x16 W/Thd Lck Blk		43r	40892a	1	Relay Dpdt 36vdc (K1)
	20	56111972	1	Clip-Connector		43s	L08241500	5	Washer Plain M5x10 Ss Iso7089
	21	56115432	1	Fuse-150 Amp (F1)		43t	L08603207	2	Washer Plain M8x16 Ss Iso7089
	22	56115433	1	Holder-Fuse		43u	L08603682	3	Nut Lock Hex M6 Low Ss Iso10511
	23	56116375	1	Horn-36v (H7)		43v	L08603685	10	Nut Lock Hex M4 Low Ss Iso10511
	24	56116477	1	Ibutton-Probe (A17)		43w	L08603688	2	Nut Lock Hex M5 Low Ss Iso10511
	25	56116518	1	Smart Key-User		43x	L08812661	1	Gasket Rubber-Skein
K2	26	56116595	1	Bracket-Beacon		44	56117557-SP	1	Pedal-Uni Direction-Hall (R3)
	27	56116601	1	Usb-2.0-Type A-Panel Mount		45	56117796-SP	1	Bracket-Traction Harness
	28	56116611	4	Cable Tie Mount	K2	46	56117845-SP	1	Beacon-Warning Led (LP8)
	29	56117202-SP	1	Main Harness		47	56117964-SP	1	Bushing-Flange-20x21x3.5mm
	30	56117400-SP	1	Harness-Machine Power		48	56118163	1	Smart Key-Yellow
	31	56117401-SP	1	Harness-Battery Power		49	56123173	1	Clip-Connector
	32	56117404-SP	1	Cable-Power-6 Ga		50	56314155	2	Clamp, Cable
	33	56117405-SP	1	Cable-Return-6 Ga		51	56314608	5	Clamp, Cable
	34	56117406-SP	1	Cable-Power-6 Ga		52	56315255	2	Circuit Breaker, 5 Amp (CB1, CB3)
	35	56117407-SP	1	Cable-Return-6 Ga	K2	53	56323260	11	Clamp, Hose Support
	36	56117408-SP	1	Harness-Recovery Tank		54	56394585	1	Clamp-P-1.57 Dia.
	37	56117409-SP	1	Cable-Power-6 Ga		55	56410223	1	Clamp, P
	38	56117411-SP	1	Harness-Traction		56	56454429	1	Circuit Breaker, 70 Amp (CB2)
	39	56117416-SP	1	Alarm-Back-Up-11-100v (H8)		57	56459369	1	Boot, Reset Button
	40	56117417-SP	1	Harness-Column		58	56496276	1	Clamp, Hose Support
	41	56117427-SP	1	Sensor-Level-Capacitive		59	56601686	1	Ferrite Bead
K2	42	56117468	1	Bracket-Hazard Light		60	302003704	2	Screw Ejot Delta Pt50x18wn1451
						61	1450524000	8	Tie Cable 4.8x200 Black
						62	1451241000	12	Tie Cable 2.9x130 Black
					K2	63	9098906000	2	Nut Hex M5 Ss
						64	7-82-00050	1	Switch Seat
						65	L08066000	1	Tie Cable Quick Fastening L.320
						66	L08603207	2	Washer Plain M8x16 Ss Iso7089
					K3	67	L08603682	1	Nut Lock Hex M6 Low Ss Iso10511

Service Kits

K1	56117465	1	Controller Kit
K2	56117834	1	Hazard Light Bracket Kit
K3	56117835	1	36v Contactor Kit
[]	56124003	1	Fuse Kit

[] = Not Shown

ELECTRICAL SYSTEM-5



ELECTRICAL SYSTEM-5

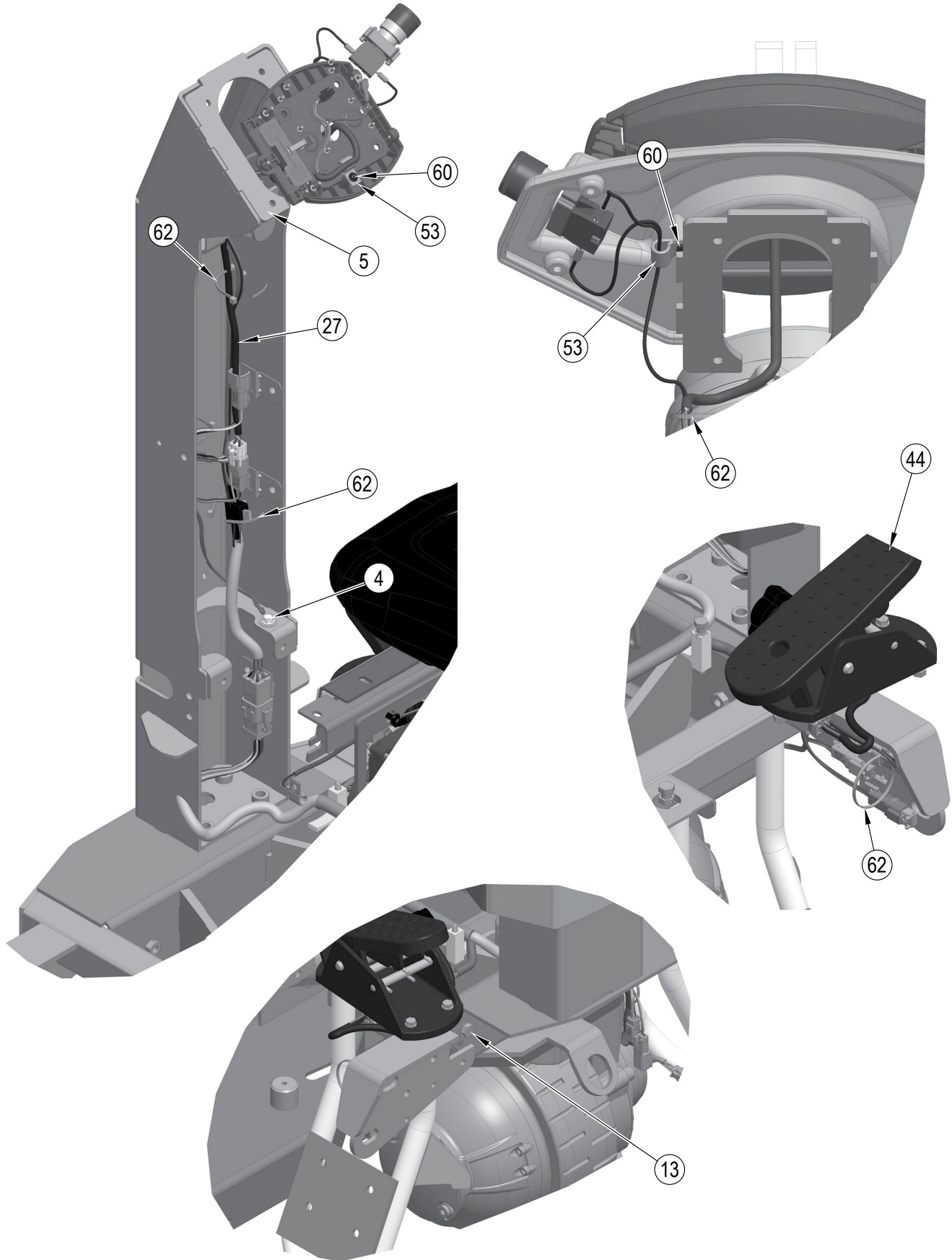
Kit	Item	Ref. No.	Qty	Description	Kit	Item	Ref. No.	Qty	Description
	1	1312	1	Mounting Pad		43	56117551	1	Electrical Panel Assembly
K3	2	33005875	4	Washer Plain M6x12.5x1.6 Ss Iso7093	43a	33005875	5	Washer Plain M6x12.5x1.6 Ss Iso7093	
	3	33009876	1	Spiral Sleeve Ø21x25	43b	33005911	2	Washer Plain M4x9 Iso7089	
	4	33016951	2	Screw Thread Rolling M6x12	43c	33017365	2	Isolator Spacer M8	
	5	56001816	2	Scr M3.5x14 Trx Plastite	43d	56004100	2	Scr Trx M6x12 W/Thd Lck Blk	
	6	56002561	1	Nut, Hex W/ Shprf	43e	56004130	5	Scr Trx M5x12 Skt Ss W/Thd Lck	
K2	7	56004083	1	Scr Hex M6x12 Ss W/Thd Lck	43f	56009255	5	Wsh Int Shprf 5mm	
	8	56004084	4	Scr Hex M6x20 Ss W/Thd Lck	43g	56116087	1	Module-High Power (A2)	
	9	56004087	1	Scr Hex M8x20 Ss W/Thd Lck	43h	56116828	2	Washer Int Lock M6 Din6798j Ss	
	10	56004100	9	Scr Trx M6x12 W/Thd Lck Blk	K1	43i	56117204	1	Pcb Box Assembly-Main (A1)
	11	56004124	2	Scr Hex M6x30 Ss W/Thd Lck	43j	56117413-SP	1	Gasket-Electrical Panel	
	12	56004127	2	Scr Trx M5x16 W/Thd Lck Blk	43k	56117418-SP	1	Controller-Drive (A4)	
	13	56004128	2	Scr Hex M8x16 Ss W/Thd Lck	43l	56117448-SP	1	Panel Assembly-Electrical	
K2	14	56004136	1	Scr Hex M6x16 Ss W/Thd Lck	43m	56117669-SP	1	Plate-Bus Bar	
	15	56004148	1	Wshr-28.6odx22.2idx1.5 Blk Nyl	43n	56117831	1	Bracket-Fuse Holder	
	16	56004152	5	Scr Hex M6x45 Ss W/Thd Lck	K3	43o	56117840	1	Contactora-36v (K2)
	17	56004157	2	Scr Trx M6x16 W/Thd Lck Blk	43p	1450452000	2	Nut Lock Hex M8 Low Ss Iso10511	
	18	56004158	2	Scr Trx M6x30 Skt Ss W/Thd Lck	43q	9096600000	2	Screw Grub M8x30 Cup Point Ss Iso4029	
	19	56004160	2	Scr Trx M8x16 W/Thd Lck Blk	43r	40892a	1	Relay Dpdt 36vdc (K1)	
	20	56111972	1	Clip-Connector	43s	L08241500	5	Washer Plain M5x10 Ss Iso7089	
	21	56115432	1	Fuse-150 Amp (F1)	43t	L08603207	2	Washer Plain M8x16 Ss Iso7089	
	22	56115433	1	Holder-Fuse	43u	L08603682	3	Nut Lock Hex M6 Low Ss Iso10511	
	23	56116375	1	Horn-36v (H7)	43v	L08603685	10	Nut Lock Hex M4 Low Ss Iso10511	
	24	56116477	1	Ibutton-Probe (A17)	43w	L08603688	2	Nut Lock Hex M5 Low Ss Iso10511	
	25	56116518	1	Smart Key-User	43x	L08812661	1	Gasket Rubber-Skein	
K2	26	56116595	1	Bracket-Beacon		44	56117557-SP	1	Pedal-Uni Direction-Hall (R3)
	27	56116601	1	Usb-2.0-Type A-Panel Mount		45	56117796-SP	1	Bracket-Traction Harness
	28	56116611	4	Cable Tie Mount	K2	46	56117845-SP	1	Beacon-Warning Led (LP8)
	29	56117202-SP	1	Main Harness	47	56117964-SP	1	Bushing-Flange-20x21x3.5mm	
	30	56117400-SP	1	Harness-Machine Power	48	56118163	1	Smart Key-Yellow	
	31	56117401-SP	1	Harness-Battery Power	49	56123173	1	Clip-Connector	
	32	56117404-SP	1	Cable-Power-6 Ga	50	56314155	2	Clamp, Cable	
	33	56117405-SP	1	Cable-Return-6 Ga	51	56314608	5	Clamp, Cable	
	34	56117406-SP	1	Cable-Power-6 Ga	52	56315255	2	Circuit Breaker, 5 Amp (CB1, CB3)	
	35	56117407-SP	1	Cable-Return-6 Ga	K2	53	56323260	11	Clamp, Hose Support
	36	56117408-SP	1	Harness-Recovery Tank	54	56394585	1	Clamp-P-1.57 Dia.	
	37	56117409-SP	1	Cable-Power-6 Ga	55	56410223	1	Clamp, P	
	38	56117411-SP	1	Harness-Traction	56	56454429	1	Circuit Breaker, 70 Amp (CB2)	
	39	56117416-SP	1	Alarm-Back-Up-11-100v (H8)	57	56459369	1	Boot, Reset Button	
	40	56117417-SP	1	Harness-Column	58	56496276	1	Clamp, Hose Support	
	41	56117427-SP	1	Sensor-Level-Capacitive	59	56601686	1	Ferrite Bead	
K2	42	56117468	1	Bracket-Hazard Light	60	302003704	2	Screw Ejoy Delta Pt50x18wn1451	
					61	1450524000	8	Tie Cable 4.8x200 Black	
					62	1451241000	12	Tie Cable 2.9x130 Black	
					K2	63	9098906000	2	Nut Hex M5 Ss
					64	7-82-00050	1	Switch Seat	
					65	L08066000	1	Tie Cable Quick Fastening L.320	
					66	L08603207	2	Washer Plain M8x16 Ss Iso7089	
					K3	67	L08603682	1	Nut Lock Hex M6 Low Ss Iso10511

Service Kits

K1	56117465	1	Controller Kit
K2	56117834	1	Hazard Light Bracket Kit
K3	56117835	1	36v Contactor Kit
[]	56124003	1	Fuse Kit

[] = Not Shown

ELECTRICAL SYSTEM-6



ELECTRICAL SYSTEM-6

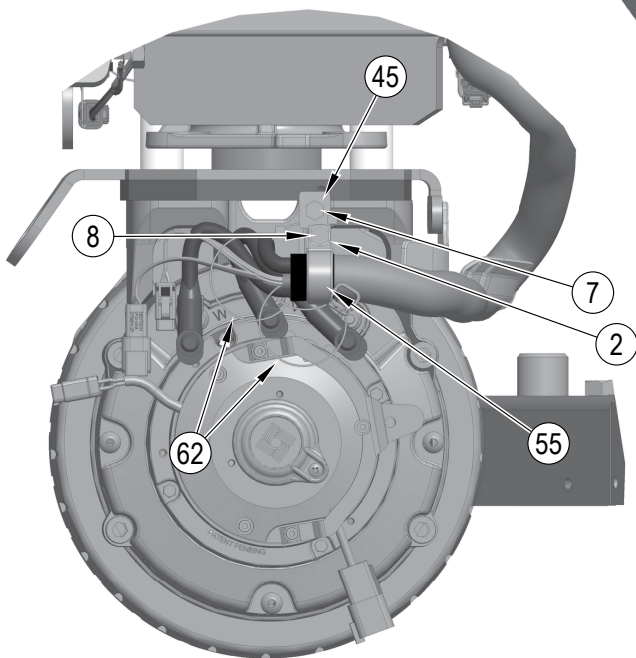
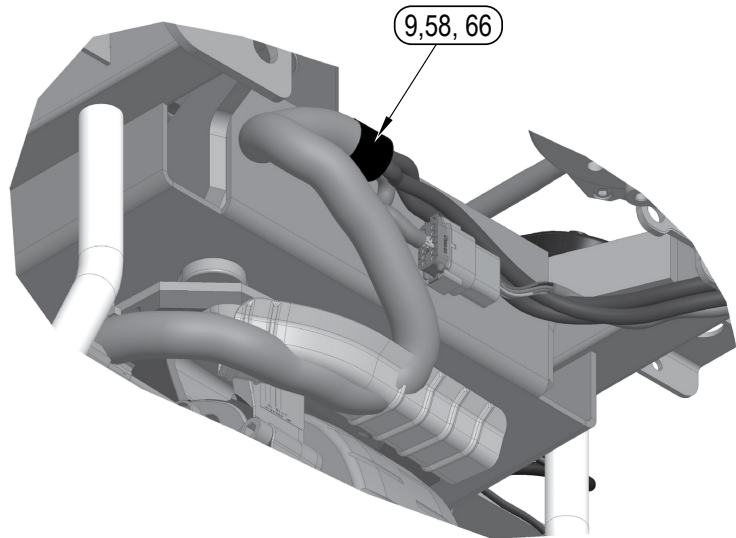
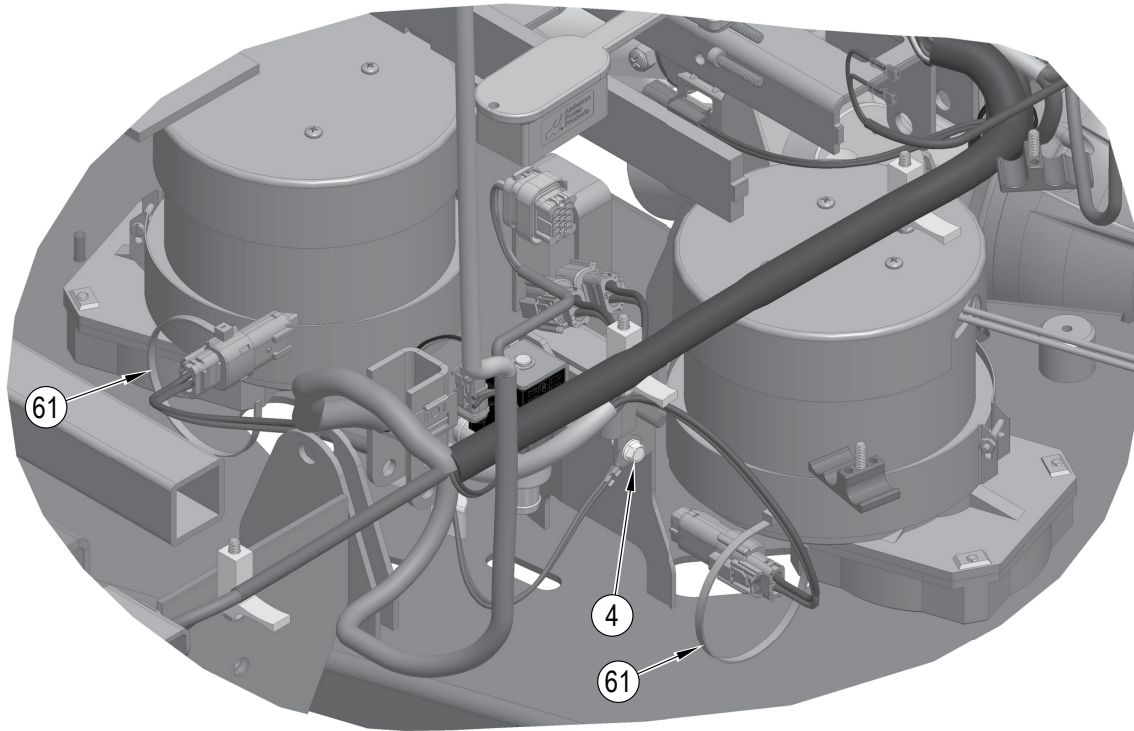
Kit	Item	Ref. No.	Qty	Description	Kit	Item	Ref. No.	Qty	Description
	1	1312	1	Mounting Pad		43	56117551	1	Electrical Panel Assembly
K3	2	33005875	4	Washer Plain M6x12.5x1.6 Ss Iso7093		43a	33005875	5	Washer Plain M6x12.5x1.6 Ss Iso7093
	3	33009876	1	Spiral Sleeve Ø21x25		43b	33005911	2	Washer Plain M4x9 Iso7089
	4	33016951	2	Screw Thread Rolling M6x12		43c	33017365	2	Isolator Spacer M8
	5	56001816	2	Scr M3.5x14 Trx Plastite		43d	56004100	2	Scr Trx M6x12 W/Thd Lck Blk
	6	56002561	1	Nut, Hex W/ Shprf		43e	56004130	5	Scr Trx M5x12 Skt Ss W/Thd Lck
K2	7	56004083	1	Scr Hex M6x12 Ss W/Thd Lck		43f	56009255	5	Wsh Int Shprf 5mm
	8	56004084	4	Scr Hex M6x20 Ss W/Thd Lck		43g	56116087	1	Module-High Power (A2)
	9	56004087	1	Scr Hex M8x20 Ss W/Thd Lck		43h	56116828	2	Washer Int Lock M6 Din6798j Ss
	10	56004100	9	Scr Trx M6x12 W/Thd Lck Blk	K1	43i	56117204	1	Pcb Box Assembly-Main (A1)
	11	56004124	2	Scr Hex M6x30 Ss W/Thd Lck		43j	56117413-SP	1	Gasket-Electrical Panel
	12	56004127	2	Scr Trx M5x16 W/Thd Lck Blk		43k	56117418-SP	1	Controller-Drive (A4)
	13	56004128	2	Scr Hex M8x16 Ss W/Thd Lck		43l	56117448-SP	1	Panel Assembly-Electrical
K2	14	56004136	1	Scr Hex M6x16 Ss W/Thd Lck		43m	56117669-SP	1	Plate-Bus Bar
	15	56004148	1	Wshr-28.6odx22.2idx1.5 Blk Nyl		43n	56117831	1	Bracket-Fuse Holder
	16	56004152	5	Scr Hex M6x45 Ss W/Thd Lck	K3	43o	56117840	1	Contactor-36v (K2)
	17	56004157	2	Scr Trx M6x16 W/Thd Lck Blk		43p	1450452000	2	Nut Lock Hex M8 Low Ss Iso10511
	18	56004158	2	Scr Trx M6x30 Skt Ss W/Thd Lck		43q	9096600000	2	Screw Grub M8x30 Cup Point Ss Iso4029
	19	56004160	2	Scr Trx M8x16 W/Thd Lck Blk		43r	40892a	1	Relay Dpdt 36vdc (K1)
	20	56111972	1	Clip-Connector		43s	L08241500	5	Washer Plain M5x10 Ss Iso7089
	21	56115432	1	Fuse-150 Amp (F1)		43t	L08603207	2	Washer Plain M8x16 Ss Iso7089
	22	56115433	1	Holder-Fuse		43u	L08603682	3	Nut Lock Hex M6 Low Ss Iso10511
	23	56116375	1	Horn-36v (H7)		43v	L08603685	10	Nut Lock Hex M4 Low Ss Iso10511
	24	56116477	1	Ibutton-Probe (A17)		43w	L08603688	2	Nut Lock Hex M5 Low Ss Iso10511
	25	56116518	1	Smart Key-User		43x	L08812661	1	Gasket Rubber-Skein
K2	26	56116595	1	Bracket-Beacon		44	56117557-SP	1	Pedal-Uni Direction-Hall (R3)
	27	56116601	1	Usb-2.0-Type A-Panel Mount		45	56117796-SP	1	Bracket-Traction Harness
	28	56116611	4	Cable Tie Mount	K2	46	56117845-SP	1	Beacon-Warning Led (LP8)
	29	56117202-SP	1	Main Harness		47	56117964-SP	1	Bushing-Flange-20x21x3.5mm
	30	56117400-SP	1	Harness-Machine Power		48	56118163	1	Smart Key-Yellow
	31	56117401-SP	1	Harness-Battery Power		49	56123173	1	Clip-Connector
	32	56117404-SP	1	Cable-Power-6 Ga		50	56314155	2	Clamp, Cable
	33	56117405-SP	1	Cable-Return-6 Ga		51	56314608	5	Clamp, Cable
	34	56117406-SP	1	Cable-Power-6 Ga		52	56315255	2	Circuit Breaker, 5 Amp (CB1, CB3)
	35	56117407-SP	1	Cable-Return-6 Ga	K2	53	56323260	11	Clamp, Hose Support
	36	56117408-SP	1	Harness-Recovery Tank		54	56394585	1	Clamp-P-1.57 Dia.
	37	56117409-SP	1	Cable-Power-6 Ga		55	56410223	1	Clamp, P
	38	56117411-SP	1	Harness-Traction		56	56454429	1	Circuit Breaker, 70 Amp (CB2)
	39	56117416-SP	1	Alarm-Back-Up-11-100v (H8)		57	56459369	1	Boot, Reset Button
	40	56117417-SP	1	Harness-Column		58	56496276	1	Clamp, Hose Support
	41	56117427-SP	1	Sensor-Level-Capacitive		59	56601686	1	Ferrite Bead
K2	42	56117468	1	Bracket-Hazard Light		60	302003704	2	Screw Eject Delta Pt50x18wn1451
						61	1450524000	8	Tie Cable 4.8x200 Black
						62	1451241000	12	Tie Cable 2.9x130 Black
					K2	63	9098906000	2	Nut Hex M5 Ss
						64	7-82-00050	1	Switch Seat
						65	L08066000	1	Tie Cable Quick Fastening L.320
						66	L08603207	2	Washer Plain M8x16 Ss Iso7089
					K3	67	L08603682	1	Nut Lock Hex M6 Low Ss Iso10511

Service Kits

K1	56117465	1	Controller Kit
K2	56117834	1	Hazard Light Bracket Kit
K3	56117835	1	36v Contactor Kit
[]	56124003	1	Fuse Kit

[] = Not Shown

ELECTRICAL SYSTEM-7



ELECTRICAL SYSTEM-7

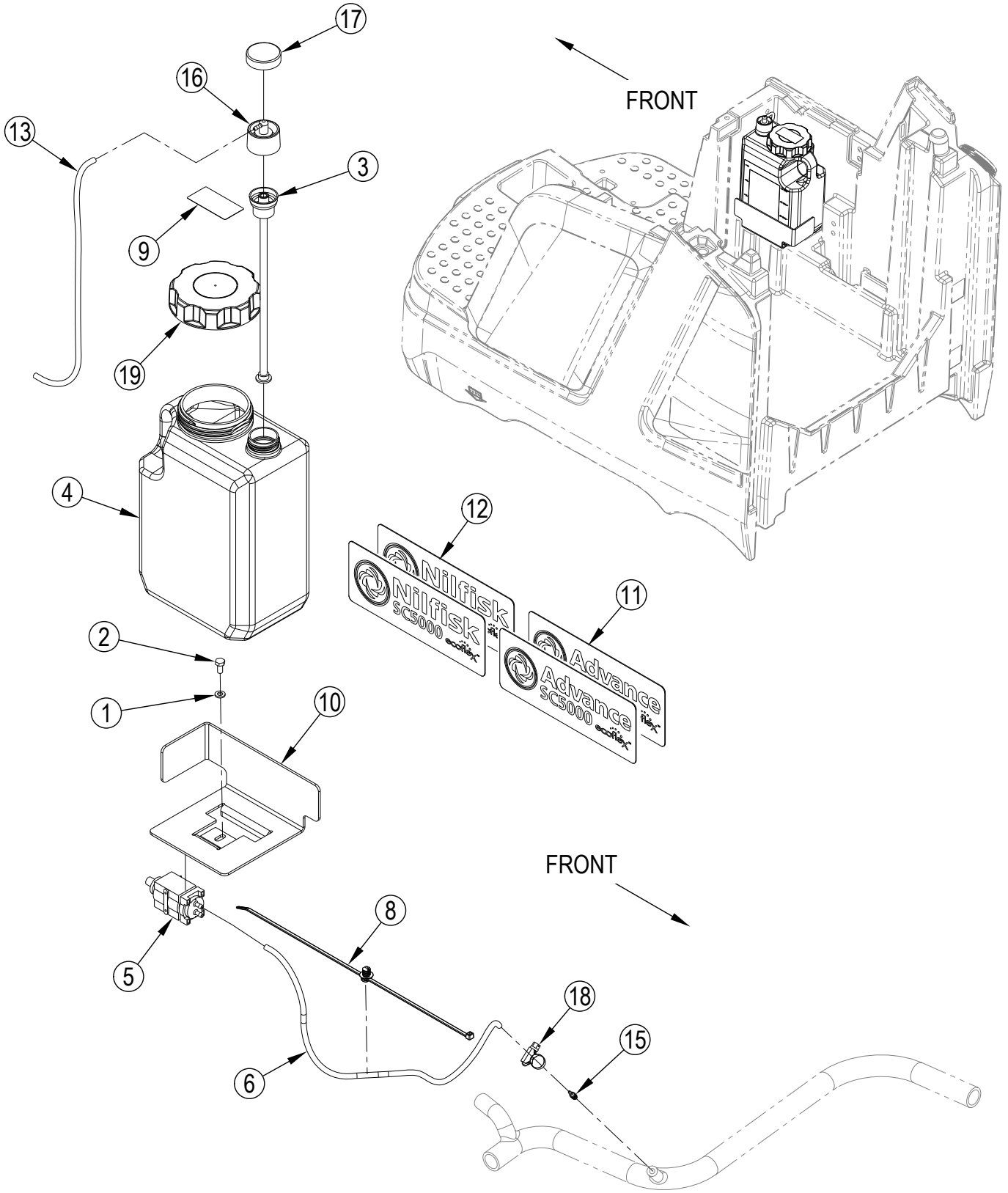
Kit	Item	Ref. No.	Qty	Description	Kit	Item	Ref. No.	Qty	Description
	1	1312	1	Mounting Pad		43	56117551	1	Electrical Panel Assembly
K3	2	33005875	4	Washer Plain M6x12.5x1.6 Ss Iso7093		43a	33005875	5	Washer Plain M6x12.5x1.6 Ss Iso7093
	3	33009876	1	Spiral Sleeve Ø21x25		43b	33005911	2	Washer Plain M4x9 Iso7089
	4	33016951	2	Screw Thread Rolling M6x12		43c	33017365	2	Isolator Spacer M8
	5	56001816	2	Scr M3.5x14 Trx Plastite		43d	56004100	2	Scr Trx M6x12 W/Thd Lck Blk
	6	56002561	1	Nut, Hex W/ Shprf		43e	56004130	5	Scr Trx M5x12 Skt Ss W/Thd Lck
K2	7	56004083	1	Scr Hex M6x12 Ss W/Thd Lck		43f	56009255	5	Wsh Int Shprf 5mm
	8	56004084	4	Scr Hex M6x20 Ss W/Thd Lck		43g	56116087	1	Module-High Power (A2)
	9	56004087	1	Scr Hex M8x20 Ss W/Thd Lck		43h	56116828	2	Washer Int Lock M6 Din6798j Ss
	10	56004100	9	Scr Trx M6x12 W/Thd Lck Blk	K1	43i	56117204	1	Pcb Box Assembly-Main (A1)
	11	56004124	2	Scr Hex M6x30 Ss W/Thd Lck		43j	56117413-SP	1	Gasket-Electrical Panel
	12	56004127	2	Scr Trx M5x16 W/Thd Lck Blk		43k	56117418-SP	1	Controller-Drive (A4)
	13	56004128	2	Scr Hex M8x16 Ss W/Thd Lck		43l	56117448-SP	1	Panel Assembly-Electrical
K2	14	56004136	1	Scr Hex M6x16 Ss W/Thd Lck		43m	56117669-SP	1	Plate-Bus Bar
	15	56004148	1	Wshr-28.6odx22.2idx1.5 Blk Nyl		43n	56117831	1	Bracket-Fuse Holder
	16	56004152	5	Scr Hex M6x45 Ss W/Thd Lck	K3	43o	56117840	1	Contacto-36v (K2)
	17	56004157	2	Scr Trx M6x16 W/Thd Lck Blk		43p	1450452000	2	Nut Lock Hex M8 Low Ss Iso10511
	18	56004158	2	Scr Trx M6x30 Skt Ss W/Thd Lck		43q	9096600000	2	Screw Grub M8x30 Cup Point Ss Iso4029
	19	56004160	2	Scr Trx M8x16 W/Thd Lck Blk		43r	40892a	1	Relay Dpdt 36vdc (K1)
	20	56111972	1	Clip-Connector		43s	L08241500	5	Washer Plain M5x10 Ss Iso7089
	21	56115432	1	Fuse-150 Amp (F1)		43t	L08603207	2	Washer Plain M8x16 Ss Iso7089
	22	56115433	1	Holder-Fuse		43u	L08603682	3	Nut Lock Hex M6 Low Ss Iso10511
	23	56116375	1	Horn-36v (H7)		43v	L08603685	10	Nut Lock Hex M4 Low Ss Iso10511
	24	56116477	1	Ibutton-Probe (A17)		43w	L08603688	2	Nut Lock Hex M5 Low Ss Iso10511
	25	56116518	1	Smart Key-User		43x	L08812661	1	Gasket Rubber-Skein
K2	26	56116595	1	Bracket-Beacon		44	56117557-SP	1	Pedal-Uni Direction-Hall (R3)
	27	56116601	1	Usb-2.0-Type A-Panel Mount		45	56117796-SP	1	Bracket-Traction Harness
	28	56116611	4	Cable Tie Mount	K2	46	56117845-SP	1	Beacon-Warning Led (LP8)
	29	56117202-SP	1	Main Harness		47	56117964-SP	1	Bushing-Flange-20x21x3.5mm
	30	56117400-SP	1	Harness-Machine Power		48	56118163	1	Smart Key-Yellow
	31	56117401-SP	1	Harness-Battery Power		49	56123173	1	Clip-Connector
	32	56117404-SP	1	Cable-Power-6 Ga		50	56314155	2	Clamp, Cable
	33	56117405-SP	1	Cable-Return-6 Ga		51	56314608	5	Clamp, Cable
	34	56117406-SP	1	Cable-Power-6 Ga		52	56315255	2	Circuit Breaker, 5 Amp (CB1, CB3)
	35	56117407-SP	1	Cable-Return-6 Ga	K2	53	56323260	11	Clamp, Hose Support
	36	56117408-SP	1	Harness-Recovery Tank		54	56394585	1	Clamp-P-1.57 Dia.
	37	56117409-SP	1	Cable-Power-6 Ga		55	56410223	1	Clamp, P
	38	56117411-SP	1	Harness-Traction		56	56454429	1	Circuit Breaker, 70 Amp (CB2)
	39	56117416-SP	1	Alarm-Back-Up-11-100v (H8)		57	56459369	1	Boot, Reset Button
	40	56117417-SP	1	Harness-Column		58	56496276	1	Clamp, Hose Support
	41	56117427-SP	1	Sensor-Level-Capacitive		59	56601686	1	Ferrite Bead
K2	42	56117468	1	Bracket-Hazard Light		60	302003704	2	Screw Ejot Delta Pt50x18wn1451
						61	1450524000	8	Tie Cable 4.8x200 Black
						62	1451241000	12	Tie Cable 2.9x130 Black
					K2	63	9098906000	2	Nut Hex M5 Ss
						64	7-82-00050	1	Switch Seat
						65	L08066000	1	Tie Cable Quick Fastening L.320
						66	L08603207	2	Washer Plain M8x16 Ss Iso7089
					K3	67	L08603682	1	Nut Lock Hex M6 Low Ss Iso10511

Service Kits

K1	56117465	1	Controller Kit
K2	56117834	1	Hazard Light Bracket Kit
K3	56117835	1	36v Contactor Kit
[]	56124003	1	Fuse Kit

[] = Not Shown

ECOFLEX™ ASSEMBLY

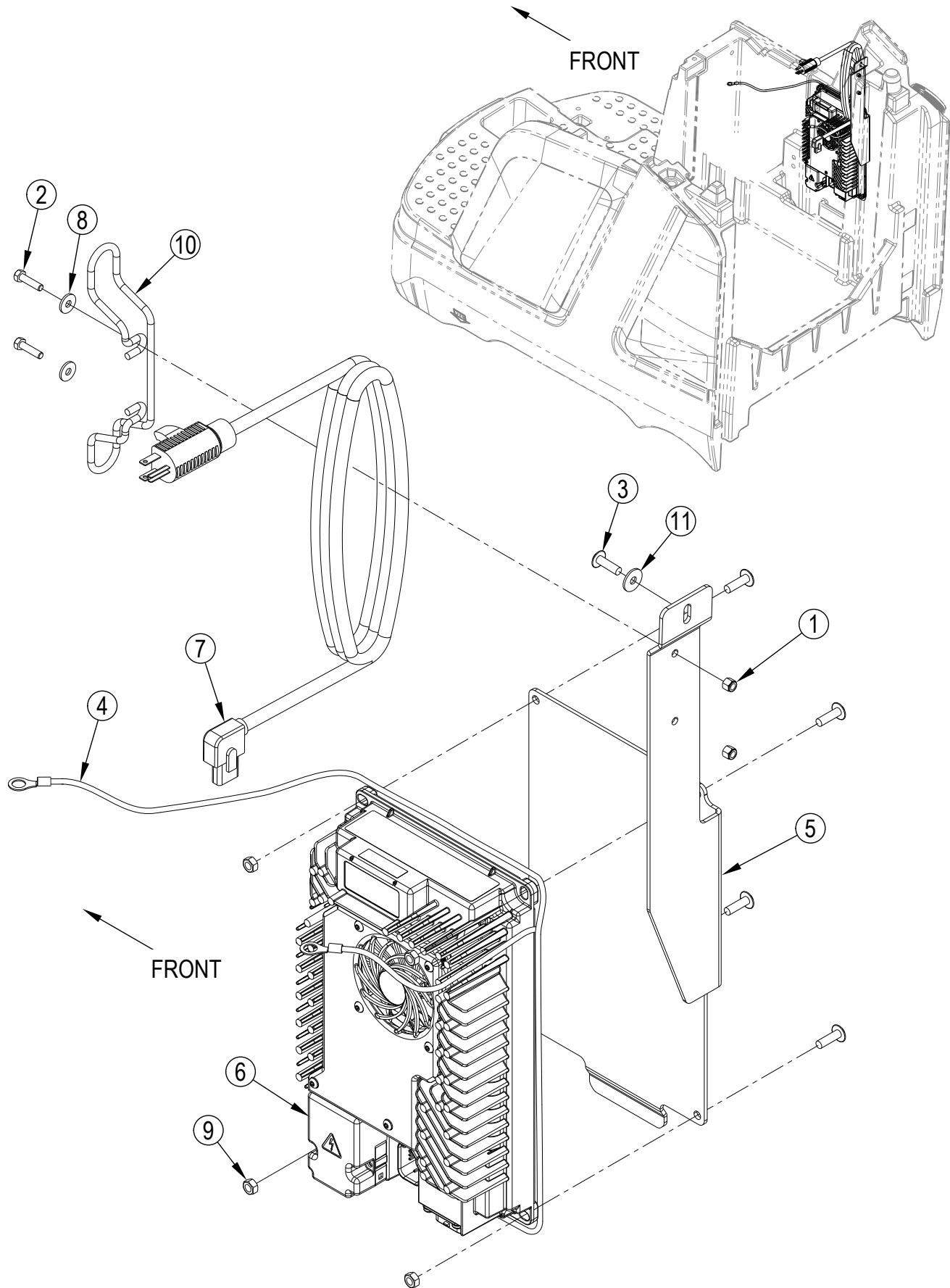


ECOFLEX™ ASSEMBLY

Kit	Item	Ref. No.	Qty	Description
	1	56003638	1	Wsh. Flt Ss 6mm
	2	56004083	1	Scr Hex M6x12 Ss W/Thd Lck
	3	56104189	1	Insert-Dry Break
	4	56104408	1	Chemical Bottle Assembly
	5	56110742	1	Pump, Detergent, 12v
	6	56111870	1	Hose-.125id
	[7]	56111870	2	Hose-27.00 Chem Resistant
	8	56116611	1	Cable Tie-Mount
	9	56116801	1	Decal-Chemical Ratio
	10	56117399	1	Bracket-Detergent Bottle
	11	56117480	1	Decal-Advance Sc5000-Ecoflex
	12	56117482	1	Decal-Nilfisk Sc5000-Ecoflex
	13	56306169	1	Hose-.125 Id X 432mm
	[14]	56306169	1	Hose-17.00 Chem Resistant
	15	56314982	1	Reducer,Barb
	16	56315523	1	Cap Dry Break 1/8 Barb
	17	56315690	1	Cap. 38mm Buttress
	18	1458582000	1	Clamp Hose 8-16/9 Din3017
	19	9100001512	1	Cap Plastic F Chemical Tank

[] = Not Shown

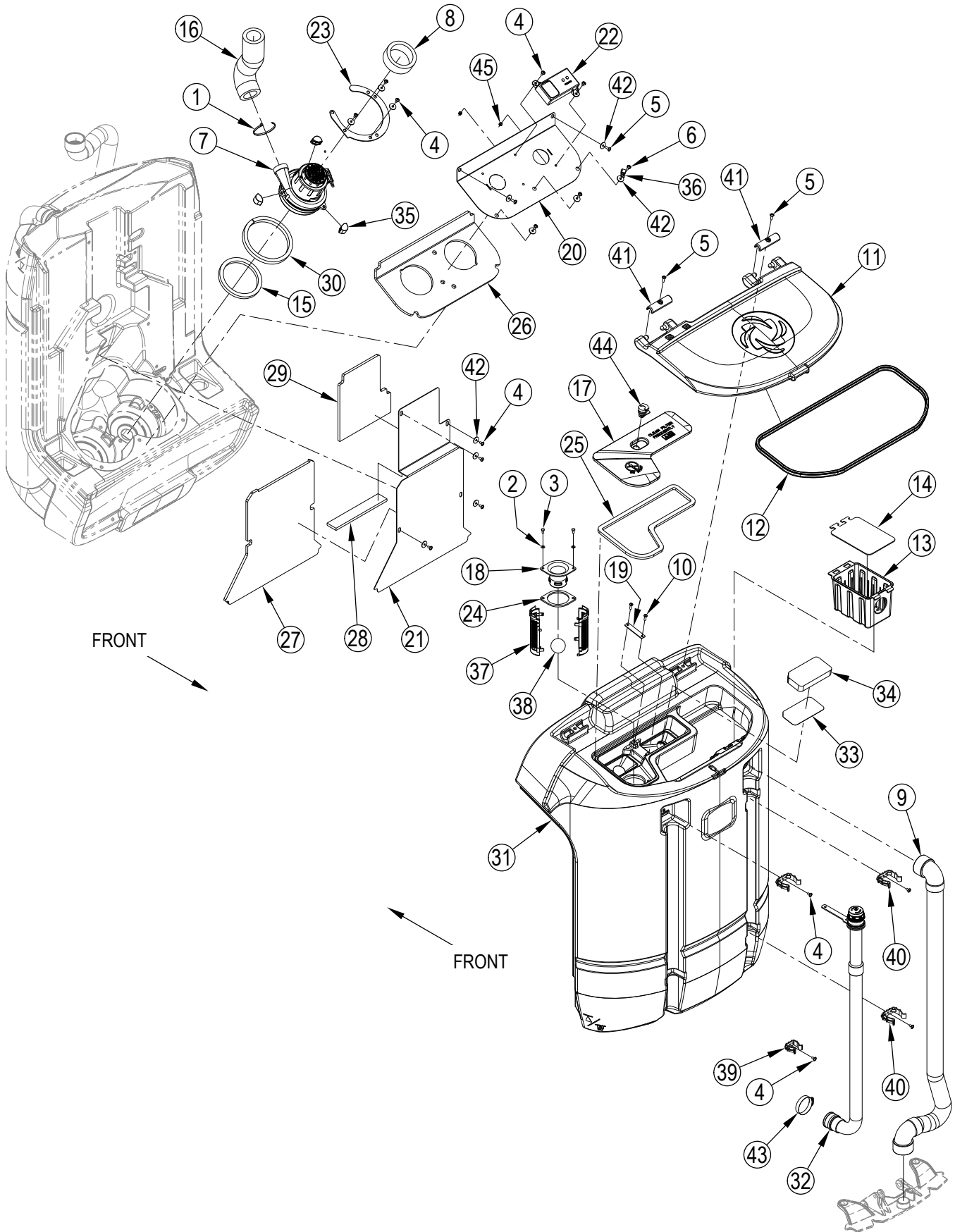
ONBOARD-CHARGER-ASSEMBLY



ONBOARD-CHARGER-ASSEMBLY

Kit	Item	Ref. No.	Qty	Description
	1	56003402	2	Nut-Hex Nyl Loc M5-0.8
	2	56003427	2	Scr-Hex M5-0.8 X 20mm
	3	56004101	5	Scr Trx M6x20 W/Thd Lck Blk
	4	56117410	1	Harness-Charger
	5	56117425	1	Bracket-Onboard Charger Mount
	6	56117797	1	Charger-On Board-36v (A7)
	7	56383866	1	Cord-Ac Nema Iec320 - Deltaq
	8	1458280000	2	Washer Plain M5x15 Ss Iso7093
	9	1459960000	4	Nut Hex M6 Ss
	10	9095149000	1	Cable Support
	11	L08228600	1	Washer Plain M6x18 Iso7093

RECOVERY SYSTEM



RECOVERY SYSTEM

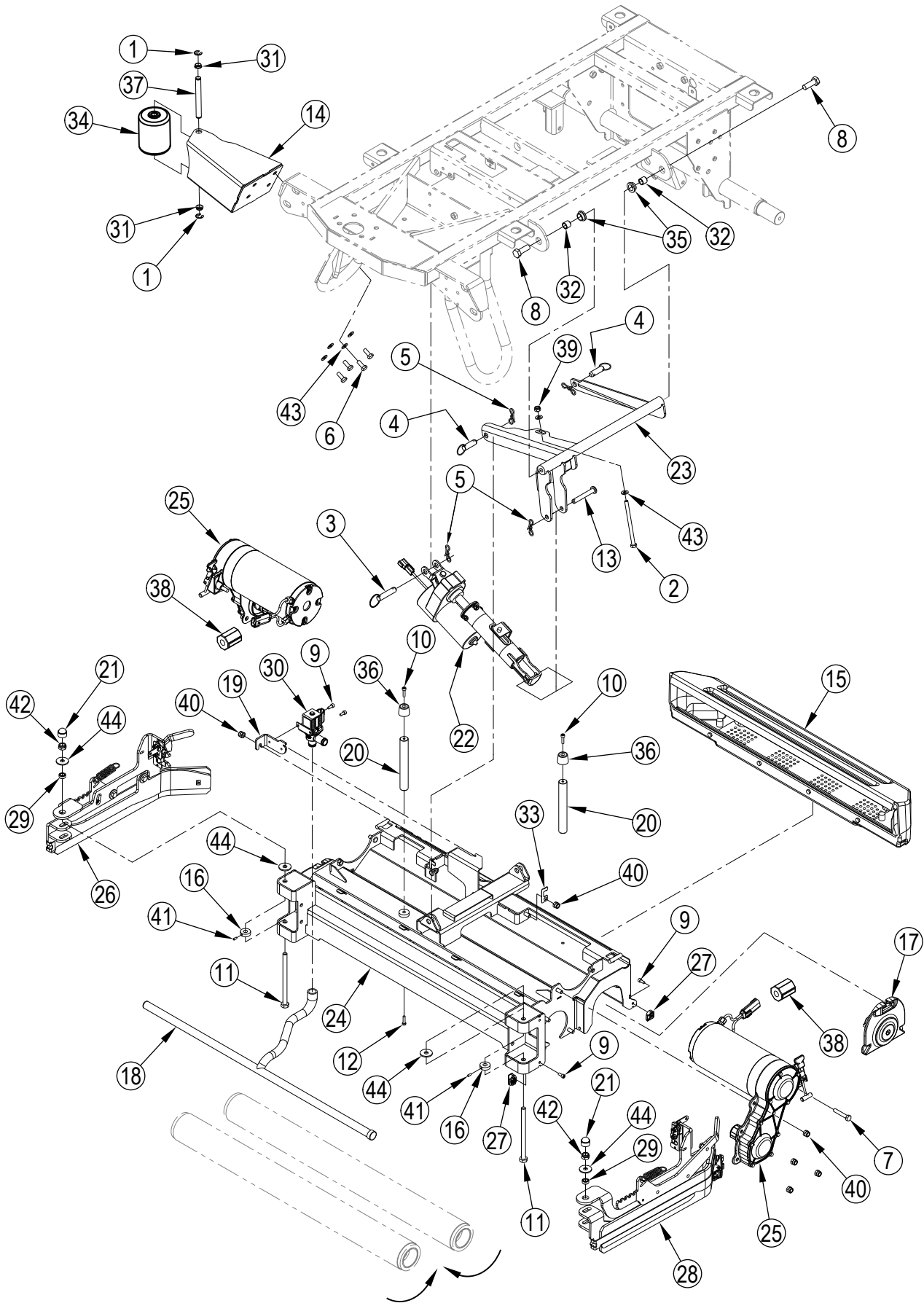
Kit	Item	Ref. No.	Qty	Description
	1	33003513	1	Tie Cable 4.8x290 Black
	2	33005875	2	Washer Plain M6x12.5x1.6 Ss Iso7093
	3	56004083	2	Scr Hex M6x12 Ss W/Thd Lck
K3,K5	4		13	Scr Trx M6x12 W/Thd Lck Blk
K1,K6	5		4	Scr Trx M6x20 W/Thd Lck Blk
	6	56004157	3	Scr Trx M6x16 W/Thd Lck Blk
K4	7		1	Motor-Vacuum 36vdc (M4, M5)
K4	8		1	Seal-Inlet
	9	56116537	1	Squeegee Hose Assembly
	10	56116800	2	Screw M6x20 Wn1451 Black Zn
K1	11		1	Cover-Recovery Tank
K1	12	56117191-SP	1	Seal-Recovery Cover
	13	56117529-SP	1	Debris Tray
	14	56117530-SP	1	Cover-Debris Tray
K4	15	56117531-SP	1	Gasket-Vac Inlet
	16	56117532	1	Foam Tube-Exhaust
K2	17	56117533-SP	1	Cover-Filter
K3	18	56117534-SP	1	Mount-Float Cage
	19	56117535-SP	1	Plate-Cover Latch
K6	20		1	Panel-Upper-Vacuum Exhaust
K5	21		1	Panel-Lower-Vacuum Exhaust
	22	56117538-SP	1	Resonator-Vacuum Inlet
	23	56117539-SP	1	Retainer-Vacuum Motor

Kit	Item	Ref. No.	Qty	Description
K3	24	56117544-SP	1	Gasket-Float Cage
K2	25	56117545-SP	1	Gasket-Filter Cover
K6	26	56117546-SP	1	Sound Foam-Vac Cover
K5	27	56117547-SP	1	Foam-Sound-Vac Exhaust-Upper
K5	28	56117548-SP	1	Foam-Sound-Vac Exhaust-Mid
K5	29	56117549-SP	1	Foam-Sound-Vac Exhaust-Lower
K4	30	56117550-SP	1	Gasket-Vac Housing
	31	56117637-SP	1	Tank-Recovery
	32	56117789-SP	1	Hose Assy-Drain-Pu-1.5-Black
	33	56314372	1	Screen, Filter
	34	56314373	1	Filter
K4	35		3	Mount, Vibration
	36	56323260	1	Clamp, Hose Support
K3	37		2	Cage, Float
K3	38		1	Ball- Float
	39	56392171	1	Clamp, Plastic
	40	56396199	3	Clamp, Plastic
K1	41		2	Hinge Clamp
K5,K6	42		12	Washer Plain M6x24x2 Ss Iso7093
	43	1460771000	1	Clamp Hose 47-67 / 12
K2	44		1	Latch With Fold Away
	45	L08603682	2	Nut Lock Hex M6 Low Ss Iso10511

Service Kits

K1	56117990	1	Recovery Tank Lid Kit
K2	56117991	1	Filter Cover Kit
K3	56117992	1	Float Cage Kit
K4	56117993	1	Vacuum Motor Kit
K5	56117994	1	Lower Vacuum Exhaust Panel Kit
K6	56117995	1	Upper Vacuum Exhaust Panel Kit

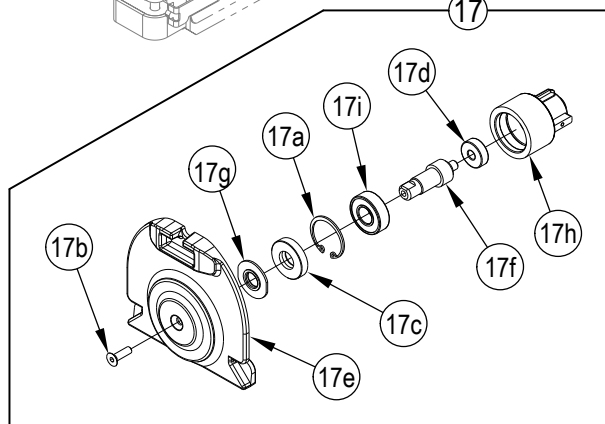
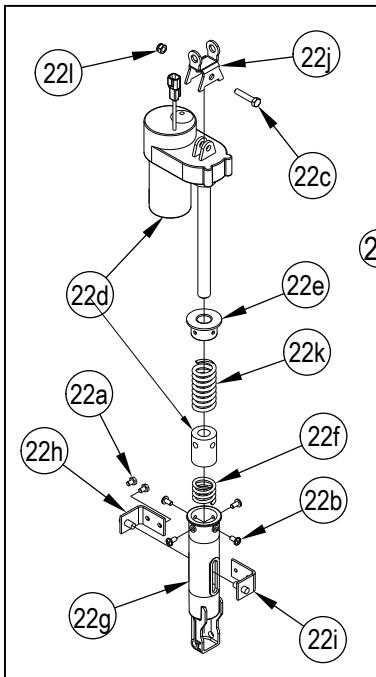
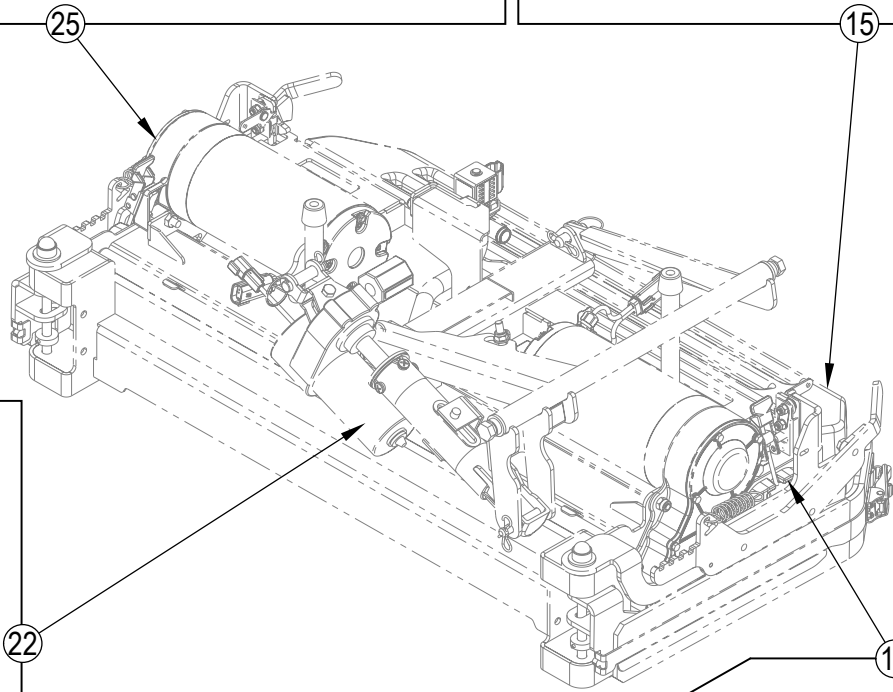
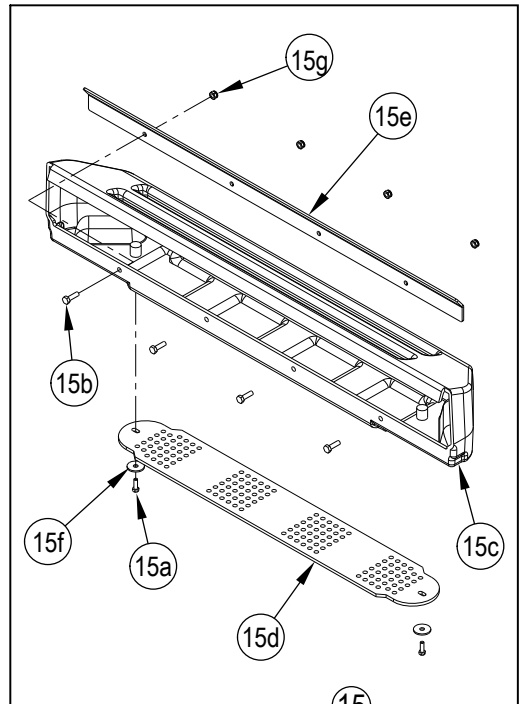
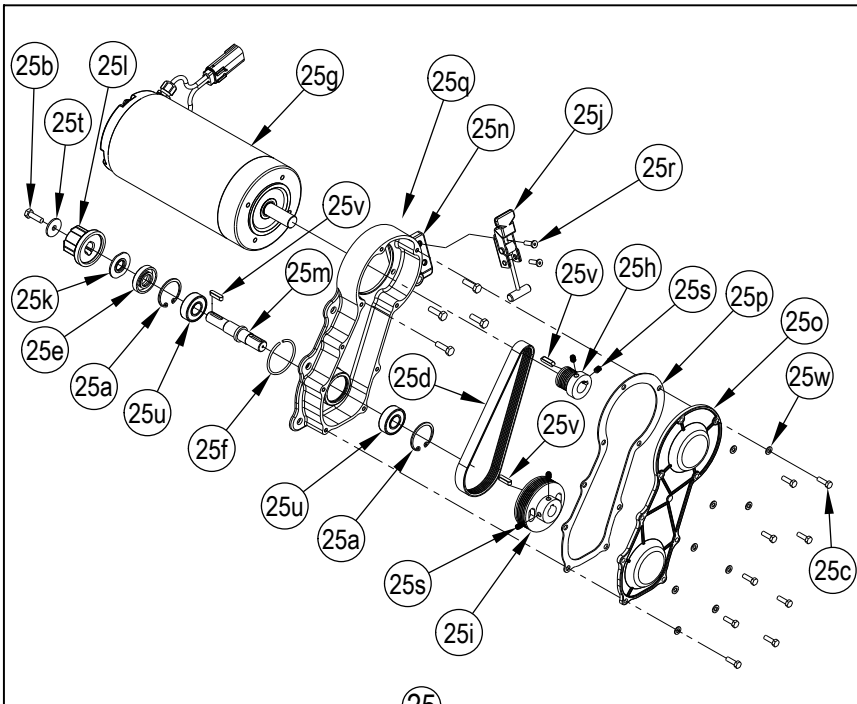
SCRUB SYSTEM-CYLINDRICAL-DECK ASSEMBLY-32C



SCRUB SYSTEM-CYLINDRICAL-DECK ASSEMBLY-32C

Kit	Item	Ref. No.	Qty	Description	Service Kits
K7,K8	1		2	Ring, Ret Ext Type E 0.50 Dia	K1 56117919 1 Cylindrical Deck Actuator Kit
	2	56003462	1	Scr-Hex Ss M8-1.25 X 120mm	K2 56117898 1 Solenoid Valve Kit
K1	3		1	Pin, Ring .50 X 1.63	K3 56117899 1 Up Stop Kit
K9	4	56003786	2	Pin, Ring .500 X 1.18	K4 56117900 1 32 Cyl Deck Weldment Kit
K1,K9	5		4	Pin-Bow-Tie Cot 7/16-1/2x.091	K5 56117901 1 Right Blade Kit
K8	6		4	Scr Hex M8x20 Ss W/Thd Lck	K6 56117902 1 Left Blade Kit
K4	7		2	Scr Hex M8x45 Ss W/Thd Lck	K7 56117903 1 Roller Wheel Kit
K9	8		2	Scr Hex M12x35 Ss W/Thd Lck	K8 56117915 1 Roller Kit
K2	9		6	Scr Trx M5x12 Skt Ss W/Thd Lck	K9 56117911 1 Deck Linkage Kit
K3	10		2	Scr Trx M5x20 Skt Ss W/Thd Lck	
K4,K5	11		2	Scr Hex M10x150 Sdlr W/Thd Lck	
K6					
	12	56004161	2	Scr Hex M5x20 Ss W/Thd Lck	[] = Not Shown
K1,K9	13		1	Pin-Clevis 10x70 Iso2341-B	
K8	14		1	Roller Weldment	
	15	56117313-SP	1	Hopper Assembly-32in (Pages 32-33)	
K4,K5	16	56117316-SP	2	Collar-10mmx25mmx8mm	
K6					
	17	56117318-SP	2	Idler Assembly-Cylindrical (Pages 32-33)	
	18	56117362-SP	1	Applicator Tube Assy-32 In	
K2	19	56117455-SP	1	Plate-Valve	
K3	20		2	Rod-Up Stop-20mm-148mm	
K5,K6	21	56117632-SP	2	Cap-Plastic-Black-Hex-17mm	
K1	22		1	Actuator Assy-Cyl Deck (Pages 32-33) (M7)	
K9	23		1	Deck Linkage Weldment	
K4	24		1	Cyl Deck Weldment-32in	
	25	56117759	2	Drive Assembly-Cyl-5.75in (Pages 32-33)	
K6	26		1	Blade Assembly-Cyl-Right (Pages 38-39)	
	27	56117772-SP	4	Guide-Wear	
K5	28		1	Blade Assembly-Cyl-Left (Pages 38-39)	
K5,K6	29	56117996-SP	2	Bushing-10mmx16mmx6mm	
K2	30		1	Valve-Solenoid-36vdc (L7)	
K7,K8	31		2	Bearing, Flange	
K9	32		2	Bushing	
	33	56384494	2	Clip-Mount-Tie Down	
K7,K8	34		1	Wheel, Roller	
K9	35		2	Bearing, Flange	
K3	36		2	Up Stop Mount	
K7,K8	37		1	Pin	
	38	56601686	2	Ferrite Bead	
	39	1450452000	1	Nut Lock Hex M8 Low Ss Iso10511	
K4	40		11	Nut Lock Hex M8 Ss Iso7040	
K4,K5	41		2	Screw Grub M5x10 Cup Point Iso4029	
K6					
K5,K6	42		2	Nut Lock Hex M10 Low Ss Iso10511	
K8	43		6	Washer Plain M8x16 Ss Iso7089	
K4,K5	44		4	Washer Plain M10x30 Ss Iso7093	
K6					

SCRUB SYSTEM-CYLINDRICAL-DECK ASSEMBLIES-32C



SCRUB SYSTEM-CYLINDRICAL-DECK ASSEMBLIES-32C

Kit	Item	Ref. No.	Qty	Description
	15	56117313-SP	1	Hopper Assembly-32in
K12	15a		2	Scr-Hex Loc Ss M5-0.8 X 16mm
	15b	56004084	4	Scr Hex M6x20 Ss W/Thd Lck
	15c	56117127	1	Hopper-Cylindrical-32in
K12	15d		1	Screen-Hopper-32in
	15e	56117314	1	Bracket-Hopper-32in
K12	15f		2	Washer Plain M6x24x2 Ss Iso7093
	15g	L08603682	4	Nut Lock Hex M6 Low Ss Iso10511

Kit	Item	Ref. No.	Qty	Description
	17	56117318-SP	2	Idler Assembly-Cylindrical
	17a	33006165	1	Ring D 35 Uni7437
	17b	33023604	1	Screw M6x20 C/Sunk Flat Hex Ss Iso10642
	17c	56117136-SP	1	Seal-Bearing-15mm X 35mm X 7mm
	17d	56117198-SP	1	Bearing-Ball-8mm X 24mm X 8mm
	17e	56117317-SP	1	Casting-Idler End-Cylindrical
	17f	56117563	1	Spindle-Idler End-Cylindrical
	17g	56117564-SP	1	Washer-Bearing
	17h	56117904	1	Lug-Idler-Cyl Deck
	17i	1452361000	1	Ball Bearing 6202 2rs1

Kit	Item	Ref. No.	Qty	Description
	22	56117647	1	Actuator Assy-Cyl Deck (M7)
	22a	56009019	2	Scr. Hex Thd Form 1/4-20 X .38
	22b	56009062	4	Scr. Pan Phil Thd Form 1/4-20 X .50
	22c	56116853	1	Screw M8x40 Uni5739 Ss
	22d	56117499-SP	1	Actuator-Deck
	22e	56396268	1	Spring Housing Guide
	22f	56412071	1	Compression Spring
	22g	56412262	1	Housing Spring
	22h	56420019	1	Nut Retainer
	22i	56420020	1	Nut Retainer
	22j	56601328	1	Yoke, Actuator
	22k	56601470	1	Compression Spring
	22l	1450452000	1	Nut Lock Hex M8 Low Ss Iso10511

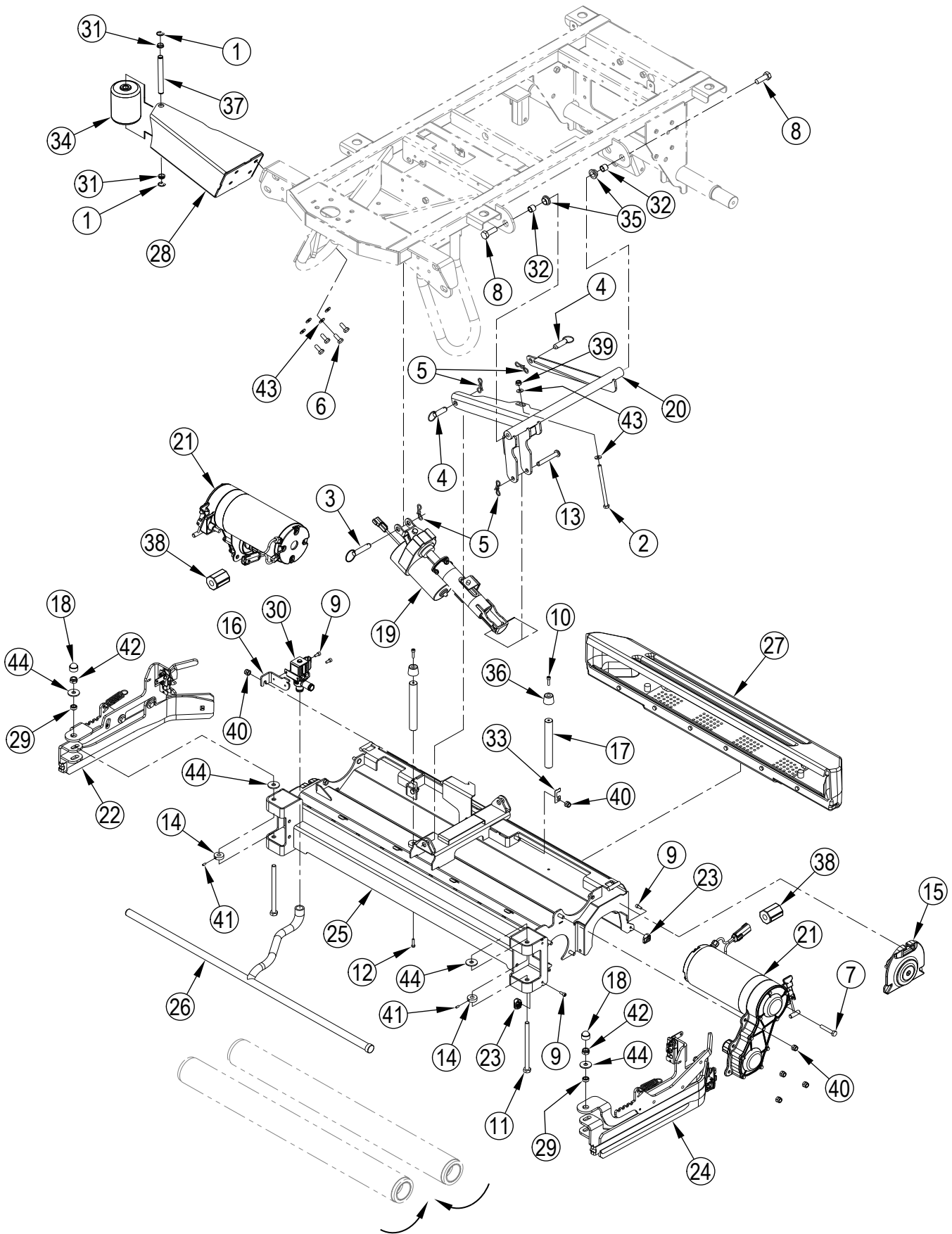
Kit	Item	Ref. No.	Qty	Description
	25	56117759	2	Drive Assembly-Cyl-5.75in
	25a	33006165	2	Ring D 35 Uni7437
K13	25b		5	Scr Hex M6x20 Ss W/Thd Lck
K16	25c		9	Scr Hex M5x16 Ss W/Thd Lck
K16	25d		1	Belt-Auto Tension
	25e	56117136-SP	1	Seal-Bearing-15mm X 35mm X 7mm
	25f	56117148-SP	1	Ring-Ret Ext-Round-45mm
K13	25g		1	Motor-36vdc-1900rpm-550w (M1, M2)
K15	25h		1	Sheave-Poly-V-27.25mm
K17	25i		1	Sheave-Poly V
K14	25j		1	Latch-Draw
	25k	56117564-SP	1	Washer-Bearing
	25l	56117565-SP	1	Lug-Drive End
	25m	56117566	1	Spindle-Drive End-Cylindrical
	25n	56117760-SP	1	Housing-Cylindrical Drive
K16	25o		1	Cover-Belt Housing
K16	25p	56117762-SP	1	Gasket-Drive Housing-Cyl
K14	25q	56117785-SP	1	Plate-Nut-Latch
K14	25r		2	Scr-Soc Hd-Low Prfl-M5x16-Znc
K15,K17	25s		4	Scr-Soc-Set Cup M6x8 Iso4029
	25t	1450493000	1	Washer Plain M6x24x2 Ss Iso7093
	25u	1452361000	2	Ball Bearing 6202 2rs1
K13,K15	25v		3	Key 5x5x20
K16	25w		9	Washer Plain M5x10 Ss Iso7089

Service Kits

K12	56117458	1	Hopper Screen Kit-32
K13	56117459	1	Motor Kit-Cyl Deck
K14	56117460	1	Latch Kit-Cyl
K15	56117461	1	Motor Sheave Kit
K16	56117462	1	Belt Auto Tension Kit
K17	56117463	1	Drive Sheave Kit

[] = Not Shown

SCRUB SYSTEM-CYLINDRICAL-DECK ASSEMBLY-36C



SCRUB SYSTEM-CYLINDRICAL-DECK ASSEMBLY-36C

Kit	Item	Ref. No.	Qty	Description
K7,K8	1		2	Ring, Ret Ext Type E 0.50 Dia
	2	56003462	1	Scr-Hex Ss M8-1.25 X 120mm
K1	3		1	Pin, Ring .50 X 1.63
K9	4		2	Pin, Ring .500 X 1.18
K1,K9	5		4	Pin-Bow-Tie Cot 7/16-1/2x.091
K8	6		4	Scr Hex M8x20 Ss W/Thd Lck
K4	7		2	Scr Hex M8x45 Ss W/Thd Lck
K9	8		2	Scr Hex M12x35 Ss W/Thd Lck
K2	9		6	Scr Trx M5x12 Skt Ss W/Thd Lck
K3	10		2	Scr Trx M5x20 Skt Ss W/Thd Lck
K4,K5	11		2	Scr Hex M10x150 Sdlr W/Thd Lck
K6				
	12	56004161	2	Scr Hex M5x20 Ss W/Thd Lck
K1,K9	13		1	Pin-Clevis 10x70 Iso2341-B
K4,K5	14	56117316-SP	2	Collar-10mmx25mmx8mm
K6				
	15	56117318-SP	2	Idler Assembly-Cylindrical (Pages 36-37)
K2	16	56117455-SP	1	Plate-Valve
K3	17		2	Rod-Up Stop-20mm-148mm
K5,K6	18	56117632-SP	2	Cap-Plastic-Black-Hex-17mm
K1	19		1	Actuator Assy-Cyl Deck (Pages 36-37) (M7)
K9	20		1	Deck Linkage Wldt 36-Cyl
	21	56117759	2	Drive Assembly-Cyl-5.75in (Pages 36-37)
K6	22		1	Blade Assembly-Cyl-Right (Pages 38-39)
	23	56117772-SP	4	Guide-Wear
K5	24		1	Blade Assembly-Cyl-Left (Pages 38-39)
K4	25	56117877-SP	1	36 Cyl Deck Weldment Assembly
	26	56117878-SP	1	Tube-Applicator-36 Cyl
	27	56117879-SP	1	36 Cyl Hopper Assembly (Pages 36-37)
K8	28	56117933-SP	1	36 Cyl Roller Weldment Assy
K5,K6	29	56117996-SP	2	Bushing-10mmx16mmx6mm
K2	30		1	Valve-Solenoid-36vdc L7
K7,K8	31		2	Bearing, Flange
K9	32		2	Bushing
	33	56384494	2	Clip-Mount-Tie Down

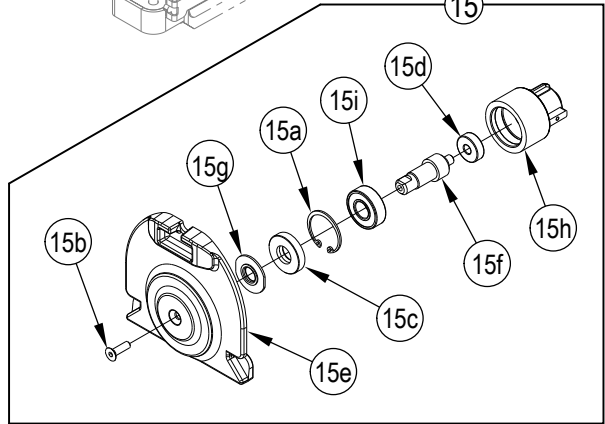
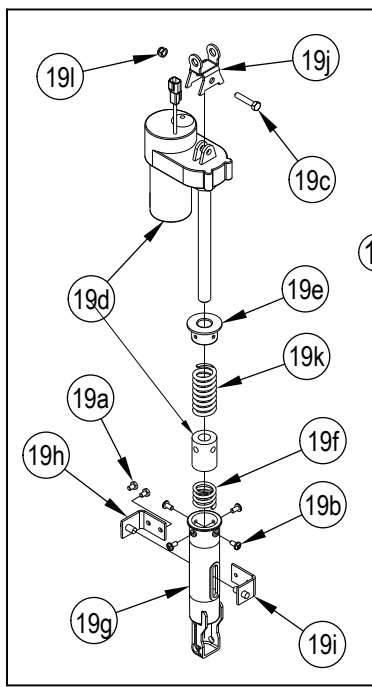
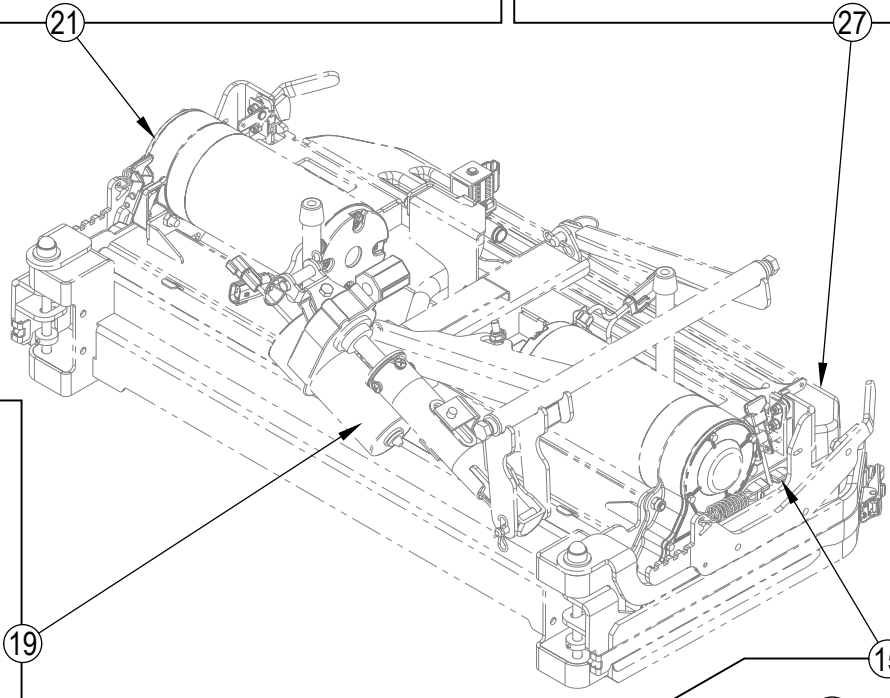
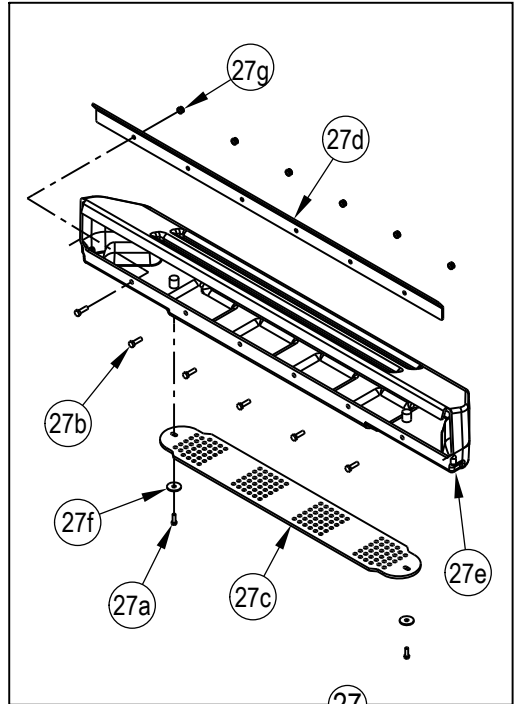
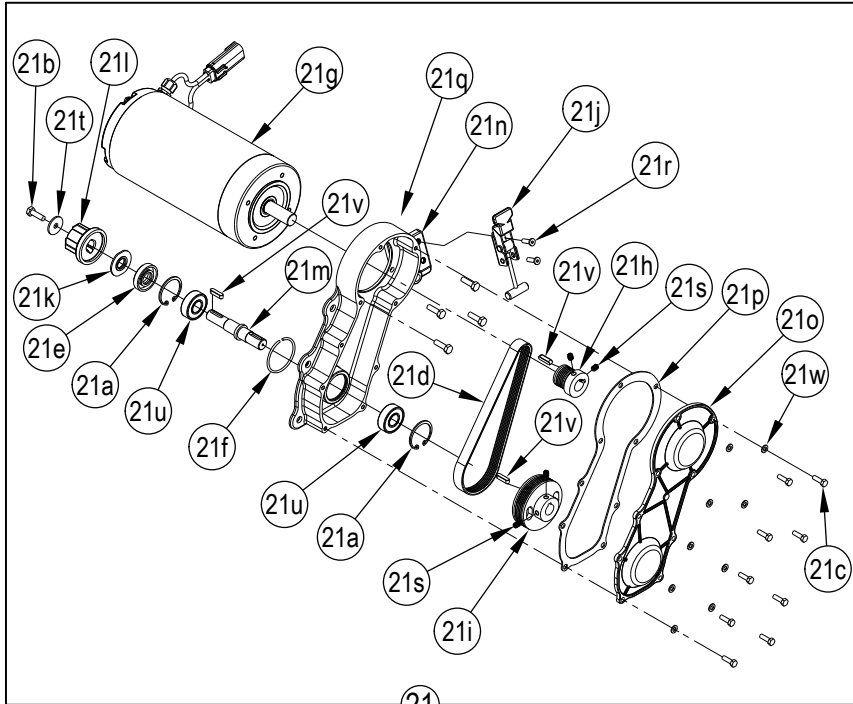
Kit	Item	Ref. No.	Qty	Description
K7,K8	34		1	Wheel, Roller
K9	35		2	Bearing, Flange
K3	36		2	Up Stop Mount
K7,K8	37		1	Pin
	38	56601686	2	Ferrite Bead
	39	1450452000	1	Nut Lock Hex M8 Low Ss Iso10511
K4	40		11	Nut Lock Hex M8 Ss Iso7040
K4,K5	41		2	Screw Grub M5x10 Cup Point Iso4029
K6				
K5,K6	42		2	Nut Lock Hex M10 Low Ss Iso10511
K8	43		6	Washer Plain M8x16 Ss Iso7089
K4,K5	44		4	Washer Plain M10x30 Ss Iso7093
K6				

Service Kits

Kit	Item	Ref. No.	Qty	Description
K1		56117919	1	Cylindrical Deck Actuator Kit
K2		56117898	1	Solenoid Valve Kit
K3		56117899	1	Up Stop Kit
K4		56120472	1	36 Cyl Deck Weldment Kit
K5		56117901	1	Right Blade Kit
K6		56117902	1	Left Blade Kit
K7		56117903	1	Roller Wheel Kit
K8		56120473	1	Roller Kit
K9		56120474	1	Deck Linkage Kit

[] = Not Shown

SCRUB SYSTEM-CYLINDRICAL-DECK ASSEMBLIES-36C



SCRUB SYSTEM-CYLINDRICAL-DECK ASSEMBLIES-36C

Kit	Item	Ref. No.	Qty	Description
	15	56117318-SP	2	Idler Assembly-Cylindrical
	15a	33006165	1	Ring D 35 Uni7437
	15b	33023604	1	Screw M6x20 C/Sunk Flat Hex Ss Iso10642
	15c	56117136-SP	1	Seal-Bearing-15mm X 35mm X 7mm
	15d	56117198-SP	1	Bearing-Ball-8mm X 24mm X 8mm
	15e	56117317-SP	1	Casting-Idler End-Cylindrical
	15f	56117563	1	Spindle-Idler End-Cylindrical
	15g	56117564-SP	1	Washer-Bearing
	15h	56117904	1	Lug-Idler-Cyl Dec
	15i	1452361000	1	Ball Bearing 6202 2rs1

Kit	Item	Ref. No.	Qty	Description
	19	56117647	1	Actuator Assy-Cyl Deck (M7)
	19a	56009019	2	Scr. Hex Thd Form 1/4-20 X .38
	19b	56009062	4	Scr. Pan Phil Thd Form 1/4-20 X .50
	19c	56116853	1	Screw M8x40 Uni5739 Ss
	19d	56117499-SP	1	Actuator-Deck
	19e	56396268	1	Spring Housing Guide
	19f	56412071	1	Compression Spring
	19g	56412262	1	Housing Spring
	19h	56420019	1	Nut Retainer
	19i	56420020	1	Nut Retainer
	19j	56601328	1	Yoke, Actuator
	19k	56601470	1	Compression Spring
	19l	1450452000	1	Nut Lock Hex M8 Low Ss Iso10511

Kit	Item	Ref. No.	Qty	Description
	21	56117759	2	Drive Assembly-Cyl-5.75in
K18	21a		2	Ring D 35 Uni7437
K13	21b		5	Scr Hex M6x20 Ss W/Thd Lck
K16	21c		9	Scr Hex M5x16 Ss W/Thd Lck
K16	21d		1	Belt-Auto Tension
K18	21e	56117136-SP	1	Seal-Bearing-15mm X 35mm X 7mm
K18	21f	56117148-SP	1	Ring-Ret Ext-Round-45mm
K13	21g		1	Motor-36vdc-1900rpm-550w
K15	21h		1	Sheave-Poly-V-27.25mm
K17	21i		1	Sheave-Poly V
K14	21j		1	Latch-Draw
K18	21k	56117564-SP	1	Washer-Bearing
	21l	56117565-SP	1	Lug-Drive End
K18	21m		1	Spindle-Drive End-Cylindrical
K18	21n	56117760-SP	1	Housing-Cylindrical Drive
K16	21o		1	Cover-Belt Housing
K16	21p	56117762-SP	1	Gasket-Drive Housing-Cyl
K14	21q	56117785-SP	1	Plate-Nut-Latch
K14	21r		2	Scr-Soc Hd-Low Prfl-M5x16-Znc
K15,K17	21s		4	Scr-Soc-Set Cup M6x8 Iso4029
	21t	1450493000	1	Washer Plain M6x24x2 Ss Iso7093
K18	21u		2	Ball Bearing 6202 2rs1
K13,K15	21v		3	Key 5x5x20
K17				
K16	21w		9	Washer Plain M5x10 Ss Iso7089

Kit	Item	Ref. No.	Qty	Description
	27	56117879-SP	1	36 Cyl Hopper Assembly
K12	27a		2	Scr-Hex Loc Ss M5-0.8 X 16mm
	27b	56004084	6	Scr Hex M6x20 Ss W/Thd Lck
K12	27c		1	Screen-Hopper-32in
	27d	56117880-SP	1	Bracket-Hopper-36 Cyl
	27e	56117881-SP	1	Hopper-36 Cyl
K12	27f		2	Washer Plain M6x24x2 Ss Iso7093
	27g	L08603682	6	Nut Lock Hex M6 Low Ss Iso10511

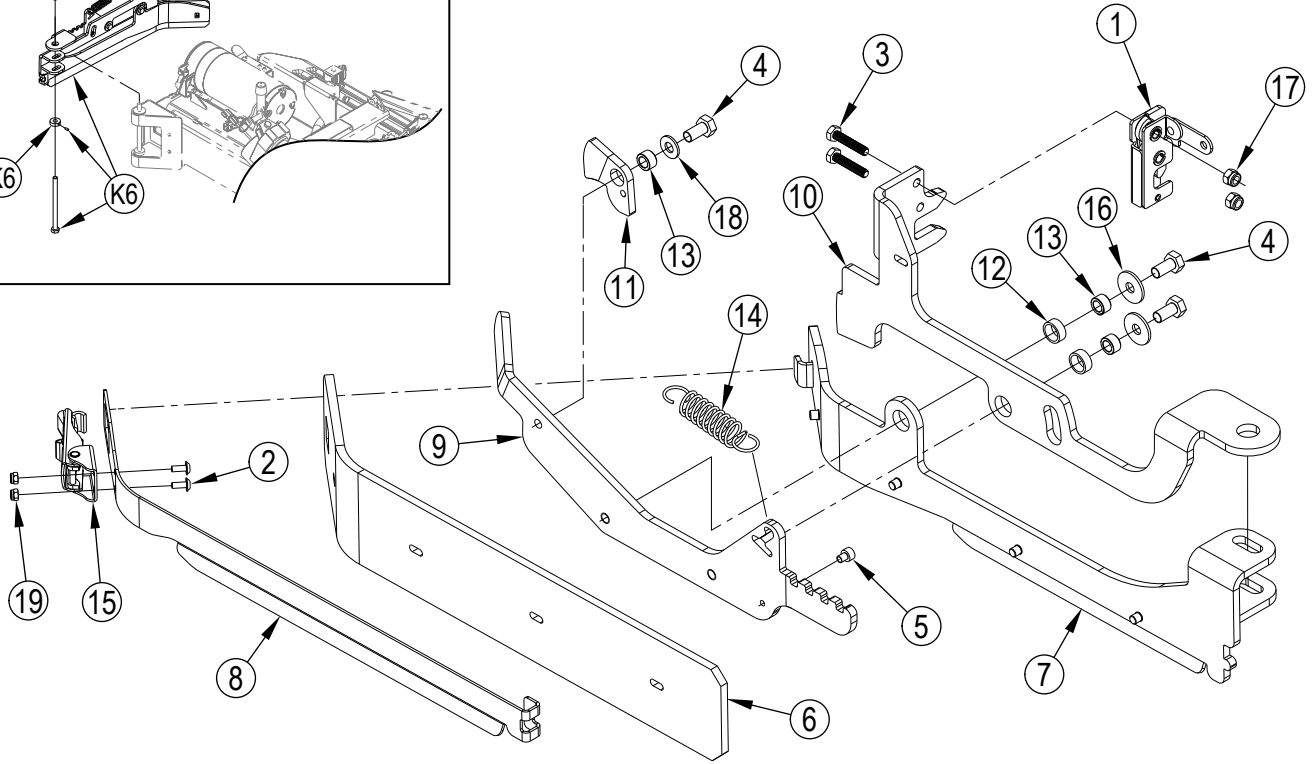
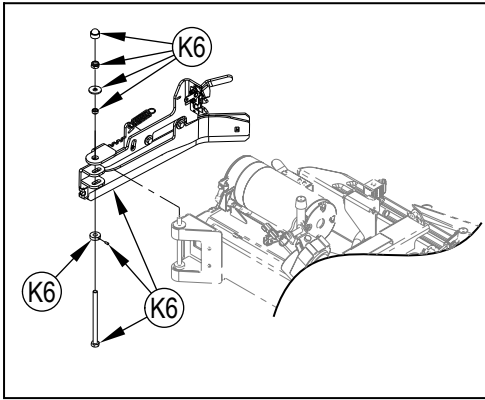
Service Kits

K12	56117458	1	Hopper Screen Kit-32C/36C
K13	56117459	1	Motor Kit-Cyl Deck
K14	56117460	1	Latch Kit-Cyl
K15	56117461	1	Motor Sheave Kit
K16	56117462	1	Belt Auto Tension Kit
K17	56117463	1	Drive Sheave Kit
K18	56120333	1	Drive Housing Kit-Cyl-5.75 IN

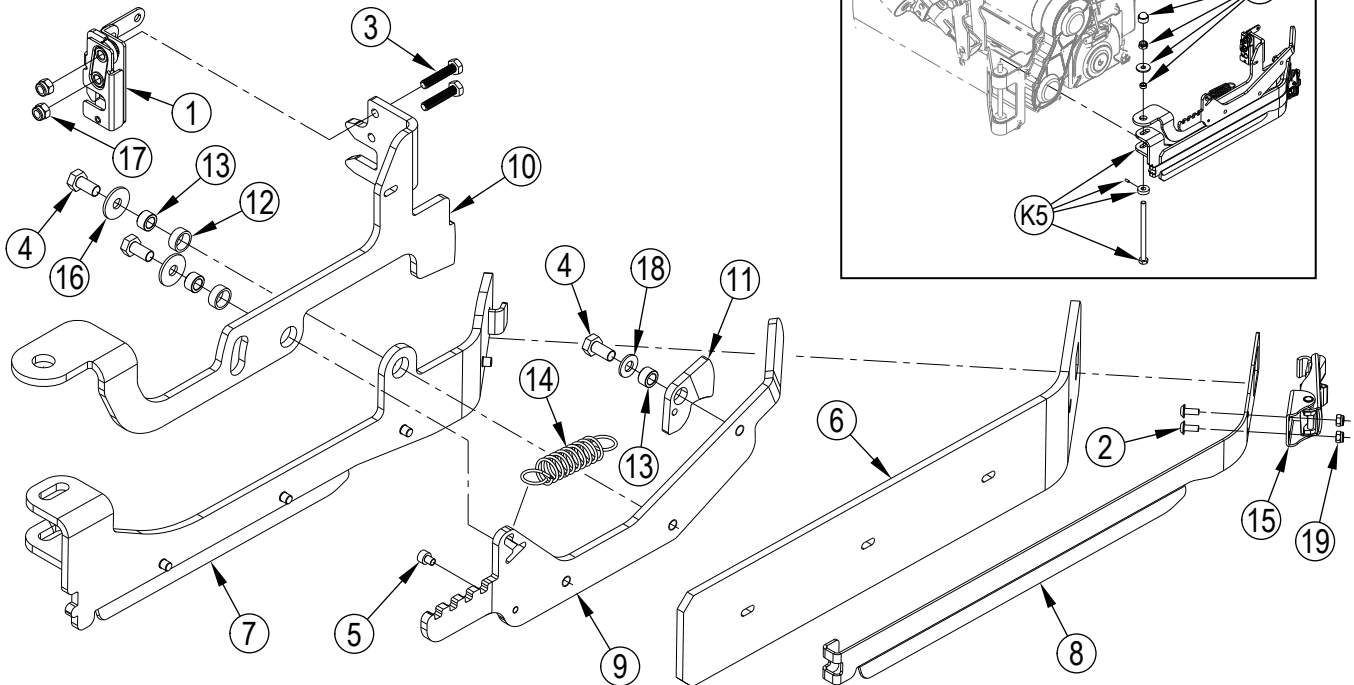
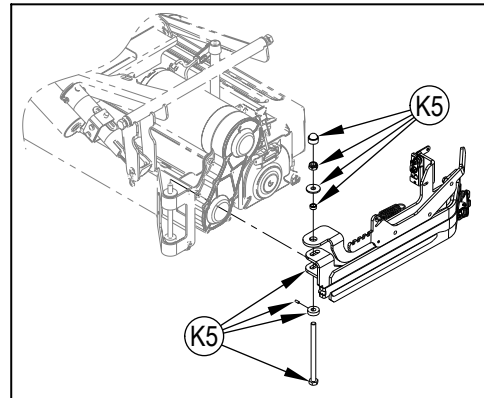
[] = Not Shown

SCRUB SYSTEM-CYLINDRICAL-SIDE BLADE ASSEMBLIES

RIGHT SIDE BLADE ASSEMBLY



LEFT SIDE BLADE ASSEMBLY



SCRUB SYSTEM-CYLINDRICAL-SIDE BLADE ASSEMBLIES

Kit	Item	Ref. No.	Qty	Description
K6			1	Right Blade Kit
	1	33017127	1	Latch Rotary
K11	2		2	Scr Trx M4x10 Bk Zc W/Thd Lck
	3	56004124	2	Scr Hex M6x30 Ss W/Thd Lck
	4	56004128	3	Scr Hex M8x16 Ss W/Thd Lck
	5	56004129	1	Scr Trx M5x6 Skt Ss W/Thd Lck
	6	56117309-SP	1	Blade-Cylindrical-Linatex
	7	56117768-SP	1	Blade Mount Weldment-Cyl-Right
K11	8		1	Strap-Side Blade-Cyl-Right
	9	56117950-SP	1	Arm-Lift-Blade-Cyl-Right
	10	56117952-SP	1	Arm-Carrier-Blade-Cyl-Right
	11	56117987-SP	1	Plate-Latch
	12	56185263	2	Bearing, Sleeve
	13	56320595	3	Bushing .32x.50x.28
	14	56470672	1	Spring, Extension
K11	15		1	Latch Assembly
	16	1458395000	2	Washer 8x24x2 Uni6593 Ss
	17	1460496000	2	Nut Lock Hex M6 Ss Iso7040
	18	L08603207	1	Washer Plain M8x16 Ss Iso7089
K11	19		2	Nut Lock Hex M4 Low Ss Iso10511

Service Kits

K6	56117902	1	Right Blade Kit
K11	56117238	1	Rh Strap Kit-Cyl

* = Optional, Not Included

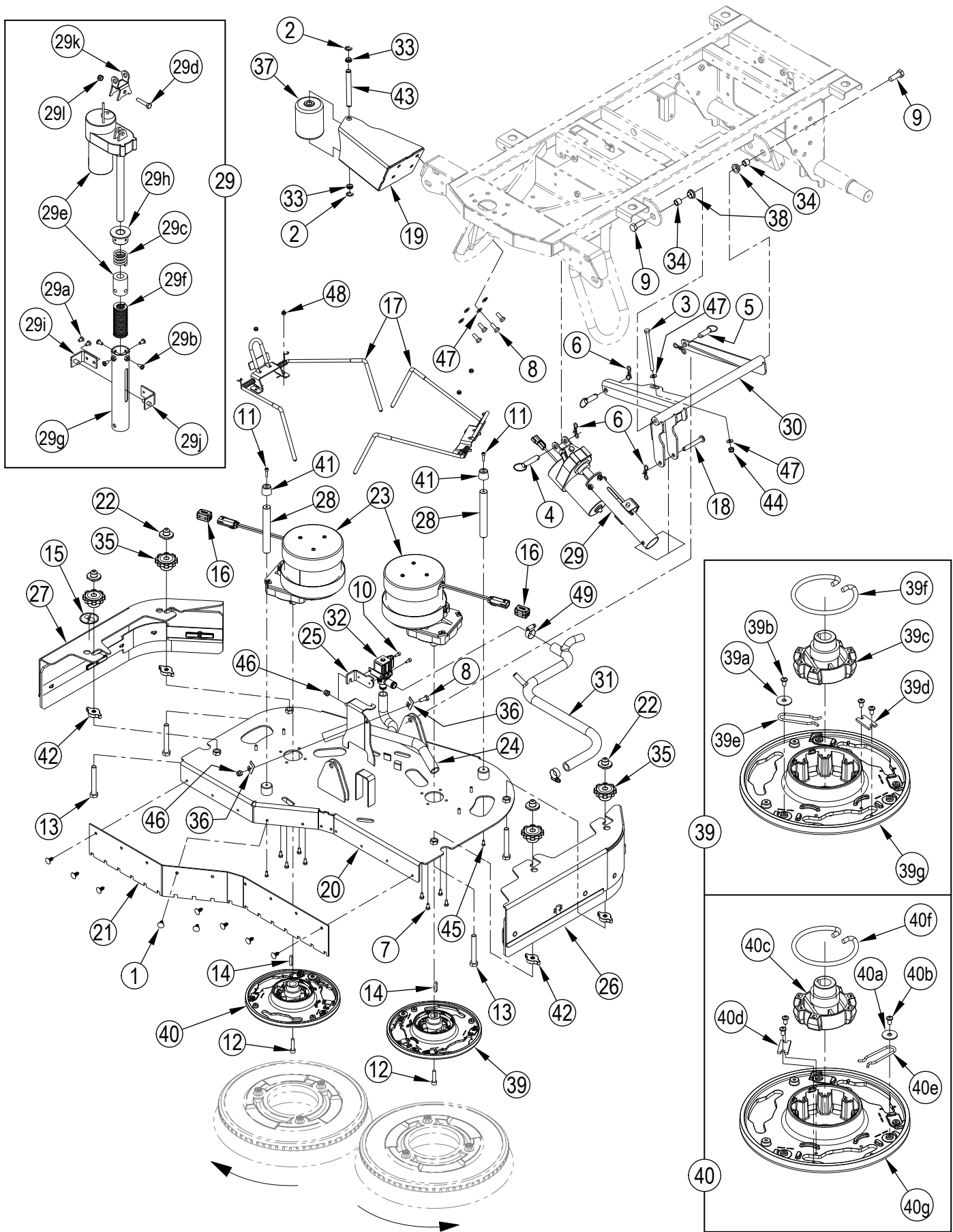
Kit	Item	Ref. No.	Qty	Description
K5			1	Left Blade Kit
	1	33017127	1	Latch Rotary
K10	2		2	Scr Trx M4x10 Bk Zc W/Thd Lck
	3	56004124	2	Scr Hex M6x30 Ss W/Thd Lck
	4	56004128	3	Scr Hex M8x16 Ss W/Thd Lck
	5	56004129	1	Scr Trx M5x6 Skt Ss W/Thd Lck
	6	56117309-SP	1	Blade-Cylindrical-Linatex
	7	56117778-SP	1	Blade Mount Weldment-Cyl-Left
K10	8		1	Strap-Side Blade-Cyl-Left
	9	56117951-SP	1	Arm-Lift-Blade-Cyl-Left
	10	56117953-SP	1	Arm-Carrier-Blade-Cyl-Left
	11	56117987-SP	1	Plate-Latch
	12	56185263	2	Bearing, Sleeve
	13	56320595	3	Bushing .32x.50x.28
	14	56470672	1	Spring, Extension
K10	15		1	Latch Assembly
	16	1458395000	2	Washer 8x24x2 Uni6593 Ss
	17	1460496000	2	Nut Lock Hex M6 Ss Iso7040
	18	L08603207	1	Washer Plain M8x16 Ss Iso7089
K10	19		2	Nut Lock Hex M4 Low Ss Iso10511

Service Kits

K5	56117901	1	Left Blade Kit
K10	56117252	1	Lh Strap Kit-Cyl

* = Optional, Not Included

SCRUB SYSTEM-DISC-DECK ASSEMBLY-34D



SCRUB SYSTEM-DISC-DECK ASSEMBLY-34D

Kit	Item	Ref. No.	Qty	Description
K8,K11	1		9	Rivet, Nylon Tree Push-In (.25)
K10,K16	2		2	Ring, Ret Ext Type E 0.50 Dia
	3	56003462	1	Scr-Hex Ss M8-1.25 X 120mm
K5	4		1	Pin, Ring .50 X 1.63
K7	5		2	Pin, Ring .500 X 1.18
K5,K7	6		4	Pin-Bow-Tie Cot 7/16-1/2x.091
K4,K8	7		8	Scr Hex M6x12 Ss W/Thd Lck
K8,K10	8		5	Scr Hex M8x20 Ss W/Thd Lck
K7	9		2	Scr Hex M12x35 Ss W/Thd Lck
K3	10		2	Scr Trx M5x12 Skt Ss W/Thd Lck
K2	11		2	Scr Trx M5x20 Skt Ss W/Thd Lck
K4,K8	12		2	Scr Trx M8x35 Skt Ss W/Thd Lck
K12,K13				
K6,K8	13		4	Scr Hex M12x90 Ss Iso4017
K9				
	14	56004159	2	Key Sq .25 X 1.25 Rnd
K9	15		1	Decal, No Step
	16	56115456	2	Ferrite Bead
K1	17		2	Click-On Assembly-34d
K5,K7	18		1	Pin-Clevis 10x70 Iso2341-B
K10	19		1	Roller Weldment
K8	20		1	Scrub Deck Weldment-34d
K11	21		1	Blade-Front-34d
K6,K9	22	56117320-SP	4	Cap-Side Skirt Holder
K4	23		2	Motor-36vdc-250rpm-1hp (M1, M2)
K4,K8	[]		1	Key, Square 1.25 X 1.44
K12,K13				
	24	56117333-SP	1	Hose-Solution Feed Disc-28/34
K3	25	56117455-SP	1	Plate-Valve
K6	26		1	Left Side Skirt Assy-34d (Pages 42-43)
K9	27		1	Right Side Skirt Assy-34d(Pages 42-43)
K2	28		2	Rod-Up Stop-20mm-148mm
K5	29		1	Actuator Assy-Disk Deck (M7)
	29a	56009019	2	Scr, Hex Thd Form 1/4-20 X .38
	29b	56009062	4	Scr, Pan Phil Thd Form 1/4-20 X .50
	29c	56116848	1	Spring-Compression 1.40x1.40in
	29d	56116853	1	Screw M8x40 Uni5739 Ss
	29e	56117499-SP	1	Actuator-Deck
	29f	56118039	1	Spring-Compression-1.44x3.50in
	29g	56118194	1	Spring Housing Weldment
	29h	56396268	1	Spring Housing Guide
	29i	56420019	1	Nut Retainer
	29j	56420020	1	Nut Retainer
	29k	56601328	1	Yoke, Actuator
	29l	1450452000	1	Nut Lock Hex M8 Low Ss Iso10511

Kit	Item	Ref. No.	Qty	Description
K7	30		1	Deck Linkage Weldment
	31	56117786	1	Manifold Hose Assembly
K3	32		1	Valve-Solenoid-36vdc (L7)
K10,K16	33		2	Bearing, Flange
K7	34		2	Bushing
K6,K9	35		4	Knob - M12-1.75 Thru
K8	36		2	Clip-Mount-Tie Down
K10,K16	37		1	Wheel, Roller
K7	38		2	Bearing, Flange
K13	39		1	Brush Plate Assy
	39a	56009002	1	Wsh, Flt .266 X .906 X .060
	39b	56009247	3	Scr.Pan Phil Plastite
	39c	56112521	1	Gimbal-Collar Assembly
	39d	56366455	1	Plate, Stop
	39e	56366463	1	Spring Retainer
	39f	56601056	1	Spring, Brush Holder
	39g	56601118	1	Brush Plate
K12	40		1	Brush Plate Assy
	40a	56009002	1	Wsh, Flt .266 X .906 X .060
	40b	56009247	3	Scr.Pan Phil Plastite
	40c	56112521	1	Gimbal-Collar Assembly
	40d	56366455	1	Plate, Stop
	40e	56366463	1	Spring Retainer
	40f	56601056	1	Spring, Brush Holder
	40g	56601118	1	Brush Plate
K2	41		2	Up Stop Mount
K6,K9	42		4	Knob
K10,K16	43		1	Pin
	44	1450452000	1	Nut Lock Hex M8 Low Ss Iso10511
K2,K8	45		2	Screw M5x12 Hex Hd F/Thd Ss
K8	46		2	Nut Lock Hex M8 Ss Iso7040
K10	47		6	Washer Plain M8x16 Ss Iso7089
K1	48		4	Nut Lock Hex M6 Low Ss Iso10511
	49	L08603916	2	Clamp 12/16-27

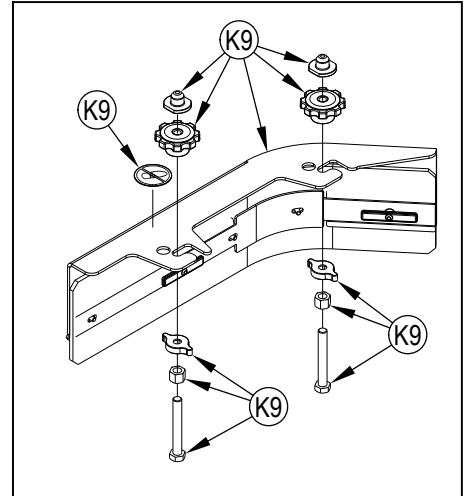
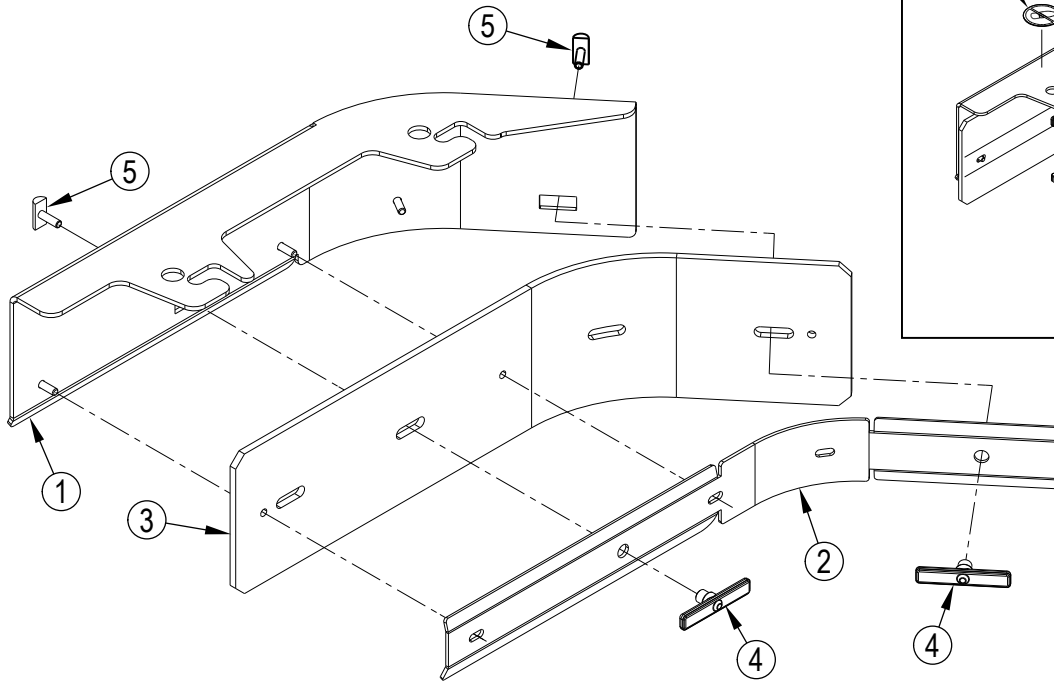
Service Kits

K1	56117905	1	Click-On Kit
K2	56117473	1	Up Stop Kit
K3	56117898	1	Solenoid Valve Kit
K4	56117908	1	Motor Kit
K5	56117909	1	Disk Deck Actuator Kit
K6	56117910	1	Left Skirt Kit
K7	56117911	1	Deck Linkage Kit
K8	56117912	1	Disc Deck Weldment Kit
K9	56117913	1	Disc Right Skirt Kit
K10	56117915	1	Roller Kit
K11	56117916	1	Front Blade Kit
K12	56117917	1	Right Brush Plate Kit
K13	56117918	1	Left Brush Plate Kit
K14	56117214	1	Rh Strap Kit-Disk
K15	56117219	1	Lh Strap Kit-Disk
K16	56117903	1	Roller Wheel Kit

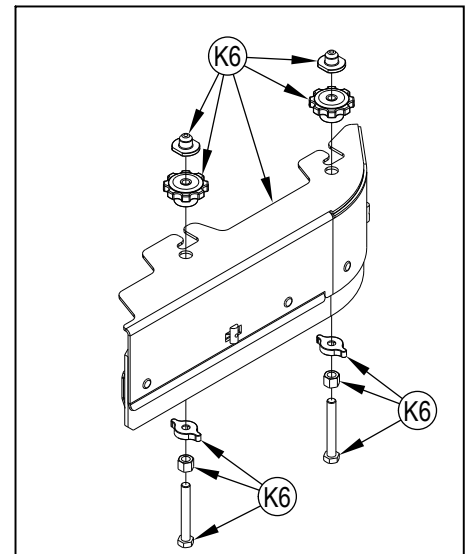
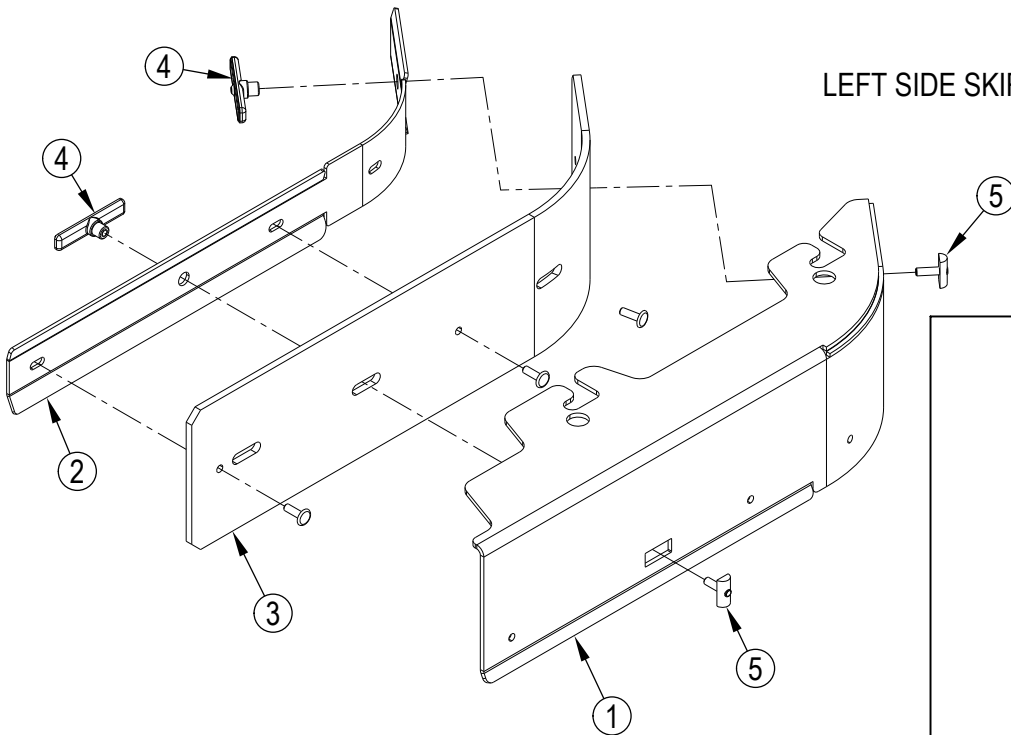
[] = Not Shown

SCRUB SYSTEM-DISC-SIDE SKIRT ASSEMBLIES

RIGHT SIDE SKIRT ASSEMBLY



LEFT SIDE SKIRT ASSEMBLY



SCRUB SYSTEM-DISC-SIDE SKIRT ASSEMBLIES

<u>Kit</u>	<u>Item</u>	<u>Ref. No.</u>	<u>Qty</u>	<u>Description</u>
K9			1	Disc Right Skirt Kit
	1	56117497	1	Rt Fixed Side Blade Weldt-34d
K14	2		1	Strap-Right-34d
	3	56117627	1	Blade-Deck-34d-Linatex
K14	4		2	Thumb Nut
	5	56413850	2	Skirt Retainer Assy

Service Kits

K9	56117913	1	Disc Right Skirt Kit
K14	56117214	1	Rh Strap Kit-Disk

* = Optional, Not Included

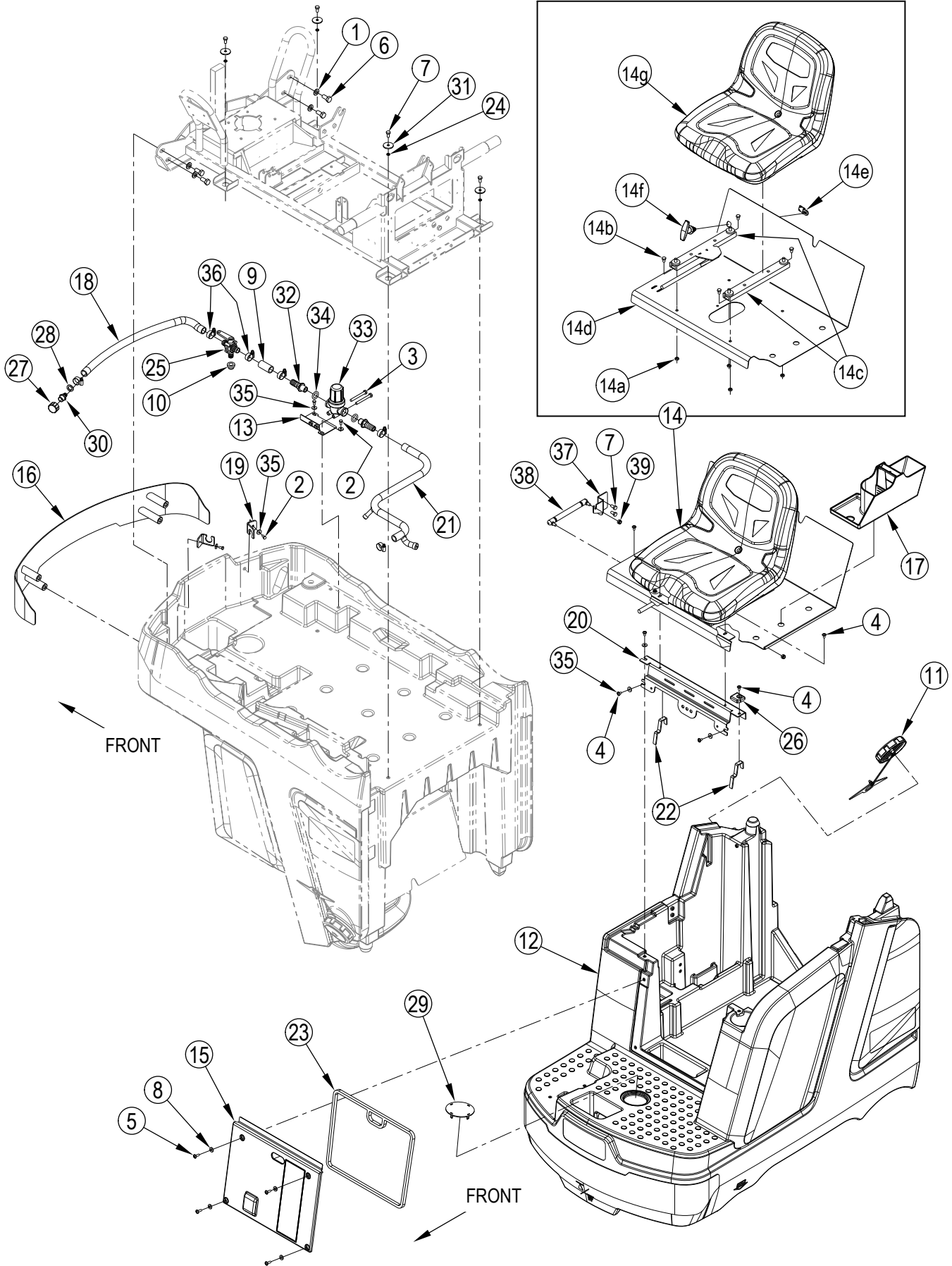
<u>Kit</u>	<u>Item</u>	<u>Ref. No.</u>	<u>Qty</u>	<u>Description</u>
K6			1	Left Skirt Kit
	1	56117494	1	Lt Fixed Side Blade Weldt-34d
K15	2		1	Strap-Left-34d
	3	56117627	1	Blade-Deck-34d-Linatex
K15	4		2	Thumb Nut
	5	56413850	2	Skirt Retainer Assy

Service Kits

K6	56117910	1	Left Skirt Kit
K15	56117219	1	Lh Strap Kit-Disk

* = Optional, Not Included

SOLUTION SYSTEM



SOLUTION SYSTEM

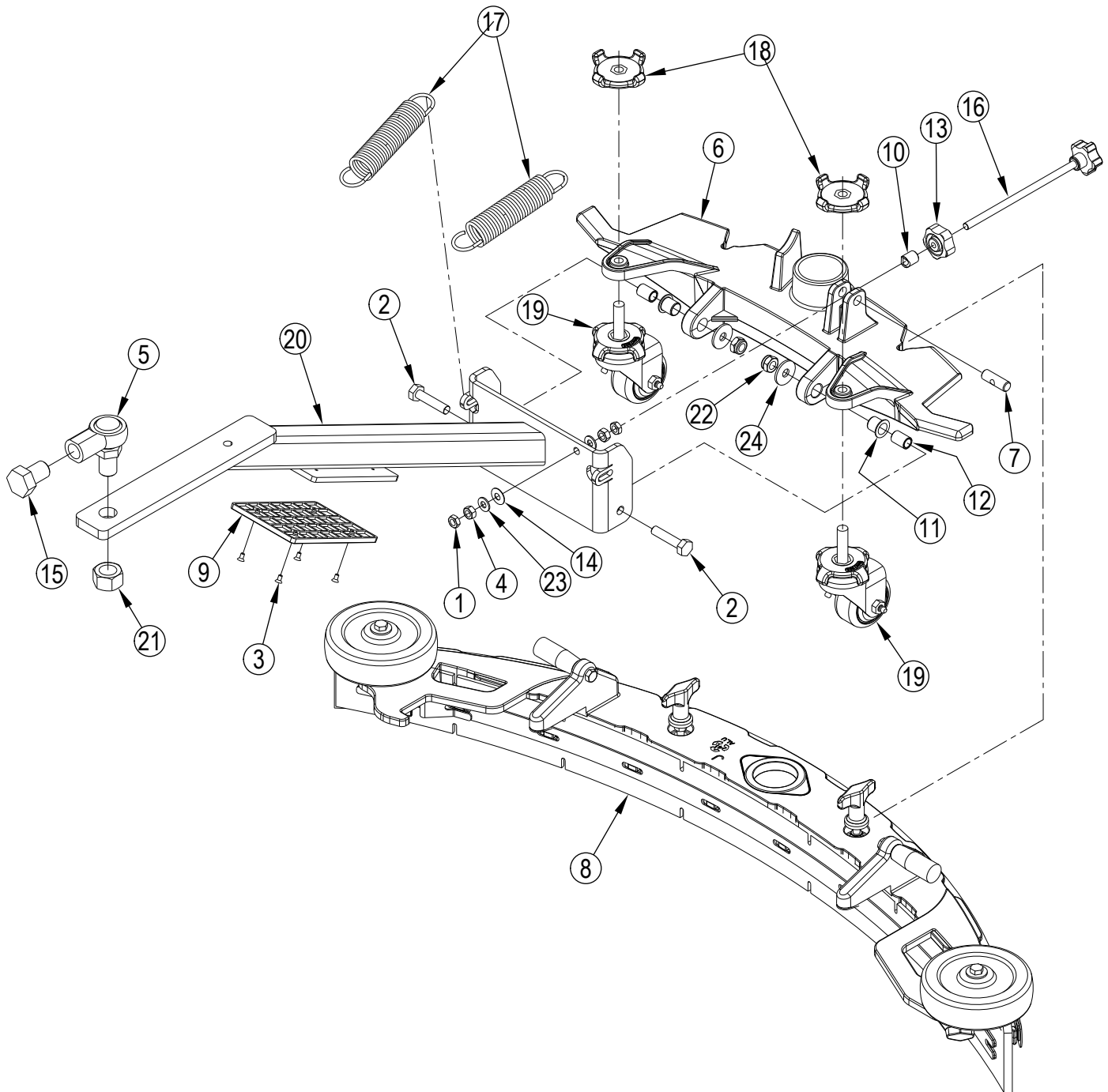
Kit	Item	Ref. No.	Qty	Description
K1,K9	1		4	Washer Plain M12x24 Iso7089
K5	2		4	Scr Hex M6x12 Ss W/Thd Lck
K5	3		2	Scr Hex M8x70 Ss Wthd Lck
K8	4		6	Scr Trx M6x12 W/Thd Lck Blk
K7	5		4	Scr Trx M6x20 W/Thd Lck Blk
K1,K9	6		4	Scr Hex M12x25 Ss W/Thd Lck
K9	7		6	Scr Hex M8x16 Ss W/Thd Lck
	8	56004155	4	Wshr-17odx8idx1.3 Din125a Blk
K3	9		1	Hose-20x26x52mm
K9	10		1	Grommet-.59x.78x.62
	11	56116763	1	Solution Cap Assembly
K9	12		1	Tank-Solution
K5	13		1	Bracket-Filter Mount
	14	56117392	1	Seat Mount Assembly
	14a	33005533	4	Nut, Hex Thin M8
	14b	56004086	4	Scr Hex M8x12 Ss W/Thd Lck
	14c	56109300	1	Slide Kit, No Studs
	14d	56120175-SP	1	Seat Mount Weldment
	14e	56117794-SP	1	Latch-Offset Cam-Steel
	14f	56117795-SP	1	Latch-Handle-Quarter Turn
	14g	56394342	1	Seat-Mid Back-11.25in Mount
K7	15		1	Cover-Electrical Panel
K1	16		1	Bumper Weldment
	17	56117457-SP	1	Box-Storage
K2	18		1	Hose-Drain
	19	56117488-SP	2	Clip-Hose-25 Mm
K8	20		1	Bracket-Seat Mount
K6	21		1	Manifold Hose Assembly
K8	22	56117792-SP	2	Gasket-Cross Bar
K7	23	56117793-SP	1	Gasket-Electrical Cover
	24	56117828-SP	4	Spacer-Chassis
K3	25		1	Valve-Ball-5/8x3/4in Barb
	26	56117965-SP	1	Cover-Cross Bar
K2	27		1	Cap, Pipe Ght Nylon
K2	28		1	Washer-Rubber
	29	56412263	1	Cap-Spindle
K2	30		1	Barb
K9	31		4	Washer Plain M8x38x3 Galv.
K4	32		2	Barb Hose Straight D.19.8 G1/2
K4	33		1	Filter Water
K4	34		2	O-Ring 5x20 Metric Nbr 70sh
K5,K8	35		7	Washer Plain M6x18 Iso7093
K2,K3	36		6	Clamp 12/16-27
	37	56120176	1	Bracket-Gas Strut
K10	38		1	Spring-Gas
K10	39		2	Nut Lock Hex M8 Low Ss Iso10511

[] = Not Shown

Service Kits

K1	56117935	1	Bumper Kit
K2	56117936	1	Drain Hose Kit
K3	56117925	1	Ball Valve Kit
K4	56117926	1	Water Filter Kit
K5	56117927	1	Filter Mount Kit
K6	56117928	1	Manifold Hose Kit
K7	56117929	1	Cover Gasket Kit
K8	56117930	1	Seat Mount Kit
K9	56117184	1	Solution Tank Kit
K10	56120189	1	Gas Strut Kit

SQUEEGEE SYSTEM



SQUEEGEE SYSTEM

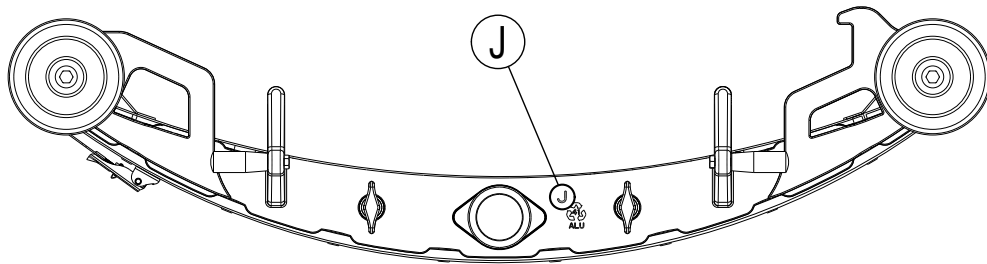
Kit	Item	Ref. No.	Qty	Description
	1	33005533	2	Nut, Hex Thin M8
	2	33022204	2	Screw M10x45 Hex Hd F/Thd Ss Iso4017
K2	3		4	Scr-Fit Phil Ss M4-0.7 X 8mm
	4	56003989	2	Nut, Hex Ss Metric
K1	5		1	Rod End-20mm
	6	56116393	1	Mount-Squeegee
	7	56116397	1	Pin-Squeegee Tilt
	8	56116399	1	Squeegee Assembly-J
32c, 36c Cylindrical Model & 34d Disc Model Note 1				
K2	9		1	Wear Plate-Squeegee
	10	56116407	1	Spacer-Squeegee Tilt
	11	56116487	2	Bearing-Flange-14x16x17mm
	12	56116488	2	Bushing
	13	56116552	1	Knob-M8-Lobe Short
	14	56116769	1	Washer-Bevel-8.2x20x0.7x1.35mm
K1	15		1	Screw M20-1.5x30 Din961 8.8
	16	56116906	1	Tilt Rod Assembly
	17	56116974	2	Spring-Extension
	18	56117302-SP	2	Knob-Squeegee-M12
	19	56117356-SP	2	Caster Assembly
	20	56117489-SP	1	Squeegee Arm Weldment
K1	21		1	Nut-Hex M20x1.5 Iso8673 8.8
	22	9096013000	2	Nut Lock Hex M10 Low Ss Iso10511
	23	L08603207	2	Washer Plain M8x16 Ss Iso7089
	24	L08812336	2	Washer Flat XI 10x30x2.5-Ss

Service Kits

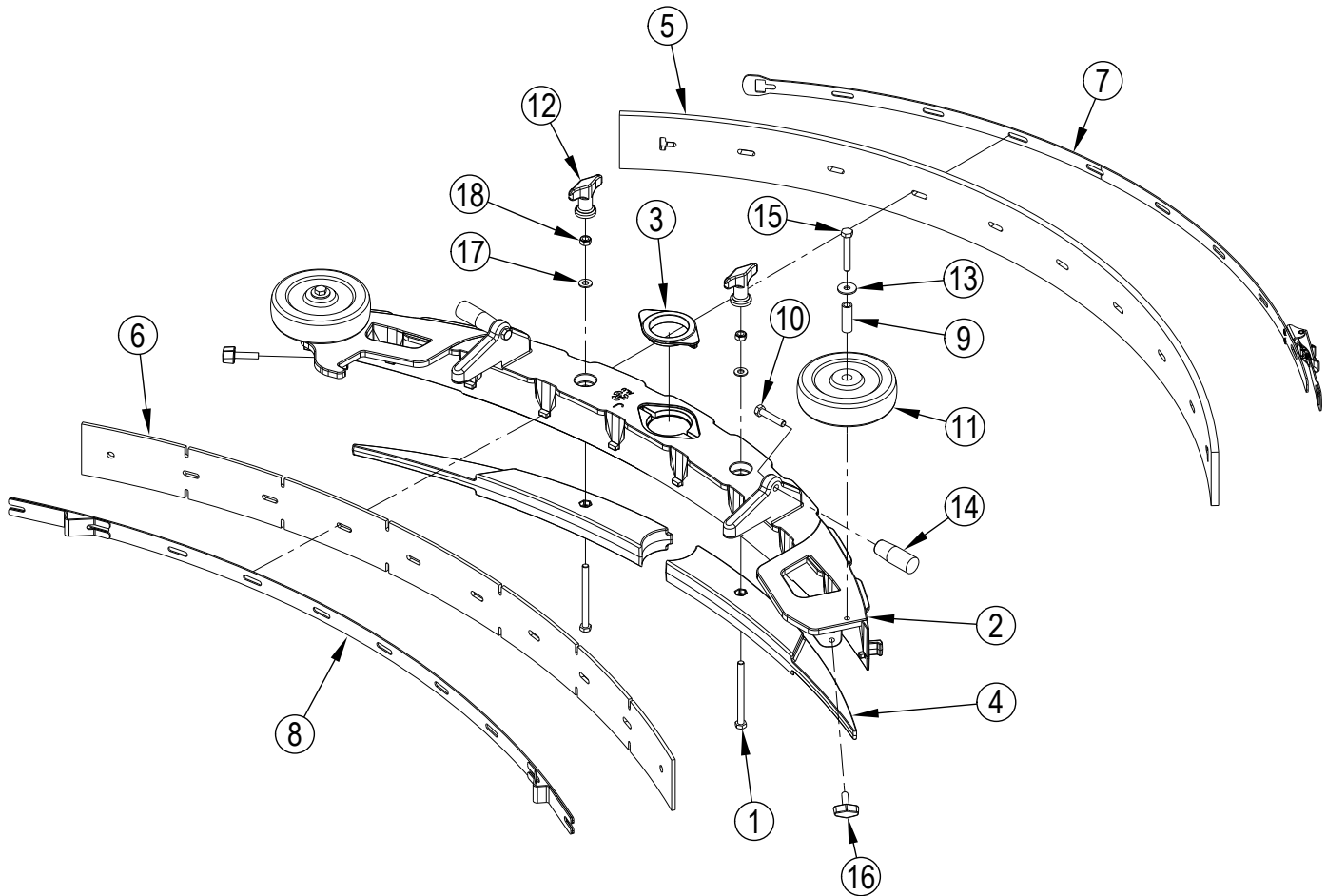
K1	56117988	1	Rod End Kit
K2	56117989	1	Squeegee Wear Plate Kit

NOTE 1: Includes Linard and Linatex Rubber Blades

32C, 36C, & 34D



SCRUB SYSTEM-SQUEEGEE ASSEMBLY-J



SQUEEGEE SYSTEM-SQUEEGEE ASSEMBLY J

Kit	Item	Ref. No.	Qty	Description
		56116399	1	Squeegee Assembly-J
	1	56003995	2	Scr,Hex Thd To Hd Ss
	2	56116378	1	Squeegee-J
	3	56116388	1	Seal-Squeegee
	4	56116491	2	Insert-Squeegee Airflow-J
K1	5		1	Blade-Rear-Linatex-J
K1	6	56116494	1	Blade-Front-Linard-J
K2	*		1	Blade-Squeegee-Pu-Rear-J
K2	*		1	Blade-Squeegee-Pu-Front-J
	7	56116497	1	Squeegee Strap Assembly-Rr-J
	8	56116498	1	Squeegee Strap Weldment-Fr-J
	9	56116768	2	Bushing-.344x.500x1.56in
	10	56116853	2	Screw M8x40 Uni5739 Ss
	11	56201018	2	Wheel 5.00 X 1.50
	12	56370711	2	Nut Thumb
	13	1458395000	2	Washer 8x24x2 Uni6593 Ss
	14	1463037000	2	1463037000 Eu.Asm
	15	9095786000	2	Screw M8x55 Hex Hd P/Thd Ss Iso4014
	16	9096551000	2	Knob M8x30 Stainless Steel
	17	L08603207	2	Washer Plain M8x16 Ss Iso7089
	18	L08603988	2	Nut Lock Hex 5/16 Unc Low Ss

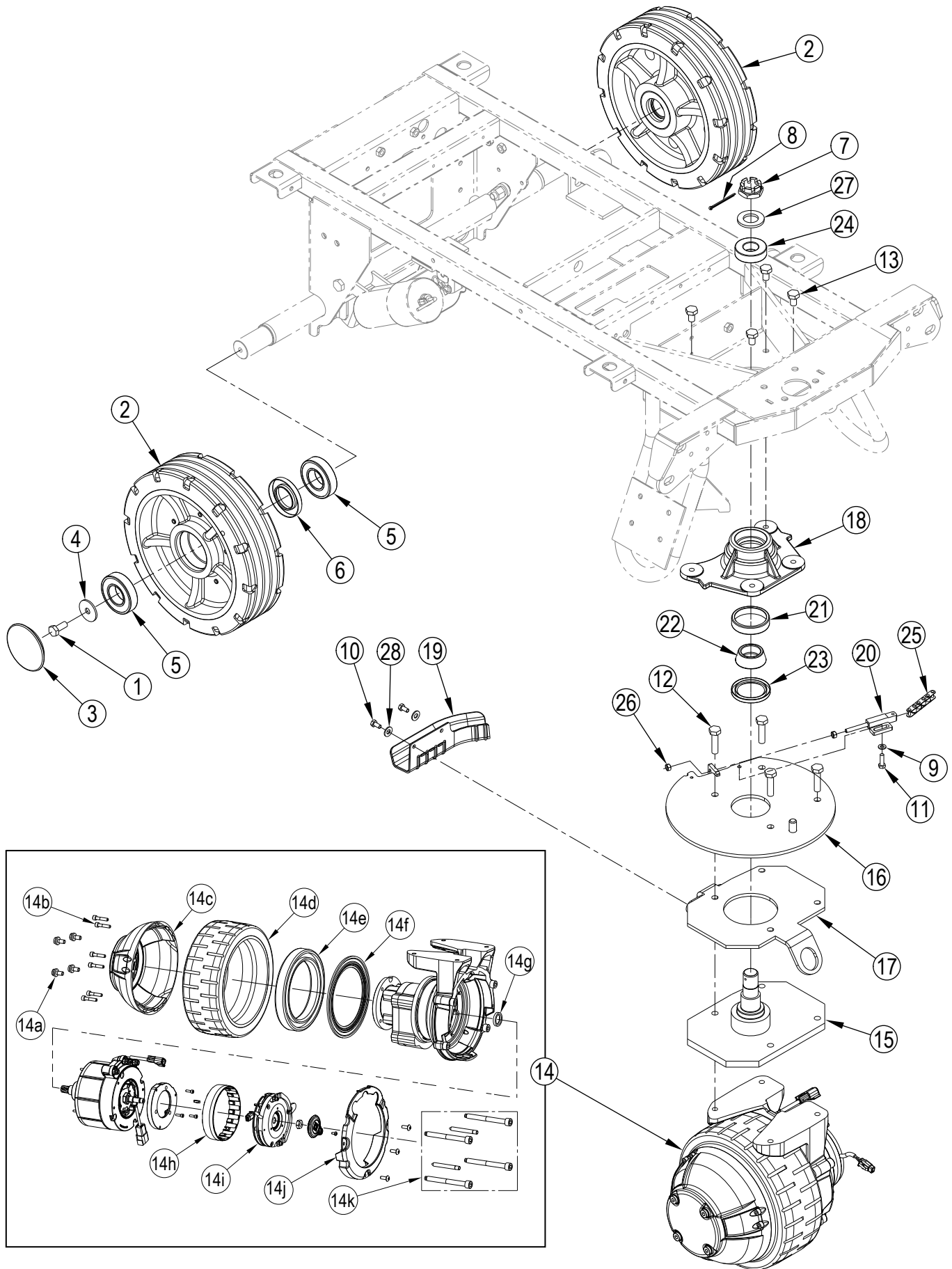
Service Kits

K1	56116704	1	Squeegee Blade Kit-Linatex J
K2	56116707	1	Squeegee Blade Kit-PU J

* = Optional, Not Included

NOTE 1: All squeegee blade kits include both front and rear squeegee blades.

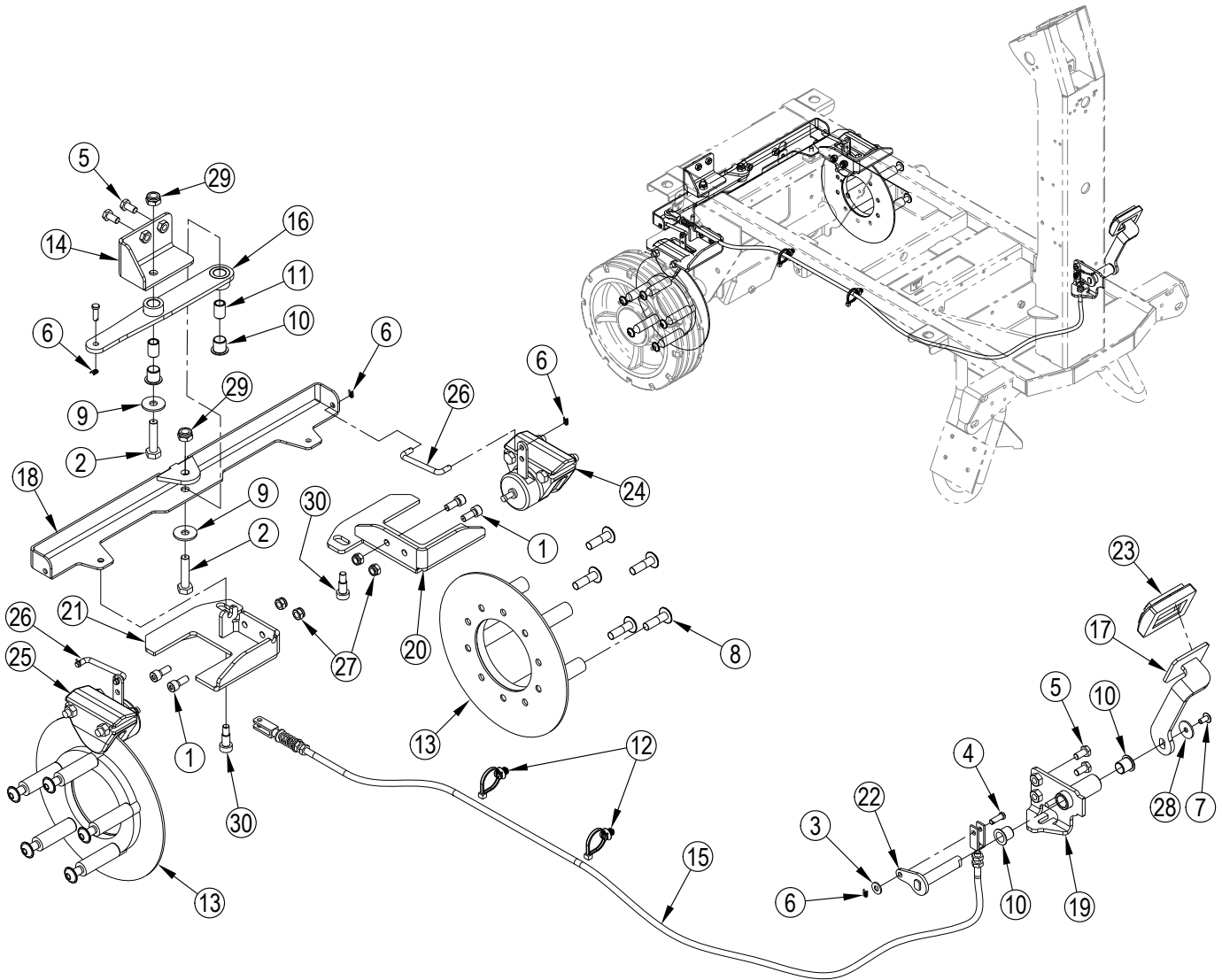
REAR AND DRIVE WHEEL SYSTEM



REAR AND DRIVE WHEEL SYSTEM

Kit	Item	Ref. No.	Qty	Description
K1,K2	1		1	Scr Hex M10x25 Ss W/Thd Lck
K2	2		2	Wheel-Rear-Pu 12x3.5in
K1,K2	3		1	Cap-Hub
K1,K2	4		1	Washer Plain M10x40 Iso7093
K1	5		2	Bearing-Ball-1.378x2.835x.669
K1	6		1	Seal-Oil
	7	33005668	1	Nut Hex M24x2 Uni 5594
	8	33005782	1	Pin Cotter 3 X 50 Iso 1324
K3	9		1	Washer Plain M6x12.5x1.6 Ss Iso7093
	10	56004083	2	Scr Hex M6x12 Ss W/Thd Lck
K3	11		1	Scr Hex M6x20 Ss W/Thd Lck
	12	56004092	4	Scr Hex M10x40 Ss W/Thd Lck
	13	56004125	4	Scr Hex M10x16 Ss W/Thd Lck
	14	56117070-SP	1	Drive Motor (M42)
	14a	56120224	4	Screw-Aluminium Hub
	14b	56120225	6	Screw-Wheel
	14c	56120226	1	Aluminium Hub
	14d	56120227	1	Wheel-Poly-Red-250X90
	14e	56116809	1	Bearing-Wheel
	14f	56118197	1	Shield-Bearing
	14g	56412321	1	Seal-Shaft
	14h	56120228	1	Cover-Brake
	14i	56120229	1	Brake-Electromagnetic-Lever
	14j	56120230	1	Cover-Motor
	14k	56422174	1	Tire Puller Kit (Extractor + Guides)
	15	56117155-SP	1	Spindle Weldment
	16	56117428-SP	1	Steering Plate Weldment
	17	56117446-SP	1	Plate-Tie Down
	18	56117558-SP	1	Block, Bearing
	19	56117791-SP	1	Tray-Wire Harness
K3	20	56117874-SP	1	Chain Tensioner Weldment
	21	56158143	1	Bearing Cup
	22	56158151	1	Bearing Cone
	23	56171081	1	Seal-Shaft 1.750
	24	56378380	1	Bearing Ball
K3	25		1	Chain-Roller
K3	26		2	Nut Hex M6 Ss
	27	1461703000	1	Washer Plain M24x44 Iso7089
	28	L08603207	2	Washer Plain M8x16 Ss Iso7089
Service Kits				
K1	56116033		1	Bearing Kit-Rear Wheel
K2	56120469		1	Rear Wheel Kit
K3	56117183		1	Chain Kit

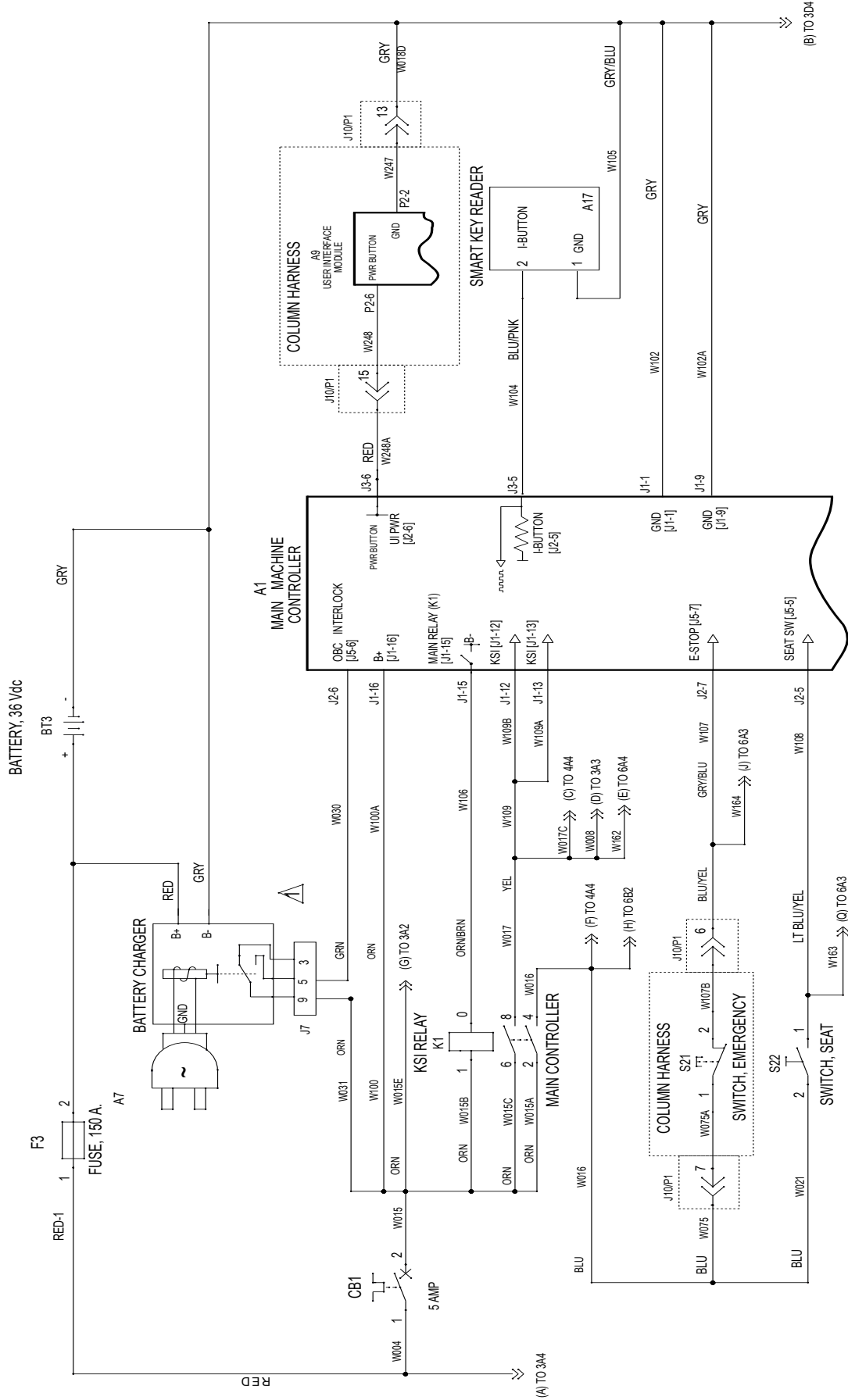
REAR BRAKE SYSTEM



REAR BRAKE SYSTEM

Kit	Item	Ref. No.	Qty	Description
	1	33004365	4	Screw M8x20 Cap Hd Hex Sock Iso4762
	2	33022204	2	Screw M10x45 Hex Hd F/Thd Ss Iso4017
	3	56002859	1	Wsh-Flt Sae Ss 1/4
	4	56003663	2	Clevis Pin
	5	56003908	4	Scr-Hex Ss M8-1.25 X 16mm
	6	56004047	6	Pin-Clevis-1.6x16-Ss-Iso 1234
	7	56004100	1	Scr Trx M6x12 W/Thd Lck Blk
	8	56004186	10	Scr M10x35 Trx Bk Zc Thd Lck
	9	L08812336	2	Washer Plain M10x30 Ss Iso7093
	10	56116487	4	Bearing-Flange-14x16x17mm
	11	56116488	2	Bushing
	12	56116611	2	Cable Tie Mount
	13	56117585	2	Rotor Weldment
	14	56117589	1	Brake Mount Weldment
	15	56117595	1	Cable-Brake
	16	56117839	1	Pivot Bar Weldment
	17	56120452	1	Brake Pedal Weldment
	18	56120455	1	Brake Balance Bar Weldment
	19	56120457	1	Brake Pedal Mount Weldment
	20	56120459	1	Bracket-Caliper-Left
	21	56120460	1	Bracket-Caliper-Right
	22	56120461	1	Brake Cable Arm Weldment
	23	56365002	1	Pad, Rubber
	24	56413024	1	Brake-Ccw Rh
	25	56413025	1	Brake-Cw Lh
	26	56414089	2	Link-Brake
	27	1450452000	4	Nut Lock Hex M8 Low Ss Iso10511
	28	1450493000	1	Washer Plain M6x24x2 Ss Iso7093
	29	9096013000	2	Nut Lock Hex M10 Low Ss Iso10511
	30	9096495000	2	Screw Shoulder 10x16 M8

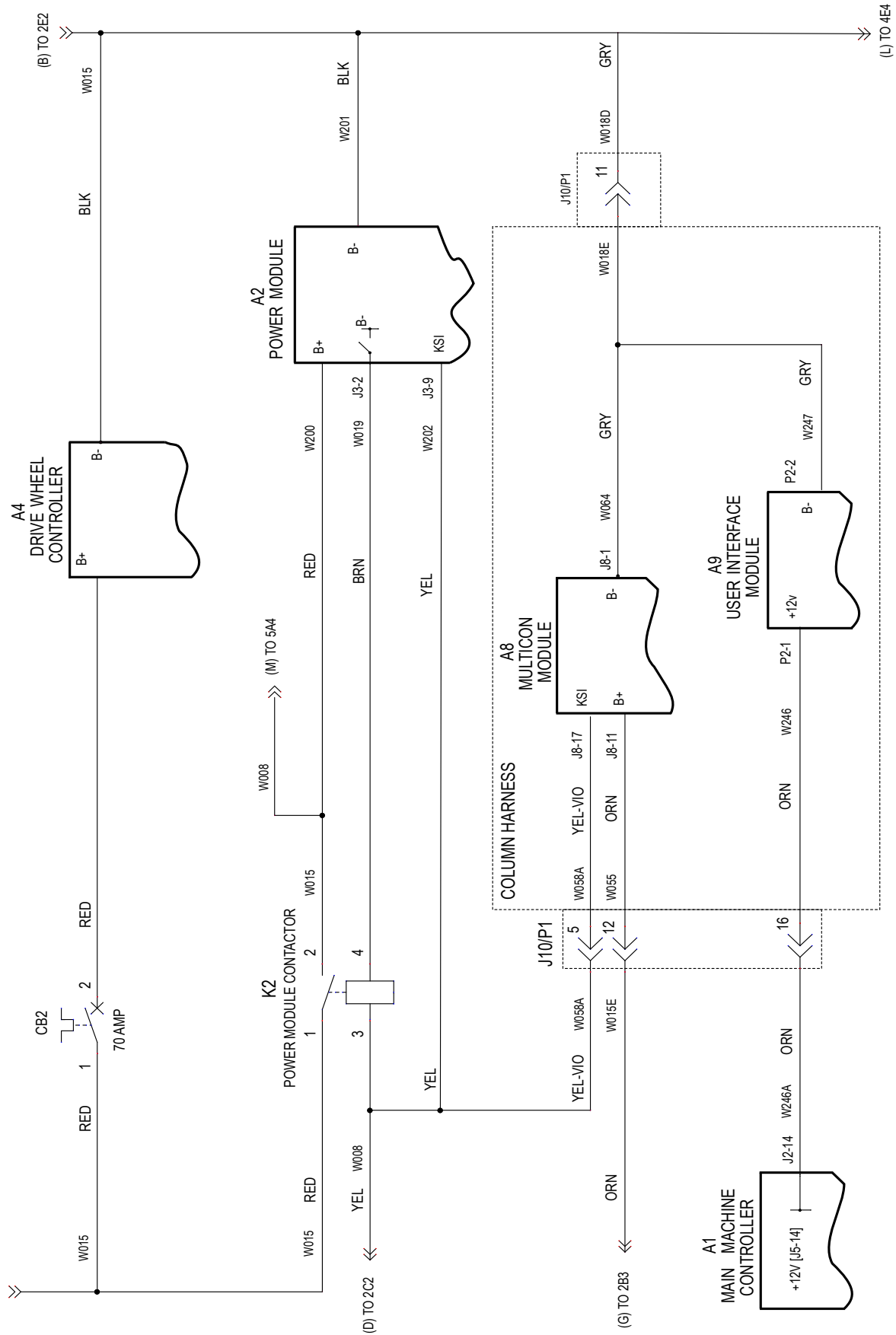
LADDER DIAGRAM-1



LADDER DIAGRAM-1

Kit	Item	Ref. No.	Qty	Description	Color	Codes
	A1	56117204	1	Pcb Box Assembly-Main	BLK	Black
	A2	56116087	1	Module-High Power	BLU	Blue
	A4	56117418-SP	1	Controller-Drive Brushless Dc	BRN	Brown
	A7	56117797	1	Charger-On Board-36v	GRA	Gray
	A8	106440000	1	Multicon1	GRN	Green
	A9	56117715	1	Interface Assembly	ORN	Orange
	A17	56116477	1	Ibutton-Probe	PINK	Pink
	BT3	N/A	1	Battery 36VDC	RED	Red
	CB1	56315255	1	Circuit Breaker 5 Amp	TAN	Tan
	CB2	56454429	1	Circuit Breaker 70A	VIO	Violet
	CB3	56315255	1	Circuit Breaker 5 Amp	WHT	White
	F1	56115432	1	Fuse-150 Amp	YEL	Yellow
	F2		1	3 Amp Fuse		
	F3		1	30 Amp Fuse		
	F4		1	30 Amp Fuse		
	F5		1	30 Amp Fuse		
	F6		1	30 Amp Fuse		
	F7		1	5 Amp Fuse		
	F8		1	10 Amp Fuse		
	F9		1	10 Amp Fuse		
	F10		1	10 Amp Fuse		
	F11		1	40 Amp Fuse		
	F12		1	40 Amp Fuse		
	H7	56116375	1	Horn-36		
	H8	56117416-SP	1	Alarm-Back-Up-11-100v-Spare Pa		
	K1	40892a	1	Relay Dpdt 36vdc		
	K2	56117840	1	Contactor-36v		
	L7	56118184	1	Valve-Solenoid-36vdc		
	LP1	56383032	1	Light-Led (Optional)		
	LP2	56383032	1	Light-Led (Optional)		
	LP8	56117845-SP	1	Beacon-Warning Led (Optional)		
		56117622	1	Light-Directional-Blue (Optional)		
		56117427-SP	1	Sensor-Level-Capacitive		
	M24	56110742	1	Detergent Pump Motor		
	M6	56117746	1	Squeegee Actuator		
	M10	56117967	1	Wash Pump (Optional)		
	M7	56117646	1	Actuator Assy-Disk Deck		
	M7	56117647	1	Actuator Assy-Cyl Deck		
	M3	56117556	1	Side Sweep (Optional)		
	M4	56116105	1	Motor, Vacuum 1		
	M1	56117323	1	Right Brush Disc		
	M2	56117450	1	Rear Cylindrical Brush Motor		
	M5	56116105	1	Motor, Vacuum 2 (Optional)		
	M1	56117450	1	Front Cylindrical Brush Motor		
	M2	56117323	1	Motor, Left Brush Disc Drive Motor		
	M42	56117070-SP	1	Drive Wheel Motor		
	R3	56117557-SP	1	Drive Pedal		
	S14	56117842	1	Switch, Sweep		
	S21	56104247	1	SW, Emergency		
	S22	7-82-00050	1	SW, Seat		
	Y4	56120229-SP	1	Brake-Electromagnetic-Lever		

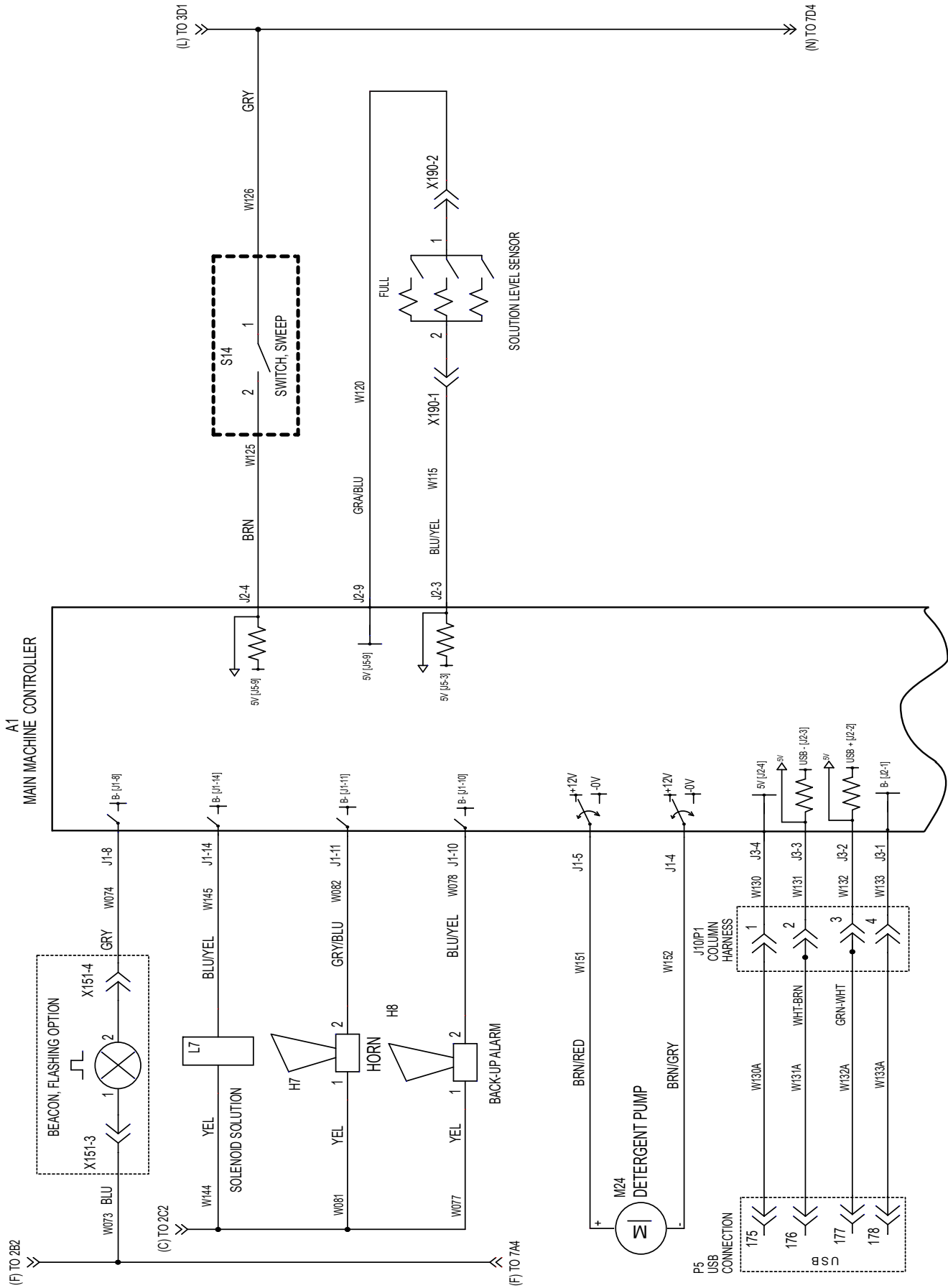
LADDER DIAGRAM-2



LADDER DIAGRAM-2

Kit	Item	Ref. No.	Qty	Description	Color Codes
	A1	56117204	1	Pcb Box Assembly-Main	BLK Black
	A2	56116087	1	Module-High Power	BLU Blue
	A4	56117418-SP	1	Controller-Drive Brushless Dc	BRN Brown
	A7	56117797	1	Charger-On Board-36v	GRA Gray
	A8	106440000	1	Multicon1	GRN Green
	A9	56117715	1	Interface Assembly	ORN Orange
	A17	56116477	1	Ibutton-Probe	PINK Pink
	BT3	N/A	1	Battery 36VDC	RED Red
	CB1	56315255	1	Circuit Breaker 5 Amp	TAN Tan
	CB2	56454429	1	Circuit Breaker 70A	VIO Violet
	CB3	56315255	1	Circuit Breaker 5 Amp	WHT White
	F1	56115432	1	Fuse-150 Amp	YEL Yellow
	F2		1	3 Amp Fuse	
	F3		1	30 Amp Fuse	
	F4		1	30 Amp Fuse	
	F5		1	30 Amp Fuse	
	F6		1	30 Amp Fuse	
	F7		1	5 Amp Fuse	
	F8		1	10 Amp Fuse	
	F9		1	10 Amp Fuse	
	F10		1	10 Amp Fuse	
	F11		1	40 Amp Fuse	
	F12		1	40 Amp Fuse	
	H7	56116375	1	Horn-36	
	H8	56117416-SP	1	Alarm-Back-Up-11-100v-Spare Pa	
	K1	40892a	1	Relay Dpdt 36vdc	
	K2	56117840	1	Contactor-36v	
	L7	56118184	1	Valve-Solenoid-36vdc	
	LP1	56383032	1	Light-Led (Optional)	
	LP2	56383032	1	Light-Led (Optional)	
	LP8	56117845-SP	1	Beacon-Warning Led (Optional)	
		56117622	1	Light-Directional-Blue (Optional)	
		56117427-SP	1	Sensor-Level-Capacitive	
	M24	56110742	1	Detergent Pump Motor	
	M6	56117746	1	Squeegee Actuator	
	M10	56117967	1	Wash Pump (Optional)	
	M7	56117646	1	Actuator Assy-Disk Deck	
	M7	56117647	1	Actuator Assy-Cyl Deck	
	M3	56117556	1	Side Sweep (Optional)	
	M4	56116105	1	Motor, Vacuum 1	
	M1	56117323	1	Right Brush Disc	
	M2	56117450	1	Rear Cylindrical Brush Motor	
	M5	56116105	1	Motor, Vacuum 2 (Optional)	
	M1	56117450	1	Front Cylindrical Brush Motor	
	M2	56117323	1	Motor, Left Brush Disc Drive Motor	
	M42	56117070-SP	1	Drive Wheel Motor	
	R3	56117557-SP	1	Drive Pedal	
	S14	56117842	1	Switch, Sweep	
	S21	56104247	1	SW, Emergency	
	S22	7-82-00050	1	SW, Seat	
	Y4	56120229-SP	1	Brake-Electromagnetic-Lever	

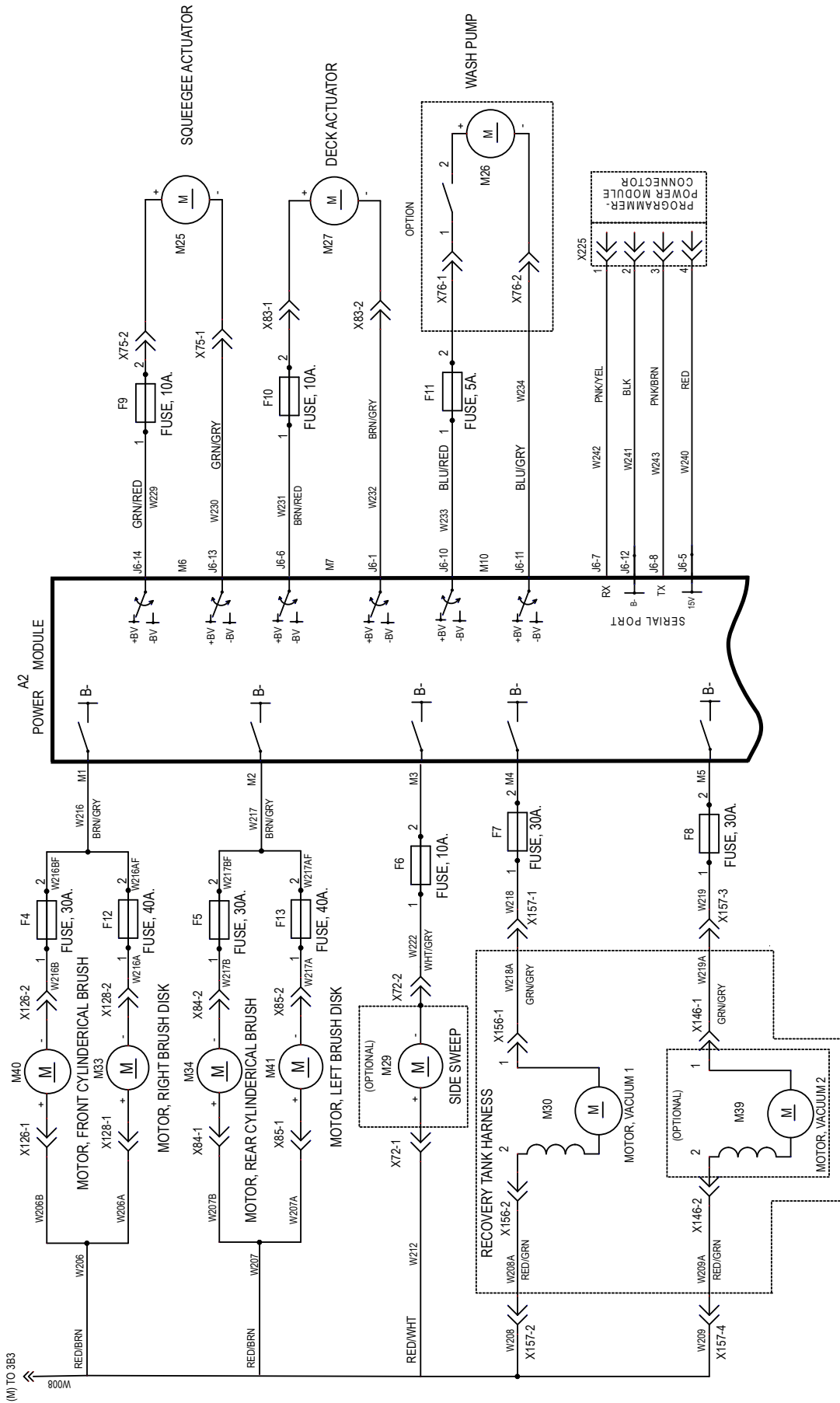
LADDER DIAGRAM-3



LADDER DIAGRAM-3

Kit	Item	Ref. No.	Qty	Description	Color Codes
	A1	56117204	1	Pcb Box Assembly-Main	BLK Black
	A2	56116087	1	Module-High Power	BLU Blue
	A4	56117418-SP	1	Controller-Drive Brushless Dc	BRN Brown
	A7	56117797	1	Charger-On Board-36v	GRA Gray
	A8	106440000	1	Multicon1	GRN Green
	A9	56117715	1	Interface Assembly	ORN Orange
	A17	56116477	1	Ibutton-Probe	PINK Pink
	BT3	N/A	1	Battery 36VDC	RED Red
	CB1	56315255	1	Circuit Breaker 5 Amp	TAN Tan
	CB2	56454429	1	Circuit Breaker 70A	VIO Violet
	CB3	56315255	1	Circuit Breaker 5 Amp	WHT White
	F1	56115432	1	Fuse-150 Amp	YEL Yellow
	F2		1	3 Amp Fuse	
	F3		1	30 Amp Fuse	
	F4		1	30 Amp Fuse	
	F5		1	30 Amp Fuse	
	F6		1	30 Amp Fuse	
	F7		1	5 Amp Fuse	
	F8		1	10 Amp Fuse	
	F9		1	10 Amp Fuse	
	F10		1	10 Amp Fuse	
	F11		1	40 Amp Fuse	
	F12		1	40 Amp Fuse	
	H7	56116375	1	Horn-36	
	H8	56117416-SP	1	Alarm-Back-Up-11-100v-Spare Pa	
	K1	40892a	1	Relay Dpdt 36vdc	
	K2	56117840	1	Contactor-36v	
	L7	56118184	1	Valve-Solenoid-36vdc	
	LP1	56383032	1	Light-Led (Optional)	
	LP2	56383032	1	Light-Led (Optional)	
	LP8	56117845-SP	1	Beacon-Warning Led (Optional)	
		56117622	1	Light-Directional-Blue (Optional)	
		56117427-SP	1	Sensor-Level-Capacitive	
	M24	56110742	1	Detergent Pump Motor	
	M6	56117746	1	Squeegee Actuator	
	M10	56117967	1	Wash Pump (Optional)	
	M7	56117646	1	Actuator Assy-Disk Deck	
	M7	56117647	1	Actuator Assy-Cyl Deck	
	M3	56117556	1	Side Sweep (Optional)	
	M4	56116105	1	Motor, Vacuum 1	
	M1	56117323	1	Right Brush Disc	
	M2	56117450	1	Rear Cylindrical Brush Motor	
	M5	56116105	1	Motor, Vacuum 2 (Optional)	
	M1	56117450	1	Front Cylindrical Brush Motor	
	M2	56117323	1	Motor, Left Brush Disc Drive Motor	
	M42	56117070-SP	1	Drive Wheel Motor	
	R3	56117557-SP	1	Drive Pedal	
	S14	56117842	1	Switch, Sweep	
	S21	56104247	1	SW, Emergency	
	S22	7-82-00050	1	SW, Seat	
	Y4	56120229-SP	1	Brake-Electromagnetic-Lever	

LADDER DIAGRAM-4

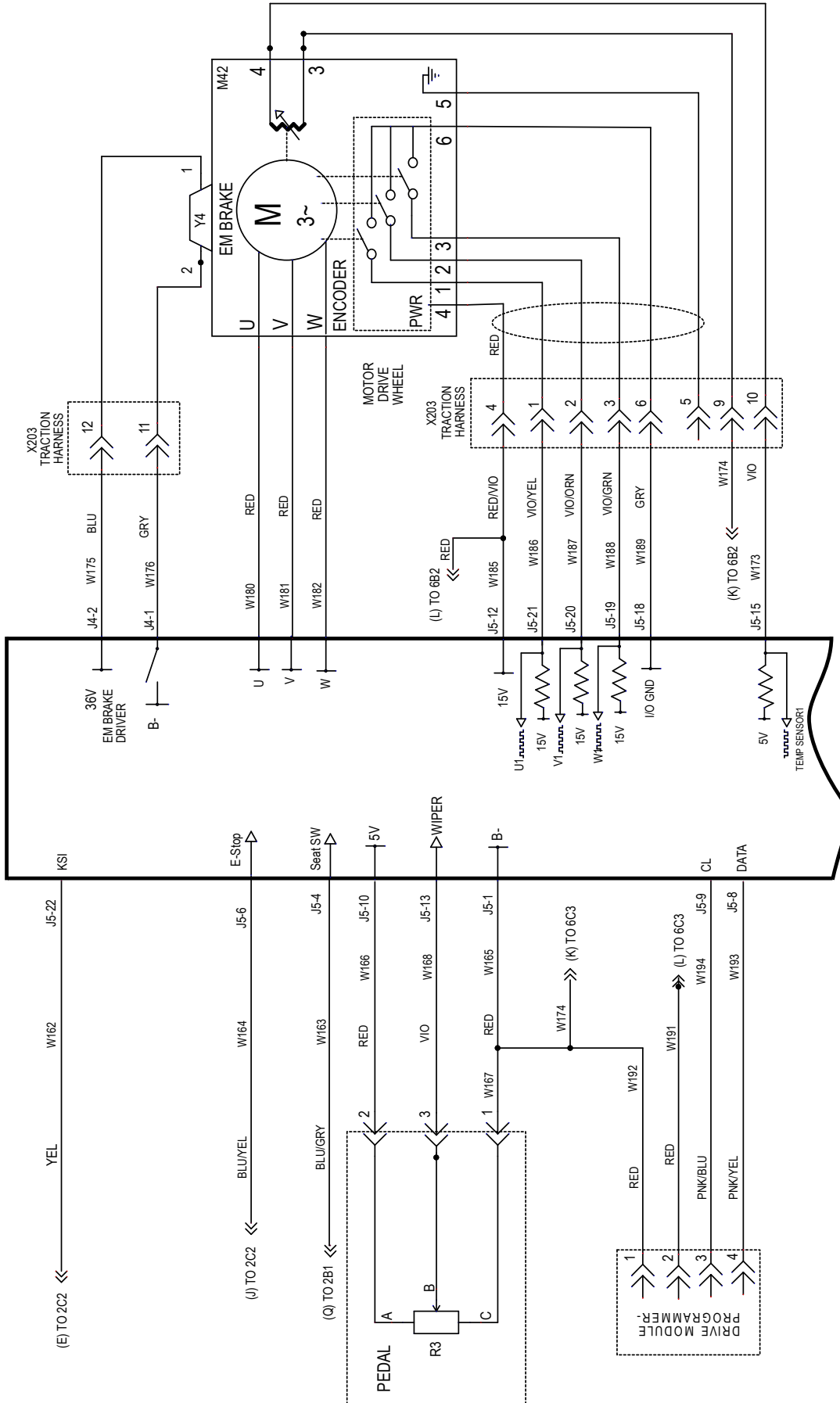


LADDER DIAGRAM-4

Kit	Item	Ref. No.	Qty	Description	Color Codes
	A1	56117204	1	Pcb Box Assembly-Main	BLK Black
	A2	56116087	1	Module-High Power	BLU Blue
	A4	56117418-SP	1	Controller-Drive Brushless Dc	BRN Brown
	A7	56117797	1	Charger-On Board-36v	GRA Gray
	A8	106440000	1	Multicon1	GRN Green
	A9	56117715	1	Interface Assembly	ORN Orange
	A17	56116477	1	Ibutton-Probe	PINK Pink
	BT3	N/A	1	Battery 36VDC	RED Red
	CB1	56315255	1	Circuit Breaker 5 Amp	TAN Tan
	CB2	56454429	1	Circuit Breaker 70A	VIO Violet
	CB3	56315255	1	Circuit Breaker 5 Amp	WHT White
	F1	56115432	1	Fuse-150 Amp	YEL Yellow
	F2		1	3 Amp Fuse	
	F3		1	30 Amp Fuse	
	F4		1	30 Amp Fuse	
	F5		1	30 Amp Fuse	
	F6		1	30 Amp Fuse	
	F7		1	5 Amp Fuse	
	F8		1	10 Amp Fuse	
	F9		1	10 Amp Fuse	
	F10		1	10 Amp Fuse	
	F11		1	40 Amp Fuse	
	F12		1	40 Amp Fuse	
	H7	56116375	1	Horn-36	
	H8	56117416-SP	1	Alarm-Back-Up-11-100v-Spare Pa	
	K1	40892a	1	Relay Dpdt 36vdc	
	K2	56117840	1	Contacto-36v	
	L7	56118184	1	Valve-Solenoid-36vdc	
	LP1	56383032	1	Light-Led (Optional)	
	LP2	56383032	1	Light-Led (Optional)	
	LP8	56117845-SP	1	Beacon-Warning Led (Optional)	
		56117622	1	Light-Directional-Blue (Optional)	
		56117427-SP	1	Sensor-Level-Capacitive	
	M24	56110742	1	Detergent Pump Motor	
	M6	56117746	1	Squeegee Actuator	
	M10	56117967	1	Wash Pump (Optional)	
	M7	56117646	1	Actuator Assy-Disk Deck	
	M7	56117647	1	Actuator Assy-Cyl Deck	
	M3	56117556	1	Side Sweep (Optional)	
	M4	56116105	1	Motor, Vacuum 1	
	M1	56117323	1	Right Brush Disc	
	M2	56117450	1	Rear Cylindrical Brush Motor	
	M5	56116105	1	Motor, Vacuum 2 (Optional)	
	M1	56117450	1	Front Cylindrical Brush Motor	
	M2	56117323	1	Motor, Left Brush Disc Drive Motor	
	M42	56117070-SP	1	Drive Wheel Motor	
	R3	56117557-SP	1	Drive Pedal	
	S14	56117842	1	Switch, Sweep	
	S21	56104247	1	SW, Emergency	
	S22	7-82-00050	1	SW, Seat	
	Y4	56120229-SP	1	Brake-Electromagnetic-Lever	

LADDER DIAGRAM-5

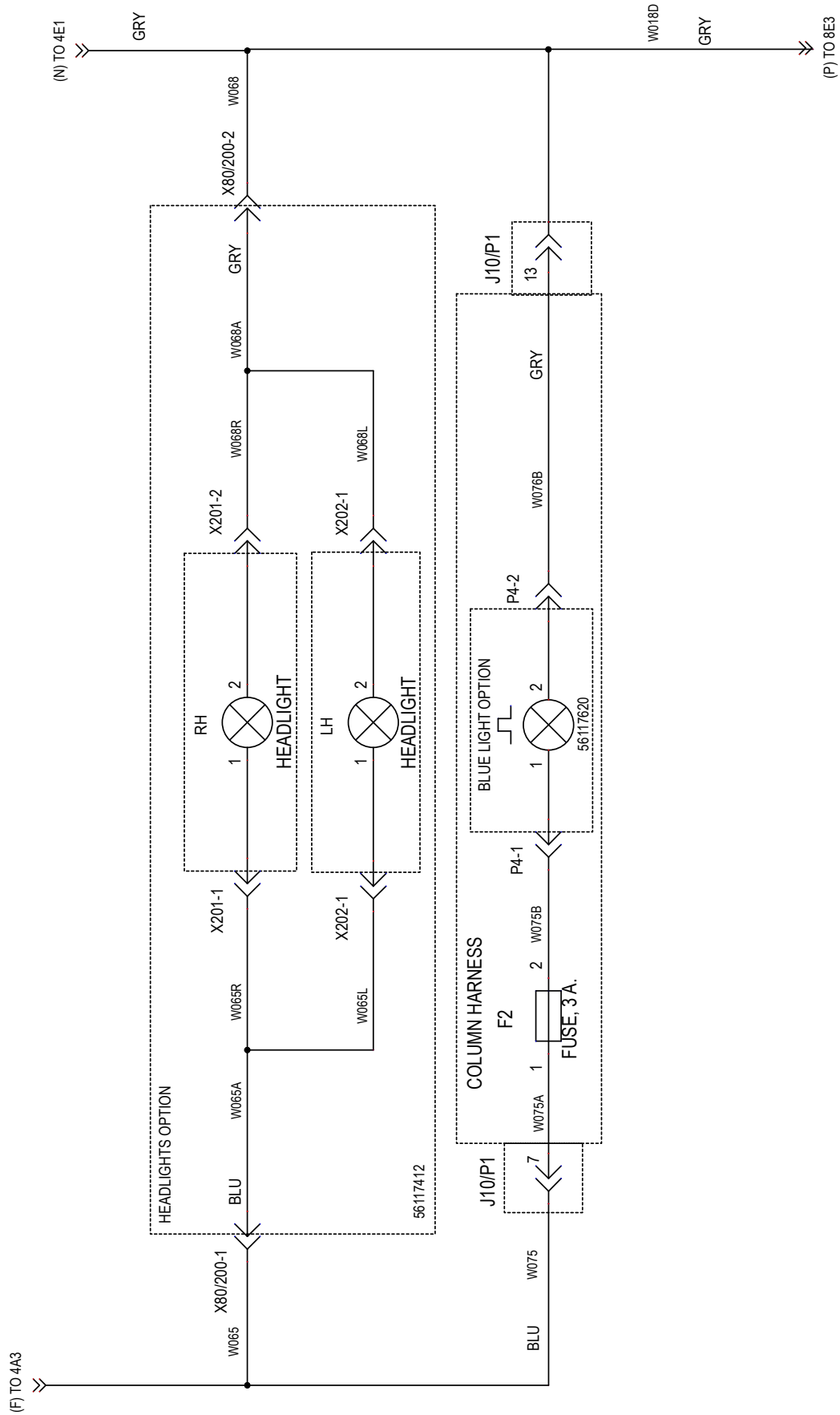
**A4
DRIVE WHEEL
CONTROLLER**



LADDER DIAGRAM-5

Kit	Item	Ref. No.	Qty	Description	Color	Codes
	A1	56117204	1	Pcb Box Assembly-Main	BLK	Black
	A2	56116087	1	Module-High Power	BLU	Blue
	A4	56117418-SP	1	Controller-Drive Brushless Dc	BRN	Brown
	A7	56117797	1	Charger-On Board-36v	GRA	Gray
	A8	106440000	1	Multicon1	GRN	Green
	A9	56117715	1	Interface Assembly	ORN	Orange
	A17	56116477	1	Ibutton-Probe	PINK	Pink
	BT3	N/A	1	Battery 36VDC	RED	Red
	CB1	56315255	1	Circuit Breaker 5 Amp	TAN	Tan
	CB2	56454429	1	Circuit Breaker 70A	VIO	Violet
	CB3	56315255	1	Circuit Breaker 5 Amp	WHT	White
	F1	56115432	1	Fuse-150 Amp	YEL	Yellow
	F2		1	3 Amp Fuse		
	F3		1	30 Amp Fuse		
	F4		1	30 Amp Fuse		
	F5		1	30 Amp Fuse		
	F6		1	30 Amp Fuse		
	F7		1	5 Amp Fuse		
	F8		1	10 Amp Fuse		
	F9		1	10 Amp Fuse		
	F10		1	10 Amp Fuse		
	F11		1	40 Amp Fuse		
	F12		1	40 Amp Fuse		
	H7	56116375	1	Horn-36		
	H8	56117416-SP	1	Alarm-Back-Up-11-100v-Spare Pa		
	K1	40892a	1	Relay Dpdt 36vdc		
	K2	56117840	1	Contactor-36v		
	L7	56118184	1	Valve-Solenoid-36vdc		
	LP1	56383032	1	Light-Led (Optional)		
	LP2	56383032	1	Light-Led (Optional)		
	LP8	56117845-SP	1	Beacon-Warning Led (Optional)		
		56117622	1	Light-Directional-Blue (Optional)		
		56117427-SP	1	Sensor-Level-Capacitive		
	M24	56110742	1	Detergent Pump Motor		
	M6	56117746	1	Squeegee Actuator		
	M10	56117967	1	Wash Pump (Optional)		
	M7	56117646	1	Actuator Assy-Disk Deck		
	M7	56117647	1	Actuator Assy-Cyl Deck		
	M3	56117556	1	Side Sweep (Optional)		
	M4	56116105	1	Motor, Vacuum 1		
	M1	56117323	1	Right Brush Disc		
	M2	56117450	1	Rear Cylindrical Brush Motor		
	M5	56116105	1	Motor, Vacuum 2 (Optional)		
	M1	56117450	1	Front Cylindrical Brush Motor		
	M2	56117323	1	Motor, Left Brush Disc Drive Motor		
	M42	56117070-SP	1	Drive Wheel Motor		
	R3	56117557-SP	1	Drive Pedal		
	S14	56117842	1	Switch, Sweep		
	S21	56104247	1	SW, Emergency		
	S22	7-82-00050	1	SW, Seat		
	Y4	56120229-SP	1	Brake-Electromagnetic-Lever		

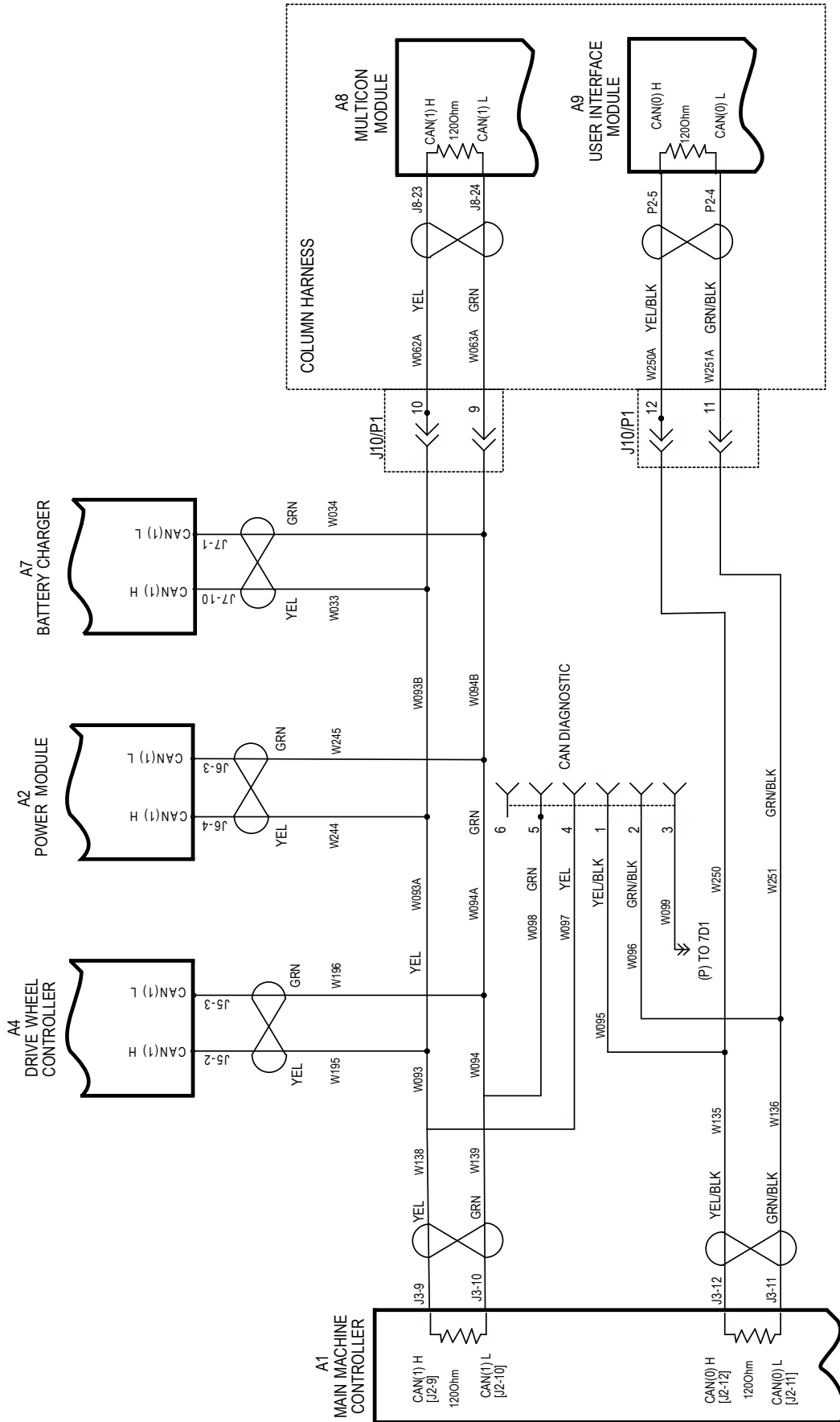
LADDER DIAGRAM-6



LADDER DIAGRAM-6

Kit	Item	Ref. No.	Qty	Description	Color	Codes
	A1	56117204	1	Pcb Box Assembly-Main	BLK	Black
	A2	56116087	1	Module-High Power	BLU	Blue
	A4	56117418-SP	1	Controller-Drive Brushless Dc	BRN	Brown
	A7	56117797	1	Charger-On Board-36v	GRA	Gray
	A8	106440000	1	Multicon1	GRN	Green
	A9	56117715	1	Interface Assembly	ORN	Orange
	A17	56116477	1	Ibutton-Probe	PINK	Pink
	BT3	N/A	1	Battery 36VDC	RED	Red
	CB1	56315255	1	Circuit Breaker 5 Amp	TAN	Tan
	CB2	56454429	1	Circuit Breaker 70A	VIO	Violet
	CB3	56315255	1	Circuit Breaker 5 Amp	WHT	White
	F1	56115432	1	Fuse-150 Amp	YEL	Yellow
	F2		1	3 Amp Fuse		
	F3		1	30 Amp Fuse		
	F4		1	30 Amp Fuse		
	F5		1	30 Amp Fuse		
	F6		1	30 Amp Fuse		
	F7		1	5 Amp Fuse		
	F8		1	10 Amp Fuse		
	F9		1	10 Amp Fuse		
	F10		1	10 Amp Fuse		
	F11		1	40 Amp Fuse		
	F12		1	40 Amp Fuse		
	H7	56116375	1	Horn-36		
	H8	56117416-SP	1	Alarm-Back-Up-11-100v-Spare Pa		
	K1	40892a	1	Relay Dpdt 36vdc		
	K2	56117840	1	Contactactor-36v		
	L7	56118184	1	Valve-Solenoid-36vdc		
	LP1	56383032	1	Light-Led (Optional)		
	LP2	56383032	1	Light-Led (Optional)		
	LP8	56117845-SP	1	Beacon-Warning Led (Optional)		
		56117622	1	Light-Directional-Blue (Optional)		
		56117427-SP	1	Sensor-Level-Capacitive		
	M24	56110742	1	Detergent Pump Motor		
	M6	56117746	1	Squeegee Actuator		
	M10	56117967	1	Wash Pump (Optional)		
	M7	56117646	1	Actuator Assy-Disk Deck		
	M7	56117647	1	Actuator Assy-Cyl Deck		
	M3	56117556	1	Side Sweep (Optional)		
	M4	56116105	1	Motor, Vacuum 1		
	M1	56117323	1	Right Brush Disc		
	M2	56117450	1	Rear Cylindrical Brush Motor		
	M5	56116105	1	Motor, Vacuum 2 (Optional)		
	M1	56117450	1	Front Cylindrical Brush Motor		
	M2	56117323	1	Motor, Left Brush Disc Drive Motor		
	M42	56117070-SP	1	Drive Wheel Motor		
	R3	56117557-SP	1	Drive Pedal		
	S14	56117842	1	Switch, Sweep		
	S21	56104247	1	SW, Emergency		
	S22	7-82-00050	1	SW, Seat		
	Y4	56120229-SP	1	Brake-Electromagnetic-Lever		

LADDER DIAGRAM-7



LADDER DIAGRAM-7

Kit	Item	Ref. No.	Qty	Description	Color	Codes
	A1	56117204	1	Pcb Box Assembly-Main	BLK	Black
	A2	56116087	1	Module-High Power	BLU	Blue
	A4	56117418-SP	1	Controller-Drive Brushless Dc	BRN	Brown
	A7	56117797	1	Charger-On Board-36v	GRA	Gray
	A8	106440000	1	Multicon1	GRN	Green
	A9	56117715	1	Interface Assembly	ORN	Orange
	A17	56116477	1	Ibutton-Probe	PINK	Pink
	BT3	N/A	1	Battery 36VDC	RED	Red
	CB1	56315255	1	Circuit Breaker 5 Amp	TAN	Tan
	CB2	56454429	1	Circuit Breaker 70A	VIO	Violet
	CB3	56315255	1	Circuit Breaker 5 Amp	WHT	White
	F1	56115432	1	Fuse-150 Amp	YEL	Yellow
	F2		1	3 Amp Fuse		
	F3		1	30 Amp Fuse		
	F4		1	30 Amp Fuse		
	F5		1	30 Amp Fuse		
	F6		1	30 Amp Fuse		
	F7		1	5 Amp Fuse		
	F8		1	10 Amp Fuse		
	F9		1	10 Amp Fuse		
	F10		1	10 Amp Fuse		
	F11		1	40 Amp Fuse		
	F12		1	40 Amp Fuse		
	H7	56116375	1	Horn-36		
	H8	56117416-SP	1	Alarm-Back-Up-11-100v-Spare Pa		
	K1	40892a	1	Relay Dpdt 36vdc		
	K2	56117840	1	Contactor-36v		
	L7	56118184	1	Valve-Solenoid-36vdc		
	LP1	56383032	1	Light-Led (Optional)		
	LP2	56383032	1	Light-Led (Optional)		
	LP8	56117845-SP	1	Beacon-Warning Led (Optional)		
		56117622	1	Light-Directional-Blue (Optional)		
		56117427-SP	1	Sensor-Level-Capacitive		
	M24	56110742	1	Detergent Pump Motor		
	M6	56117746	1	Squeegee Actuator		
	M10	56117967	1	Wash Pump (Optional)		
	M7	56117646	1	Actuator Assy-Disk Deck		
	M7	56117647	1	Actuator Assy-Cyl Deck		
	M3	56117556	1	Side Sweep (Optional)		
	M4	56116105	1	Motor, Vacuum 1		
	M1	56117323	1	Right Brush Disc		
	M2	56117450	1	Rear Cylindrical Brush Motor		
	M5	56116105	1	Motor, Vacuum 2 (Optional)		
	M1	56117450	1	Front Cylindrical Brush Motor		
	M2	56117323	1	Motor, Left Brush Disc Drive Motor		
	M42	56117070-SP	1	Drive Wheel Motor		
	R3	56117557-SP	1	Drive Pedal		
	S14	56117842	1	Switch, Sweep		
	S21	56104247	1	SW, Emergency		
	S22	7-82-00050	1	SW, Seat		
	Y4	56120229-SP	1	Brake-Electromagnetic-Lever		

OPTIONS & ACCESSORIES

Item	Ref. No.	Qty	Description
<u>Accessories</u>			
*	56117968	1	Overhead Guard Kit
*	56117658	1	Rh Broom Kit
*	56116355	1	Vacuum Wand Kit
*	56117860	1	Onboard Charger Kit-36v-Amer
*	56120180	1	Onboard Charger Kit-36v-Korea
*	56116358	1	Solution Auto Fill Kit
*	56117811	1	Scrub-N-Vac Tool Kit
*	56116359	1	Bumper Kit-Heavy Duty-Front
*	56117956	1	Squeegee Guard Kit
*	56117869	1	Foot Guard Kit
*	56117865	1	Dual Vacuum Motor Kit
*	56117862	1	Headlight Kit
*	56117906	1	Wash Hose Kit
*	56117424	1	Eco Flex Kit
*	56314981	1	Battery Watering Kit-36v
*	56116619	1	Mop Holder Kit
*	56383189	1	Arm Rest Kit-R/H Only
*	56117688	1	Seat Belt Kit
*	56117893	1	Drain Hose Extension
*	56117858	1	Blue Light Kit
*	56117868	1	Multicon Kit
<u>Options</u>			
	56116518	1	Smart Key-User
	56116519	1	Smart Key-Supervisor
	56044733	1	Literature Pack ADVANCE

OPTIONS & ACCESSORIES (CONTINUED)

Item	Ref. No.	Qty	Description
			Kits
			34D Squeegee Blade Kits for 56116378 (See Squeegee Blade Selector Guide)
	56116704	1	Squeegee Blade Kit-Linatex J NOTE 1
*	56116707	1	Squeegee Blade Kit-PU J NOTE 1
			Scrub System Side Blade Kit for Cylindrical Decks (See Blade Selector Guide)
*	56120476	1	Right Blade Kit
			Scrub System Side Blade Kit for Disc Decks (See Blade Selector Guide)
*	56120475	1	Side Blade Kit-PU
			34D Disc Scrub Brushes (See Brush Selector Guide)
*	56505780	2	Pad Holder-17 3 Lug
*	56505781	2	Disc Brush-17 Magnagrit 3 Lug
*	56505782	2	Disc Brush-17 Dynagrit 3 Lug
*	56505783	2	Disc Brush-17 Aglite 3 Lug
*	56505784	2	Disc Brush-17 Prolene 3 Lug
*	56505785	2	Disc Brush-17 Prolite 3 Lug
*	56505786	2	Disc Brush-17 Union Mix 3 Lug
*	56505787	2	Disc Brush-17 Midgrit 3 Lug
*	56505788	2	Disc Brush-17 Midlite 3 Lug
			32C Cylindrical Scrub Brushes (See Brush Selector Guide)
*	56407474	2	Brush Hard Nylon 32-Natural
*	56407476	2	Brush 180 Grit 32-Blue/Grey
*	56407477	2	Brush 80 Grit 32-Black
*	56407473	2	Brush Soft Nylon 32-Yellow
*	56407475	2	Brush Polypropylene 32-Red
			36C Cylindrical Scrub Brushes (See Brush Selector Guide)
*	56117817	2	Brush-Hard Nylon 36in
*	56117819	2	Brush-180 Grit 36in
*	56117820	2	Brush-80 Grit 36in
*	56117816	2	Brush-Soft Nylon 36in
*	56117818	2	Brush-Polypropylene 36in
*	56117821	2	Brush 46 Grit 36in
			Side Sweep Brush
*	56602119	1	Poly Broom

* = Optional, Not Included

NOTE 1: All squeegee blade kits include both front and rear squeegee blades.

RECOMMENDED SPARE PARTS**WEAR ITEMS****BRUSHES**

Disc Scrub Brushes	34D
Brush Pad Holder	56505780
MagnaGrit	56505781
DynaGrit	56505782
AgLite	56505783
Prolene	56505784
ProLite	56505785
Union Mix	56505786
MidGrit	56505787
MidLite Grit	56505788

Cylindrical Scrub Brushes	32C	36C
Hard Nylon	56407474	56117817
180 Grit	56407476	56117819
80 Grit	56407477	56117820
Soft Nylon	56407473	56117816
Prolene	56407475	56117818
46 Grit		56117821

BROOMS

Side Sweep	32C	36C
Poly Broom	56602119	56602119

DECK BLADES

Disc Deck Blade Kit	34D
Kit, Linatex Side Blade	56120475

Cylindrical Deck Blade Kit	32C	36C
Kit, Linatex Side Blade	56120476	56120476

REAR SQUEEGEE BLADES

Squeegee Blade Kits	34 (J)
Kit, Linatex Squeegee Blade	56116704
Kit, Polyurethane Squeegee Blade	56116707

RECOMMENDED SPARE PARTS

Item	Ref. No.	Qty	Description	Item	Ref. No.	Qty	Description
			CHASSIS SYSTEM				SCRUB SYSTEM (CONTINUED)
			Ordinary Maintenance				Ordinary Maintenance
O	56117889	1	Squeegee Actuator Kit	O	56117317-Sp	1	Casting-Idler End-Cylindrical-
O	56117891	1	Static Strap Kit	O	56117458	1	Hopper Screen Kit-32c/36c
			STEERING CONTROL SYSTEM	O	56117459	1	Motor Kit-Cyl Deck
			Ordinary Maintenance	O	56117460	1	Latch Kit-Cyl
O	5611792	1	Sprocket Kit	O	56117461	1	Motor Sheave Kit
O	56117185	1	Interface Kit	O	56117462	1	Belt Auto Tension Kit
O	56117436-Sp	1	Wheel-Steering-Spare Part	O	56117463	1	Drive Sheave Kit
			ELECTRICAL SYSTEM	O	56117898	1	Solenoid Valve Kit
			Ordinary Maintenance	O	56117899	1	Up Stop Kit
O	56117835	1	36vContactor Kit	O	56117900	1	32 Cyl Deck Weldment Kit
O	56117400-Sp	1	Harness-Machine Power-Spare Pa	O	56117908	1	Disc Scrub Motor Kit
O	56117401-Sp	1	Harness-Battery Power-Spare Pa	O	56117909	1	Disk Deck Actuator Kit
O	56117411-Sp	1	Harness-Traction-Spare Part	O	56117915	1	Roller Kit
O	56117416-Sp	1	Alarm-Back-Up-11-100v-Spare Pa	O	56117916	1	Front Blade Kit
O	56117417-Sp	1	Harness-Column-Spare Part	O	56117917	1	Right Brush Plate Kit
O	56117418-Sp	1	Controller-Drive Brushless Dc	O	56117918	1	Left Brush Plate Kit
O	56117202-Sp	1	Main Harness-Spare Part	O	56117919	1	Cylindrical Deck Actuator Kit
O	56115432	1	Fuse - 150 Amp				Normal Wear
O	56116087	1	Module-High Power				Disc Deck Blades
O	56117465	1	Controller Kit	W	56120475	1	Side Blade Kit-PU
O	56117557-Sp	1	Pedal-Uni Direction-Hall-Spare				Cylindrical Deck Blades
O	40892a	1	Relay Dpdt 36vdc	W	56120476	1	Side Blade Kit
O	56315255	1	Circuit Breaker 5 Amp				SOLUTION SYSTEM
O	56454429	1	Circuit Breaker 70A				Ordinary Maintenance
			RECOVERY SYSTEM	O	56117457-Sp	1	Box-Storage-Spare Part
			Ordinary Maintenance	O	56117184	1	Solution Tank Kit
O	56117990	1	Recovery Tank Lid Kit	O	56117925	1	Ball Valve Kit
O	56117991	1	Filter Cover Kit	O	56117926	1	Water Filter Kit
O	56117992	1	Float Cage Kit	O	56117929	1	Cover Gasket Kit
O	56117993	1	Vacuum Motor Kit	O	56117936	1	Drain Hose Kit
O	56117994	1	Lower Vacuum Exhaust Panel Kit				SQUEEGEE SYSTEM
O	56117995	1	Upper Vacuum Exhaust Panel Kit				Ordinary Maintenance
O	56117529-Sp	1	Debris Tray-Spare Part	O	56117356-Sp	1	Caster Assembly-Spare Part
O	56117530-Sp	1	Cover-Debris Tray-Spare Part	O	56117302-Sp	1	Knob-Squeegee-M12-Spare Part
O	56117789-Sp	1	Hose Assy-Drain-Pu-1.5-Black-S	O	56117489-Sp	1	Squeegee Arm Weldt-Spare Part
O	56116537	1	Squeegee Hose Assembly	O	56117988	1	Rod End Kit
O	56314372	1	Screen Filter				Normal Wear
O	56314373	1	Filter	W	56116704	1	Squeegee Blade Kit-Linatex J
			SCRUB SYSTEM	W	56116707	1	Squeegee Blade Kit-PU J
			Ordinary Maintenance				REAR AND DRIVE WHEEL
O	56117362-Sp	1	Applicator Tube Assy-32 In-Spa				SYSTEM
O	56117313-Sp	1	Hopper Assembly-32in-Spare Par				Ordinary Maintenance
O	56117318-Sp	1	Idler Assembly-Cylindrical-Spa	O	56117070-Sp	1	Drive Motor-Spare Part
O	56117564-Sp	1	Washer-Bearing-Spare Part	O	56117558-Sp	1	Block-Bearing-Spare Part
O	56117565-Sp	1	Lug-Drive End-Spare Part	O	56117874-Sp	1	Tensioner Weldment-Spare Part
O	56117148-Sp	1	Ring-Ret Ext-Round-45mm-Spare	O	56120469	1	Rear Wheel Kit
O	56117760-Sp	1	Housing-Cylindrical Drive-Spar				
O	56117878-Sp	1	Tube-Applicator-36 Cyl-Spare P				
O	56117879-Sp	1	36 Cyl Hopper Assembly-Spare P				
O	56117214	1	Rh Strap Kit-Disk				
O	56117499-Sp	1	Actuator-Deck-Spare Part				
O	56117219	1	Lh Strap Kit-Disk				
O	56117238	1	Rh Strap Kit-Cyl				
O	56117252	1	Lh Strap Kit-Cyl				

BRUSH SELECTOR GUIDE - DISC

We provide brushes and pad holders that will give you the best possible performance between machine and floor. Following are descriptions of the materials and their applications.

- ProLite:** Bristles are made from light-duty polypropylene for general scrubbing when you do not want to scratch or remove finish from the floor. Recommended for use in place of red pads.
- Prolene:** Polypropylene material for medium-duty scrubbing on concrete, terrazzo and vinyl floor tile. Recommended for use in place of green or blue pads.
- Union Mix:** Medium grade natural fibers for polishing finished floors with standard-speed equipment. Recommended for use in place of white pads.
- AgLite Grit 500:** For light scrubbing when used wet; buffing or polishing when used dry on urethane coated, sealed concrete or other resilient hard surface floors. Recommended for use in place of red or white pads.
- MidGrit 240:** For general purpose scrubbing when you need a lighter action for sealed or unsealed concrete, stone, terrazzo, quarry tile and other resilient hard floor surfaces. Recommended for use in place of green or blue pads.
- MidLite Grit 180:** For general purpose scrubbing of sealed or unsealed concrete, stone, terrazzo, quarry tile and other resilient hard floor surfaces. Recommended for use in place of green or blue pads.
- Dyna Grit 80:** For aggressive, heavy-duty scrubbing or stripping of floors. Recommended for use in place of brown pads.
- Magna Grit 46:** For extreme heavy-duty scrubbing or stripping of floors. This brush has extra large diameter silicon carbide grit impregnated synthetic bristles. Recommended for use in place of black pads.
- Short Trim Pad Holder:** Made with a structural foam block and center ring for correct pad centering. It has a "shower feed" design for getting solution to the floor.

SC5000 34D DISC BRUSHES

- 56505780 - Pad Holder-17 3 Lug
- 56505781 - Disc Brush-17 Magnagrit 3 Lug
- 56505782 - Disc Brush-17 Dynagrit 3 Lug
- 56505783 - Disc Brush-17 Aglite 3 Lug
- 56505784 - Disc Brush-17 Prolene 3 Lug
- 56505785 - Disc Brush-17 Prolite 3 Lug
- 56505786 - Disc Brush-17 Union Mix 3 Lug
- 56505787 - Disc Brush-17 Midgrip 3 Lug
- 56505788 - Disc Brush-17 Midlite 3 Lug

DISC BRUSH APPLICATION GUIDE (SUGGESTION ONLY)

	46	80	180	240	500			Union
Application	Grit	Grit	Grit	Grit	Grit	Prolene	Prolite	Mix
Stripping:								
Concrete	X	X						
Terrazzo	X	X						
Ceramic/Quarry tile		X						
Vinyl tile		X						
General Scrubbing:								
Concrete	X	X	X	X		X		
Terrazzo			X	X	X	X		
Ceramic/Quarry tile			X	X	X	X		
Marble					X		X	
Vinyl tile			X		X	X		
Raised-rubber tile					X		X	
Polishing:								
Raised Disc Tile								X
Marble								X
Vinyl tile								X

BRUSH SELECTOR GUIDE - CYLINDRICAL

We provide brushes and pad holders that will give you the best possible performance between machine and floor. Following are descriptions of the materials and their applications.

- Soft Nylon:** Least aggressive brush available. Used on soft-finish floors where a more aggressive brush would leave scratch marks, or in applications requiring very light cleaning.
- Stiff Nylon:** Cleaning action similar to polypropylene. More durable and wear-resistant than polypropylene.
- Prolene:** Low cost, yet effective in cleaning many common floor surfaces.
- MidLite Grit 180:** Least aggressive grit brush. Used for daily cleaning of hard-finished floors.
- Dyna Grit 80:** Medium aggressive grit brush. Good all-around brush for medium to heavy buildup removal. Can also be used for general stripping operations.
- Magna Grit 46:** Most aggressive grit brush. Used primarily to clean heavy buildup on concrete floors in factories, or for heavy stripping of finish.

SC5000 32C CYLINDRICAL BRUSHES

56407474 - Brush Hard Nylon 32-Natural
 56407476 - Brush 180 Grit 32-Blue/Grey
 56407477 - Brush 80 Grit 32-Black
 56407473 - Brush Soft Nylon 32-Yellow
 56407475 - Brush Polypropylene 32-Red

SC5000 36C CYLINDRICAL BRUSHES

56117817 - Brush-Hard Nylon 36in
 56117819 - Brush-180 Grit 36in
 56117820 - Brush-80 Grit 36in
 56117816 - Brush-Soft Nylon 36in
 56117818 - Brush-Polypropylene 36in
 56117821 - Brush 46 Grit 36in

CYLINDRICAL BRUSH APPLICATION GUIDE (SUGGESTION ONLY)

Application	46 Grit	80 Grit	180 Grit	Polypro- pylene	Stiff Nylon	Soft Nylon
Stripping:						
Concrete	X	X				
Terrazzo	X	X				
Ceramic/Quarry tile		X				
Vinyl tile		X				
General Scrubbing:						
Concrete	X	X	X	X	X	
Terrazzo			X	X	X	X
Ceramic/Quarry tile			X	X	X	X
Marble			X		X	X
Vinyl tile			X	X	X	X
Raised-rubber tile			X			X

SQUEEGEE BLADE SELECTOR GUIDE

Gum Rubber: Provides superior wiping action on tile, terrazzo, and polished floors.

Linatex: Provides longest life on finished or unfinished concrete floors.

Polyurethane: Oil resistance provides superior life in applications with oily floors.

SQUEEGEE BLADE APPLICATION GUIDE(SUGGESTION ONLY)

	Gum Rubber (Natural Rubber)	Linatex (Natural Rubber)	Polyurethane/ Primothane
Performance Traits			
Tear Strength		X	X
Abrasion Resistance		X	X
Applications			
Oil Resistant Applications			X
Appearance	Tan	Red	Translucent



9435 Winnetka Ave North
Minneapolis, MN 55445
www.advance-us.com
Phone: 800-989-2235
Fax: 800-989-6566
©2021 Nilfisk, Inc.

