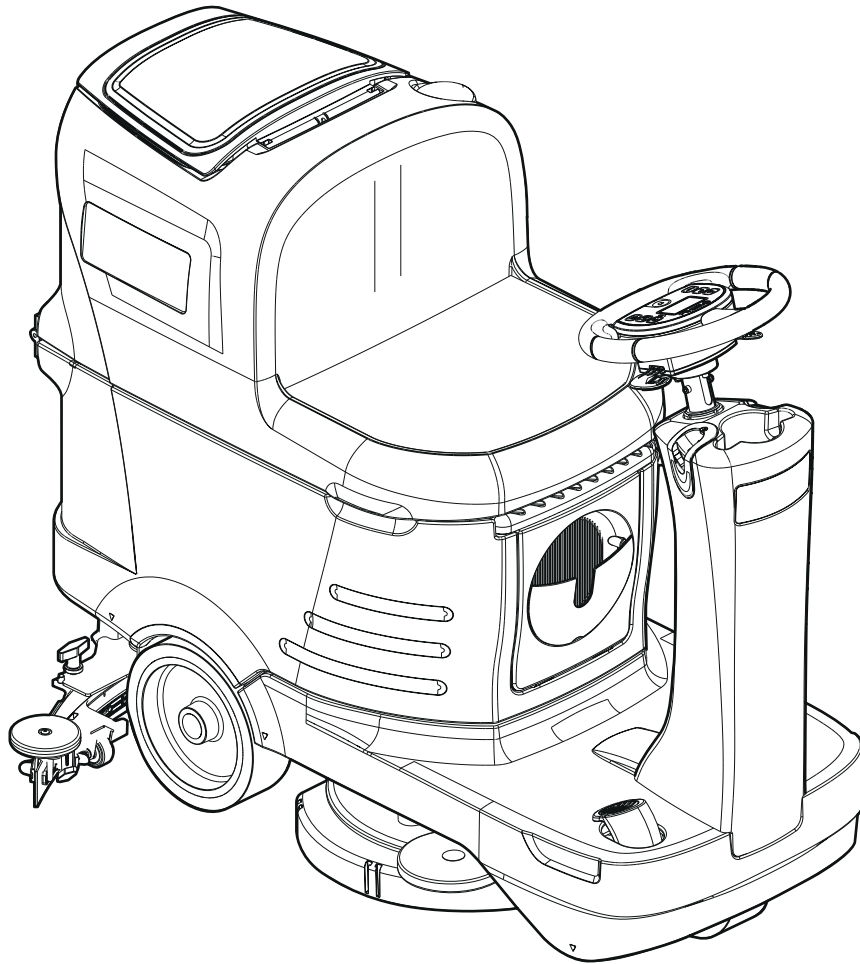


SC2000

ecoflex™



PARTS LIST

Model: 9087361020



01/2015 (1)
FORM NO. 910000387

TABLE OF CONTENTS

GENERAL VIEW	2
SOLUTION TANK.....	4
RECOVERY TANK	6
FOOTBOARD, COLUMN AND KEY HOUSING	8
CHASSIS.....	10
MOTOR DRIVE	12
FRONT WHEEL SYSTEM.....	14
STEERING COLUMN SYSTEM.....	16
STEERING WHEEL	18
SOLUTION SYSTEM	20
ACTUATORS.....	22
SQUEEGEE SYSTEM.....	24
BRUSH DECK.....	26
ELECTRICAL SYSTEM.....	28
BATTERY CHARGER	30
ECOFLEX SYSTEM.....	32
ACCESSORIES.....	34
WIRING DIAGRAM	38
RECOMMENDED PARTS.....	40
RECOMMENDED PARTS - ACCESSORIES/ OPTIONAL.....	41

WHEN ORDERING PARTS

- Use the part numbers from the “REF. NO.” columns in this parts list. If the “REF. NO.” column is blank; look under the “KIT” column to identify which kit contains the part in question, then use the kit callout, for example “K1”, to find the “REF. NO.” for that kit.
- Specify the model and serial number of the machine.
- Use the space below to record the model and serial number for future reference.

Model

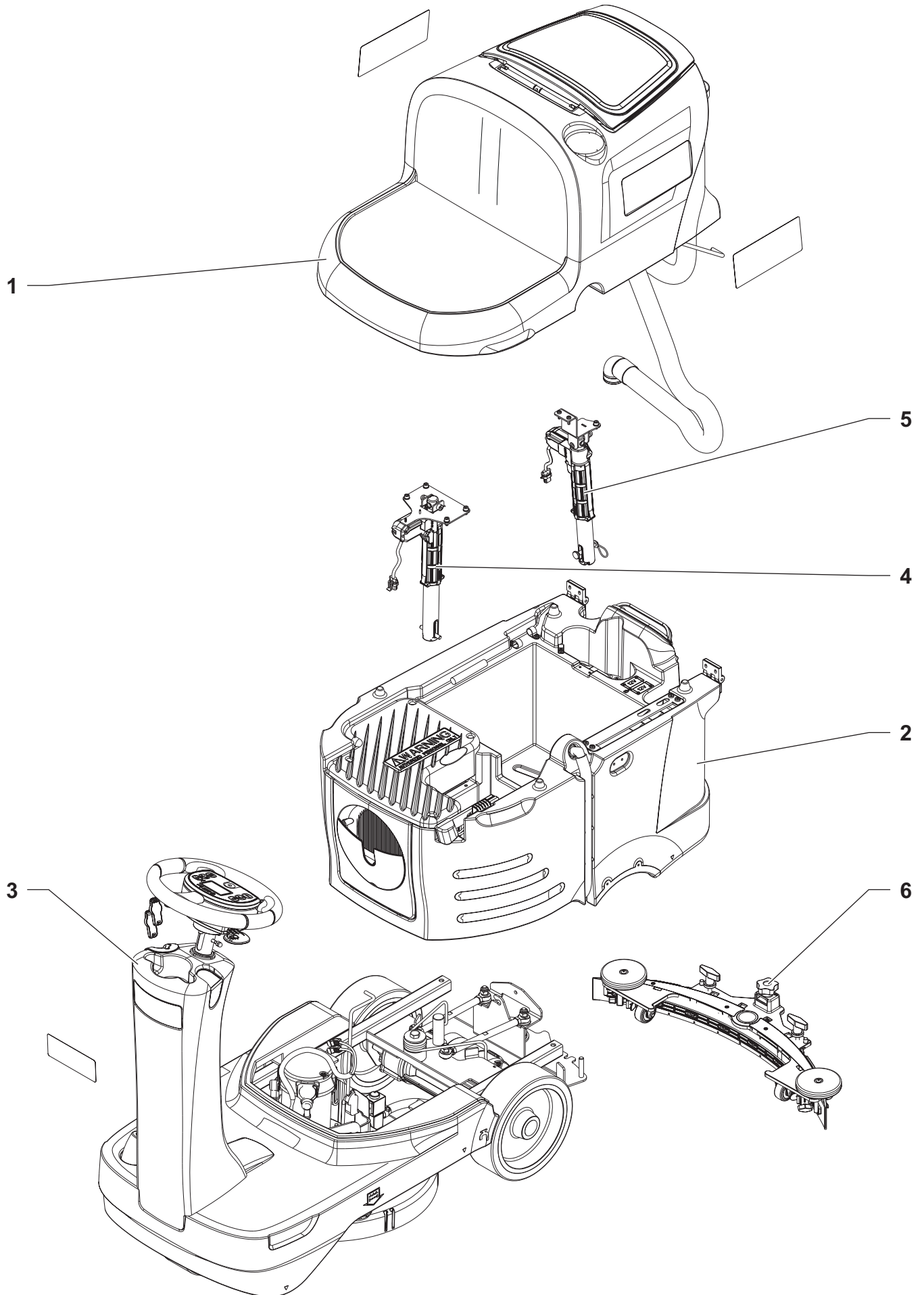
Serial No.

* = Optional

= Modified item No. or New item No.

[] = Not shown

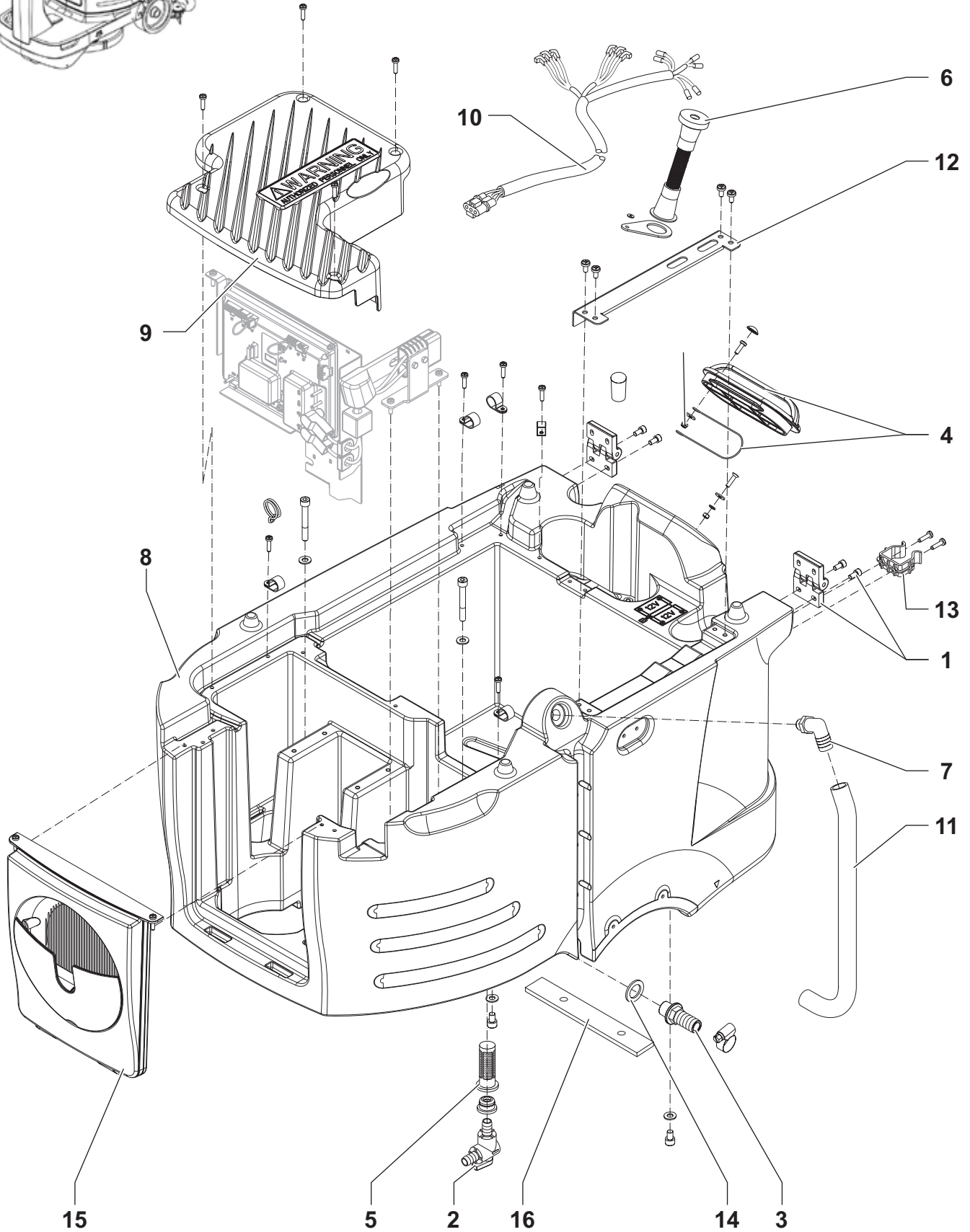
GENERAL VIEW



GENERAL VIEW

KIT	ITEM	REF. NO.	QTY	DESCRIPTION
	1		1	RECOVERY ASSEMBLY ASSIEME
	2		1	SOLUTION NILFISK ASSEMBLY
	3		1	BODY MACHINE NILFISK ASSEMBLY
	4		1	ACTUATOR FRONT ASSEMBLY
	5		1	ACTUATOR REAR ASSEMBLY
	6		1	SQUEEGEE ASSEMBLY

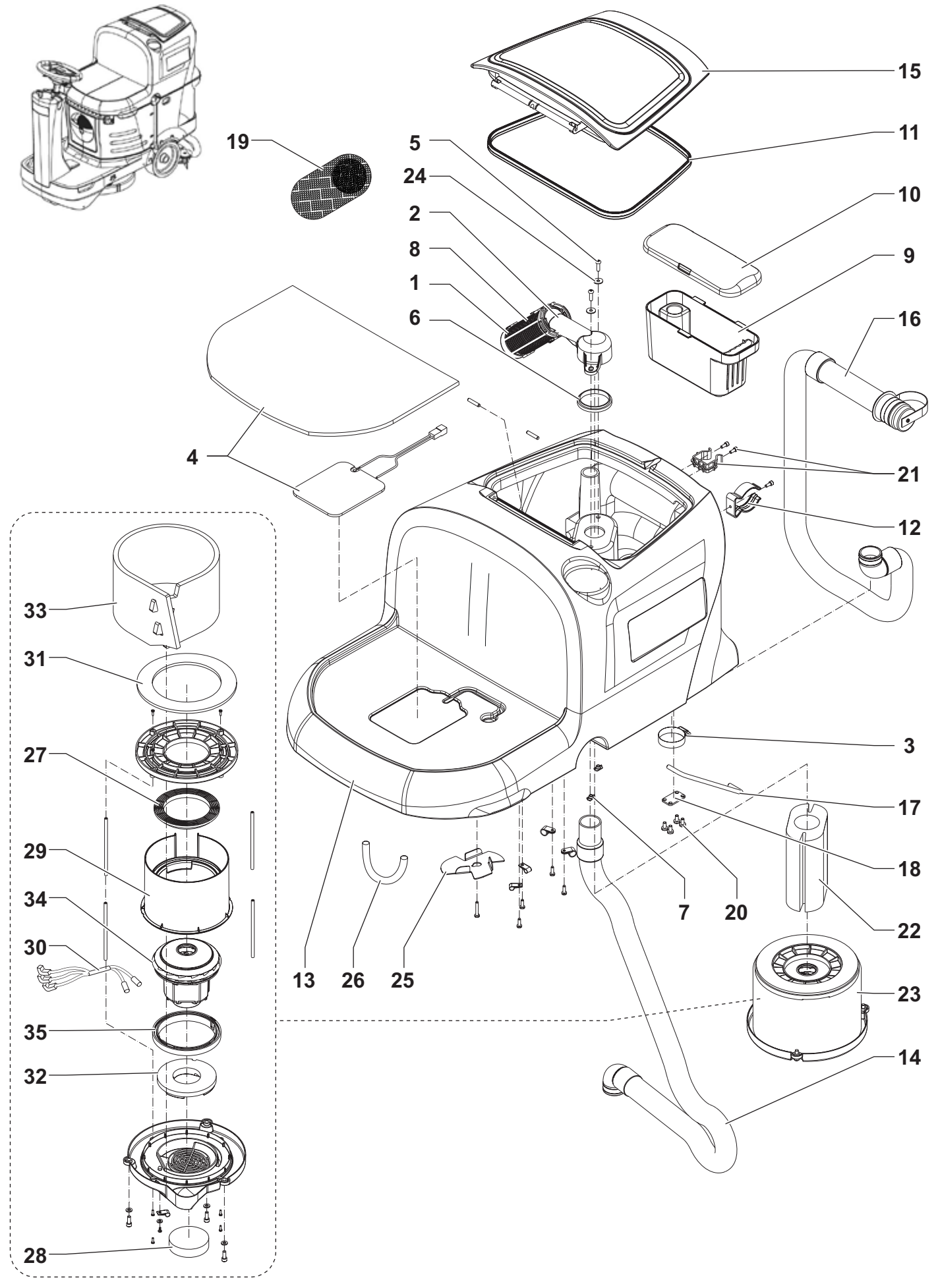
SOLUTION TANK



SOLUTION TANK

KIT	ITEM	REF. NO.	QTY	DESCRIPTION
	1	9098329000	1	HINGES KIT
	2	9100000803	1	VALVE ELBOW PKD
	3	9100000574	1	FITTING STRAIGHT G1/2 D.20 KIT
	4	1465355000	1	CAP SOLUTION TANK KIT
	5*	9100001192	1	FILTER SOLUTION TANK PKD
	6*	9100000952	1	FILLING HOSE
		9100001072	1	INSTRUCTIONS INSTALL. KIT 9100000952
	7	9100000771	1	FITTING 90. M 3/8-18 NPT HOSE D.19 PKD
	8	9100001094	1	TANK SOLUTION 70 LT GREY PKD
	9	9100001102	1	COVER BATTERY CHARGER PKD
	10	9100001120	1	HARNES TANK PKD
	11	9100001128	1	HOSE FRESH WATER LEVEL PKD
	12	9100001129	1	SUPPORT F SAFETY BAR PKD
	13	9100001164	1	CLAMP HOSE D.40 BLACK KIT
	14	9100001139	2	GASKET RUBBER D.21X33X2.5 BLACK PKD
	15	9100001182	1	COVER FUNCTIONS CARD KIT
	16	9100001150	1	PROTECTION RUBBER ADHESIVE F TANK PKD

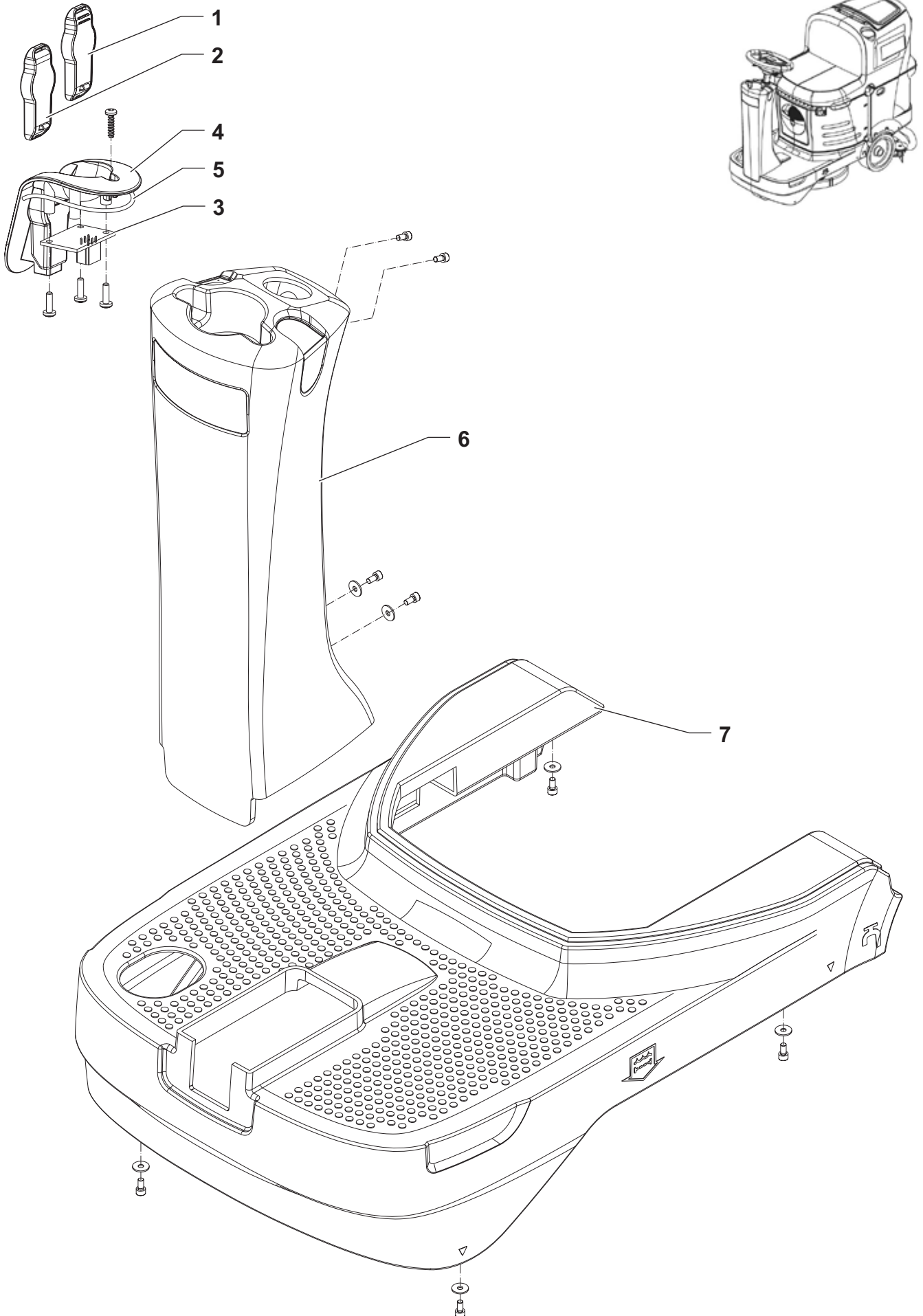
RECOVERY TANK



RECOVERY TANK

KIT	ITEM	REF. NO.	QTY	DESCRIPTION
	1	9100000817	1	BALL FLOATING PKD
K1	2		1	CAGE FLOAT
	3	9100001187	1	CLAMP 14/32-52 10 PCS SET
	4	9100001130	1	CUSHION SEAT W. MICROSWITCH PKD
K1	5		2	SCREW M6X20 ISO7380 SS
K1	6	9100000928	1	GASKET FLOAT SUPPORT PKD
K1	7		2	NUT JAW M6X6 INOX SS
	8	9100000818	1	CAGE FLOAT HALF 2 PCS SET
	9	9100001091	1	TRAY DEBRIS PKD
	10	9100001092	1	COVER TRAY DEBRIS PKD
	11	9100001153	1	GASKET RUBBER L.1200MM PKD
	12	909 6380 000	1	CLAMP KIT
	13	9100001095	1	TANK RECOVERY 70 LT GREY PKD
	14	9100001106	1	HOSE SUCTION BLACK PKD
	15	9100001111	1	COVER RECOVERY TANK PKD
	16	9100001113	1	HOSE DRAIN BLACK PKD
K2	17		1	BAR SAFETY F TANK
K2	18		1	PLATE F SAFETY BAR
	19*	909 5065 000	1	FILTER ANTIFOAMING
K2	20		4	SCREW M6X12 ISO7380
	21	9100001164	1	CLAMP HOSE D.40 BLACK KIT
	22	9100001143	1	SOUNDPROOFING UPPER VACUUM MOT. PKD
	23	9100001181	1	MOTOR VACUUM 24V 310W KIT
K1	24		2	WASHER 6X18X1.5 UNI6593 SS
	25	9100001146	1	PLATE HARNESS PROTECTION PKD
	26	9100001154	1	HOSE CORRUGATED BLACK D.6 L.150MM PKD
K3	27		1	MOTOR GASKET LOWER DOMEL
K3	28		1	FILTER
	29	9100000822	1	SUPPORT INT. INSULATION VAC. MOTOR PKD
	30	9100001116	1	HARNESS VACUUM MOTOR PKD
K3	31		1	GASKET F VACUUM UPPER COVER
K3	32		1	GASKET F VACUUM LOWER COVER
	33	9100001142	1	SOUNDPROOFING VACUUM MOTOR PKD
	34	9100001144	1	MOTOR VACUUM 24V 310W PKD
K3	35		1	RUBBER SEALING DOMEL UPPER
	[K1]	9099767000	1	SUPPORT FLOAT KIT
	[K2]	9100001165	1	BAR SAFETY F TANK KIT
	[K3]	9100001166	1	GASKETS VACUUM MOTOR KIT

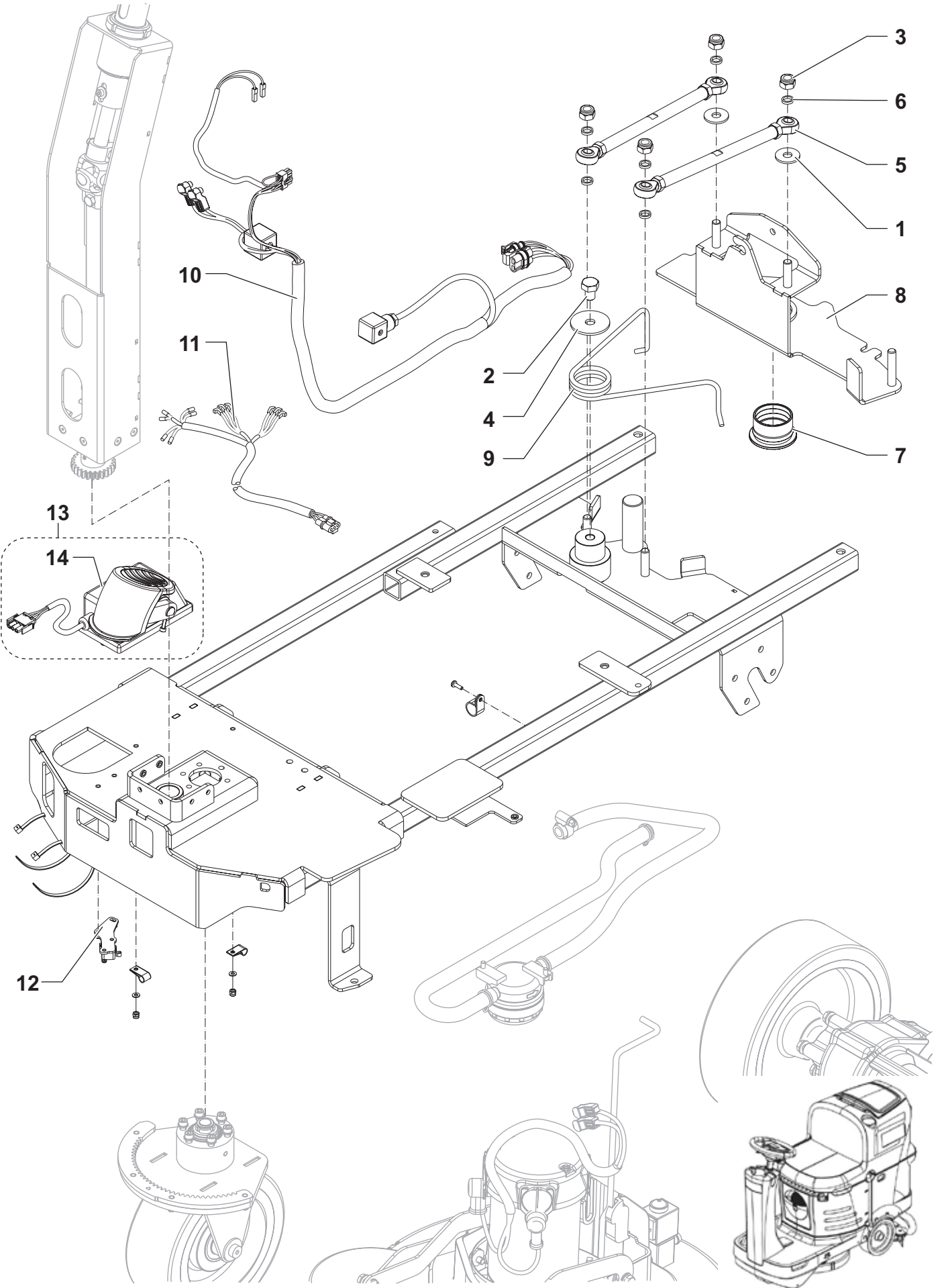
FOOTBOARD, COLUMN AND KEY HOUSING



FOOTBOARD, COLUMN AND KEY HOUSING

KIT	ITEM	REF. NO.	QTY	DESCRIPTION
	1*	9100000843	1	OPERATOR KEY
	2*	9100000848	1	SUPERUSER KEY
	3	9100001105	1	CARD ELECTRONIC KEY PKD
	4	9100001127	1	HOUSING OPERATOR KEY PKD
	5	9100001148	1	GASKET F OPERATOR KEY HOUSING PKD
	6	9100001117	1	COLUMN STEERING GREY PKD
	7	9100001097	1	FOOTBOARD GREY PKD

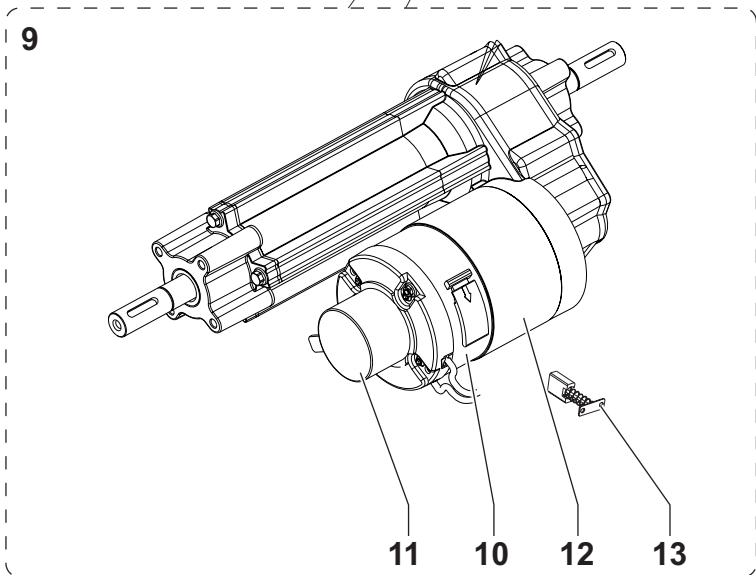
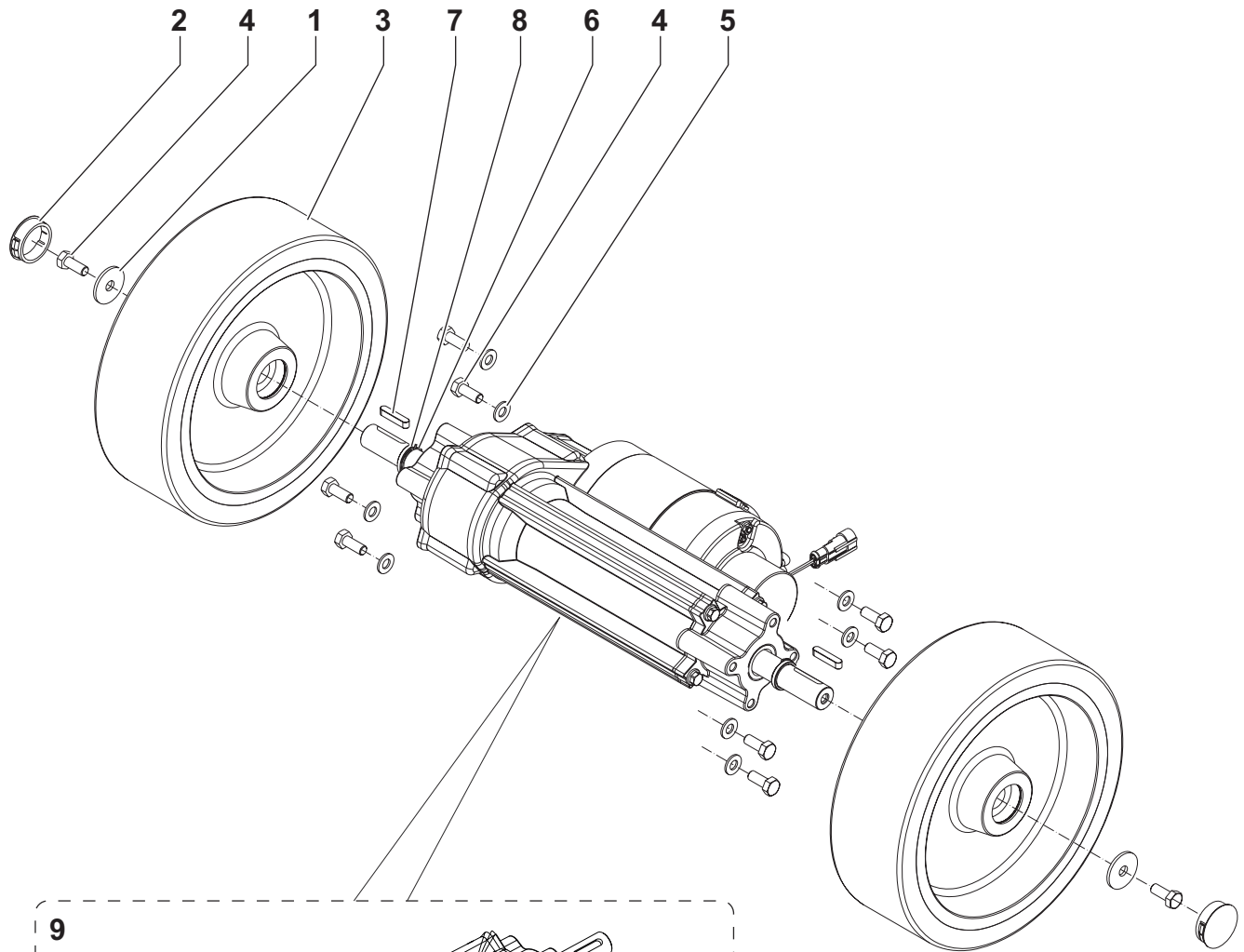
CHASSIS



CHASSIS

KIT	ITEM	REF. NO.	QTY	DESCRIPTION
K1	1		2	WASHER 10X30 UNI6593
K2	2		1	SCREW M12X16 UNI5739
K1	3		4	NUT SELF L. M10 UNI7473
K2	4		1	WASHER 12X48X3 UNI6593
	5	9100001090	2	ROD EYE M10 PKD
K1	6		6	SPACER D.10.5X14X3MM
	7	9100001096	1	SLEEVE SUCTION HOSE PKD
	8	9100001108	1	SUPPORT SQUEEGEE PKD
K2	9		1	SPRING ZERO SETTING SQUEEGEE
	10	9100001119	1	HARNESS MACHINE PKD
	11	9100001121	1	HARNESS FOOTBOARD PKD
	12	9100001183	1	MICROSWITCH KIT
	13	9100001180	1	THROTTLE KIT
	14	9100001140	1	THROTTLE ELECTRONIC PKD
[K1]		9100001167	1	HARDWARE SAFETY BAR KIT
[K2]		9100001168	1	SPRING ZERO SETTING SQUEEGEE KIT

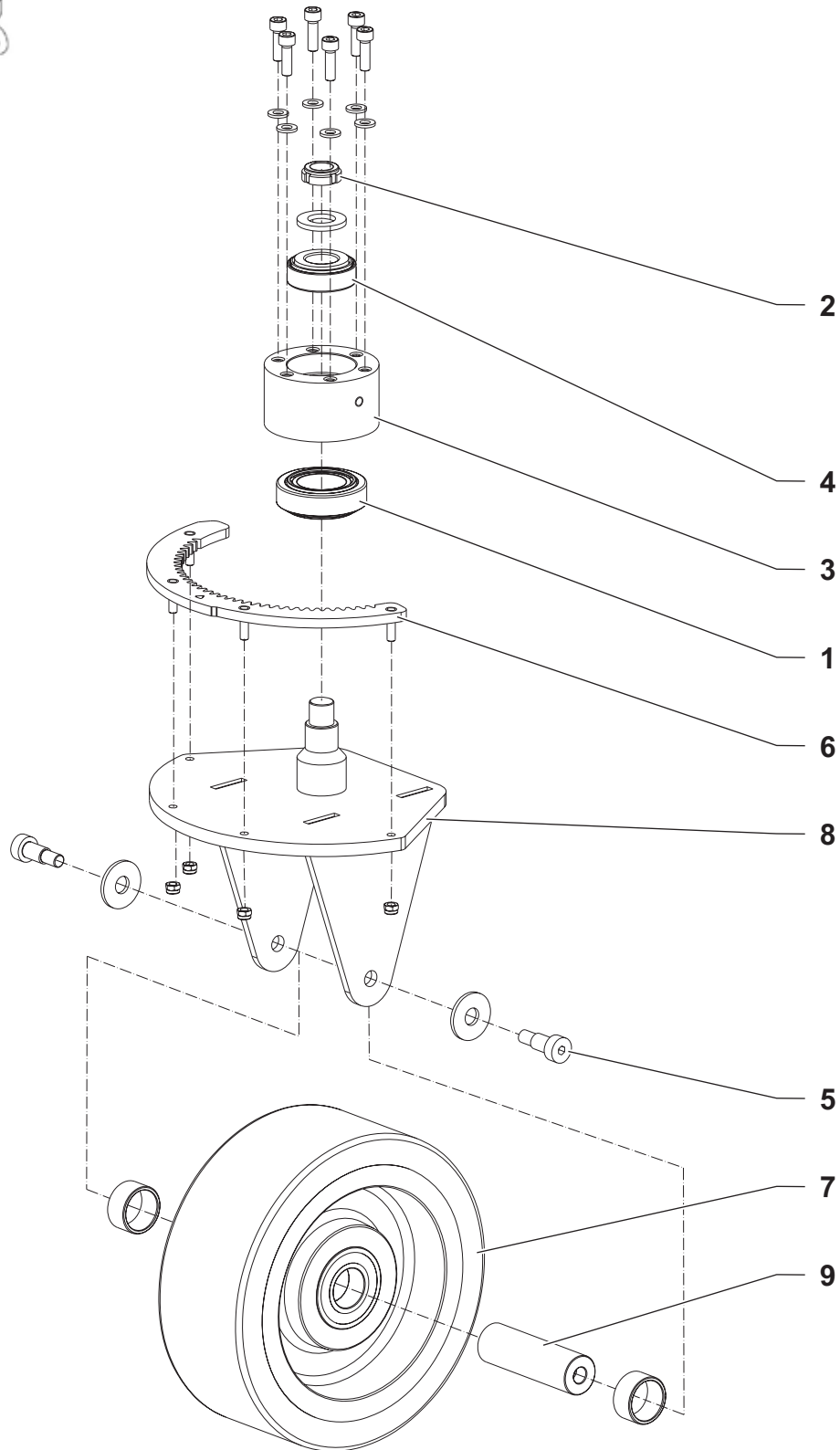
MOTOR DRIVE



MOTOR DRIVE

KIT	ITEM	REF. NO.	QTY	DESCRIPTION
K1	1		2	WASHER 8.5X32X2 SS
K1	2		2	CAP D.38.1
	3	9100001162	1	WHEEL D.254X80 GREY-BLACK 2 PCS SET
K1	4		10	SCREW M8X20 UNI5739 SS
	5	9100001190	1	WASHER M8 UNI6592 SS10 PCS SET
	6	9100001185	1	RING D 20 UNI7435 10 PCS SET
	7	9100001156	1	KEY JOINT 6X30 UNI6604A 10 PCS SET
	8	9100001161	1	SPACER 20.5X25X4 10 PCS SET
	9	9100001099	1	MOTOR DRIVE 400W 24V 125RPM PKD
	10	9100001198	1	BAND METAL F ELECTRIC MOTOR FIXING KIT
	11	9100001199	1	ELECTROMAGNETIC BRAKE PKD
	12	9100001200	1	MOTOR ELECTRIC 400W 24V PKD
	13	1464432000	1	CARBON BRUSHES KIT 4 PCS
[K1]		9100001169	1	HARDWARE WHEEL D.254X80 KIT

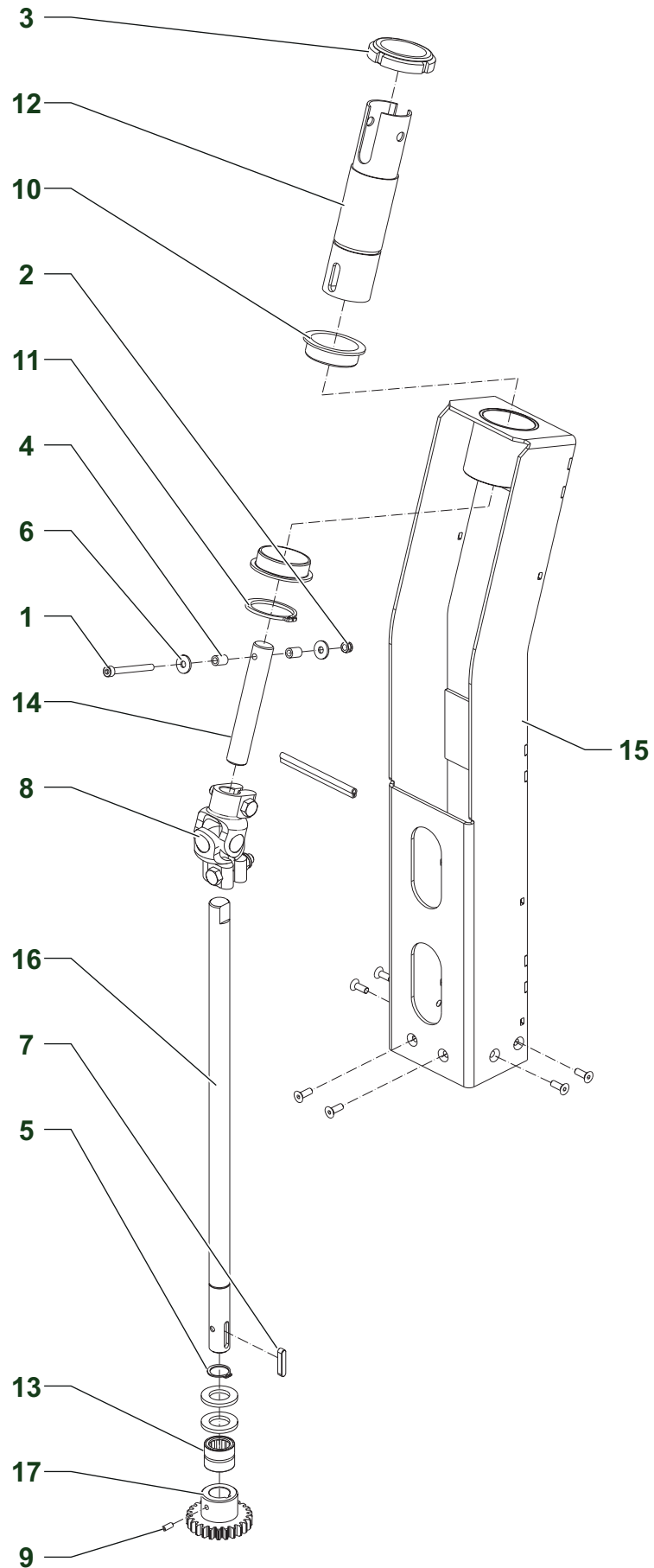
FRONT WHEEL SYSTEM



FRONT WHEEL SYSTEM

KIT	ITEM	REF. NO.	QTY	DESCRIPTION
	1	145 4691 000	1	BEARING TAPER ROLLER 32006
	2	9100001188	1	NUT RING M15X1 KMA2 LIGHT S. 10 PCS SET
	3	909 5941 000	1	SUPPORT BALL BEARING
	4	909 5942 000	1	BEARING TAPER ROLLER 32004X
	5	9100001160	1	SCREW 10X16 M8 ISO7379 12.9 10 PCS SET
	6	9100001112	1	CROWN STEERING PKD
	7	9100001098	1	WHEEL D.200X76 GREY-BLACK PKD
	8	9100001100	1	SUPPORT WHEEL PKD
	9	9100001101	1	PIN WHEEL PKD

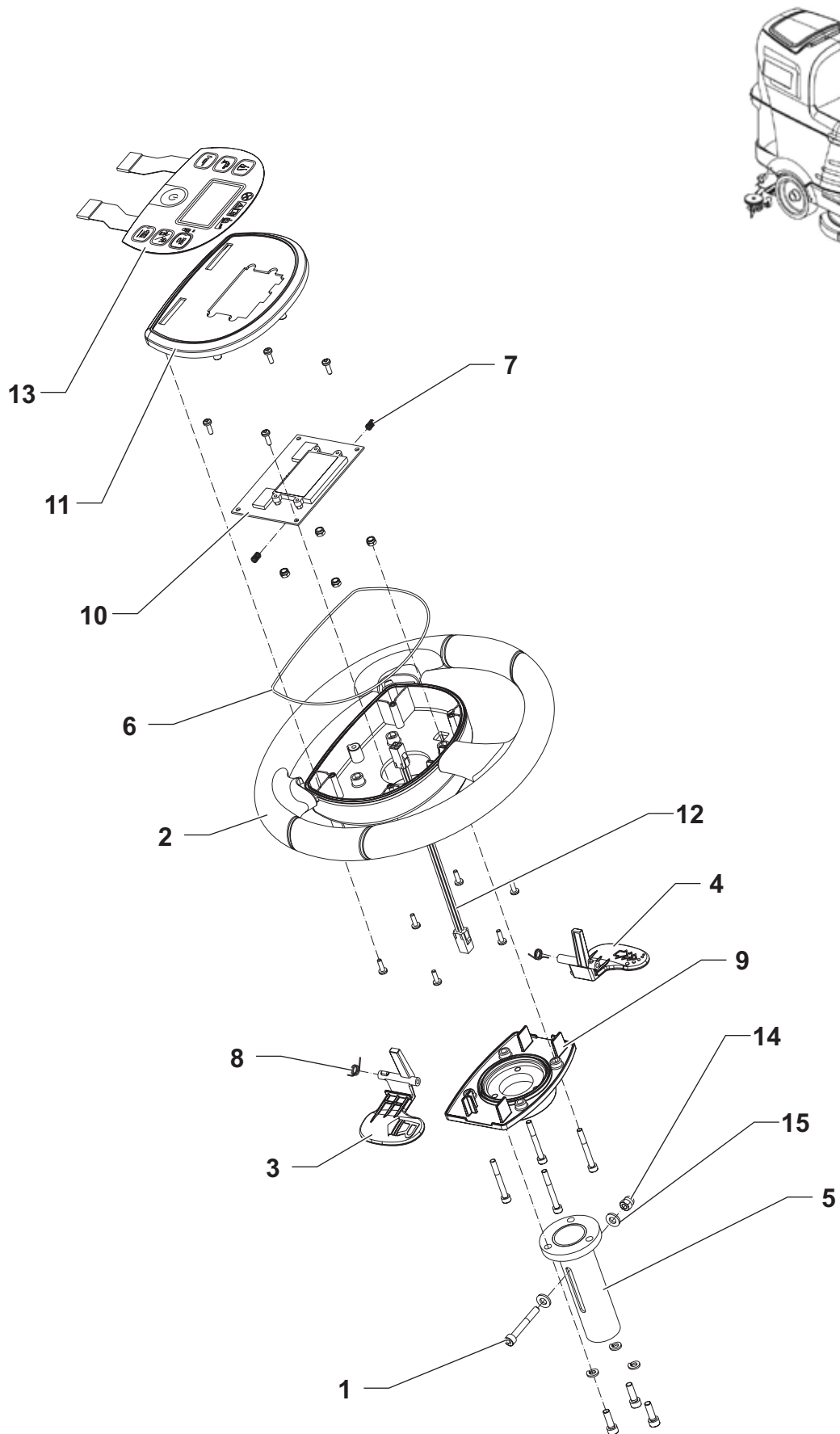
STEERING COLUMN SYSTEM



STEERING COLUMN SYSTEM

KIT	ITEM	REF. NO.	QTY	DESCRIPTION
K1	1		1	SCREW M5X50 UNI5931 5X50
K1	2		1	NUT SELF L. M5 UNI7474
	3	9100001155	1	NUT RING M40X1.5 KMA8 10 PCS SET
K1	4		2	SPACER D.5X8X11.5
	5	9100001184	1	RING D 17 UNI7435 10 PCS SET
K1	6		2	WASHER 5X15X1.5 UNI6593
	7	1466146000	1	KEY 5X5X25 UNI6604A PKD
	8	1466319000	1	JOINT UNIVERSAL D.17 PKD
	9	9100001189	1	SCREW GRUB M5X10 UNI5929 10 PCS SET
	10	9100001085	2	BEARING FLANGE IGLIDUR GFM-4044-14 PKD
	11	9100001087	1	RING D.40 UNI7436 PKD
	12	9099425000	1	TUBE STEERING KIT
	13	9100001093	1	BEARING NEEDLE ROLLER NK 17/20 PKD
	14	9100001107	1	SHAFT STEERING UPPER PKD
	15	9100001109	1	SUPPORT STEERING COLUMN PKD
	16	9100001110	1	SHAFT STEERING LOWER PKD
	17	9100001125	1	PINION Z25 PKD
[K1]		9100001170	1	HARDWARE STEERING TUBE KIT

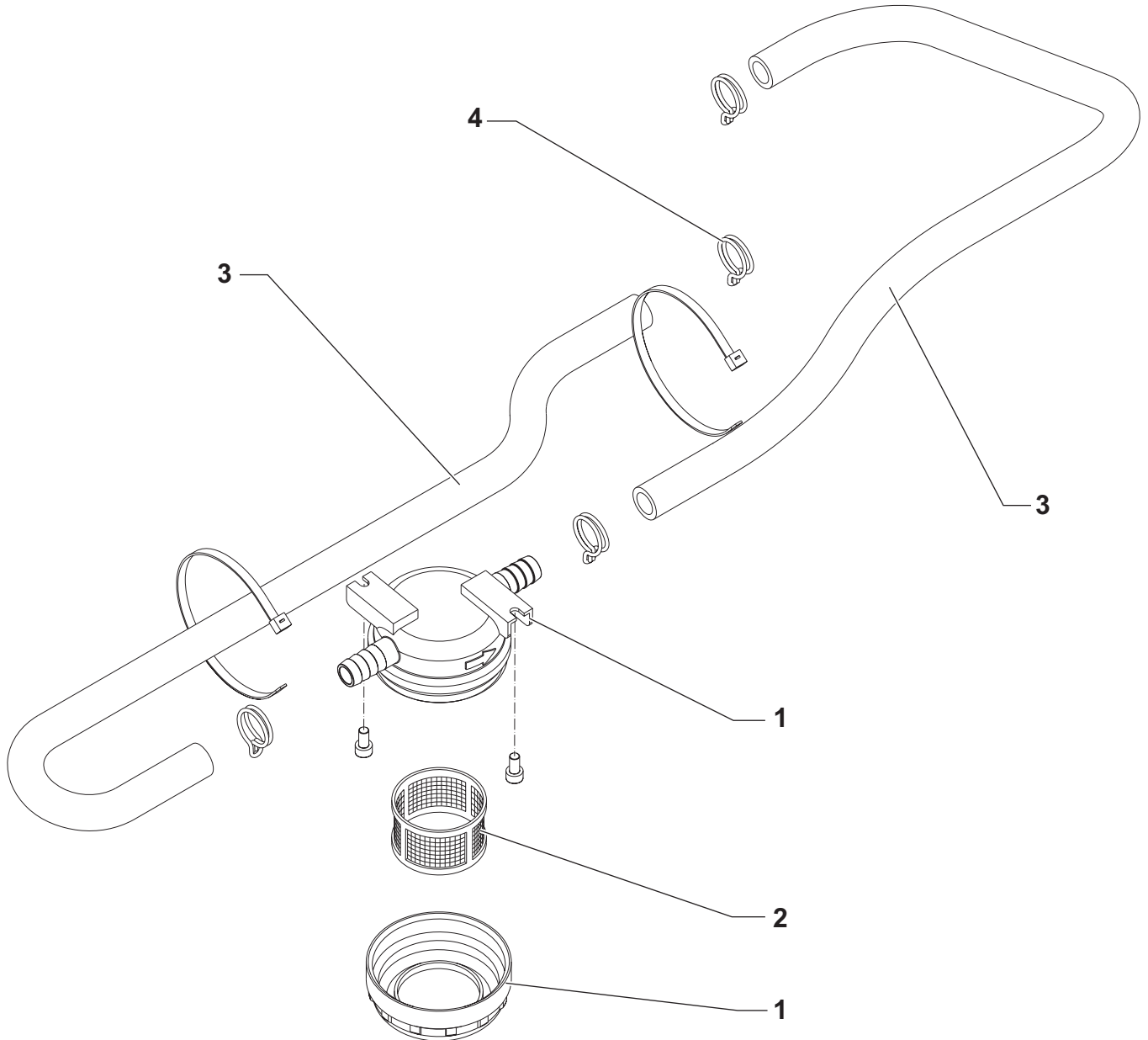
STEERING WHEEL



STEERING WHEEL

KIT	ITEM	REF. NO.	QTY	DESCRIPTION
K1	1		1	SCREW M6X20 UNI5931
	2	9100001082	1	WHEEL STEERING D.320X281 PKD
	3	9100001083	1	LEVER RIGHT PA YELLOW PKD
	4	9100001084	1	LEVER LEFT PA BLACK PKD
	5	9100001086	1	TUBE ADJUST.STEERING WHEEL PKD
	6	9100001088	1	GASKET ROUND D.2MM PKD
	7	9100001157	1	SPRING MOVING BOTTON 10 PCS SET
	8	9100001158	1	SPRING TORSION FOR STEERING 10 PCS SET
	9	9100001089	1	COVER LOWER PKD
	10	9100001104	1	CARD ELECTRONIC DISPLAY PKD
	11	9100001114	1	COVER STEERING WHEEL PKD
	12	9100001115	1	CABLE DISPLAY CARD EXTENSION PKD
	13	9100001123	1	DASHBOARD CONTROL PANEL PKD
K1	14		1	NUT HEX M6 UNI5721
K1	15		2	WASHER M6 UNI6592
[K1]		9100001171	1	HARDWARE STEERING WHEEL KIT

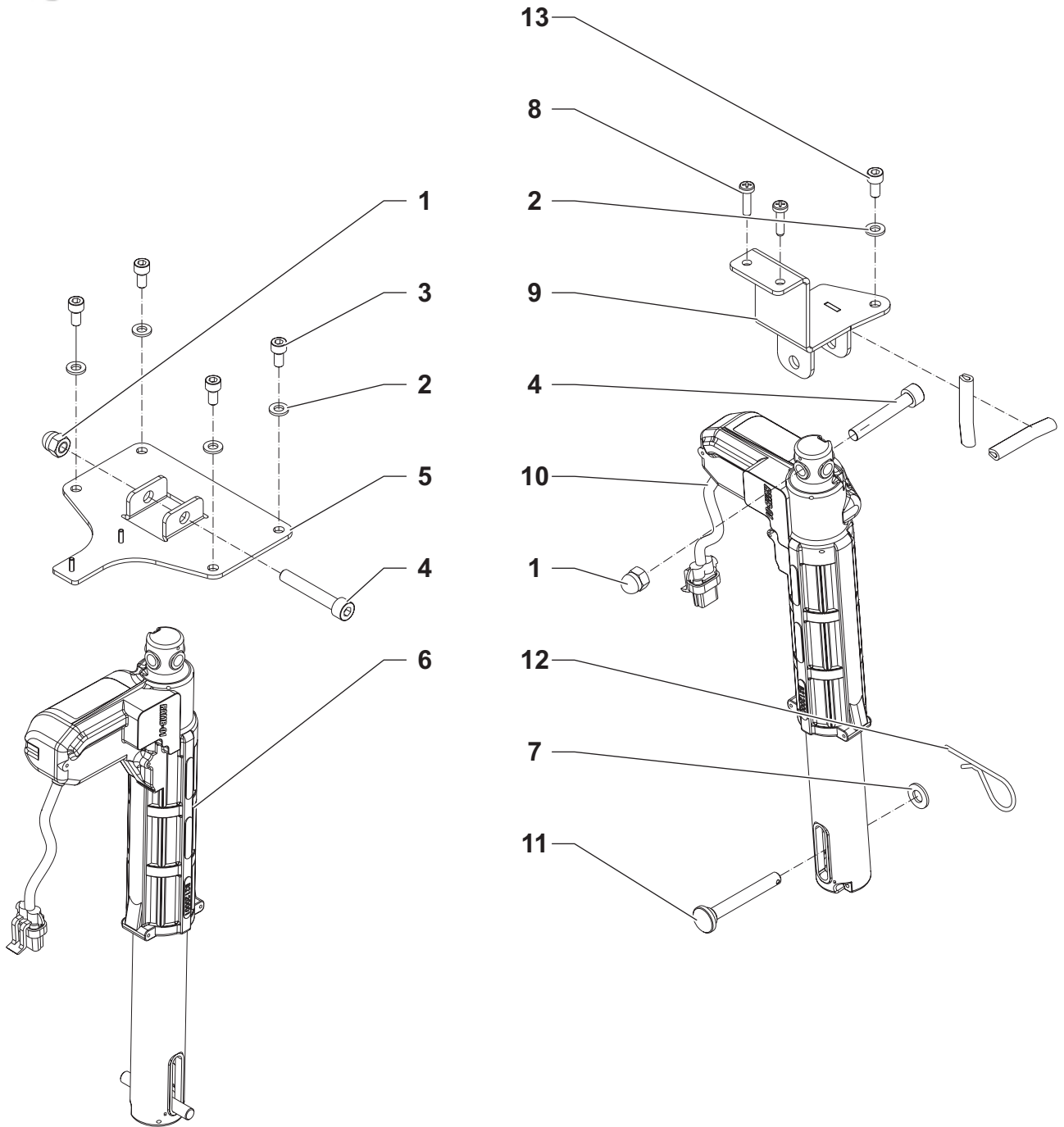
SOLUTION SYSTEM



SOLUTION SYSTEM

KIT	ITEM	REF. NO.	QTY	DESCRIPTION
	1	910000860	1	FILTER WATER PKD
	2	910000861	1	NET WATER FILTER REINFORCED PKD
	3	910001174	1	HOSES SOLUTION KIT
	4	910001159	1	CLAMP DOUBLE W. SPRING D.18 10 PCS SET

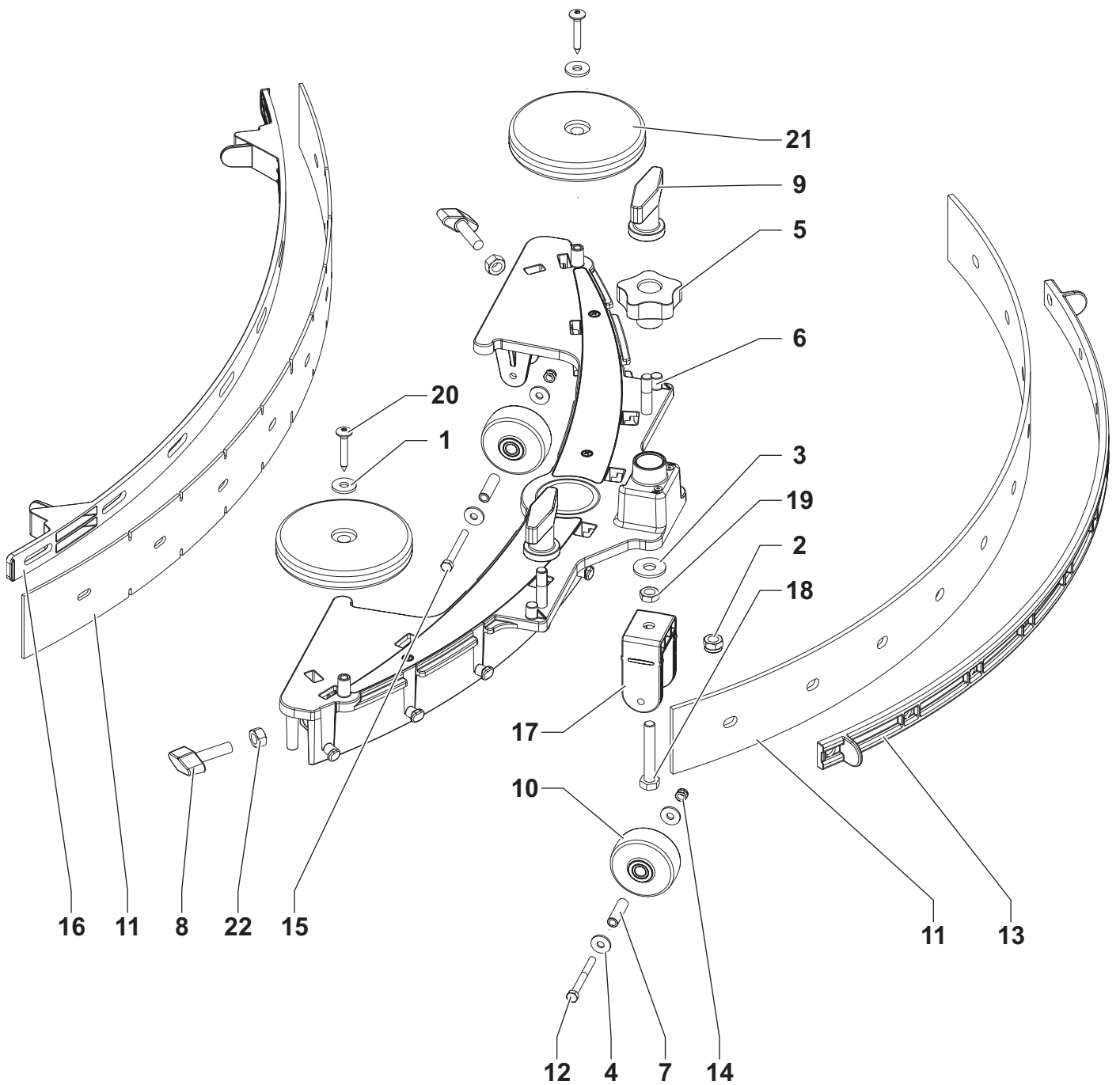
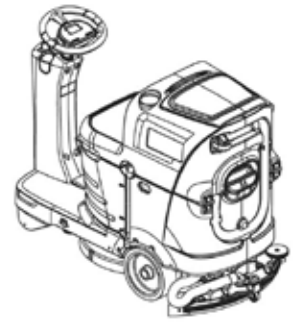
ACTUATORS



ACTUATORS

KIT	ITEM	REF. NO.	QTY	DESCRIPTION
K2	1		2	NUT.M8
K1	2		5	WASHER M6 UNI6592
K1	3		5	SCREW M6X12 UNI5931 SS
K2	4		2	SCREW M8X50 UNI5931 THREADED TOTALLY
	5	9100001126	1	SUPPORT DECK ACTUATOR PKD
	6	9100001131	1	ACTUATOR 24V DC STROKE 98MM PKD
K2	7		1	WASHER M8 UNI6592
K1	8		2	SCREW CYL HD 5X20 SELF L. PLASTOFAST
	9	9100001103	1	SUPPORT SQUEEGEE ACTUATOR PKD
	10	9100001133	1	ACTUATOR 24V DC STROKE 77.5MM PKD
K2	11		1	PIN SQUEEGEE ACTUATOR
K2	12		1	PIN SPLIT 2X50 UNI8833
K1	13		1	SCREW M6X12 UNI5931
	[K1]	9100001172	1	HARDWARE ACTUATOR SUPPORT KIT
	[K2]	9100001173	1	HARDWARE ACTUATOR KIT

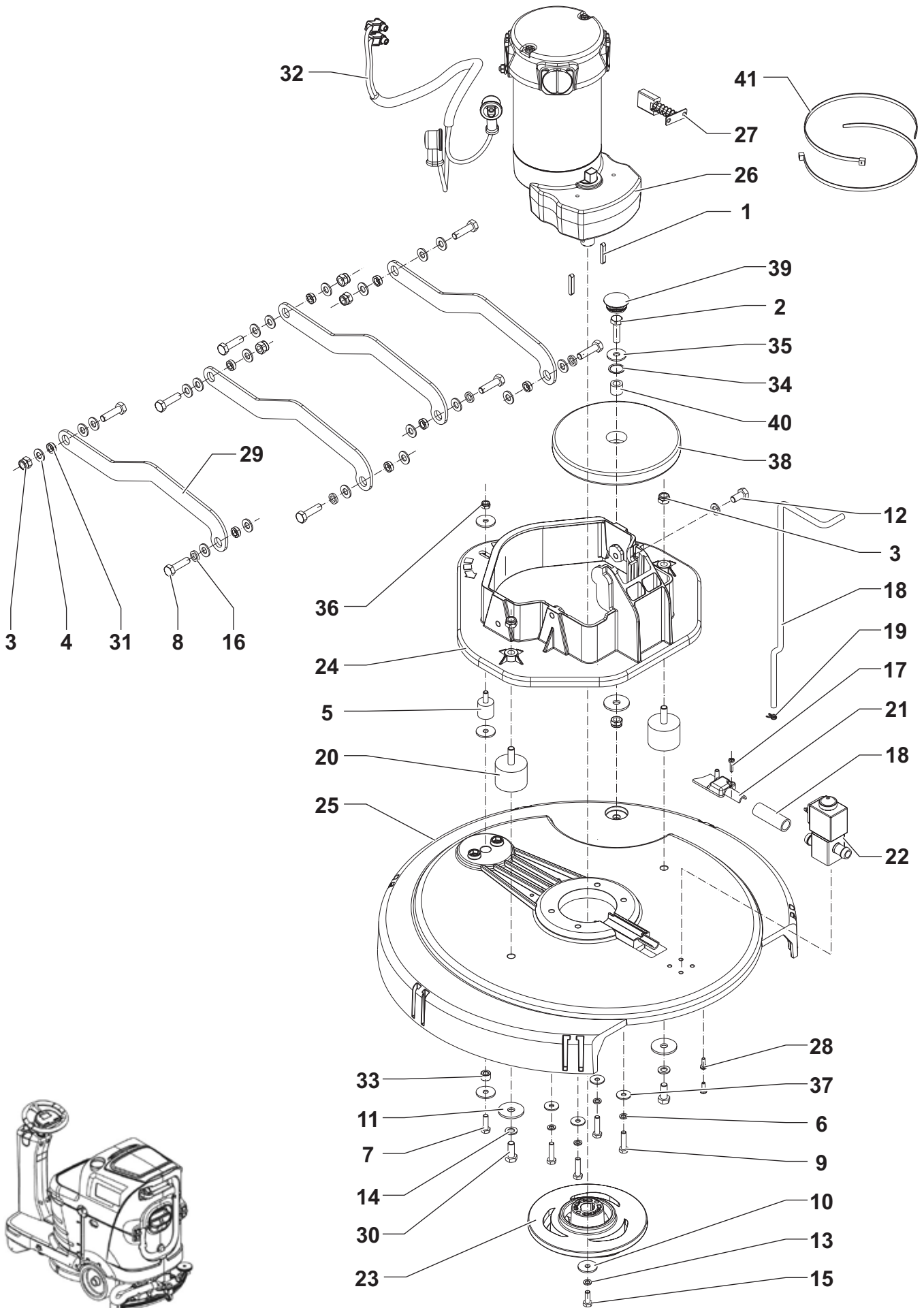
SQUEEGEE SYSTEM



SQUEEGEE SYSTEM

KIT	ITEM	REF. NO.	QTY	DESCRIPTION
K1	1		2	WASHER 6X18X1.5 UNI6593 SS
K1	2		1	NUT SELFLOCKING LOW M8 UNI7474 SS
K1	3		1	WASHER 8X24 UNI6592 SS
K1	4		6	WASHER 5X15X1.2 UNI6593 SS
	5	9100000862	1	KNOB LOBES M8 FEMALE PKD
	6	9100000747	1	SQUEEGEE 730MM/29 PRE-ASSEMBLED PKD
K1	7		3	SPACER 5.1X8X28.5 PLASTIC
	8	9100000791	2	KNOB M8X30 THD STUD SS PKD
	9	9097637000	1	SQUEEGEE FIXING KIT
	10	9100000559	3	WHEEL D.51 GREY PKD
	11*	9100000810	1	BLADE SQUEEGEE 740MM 29 GUM KIT
	11*	9100000490	1	BLADE SQUEEGEE 730MM 29 PU KIT
	11*	9100000060	1	BLADE SQUEEGEE 730MM 29 RED GUM KIT
K1	12		1	SCREW M5X50 UNI5737 SS
	13	9100000864	1	STRAP ELASTIC F REAR SQUEEGEE BL. PKD
K1	14		3	NUT SELFLOCKING LOW M5 UNI7474 SS
K1	15		2	SCREW M5X45 UNI5737 SS
	16	9100000865	1	STRAP FRONT SQUEEGEE BLADE PKD
	17	9100000866	1	SUPPORT SQUEEGEE WHEEL PKD
K1	18		1	SCREW M8X50 HEX HD F/THD SS ISO4017
K1	19		1	NUT HEX M8 ISO4035 SS
K1	20		2	SCREW 5X35 SELF THD TAPPING AW20 BLACK
	21	9100000867	1	GUIDE WHEEL 2 PCS SET
K1	22		2	NUT HEX M8 UNI5588 SS
	[K1]	9100000748	1	HARDWARE SQUEEGEE KIT

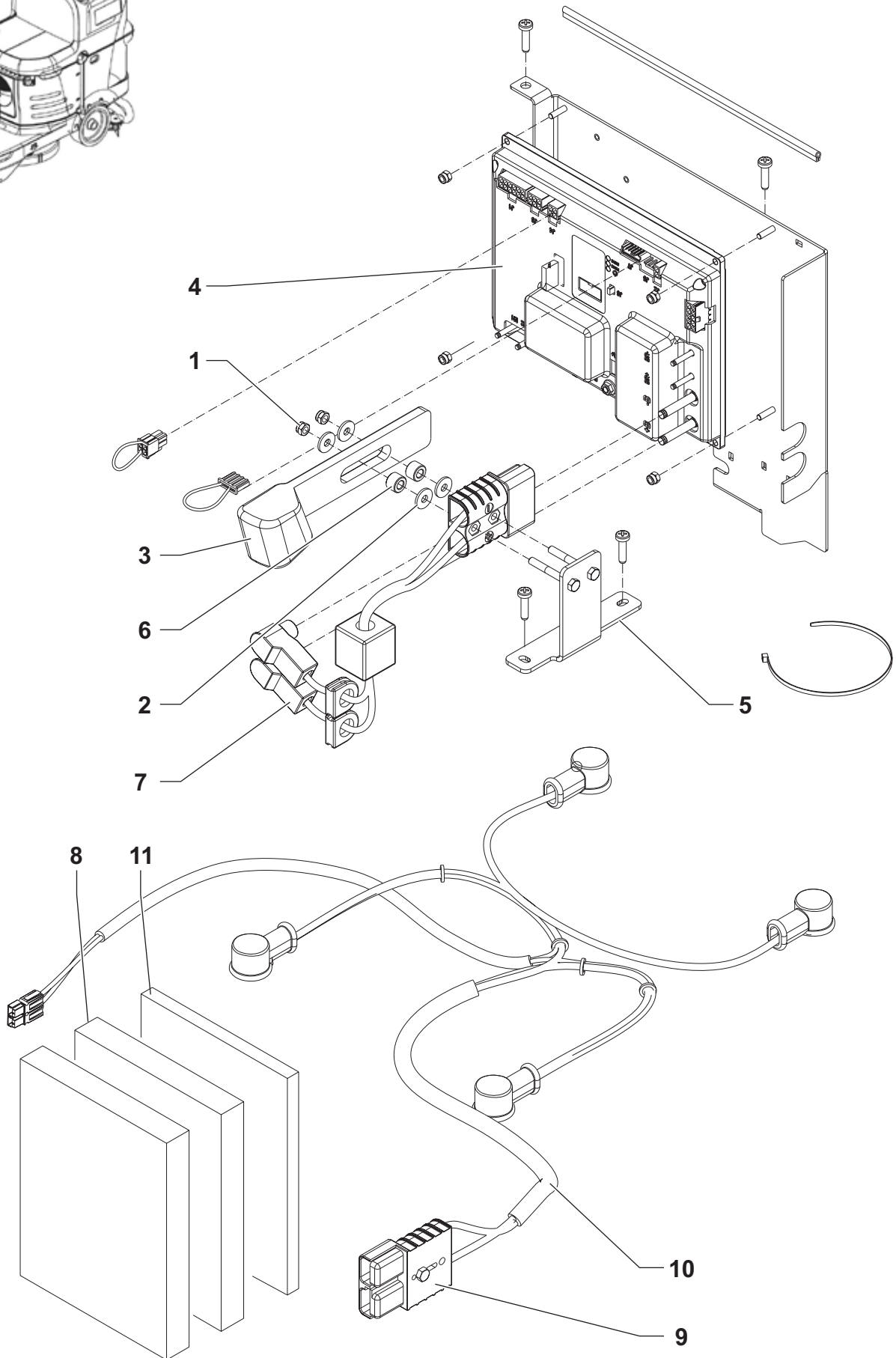
BRUSH DECK



BRUSH DECK

KIT	ITEM	REF. NO.	QTY	DESCRIPTION
	1	9100000875	1	KEY 5X5X30 DIN6885 2 PCS SET
K1	2		1	SCREW M8X30 UNI5739
K2-3	3		7	NUT SELFLOCKING LOW M8 UNI7474 SS
K2	4		20	WASHER M8 UNI6592 SS
	5	9100001191	1	VIBRATION-DAMPING M6 60SH PKD
K3	6		5	WASHER M6 UNI8842A SS
	7	9100001186	1	SCREW M6X20 UNI5739 SS 10 PCS SET
K2	8		8	SCREW M8X25 UNI5739 SS
K3	9		4	SCREW M6X25 UNI5739 SS
K3	10		4	WASHER 6.6X24X2 UNI6593 SS
K3	11		3	WASHER 8.5X32X2 SS
K3	12		1	SCREW M8X16 UNI5739 SS
K3	13		1	WASHER NORD LOCK M6 DIN25201
K3	14		3	WASHER M8 UNI8842A SS
K3	15		1	SCREW M6X16 UNI5739 SS
K2	16		4	WASHER NORD LOCK M8
K3	17		1	SCREW 3.5X16 SELF THD PAN PHIL F PLASTIC
	18	9100000797	1	HOSES BRUSH DECK KIT
K3	19		1	CLAMP 6.6X 7
	20	9100000868	1	VIBRATION DAMPING M8 60SH 2 PCS SET
	21	9100000869	1	COVER SOLUTION HOSE SUPPORT PKD
	22	9100000870	1	SOLENOID VALVE 24V PKD
	23	9100000871	1	HUB BRUSH PKD
	24	9100000872	1	PLATE BRUSH DECK HOLDER PKD
	25	9100000873	1	DECK BRUSH PKD
	26	9100000874	1	REDUCTION GEARMOTOR 450W 24V PKD
	27	9098376000	1	CARBON BRUSHES KIT 4 PCS
K3	28		2	SCREW PAN HD SELF 4x12 SS
	29	9100001163	1	ARM BRUSH DECK LIFTING 4 PCS SET
K3	30		2	SCREW M8X20 UNI5739 SS
K2	31		8	BUSHING D.8.1X13X4.3
	32	9100001132	1	HARNESS BRUSH MOTOR PKD
K3	33		1	SPACER D.6X12X8.5
K1	34		1	WASHER 15
K1	35		1	WASHER 8X24X2 FLAT ISO7093
K3	36		1	NUT SELF L. M6 UNI7474 SS
K3	37		4	WASHER 6X18X1.5 UNI6593 SS
K1	38		1	ROLLER BUMPER D.160 BLACK
K1	39		1	CAP. BLACK
K1	40		1	SPACER 9X15X13
K3	41		2	TIE CABLE 4.8X500 BLACK
[K1]	909 6887 000		1	ROLLER BUMPER KIT
[K2]	9100001175		1	HARDWARE BRUSH DECK LIFTING ARMS KIT
[K3]	9100001176		1	HARDWARE BRUSH DECK KIT

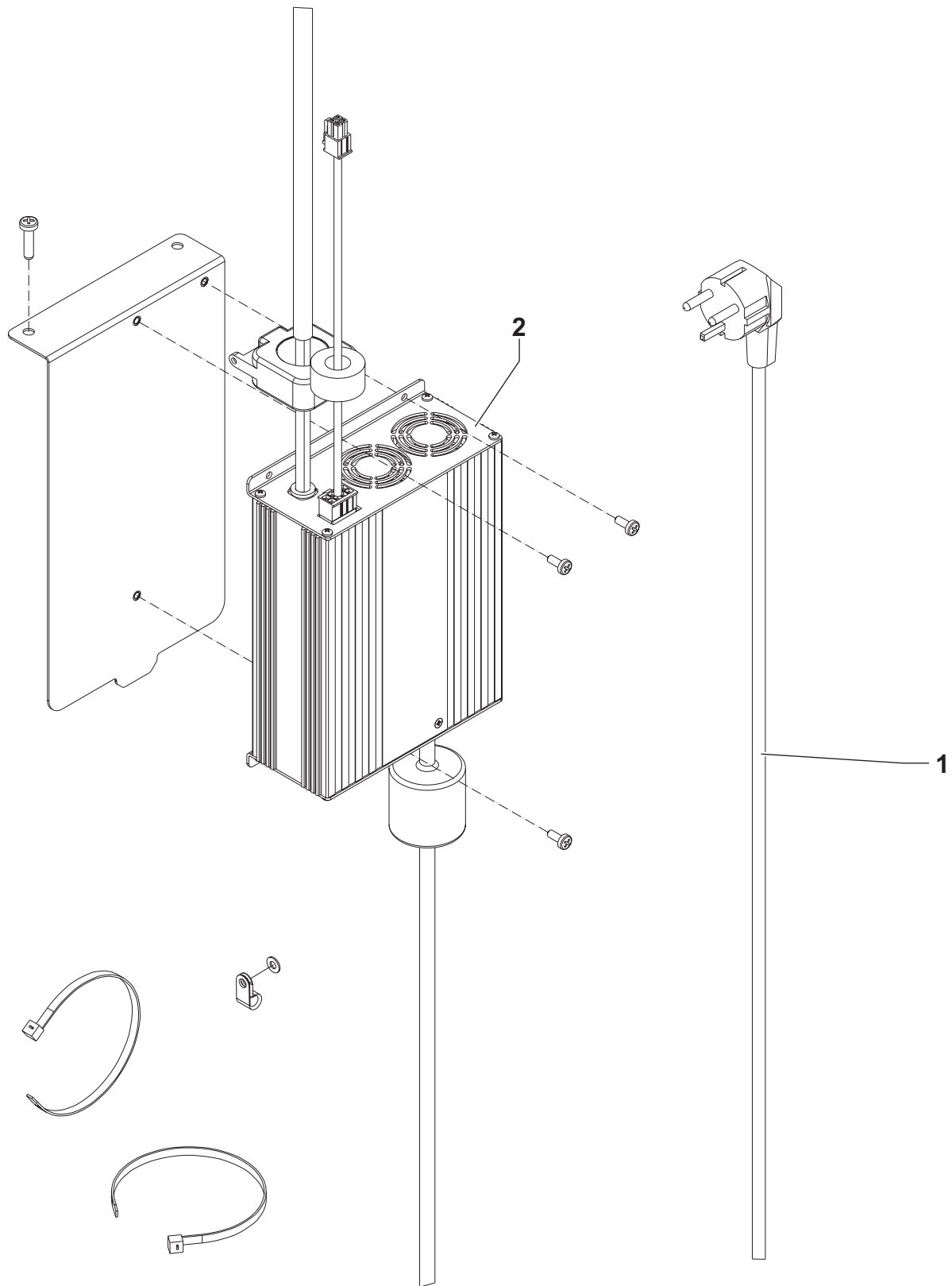
ELECTRICAL SYSTEM



ELECTRICAL SYSTEM

KIT	ITEM	REF. NO.	QTY	DESCRIPTION
K2	1		2	NUT SELF L. M5 UNI7474
K2	2		4	WASHER 5X15X1.5 UNI6593
K2	3		1	LEVER BATTERY CONNECTOR
	4	9100001122	1	CONTROLLER MAIN MACHINE PKD
K2	5		1	SUPPORT F BATTERY CONNECTOR
K2	6		2	SPACER D.6X12X8.5
	7	9100001141	1	HARNESS F ELECT. COMPONENTS BOX PKD
K1	8		2	PANEL INSULATING
	9	9100000884	1	CONNECTOR RED 120A 2 PCS SET
	10	9100001015	1	HARNESS BATTERY US PKD
K1	11		1	ISOLANT PANEL
	[K1]	9100001177	1	PANELS INSULATING KIT
	[K2]	9100001179	1	LEVER EMERGENCY KIT

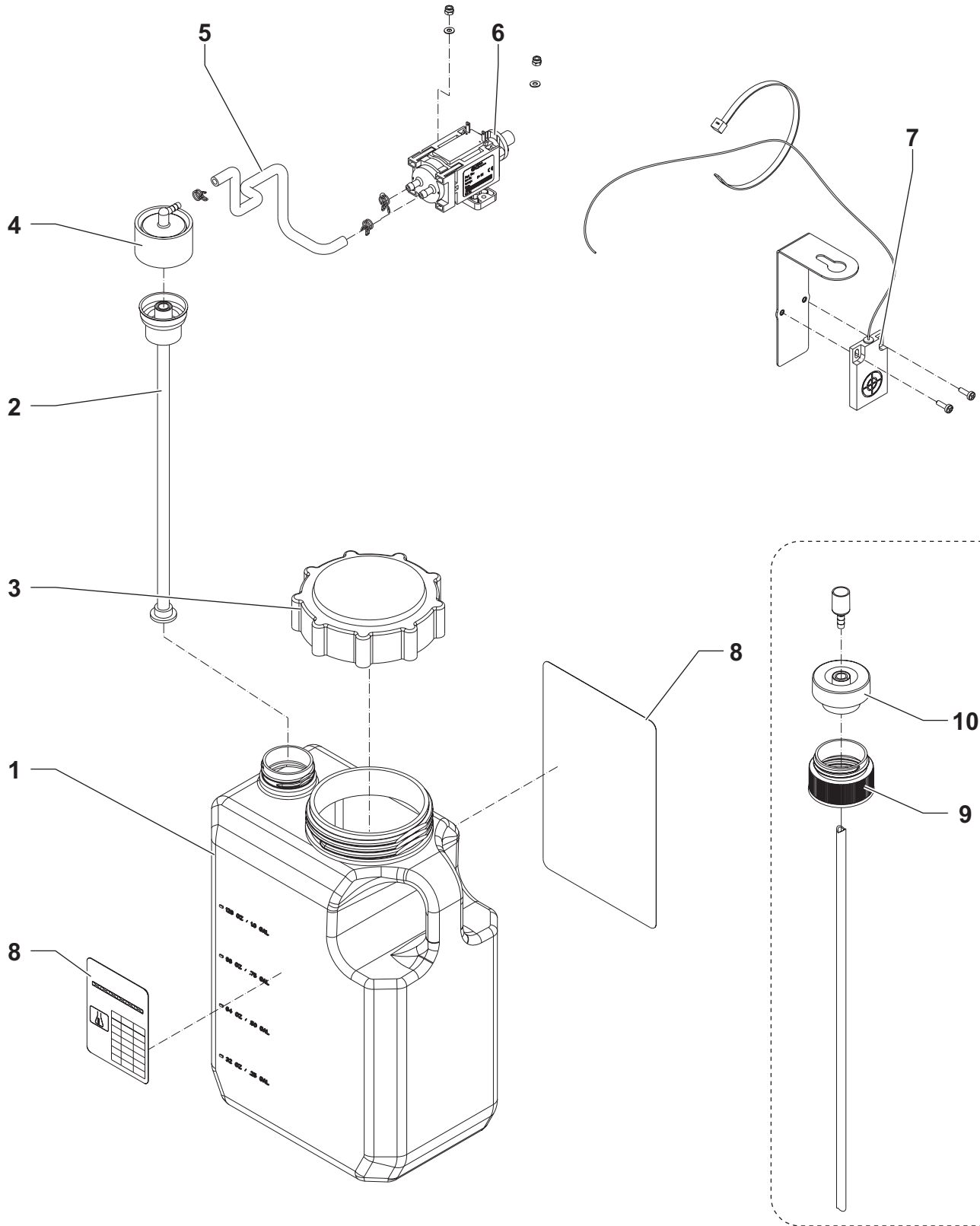
BATTERY CHARGER



BATTERY CHARGER

KIT	ITEM	REF. NO.	QTY	DESCRIPTION
K1	1	910000890	1	CABLE EXTENSION US PLUG L.2000MM PKD
K1	2	910001145	1	CHARGER BATT. O/B 24V 13A 100-230V PKD

ECOFLEX SYSTEM

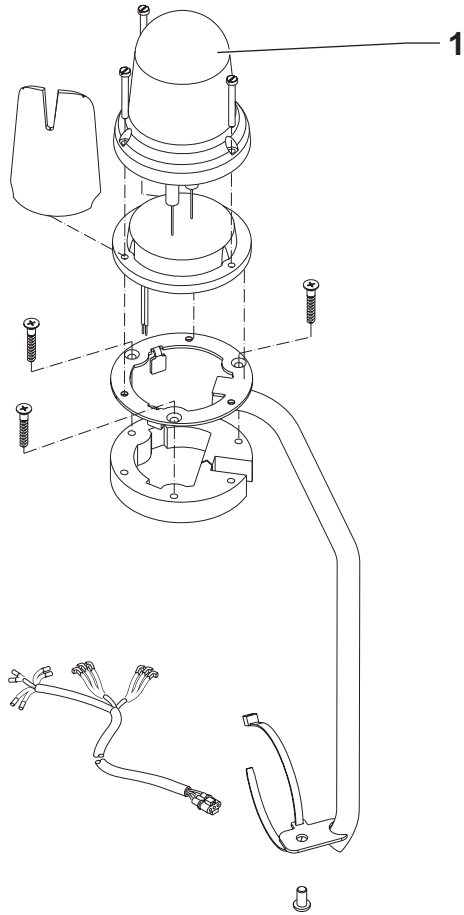


ECOFLEX SYSTEM

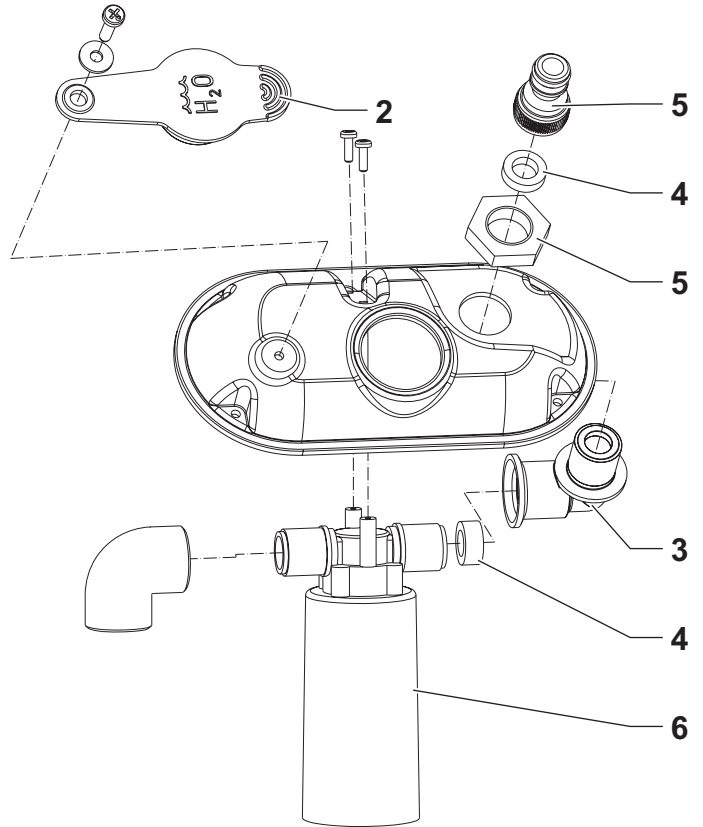
KIT	ITEM	REF. NO.	QTY	DESCRIPTION
	1	9100001081	1	CHEMICAL TANK PKD
	2	56104189	1	INSERT-DRY BRAKE
	3	56315517	1	CAP
	4	56315523	1	CAP DRY BREAK 1/8 BARB
	5	9100000891	1	HOSE SILICONE D.4X7 L.300MM PKD
	6	9100000892	1	PUMP CHEMICAL MIX PKD
	7	9100001149	1	SENSOR WATER LEVEL PKD
	8	9100001194	1	DECALS ADVANCE SC2000 ECOFLEX KIT
K1	9	9097023000	1	ADAPTER CHEMICAL TANK
K1	10	9097022000	1	SENSOR CHEMICAL MIX LEVEL
	[K1]*	9098025000	1	ADAPTER CHEMICAL KIT

ACCESSORIES

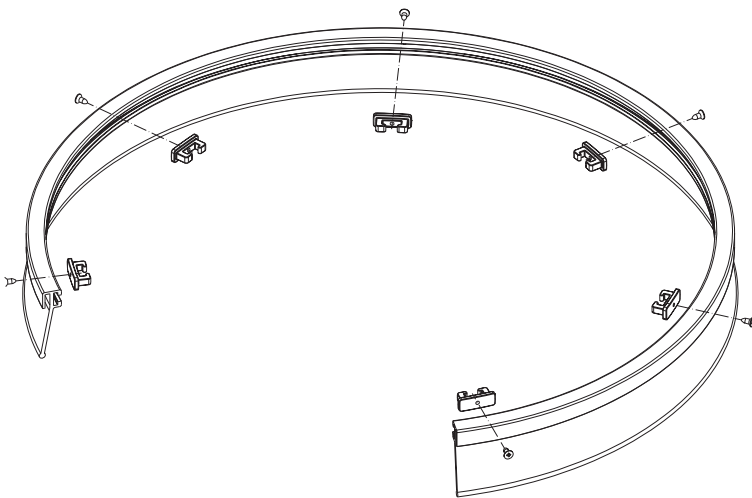
K1



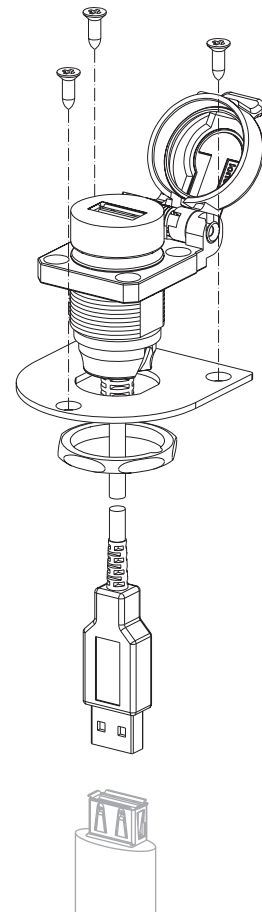
K2



K3



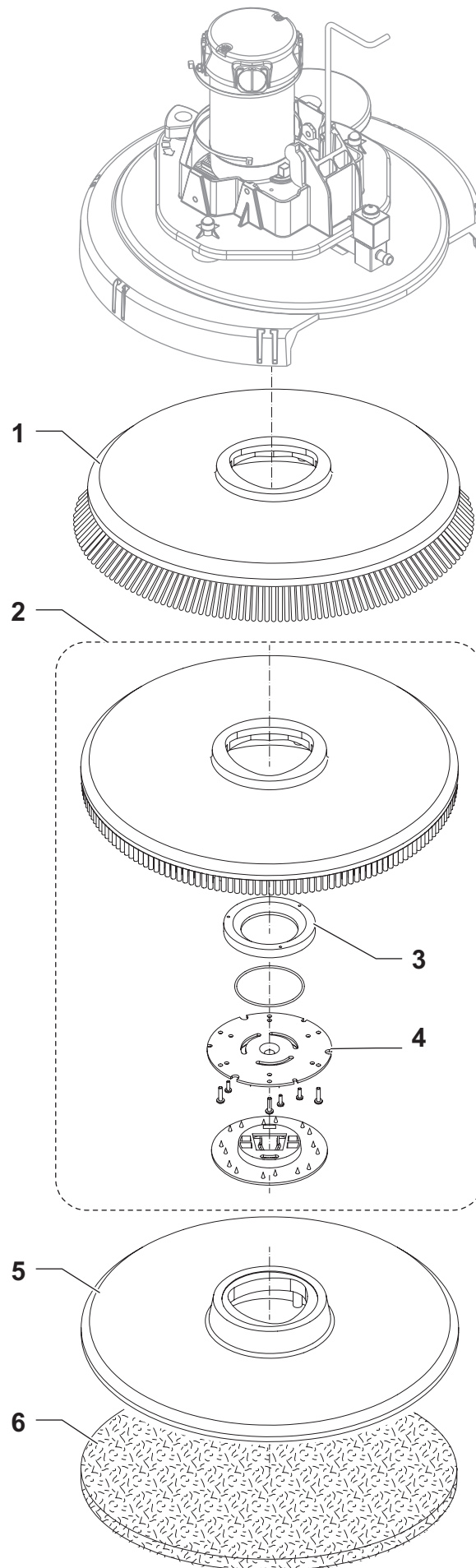
K4



ACCESSORIES

KIT	ITEM	REF. NO.	QTY	DESCRIPTION
	1	33023155	1	BEACON FLASHING PKD
K1*	910000663	1	1	BEACON FLASHING KIT
		910000982	1	INSTRUCTIONS INSTALL. KIT 910000663
	2	910000808	1	RUBBER SOLUTION CAP PKD
	3	910000894	1	ELBOW CURVED M/F PKD
	4	910000622	2	GASKET RUBBER D.11.5x19x5 BLACK PKD
	5	9099675000	1	FITTING QUICK KIT
	6	910000897	1	VALVE WATER STOP PKD
K2*	910000707	1	1	AUTOMATIC WATER FILLING KIT
		910000984	1	INSTRUCTIONS INSTALL. KIT 910000707
K3*	9099826000	1	1	SPLASH GUARD 510MM 20 KIT
K4*	910000784	1	1	USB PORT KIT
		910000983	1	INSTRUCTIONS INSTALL. KIT 910000784

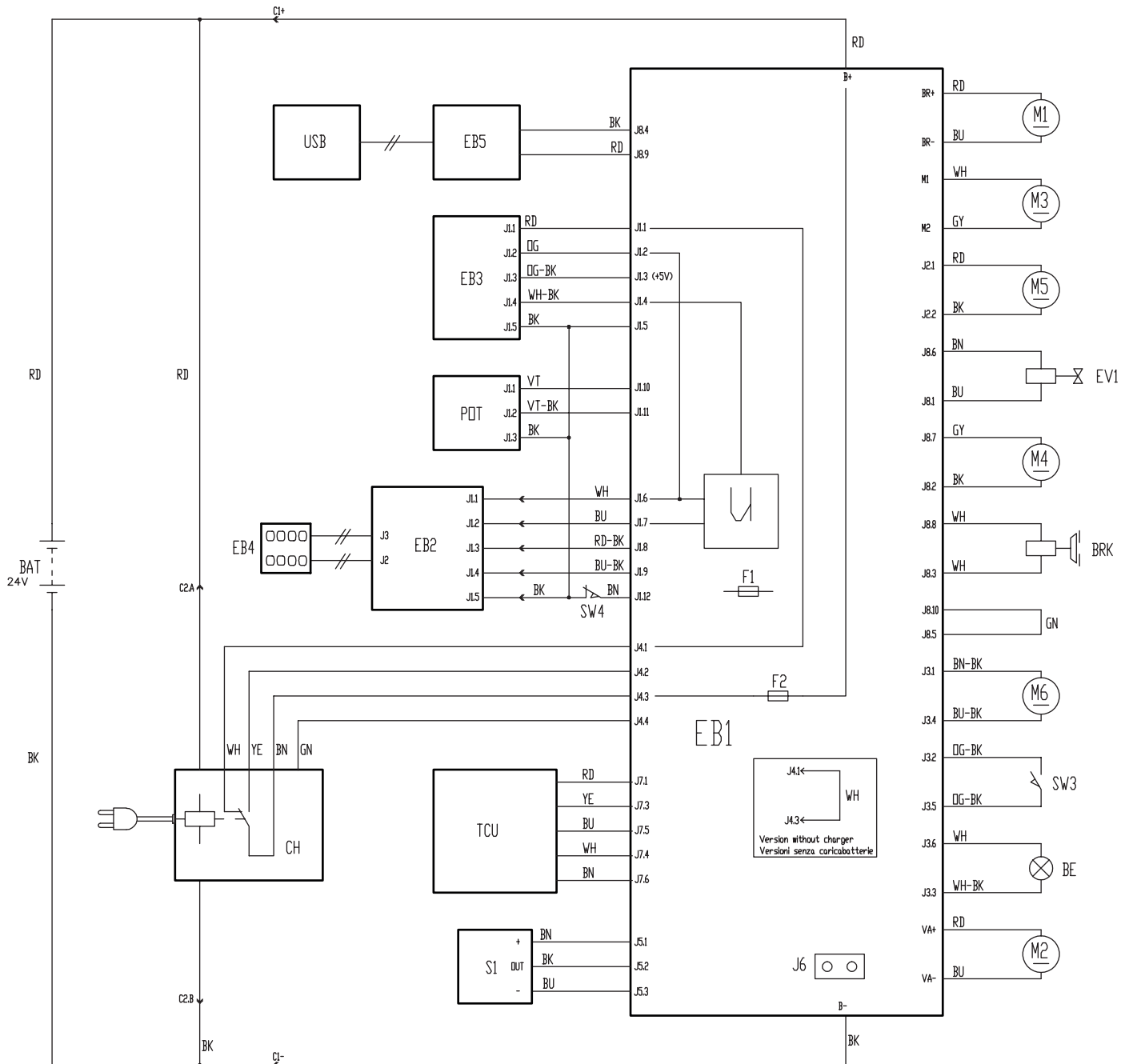
ACCESSORIES



ACCESSORIES

KIT	ITEM	REF. NO.	QTY	DESCRIPTION
	1*	L08837025	1	BRUSH DISC 530MM 21 PROLENE
	1*	L08837026	1	BRUSH DISC 530MM 21 PROLITE
	1*	L08837027	1	BRUSH DISC 530MM 21 UNION MIX
	1*	L08837028	1	BRUSH DISC 530MM 21 MIDLITE GRIT 180
	1*	L08837029	1	BRUSH DISC 530MM 21 MID GRIT 240
	1*	L08837065	1	BRUSH DISC 530MM 21 MAGNA GRIT 46
	1*	L08837066	1	BRUSH DISC 530MM 21 DYNA GRIT 80
	1*	L08837067	1	BRUSH DISC 530MM 21 AGLITE GRIT 500
	2*	L08837018	1	PAD HOLDER 530MM
	3	L08603966	1	RING NYLON
	4	56505195	1	PAD RETAINER
	5*	9099671000	1	PAD HOLDER FLAT 20 508MM
	6*	10001955	1	PAD 20 508MM ECO BLACK 5PCS
	6*	10001956	1	PAD 20 508MM ECO BLUE 5PCS
	6*	10001957	1	PAD 20 508MM ECO BROWN 5PCS
	6*	10001958	1	PAD 20 508MM ECO GREEN 5PCS
	6*	10001959	1	PAD 20 508MM ECO RED 5PCS
	6*	10001960	1	PAD 20 508MM ECO WHITE 5PCS
	6*	10002348	1	PAD 20 508MM ECO BRILLIANCE RED 2PCS
	6*	10002349	1	PAD 20 508MM ECO BRILLIANCE BLUE 2PCS
	6*	10002350	1	PAD 20 508MM ECO BRILL. YELLOW 2PCS
	6*	10002351	1	PAD 20 508MM ECO BRILLIANCE GREEN 2PCS

WIRING DIAGRAM



WIRING DIAGRAM

KEY	REF. NO.	DESCRIPTION
BAT	-	24 V BATTERIES
BE	9100000663	BEACON FLASHING KIT
BRK	9100001199	ELECTROMAGNETIC BRAKE PKD
C1	-	BATTERY CONNECTOR
C2	-	CHARGER BATT. CONNECTOR
CH	9100001145	CHARGER BATT. O/B 24V 13A 100-230V PKD
EB1	9100001122	CONTROLLER MAIN MACHINE PKD
EB2	9100001104	CARD ELECTRONIC DISPLAY PKD
EB3	9100001105	CARD ELECTRONIC KEY PKD
EB4	9100001123	DASHBOARD CONTROL PANEL PKD
EB5	-	5V POWER UNIT (OPTIONAL)
EV1	9100000870	SOLENOID VALVE 24V PKD
F1	9100000877	FUSE MIDIFUSE 100A PKD
F2	9100000878	FUSE BLADE 3A PKD
M1	9100000874	REDUCTION GEARMOTOR 450W 24V PKD
M2	9100001144	MOTOR VACUUM 24V 310W PKD
M3	9100001200	MOTOR ELECTRIC 400W 24V PKD
M4	9100000892	PUMP CHEMICAL MIX PKD
M5	9100001131	ACTUATOR 24V DC STROKE 98MM 16MM/S PKD
M6	9100001133	ACTUATOR 24V DC STROKE 77.5MM 16MM/S PKD
POT	9100001140	THROTTLE ELECTRONIC PKD
S1	9100001149	SENSOR WATER LEVEL PKD
SW3	9100001130	CUSHION SEAT W. MICROSWITCH PKD
SW4	9100001183	MICROSWITCH KIT
TCU	-	TRACKCLEAN™ (OPTIONAL)
USB	9100000784	USB PORT KIT

KEY	COLOUR	COLORE	KEY	COLOUR	COLORE
BK	BLACK	NERO	PK	PINK	ROSA
BU	LIGHT BLUE	AZZURRO	RD	RED	ROSSO
BN	BROWN	MARRONE	VT	VIOLET	VIOLA
GN	GREEN	VERDE	WH	WHITE	BIANCO
GY	GREY	GRIGIO	YE	YELLOW	GIALLO
OG	ORANGE	ARANCIONE			

RECOMMENDED PARTS

REF. NO.	QTY	DESCRIPTION
NORMAL WEAR		
9100001153	1	GASKET RUBBER L.1200MM PKD
9100000810	1	BLADE SQUEEGEE 740MM 29 GUM KIT
9100000490	1	BLADE SQUEEGEE 730MM 29 PU KIT
9100000060	1	BLADE SQUEEGEE 730MM 29 RED GUM KIT
L08837025	1	BRUSH DISC 530MM 21 PROLENE
ORDINARY MAINTENANCE		
9100000803	1	VALVE ELBOW PKD
9100000574	1	FITTING STRAIGHT G1/2 D.20 KIT
1465355000	1	CAP SOLUTION TANK KIT
9100001192	1	FILTER SOLUTION TANK PKD
9100001128	1	HOSE FRESH WATER LEVEL PKD
9100001139	2	GASKET RUBBER D.21X33X2.5 BLACK PKD
9100000817	1	BALL FLOATING PKD
9097587000	1	CAGE FLOAT
9100000928	1	GASKET FLOAT SUPPORT PKD
9100001106	1	HOSE SUCTION BLACK PKD
9100001113	1	HOSE DRAIN BLACK PKD
9100001144	1	MOTOR VACUUM 24V 310W PKD
9100000843	1	OPERATOR KEY
9100000848	1	SUPERUSER KEY
1464432000	1	CARBON BRUSHES KIT 4 PCS
9100001098	1	WHEEL D.200X76 GREY-BLACK PKD
9100000860	1	FILTER WATER PKD
9100000861	1	NET WATER FILTER REINFORCED PKD
9100000862	1	KNOB LOBES M8 FEMALE PKD
9100000791	2	KNOB M8X30 THD STUD SS PKD
9100000559	3	WHEEL D.51 GREY PKD
9100000864	1	STRAP ELASTIC F REAR SQUEEGEE BLADE PKD
9100000865	1	STRAP FRONT SQUEEGEE BLADE PKD
9100000867	1	GUIDE WHEEL 2 PCS SET
9100000748	1	HARDWARE SQUEEGEE KIT
9100000870	1	SOLENOID VALVE 24V PKD
9100000871	1	HUB BRUSH PKD
9098376000	1	CARBON BRUSHES KIT 4 PCS
L08812204	1	ROLLER BUMPER D.160 BLACK
9100000891	1	HOSE SILICONE D.4X7 L.300MM PKD
9100000892	1	PUMP CHEMICAL MIX PKD
EXTRA ORDINARY MAINTENANCE		
9100001130	1	CUSHION SEAT W. MICROSWITCH PKD
9100001091	1	TRAY DEBRIS PKD
9100001092	1	COVER TRAY DEBRIS PKD
9100001105	1	CARD ELECTRONIC KEY PKD
9100001180	1	THROTTLE KIT
9100001168	1	SPRING ZERO SETTING SQUEEGEE KIT
9100001162	1	WHEEL D.254X80 GREY-BLACK 2 PCS SET
9100001200	1	MOTOR ELECTRIC DRIVE PKD
909 5941 000	1	SUPPORT BALL BEARING
909 5942 000	1	BEARING TAPER ROLLER 32004X
9100001160	1	SCREW 10X16 M8 ISO7379 12.9 10 PCS SET
9100001101	1	PIN WHEEL PKD
9100001189	1	SCREW GRUB M5X10 UNI5929 10 PCS SET
9100001093	1	BEARING NEEDLE ROLLER NK 17/20 PKD
9100001104	1	CARD ELECTRONIC DISPLAY PKD
9100001123	1	DASHBOARD CONTROL PANEL PKD
9100001174	1	HOSES SOLUTION KIT
9100001131	1	ACTUATOR 24V DC STROKE 98MM 16MM/S PKD
9100001133	1	ACTUATOR 24V DC STROKE 77.5MM 16MM/S PKD
9100001173	1	HARDWARE ACTUATOR KIT
9100000797	1	HOSES BRUSH DECK KIT
9100000868	1	VIBRATION DAMPING M8 60SH 2 PCS SET

RECOMMENDED PARTS - ACCESSORIES/ OPTIONAL

REF. NO.	QTY	DESCRIPTION
9100000874	1	REDUCTION GEARMOTOR 450W 24V PKD
909 6887 000	1	ROLLER BUMPER KIT
9100001122	1	CONTROLLER MAIN MACHINE PKD
9100000884	1	CONNECTOR RED 120A 2 PCS SET
9100001179	1	LEVER EMERGENCY KIT
9100001145	1	CHARGER BATT. O/B 24V 13A 100-230V PKD
9100001081	1	CHEMICAL TANK PKD
56104189	1	INSERT-DRY BRAKE
56315517	1	CAP
56315523	1	CAP DRY BREAK 1/8 BARB
9100001149	1	SENSOR WATER LEVEL PKD
56315523	1	CAP DRY BREAK 1/8 BARB
9100000891	1	HOSE SILICONE D.4X7 L.300MM PKD
9098025000	1	ADAPTER CHEMICAL KIT
ACCESSORIES/OPTIONAL		
9100001192	1	FILTER SOLUTION TANK PKD
909 5065 000	1	FILTER ANTIFOAMING
9100000843	1	OPERATOR KEY
9100000848	1	SUPERUSER KEY
9100000810	1	BLADE SQUEEGEE 740MM 29 GUM KIT
9100000490	1	BLADE SQUEEGEE 730MM 29 PU KIT
9100000060	1	BLADE SQUEEGEE 730MM 29 RED GUM KIT
9098025000	1	ADAPTER CHEMICAL KIT
9100000663	1	BEACON FLASHING KIT
9100000707	1	AUTOMATIC WATER FILLING KIT
9099826000	1	SPLASH GUARD 510MM 20 KIT
9100000784	1	USB PORT KIT
L08837025	1	BRUSH DISC 530MM 21 PROLENE
L08837026	1	BRUSH DISC 530MM 21 PROLITE
L08837027	1	BRUSH DISC 530MM 21 UNION MIX
L08837028	1	BRUSH DISC 530MM 21 MIDLITE GRIT 180
L08837029	1	BRUSH DISC 530MM 21 MID GRIT 240
L08837065	1	BRUSH DISC 530MM 21 MAGNA GRIT 46
L08837066	1	BRUSH DISC 530MM 21 DYNA GRIT 80
L08837067	1	BRUSH DISC 530MM 21 AGLITE GRIT 500
L08837018	1	PAD HOLDER 530MM
9099671000	1	PAD HOLDER FLAT 20 508MM
10001955	1	PAD 20 508MM ECO BLACK 5PCS
10001956	1	PAD 20 508MM ECO BLUE 5PCS
10001957	1	PAD 20 508MM ECO BROWN 5PCS
10001958	1	PAD 20 508MM ECO GREEN 5PCS
10001959	1	PAD 20 508MM ECO RED 5PCS
10001960	1	PAD 20 508MM ECO WHITE 5PCS
10002348	1	PAD 20 508MM ECO BRILLIANCE RED 2PCS
10002349	1	PAD 20 508MM ECO BRILLIANCE BLUE 2PCS
10002350	1	PAD 20 508MM ECO BRILL. YELLOW 2PCS
10002351	1	PAD 20 508MM ECO BRILLIANCE GREEN 2PCS



Advance

14600 21st Avenue North
Plymouth, MN 55447-3408

www.advance-us.com

Phone: 800-989-2235

Fax: 800-989-6566

©2015 Nilfisk-Advance, Inc.

A Nilfisk-Advance Brand