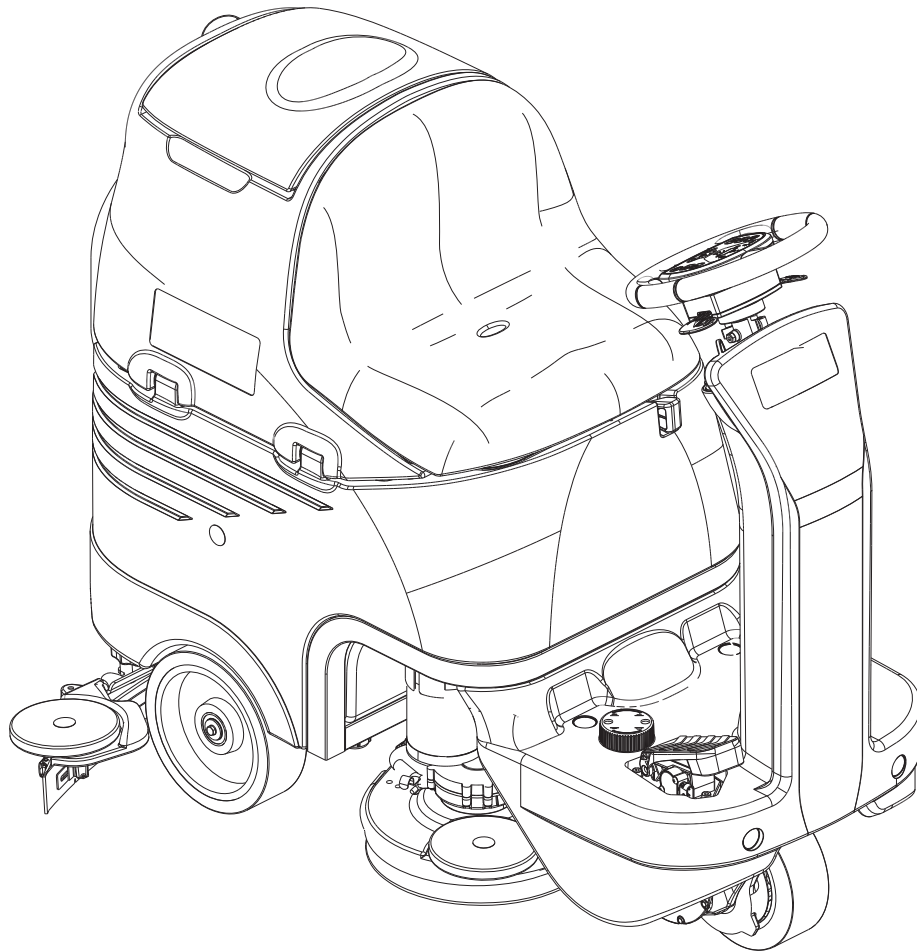


# SC3000 26" Disc SC3000 28" Cyl.

ecoflex™



**INSTRUCTION FOR USE**  
**INSTRUCTIONS D'UTILISATION**  
**INSTRUCCIONES DE USO**  
**INSTRUÇÕES DE USO**

**Advance models: 9087266020 - 26" Disc - Charger**  
**9087267020 - 26" Disc - EcoFlex™ + Charger**  
**9087268020 - 28" Cyl. - Charger**  
**9087269020 - 28" Cyl. - EcoFlex™ + Charger**

**ENGLISH**

**FRANÇAIS**

**ESPAÑOL**

**PORTUGUÊS**



9098827000(2)2010-12



## TABLE OF CONTENTS

<b>INTRODUCTION</b> .....	<b>2</b>
MANUAL PURPOSE AND CONTENTS .....	2
TARGET.....	2
HOW TO KEEP THIS MANUAL.....	2
IDENTIFICATION DATA.....	2
OTHER REFERENCE MANUALS.....	2
SPARE PARTS AND MAINTENANCE.....	2
CHANGES AND IMPROVEMENTS .....	2
OPERATION CAPABILITIES .....	2
CONVENTIONS .....	2
<b>UNPACKING/DELIVERY</b> .....	<b>3</b>
<b>SAFETY</b> .....	<b>3</b>
SYMBOLS .....	3
GENERAL INSTRUCTIONS.....	4
<b>MACHINE DESCRIPTION</b> .....	<b>6</b>
MACHINE STRUCTURE .....	6
STEERING WHEEL WITH CONTROL PANEL.....	8
ACCESSORIES/OPTIONS.....	9
TECHNICAL DATA.....	9
WIRING DIAGRAM.....	10
<b>USE</b> .....	<b>12</b>
BATTERY CHECK/SETTING ON A NEW MACHINE .....	12
BATTERY INSTALLATION AND BATTERY TYPE SETTING (WET OR GEL/AGM) .....	13
BEFORE START-UP.....	14
MACHINE START AND STOP.....	17
MACHINE OPERATION (SCRUBBING/DRYING).....	18
TANK EMPTYING.....	20
AFTER USING THE MACHINE .....	21
PUSHING/TOWING THE MACHINE .....	21
FIRST PERIOD OF USE .....	22
<b>MAINTENANCE</b> .....	<b>22</b>
SCHEDULED MAINTENANCE TABLE .....	22
MACHINE WORKING HOUR CHECK .....	22
SQUEEGEE CLEANING .....	23
SQUEEGEE BLADE CHECK AND REPLACEMENT .....	23
BRUSH/CYLINDRICAL BRUSH CLEANING.....	24
RECOVERY TANK CLEANING .....	24
SIDE SKIRT CHECK AND REPLACEMENT (only for 28" Cyl.) .....	25
VACUUM SYSTEM MOTOR FILTER CLEANING.....	26
SOLUTION FILTER CLEANING .....	26
BATTERY CHARGING .....	27
DETERGENT TANK CLEANING .....	28
ECOFLEX™ SYSTEM DRAINING .....	28
FUZE CHECK/REPLACEMENT.....	28
<b>SAFETY FUNCTIONS</b> .....	<b>29</b>
EMERGENCY PUSH-BUTTON.....	29
ANTI-SKID SAFETY SYSTEM .....	29
DRIVER'S SEAT MICROSWITCH.....	29
ELECTROMAGNETIC BRAKE.....	29
<b>TROUBLESHOOTING</b> .....	<b>30</b>
<b>SCRAPPING</b> .....	<b>30</b>

## INTRODUCTION



### NOTE

The numbers in brackets refer to the components shown in Machine Description chapter.

## MANUAL PURPOSE AND CONTENTS

The purpose of this Manual is to provide the operator with all necessary information to use the machine properly, in a safe and autonomous way. It contains information about technical data, safety, operation, storage, maintenance, spare parts and disposal. Before performing any procedure on the machine, the operators and qualified technicians must read this Manual carefully. Contact Advance in case of doubts concerning the interpretation of the instructions and for any further information.

## TARGET

This Manual is intended for operators and technicians qualified to perform the machine maintenance. The operators must not perform procedures reserved for qualified technicians. Advance will not be answerable for damages coming from the non-observance of this prohibition.

## HOW TO KEEP THIS MANUAL

The Instructions for Use Manual must be kept near the machine, inside an adequate case, away from liquids and other substances that can cause damage to it.

## IDENTIFICATION DATA

The machine serial number and model are shown on the plate (21) on the steering column.

The machine production year is written in the declaration of conformity and it is also indicated by the first two figures of the machine serial number.

This information is useful when requiring machine spare parts. Use the following table to write down the machine identification data.

MACHINE model .....
MACHINE serial number .....

## OTHER REFERENCE MANUALS

- Electronic battery charger Manual (to be considered as integral part of this Manual)
- Moreover, the following Manuals are available:
- Service Manual (that can be consulted at Advance Service Centers)
  - Spare Parts List (supplied with the machine)

## SPARE PARTS AND MAINTENANCE

All necessary operating, maintenance and repair procedures must be performed by qualified personnel or by Advance Service Centers. Only original spare parts and accessories must be used.

Contact Advance for service or to order spare parts and accessories, specifying the machine model and serial number.

## CHANGES AND IMPROVEMENTS

Advance constantly improves its products and reserves the right to make changes and improvements at its discretion without being obliged to apply such benefits to the machines that were previously sold.

Any change and/or addition of accessory must be approved and performed by Advance.

## OPERATION CAPABILITIES

This scrubber-dryer is used to clean (scrubbing and drying) smooth and solid floors, in civil or industrial environment, under safe operation conditions by a qualified operator.

The scrubber-dryer cannot be used for moquette and carpet cleaning.

## CONVENTIONS

Forward, backward, front, rear, left or right are intended with reference to the operator's position, that is to say on the driver's seat (17).



## UNPACKING/DELIVERY

To unpack the machine, carefully follow the instructions on the packing.

To move the machine manually, see the Pushing/Towing The Machine paragraph.

Upon delivery carefully check that the machine and its packing have not been damaged during transportation. In case of visible damages, keep the packing and have it checked by the carrier that delivered it. Call the carrier immediately to fill in a damage claim.

Check that the machine is equipped with the following features:

- Technical documents:
  - Scrubber-dryer Instructions for use Manual
  - Electronic battery charger Manual
  - Scrubber-dryer Spare Parts List
- No. 2 lamellar fuses
- No. 2 shims for 6 V battery housing

## SAFETY

The following symbols indicate potentially dangerous situations. Always read this information carefully and take all necessary precautions to safeguard people and property.

The operator's cooperation is essential in order to prevent injury. No accident prevention program is effective without the total cooperation of the person responsible for the machine operation. Most of the accidents that may occur in a factory, while working or moving around, are caused by failure to comply with the simplest rules for exercising prudence. A careful and prudent operator is the best guarantee against accidents and is essential for successful completion of any prevention program.

## SYMBOLS



### DANGER!

*It indicates a dangerous situation with risk of death for the operator.*



### WARNING!

*It indicates a potential risk of injury for people or damage to objects.*



### CAUTION!

*It indicates a caution or a remark related to important or useful functions. Pay careful attention to the paragraphs marked by this symbol.*



### NOTE

*It indicates a remark related to important or useful functions.*



### CONSULTATION

*It indicates the necessity to refer to the Instructions for Use before performing any procedure.*

## GENERAL INSTRUCTIONS

Specific warnings and cautions to inform about potential damages to people and machine are shown below.



### **DANGER!**

- *Before performing any maintenance, repair, cleaning or replacement procedure disconnect the battery connector and remove the ignition key.*
- *This machine must be used by properly trained operators only.*
- *Keep the battery away from sparks, flames and incandescent material. During the normal operation explosive gases are released.*
- *Do not wear jewelry when working near electrical components.*
- *Do not work under the lifted machine without supporting it with safety stands.*
- *Do not operate the machine near toxic, dangerous, flammable and/or explosive powders, liquids or vapors: This machine is not suitable for collecting dangerous powders.*
- *Battery charging produces highly explosive hydrogen gas. Keep the tanks open during battery charging and perform this procedure in well-ventilated areas and away from bare flames.*



### **WARNING!**

- *Carefully read all the instructions before performing any maintenance/repair procedure.*
- *Before using the battery charger, ensure that frequency and voltage values, indicated on the machine serial number plate, match the electrical mains voltage.*
- *Do not pull or carry the machine by the battery charger cable and never use the battery charger cable as a handle. Do not close a door on the battery charger cable, or pull the battery charger cable around sharp edges or corners. Do not run the machine on the battery charger cable.*
- *Keep the battery charger cable away from heated surfaces.*
- *Do not use the machine if the battery charger cable or plug is damaged. If the machine is not working as it should, has been damaged, left outdoors or dropped into water, return it to the Service Center.*
- *To reduce the risk of fire, electric shock, or injury, do not leave the machine unattended when it is plugged in. Before performing any maintenance procedure, disconnect the battery charger cable from the electrical mains.*
- *Do not smoke while charging the batteries.*
- *To avoid any unauthorized use of the machine, remove the ignition key.*
- *Do not leave the machine unattended without being sure that it cannot move independently.*
- *Always protect the machine against the sun, rain and bad weather, both under operation and inactivity condition. Store the machine indoors, in a dry place: This machine must be used in dry conditions, it must not be used or kept outdoors in wet conditions.*
- *Before using the machine, close all doors and/or covers.*
- *Do not allow to be used as a toy. Close attention is necessary when used near children.*
- *Use only as shown in this Manual. Use only Advance recommended accessories.*
- *Take all necessary precautions to prevent hair, jewelry and loose clothes from being caught by the machine moving parts.*
- *Do not use the machine on incline.*
- *Do not tilt the machine more than the angle indicated on the machine itself, in order to prevent instability.*

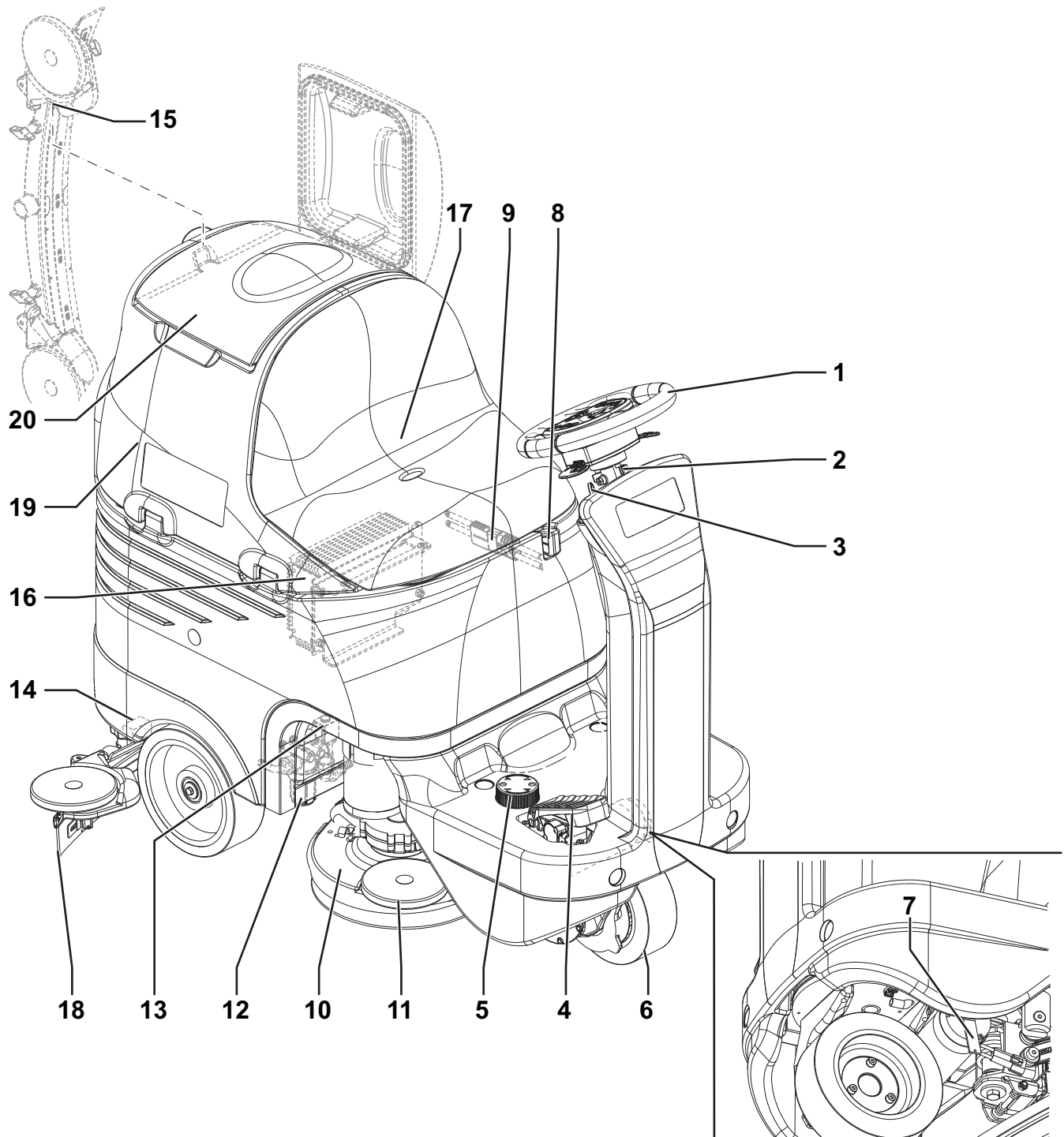
**WARNING!**

- *Do not use the machine in particularly dusty areas.*
- *Use the machine only where a proper lighting is provided.*
- *If the machine is to be used where there are other people besides the operator, it is necessary to install the pivoting light and the reverse gear buzzer (optional).*
- *While using this machine, take care not to cause damage to people or objects.*
- *Do not bump into shelves or scaffoldings, especially where there is a risk of falling objects.*
- *Do not put any can containing fluids on the machine.*
- *The machine operating temperature must be between +32 °F and 104 °F (0 °C and +40 °C).*
- *The machine storage temperature must be between +32 °F and 104 °F (0 °C and +40 °C).*
- *The humidity must be between 30% and 95%.*
- *When using floor cleaning detergents, follow the instructions on the labels of the detergent bottles.*
- *To handle floor cleaning detergents, wear suitable gloves and protections.*
- *Do not use the machine as a means of transport.*
- *Do not allow the brushes to operate while the machine is stationary to avoid damaging the floor.*
- *In case of fire, use a powder fire extinguisher, not a water one.*
- *Do not tamper with the machine safety guards and follow the ordinary maintenance instructions scrupulously.*
- *Do not allow any object to enter into the openings. Do not use the machine if the openings are clogged. Always keep the openings free from dust, hairs and any other foreign material which could reduce the air flow.*
- *Do not remove or modify the plates affixed to the machine.*
- *To manually move the machine, the electromagnetic brake must be disengaged. After moving the machine manually, engage the electromagnetic brake again. Do not use the machine when the electromagnetic brake handwheel is screwed down.*
- *When the machine is to be pushed for service reasons (missing or discharged batteries, etc.), the speed must not exceed 2.5 mph (4 km/h).*
- *This machine cannot be used on roads or public streets.*
- *Pay attention during machine transportation when temperature is below freezing point. The water in the recovery tank or in the hoses could freeze and seriously damage the machine.*
- *Use the brushes and pads supplied with the machine or those specified in the Instructions for Use Manual. Using other brushes or pads could reduce safety.*
- *In case of machine malfunctions, ensure that these are not due to lack of maintenance. Otherwise, request assistance from the authorized personnel or from an authorized Service Center.*
- *If parts must be replaced, require ORIGINAL spare parts from an authorized Dealer or Retailer.*
- *To ensure machine proper and safe operation, the scheduled maintenance shown in the relevant chapter of this Manual, must be performed by the authorized personnel or by an authorized Service Center.*
- *Do not wash the machine with direct or pressurized water jets, or with corrosive substances.*
- *When WET batteries are installed on the machine, do not tilt the machine for more than 30° from the horizontal plane to prevent the highly corrosive acid from leaking out of the batteries. If the machine must be tilted to perform any maintenance procedure, remove the batteries.*
- *The machine must be disposed of properly, because of the presence of toxic-harmful materials (batteries, etc.), which are subject to standards that require disposal in special centers (see Scrapping chapter).*

# MACHINE DESCRIPTION

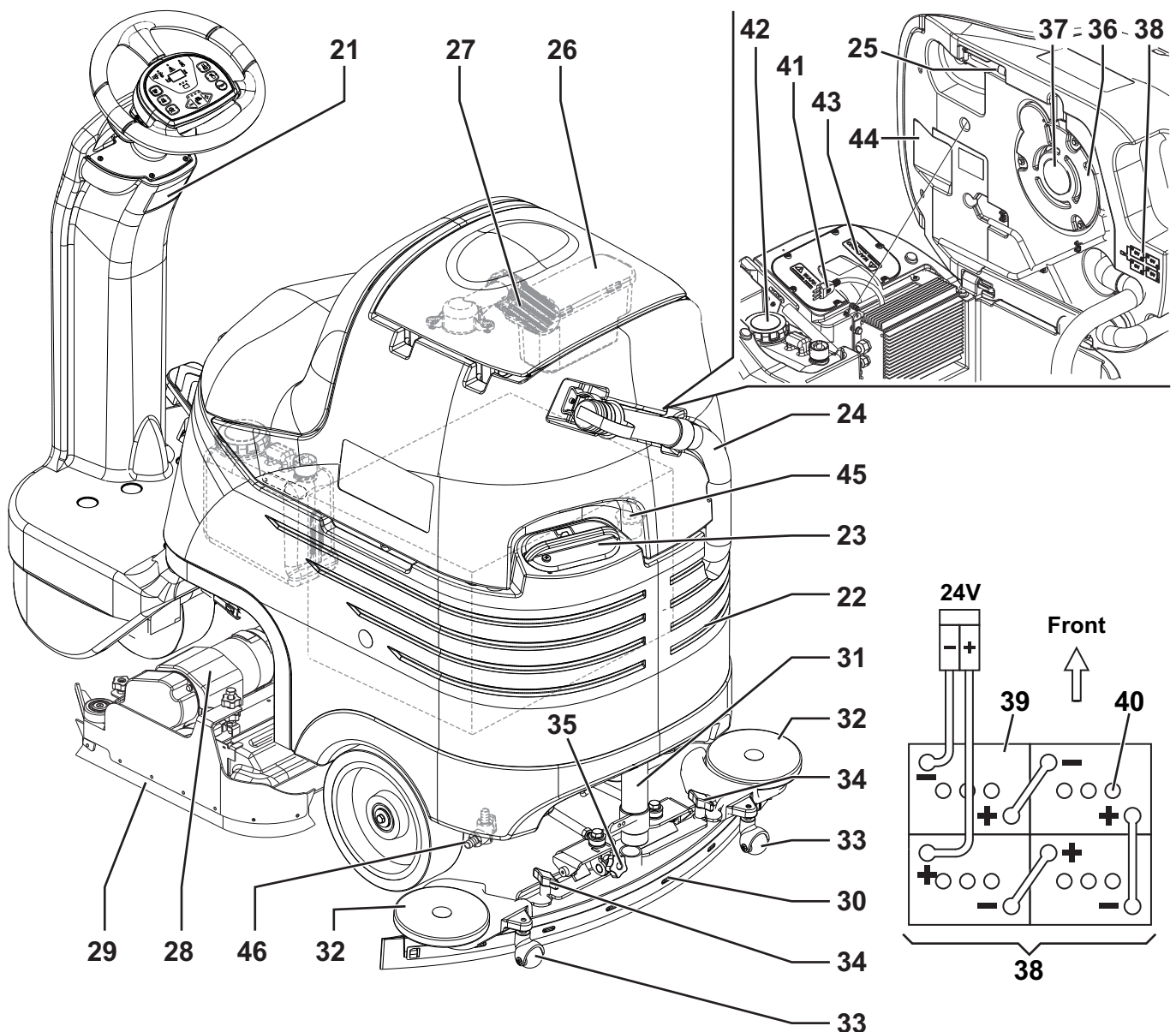
## MACHINE STRUCTURE

- |   |  |
|---|--|
| <ol style="list-style-type: none"> <li>1. Steering wheel with control panel (see the following paragraph)</li> <li>2. Steering wheel height control lever</li> <li>3. Ignition key</li> <li>4. Drive pedal</li> <li>5. Heel support height adjustment</li> <li>6. Front steering, driving and braking wheel</li> <li>7. Electromagnetic brake unlocking lever</li> <li>8. Emergency push-button</li> <li>9. Battery connector</li> <li>10. Brush/pad-holder deck</li> </ol> | <ol style="list-style-type: none"> <li>11. Bumper wheel</li> <li>12. Solution filter</li> <li>13. Solenoid valve</li> <li>14. Solution/clean water tank opening/closing valve</li> <li>15. Squeegee hook</li> <li>16. Battery charger</li> <li>17. Seat</li> <li>18. Squeegee blades assembly</li> <li>19. Dumping recovery tank</li> <li>20. Recovery tank cover</li> </ol> |
|---|--|



**MACHINE STRUCTURE (Continues)**

- 21. Serial number plate/technical data/conformity certification
  - 22. Solution/clean water tank
  - 23. Solution/clean water tank filler plug with removable filler hose
  - 24. Recovery water drain hose
  - 25. Tank assembly stand
  - 26. Container with debris collection grid
  - 27. Vacuum grid with automatic shut-off float
  - 28. Cylindrical brush deck
  - 29. Cylindrical brush deck side skirt
  - 30. Squeegee
  - 31. Squeegee vacuum hose
  - 32. Squeegee bumper wheels
  - 33. Squeegee support wheels
  - 34. Squeegee mounting handwheels
  - 35. Squeegee balance adjusting handwheel
  - 36. Vacuum system motor
  - 37. Vacuum system motor filter
  - 38. Battery connection diagram
  - 39. Batteries
  - 40. Battery caps
  - 41. Battery charger cable
  - 42. Detergent tank (\*)
  - 43. Electronic component compartment cover
  - 44. Lifted tank assembly and driver's seat
  - 45. Adapter for water removable filler hose and squeegee vacuum hose
  - 46. Solution/clean water tap
- (\*) Only for machine with EcoFlex™ system



**STEERING WHEEL WITH CONTROL PANEL**

- 51. Reverse gear activation/deactivation lever
- 52. Reverse gear LED indicator
- 53. Detergent flow control switch (\*)
- 54. Washing detergent flow control switch LED indicator (\*)
- 55. Mute function switch
- 56. Mute function switch LED
- 57. Horn switch
- 58. Ignition key
- 59. Solution flow increase switch
- 60. Solution flow decrease switch
- 61. Solution flow indicator
- 62. Battery warning lights
  - Green warning light - charged battery
  - Yellow warning light - semi-discharged battery
  - Red warning light - discharged battery
- 63. Vacuum system switch
- 64. Vacuum system LED indicator
- 65. Extra pressure switch (the switch is enabled on 28" Cyl. version only)
- 66. Extra pressure LED indicator
- 67. Brush/pad-holder deck and squeegee lifting/lowering switch
- 68. Brush/pad-holder deck and squeegee lifting/lowering LED indicator

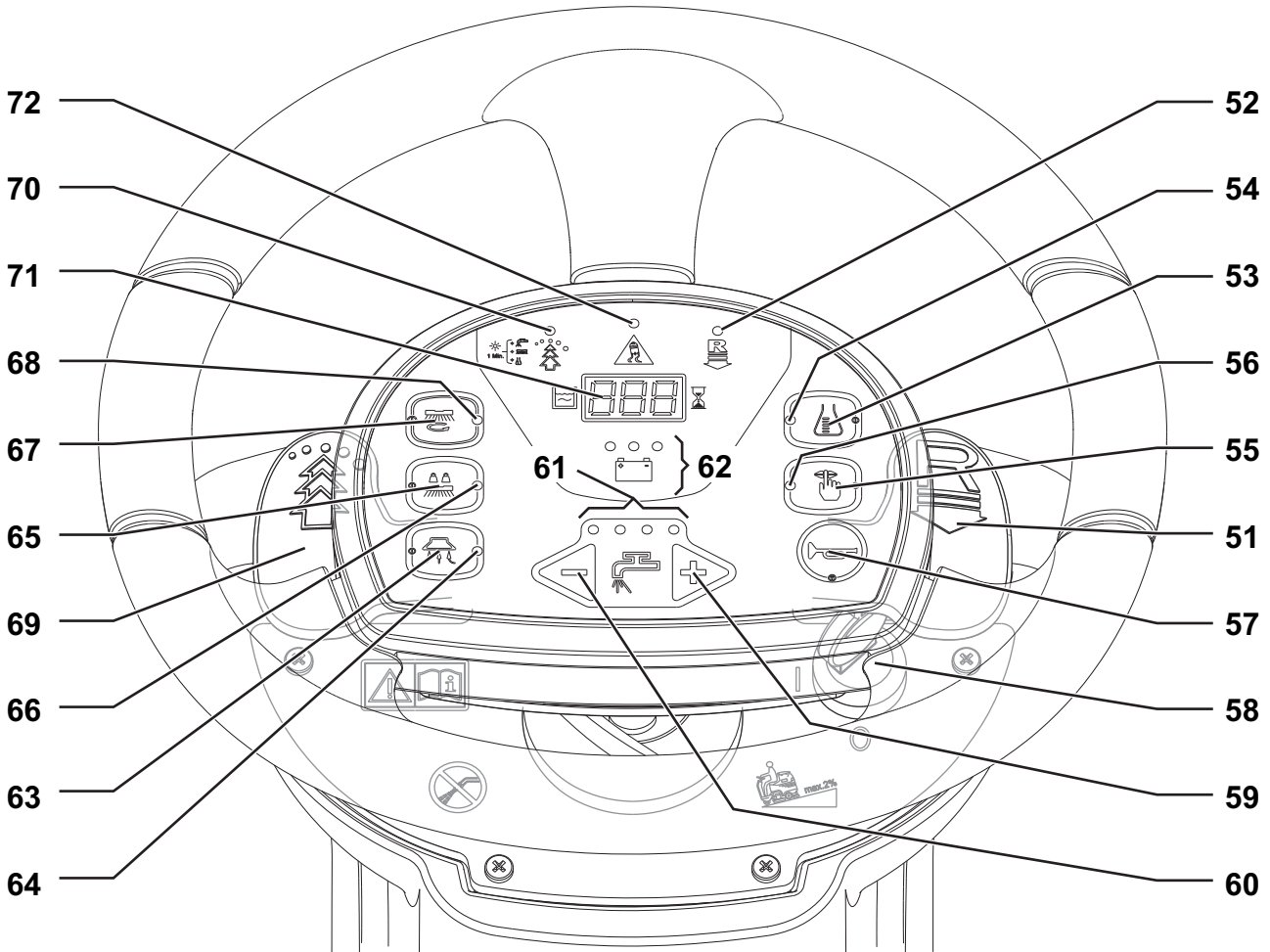
- 69. EcoFlex™ activation/deactivation lever (\*)
- 70. EcoFlex™ system LED indicator (\*):
  - LED on - EcoFlex™ system on
  - LED flashing - EcoFlex™ system override
  - LED off - EcoFlex™ system disabled
- 71. Hour counter and solution level display:
  - When the machine is started, it displays for a few seconds the number of working hours which have been performed.
  - While using the machine, it displays the solution/washing water level in the tank (in gallons).
  - When the level is above 18 USgal, the display indicates "FUL".
  - When the level is under 4 USgal, the display indicates "LO".
  - When the tank is almost empty, "LO" starts flashing.



**NOTE**

*The display could indicate "LO" even if the tank is not completely empty, thus allowing to complete the cleaning cycle; in any case, it is recommended to check the actual solution flow supplied to the brushes.*

- 72. Anti-skid control activation LED indicator
- (\*) Only for machines with EcoFlex™ system



## ACCESSORIES/OPTIONS

In addition to the standard components, the machine can be equipped with the following accessories/options, according to the machine specific use:

- GEL/AGM batteries
- Brushes and cylindrical brushes of different materials
- Pads of different materials
- Squeegee blades of different materials
- Flashing light
- Mop a trash kit
- 0.9 HP (670 W) vacuum system motor

For further information concerning the optional accessories, contact an authorized Retailer.

## TECHNICAL DATA

### General technical data

Description	26" Disc	28" Cyl.
Cleaning width	26 in (660 mm)	28 in (710 mm)
Squeegee width	35 in (890 mm)	
Solution/clean water tank capacity	21 USgal (80 liters)	
Solution flow	0.26 - 0.8 USgal/min (1 - 3 liters/min)	
Rear wheel diameter	9.8 in (250 mm)	
Front wheel specific pressure on the floor	72 psi (0.5 N/mm <sup>2</sup> )	
Rear wheel specific pressure on the floor	130 psi (0.9 N/mm <sup>2</sup> )	
Front steering, driving and braking wheel diameter	8.8 in (225 mm)	
Vacuum system motor power	0.56 HP (420 W)	
Drive system motor power	0.4 HP (300 W)	
Maximum speed	3.7 mph (6 km/h)	
Maximum gradient when working	2% (1,14°)	
Sound pressure level at workstation (ISO 11201, ISO 4871, EN 60335-2-72) (LpA)	65 dB(A) ± 3 dB(A)	
Machine sound pressure level (ISO 3744, ISO 4871, EN 60335-2-72) (LwA)	82 dB(A)	
Vibration level at the operator's arms (ISO 5349-1, EN 60335-2-72)	< 98,4 in/s <sup>2</sup> (< 2.5 m/s <sup>2</sup> )	
Vibration level at the operator's body (ISO 2631-1, EN 60335-2-72)	3.1 in/s <sup>2</sup> (0.8 m/s <sup>2</sup> )	
Battery compartment size (length x width x height)	14.9 x 21.2 x 11.8 in (380 x 540 x 300 mm)	
Battery type	4 6 V batteries, 180 Ah C5 (WET)	
	4 6 V batteries, 180 Ah C5 (GEL/AGM)	
Vacuum system capacity	0.0098 MPa (1,000 mmH <sub>2</sub> O)	
Machine height	46.8 in (1,190 mm)	
Machine maximum length	53.5 in (1,360 mm)	
Machine width without squeegee	26.4 in (670 mm)	31.9 in (810 mm)

### Technical data for machines with brush/pad-holder deck

Description	26" Disc
Brush/pad diameter	13 in (330 mm)
Weight without batteries and with empty tanks	385.8 lb (175 kg)
Maximum weight with batteries, full tanks and operator (75 kg) (GVW)	983.2 lb (446 kg)
Brush/pad motor power	2 x 0.53 HP (2 x 400 W)
Brush/pad-holder speed	230 rpm
Brush/pad-holder pressure with extra-pressure function turned off	66.1 lb (30 kg)
Brush/pad-holder pressure with extra-pressure function turned on	105.8 lb (48 kg)

## Technical data for machines with cylindrical brush deck

Description	28" Cyl.
Cylindrical brush size (diameter x length)	5.7 x 27.2 in (145 x 690 mm)
Weight without batteries and with empty tanks	396.8 lb (180 kg)
Maximum weight with batteries, full tanks and operator (75 kg) (GVW)	994.3 lb (451 kg)
Cylindrical brush motor power	2 x 0.8 HP (2 x 600 W)
Cylindrical brush speed	720 rpm
Cylindrical brush pressure	77.1 lb (35 kg)

## WIRING DIAGRAM

## Key

BAT	24 V battery box
BE	Flashing light (optional)
BRK	Electromagnetic brake
BZ1	Reverse gear warning buzzer/horn
C1	Battery connector
C2	Battery charger main connector
C3	Battery charger sub-connector
C4	Brush deck connector
CH	Battery charger (optional)
EB1	Function electronic board
EB2	Display electronic board
EB3	Dashboard instrument electronic board
ES1	Brush electromagnetic switch
EV1	Solenoid valve
F1	Brush deck fuse
F2	Main electronic board fuse
F3	Signal circuit fuse
F4	Actuator fuse
K1	Ignition switch
M1.1,2	Brush motor
M2	Vacuum system motor
M3	Drive system motor
M4	Detergent pump (optional)
M5	Brush deck actuator motor
M6	Squeegee actuator motor
m0	Squeegee actuator position 0 microswitch
m1	Squeegee actuator position 1 microswitch
m2	Squeegee actuator position 2 microswitch
PR1	Solution/clean water level pressure switch
RV1	Drive pedal potentiometer
SW1	Driver's seat microswitch

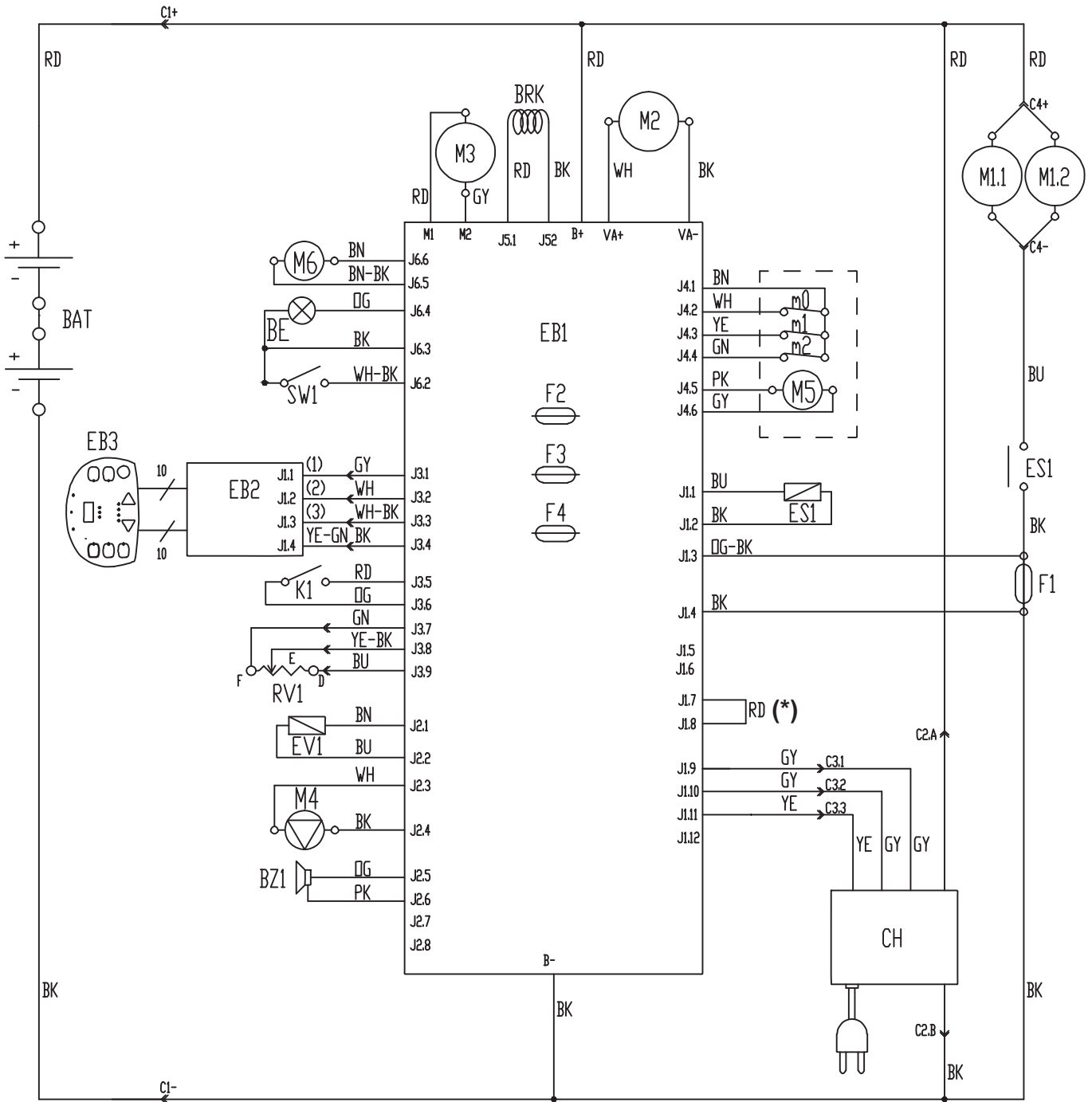
## Color codes

BK	Black
BU	Blue
BN	Brown
GN	Green
GY	Grey
OG	Orange
PK	Pink
RD	Red
VT	Violet
WH	White
YE	Yellow

(\*) For SC3000 26" Disc version only



WIRING DIAGRAM (Continues)



P100361A

## USE

**WARNING!**

*On some points of the machine there are some adhesive plates indicating:*

- **DANGER**
- **WARNING**
- **CAUTION**
- **CONSULTATION**

While reading this Manual, the operator must pay particular attention to the symbols shown on the plates. Do not cover these plates for any reason and immediately replace them if damaged.

### BATTERY CHECK/SETTING ON A NEW MACHINE

**WARNING!**

*The electric components of the machine can be seriously damaged if the batteries are either improperly installed or connected. The batteries must be installed by qualified personnel only. Set the function electronic board according to the type of batteries installed (WET or GEL/AGM).*

*Check the batteries for damage before installation.*

*Disconnect the battery connector and the battery charger plug.*

*Handle the batteries with great care.*

*Install the battery terminal protection caps supplied with the machine.*

The machine requires 4 6 V batteries, connected according to the diagram (38).

The machine can be supplied in one of the following modes:

#### **Batteries (WET or GEL/AGM) already installed and ready to be used**

1. Open the cover (20) and check that the recovery tank (19) is empty, otherwise empty it with the drain hose (24).
2. Close the cover (20).
3. Carefully lift the tank assembly (44).
4. Check that the batteries are connected to the machine with the connector (9).
5. Carefully lower the tank assembly (44).
6. Insert the ignition key (58) and turn it to "I". If the green warning light (62) turns on, the batteries are ready to be used. If the yellow or red warning light turns on, the batteries must be charged (see the procedure in Maintenance chapter).

#### **Without batteries**

1. Buy appropriate batteries (see the Technical Data paragraph).  
For battery choice and installation, apply to qualified battery Retailers.
2. Set the machine according to the type of batteries installed (WET or GEL/AGM) (see the following paragraph).
3. Install the batteries (see the following paragraph).
4. Charge the batteries.

## BATTERY INSTALLATION AND BATTERY TYPE SETTING (WET OR GEL/AGM)

### Battery installation

1. Open the cover (20) and check that the recovery tank (19) is empty, otherwise empty it with the drain hose (24).
2. Close the cover (20).
3. Carefully lift the tank assembly (44).
4. Install the batteries and connect them according to the diagram (38).

### Battery type setting

Set the machine electronic board and the battery charger according to the type of batteries installed (WET or GEL/AGM) as shown below:

5. Turn the ignition key (58) to "I" and, in the very first seconds of machine operation, detect the current setting by counting the number of flashes of the battery warning lights (62), as shown in the following table:

SETTING	DISPLAY (71)	BATTERY WARNING LIGHT INDICATION (62)	BATTERY TYPE	CHARGING CURRENT
1	WET 20A	4 flashes of the red warning light	WET	STANDARD
2	GEL 20A	4 flashes of the green warning light	GEL-AGM	
3	GEE 20A	4 flashes of the yellow warning light	GEL EXIDE® type	
4	WET 15A	2 flashes of the red warning light	WET	REDUCED (see note)
5	GEL 15A	2 flashes of the green warning light	GEL-AGM	
6	GEE 15A	2 flashes of the yellow warning light	GEL EXIDE® type	

6. If the setting is to be changed, perform the following procedure.
7. Turn off the machine by turning the ignition key (58) to "0".
8. Press and hold the switches (67) and (63) at the same time, then turn the ignition key (58) to "I".
9. Release the switches (67) and (63) at least 5 seconds after starting the machine.
10. Within 3 seconds, shortly press the switch (63) to go to the next setting (1 to 6 in cyclic sequence).



#### NOTE

When performing steps 9 and 10, the settings are shown on the display (71) too, by the code in the table.



#### NOTE

When using batteries with a capacity lower than 160Ah@5h (in case of doubt, refer to the battery documents), to avoid battery overheating during charging procedure, use the REDUCED charging current with setting 4, 5 or 6 shown in the table, according to the type of batteries installed.



#### NOTE

The battery charger must be set when setting the battery type.

### Battery charging

11. Charge the batteries (see the procedure in Maintenance chapter).

**BEFORE START-UP****WARNING!**

*At every machine start-up, check that, between the deck (10 and 28) and the machine or between the squeegee (30) and the machine, there is no foreign material which may prevent the deck and the squeegee from lifting. This check is necessary because, if the machine has been turned off without lifting the deck and the squeegee, when turned on again, the deck and the squeegee lift automatically.*

**Brush/pad-holder installation/removal**

(For SC3000 26" Disc)

According to the kind of cleaning to be performed, the machine can be equipped either with brushes (A, Fig. 1) or pad-holders (B) with pads (C) together with the appropriate deck.

For the installation/removal, proceed as follows.

1. Insert the ignition key (58) and turn it to "I".

**WARNING!**

*Before pressing the switch (67), always check that, between the deck (10) and the machine there is no foreign material which may prevent the deck from lifting.*

2. Lift the deck by pressing the switch (67).
3. Turn the ignition key (58) to "0" and remove it.
4. Install the brushes/pad-holders (A or B) in the drive hub (D) under the deck, then turn them in the opposite direction to their rotation direction, until they reach the end of stroke (E).
5. To remove the brushes/pad-holders perform steps 1 to 3, then manually release the brush/pad-holder from the hub by turning it abruptly in its normal rotation direction (F).

**WARNING!**

*If the machine is not perfectly assembled it can cause damages to people and properties. Always check that all components are assembled before starting the machine. Carefully inspect the machine before using it.*

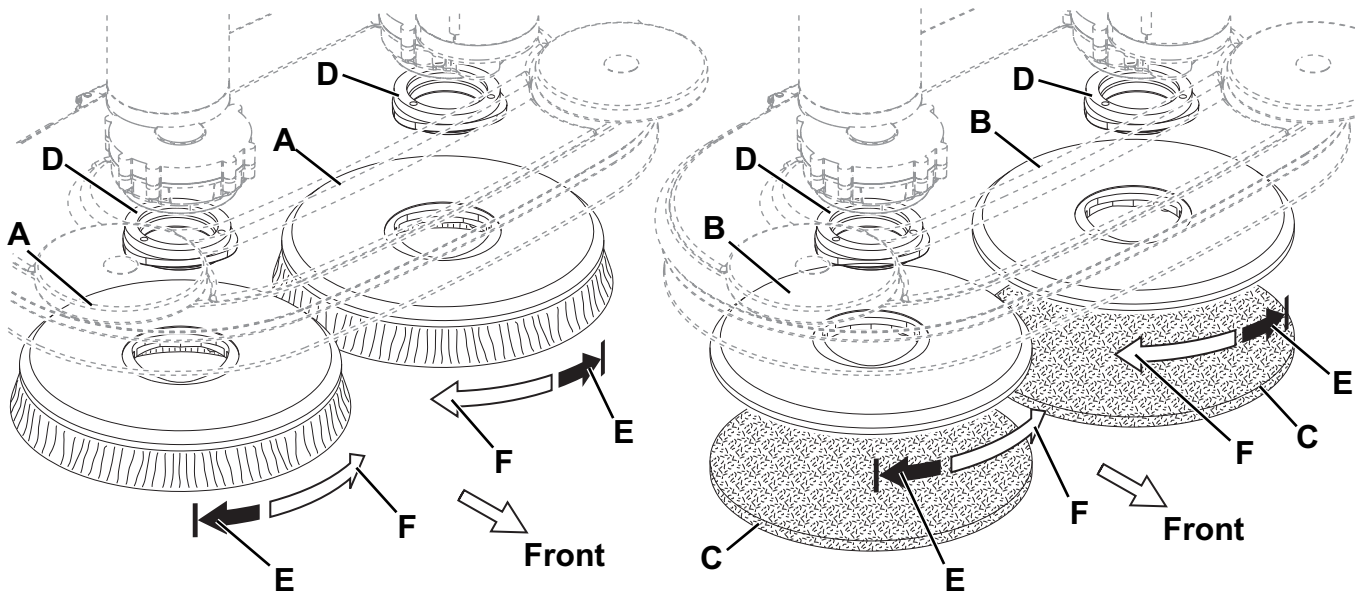


Figure 1

P100362

Available brushes and their relevant application guides (suggestions only)

Models	MIDLITE GRIT 180	MIDGRIT 240	PROLENE	PROLITE	UNION MIX
General cleaning:					
Concrete					
Terrazzo floor					
Ceramic tiles/quarrrstones					
Marble					
Vinyl tiles					
Rubber tiles					
Polishing:					
Rubber tiles					
Marble					
Vinyl tiles					

**Cylindrical brush installation/removal**

(For SC3000 28" Cyl.)

1. Insert the ignition key (58) and turn it to "I".



**WARNING!**

*Before pressing the switch (67), always check that, between the deck (28) and the machine there is no foreign material which may prevent the deck from lifting.*

2. Lift the deck by pressing the switch (67).
3. Turn the ignition key (58) to "0" and remove it.
4. On both sides of the machine, unscrew the knobs (A, Fig. 2) and remove the side skirt assemblies (B).
5. Unscrew the knobs (C) and remove the lids (D) by pushing the knobs downwards.
6. Install the cylindrical brushes (E), or remove them to install new ones.  
The cylindrical brushes must be installed on either sides.
7. Install the lids (D) and fasten them with the knobs (C).
8. Install the side skirt assemblies (B) and fasten them with the knobs (A).



**WARNING!**

*If the machine is not perfectly assembled it can cause damages to people and properties. Always check that all components are assembled before starting the machine. Carefully inspect the machine before using it.*

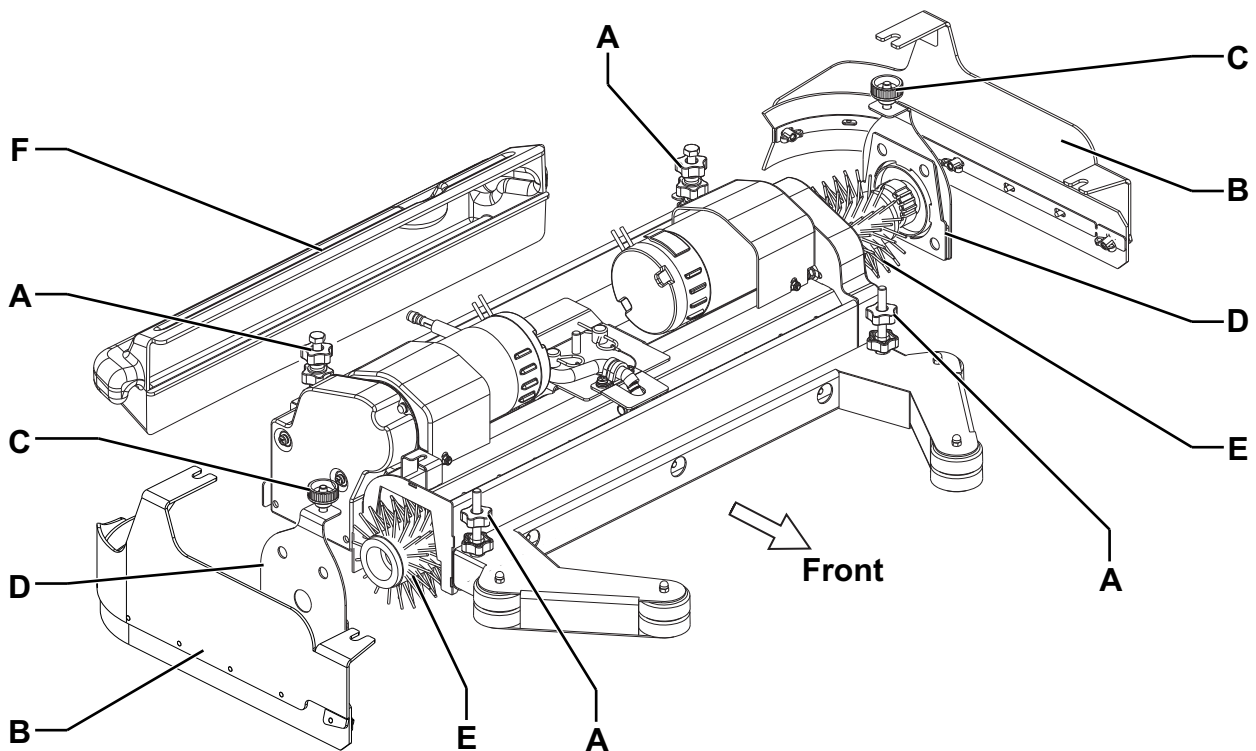


Figure 2

P100363

**Available cylindrical brushes and their relevant application guides (suggestions only)**

Models	MAGNA GRIT 46	DYNA GRIT 80	MIDLITE GRIT 180	PROLENE	PROLITE	UNION MIX
General cleaning:						
Concrete						
Terrazzo floor						
Ceramic tiles/quarystones						
Marble						
Vinyl tiles						
Rubber tiles						

**Squeegee installation**

1. Install the squeegee (30) and fasten it with the handwheels (34), then connect the vacuum hose (31) to the squeegee.
2. With the handwheel (35), adjust the squeegee so that the rear blades (18) - in all its length - touches the floor and the front blade is slightly detached from the floor.

**Solution/clean water tank filling****NOTE**

*If the machine is equipped with EcoFlex™ system pour clean water in the tank, otherwise pour solution.*

**CAUTION!**

*Use only low-foam and non-flammable detergents, intended for automatic scrubber applications.*

**WARNING!**

*When using floor cleaning detergents, follow the instructions on the labels of the detergent bottles. To handle floor cleaning detergents, wear suitable gloves and protections.*

1. Open the plug (23).
2. **(For machine without EcoFlex™ system)**  
Use the removable filler hose to fill the tank (22) with a solution suitable for the work to be performed. Do not fill the tank (22) completely, leave a few inches from the edge of the plug (23). Always follow the dilution instructions on the label of the chemical product used to prepare the solution. The solution temperature must not exceed 40 °C.  
**(For machine with EcoFlex™ system)**  
Fill the tank (22) with clean water by using the removable filler hose. Do not fill the tank (22) completely, leave a few inches from the edge of the plug (23). The water temperature must not exceed 40 °C.

**Detergent tank filling**

(For machine with EcoFlex™ system)

1. Open the cover (20) and check that the recovery tank (19) is empty, otherwise empty it with the drain hose (23).
2. Close the cover (20).
3. Carefully lift the tank assembly (44).
4. Open the detergent tank plug (42).
5. Fill the tank with a detergent suitable for the work to be performed (highly concentrated detergent). Do not fill the detergent tank completely, leave a few inches from the edge.

**NOTE**

*If the detergent tank is empty (in case of new system, system emptied for cleaning, etc.), in order to fill the hose quickly, it may be useful to drain EcoFlex™ system once or several times (see the procedure in Maintenance chapter).*

**Operator's position adjustment**

1. Adjust the height of the steering wheel (1) with the lever (2) and the height of the heel support (5) to reach a comfortable position.

## MACHINE START AND STOP

### Starting the machine

1. Prepare the machine as shown in the previous paragraph.
2. Turn the ignition key (58) to "I" without pressing the drive pedal (4). Check if the battery green warning light (62) turns on. If the yellow or red warning light turns on, turn the ignition key (58) back to "0" and charge the batteries (see the procedure in Maintenance chapter).
3. Drive the machine to the working place by keeping the hands on the steering wheel and pressing the pedal (4). The drive speed can be adjusted from zero to maximum speed by increasing the pressure on the pedal (4).
4. The forward/reverse gear is selected with the relevant lever (51) which is at the right of the steering wheel.

**NOTE**

*The driver's seat (17) is equipped with a safety sensor, which allows the machine to be driven by pressing the pedal (4) only when the operator is on the driver's seat.*

**NOTE**

*The machine is equipped with an anti-skid safety system (LED (72) flashing) that reduces the speed when turning and when the machine tilts laterally, irrespectively of the pressure on the pedal. In this case, the reduction of speed is not a malfunction but a characteristic that improves the machine stability and safety in every condition.*

5. Lower the brush/pad-holder deck and the squeegee by pressing the switch (67).
6. Press the solution flow control switches (59 and 60) according to the type of cleaning to be performed.
7. Start scrubbing, by turning the steering wheel (1) and moving the machine forward by pressing the pedal (4).

**NOTE**

*The machine is equipped with a safety system that turns on the brushes and vacuum system only when the machine is moving.*

### Stopping the machine

8. Release the pedal (4).  
It is not necessary to lock the machine during stopping or parking, because the electromagnetic brake on the wheel turns on automatically when the drive pedal is not pressed.
9. Lift the brush/pad-holder deck and the squeegee by pressing the switch (67).

## MACHINE OPERATION (SCRUBBING/DRYING)

1. Start the machine as shown in the previous paragraph.
2. If necessary, adjust the solution quantity by pressing the switches (59 and 60).
3. If necessary, to reduce the noise, turn on the mute function by pressing the switch (55).



### NOTE

*It is suggested to use the mute function only on smooth floors without joints.*



### NOTE

*For correct scrubbing/drying of floors at the sides of the walls, Advance suggests to go near the walls with the right side of the machine as shown in figure 3.*

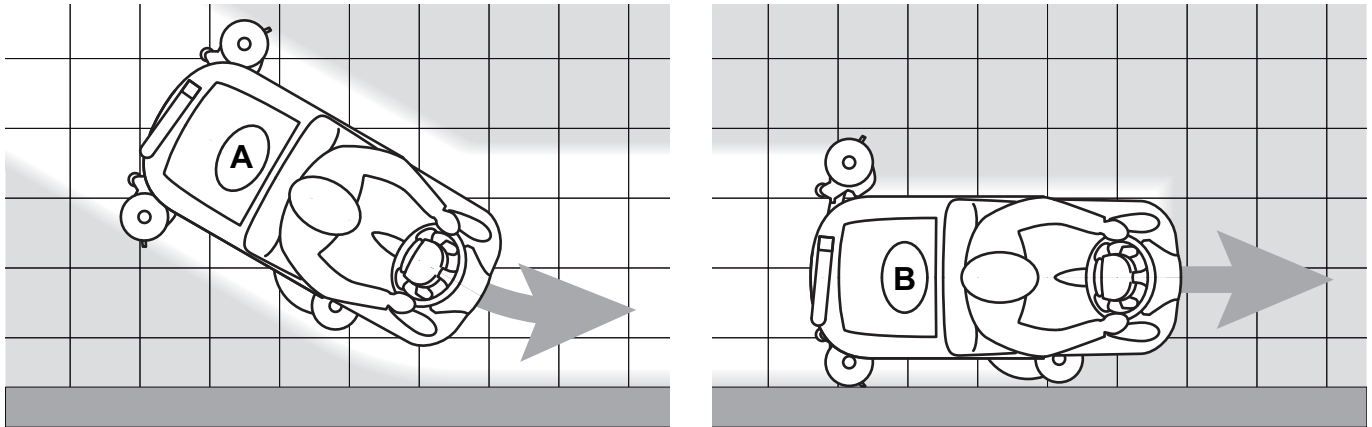


Figure 3

P100364

### Squeegee adjustment

4. If necessary, stop the machine and turn the squeegee balance adjusting handwheel (35) so that the rear blade - in all its length - touches the floor.

### Adjustment of the detergent concentration in the solution

(For machine with EcoFlex™ system)

The system used to mix the detergent with the washing water can be activated by pressing the detergent flow control switch (A, Fig. 4): when the LED (B) is on, the detergent is added to the washing water.

The display (C) shows the detergent concentration level in the solution as shown in the table in Figure 5.



### NOTE

*The detergent concentration in the solution dispensed from the system always corresponds to level 1. In order to temporarily obtain a stronger concentration, press the EcoFlex™ switch or disable the EcoFlex™ system (see the relevant paragraph).*

### EcoFlex™ function

Lift the EcoFlex™ lever (D, Fig. 4) whenever a stronger washing power is required.

When lifting the lever (D) (LED (E) flashing) the solution flow increases, the extra pressure function activates (for machines with EcoFlex™ system) and the detergent concentration in the corresponding solution rises to the set level (moreover, if the detergent mixing function is not activated, it activates automatically).

The original settings can be restored by lifting the lever (D) once again (LED (F) on).



### NOTE

*If the lever (D) is not lifted once again, the original settings are restored automatically after 60 seconds.*

In order to change the actual detergent concentration, proceed as follows:

1. Turn off the detergent flow control switch (A) (the LED (B) must be OFF).
2. Press and hold the detergent flow control switch (A) until the LED (B) flashes.
3. Release the switch (A). Press it again shortly to go to the next level shown by the display (C) as shown in the table in Figure 4; repeat the procedure until the desired setting is reached.
4. Wait until the LED (B) stops flashing: the new level is now set.



### NOTE

*Detergent percentage setting is stored into memory, even if the machine is turned off.*



**EcoFlex™ system disabling procedure**

(For machine with EcoFlex™ system)

In order to temporarily disable the system, lift the EcoFlex™ lever (D, Fig. 4) and keep it lifted for 2 seconds. After this procedure, (LED (D) off), the detergent concentration level is the one which has been set. To enable the system, lift the EcoFlex™ lever (D) again.

In order to permanently disable the EcoFlex™ system, proceed as follows:

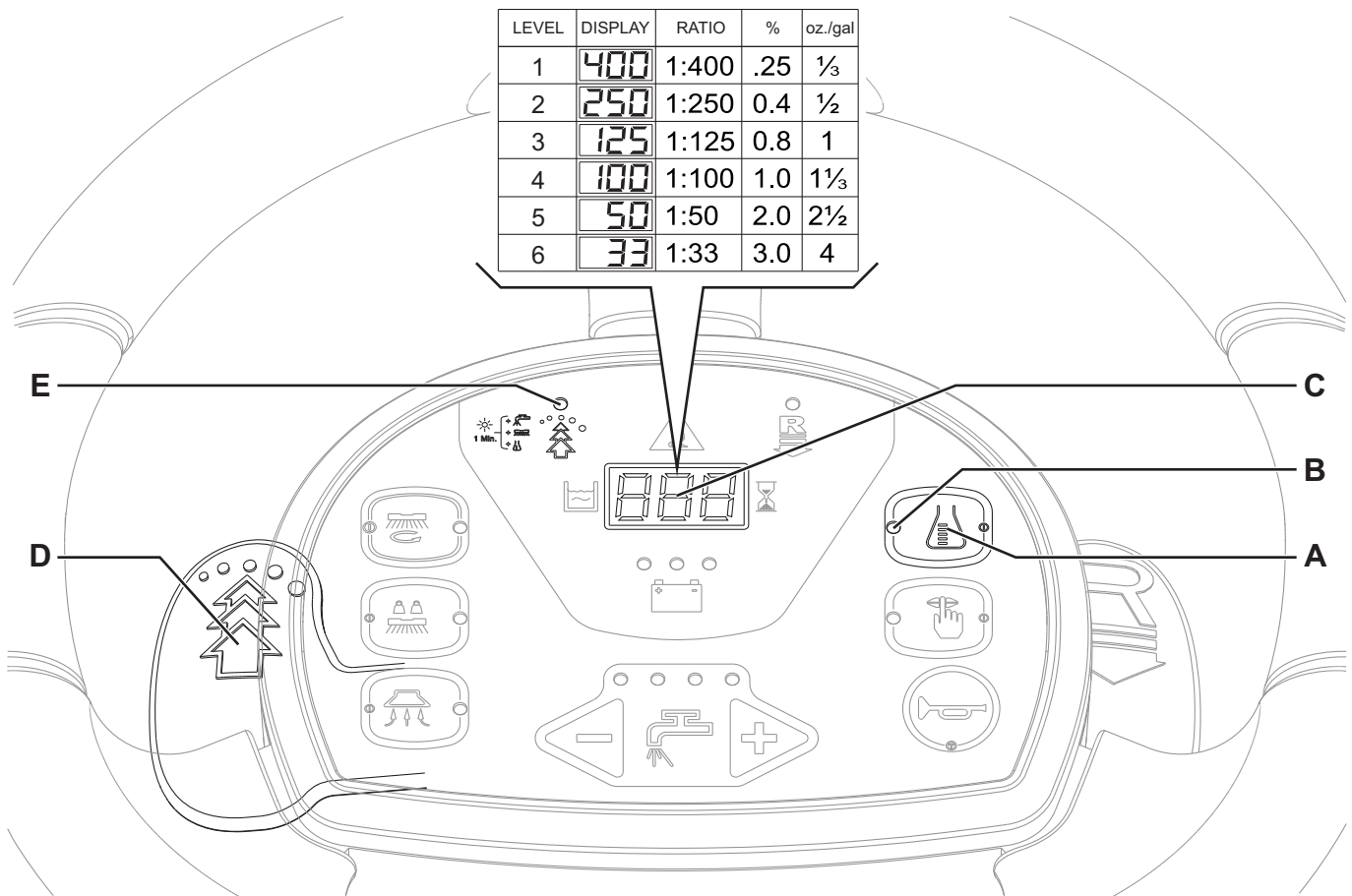
1. Turn off the machine by turning the ignition key (58) to "0".
2. Lift the lever (D), then turn the ignition key (58) to "I".
3. Release the lever (D) at least 8 seconds after turning on the machine.

After this procedure, the EcoFlex™ lever cannot be operated again (LED (E) off) and the detergent concentration level is the one which has been set.

In order to re-enable the system, repeat the steps 1 to 3.

**NOTE**

The permanent disabling of the EcoFlex™ system is stored into memory even after the machine is turned off.

**Figure 4**

P100365A

**Working with brush/pad-holder extra pressure function activated (only for SC3000 26" Disc)**

1. If the floor proves to be particularly difficult to clean, it is possible to turn on the brush/pad-holder extra pressure function by pressing the switch (65).
2. To return to normal pressure, press the switch (65) again.  
The switch (65) is enabled only when the deck (10) is lowered and the LED (68) of the switch (67) is on.

**CAUTION!**

*In case of brush/pad-holder motor overload, due to foreign bodies which prevent them from turning, or to excessively aggressive floors/brushes, the safety system stops the brushes/pad-holders after about one minute of continuous overload.*

*The overload is shown by the three battery warning lights (62) flashing simultaneously.*

*If the overload takes place when the extra pressure function is on, the system automatically reduces the pressure on the brushes/pad-holders, thus turning the extra pressure function off. If the overload persists, the brushes/pad-holders stop.*

*To start scrubbing again after a brush/pad-holder stop due to overload, stop the machine by turning the ignition key (58) to "0". Turn on the machine by turning the ignition key (58) to "I".*

**Battery discharge during operation**

1. Until the green warning light (62) stays on, the batteries allow the machine to work normally.  
When the green warning light turns off and first the yellow warning light then the red warning light turn on, the batteries must be charged.
  - When the yellow warning light turns on the machine residual autonomy will last for a few minutes (depending on the characteristics of the battery).
  - When the red warning light turns on the machine autonomy is over: after a few seconds the brushes/pad-holders are automatically stopped and the deck is automatically lifted. Only vacuum and drive systems still operate, just to dry the wet floor and move the machine to the appointed charging area.

**CAUTION!**

*Do not use the machine with discharged batteries, to avoid damaging the batteries and reducing the battery life.*

**NOTE**

*In case the machine drive system cannot be used in order to move the machine, see Pushing/Towing The Machine paragraph.*

**TANK EMPTYING**

An automatic float shut-off system (27) turns off the vacuum system when the recovery tank (19) is full.

The vacuum system deactivation is signaled by a sudden increase in the vacuum system motor noise frequency, also the floor has not dried.

**CAUTION!**

*If the vacuum system turns off accidentally (for example, when the float is activated because of a sudden machine movement), to resume the operation: turn off the vacuum system by pressing the switch (63), then open the cover (20) and check that the float inside the grid (27) has gone down to the water level. Then close the cover (20) and turn on the vacuum system by pressing the switch (63).*

When the recovery tank (19) is full, empty it according to the following procedure.

**Recovery tank emptying**

1. Stop the machine by releasing the pedal (4).
2. Lift the brush/pad-holder deck and the squeegee by pressing the switch (67).
3. Drive the machine to the appointed disposal area.
4. Empty the recovery tank with the hose (24).
5. Remove the container with debris collection grid (26), empty it and clean it with clean water. Then install it on the suction hose in the tank.
6. Then, rinse the tank with clean water.

**Solution/clean water tank emptying**

7. Perform steps 1 to 3.
8. Remove the adapter (45) from its housing inside the battery compartment.
9. Install the adapter (A, Fig. 5) on the squeegee vacuum hose (B), then fasten it to the drain valve (C).
10. Turn the ignition key (58) to "I" and turn on the vacuum system with the switch (63).
11. Open the drain valve (C) to drain the tank (22).  
The valve (C) is open when it is in the position (D) and it is closed when it is in the position (E).
12. Then, turn of the vacuum system and drain the recovery tank (19) with the hose (24).
13. When the procedure is over, close the drain valve (C), remove the adapter (A) and install the vacuum hose (B) on the squeegee (30).

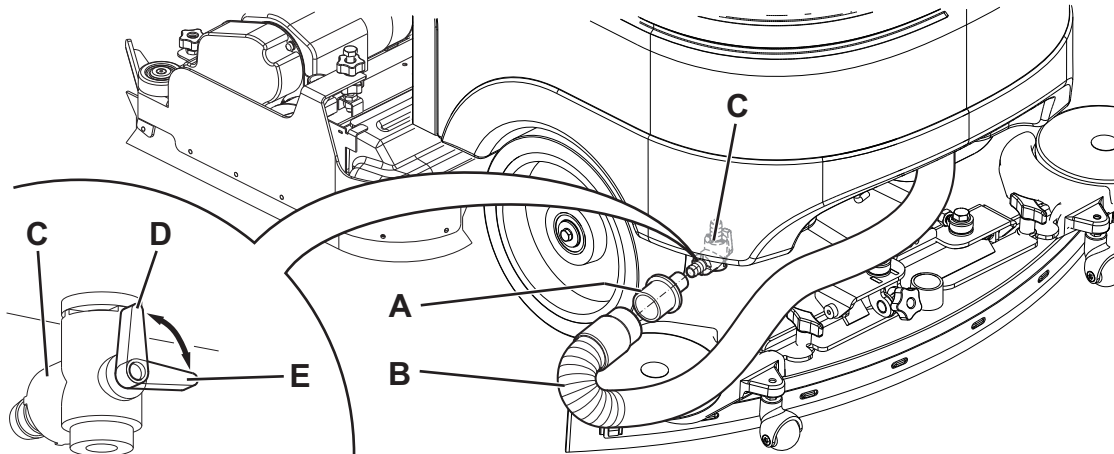


Figure 5

P100366

**Cylindrical brush debris container emptying (only for cylindrical brush deck)**

14. Stop the machine.
15. Lower the cylindrical brush deck and remove the debris container (F, Fig. 2).
16. Empty and wash the debris container (F), and then install it on the relevant stand.

**AFTER USING THE MACHINE**

After working, before leaving the machine:

1. Remove the brushes/pad-holders as shown in the relevant paragraph.
2. Empty the tanks (19 and 22) as shown in the previous paragraph.
3. Remove the squeegee (30) and clean it with hot water. Open the recovery tank cover (20) and hang the squeegee on the recovery tank by using the relevant hook (15).
4. Perform the daily maintenance procedures (see the Maintenance chapter).
5. Store the machine in a clean and dry place, with the brushes/pad-holders and the squeegee lifted or removed.

**PUSHING/TOWING THE MACHINE**

To push/tow the machine easily when the drive system cannot be used (for example in case of missing batteries, discharged batteries, etc.), disengage the electromagnetic brake by pulling the lever (7) and locking it with a spacer.

When the operation is over, remove the spacer under the lever (7) to activate the electromagnetic brake again.

**WARNING!**

*If the lever (7) is not disengaged after pushing/towing the machine, the electromagnetic brake is disengaged.*

**WARNING!**

*Do not start the machine when the electromagnetic brake is disengaged.*

*For safety reasons, it is recommended to disengage the electromagnetic brake only for the time necessary to manually move the machine.*

**MACHINE LONG INACTIVITY**

1. If the machine is not going to be used for more than 30 days, proceed as follows:
2. Perform the procedures shown in After using the machine paragraph.
3. Before disconnecting the battery red connector (9), proceed as follows:
  - Open the cover (20) and the plug (23), then check that the tanks (19 and 22) are empty, otherwise empty them.
  - Keep the recovery tank assembly (19) lifted by using the stand (25).

## FIRST PERIOD OF USE

After the first 8 hours, check the machine fastening and connecting parts for proper tightening. Check the visible parts for integrity and leakage.

## MAINTENANCE

The lifespan of the machine and its maximum operating safety are ensured by correct and regular maintenance. The following chart provides the scheduled maintenance. The intervals shown may vary according to particular working conditions, which are to be defined by the person in charge of the maintenance.



### WARNING!

**The procedures must be performed with the machine off and the battery disconnected. Moreover, carefully read the instructions in the Safety chapter.**

All scheduled or extraordinary maintenance procedures must be performed by qualified personnel, or by an authorized Service Center.

This Manual describes only the easiest and most common maintenance procedures.



### NOTE

For other maintenance procedures shown in the Scheduled Maintenance Table, refer to the Service Manual that can be consulted at any Service Center.

## SCHEDULED MAINTENANCE TABLE

Procedure	Daily, after using the machine	Weekly	Every six months	Yearly
Battery charging				
Squeegee cleaning				
Brush/pad cleaning				
Tank, debris collection grid and vacuum grid with float cleaning, and cover gasket check				
EcoFlex™ system cleaning and draining				
Squeegee blade check and replacement				
Side skirt check (only for 28" Cyl.)				
Solution filter cleaning				
Vacuum system motor filter cleaning				
Battery (WET) fluid level check				
Screw and nut tightening check			(1)	
Check and adjustment of driving belts between motors and cylindrical brushes (only for 28" Cyl.)			(2)	
Electromagnetic brake efficiency check			(2)	
Brush/pad-holder motor carbon brush check or replacement				(2)
Vacuum system motor carbon brush check or replacement				(2)
Drive system motor carbon brush check or replacement				(2)

(1) And after the first 8 working hours.

(2) This maintenance procedure must be performed by a Advance authorized Service Center.

## MACHINE WORKING HOUR CHECK

1. Insert the ignition key (58) and turn it to "I".
2. In the first 2 seconds of machine operation, the display (71) shows the total number of working hours (scrubbing/drying) performed by the machine.  
Turn the ignition key (58) to "0".

## SQUEEGEE CLEANING



### NOTE

The squeegee must be clean and its blades must be in good conditions in order to get a good drying.



### CAUTION!

It is advisable to wear protective gloves when cleaning the squeegee because there may be sharp debris.

1. Drive the machine on a level floor.
2. Insert the ignition key (58) and turn it to "I".
3. Lower the squeegee (30) by pressing the switch (63).
4. Turn the ignition key (58) to "0".
5. Disconnect the vacuum hose (31) from the squeegee.
6. Loosen the handwheels (34) and remove the squeegee (30).
7. Wash and clean the squeegee. In particular, remove dirt and debris from the compartments (A, Fig. 6) and the hole (B). Check that the front blade (C) and the rear blade (D) are integral and free from cuts and lacerations; if necessary replace them.
8. Assemble in the reverse order of disassembly.

## SQUEEGEE BLADE CHECK AND REPLACEMENT

1. Clean the squeegee (Fig. 6) as shown in the previous paragraph.
  2. Check that the edge (E) of the front blade (C) and the edge (F) of the rear blade (D) lay down on the same level, along their length; otherwise adjust their height according to the following procedure:
    - Remove the tie rod (G), disengage the fastener (M) and adjust the rear blade (D); then engage the fastener and install the tie rod.
    - Loosen the handwheels (I) and adjust the front blade (C), then tighten the handwheels.
  3. Check the front blade (C) and rear blade (D) for integrity, cuts and tears; otherwise replace them according to the following procedure. Check the front corner (J) of the rear blade for wear; if necessary, overturn the blade to replace the worn corner with an integral one. If the other corners are worn too, replace the blade according to the following procedure:
    - Remove the tie rod (G), disengage the fastener (M) and remove the retaining strip (K), then replace/overturn the rear blade (D).
    - Install the blade in the reverse order of removal.
    - Unscrew the handwheels (I) and remove the retaining strip (L), then replace the front blade (C).
    - Install the blade in the reverse order of removal.
- After the blade replacement (or overturning), adjust the height as shown in the previous step.
4. Connect the vacuum hose (31) to the squeegee.
  5. Install the squeegee (30) and screw down the handwheels (34).
  6. If necessary, adjust the squeegee balance adjusting handwheel (35).

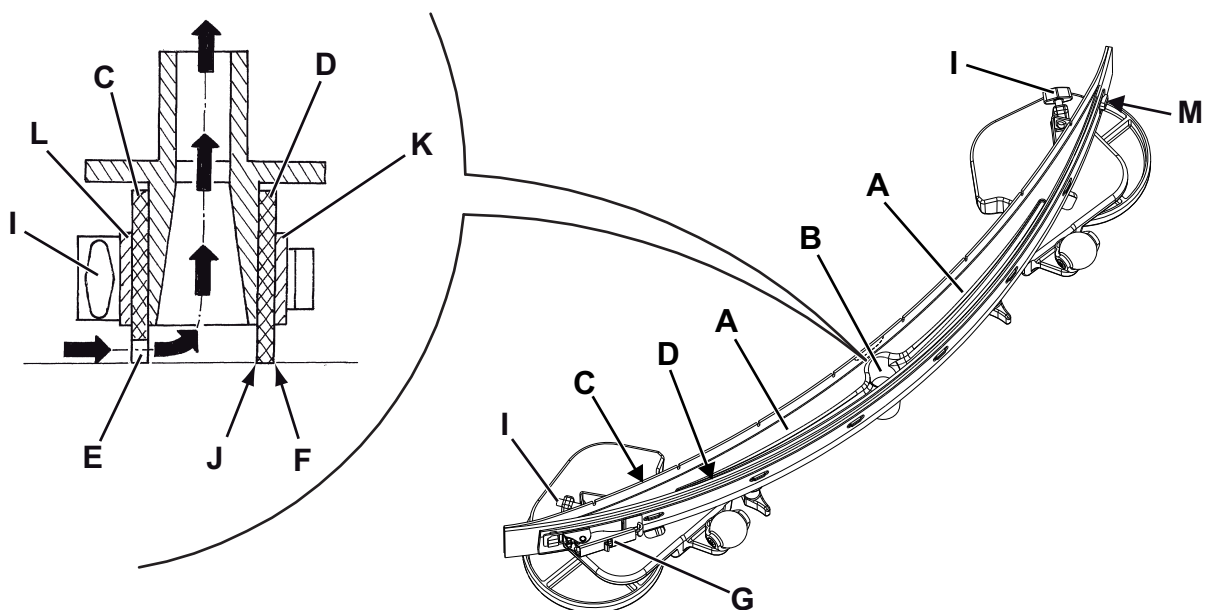


Figure 6

P100367

**BRUSH/CYLINDRICAL BRUSH CLEANING****CAUTION!**

*It is advisable to wear protective gloves when cleaning the brushes because there may be sharp debris.*

1. Remove the brushes/pads from the machine, as shown in Use chapter.
2. Clean and wash the brushes with water and detergent.
3. Check the brush bristles for integrity and wear; if necessary, replace the brushes.

**RECOVERY TANK CLEANING**

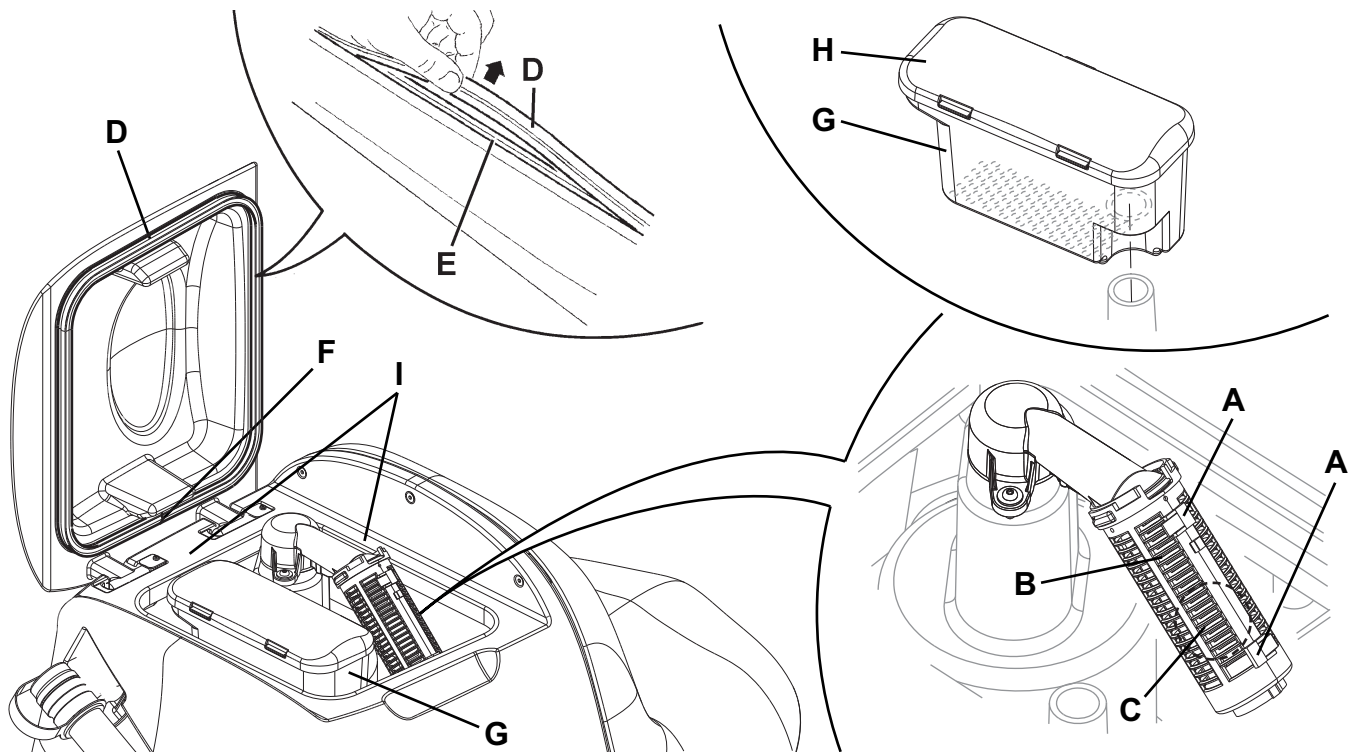
1. Drive the machine to the appointed disposal area.
2. Turn the ignition key (58) to "0".
3. Open the cover (20).
4. Clean and wash with clean water the cover (20) and the tank (19).  
Drain the water in the tank through the hose (24).
5. Clean the vacuum grid (27), release the fasteners (A, Fig. 7), open the grid (B) and recover the float (C) then clean carefully and reinstall.
6. Clean the container with debris collection grid (26), remove the container (G), remove the cover (H), then clean carefully and reinstall the vacuum hose.
7. Check the tank cover gasket (D) for integrity.

**NOTE**

*The gasket (D) creates vacuum in the tank that is necessary for the vacuuming of recovery water.*

If necessary replace the gasket (D) by removing it from its housing (E). When assembling the new gasket, install the joint (F) in the lower area, as shown in the figure.

7. Check that the seating surface (I) of the gasket (D) is integral, clean and adequate for the gasket itself.
8. Close the cover (20).



**Figure 8**

P100368

## SIDE SKIRT CHECK AND REPLACEMENT (only for 28" Cyl.)

### Check

1. Drive the machine on a level floor.
2. Turn the ignition key (58) to "0".
3. On both sides of the machine, unscrew the knob (A, Fig. 8) and remove the side skirt assemblies (B).
4. Wash and clean the skirt.
5. Check that the skirt lower edge (C):
  - lays down on the same level, along all its length;
  - is integral and free from cuts and lacerations;
  - has the inner corner (D) that is not worn;
 Otherwise overturn or replace the skirts according to the following procedure.

### Overturning or replacement

6. Remove the wing nuts (E), then remove the retaining strip (F).
7. Remove the skirt blade (G) and, if possible, overturn the blade to replace the lower inner corner (D) with an integral one. If the other three corners are worn too, replace the blade.

### Assembly and height adjustment

8. Assemble the blades (G) and skirt assembly (B) in the reverse order of disassembly.
9. Start the machine and lower the cylindrical brush deck (28), then check that the side skirt blades (G):
  - slightly touch the floor;
  - collect the solution.
10. If necessary stop the machine and adjust the skirt height by loosening the knob (A) and turning the knobs (H).
11. After adjusting, tighten the knob (A).

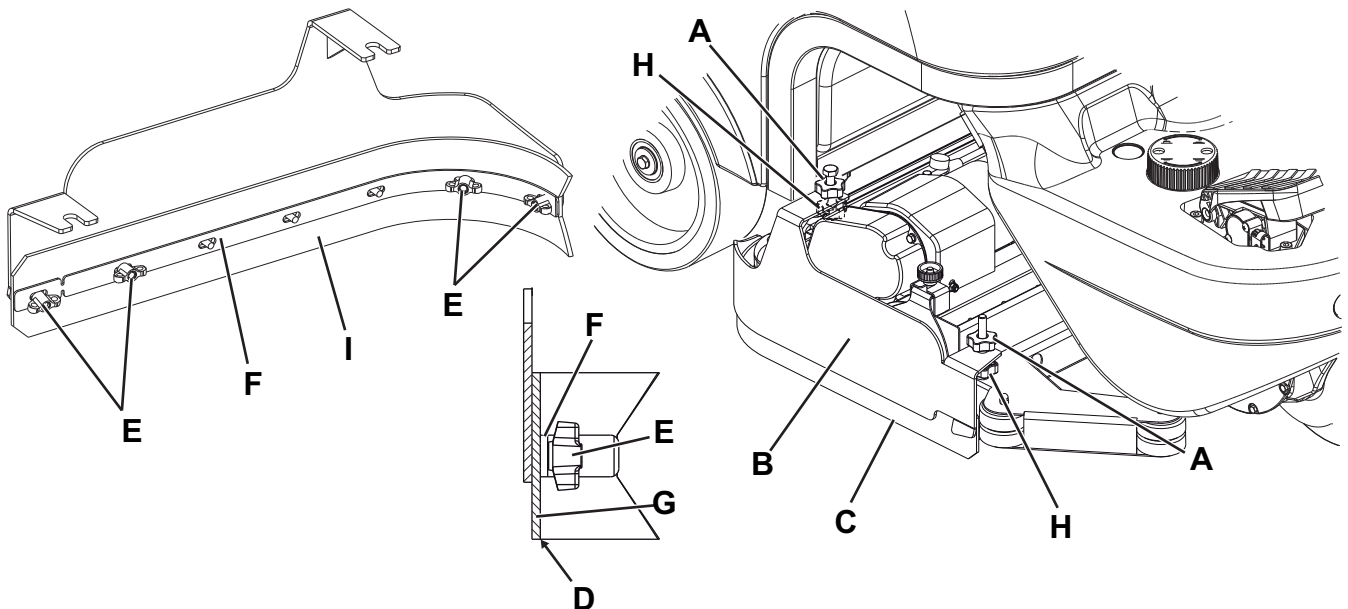


Figure 8

P100369

**VACUUM SYSTEM MOTOR FILTER CLEANING**

1. Drive the machine on a level floor.
2. Turn the ignition key (58) to "0".
3. Open the cover (20) and check that the recovery tank (19) is empty, otherwise empty it with the drain hose (24).
4. Close the cover (20).
5. Carefully lift the tank assembly (44).
6. Check that the filter (37) is clean. If necessary clean it with water and compressed air, then install it.

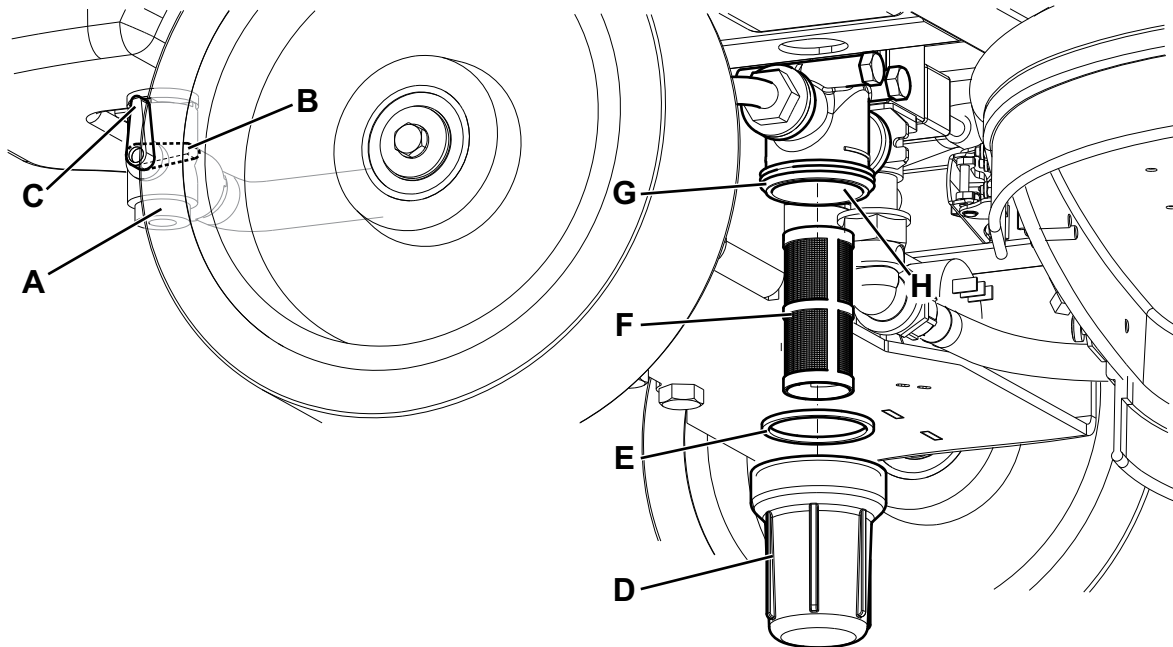
**SOLUTION FILTER CLEANING**

1. Drive the machine on a level floor.
2. Turn the ignition key (58) to "0".
3. Close the solution valve (A, Fig. 9) under the machine, behind the right rear wheel. The valve (A) is closed when it is in the position (B) and it is open when it is in the position (C).
4. Remove the transparent cup (D), recover the gasket (E), then remove the filter strainer (F) under the machine, in front of the right rear wheel. Clean them with water and install them on the support (G).

**NOTE**

*The filter strainer (F) must be correctly positioned on the housing of the support (G).*

5. Open the valve (A).



**Figure 9**

P100370



## BATTERY CHARGING

**NOTE**

Charge the batteries when the yellow or red warning light (62) turns on, or at the end of every working cycle.

**CAUTION!**

Keeping the batteries charged make them last longer.

**CAUTION!**

When the batteries are discharged, charge them as soon as possible, as that condition makes their life shorter. Check for battery charge at least once a week.

**WARNING!**

Battery charging produces highly explosive hydrogen gas. Charge the batteries in well-ventilated areas and away from naked flames.

Do not smoke while charging the batteries.

While charging the battery, always keep the tank assembly open with the relevant stand (25).

**WARNING!**

Pay careful attention when charging the batteries as there may be battery fluid leakages. The battery fluid is corrosive. If it comes in contact with skin or eyes, rinse thoroughly with water and consult a physician.

### Preliminary procedures

1. Drive the machine on a level floor.
2. Open the cover (20) and check that the tank (19) is empty, otherwise empty it with the drain hose (24).
3. Close the cover (20).
4. Carefully lift the tank assembly (44).
5. (For WET batteries only) Check the level of electrolyte inside the batteries (39). If necessary, unscrew the plugs (40) and top up.  
When the correct level is reached, close the caps (40) and, if necessary, clean the upper surface of the batteries.

### Battery charging

6. Connect the battery charger cable (41) to the electrical mains (the electrical mains voltage and frequency must be compatible with the battery charger values shown on the machine serial number plate).

**NOTE**

When the battery charger is connected to the electrical mains, all machine functions are automatically cut off.

The red warning light (62) is on when the battery charger is charging the batteries.

The yellow warning light (62) is on when the battery charger is completing the battery charging.

4. When the green warning light turns on, the battery charging is completed.
5. When the battery charging is completed, disconnect the battery charger cable (41) from the electrical mains and wind it round its housing behind the battery charger.
6. Carefully lower the tank assembly (44).
7. Now the machine is ready to be used.

**NOTE**

For further information about the battery charger operation (16), see the relevant Manual.

## DETERGENT TANK CLEANING

(For machine with EcoFlex™ system)

Clean the detergent tank (42) according to the following procedure:

1. Drive the machine to the appointed disposal area.
2. Open the cover (20) and check that the recovery tank (19) is empty, otherwise empty it with the drain hose (24). Close the cover (20).
3. Carefully lift the tank assembly (44).
4. Unscrew the plug and disconnect the hose (A, Fig. 10) from the tank (B).
5. Remove the tank.
6. Wash the tank in the appointed disposal area.
7. Install the tank (42) in the position shown in the figure and connect it to the hose (A).
8. When the detergent tank has been drained, the EcoFlex™ system must be drained too (see the procedure in the following paragraph).

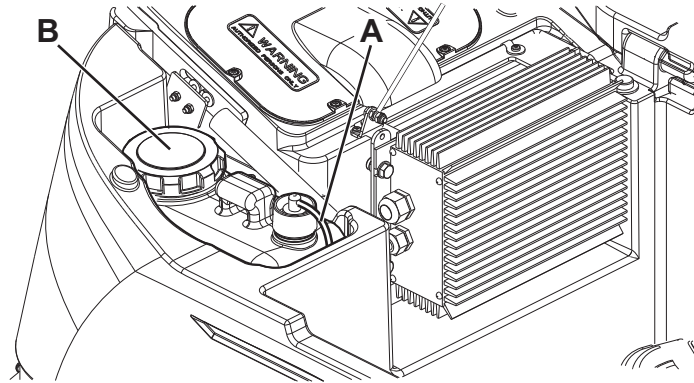


Figure 10

P100371

## ECOFLEX™ SYSTEM DRAINING

(For machine with EcoFlex™ system)

1. Clean the detergent tank according to the procedure shown in the previous paragraph. To remove the detergent remained in the hoses and in the pump, perform the following procedure.
2. Turn on the machine by turning the ignition key (58) to "I" position.
3. Press the switch (53). Check that the switch LED (54) turns on.
4. Press the switches (53 and 59) at the same time, until the switch LED (54) starts flashing (after about 5 seconds).
5. Release the switches and wait for the LED (54) to stop flashing and for the vacuum system to turn on.
6. Collect the detergent remained on the floor.
7. Turn the ignition key (58) to "0".
8. Lift the tank (19), then check that the detergent tank hose (42) is empty, otherwise perform steps 3 to 7 again.



### NOTE

*The draining cycle lasts about 30 seconds, then the vacuum function automatically turns on, which allows to remove the detergent remained.*

*The draining cycle can also be performed with the detergent tank (42) full of water, thus cleaning the system thoroughly. It is advisable to perform this type of draining to clean the EcoFlex™ system from dirt and deposits if the machine has not been used/cleaned for a long time.*

*The draining cycle can be performed also to quickly fill the detergent supply hose when the tank (42) is full but the system is still empty.*

*If necessary, the draining cycle can be repeatedly performed.*

## FUSE CHECK/REPLACEMENT



### NOTE

*All machine electrical circuits are protected by auto-resettable electronic devices. The safety fuses activates only in case of serious damage.*

*It is recommended to have the fuses replaced by qualified personnel only.*

*Refer to the Service Manual available at any Advance Retailer.*

## **SAFETY FUNCTIONS**

The machine is equipped with the following safety functions.

### **EMERGENCY PUSH-BUTTON**

It is located in an easily accessible position (8). Press it firmly in case of immediate necessity to stop all machine functions. To reset the machine operation, lift the tank assembly (44) and reconnect the battery connector (9).

### **ANTI-SKID SAFETY SYSTEM**

This system reduces the speed when turning and when the machine tilts laterally to avoid sudden skids, this increasing the machine stability in any condition.



### **DRIVER'S SEAT MICROSWITCH**

It is located inside the driver's seat and it does not allow the machine drive system to operate if the operator is not seated on the driver's seat.

### **ELECTROMAGNETIC BRAKE**

It is built-in the front wheel and keeps the machine braked when the machine is off or stopped.

## TROUBLESHOOTING

TROUBLE	POSSIBLE CAUSE	REMEDY
The motors do not work; no warning light turns on.	The battery connector is disconnected.	Connect.
	The batteries are discharged.	Charge the batteries.
The machine does not move and the display (71) shows the error code: 	The machine has been turned on by using the ignition key and by keeping the pedal pressed.	Release the drive pedal. If the problem persists, contact an authorised Service Center.
At the machine start-up, the LED (68) of the switch (67) flashes and the brushes do not work.	The machine has been turned off without lifting the brush deck.	Wait for the deck to lift before turning on again the brushes by pressing the switch.
The brushes do not work; the red warning light flashes.	The batteries are discharged.	Charge the batteries.
The 3 warning lights (62) flash simultaneously.	The brush motors are overloaded.	Use less aggressive brushes and/or avoid working with extra pressure turned on.
	There are foreign materials (tangled threads, etc.) preventing the brushes from rotating.	Clean the brush hubs.
The display (71) shows an error code as:  where "00" is replaced by a code different from "t4".	The machine electronic control system is in alarm condition.	Turn off the machine and then turn it on again. If the problem persists, contact an authorised Service Center.
The dirty water vacuuming is insufficient.	The recovery tank is full.	Empty the tank.
	The vacuum grid is clogged or the float is closing.	Clean the vacuum grid.
	The container with debris collection grid is clogged.	Clean.
	The hose is disconnected from the squeegee	Connect.
	The squeegee is dirty, or the squeegee blades are worn or damaged.	Clean the squeegee or overturn/replace the blades.
	The tank cover is not properly closed, or the gasket is damaged.	Correctly close the cover or clean/replace the gasket.
The solution flow is insufficient.	The solution tank is empty.	Fill.
	The solution filter is dirty	Clean the filter.
	The EcoFlex™ system tank is dirty/encrusted.	Drain.
The squeegee leaves marks on the floor.	There are debris under the squeegee blades.	Remove the debris.
	The squeegee blades are worn, chipped or torn.	Overturn or replace the blades.
	The squeegee is not balanced with the handwheel.	Adjust the squeegee.



**NOTE**

*The machine cannot operate without the battery charger.  
In case of battery charger malfunction, contact an authorized Service Center.*

For further information, refer to Advance Service Centers.

## SCRAPPING

Have the machine scrapped by a qualified scrapper.

Before scrapping the machine, remove and separate the following materials, which must be disposed of properly according to the Law in force:

- Batteries
- Brushes
- Plastic hoses and components
- Electrical and electronic components (\*)

(\*) Refer to the nearest Advance Center especially when scrapping electrical and electronic components.

## TABLE DES MATIERES

<b>INTRODUCTION</b> .....	<b>2</b>
BUT ET CONTENU DU MANUEL .....	2
DESTINATAIRES.....	2
CONSERVATION DU MANUEL.....	2
DONNEES D'IDENTIFICATION .....	2
AUTRES MANUELS DE REFERENCE.....	2
PIECES DE RECHANGE ET ENTRETIEN .....	2
MODIFICATIONS ET AMELIORATIONS.....	2
CAPACITES OPERATIONNELLES .....	2
CONVENTIONS .....	2
<b>DEBALLAGE / LIVRAISON</b> .....	<b>3</b>
<b>SECURITE</b> .....	<b>3</b>
SYMBOLES UTILISES .....	3
INSTRUCTIONS GENERALES.....	4
<b>DESCRIPTION DE LA MACHINE</b> .....	<b>6</b>
STRUCTURE DE LA MACHINE .....	6
VOLANT AVEC TABLEAU DE BORD.....	8
ACCESSOIRES / OPTIONS.....	9
CARACTERISTIQUES TECHNIQUES.....	9
SCHEMA ELECTRIQUE.....	10
<b>UTILISATION</b> .....	<b>12</b>
CONTROLE / PREPARATION DES BATTERIES SUR UNE MACHINE NEUVE .....	12
INSTALLATION DES BATTERIES ET CONFIGURATION DU TYPE DE BATTERIES (WET OU GEL/AGM).....	13
AVANT LA MISE EN MARCHE .....	14
MISE EN MARCHE ET ARRET DE LA MACHINE .....	17
MACHINE AU TRAVAIL (LAVAGE / SECHAGE) .....	18
VIDANGE DES RESERVOIRS.....	20
APRES L'UTILISATION DE LA MACHINE .....	21
MOUVEMENT PAR POUSSEE/REMORQUAGE DE LA MACHINE .....	21
PREMIERE PERIODE D'UTILISATION.....	22
<b>ENTRETIEN</b> .....	<b>22</b>
PLAN D'ENTRETIEN PROGRAMME.....	22
CONTROLE DES HEURES DE TRAVAIL DE LA MACHINE .....	22
NETTOYAGE DE L'EMBOUCHURE .....	23
CONTROLE ET REMPLACEMENT DES LAMELLES EN CAOUTCHOUC DE L'EMBOUCHURE .....	23
NETTOYAGE DES BROSSES OU DES BROSSES CYLINDRIQUES .....	24
NETTOYAGE DU RESERVOIR DE L'EAU DE RECUPERATION .....	24
CONTRÔLE ET REMPLACEMENT DES VOILETS LATÉRAUX (uniquement pour 28" Cyl.) .....	25
NETTOYAGE DU FILTRE DU MOTEUR DU SYSTEME D'ASPIRATION.....	26
NETTOYAGE DU FILTRE DE LA SOLUTION .....	26
CHARGEMENT DES BATTERIES .....	27
NETTOYAGE DU RESERVOIR DU DETERGENT .....	28
VIDANGE SYSTEME ECOFLEX™ .....	28
CONTROLE / REMPLACEMENT DES FUSIBLES .....	28
<b>FONCTIONS DE SECURITE</b> .....	<b>29</b>
BOUTON-POUSSOIR D'URGENCE .....	29
SYSTEME DE SECURITE ANTI-DERAPAGE.....	29
MICROINTERRUPTEUR DU SIEGE DE CONDUITE.....	29
FREIN ELECTROMAGNETIQUE .....	29
<b>DEPISTAGE DES PANNES</b> .....	<b>30</b>
<b>MISE A LA FERRAILLE</b> .....	<b>30</b>

## INTRODUCTION



### REMARQUE

Les nombres entre parenthèses se réfèrent aux composants indiqués au chapitre Description de la machine.

## BUT ET CONTENU DU MANUEL

Ce manuel se propose de fournir à l'opérateur toutes les informations nécessaires afin qu'il puisse utiliser la machine correctement et la gérer de la manière la plus autonome et sûre. Il comprend des informations concernant l'aspect technique, la sécurité, le fonctionnement, l'arrêt de la machine, l'entretien, les pièces de rechange et la mise à la ferraille.

Avant d'effectuer toute opération sur la machine, les opérateurs et les techniciens qualifiés doivent lire attentivement les instructions contenues dans ce manuel. En cas de doutes sur la correcte interprétation des instructions, contacter Advance pour avoir plus de renseignements.

## DESTINATAIRES

Ce manuel s'adresse à l'opérateur aussi bien qu'aux techniciens préposés à l'entretien de la machine.

Les opérateurs ne doivent pas exécuter les opérations réservées aux techniciens qualifiés. Advance ne répond pas des dommages dus à l'inobservance de cette interdiction.

## CONSERVATION DU MANUEL

Le Manuel opérateur doit être gardé près de la machine, dans une enveloppe spéciale et, surtout, loin de liquides et de tout ce qui pourrait en compromettre l'état de lisibilité.

## DONNEES D'IDENTIFICATION

Le numéro de série et le modèle de la machine sont marqués sur la plaque (21) appliquée à la colonne de direction.

L'année de fabrication de la machine est indiquée dans la Déclaration de Conformité, ainsi que par les deux premiers chiffres du numéro de série de la machine.

Ces informations sont nécessaires lors de la commande des pièces de rechange de la machine. Utiliser l'espace suivant pour noter les données d'identification de la machine.

Modèle de la MACHINE .....
Numéro de série de la MACHINE .....

## AUTRES MANUELS DE REFERENCE

- Manuel du chargeur de batterie électronique (qui constitue une partie intégrante de ce manuel)

Les manuels suivants sont aussi disponibles :

- Manuel d'entretien (consultable auprès des Services après-vente Advance)
- Catalogue de pièces de rechange (livré avec la machine)

## PIECES DE RECHANGE ET ENTRETIEN

Pour toute nécessité concernant l'emploi, l'entretien et la réparation, s'adresser au personnel qualifié ou directement aux Services après-vente Advance. N'utiliser que des pièces de rechange et accessoires d'origine.

Pour l'assistance ou la commande de pièces de rechange et accessoires, contacter Advance en spécifiant toujours le modèle et le numéro de série.

## MODIFICATIONS ET AMELIORATIONS

Advance vise à un constant perfectionnement de ses produits et se réserve le droit d'effectuer des modifications et des améliorations lorsqu'elle le considère nécessaire sans l'obligation de modifier les machines précédemment vendues.

Il est entendu que toute modification et / ou addition d'accessoires doit toujours être approuvée et réalisée par Advance.

## CAPACITES OPERATIONNELLES

Cette autolaveuse est conçue et fabriquée pour le nettoyage (lavage et séchage) de sols lisses et solides, en milieux civils et industriels, en conditions de complète sécurité, par un opérateur qualifié.

L'autolaveuse n'est pas adaptée au lavage de tapis ou moquettes.

## CONVENTIONS

Toutes les références à en avant, en arrière, avant, arrière, droite ou gauche indiquées dans ce manuel doivent être considérées comme référées à l'opérateur assis en position de conduite sur son siège (17).

## DEBALLAGE / LIVRAISON

Pour déballer la machine, suivre attentivement les instructions sur l'emballage.

Pour le déplacement manuel de la machine, consulter le paragraphe Mouvement de la machine par poussée / remorquage.

Lors de la livraison de la machine, contrôler attentivement que l'emballage et la machine n'ont pas été endommagés pendant le transport. Si les dommages sont évidents, garder l'emballage de façon qu'il puisse être examiné par le transporteur qui l'a livré.

Contactez immédiatement le transporteur pour remplir une demande de dommages-intérêts.

Contrôler que le matériel livré avec la machine correspond à la liste suivante :

- Documentation technique :
  - Manuel d'utilisation de l'autolaveuse
  - Manuel du chargeur de batterie électronique
  - Catalogue de pièces de rechange de l'autolaveuse
- N° 2 fusibles lamellaires
- N° 2 cales pour logement de batterie de 6 V

## SECURITE

On utilise les symboles suivants pour signaler les conditions de danger potentielles. Lire attentivement ces informations et prendre les précautions nécessaires pour protéger les personnes et les choses.

Pour éviter tout accident, la collaboration de l'opérateur est essentielle. Aucun programme de prévention des accidents du travail ne peut résulter efficace sans la totale collaboration de la personne directement responsable du fonctionnement de la machine. La plupart des accidents qui peuvent survenir dans une entreprise, pendant le travail ou les déplacements, sont dus à l'inobservance des plus simples règles de prudence. Un opérateur attentif et prudent est la meilleure garantie contre les accidents du travail et se révèle indispensable pour compléter n'importe quel programme de prévention.

### SYMBOLES UTILISES

**DANGER !**

*Indique une situation dangereuse exposant l'opérateur au risque de blessures graves, voire mortelles.*

**ATTENTION !**

*Indique un risque potentiel d'accident pour les personnes ou de dommage matériel.*

**AVERTISSEMENT !**

*Indique un avertissement ou une remarque sur des fonctions clé ou utiles. Prêter la plus grande attention aux segments de texte marqués par ce symbole.*

**REMARQUE**

*Indique une remarque sur des fonctions clé ou utiles.*

**CONSULTATION**

*Indique la nécessité de consulter le Manuel opérateur avant toute opération.*

**INSTRUCTIONS GENERALES**

Les avertissements et précautions spécifiques suivants informent sur les potentiels dangers de dommages matériels ou blessures.

**DANGER !**

- Avant d'effectuer toute opération de nettoyage, d'entretien et de remplacement des composants, débrancher le connecteur de la batterie et enlever la clé de contact.
- Cette machine doit être utilisée uniquement par le personnel adéquatement formé.
- Tenir les étincelles, les flammes et les matériaux incandescents éloignés des batteries. Les batteries produisent des gaz potentiellement explosifs pendant l'utilisation ordinaire.
- Ne pas porter de bijoux quand on travaille près de composants électriques.
- Ne pas travailler sous la machine soulevée, sans des supports fixes de sécurité convenables.
- Ne pas opérer avec cette machine en présence de poudres, liquides ou vapeurs nuisibles, dangereux, inflammables et / ou explosifs : la machine ne doit pas être utilisée pour ramasser des matériaux dangereux.
- Le chargement de batteries produit un gaz hydrogène très explosif. Garder le groupe réservoirs en position ouverte pendant le cycle de rechargement des batteries et effectuer l'opération exclusivement en milieu bien aérés et loin de flammes libres.

**ATTENTION !**

- Avant d'effectuer toute opération d'entretien / réparation, lire attentivement toutes les instructions qui concernent l'entretien / réparation.
- Avant d'utiliser le chargeur de batterie, s'assurer que la fréquence et la tension indiquées sur la plaque avec numéro de série coïncident avec la tension du réseau.
- Ne pas utiliser le câble du chargeur de batterie pour tirer ou transporter la machine et ne pas utiliser le câble comme poignée. Ne pas fermer de porte sur le câble du chargeur de batterie, ne pas tirer le câble sur des surfaces ou coins tranchants. Ne pas faire passer la machine sur le câble du chargeur de batterie.
- Tenir le câble du chargeur de batterie éloigné des surfaces chaudes.
- Ne pas utiliser la machine si le câble du chargeur de batterie ou la fiche sont endommagés. Si la machine ne fonctionne pas correctement, si elle est endommagée, laissée à l'extérieur ou tombée dans l'eau, l'amener auprès d'un Service après-vente agréé.
- Pour réduire le risque d'incendie, chocs électriques ou blessures, ne pas laisser la machine sans surveillance lorsqu'elle est branchée au réseau électrique. Débrancher le câble du chargeur de batterie du réseau électrique avant d'effectuer toute opération d'entretien.
- Ne pas fumer pendant le chargement des batteries.
- Pour éviter l'utilisation non autorisée de la machine, enlever la clé de contact.
- Avant de laisser la machine sans surveillance, veiller à ce que celle-ci ne puisse pas bouger de façon autonome.
- Protéger toujours la machine du soleil, de la pluie et d'autres intempéries, pendant le fonctionnement et en état d'arrêt. Garder la machine dans un endroit couvert et sec : elle a été conçue pour l'utilisation à sec, par conséquent elle ne doit pas être utilisée ou gardée dehors, dans des conditions d'humidité.
- Avant d'utiliser la machine, fermer tous les portillons et / ou couvercles.
- Ne pas laisser que la machine est utilisée comme jouet. Faire attention lorsque la machine est utilisée à proximité des enfants.
- Ne pas utiliser à des fins autres que celles prévues dans ce manuel. Utiliser seulement les accessoires recommandés par Advance.
- Prendre les précautions convenables afin que les cheveux, les bijoux, les parties non adhérentes des vêtements ne soient pas capturés par les parties en mouvement de la machine.
- Ne pas utiliser la machine sur des surfaces en pente.
- Afin de ne pas compromettre la stabilité, ne pas incliner la machine d'un angle supérieur à la valeur indiquée sur la machine même.



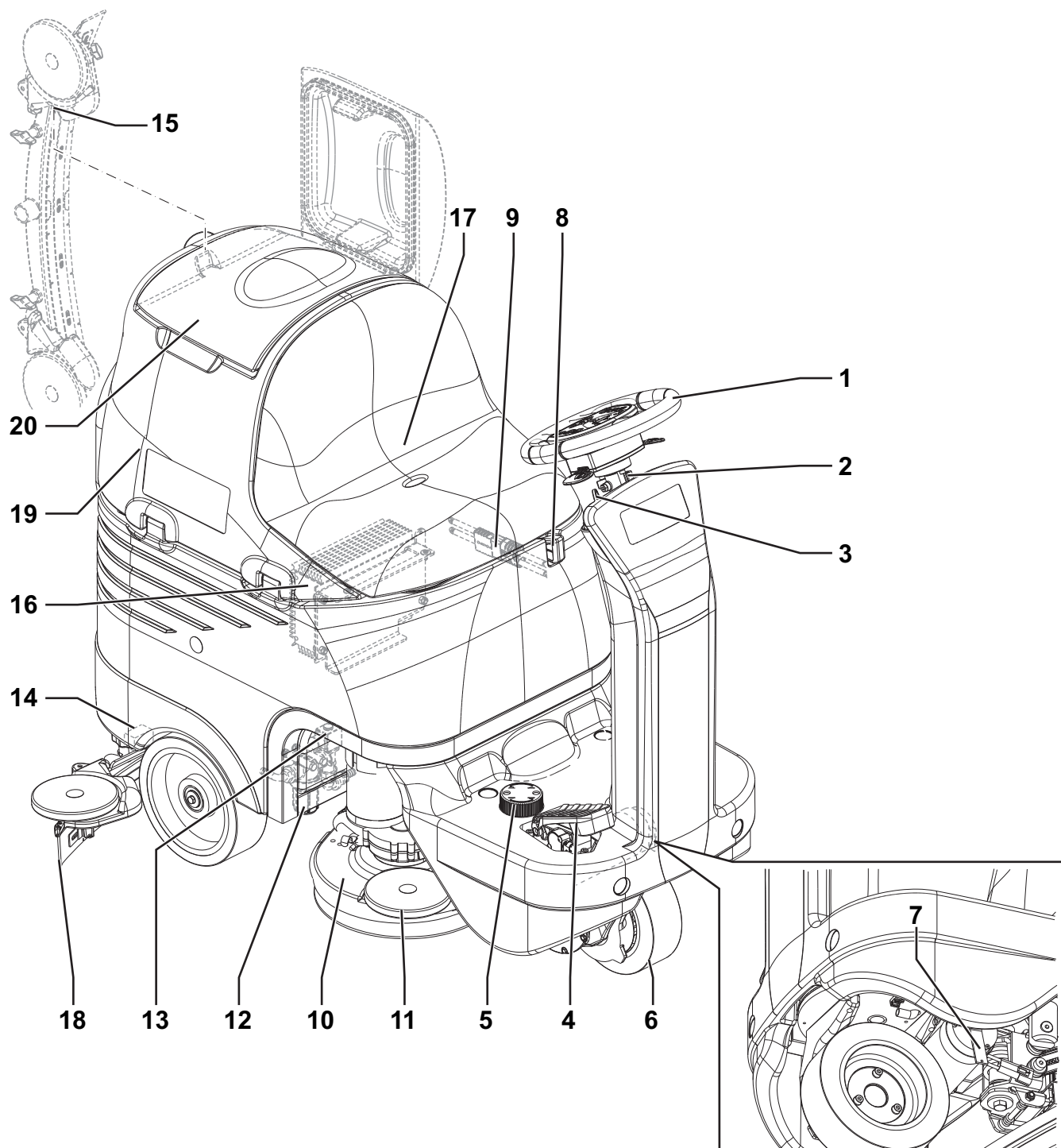
**ATTENTION !**

- *Ne pas utiliser la machine dans des endroits très poussiéreux.*
- *Utiliser la machine seulement dans des endroits bien illuminés.*
- *Si la machine est utilisée en présence d'autres personnes, il faut allumer le feu tournant et l'avertisseur sonore de marche arrière (optionnels).*
- *Pendant l'utilisation de la machine, faire attention à sauvegarder l'intégrité des personnes et des choses.*
- *Ne pas heurter contre des étagères ou des échafaudages, en particulier en cas de danger de chute d'objets.*
- *Ne pas poser de conteneurs de liquides sur la machine.*
- *La température de travail de la machine doit être comprise entre +32 °F et 104 °F (0 °C et +40 °C).*
- *La température de stockage de la machine doit être comprise entre +32 °F et 104 °F (0 °C et +40 °C).*
- *L'humidité doit être comprise entre 30% et 95%.*
- *Pendant l'utilisation de détergents pour le nettoyage des sols, suivre toujours les instructions et les avertissements indiqués sur les étiquettes des flacons.*
- *Avant la manipulation de détergents pour le nettoyage des sols, mettre les gants et les vêtements de protection adéquats.*
- *Ne pas utiliser la machine comme moyen de transport.*
- *Ne pas faire travailler les brosses lorsque la machine est arrêtée pour ne pas endommager le sol.*
- *En cas d'incendie, il est préférable d'utiliser un extincteur à poudre, plutôt qu'un extincteur à eau.*
- *Ne pas altérer pour aucune raison les protections prévues pour la machine, respecter scrupuleusement les instructions prévues pour l'entretien ordinaire.*
- *Ne pas laisser entrer d'objets dans les ouvertures. Ne pas utiliser la machine si les ouvertures sont obstruées. Garder les ouvertures de la machine libres de poussière, filasse, poils et tout autre corps étranger à même de réduire le flux d'air.*
- *Ne pas enlever ou altérer les plaques apposées sur la machine.*
- *Pour déplacer la machine manuellement, il est nécessaire de débloquer le frein électromagnétique. Après avoir déplacé la machine, activer à nouveau le frein électromagnétique. Ne jamais utiliser la machine avec le frein électromagnétique désactivé.*
- *Si l'on doit déplacer la machine par poussée pour des raisons de service (manque de batteries, batteries déchargées, etc.), ne jamais dépasser la vitesse de 2.5 mi/h (4 km/h).*
- *La machine n'est pas approuvée pour l'utilisation sur la voie publique.*
- *Faire attention pendant les déplacements de la machine en conditions de températures inférieures au point de congélation. L'eau présente dans le réservoir de l'eau de récupération ou dans les tuyaux pourrait se congeler et endommager sérieusement la machine.*
- *Utiliser les brosses et les disques livrés avec la machine et ceux spécifiés dans les Instructions d'utilisation. L'utilisation de brosses ou disques différents peut compromettre la sécurité.*
- *S'assurer que les éventuelles anomalies de fonctionnement de la machine ne dépendent pas du manque d'entretien. En cas contraire, demander l'intervention du personnel autorisé ou d'un Service après-vente autorisé.*
- *En cas de remplacement de pièces, demander les pièces de rechange D'ORIGINE à un Concessionnaire ou Revendeur autorisé.*
- *Afin de garantir la sécurité et le bon fonctionnement de la machine, faire effectuer l'entretien programmé prévu au chapitre spécifique de ce manuel par du personnel autorisé ou par un Service après-vente autorisé.*
- *Ne pas laver la machine avec des jets d'eau directs ou sous pression ou avec des substances corrosives.*
- *Si la machine est dotée de batteries au plomb (WET), incliner la machine pas plus que 30° par rapport à la surface horizontale afin de ne pas causer la sortie de ce liquide très corrosif des batteries. S'il est nécessaire d'incliner la machine pour effectuer des opérations d'entretien, déposer les batteries.*
- *Lors de la mise à la ferraille, la machine ne doit pas être abandonnée par la présence de matériaux toxiques (batteries, etc.), sujets à des lois qui prévoient l'élimination auprès de centres spéciaux (voir le chapitre Mise à la ferraille).*

## DESCRIPTION DE LA MACHINE

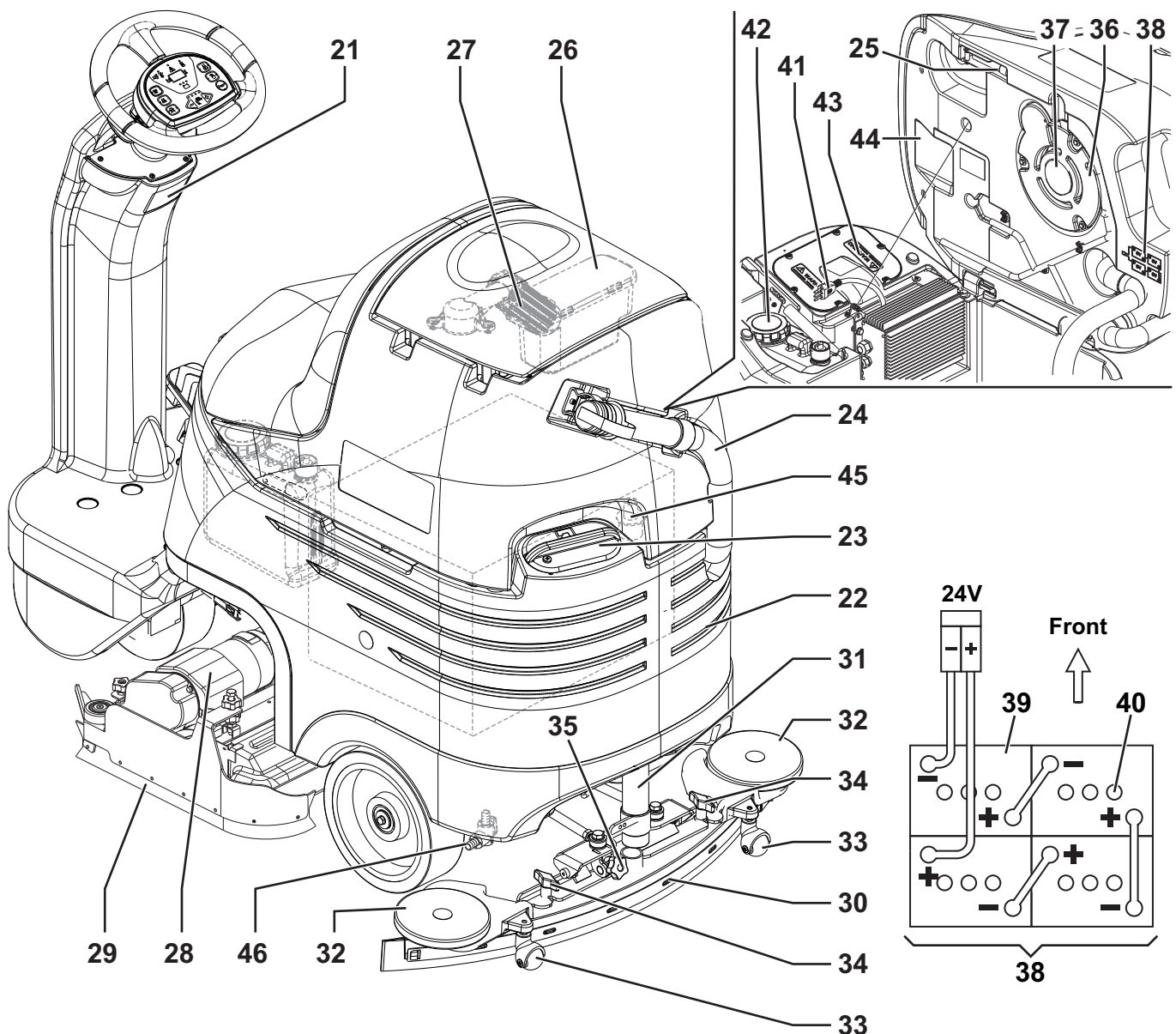
### STRUCTURE DE LA MACHINE

- |   |   |
|---|---|
| 1. Volant avec tableau de bord (voir le paragraphe suivant) | 11. Rouleau pare-chocs  |
| 2. Levier de réglage hauteur volant                         | 12. Filtre de solution  |
| 3. Clé de contact   | 13. Electrovanne  |
| 4. Pédale de marche   | 14. Robinet ouverture / fermeture réservoir solution / eau propre |
| 5. Réglage hauteur appui talon                              | 15. Crochet pour embouchure                                       |
| 6. Roue avant de direction, de traction et de freinage      | 16. Chargeur de batterie  |
| 7. Levier de déblocage frein électromagnétique              | 17. Siège   |
| 8. Bouton-poussoir d'urgence                                | 18. Groupe lamelles en caoutchouc embouchure                      |
| 9. Connecteur batteries                                     | 19. Réservoir basculant eau de récupération                       |
| 10. Tête porte-brosses/plateaux support disque              | 20. Couvercle réservoir eau de récupération                       |



**STRUCTURE DE LA MACHINE (suite)**

- |  |  |
|--|--|
| <ul style="list-style-type: none"> <li>21. Plaque avec numéro de série / données techniques / marquage de conformité</li> <li>22. Réservoir solution / eau propre</li> <li>23. Bouchon de remplissage réservoir solution / eau propre avec tuyau extractible pour remplissage</li> <li>24. Tuyau de vidange eau de récupération</li> <li>25. Pied de support groupe réservoir</li> <li>26. Conteneur déchets avec grille</li> <li>27. Grille d'aspiration avec fermeture automatique à flotteur</li> <li>28. Tête porte-brosses cylindriques</li> <li>29. Volet latéral tête porte-brosses cylindriques</li> <li>30. Embouchure</li> <li>31. Tuyau d'aspiration embouchure</li> <li>32. Rouleau pare-chocs embouchure</li> <li>33. Roues d'appui embouchure</li> </ul> | <ul style="list-style-type: none"> <li>34. Boutons de fixation embouchure</li> <li>35. Bouton de réglage équilibrage embouchure</li> <li>36. Moteur système d'aspiration</li> <li>37. Filtre moteur système d'aspiration</li> <li>38. Schéma de branchement batteries</li> <li>39. Batteries</li> <li>40. Bouchons batteries</li> <li>41. Câble d'alimentation chargeur de batterie</li> <li>42. Réservoir détergent (*)</li> <li>43. Couvercle logement dispositifs électroniques</li> <li>44. Groupe réservoir et siège soulevé</li> <li>45. Adaptateur pour tuyau extractible pour remplissage à l'eau et tuyau d'aspiration embouchure</li> <li>46. Robinet solution / eau propre</li> </ul> <p>(*) Uniquement pour machines avec système EcoFlex™</p> |
|--|--|



## VOLANT AVEC TABLEAU DE BORD

51. Levier d'activation / désactivation marche arrière  
 52. DEL activation marche arrière  
 53. Bouton-poussoir de réglage flux de détergent à l'eau de lavage (\*)  
 54. DEL bouton-poussoir de réglage pourcentage de détergent à l'eau de lavage (\*)  
 55. Interrupteur fonction de mode silencieux  
 56. DEL fonction de mode silencieux  
 57. Interrupteur avertisseur sonore  
 58. Clé de contact  
 59. Bouton-poussoir d'augmentation flux de solution  
 60. Bouton-poussoir de réduction flux de solution  
 61. Barre de visualisation flux de solution  
 62. DELS état de charge batteries  
 • DEL vert - batteries chargées  
 • DEL jaune - batteries presque déchargées  
 • DEL rouge - batteries déchargées  
 63. Interrupteur système d'aspiration  
 64. DEL système d'aspiration  
 65. Interrupteur d'extra-pression (l'interrupteur n'est pas actif dans la version 28" Cyl.)  
 66. DEL extra-pression  
 67. Bouton-poussoir de soulèvement / abaissement de tête porte-brosses / plateaux support disque et embouchure  
 68. DEL soulèvement / abaissement de tête porte-brosses / plateaux support disque et embouchure  
 69. Levier d'activation / désactivation système EcoFlex™ (\*)  
 70. DEL système EcoFlex™ (\*) :  
 • DEL allumé - EcoFlex™ en fonction  
 • DEL clignotant - neutralisation EcoFlex™  
 • DEL éteint - EcoFlex™ désactivé  
 71. Ecran indiquant le compteur horaire et le niveau de la solution :  
 • Lors de la mise en marche il indique, pendant quelques secondes, les heures de travail effectuées.  
 • Pendant l'utilisation de la machine, il indique le niveau de la solution / eau propre contenue dans le réservoir (en gallons).  
 • Lorsque le niveau dépasse les 18 US gal, l'afficheur visualise "FUL".  
 • Lorsque le niveau est inférieur à 4 US gal, l'afficheur visualise "LO".  
 • Quand le réservoir est presque vide, l'indication "LO" commence à clignoter.

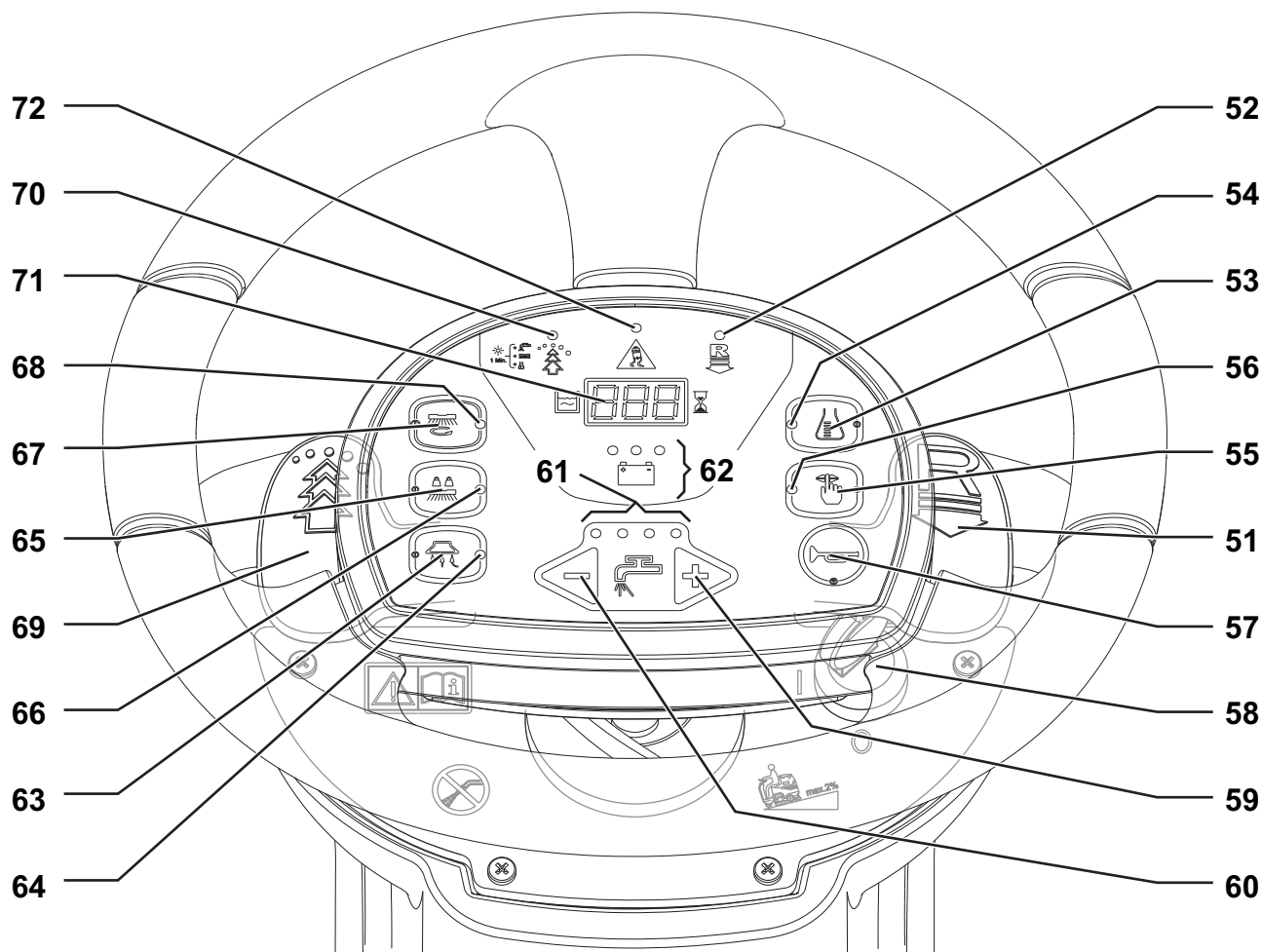


## REMARQUE

L'indication "LO" en mode clignotant peut apparaître avant la vidange complète du réservoir, il est donc possible d'effectuer les dernières phases de travail, en contrôlant tout de même le flux réel de solution détergente arrivant aux brosses.

72. DEL activation contrôle anti-dérage

(\*) Actifs uniquement pour machines avec système EcoFlex™



## ACCESSOIRES / OPTIONS

Outre les composants présents dans le modèle standard, la machine peut être équipée des accessoires optionnels suivants, selon l'emploi spécifique de la machine :

- Batteries GEL / AGM
- Brosses et brosses cylindriques de matériaux différents par rapport aux brosses standard
- Disques de matériaux différents par rapport aux disques standard
- Lamelles en caoutchouc de l'embouchure de matériaux différents par rapport aux lamelles standard
- Feu clignotant
- Kit mop a trash
- Moteur système d'aspiration à 0.9 HP (670 W)

Pour de plus amples informations relatives aux accessoires optionnels susmentionnés, s'adresser au revendeur agréé.

## CARACTERISTIQUES TECHNIQUES

### Caractéristiques techniques générales

Description	26" Disc	28" Cyl.
Largeur de nettoyage	26 in (660 mm)	28 in (710 mm)
Largeur embouchure	35 in (890 mm)	
Capacité réservoir solution / eau propre	21 US gal (80 litres)	
Débit de solution	de 0.26 à 0.8 US gal/min (de 1 à 3 litres/min)	
Diamètre roues arrière sur essieu fixe	9.8 in (250 mm)	
Pression spécifique au sol roue avant	72 psi (0.5 N/mm <sup>2</sup> )	
Pression spécifique au sol roues arrière	130 psi (0.9 N/mm <sup>2</sup> )	
Diamètre roue avant de direction, de traction et de freinage	8.8 in (225 mm)	
Puissance moteur système d'aspiration	0.56 HP (420 W)	
Puissance moteur système de traction	0.4 HP (300 W)	
Vitesse maximum	3.7 mph (6 km/h)	
Pente maximum d'usage	2% (1.14°)	
Pression acoustique à l'oreille de l'opérateur (ISO 11201, ISO 4871, EN 60335-2-72) (LpA)	65 dB(A) ± 3 dB(A)	
Puissance acoustique émise par la machine (ISO 3744, ISO 4871, EN 60335-2-72) (LwA)	82 dB(A)	
Niveau de vibrations transmises aux bras de l'opérateur (ISO 5349-1, EN 60335-2-72)	< 98.4 in/s <sup>2</sup> (< 2.5 m/s <sup>2</sup> )	
Niveau de vibrations transmises au corps de l'opérateur (ISO 2631-1, EN 60335-2-72)	3.1 in/s <sup>2</sup> (0.8 m/s <sup>2</sup> )	
Dimensions logement batteries (longueur x largeur x hauteur)	14.9 x 21.2 x 11.8 in (380 x 540 x 300 mm)	
Type de batteries	4 batteries de 6 V, 180 Ah C5 (WET)	
	4 batteries de 6 V, 180 Ah C5 (GEL / AGM)	
Dépression système d'aspiration	0.0098 MPa (1,000 mmH <sub>2</sub> O)	
Hauteur machine	46.8 in (1,190 mm)	
Longueur maximum machine	53.5 in (1,360 mm)	
Largeur machine sans embouchure	26.4 in (670 mm)	31.9 in (810 mm)

### Caractéristiques techniques avec tête porte-brosses / plateaux support disque

Description	26" Disc
Diamètre brosse / disque	13 in (330 mm)
Poids sans batteries et avec réservoirs vides	385.8 lb (175 kg)
Poids maximum avec batteries, réservoirs pleins et opérateur (75 kg) (PTC)	983.2 lb (446 kg)
Puissance moteur brosse / plateau support disque	2 x 0.53 HP (2 x 400 W)
Vitesse de rotation brosse / plateau support disque	230 tr/mn
Pression brosses / plateaux support disque avec extra-pression désactivée	66.1 lb (30 kg)
Pression brosses / plateaux support disque avec extra-pression activée	105.8 lb (48 kg)

## Caractéristiques techniques avec tête porte-brosses cylindriques

Description	28" Cyl.
Dimensions brosse cylindrique (diamètre x longueur)	5.7 x 27.2 in (145 x 690 mm)
Poids sans batteries et avec réservoirs vides	396.8 lb (180 kg)
Poids maximum avec batteries, réservoirs pleins et opérateur (75 kg) (PTC)	994.3 lb (451 kg)
Puissance moteur brosse cylindrique	2 x 0.8 HP (2 x 600 W)
Vitesse de rotation brosses cylindriques	720 tr/mn
Pression brosses cylindriques	77.1 lb (35 kg)

## SCHEMA ELECTRIQUE

## Légende

BAT	Batteries de 24 V
BE	Feu clignotant (optionnel)
BRK	Frein électromagnétique
BZ1	Avertisseur sonore de marche arrière / avertisseur sonore
C1	Connecteur batteries
C2	Connecteur principal chargeur de batterie
C3	Connecteur secondaire chargeur de batterie
C4	Connecteur tête brosses
CH	Chargeur de batterie (optionnel)
EB1	Carte électronique de fonctions
EB2	Carte électronique afficheur
EB3	Carte électronique sérigraphie tableau de bord
ES1	Télérupteur moteurs brosses
EV1	Electrovanne
F1	Fusible tête brosses
F2	Fusible carte électronique principale
F3	Fusible circuits de signaux
F4	Fusible actionneurs
K1	Commutateur de démarrage
M1.1,2	Moteurs brosse
M2	Moteur système d'aspiration
M3	Moteur système de traction
M4	Pompe détergent (optionnelle)
M5	Moteur actionneur tête brosses
M6	Moteur actionneur embouchure
m0	Microinterrupteur position 0 actionneur embouchure
m1	Microinterrupteur position 1 actionneur embouchure
m2	Microinterrupteur position 2 actionneur embouchure
PR1	Pressostat niveau détergent / eau propre
RV1	Potentiomètre pédale de marche
SW1	Microinterrupteur siège

## Codes des couleurs

BK	Noir
BU	Bleu
BN	Marron
GN	Vert
GY	Gris
OG	Orange
PK	Rose
RD	Rouge
VT	Violet
WH	Blanc
YE	Jaune

(\*) Uniquement pour versions SC3000 26" Disc



## UTILISATION

**ATTENTION !**

*Des plaques adhésives appliquées sur certains points de la machine indiquent :*

- **DANGER**
- **ATTENTION**
- **AVERTISSEMENT**
- **CONSULTATION**

Lors de la lecture de ce manuel, l'opérateur doit bien comprendre le sens des symboles illustrés sur les plaques. Ne pas couvrir les plaques et les remplacer immédiatement en cas d'endommagement.

## CONTROLE / PREPARATION DES BATTERIES SUR UNE MACHINE NEUVE

**ATTENTION !**

*Les composants électriques de la machine peuvent être sérieusement endommagés si les batteries ne sont pas installées et branchées correctement. Les batteries doivent être installées par le personnel qualifié. Configurer la carte électronique de fonctions selon le type de batteries installé (WET ou GEL / AGM).*

*Contrôler les batteries avant l'installation pour vérifier qu'elles ne soient pas endommagées.*

*Débrancher le connecteur des batteries et la fiche du chargeur de batterie.*

*Déplacer les batteries avec attention.*

*Installer les protections des bornes des batteries équipées avec la machine.*

La machine requiert 4 batteries de 6 V, branchées selon le schéma (38).

La machine peut être livrée selon un des modèles suivants :

### **Batteries (WET ou GEL/AGM) installées sur la machine et prêtes à l'utilisation**

1. Ouvrir le couvercle (20) et contrôler si le réservoir de l'eau de récupération (19) est vide. Dans le cas contraire, le vider au moyen du tuyau de vidange (24).
2. Fermer le couvercle (20).
3. Soulever le groupe réservoirs (44) avec soin.
4. Vérifier que les batteries sont branchées à la machine au moyen du connecteur (9).
5. Baisser le groupe réservoirs (44) avec soin.
6. Introduire la clé de contact de la machine (58) et la tourner en position "I". Si le DEL vert (62) de l'indicateur de l'état de charge des batteries s'allume, les batteries sont prêtes à l'utilisation. Si le DEL jaune ou rouge s'allume, il est nécessaire de charger les batteries (voir la procédure au chapitre Entretien).

### **Sans batteries**

1. Acheter des batteries adéquates (voir le paragraphe Caractéristiques techniques). Pour le choix et l'installation, s'adresser à des revendeurs de batteries qualifiés.
2. Configurer la machine en fonction du type de batteries installé (WET ou GEL / AGM) (voir le paragraphe suivant).
3. Installer les batteries (voir le paragraphe suivant).
4. Charger les batteries.



## INSTALLATION DES BATTERIES ET CONFIGURATION DU TYPE DE BATTERIES (WET OU GEL/AGM)

### Installation des batteries

- Ouvrir le couvercle (20) et contrôler si le réservoir de l'eau de récupération (19) est vide. Dans le cas contraire, le vider au moyen du tuyau de vidange (24).
- Fermer le couvercle (20).
- Soulever le groupe réservoirs (44) avec soin.
- Installer les batteries et les brancher selon le schéma spécifique (38).

### Configuration du type de batteries

En fonction du type de batteries choisi (WET ou GEL / AGM), configurer la carte électronique de la machine et du chargeur de batterie à bord, en procédant comme suit :

- Tourner la clé de contact (58) sur "I" et remarquer la configuration en cours en comptant, durant les premières secondes de fonctionnement de la machine, le nombre de clignotements des DELS (62) de la batterie, comme le montre le tableau ci-dessous :

CONFIGURATION	AFFICHEUR (71)	SIGNALISATION DEL BATTERIES (62)	TYPE DE BATTERIE	COURANT DE CHARGE
1	WET 20A	4 clignotements DEL rouge	WET	STANDARD
2	GEL 20A	4 clignotements DEL vert	GEL-AGM	
3	GEE 20A	4 clignotements DEL jaune	GEL type EXIDE®	
4	WET 15A	2 clignotements DEL rouge	WET	REDUIT (voir remarque)
5	GEL 15A	2 clignotements DEL vert	GEL-AGM	
6	GEE 15A	2 clignotements DEL jaune	GEL type EXIDE®	

- S'il est nécessaire de changer la configuration, procéder comme suit.
- Arrêter le moteur en tournant la clé de contact (58) en position "0".
- Appuyer en même temps et maintenir enfoncés les interrupteurs (67) et (63), puis tourner la clé de contact (58) en position "I".
- Relâcher les interrupteurs (67) et (63) après 5 secondes minimum du démarrage de la machine.
- Dans les 3 secondes, appuyer à nouveau rapidement sur l'interrupteur (63) pour passer à la configuration suivante (de 1 à 6 en succession cyclique).



#### REMARQUE

Pendant l'exécution des points 9 et 10, les configurations sont affichées aussi par l'afficheur (71) avec le code dans le tableau.



#### REMARQUE

Si on utilise des batteries de capacité inférieure à 160 Ah@5h (en cas de doute, consulter la documentation des batteries), pour éviter une surchauffe excessive durant leur remise en charge, utiliser le courant de charge REDUIT par les configurations 4, 5 ou 6 indiquées dans le tableau selon le type de batterie installée.



#### REMARQUE

Le chargeur de batterie doit être configuré sur la base de la configuration du type de batteries.

### Chargement des batteries

- Charger les batteries (voir la procédure au chapitre Entretien).

## AVANT LA MISE EN MARCHÉ

**ATTENTION !**

A chaque démarrage de la machine, contrôler qu'il n'y a pas de corps étrangers entre la tête (10 et 28) et la machine ou bien entre l'embouchure (30) et la machine, qui peuvent faire barrage au soulèvement de la tête et de l'embouchure. Ce contrôle s'impose puisque si la machine a été arrêtée sans soulever la tête porte-brosses et l'embouchure, lors de l'allumage successif la tête et l'embouchure se soulèvent automatiquement.

**Installation / dépose des brosses / plateaux support disque**

(Pour SC3000 26" Disc)

Sur la machine équipée de la tête spéciale, et les brosses (A, Fig. 1) et les plateaux support disque (B) avec disques (C) peuvent être installés, en fonction du traitement à effectuer sur le sol.

Pour leur installation/dépose, procéder comme suit.

1. Introduire la clé de contact de la machine (58) et la tourner en position "I".

**ATTENTION !**

Avant d'actionner l'interrupteur (67), contrôler qu'il n'y a pas de corps étrangers entre la tête (10) et la machine qui peuvent faire barrage au soulèvement de la tête.

2. Soulever la tête en appuyant sur l'interrupteur (67).
3. Positionner la clé de contact (58) sur "0" et l'enlever.
4. Installer les brosses/plateaux support disque (A ou B) et les introduire dans le moyeu d'entraînement (D) sous la culasse, puis les tourner dans les sens contraire au sens de rotation des brosses jusqu'en butée (E).
5. Pour déposer les brosses/plateau support disque, exécuter les points de 1 à 3, puis décrocher manuellement la brosse/plateau support disque du moyeu en la faisant tourner dans le sens de rotation (F).

**ATTENTION !**

L'utilisation de la machine qui n'est pas installée parfaitement peut provoquer des lésions aux personnes et endommager les équipements. Vérifier toujours que tous les composants ont été installés avant de mettre la machine en service. Inspecter la machine avec soin avant de l'utiliser.

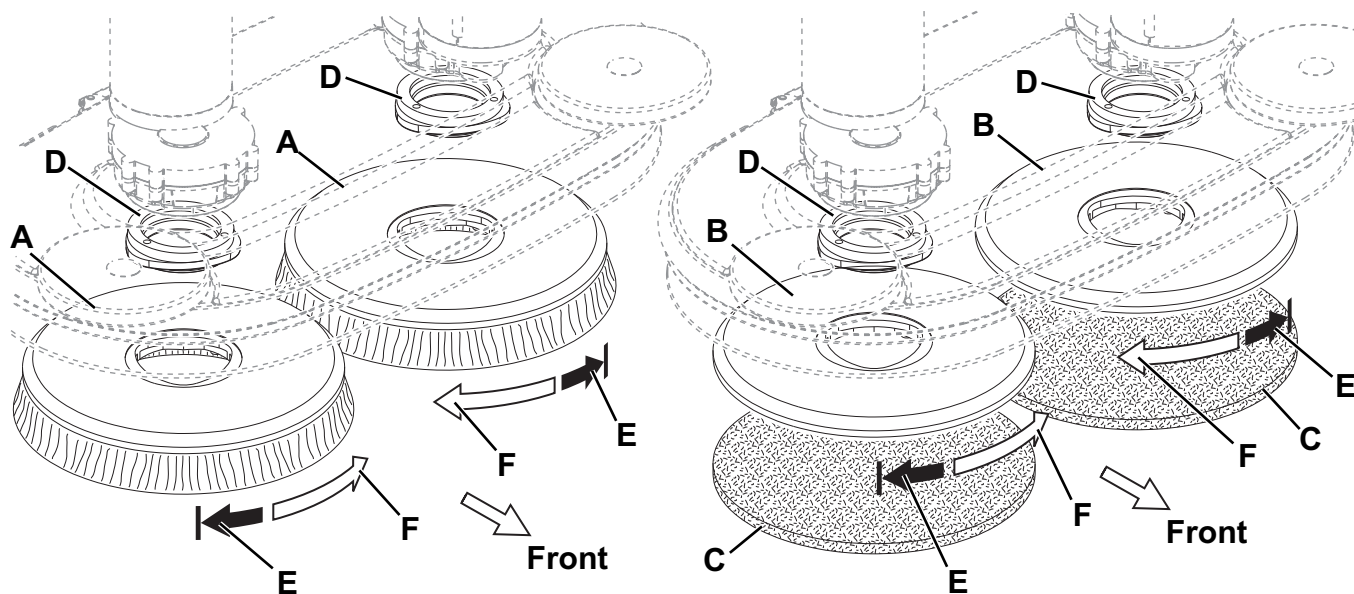


Figure 1

P100362

## Suggestions pour le choix des brosses

Modèles	MIDLITE GRIT 180	MIDGRIT 240	PROLENE	PROLITE	UNION MIX
Nettoyage général :					
Béton					
Pavage terrasse					
Carreaux de céramique / de carrière					
Marbre					
Carreaux de vinyle					
Carreaux de caoutchouc					
Polissage :					
Carreaux de caoutchouc					
Marbre					
Carreaux de vinyle					

## Installation / dépose des brosses cylindriques

(Pour SC3000 28" Cyl.)

1. Introduire la clé de contact de la machine (58) et la tourner en position "I".

**ATTENTION !**

*Avant d'actionner l'interrupteur (67), contrôler qu'il n'y a pas de corps étrangers entre la tête (28) et la machine qui peuvent faire barrage au soulèvement de la tête.*

2. Soulever la tête en appuyant sur l'interrupteur (67).
3. Positionner la clé de contact (58) sur "0" et l'enlever.
4. Sur les deux côtés de la machine, desserrer les pommeaux (A, Fig. 2) et enlever les groupes volets latéraux (B).
5. Dévisser les pommeaux (C) et déposer les portillons (D) en poussant les pommeaux vers le bas.
6. Installer les brosse cylindriques (E) ou enlever les brosses pour installer les brosses nouvelles.  
Les brosses cylindriques doivent être installées soit d'un côté soit de l'autre.
7. Installer les portillons (D) et les fixer avec les pommeaux (C).
8. Monter les groupes volets latéraux (B) et les fixer avec les pommeaux (A).

**ATTENTION !**

*L'utilisation de la machine qui n'est pas installée parfaitement peut provoquer des lésions aux personnes et endommager les équipements. Vérifier toujours que tous les composants ont été installés avant de mettre la machine en service. Inspecter la machine avec soin avant de l'utiliser.*

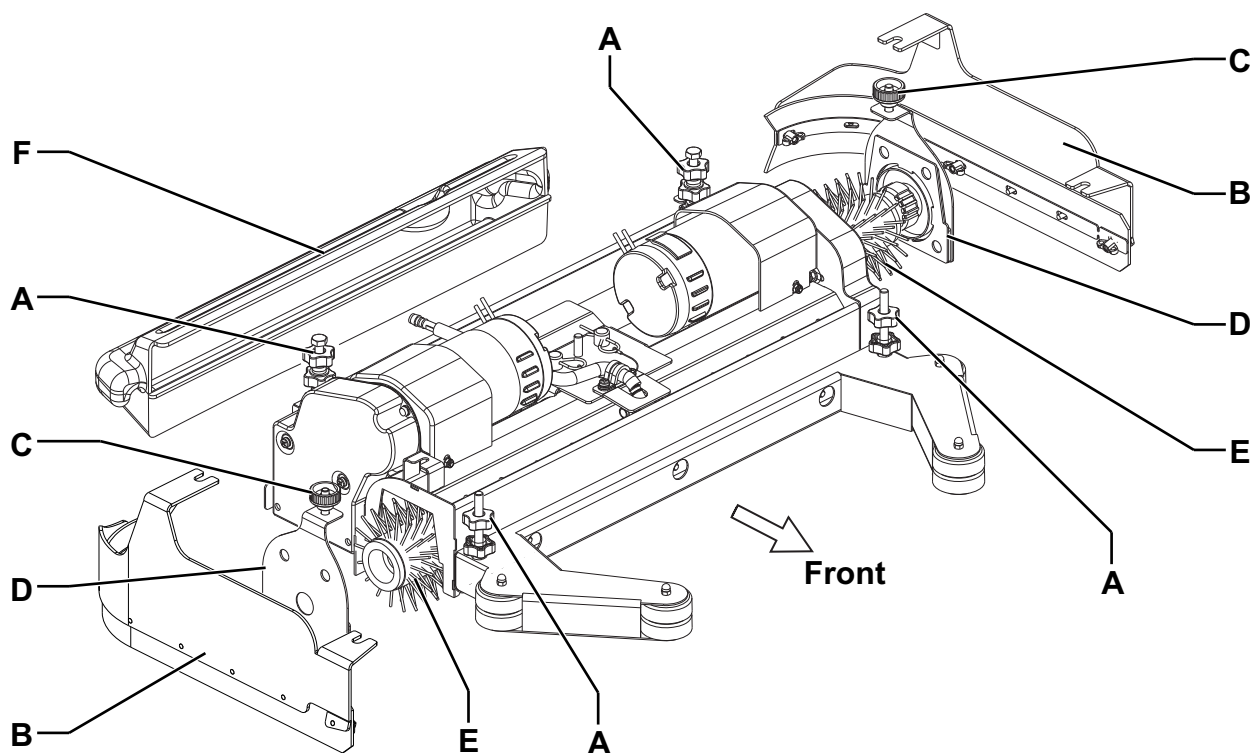


Figure 2

P100363

### Suggestions pour le choix des brosses cylindriques

Modèles	MAGNA GRIT 46	DYNA GRIT 80	MIDLITE GRIT 180	PROLENE	PROLITE	UNION MIX
Nettoyage général :						
Béton						
Pavage terrasse						
Carreaux de céramique / de carrière						
Marbre						
Carreaux de vinyle						
Carreaux de caoutchouc						

### Installation de l'embouchure

1. Installer l'embouchure (30) et la fixer avec les boutons (34), puis connecter le tuyau d'aspiration (31) à l'embouchure.
2. Au moyen du bouton (35) régler l'embouchure de façon que les lamelles en caoutchouc (18) touchent le sol sur toute leur longueur et que la lamelle en caoutchouc avant se trouve légèrement détachée du sol.

### Remplissage du réservoir de solution / de l'eau propre



#### REMARQUE

*Si la machine est équipée avec le système EcoFlex™, verser de l'eau propre ou de la solution dans le réservoir.*



#### AVERTISSEMENT !

**Utiliser exclusivement des détergents liquides peu mousseux et non inflammables, adéquats aux machines utilisées.**



#### ATTENTION !

**Pendant l'utilisation de détergents pour le nettoyage des sols, suivre toujours les instructions et les avertissements indiqués sur les étiquettes des flacons.**

**Avant la manipulation de détergents pour le nettoyage des sols, mettre les gants et les vêtements de protection adéquats.**

1. Ouvrir le bouchon (23).
2. **(Pour machines sans système EcoFlex™)**  
Au moyen du tuyau extractible, remplir le réservoir (22) avec une solution adéquate au travail à effectuer. Ne jamais remplir complètement le réservoir (22), mais laisser toujours quelques centimètres du bord du bouchon (23). Suivre toujours les instructions de dilution sur l'étiquette du conteneur du produit chimique utilisé pour la solution. La température de la solution ne doit jamais être supérieure à 40 °C.
- (Pour machines avec système EcoFlex™)**  
Au moyen du tuyau extractible, remplir le réservoir (22) avec de l'eau propre. Ne jamais remplir complètement le réservoir (22), mais laisser toujours quelques centimètres du bord du bouchon (23). La température de l'eau ne doit jamais être supérieure à 40 °C.

### Remplissage du réservoir du détergent

(Pour machines avec système EcoFlex™)

1. Ouvrir le couvercle (20) et contrôler si le réservoir de l'eau de récupération (19) est vide. Dans le cas contraire, le vider au moyen du tuyau de vidange (23).
2. Fermer le couvercle (20).
3. Soulever le groupe réservoirs (44) avec soin.
4. Ouvrir le bouchon du réservoir du détergent (42).
5. Remplir le réservoir avec un détergent adéquat au travail à effectuer (détergent à haute concentration). Ne jamais remplir complètement le réservoir du détergent, mais laisser toujours quelques centimètres du bord.



#### REMARQUE

*Si le tuyau du réservoir du détergent est vide (en cas d'un système nouveau, d'un système vidé pour effectuer le nettoyage, etc.), pour accélérer le remplissage du tuyau, il peut être convenable d'effectuer un ou plusieurs cycles de vidange du système EcoFlex™ (voir la procédure au chapitre Entretien).*

### Réglage de la position de conduite

1. Régler la hauteur du volant (1) au moyen du levier (2) et la hauteur de l'appui talon (5) dans la position la plus confortable pour l'opérateur.

## MISE EN MARCHÉ ET ARRÊT DE LA MACHINE

### Mise en marche de la machine

1. Préparer la machine comme indiqué au paragraphe précédent.
2. Positionner la clé de contact (58) sur "I" sans appuyer sur la pédale de marche (4). Contrôler si le DEL vert de l'indicateur de l'état de charge de la batterie (62) est allumé.  
Dans le cas où le témoin lumineux jaune ou rouge s'allume, repositionner la clé de contact (58) sur "0" et charger les batteries (voir la procédure au chapitre Entretien).
3. Se porter sur le lieu de travail, en démarrant la machine les mains sur le volant et en appuyant sur la pédale (4).  
La vitesse d'avance est réglable de 0 à la valeur maximum, selon la pression exercée sur la pédale (4).
4. La marche avant / marche arrière est sélectionnée au moyen du levier correspondant (51) qui se trouve à droit du volant.



#### REMARQUE

*Le siège (17) est équipé d'un capteur de sécurité qui ne permet le mouvement de la machine, à l'aide de la pédale (4), que lorsque l'opérateur est assis.*



#### REMARQUE

*La machine est équipée d'un système de sécurité anti-dérapiage [DEL (72) clignotant] qui, si besoin est, réduit la vitesse lors des braquages et en cas de dérapage latéral de la machine, indépendamment de la pression exercée sur la pédale. Cette réduction de la vitesse ne constitue pas un mauvais fonctionnement mais une caractéristique qui augmente la stabilité et la sécurité de la machine en toute condition.*

5. Baisser la tête porte-brosses / plateaux support disque et l'embouchure en appuyant sur l'interrupteur (67).
6. Porter les interrupteurs de réglage du flux de la solution (59 et 60) dans la position considérée la plus adéquate en fonction du type de nettoyage à effectuer.
7. Commencer le travail de nettoyage en manœuvrant le volant (1) et en appuyant sur la pédale (4) pour faire avancer la machine.



#### REMARQUE

*La machine est équipée d'un système de sécurité qui démarre la rotation des brosses et le système d'aspiration seulement si la machine est en marche.*

### Arrêt de la machine

8. Relâcher la pédale (4).  
Il n'est pas nécessaire de bloquer la machine pendant l'arrêt ou le stationnement, puisque le frein électromagnétique sur la roue freine automatiquement la machine quand la pédale de marche n'est pas activée.
9. Soulever la tête porte-brosses / plateaux support disque et l'embouchure en appuyant sur l'interrupteur (67).

**MACHINE AU TRAVAIL (LAVAGE / SECHAGE)**

1. Mettre la machine en marche comme prévu au paragraphe précédent.
2. Si besoin est, modifier la quantité de solution distribuée aux brosses, en appuyant sur les interrupteurs (59 et 60).
3. Si besoin est, pour réduire au minimum le bruit, activer la fonction de mode silencieux en appuyant sur le bouton-poussoir (55).

**REMARQUE**

*On conseille d'utiliser le mode silencieux seulement sur les sols lisses et sans joints de dalles.*

**REMARQUE**

*Pour un lavage / séchage correct des sols près des murs, Advance conseille de s'approcher au murs avec le côté droit de la machine, comme indiqué dans la figure 3.*

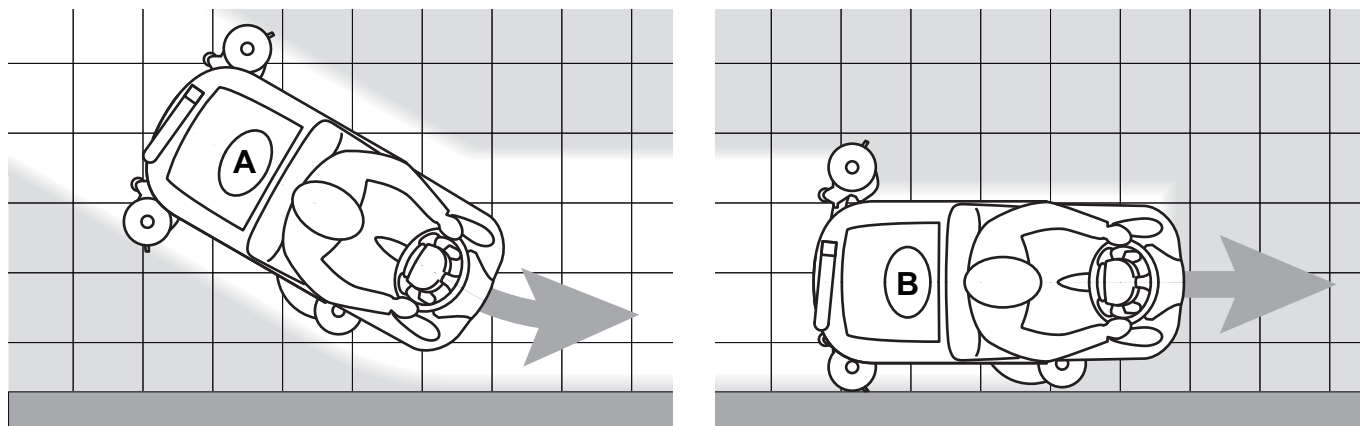


Figure 3

P100364

**Réglage de l'embouchure**

4. Le cas échéant, arrêter la machine et tourner à nouveau le bouton de réglage de l'équilibrage de l'embouchure (35) pour que la lamelle en caoutchouc arrière touche le sol sur toute sa longueur.

**Réglage de la concentration de détergent dans la solution**

(Pour machines avec système EcoFlex™)

Le système pour le mélange du détergent à l'eau de lavage est activé en appuyant sur le bouton-poussoir de réglage du pourcentage de détergent (A, Fig. 4) : si le DEL (B) est allumé, le détergent est ajouté à l'eau de lavage.

L'afficheur (C) indique le niveau de concentration de détergent dans la solution comme indiqué dans le tableau dans la figure 5.

**REMARQUE**

*La concentration de détergent dans la solution fournie par le système correspond toujours au niveau 1. Pour obtenir temporairement une concentration plus élevée, appuyer sur le bouton-poussoir EcoFlex™ ou désactiver le système EcoFlex™ (voir le paragraphe spécifique).*

**Fonction EcoFlex™**

Soulever le levier EcoFlex™ (D, Fig. 4) chaque fois que l'on nécessite temporairement d'une plus grande puissance de lavage. En soulevant le levier (D) [DEL (E) clignotant], le flux de solution augmente, la fonction d'extra-pression des brosses / plateaux support disque est activée et la concentration de détergent dans la solution augmente (ce dernier seulement pour machines avec le système EcoFlex™) ; en outre, si la fonction de mélange détergent est désactivée, elle est automatiquement activée. En soulevant à nouveau le levier (D), les réglages initiaux sont rétablis [DEL (E) allumé].

**REMARQUE**

*Dans le cas où on ne soulève pas le levier (D) pour la deuxième fois, les réglages initiaux sont rétablis automatiquement après 60 secondes.*

Pour modifier le pourcentage actuel de détergent, procéder comme suit :

1. Désactiver le bouton-poussoir de réglage du pourcentage de détergent (A) [le DEL (B) doit être éteint].
2. Appuyer et maintenir appuyé le bouton-poussoir de réglage du pourcentage de détergent (A) jusqu'à ce que le DEL (B) clignote.
3. Relâcher le bouton-poussoir (A). Appuyer à nouveau rapidement sur le bouton-poussoir pour passer au niveau successif indiqué par l'afficheur (C) comme le montre le tableau dans la figure 4 ; répéter la procédure jusqu'à atteindre le niveau désiré.
4. Attendre jusqu'à ce que le DEL (B) arrête de clignoter : la configuration du nouveau niveau est terminée.

**REMARQUE**

*La configuration du pourcentage de détergent reste mémorisée même après l'arrêt de la machine.*

**Désactivation du système EcoFlex™**

(Pour machines avec système EcoFlex™)

Pour désactiver temporairement le système, soulever le levier EcoFlex™ (D, Fig. 4) et le maintenir soulevé pour 2 secondes. Cette procédure terminée, [DEL (D) éteint], le niveau de concentration de détergent est conforme au niveau configuré. Pour activer à nouveau le système, soulever le levier EcoFlex™ (D).

Pour désactiver définitivement le système EcoFlex™, procéder comme suit:

1. Arrêter le moteur en tournant la clé de contact (58) en position "0".
2. Soulever le levier (D) et le maintenir soulevé, puis tourner la clé de contact (58) en position "I".
3. Relâcher le levier (D) après 8 secondes minimum du démarrage de la machine.

Cette procédure terminée, le levier EcoFlex™ n'est plus active [DEL (E) éteint] et le niveau de concentration de détergent est conforme au niveau configuré.

Pour activer à nouveau le système, répéter les étapes de 1 à 3.

**REMARQUE**

La désactivation du système EcoFlex™ reste mémorisée même après l'arrêt de la machine.

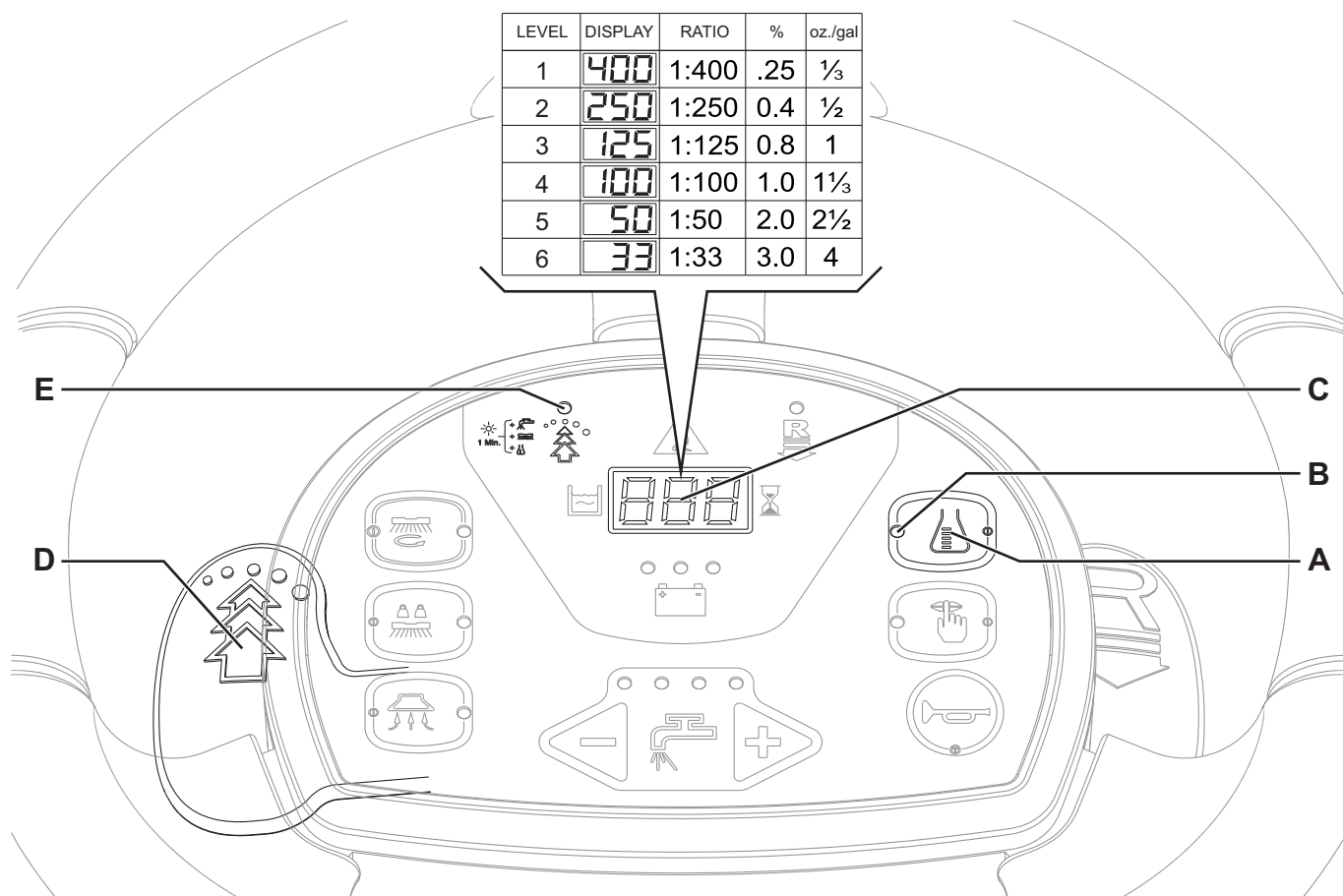


Figure 4

P100365A

**Travail avec la fonction d'extra-pression des brosses / plateaux support disque (uniquement pour SC3000 26" Disc)**

1. En cas de sol particulièrement sale, il est possible de travailler avec une extra-pression des brosses / plateaux support disque sur le sol, en appuyant sur l'interrupteur (65).
2. Pour retourner au travail avec pression normale, appuyer à nouveau sur l'interrupteur (65).  
L'interrupteur (65) est activé seulement lorsque la tête (10) est baissée et le DEL (68) de l'interrupteur (67) est allumé.

**AVERTISSEMENT !**

*En cas de surcharge des moteurs des brosses / plateaux support disque, due à des corps étrangers qui empêchent leur mouvement, ou à sols difficiles / brosses dures, un système de sécurité arrête les brosses après un minute environ de surcharge continue.*

*La condition de surcharge est indiquée par le clignotement simultané des trois DELS de charge de la batterie (62).*

*Si la surcharge se vérifie pendant le travail avec la fonction d'extra-pression activée, le système soulage automatiquement la pression sur les brosses / plateaux support disque en désactivant la fonction d'extra-pression. Si la surcharge persiste, les brosses / plateaux support disque s'arrêtent.*

*Pour reprendre le travail après l'arrêt des brosses / plateaux support disque à cause de la surcharge, il est nécessaire d'arrêter la machine, en tournant la clé de contact (58) sur "0". Démarrer à nouveau la machine en tournant la clé de contact (58) sur "I".*

**Déchargement des batteries pendant le travail**

1. Tant que le DEL vert (62) de charge des batteries reste allumé, les batteries permettent le fonctionnement normal de la machine.  
Lorsque le DEL vert s'éteint et les DELS jaune et rouge s'allument en séquence, il faut charger les batteries.
  - Lorsque le DEL jaune s'allume, il ne restent que quelques minutes d'autonomie (variables en fonction des caractéristiques de la batterie utilisée).
  - Lorsque le DEL rouge s'allume, l'autonomie est épuisée : après quelques secondes les brosses/plateaux support disque s'arrêtent automatiquement et la tête se soulève. Seulement le système d'aspiration et le système de traction de la machine restent en fonction, pour permettre d'essuyer des endroits éventuels de sol mouillé et d'amener la machine dans le lieu de rechargement.

**AVERTISSEMENT !**

*Ne pas insister à utiliser la machine avec batteries déchargées, pour ne pas endommager les batteries en réduisant leur vie utile.*

**REMARQUE**

*Au cas où il ne serait plus possible d'utiliser le système de traction de la machine pour son déplacement, consulter le paragraphe Mouvement de la machine par poussée / remorquage.*

**VIDANGE DES RESERVOIRS**

Un système de fermeture automatique à flotteur (27) bloque le système d'aspiration lorsque le réservoir de l'eau de récupération (19) est plein.

Le blocage du système d'aspiration peut être détecté grâce à l'augmentation soudaine de la fréquence du bruit du moteur d'aspiration ; en outre, le système d'aspiration ne sèche pas le sol.

**AVERTISSEMENT !**

*Si le système d'aspiration s'arrête pour causes accidentelles (par exemple pour l'intervention prématurée du flotteur pendant un déplacement soudain de la machine), pour le démarrer, arrêter le système en appuyant sur l'interrupteur (63), puis ouvrir le couvercle (20) et vérifier que le flotteur dans la grille (27) est au niveau de l'eau ; enfin, fermer le couvercle (20) et appuyer sur l'interrupteur (63).*

Lorsque le réservoir de l'eau de récupération (19) est plein, le vider en procédant comme suit.

**Vidange du réservoir de l'eau de récupération**

1. Arrêter la machine, en relâchant la pédale (4).
2. Soulever la tête porte-brosses / plateaux support disque et l'embouchure en appuyant sur l'interrupteur (67).
3. Porter la machine dans la zone destinée à l'écoulement.
4. Vider le réservoir de l'eau de récupération au moyen du tuyau (24).
5. Extraire le conteneur déchets avec la grille correspondante (26), la vider et la nettoyer à l'eau propre. Le monter à nouveau sur le tuyau d'aspiration dans le réservoir.
6. Le travail effectué, rincer le réservoir à l'eau propre.



**Vidange du réservoir de solution / de l'eau propre**

7. Exécuter les étapes de 1 à 3.
8. Prendre l'adaptateur (45) positionné dans son logement dans le logement batteries.
9. Monter l'adaptateur (A, Fig. 5) dans le tuyau d'aspiration (B) de l'embouchure, puis l'insérer dans le robinet de décharge (C).
10. Positionner la clé de contact (58) sur "I" et démarrer le système d'aspiration au moyen de l'interrupteur (63).
11. Ouvrir le robinet de décharge (C) pour permettre la vidange du réservoir (22).  
Le robinet (C) est ouvert quand il se trouve dans la position (D) par rapport au robinet ; il est fermé quand il se trouve dans la position (E).
12. La procédure terminée, arrêter le système d'aspiration et vider le réservoir de l'eau de récupération (19) avec le tuyau (24).
13. Le travail terminé, fermer le robinet de décharge (C), démonter l'adaptateur (A) et monter à nouveau le tuyau d'aspiration (B) sur l'embouchure (30).

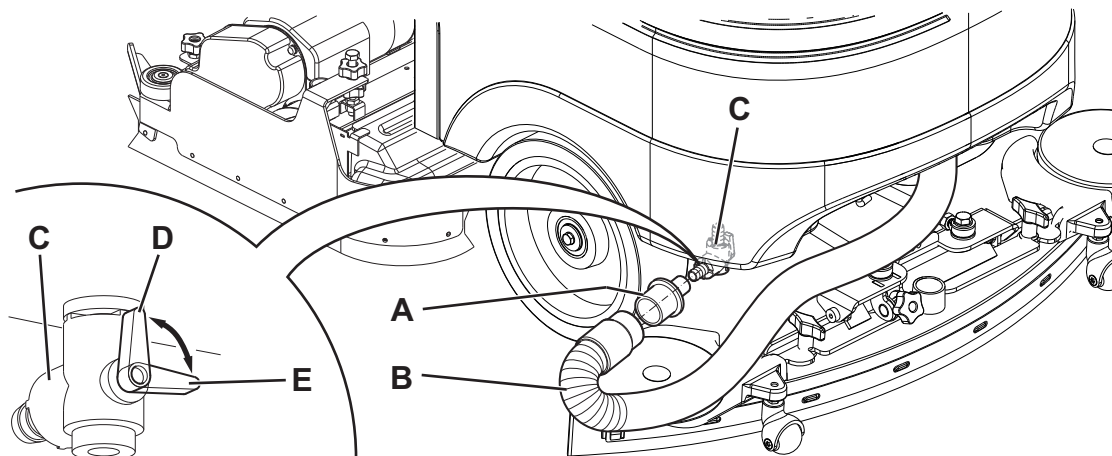


Figure 5

P100366

**Vidange du conteneur déchets des brosses cylindriques (seulement pour tête porte-brosses cylindriques)**

14. Arrêter la machine.
15. Avec la tête porte-brosses cylindriques baissée, déposer le conteneur déchets (F, Fig. 2).
16. Vider et laver le conteneur (F), puis l'installer à nouveau sur la base d'appui correspondante.

**APRES L'UTILISATION DE LA MACHINE**

Le travail effectué, avant de laisser la machine :

1. Déposer les brosses / plateaux support disque en procédant comme indiqué au paragraphe spécifique.
2. Vider les réservoirs (19 et 22) comme indiqué au paragraphe spécifique.
3. Enlever l'embouchure (30) et le laver à l'eau chaude. Ouvrir le couvercle du réservoir de récupération (20) et attacher l'embouchure au réservoir au moyen du crochet (15) prévu à cet effet.
4. Effectuer les opérations d'entretien prévues après l'utilisation de la machine (voir le chapitre Entretien).
5. Garder la machine dans un endroit sec et propre, avec les brosses/plateaux support disque et l'embouchure déposés ou soulevés.

**MOUVEMENT PAR POUSSEE/REMORQUAGE DE LA MACHINE**

Lorsque il n'est plus possible d'utiliser le système de traction (par exemple pour manque de batteries, batteries excessivement déchargées, etc.), pour déplacer aisément la machine par poussée / remorquage, il est nécessaire de débloquer le frein électromagnétique en tirant le levier (7) et en l'arrêtant au moyen d'un écarteur.

Après avoir déplacé la machine, enlever l'écarteur sous le levier (7) pour activer à nouveau le frein électromagnétique.

**ATTENTION !**

**Après avoir déplacé la machine par poussée / remorquage, si le levier (7) n'est pas libéré, le frein électromagnétique de la machine n'est pas activé.**

**ATTENTION !**

**Ne jamais démarrer la machine avec le levier (7) dans la position de frein électromagnétique débloqué. Pour plus de sécurité, il est conseillé de débloquer le frein électromagnétique seulement pour le temps strictement nécessaire pour déplacer manuellement la machine.**

**INACTIVITE PROLONGEE DE LA MACHINE**

1. Si l'on prévoit de ne pas utiliser la machine pendant plus de 30 jours, il est convenable de :
2. Effectuer les opérations prévues au paragraphe Après l'utilisation de la machine.
3. Avant de débrancher le connecteur rouge (9) de la batterie, procéder comme suit :
  - Ouvrir le couvercle (20), le bouchon (23) et contrôler si les réservoirs (19 et 22) sont vides ; dans le cas contraire, les vider.
  - Tenir le groupe réservoir de l'eau de récupération (19) soulevé au moyen du pied de support (25).

## PREMIERE PERIODE D'UTILISATION

Après les 8 premières heures d'utilisation, contrôler le serrage des éléments de fixation et de connexion de la machine. Vérifier que les parties visibles sont intactes et sans pertes.

## ENTRETIEN

La durée de vie de la machine et sa sécurité de fonctionnement sont garanties par un entretien soigné et régulier. Veuillez trouver ci-dessous le plan récapitulatif d'entretien programmé. Les périodicités indiquées peuvent subir des variations en fonction de conditions de travail particulières, à définir par le responsable de l'entretien.



### ATTENTION !

**Les opérations doivent être effectuées avec la machine arrêtée et avec les batteries débranchées. En outre, lire attentivement toutes les instructions du paragraphe Sécurité.**

Toutes les opérations d'entretien programmé ou extraordinaire doivent être effectuées par du personnel qualifié ou par un Service après-vente autorisé.

Dans ce manuel, après le plan d'entretien programmé, seulement les procédures des opérations d'entretien les plus simples et les plus récurrentes sont indiquées.



### REMARQUE

Pour les procédures des autres opérations d'entretien prévues par le plan récapitulatif d'entretien programmé et extraordinaire, se référer au manuel d'entretien consultable auprès des Services après-vente.

## PLAN D'ENTRETIEN PROGRAMME

Procédure	Quotidienne, après l'utilisation de la machine	Hebdomadaire	Semestrielle	Annuelle
Chargement des batteries				
Nettoyage de l'embouchure				
Nettoyage des brosses / disques				
Nettoyage des réservoirs, de la grille des déchets, de la grille d'aspiration avec flotteur et contrôle du joint d'étanchéité du couvercle				
Nettoyage et vidange du système EcoFlex™				
Contrôle et remplacement des lamelles en caoutchouc de l'embouchure				
Contrôle des volets latéraux (uniquement pour 28" Cyl.)				
Nettoyage du filtre de la solution				
Nettoyage du filtre du moteur du système d'aspiration				
Contrôle du niveau du liquide des batteries (WET)				
Contrôle du serrage des vis et des écrous			(1)	
Contrôle et réglage des courroies de transmission des moteurs aux brosses cylindriques (uniquement pour 28" Cyl.)			(2)	
Contrôle de l'efficacité du frein électromagnétique			(2)	
Contrôle ou remplacement des charbons des moteurs de la brosse/plateau support disque				(2)
Contrôle ou remplacement des charbons du moteur du système d'aspiration				(2)
Contrôle ou remplacement des charbons du moteur du système de traction				(2)

(1) Et après les 8 premières heures de travail.

(2) Opération d'entretien de ressort d'un Service après vente agréé Advance.

## CONTROLE DES HEURES DE TRAVAIL DE LA MACHINE

- Introduire la clé de contact de la machine (58) et la tourner en position "1".
- Pendant les 2 premières secondes de fonctionnement de la machine, l'afficheur (71) visualise le numéro total des heures de travail (lavage / séchage) effectuées par la machine.  
Positionner la clé de contact (58) sur "0".

## NETTOYAGE DE L'EMBOUCHURE



### REMARQUE

Pour un bon séchage, l'embouchure doit être propre et les lamelles en caoutchouc doivent être en bon état.



### AVERTISSEMENT !

Lors du nettoyage de l'embouchure, il est conseillé de porter des gants de protection à cause de la présence éventuelle de débris tranchants.

1. Porter la machine sur un sol plat.
2. Introduire la clé de contact de la machine (58) et la tourner en position "I".
3. Baisser l'embouchure (30) en appuyant sur l'interrupteur (63).
4. Positionner la clé de contact (58) sur "0".
5. Déconnecter le tuyau d'aspiration (31) de l'embouchure.
6. Desserrer les boutons (34) et déposer l'embouchure (30).
7. Laver et nettoyer l'embouchure. Nettoyer en particulier les compartiments (A, Fig. 6) et l'orifice (B) de la saleté et des déchets. Contrôler si la lamelle en caoutchouc avant (C) et la lamelle en caoutchouc arrière (D) sont intactes et qu'elles ne présentent pas de coupures ou déchirures ; en cas contraire, les remplacer selon les instructions suivantes.
8. Pour la repose, procéder dans l'ordre inverse de la dépose.

## CONTROLE ET REMPLACEMENT DES LAMELLES EN CAOUTCHOUC DE L'EMBOUCHURE

1. Nettoyer l'embouchure (Fig. 6) comme décrit au paragraphe précédent.
  2. Contrôler que le bord (E) de la lamelle en caoutchouc avant (C) et le bord (F) de la lamelle en caoutchouc arrière (D) se posent simultanément sur le marbre de contrôle, et en toute leur longueur ; dans le cas contraire, régler leur hauteur en procédant selon les instructions suivantes :
    - Décrocher le tirant (G), décrocher le dispositif de retenue (M) et régler la lamelle en caoutchouc arrière (D), puis accrocher le dispositif de retenue et fixer avec le tirant.
    - Desserrer les boutons (I) et régler la lamelle en caoutchouc avant (C), puis serrer les boutons.
  3. Contrôler que la lamelle en caoutchouc avant (C) et la lamelle en caoutchouc arrière (D) sont intactes et qu'elles ne présentent pas de coupures ou déchirures ; en cas contraire, les remplacer en procédant comme suit. Contrôler que l'arête (J) de la lamelle en caoutchouc arrière n'est pas usée ; en cas contraire, tourner la lamelle en caoutchouc, en remplaçant l'arête usée avec l'une des trois arêtes intactes. Si toutes les arêtes sont usées, remplacer la lamelle en caoutchouc en procédant comme suit :
    - Dégager le tirant (G), décrocher du dispositif de retenue (M) et déposer la bande de retenue (K), puis remplacer / tourner la lamelle en caoutchouc arrière (D).
    - Pour la repose, procéder dans l'ordre inverse de la dépose.
    - Dévisser les boutons (I) et déposer la bande de retenue (L), puis remplacer la lamelle en caoutchouc avant (C).
    - Pour la repose, procéder dans l'ordre inverse de la dépose.
- Après le remplacement (ou renversement) des lamelles en caoutchouc, régler leur hauteur comme décrit à l'étape précédente.
4. Connecter le tuyau d'aspiration (31) à l'embouchure.
  5. Reposer l'embouchure (30) et serrer les boutons (34).
  6. Si besoin est, régler le bouton de réglage (35) de l'équilibrage de l'embouchure.

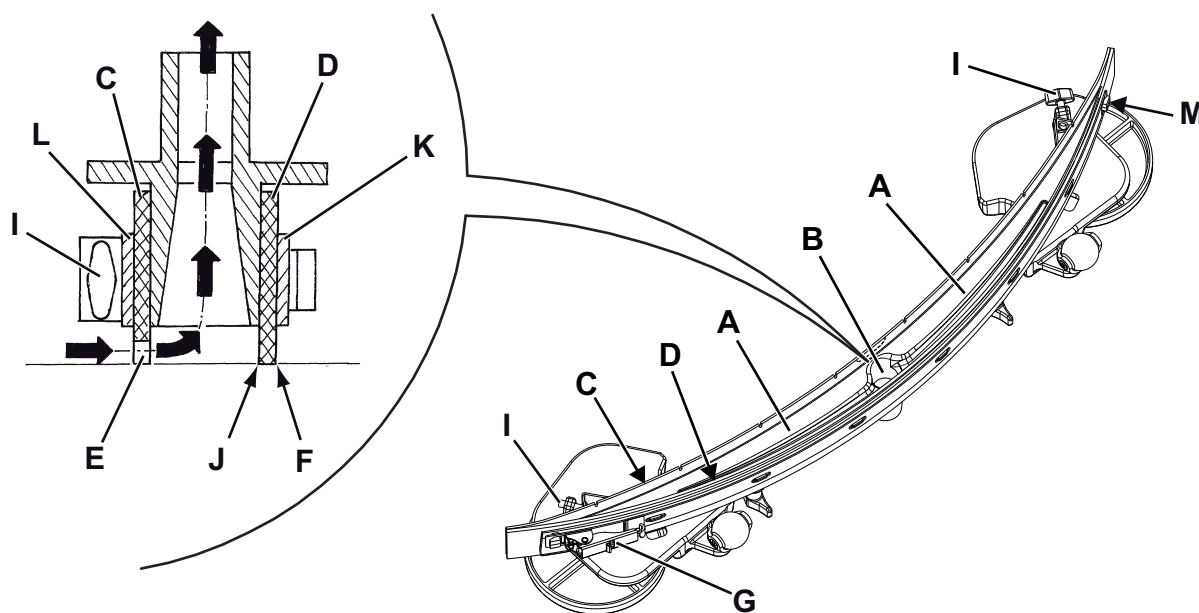


Figure 6

P100367

## NETTOYAGE DES BROSSES OU DES BROSSES CYLINDRIQUES

**AVERTISSEMENT !**

Lors du nettoyage des brosses, il est conseillé de porter des gants de protection à cause de la présence éventuelle de débris tranchants.

1. Déposer les brosses / disques de la machine comme prévu au chapitre Utilisation.
2. Nettoyer et laver les brosses avec de l'eau et du détergent.
3. Contrôler que les poils sont intacts et non excessivement usés ; dans le cas contraire, remplacer les brosses.

## NETTOYAGE DU RESERVOIR DE L'EAU DE RECUPERATION

1. Porter la machine dans la zone destinée à l'écoulement.
2. Positionner la clé de contact (58) sur "0".
3. Ouvrir le couvercle (20).
4. Nettoyer et laver à l'eau propre le couvercle (20) et le réservoir (19).  
Vider l'eau du réservoir avec le tuyau (24).
5. Nettoyer la grille d'aspiration (27), dégager les dispositifs de retenue (A, Fig. 7), ouvrir la grille (B), récupérer le flotteur (C) et nettoyer soigneusement ; enfin reposer en place.
6. Nettoyer le conteneur déchets avec la grille correspondante (26), démonter le conteneur (G), enlever le couvercle (H), puis nettoyer avec soin et installer à nouveau sur le tuyau d'aspiration.
7. Contrôler l'intégrité du joint d'étanchéité (D) du couvercle du réservoir.

**REMARQUE**

Le joint d'étanchéité (D) permet la création d'une dépression dans le réservoir, nécessaire à l'aspiration de l'eau de récupération.

Si besoin est, déposer le joint d'étanchéité (D) de son logement (E) et le remplacer. Lors de la repose du nouveau joint d'étanchéité, positionner le raccord (F) dans la zone inférieure indiquée dans la figure.

7. Contrôler aussi l'intégrité, l'efficacité et la propreté de la surface d'appui (I) du joint d'étanchéité (D).
8. Fermer le couvercle (20).

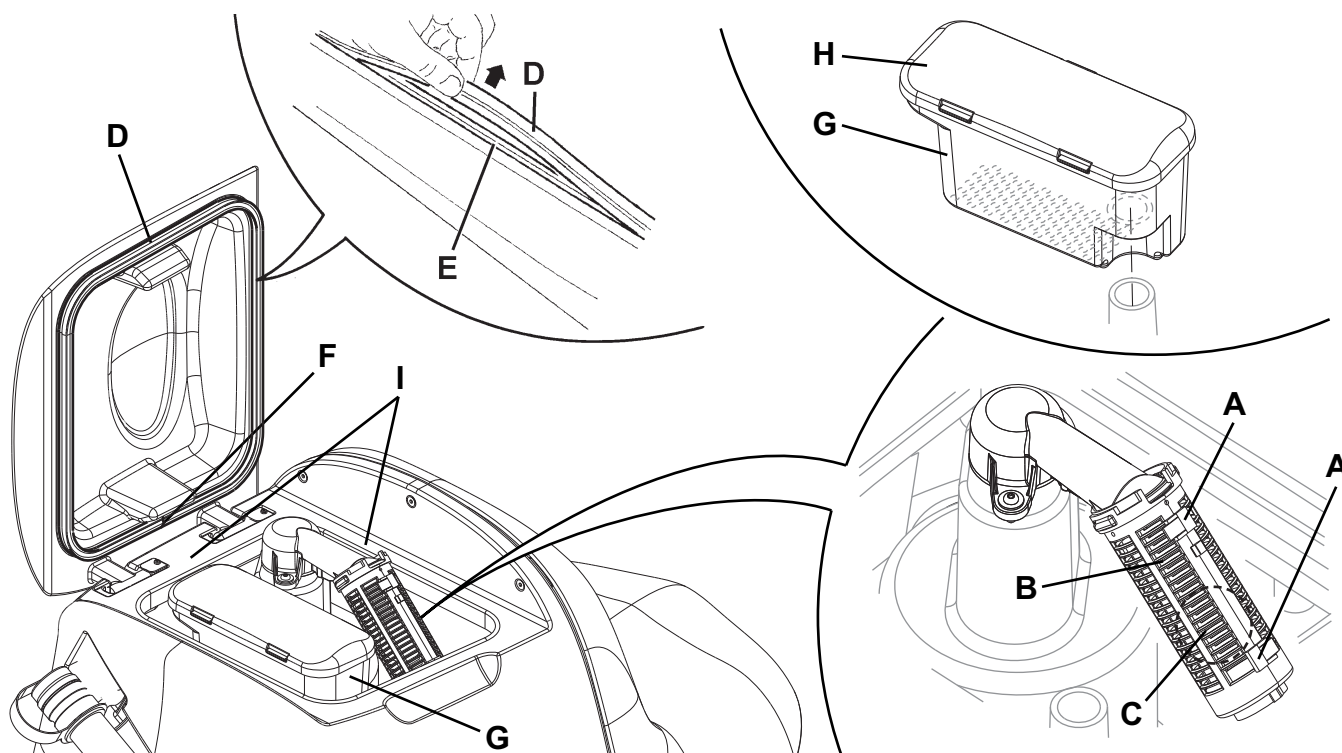


Figure 8

P100368

## CONTRÔLE ET REMPLACEMENT DES VOILETS LATÉRAUX (uniquement pour 28" Cyl.)

### Contrôle

1. Porter la machine sur un sol plat.
2. Positionner la clé de contact (58) sur "0".
3. Sur les deux côtés de la machine, desserrer le pommeau (A, Fig. 8) et enlever les groupes volets latéraux (B).
4. Laver et nettoyer les volets.
5. Contrôler si le bord inférieur (C) des volets :
  - se pose simultanément sur le sol, et en toute sa longueur ;
  - est intact et ne présente pas de coupures ou de lacérations ;
  - a l'arête intérieure (D) non usée ;
 dans le cas contraire tourner ou remplacer les volets en procédant comme suit.

### Rotation ou remplacement

6. Enlever les écrous papillons (E), puis enlever la bande de retenue (F).
7. Déposer la lamelle en caoutchouc (G) du volet et, si possible, la tourner en remplaçant l'arête intérieure (D) avec l'une des trois arêtes intactes. Si toutes les arêtes sont usées, remplacer la lamelle en caoutchouc.

### Repose et réglage de la hauteur

8. Monter les lamelles en caoutchouc (G) et le groupe volet (B) en procédant dans l'ordre inverse de la dépose.
9. Démarrer la machine et baisser la tête porte-brosses cylindriques (28), puis contrôler si les lamelles en caoutchouc (G) des volets latéraux :
  - se posent légèrement sur le plan ;
  - recueillent la solution de lavage.
10. Si besoin est, arrêter la machine et régler la hauteur des volets en desserrant le pommeau (A) et en tournant les pommeaux (H).
11. Le réglage effectué, serrer le pommeau (A).

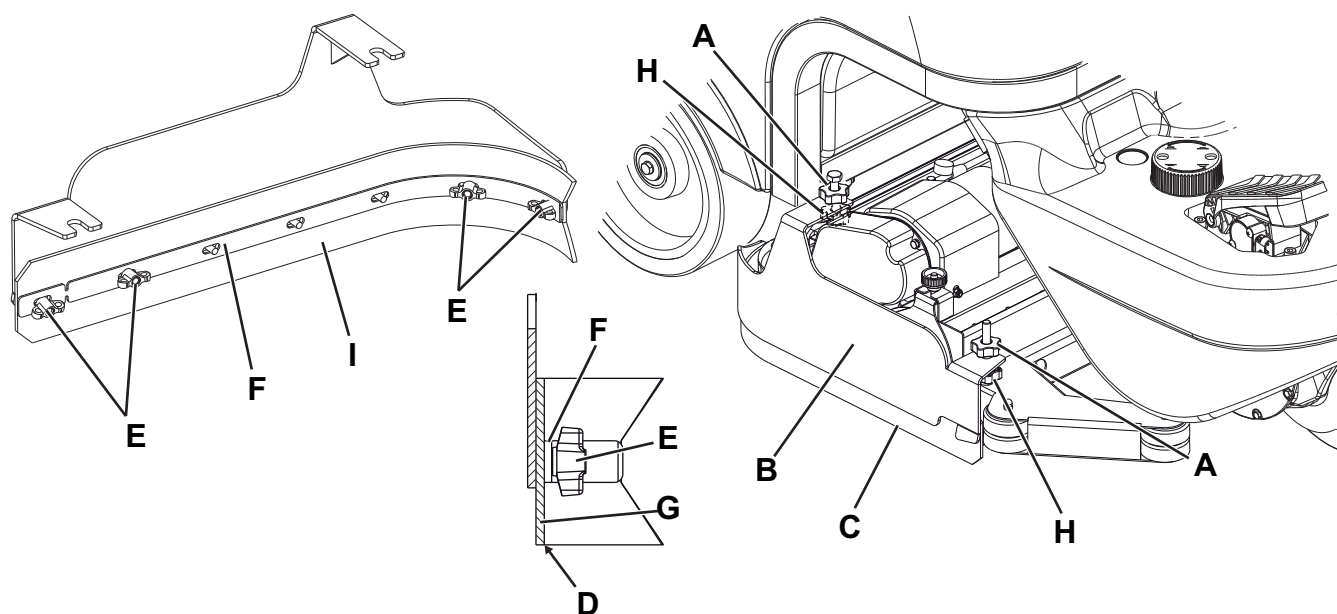


Figure 8

P100369

**NETTOYAGE DU FILTRE DU MOTEUR DU SYSTEME D'ASPIRATION**

1. Porter la machine sur un sol plat.
2. Positionner la clé de contact (58) sur "0".
3. Ouvrir le couvercle (20) et contrôler si le réservoir de l'eau de récupération (19) est vide. Dans le cas contraire, le vider au moyen du tuyau de vidange (24).
4. Fermer le couvercle (20).
5. Soulever le groupe réservoirs (44) avec soin.
6. Contrôler que le filtre (37) est propre. Si besoin est, le nettoyer à l'eau et à l'air comprimé, puis l'installer à nouveau.

**NETTOYAGE DU FILTRE DE LA SOLUTION**

1. Porter la machine sur un sol plat.
2. Positionner la clé de contact (58) sur "0".
3. Fermer le robinet (A, Fig. 9) de la solution situé dessous la machine, derrière la roue arrière droite. Le robinet (A) est fermé quand il se trouve dans la position (B) par rapport au robinet et il est ouvert quand il se trouve dans la position (C).
4. Enlever le petit glas transparent (D), récupérer le joint (E), puis enlever le filet filtrant (F) sous la machine, devant la roue arrière droite. Les nettoyer à l'eau et les reposer dans le support (G).

**REMARQUE**

Positionner correctement le filet filtrant (F) dans le logement du support (G).

5. Ouvrir le robinet (A).

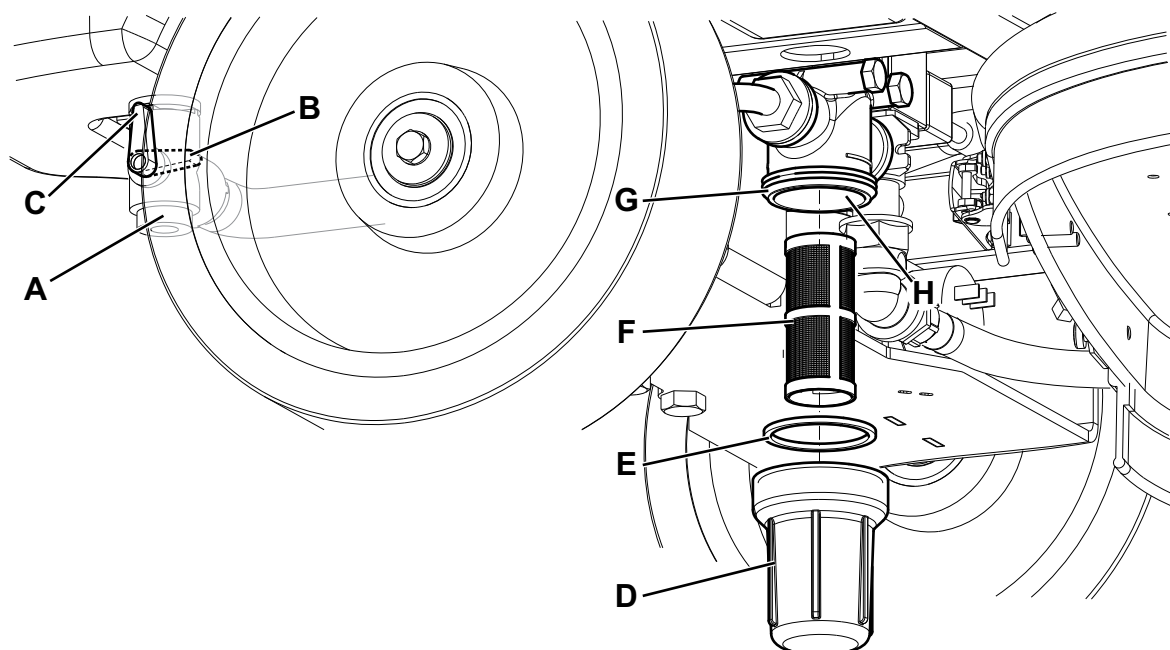


Figure 9

P100370

## CHARGEMENT DES BATTERIES

**REMARQUE**

Charger les batteries lorsque le DEL jaune ou rouge de l'indicateur de l'état de charge des batteries (62) s'allume, ou à la fin du travail.

**AVERTISSEMENT !**

Garder les batteries chargées afin de prolonger leur vie utile.

**AVERTISSEMENT !**

Lorsque les batteries sont déchargées, les recharger dès que possible, afin de ne pas réduire leur durée de vie utile.

Contrôler la charge des batteries au moins une fois par semaine.

**ATTENTION !**

Le chargement de batteries produit un gaz hydrogène très explosif. Charger les batteries dans un endroit bien aéré et loin de flammes libres.

Ne pas fumer pendant le chargement des batteries.

Garder le groupe réservoir ouvert ou soulevé au moyen du pied de support (25) pendant tout le cycle de rechargement des batteries.

**ATTENTION !**

Pendant le rechargement des batteries, faire attention à d'éventuelles pertes de liquide des batteries. Ce liquide est corrosif. En cas de contact avec les yeux ou la peau, rincer abondamment à l'eau et consulter un médecin.

### Opérations préalables

1. Porter la machine sur un sol plat.
2. Ouvrir le couvercle (20) et contrôler si le réservoir (19) est vide ; dans le cas contraire, le vider au moyen du tuyau de vidange (24).
3. Fermer le couvercle (20).
4. Soulever le groupe réservoirs (44) avec soin.
5. (Exclusivement pour batteries WET) Contrôler le niveau de l'électrolyte dans les batteries (39). Si besoin est, dévisser les bouchons (40) et remplir.  
Après l'ajout du niveau, fermer les bouchons (40) et, si besoin est, nettoyer la surface supérieure des batteries.

### Chargement des batteries

6. Brancher le câble (41) du chargeur de batterie au réseau électrique (la tension et la fréquence de réseau doivent coïncider avec les valeurs correspondantes du chargeur de batterie, indiquées sur la plaque avec numéro de série de la machine).

**REMARQUE**

Lorsque le chargeur de batterie est branché au réseau électrique, toutes les fonctions de la machine sont automatiquement exclues.

Le DEL de charge des batteries rouge (62) allumé fixe indique que le chargeur de batterie est en train de charger les batteries. Le DEL de charge des batteries jaune (62) allumé fixe indique que le chargeur de batterie est en train de compléter le chargement des batteries.

4. Lorsque le DEL vert s'allume, le cycle de chargement des batteries est terminé.
5. Le cycle de chargement terminé, débrancher le câble (41) du chargeur de batterie du réseau électrique et l'enrouler autour du logement correspondant derrière le chargeur de batterie.
6. Baisser le groupe réservoirs (44) avec soin.
7. La machine est prête à l'utilisation.

**REMARQUE**

Pour de plus amples informations relatives au fonctionnement du chargeur de batterie (16), consulter le manuel spécifique.



## NETTOYAGE DU RESERVOIR DU DETERGENT

(Pour machines avec système EcoFlex™)

Nettoyer le réservoir du détergent (42) en procédant comme suit :

1. Porter la machine dans la zone destinée à l'écoulement.
2. Ouvrir le couvercle (20) et vérifier que le réservoir de l'eau de récupération (19) soit vide. Dans le cas contraire, le vider au moyen du tuyau de vidange (24). Fermer le couvercle (20).
3. Soulever le groupe réservoirs (44) avec soin.
4. Dévisser le bouchon et déconnecter le tuyau (A, Fig. 10) du réservoir (B).
5. Retirer le réservoir.
6. Laver et nettoyer le réservoir dans la zone destinée à l'écoulement.
7. Reposer le réservoir (42) dans son logement comme indiqué dans la figure et le connecter au tuyau (A).
8. Après la vidange du réservoir du détergent, il pourrait être nécessaire de vidanger le système EcoFlex™ (voir la procédure au paragraphe suivant).

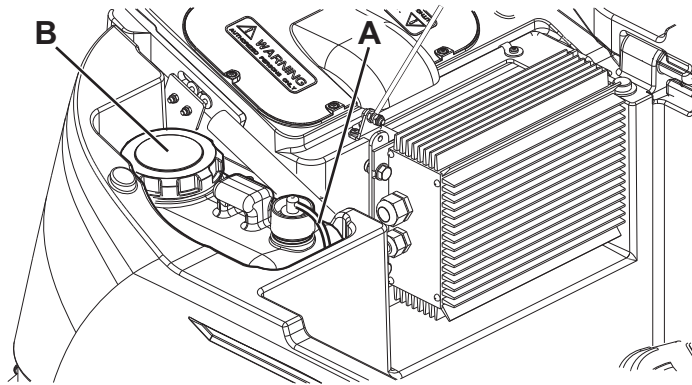


Figure 10

P100371

## VIDANGE SYSTEME ECOFLEX™

(Pour machines avec système EcoFlex™)

1. Nettoyer le réservoir du détergent en procédant comme indiqué au paragraphe précédent. Pour éliminer toute trace de détergent dans les tuyaux et dans la pompe du détergent, procéder comme suit.
2. Démarrer la machine en tournant la clé de contact (58) en position "I".
3. Appuyer sur le bouton-poussoir (53). Contrôler que le DEL (54) du bouton-poussoir s'allume.
4. Appuyer en même temps sur les boutons-poussoirs (53 et 59), jusqu'à ce que le DEL (54) commence à clignoter (après 5 secondes environ).
5. Relâcher les boutons-poussoirs et attendre jusqu'à ce que le DEL (54) arrête de clignoter et que le système d'aspiration soit activé.
6. Aspirer les traces de détergent sur le sol.
7. Positionner la clé de contact (58) sur "0".
8. Soulever le réservoir (19), puis contrôler que le tuyau du réservoir du détergent (42) soit vide ; dans le cas contraire, répéter les étapes de 3 à 7.



### REMARQUE

*Le cycle de purge, qui permet d'éliminer les traces de détergent, dure 30 secondes environ, ensuite la fonction d'aspiration s'enclenche automatiquement.*

*L'opération de vidange peut être effectuée même avec le réservoir du détergent (42) plein d'eau ; de cette façon on effectue un lavage à fond du système.*

*Il est convenable d'effectuer ce type de vidange lorsque le système EcoFlex™ est très sale / incrusté après de longues périodes d'inactivité / d'absence de nettoyage de la machine.*

*L'opération de vidange peut être effectuée aussi pour accélérer le remplissage du tuyau d'alimentation du détergent avec le réservoir (42) plein et le système encore vide.*

*L'opération de vidange, en cas de nécessité, peut être effectuée plusieurs fois de suite.*

## CONTROLE / REMPLACEMENT DES FUSIBLES



### REMARQUE

*Tous les circuits électriques de la machine sont protégés par des dispositifs électroniques à restaurer automatiquement. Les fusibles de sécurité agissent seulement en cas de pannes graves.*

*Par conséquent, on conseille de contacter le personnel qualifié pour l'éventuel remplacement des fusibles.*

*Se référer au manuel d'entretien consultable auprès des revendeurs Advance.*



## FONCTIONS DE SECURITE

La machine est équipée des fonctions de sécurité suivantes.

### BOUTON-POUSSOIR D'URGENCE

Il est placé dans une position (8) facilement accessible par l'opérateur. Il doit être appuyé avec force en cas de nécessité immédiate, pour arrêter toutes les fonctions de la machine.

Pour restaurer le fonctionnement de la machine, soulever le groupe réservoirs (44) et brancher à nouveau le connecteur (9) des batteries.

### SYSTEME DE SECURITE ANTI-DERAPAGE

Si besoin est, il réduit la vitesse lors des braquages et en cas de dérapage latéral de la machine à une valeur de sécurité, pour éviter toute dérapage soudain et augmenter la stabilité de la machine en toute condition.



### MICROINTERRUPTEUR DU SIEGE DE CONDUITE

Il est positionné à l'intérieur du siège de conduite et il ne permet pas le fonctionnement du système de traction de la machine si l'opérateur n'est pas assis sur son siège.

### FREIN ELECTROMAGNETIQUE

Il est intégré dans la roue avant et empêche le déplacement de la machine quand elle n'est pas démarrée et, de toute façon, lorsqu'elle est à l'arrêt.

## DEPISTAGE DES PANNES

PROBLEME	CAUSE POSSIBLE	SOLUTION
Les moteurs ne fonctionnent pas ; aucun DEL ne s'allume.	Le connecteur des batteries est débranché.	Connecter.
	Les batteries sont complètement déchargées.	Charger les batteries.
La machine ne bouge pas et l'afficheur (71) visualise le code d'erreur : 	La machine a été démarrée par la clé de contact en appuyant sur la pédale.	Relâcher la pédale de marche. Si le problème persiste, contacter un service après-vente agréé.
Lors de la mise en marche de la machine, le DEL (68) du bouton-poussoir (67) clignote et les brosses ne tournent pas.	La machine a été arrêtée sans soulever la tête porte-brosses.	Attendre le soulèvement de la tête avant d'actionner à nouveau les brosses avec le bouton-poussoir.
Les brosses ne tournent pas ; le DEL rouge clignote.	Les batteries sont déchargées.	Charger les batteries.
Les 3 DELS (62) clignotent simultanément.	Surcharge des moteurs des brosses.	Utiliser des brosses moins dures ou de type différent, ou ne pas travailler avec la fonction d'extra-pression activée.
	Présence de corps étrangers (fils entortillés, etc.) qui risquent de freiner la rotation des brosses.	Nettoyer les moyeux de brosses.
L'afficheur (71) visualise un code d'erreur du type suivant :  où "00" est remplacé par un code différent de "t4".	Condition d'alarme du système électronique de contrôle de la machine.	Arrêter et démarrer à nouveau la machine. Si le problème persiste, contacter un service après-vente agréé.
L'aspiration de l'eau sale est insuffisante.	Le réservoir de l'eau de récupération est plein.	Vider le réservoir.
	La grille d'aspiration est obstruée ou le flotteur est en position fermée.	Nettoyer la grille d'aspiration.
	Le conteneur déchets avec la grille correspondante est colmaté.	Nettoyer.
	Le tuyau flexible est déconnecté de l'embouchure	Connecter.
	L'embouchure est sale ou les lamelles en caoutchouc de l'embouchure sont usées ou endommagées.	Nettoyer l'embouchure ou tourner / remplacer les lamelles en caoutchouc.
	Le couvercle du réservoir n'est pas bien fermé ou le joint d'étanchéité est usé.	Fermer correctement le couvercle ou nettoyer / remplacer le joint.
Le débit de solution aux brosses est insuffisant.	Le réservoir de solution est vide.	Remplir.
	Le filtre de la solution est sale	Nettoyer le filtre.
	Réservoir système EcoFlex™ (optionnel) sale / incrusté.	Nettoyer avec le cycle de vidange.
L'embouchure laisse des traces au sol.	Débris sous les lamelles en caoutchouc de l'embouchure.	Enlever les débris.
	Les lamelles en caoutchouc de l'embouchure sont usées, ébréchées ou déchirées.	Tourner ou remplacer les lamelles en caoutchouc.
	L'embouchure n'a pas été équilibrée au moyen du volant de réglage.	Régler l'embouchure.



## REMARQUE

*La machine ne peut pas fonctionner sans le chargeur de batterie.  
En cas de panne du chargeur de batterie, s'adresser à un Service après-vente agréé.*

Pour de plus amples informations, contacter les Services après-vente Advance.

## MISE A LA FERRAILLE

Effectuer la mise à la ferraille de la machine auprès d'un démolisseur autorisé.

Avant d'effectuer la mise à la ferraille de la machine il est nécessaire de déposer et séparer les éléments suivants et les envoyer aux collectes sélectives, conformément aux normes d'hygiène de l'environnement en vigueur :

- Batteries
- Brosses
- Tuyaux et pièces en matériel plastique
- Parties électriques et électroniques (\*)

(\*) Notamment pour la mise en décharge des parties électriques et électroniques, s'adresser auprès du centre Advance le plus proche.

## ÍNDICE

<b>INTRODUCCIÓN.....</b>	<b>2</b>
FINALIDAD Y OBJETO DE ESTE MANUAL .....	2
DESTINATARIOS .....	2
CONSERVACIÓN DEL MANUAL .....	2
DATOS DE IDENTIFICACIÓN .....	2
OTROS MANUALES DE REFERENCIA .....	2
PIEZAS DE REPUESTO Y MANTENIMIENTO .....	2
MODIFICACIONES Y MEJORAS .....	2
CARACTERÍSTICAS DE FUNCIONAMIENTO .....	2
CONVENCIONES.....	2
<b>DESEMBALAJE/ENTREGA.....</b>	<b>3</b>
<b>SEGURIDAD .....</b>	<b>3</b>
SÍMBOLOS .....	3
INSTRUCCIONES GENERALES .....	4
<b>DESCRIPCIÓN DE LA MÁQUINA.....</b>	<b>6</b>
ESTRUCTURA DE LA MÁQUINA.....	6
VOLANTE CON PANEL DE CONTROL Y MANDOS .....	8
ACCESORIOS/OPCIONES .....	9
DATOS TÉCNICOS .....	9
ESQUEMA ELÉCTRICO .....	10
<b>USO.....</b>	<b>12</b>
CONTROL/PREPARACIÓN DE LAS BATERÍAS EN LA MÁQUINA NUEVA .....	12
INSTALACIÓN DE LAS BATERÍAS Y AJUSTE DEL TIPO DE BATERÍAS (WET O GEL/AGM).....	13
ANTES DE LA PUESTA EN MARCHA .....	14
PUESTA EN MARCHA Y PARADA DE LA MÁQUINA .....	17
MÁQUINA EN FUNCIÓN (LAVADO/SECAMIENTO).....	18
VACIADO DE LOS DEPÓSITOS.....	20
DESPUÉS DEL USO DE LA MÁQUINA .....	21
DESPLAZAMIENTO DE LA MÁQUINA MEDIANTE EMPUJE/REMOLQUE.....	21
PRIMER PERIODO DE USO .....	22
<b>MANTENIMIENTO .....</b>	<b>22</b>
ESQUEMA DE MANTENIMIENTO PROGRAMADO.....	22
CONTROL DE LAS HORAS DE TRABAJO DE LA MÁQUINA .....	22
LIMPIEZA DE LA BOQUILLA.....	23
CONTROL Y SUSTITUCIÓN DE LOS CAUCHOS DE LA BOQUILLA.....	23
LIMPIEZA DE LOS CEPILLOS/CEPILLOS CILÍNDRICOS .....	24
LIMPIEZA DEL DEPÓSITO DEL AGUA DE RECUPERACIÓN.....	24
CONTROL Y SUSTITUCIÓN DE LOS FLAPS LATERALES (sólo para 28" Cyl.) .....	25
LIMPIEZA DEL FILTRO DEL MOTOR DEL SISTEMA DE ASPIRACIÓN.....	26
LIMPIEZA DEL FILTRO DE LA SOLUCIÓN DETERGENTE.....	26
CARGA DE LAS BATERÍAS .....	27
LIMPIEZA DEL DEPÓSITO DEL DETERGENTE .....	28
EXPURGACIÓN DEL SISTEMA ECOFLEX™ .....	28
CONTROL/SUSTITUCIÓN DE LOS FUSIBLES .....	28
<b>FUNCIONES DE SEGURIDAD.....</b>	<b>29</b>
PULSADOR DE EMERGENCIA .....	29
SISTEMA DE SEGURIDAD ANTIDERRAPE .....	29
MICROINTERRUPTOR DEL ASIENTO DEL CONDUCTOR .....	29
FRENO ELECTROMAGNÉTICO .....	29
<b>BÚSQUEDA AVERÍAS .....</b>	<b>30</b>
<b>ELIMINACIÓN.....</b>	<b>30</b>

## INTRODUCCIÓN



NOTA

Los números entre paréntesis se refieren a los componentes ilustrados en el capítulo Descripción de la máquina.

### FINALIDAD Y OBJETO DE ESTE MANUAL

Este manual contiene todas las informaciones necesarias para que el operador utilice la máquina de forma adecuada, autónoma y segura. Incluye informaciones inherentes a los datos técnicos, la seguridad, el funcionamiento, el almacenamiento, el mantenimiento, las piezas de repuesto y la eliminación.

Antes de efectuar cualquier operación de mantenimiento, los operadores y los técnicos calificados tienen que leer cuidadosamente las instrucciones incluidas en este manual. En caso de dudas sobre la correcta interpretación de las instrucciones, contactar con Advance para obtener explicaciones.

### DESTINATARIOS

Este manual es para los operadores y los técnicos encargados del mantenimiento de la máquina.

Los operadores no deben efectuar procedimientos reservados a los técnicos calificados. Advance no es responsable para los daños causados a la máquina por falta de observación de esta prohibición.

### CONSERVACIÓN DEL MANUAL

Las Instrucciones de uso deben conservarse junto a la máquina, dentro de su contenedor, lejos de líquidos y otras sustancias que podrían dañarlo.

### DATOS DE IDENTIFICACIÓN

El número de serie y el modelo de la máquina están marcados en la placa (21) aplicada a la columna de la dirección.

El año de fabricación de la máquina está en la declaración de conformidad y está también indicado por las dos primeras cifras del número de serie de la máquina misma.

Esta información es necesaria cuando se pidan piezas de repuesto para la máquina. Utilizar el espacio siguiente para escribir los datos de identificación de la máquina.

Modelo MÁQUINA .....
Número de serie MÁQUINA .....

### OTROS MANUALES DE REFERENCIA

– Manual del cargador de baterías electrónico (debe considerarse parte integrante de este manual)

Los siguientes manuales son también disponibles:

– Manual de asistencia (que se puede consultar cerca de los Centros de asistencia Advance)

– Catálogo piezas de repuestos (en dotación a la máquina)

### PIEZAS DE REPUESTO Y MANTENIMIENTO

Para cualquier necesidad inherente al uso, mantenimiento y reparación, consultar al personal calificado o los Centros de asistencia Advance. Utilizar siempre piezas de repuesto y accesorios originales.

Para la asistencia o para ordenar piezas de repuesto y accesorios acudir a Advance, especificando siempre el modelo y el número de serie de la máquina.

### MODIFICACIONES Y MEJORAS

Advance está constantemente mejorando sus productos y se reserva el derecho de realizar modificaciones y mejoras a su discreción, sin verse obligada a aplicar dichas ventajas a las máquinas vendidas previamente.

Sólo Advance puede aprobar y efectuar cualquier modificación y/o instalación de accesorios.

### CARACTERÍSTICAS DE FUNCIONAMIENTO

La fregadora/secadora es adecuada para limpiar (lavar y secar) suelos lisos y sólidos, en ambiente privado o industrial, en condiciones de seguridad, por parte de un operador calificado.

La fregadora/secadora no es adecuada para limpiar alfombras o moqueta.

### CONVENCIONES

En este Manual, las indicaciones de adelante, atrás, delantero, trasero, derecho e izquierdo, se refieren al operador en posición de conducción en su asiento (17).

## DESEMBALAJE/ENTREGA

Para desembalar la máquina seguir cuidadosamente las instrucciones colocadas sobre el embalaje.

Para desplazar manualmente la máquina, consultar el párrafo Desplazamiento de la máquina mediante empuje/remolque.

Al momento de la entrega, controlar atentamente el embalaje y la máquina por si hayan sufrido daños durante el transporte. Si los daños son evidentes, conservar el embalaje, de forma que el transportista que lo ha entregado lo pueda inspeccionar. Contactarlo de inmediato para compilar una indemnización daños y perjuicios.

Controlar que el equipamiento de la máquina sea el siguiente:

- Documentación técnica:
  - Instrucciones de uso de la fregadora/secadora
  - Manual del cargador de baterías electrónico
  - Catálogo piezas de repuestos de la fregadora/secadora
- N° 2 fusibles laminares
- N° 2 chapitas de ajuste para alojamiento baterías de 6 V

## SEGURIDAD

La siguiente simbología sirve para señalar situaciones de peligro potencial. Leer siempre cuidadosamente estas informaciones y tomar las precauciones necesarias para proteger personas y cosas.

Para evitar desgracias, la cooperación del operador es fundamental. Ningún programa de prevención de accidentes resulta eficaz sin la total cooperación de la persona directamente responsable del funcionamiento de la máquina. La mayoría de los accidentes que pueden ocurrir en una empresa, durante el trabajo o los traslados, son causados por no observar las reglas de seguridad fundamentales. Un operador cuidadoso y cauto es la mejor garantía para evitar posibles accidentes y resulta más eficaz que cualquier programa de prevención.

## SÍMBOLOS



**¡PELIGRO!**

*Indica un peligro con riesgo, incluso mortal, para el operador.*



**¡ATENCIÓN!**

*Indica el riesgo potencial de infortunios para las personas o de daños a las cosas.*



**¡ADVERTENCIA!**

*Indica una advertencia o una nota sobre una función importante o útil. Tener cuidado de las partes del texto marcadas con este símbolo.*



**NOTA**

*Indica una nota sobre una función importante o útil.*



**CONSULTAS**

*Indica la necesidad de consultar las Instrucciones de uso antes de efectuar cualquier operación.*

## INSTRUCCIONES GENERALES

Se describen aquí las advertencias y precauciones específicas por lo que se refiere a los potenciales riesgos de daños a la máquina o a las personas.



### ¡PELIGRO!

- **Antes de efectuar cualquier operación de limpieza, mantenimiento o sustitución de piezas desconectar el conector de la batería y quitar la llave de encendido.**
- **Sólo los operadores cualificados pueden usar esta máquina.**
- **Tener chispas, llamas y materiales incandescentes lejos de las baterías. Durante el uso normal pueden salir gases explosivos.**
- **Quitarse las joyas cuando se trabaja cerca de los componentes eléctricos.**
- **No trabajar bajo la máquina levantada si ésta no está fijada con los soportes adecuados.**
- **No activar la máquina en un ambiente donde haya polvo, líquidos o vapores nocivos, peligrosos, inflamables y/o explosivos: no usar la máquina para recoger materiales peligrosos.**
- **Cargando las baterías se produce gas hidrógeno muy explosivo. Tener el conjunto de los depósitos abierto durante la carga de la batería y efectuar el procedimiento solo en áreas muy bien ventiladas y lejos de llamas libres.**



### ¡ATENCIÓN!

- **Antes de efectuar cualquier operación de mantenimiento/repación, leer cuidadosamente todas las instrucciones relacionadas al mantenimiento/repación.**
- **Antes de usar el cargador de baterías, asegurarse de que la frecuencia y la tensión indicadas en la placa del número de serie de la máquina coincidan con la tensión de la red.**
- **No tirar o transportar la máquina por el cable del cargador de baterías; no utilizar el cable como manilla. No cerrar el cable del cargador de baterías en una puerta o tirarlo sobre bordes o ángulos afilados. No atropellar el cable del cargador de baterías con la máquina.**
- **Tener el cable del cargador de baterías lejos de superficies calientes.**
- **No utilizar la máquina si el cable del cargador de baterías y el enchufe están dañados. Si la máquina no funciona correctamente, está dañada, quedada al exterior o bañada, llevarla a un Centro de asistencia.**
- **Para reducir el riesgo de incendio, electrochoque o lesiones, no dejar la máquina conectada a la red eléctrica cuando está sin custodia. Antes de efectuar las operaciones de mantenimiento, desconectar el cable del cargador de baterías de la red eléctrica.**
- **No fumar cuando se cargan las baterías.**
- **Para evitar usos no autorizados de la máquina, quitar la llave de encendido.**
- **No dejar la máquina sin custodia y sin haberse asegurado que no pueda moverse de forma autónoma.**
- **Proteger siempre la máquina del sol, lluvia y otras intemperie, tanto durante el funcionamiento como durante los períodos de inactividad. Almacenar la máquina en un lugar cerrado y seco: esta máquina sólo se puede usar en seco y no se debe usar o tener al exterior en condiciones de humedad.**
- **Antes de usar la máquina, cerrar todas los portillos y/o las tapas.**
- **No permitir que la máquina se utilice como un juguete. Tener mucho cuidado cuando se utiliza cerca de niños.**
- **No utilizar con finalidades diferentes de aquellas indicadas en este manual. Usar sólo accesorios recomendados por Advance.**
- **Tomar todas las precauciones necesarias para que el pelo, las joyas y las ropas no sean capturados por las partes móviles de la máquina.**
- **No usar la máquina sobre pendientes.**
- **No inclinar la máquina con un ángulo superior al valor indicado en la máquina misma, para no perjudicar la estabilidad.**

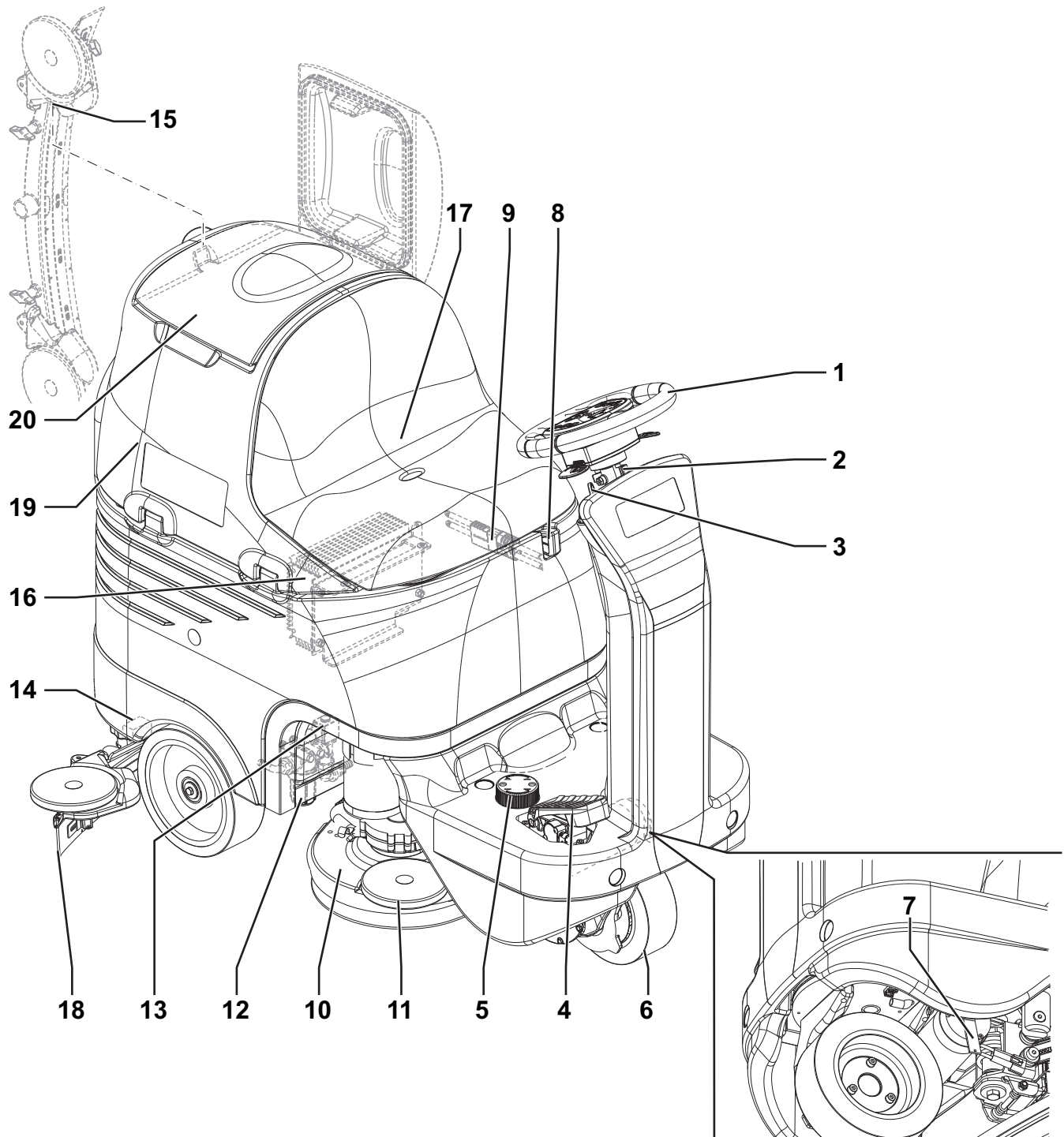
**¡ATENCIÓN!**

- *No usar la máquina en ambientes demasiado polvorientos.*
- *Usar la máquina sólo en áreas con suficiente iluminación.*
- *Si se va a usar la máquina en presencia de otras personas, además del operador, es necesario equipar la máquina con la luz rotativa y el avisador acústico de marcha atrás (opcional).*
- *Cuando se usa esta máquina, tener cuidado de salvaguardar la incolumidad de personas y cosas.*
- *No chocar contra estanterías o andamios de los que puedan caer objetos.*
- *No apoyar contenedores de líquidos sobre la máquina.*
- *La temperatura de la máquina en trabajo debe estar entre +32 °F y 104 °F (0 °C y +40 °C).*
- *La temperatura de almacenamiento de la máquina debe estar entre +32 °F y 104 °F (0 °C y +40 °C).*
- *La humedad debe estar entre el 30% y el 95%.*
- *Cuando se usan detergentes, seguir las instrucciones y advertencias indicadas en las etiquetas de los frascos.*
- *Cuando se usan detergentes, usar guantes y protecciones adecuadas.*
- *No usar la máquina como vehículo de transporte.*
- *No permitir que los cepillos funcionen mientras la máquina está parada en un punto para evitar posibles daños al suelo.*
- *En caso de incendio usar un extintor de polvo, no de agua.*
- *No adulterar por ninguna razón la máquina, respete escrupulosamente las instrucciones previstas para el mantenimiento ordinario.*
- *No dejar que material extraño entre en las aperturas. No usar la máquina si las aperturas están obstruidas. Las aperturas deben mantenerse libre de polvo, hilacha, pelos y cualquier otro cuerpo extraño que pueda reducir el flujo de aire.*
- *No quitar ni modificar las placas colocadas en la máquina.*
- *Para desplazar manualmente la máquina es necesario desactivar el freno electromagnético. Después del desplazamiento manual reactivar el freno electromagnético. Non usar la máquina si el freno electromagnético está desactivado.*
- *Si se desplaza la máquina mediante empuje por causas de servicio (falta de baterías, baterías descargadas, etc.), no superar la velocidad de 2.5 mph (4 km/h).*
- *Esta máquina no tiene aprobación para el uso en carreteras o vías públicas.*
- *Tener cuidado durante el traslado de la máquina en condiciones de temperatura muy baja. El agua en el depósito del agua de recuperación o en los tubos, podría congelarse y dañar la máquina.*
- *Usar sólo los cepillos y los fieltros suministrados con la máquina y aquellos especificados en las Instrucciones de uso. Utilizar otros cepillos o fieltros puede perjudicar la seguridad.*
- *Cuando la máquina no funciona correctamente, asegurarse de que esto no sea causado por falta de mantenimiento. En caso contrario, pedir la intervención del personal autorizado o del Centro de asistencia autorizado.*
- *Si deben sustituirse piezas, solicitar piezas de repuesto ORIGINALES a un Concesionario y/o Revendedor autorizado.*
- *Para asegurar condiciones de funcionamiento correcto y seguro, el personal autorizado o el Centro de asistencia autorizado debe llevar a cabo el mantenimiento programado según las especificaciones indicadas en el capítulo relacionado de este manual.*
- *No lavar la máquina con chorros de agua directa o presurizada, o con sustancias corrosivas.*
- *Si en la máquina están instaladas baterías de plomo (WET), no inclinar la máquina más de 30° con respecto al plano horizontal para que el líquido corrosivo de las baterías no sobresalga. Cuando es necesario inclinar la máquina para efectuar operaciones de mantenimiento, quitar las baterías.*
- *Nunca se debe abandonar la máquina al final del ciclo vital, por la presencia de materiales tóxicos y dañinos (baterías, etc.) sujetos a normativas que exigen que se realice la eliminación en centros especiales (véase el capítulo Eliminación).*

## DESCRIPCIÓN DE LA MÁQUINA

### ESTRUCTURA DE LA MÁQUINA

- |   |   |
|---|---|
| 1. Volante con panel de control y mandos (véase el párrafo siguiente) | 11. Rueda paragolpes  |
| 2. Palanca de ajuste de la altura del volante                         | 12. Filtro de la solución detergente  |
| 3. Llave de encendido   | 13. Electroválvula  |
| 4. Pedal de marcha  | 14. Grifo de apertura/cierre del depósito de la solución detergente/agua limpia |
| 5. Ajuste de la altura de apoyo del tacón                             | 15. Gancho para boquilla  |
| 6. Rueda delantera directriz, de tracción y frenante                  | 16. Cargador de baterías  |
| 7. Palanca de desbloqueo del freno electromagnético                   | 17. Asiento   |
| 8. Pulsador de emergencia   | 18. Conjunto cauchos de la boquilla   |
| 9. Conector de las baterías   | 19. Depósito del agua de recuperación plegable                                  |
| 10. Cabezal portacepillos/portafiltros                                | 20. Tapa del depósito del agua de recuperación                                  |

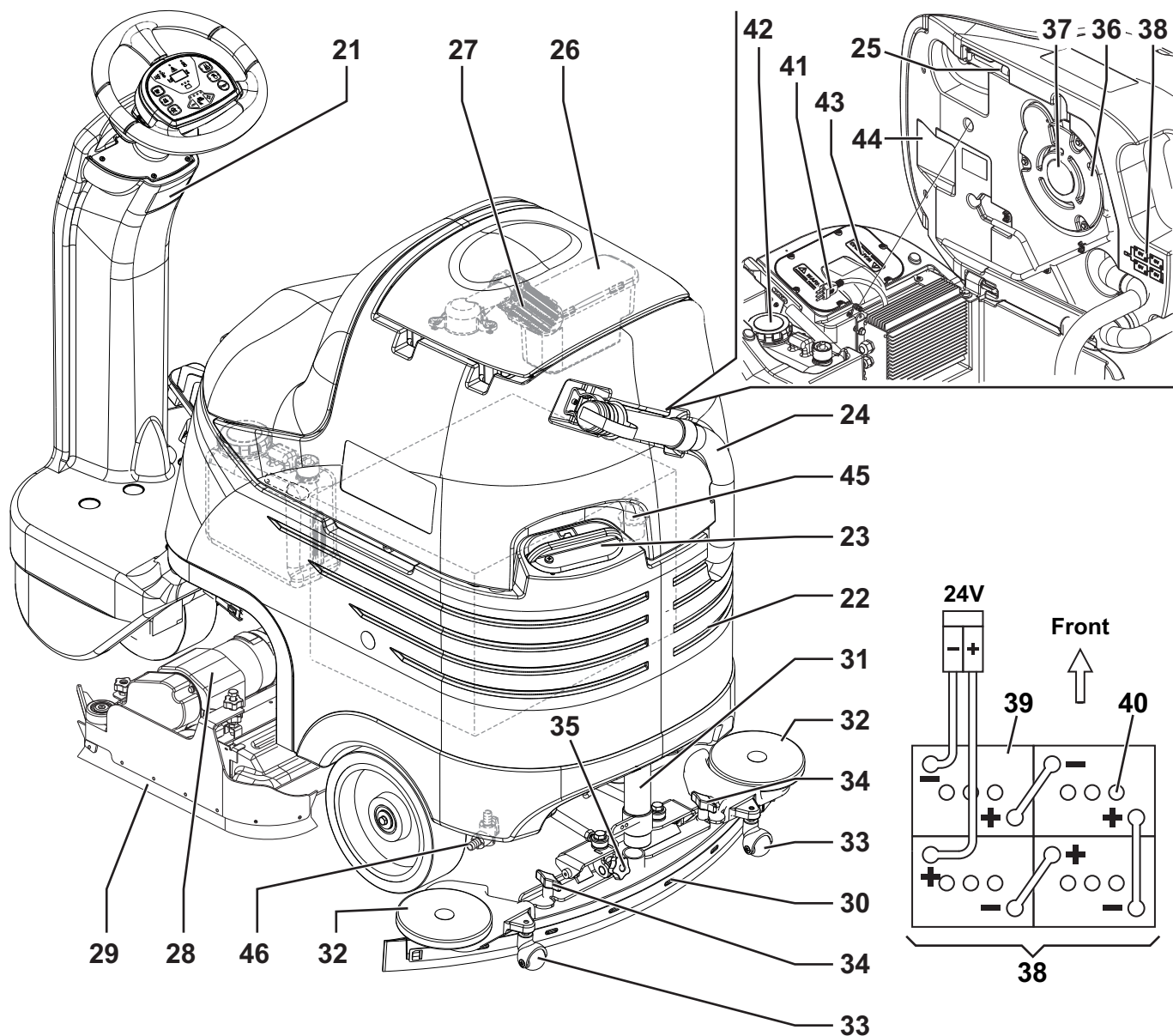




**ESTRUCTURA DE LA MÁQUINA (Sigue)**

- 21. Placa número de serie/datos técnicos/marcación de conformidad
- 22. Depósito de la solución detergente/agua limpia
- 23. Tapón de llenado del depósito de la solución detergente/ agua limpia con tubo extraíble para carga
- 24. Tubo de descarga del agua de recuperación
- 25. Pie de soporte del conjunto depósitos
- 26. Contenedor con rejilla de recogida de residuos
- 27. Rejilla de aspiración con cierre automático de flotador
- 28. Cabezal portacepillos cilíndricos
- 29. Flap lateral del cabezal portacepillos cilíndricos
- 30. Boquilla
- 31. Tubo de aspiración de la boquilla
- 32. Rueda paragolpes de la boquilla
- 33. Ruedas de apoyo de la boquilla
- 34. Empuñaduras de fijación de la boquilla
- 35. Empuñadura de ajuste equilibrado boquilla
- 36. Motor del sistema de aspiración
- 37. Filtro del motor del sistema de aspiración
- 38. Esquema de conexión de las baterías
- 39. Baterías
- 40. Tapones de las baterías
- 41. Cable de alimentación del cargador de baterías
- 42. Depósito del detergente (\*)
- 43. Tapa del compartimento electrónico
- 44. Conjunto depósito y asiento de conducción levantado
- 45. Adaptador para tubo extraíble para cargar el agua y tubo de aspiración de la boquilla
- 46. Grifo de la solución detergente/agua limpia

(\*) Sólo para máquinas con sistema EcoFlex™

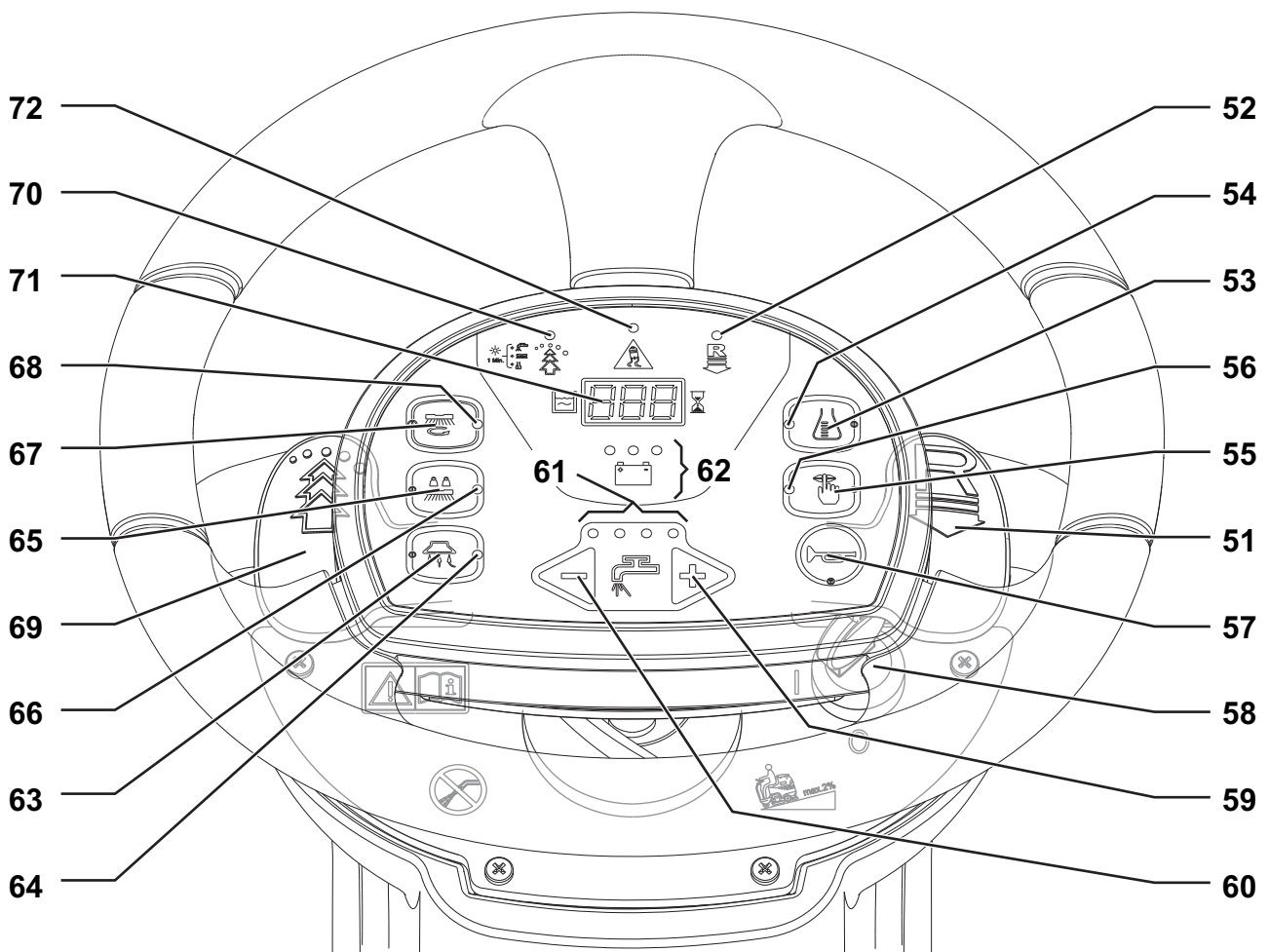


**VOLANTE CON PANEL DE CONTROL Y MANDOS**

- 51. Palanca de activación/desactivación marcha atrás
- 52. Indicador LED de activación marcha atrás
- 53. Interruptor de ajuste del flujo de detergente en el agua de lavado (\*)
- 54. Indicador LED del interruptor de ajuste del porcentaje de detergente en el agua de lavado (\*)
- 55. Interruptor de la modalidad silenciosa
- 56. Indicador LED de la modalidad silenciosa
- 57. Interruptor de la bocina
- 58. Llave de encendido
- 59. Interruptor para aumentar el flujo de solución detergente
- 60. Interruptor para disminuir el flujo de solución detergente
- 61. Barra de visualización del flujo de la solución detergente
- 62. Indicadores LED de carga de las baterías
  - LED verde - baterías cargadas
  - LED amarillo - baterías casi descargadas
  - LED rojo - baterías descargadas
- 63. Interruptor del sistema de aspiración
- 64. Indicador LED del sistema de aspiración
- 65. Interruptor presión suplementaria (interruptor no activo en la versión 28" Cyl.)
- 66. Indicador LED presión suplementaria
- 67. Interruptor de subida/bajada cabezal portacepillos/portafiltros y boquilla
- 68. Indicador LED de subida/bajada cabezal portacepillos/portafiltros y boquilla
- 69. Palanca de activación/desactivación EcoFlex™ (\*)
- 70. Indicador LED sistema EcoFlex™ (\*):
  - LED encendido - EcoFlex™ activado
  - LED intermitente - EcoFlex™ invalidado
  - Led apagado - EcoFlex™ deshabilitado
- 71. Visualizador cuentahoras y nivel solución detergente:
  - a la puesta en marcha indica, por unos segundos, las horas de trabajo efectuadas.
  - Durante el uso de la máquina indica el nivel de detergente/agua de lavado en el depósito (en galones).
  - Cuando el nivel es superior a 18 USgal, el visualizador indica "FUL".
  - Cuando el nivel es inferior a 4 USgal, el visualizador indica "LO".
  - Cuando el depósito está vacío, la indicación "LO" empieza a parpadear.
- 72. Indicador LED de activación control antiderrape



**NOTA**  
 La indicación "LO" intermitente puede aparecer antes de que el depósito esté completamente vacío, por lo tanto se puede todavía efectuar las últimas fases de trabajo, controlando siempre el flujo de solución detergente a los cepillos.



## ACCESORIOS/OPCIONES

Además de los componentes instalados en la versión estándar, la máquina puede equiparse con los siguientes accesorios/ opciones, según el uso específico:

- Baterías GEL/AGM
- Cepillos y cepillos cilíndricos de diferentes materiales
- Filtros de diferentes materiales
- Cauchos de la boquilla de diferentes materiales
- Luz intermitente
- Conjunto "mop a trash"
- Motor del sistema de aspiración de 0.9 HP (670 W)

Para informaciones suplementarias sobre estos accesorios opcionales, acudir al Revendedor autorizado.

## DATOS TÉCNICOS

### Datos técnicos generales

Descripción	26" Disc	28" Cyl.
Anchura de barrido	26 in (660 mm)	28 in (710 mm)
Anchura de la boquilla	35 in (890 mm)	
Capacidad del depósito de la solución detergente/agua limpia	21 USgal (80 litros)	
Flujo de la solución detergente	de 0.26 a 0.8 USgal/min (de 1 a 3 litros/min)	
Diámetro ruedas traseras en eje fijo	9.8 in (250 mm)	
Presión específica al suelo de la rueda delantera	72 psi (0.5 N/mm <sup>2</sup> )	
Presión específica al suelo de las ruedas traseras	130 psi (0.9 N/mm <sup>2</sup> )	
Diámetro rueda delantera directriz, de tracción y frenante	8.8 in (225 mm)	
Potencia del motor del sistema de aspiración	0.56 HP (420 W)	
Potencia del motor del sistema de tracción	0.4 HP (300 W)	
Velocidad máxima	3.7 mph (6 km/h)	
Inclinación máxima de trabajo	2% (1.14°)	
Presión sonora a la oreja del operador (ISO 11201, ISO 4871, EN 60335-2-72) (LpA)	65 dB(A) ± 3 dB(A)	
Potencia sonora de la máquina (ISO 3744, ISO 4871, EN 60335-2-72) (LwA)	82 dB(A)	
Nivel de vibraciones transmitidas a los brazos del operador (ISO 5349-1, EN 60335-2-72)	< 98.4 in/s <sup>2</sup> (< 2.5 m/s <sup>2</sup> )	
Nivel de vibraciones transmitidas al cuerpo del operador (ISO 2631-1, EN 60335-2-72)	3.1 in/s <sup>2</sup> (0.8 m/s <sup>2</sup> )	
Dimensiones compartimento baterías (longitud x anchura x altura)	14.9 x 21.2 x 11.8 in (380 x 540 x 300 mm)	
Tipo de baterías	4 baterías de 6 V, 180 Ah C5 (WET)	
	4 baterías de 6 V, 180 Ah C5 (GEL/AGM)	
Vacío del sistema de aspiración	0.0098 MPa (1,000 mmH <sub>2</sub> O)	
Altura de la máquina	46.8 in (1,190 mm)	
Longitud máxima de la máquina	53.5 in (1,360 mm)	
Anchura de la máquina sin boquilla	26.4 in (670 mm)	31.9 in (810 mm)

### Datos técnicos con cabezal portacepillos/portafiltros

Descripción	26" Disc
Diámetro cepillo/filtro	13 in (330 mm)
Peso sin baterías y con los depósitos vacíos	385.8 lb (175 kg)
Peso máximo con baterías, depósitos llenos y operador (75 kg) (GVW)	983.2 lb (446 kg)
Potencia del motor del cepillo/portafiltro	2 x 0.53 HP (2 x 400 W)
Velocidad de rotación cepillo/portafiltro	230 rpm
Presión de los cepillos/portafiltros con presión suplementaria desactivada	66.1 lb (30 kg)
Presión de los cepillos/portafiltros con presión suplementaria activada	105.8 lb (48 kg)

**Datos técnicos con cabezal portacepillos cilíndricos**

<b>Descripción</b>	<b>28" Cyl.</b>
Dimensiones del cepillo cilíndrico (diámetro x longitud)	5.7 x 27.2 in (145 x 690 mm)
Peso sin baterías y con los depósitos vacíos	396.8 lb (180 kg)
Peso máximo con baterías, depósitos llenos y operador (75 kg) (GVW)	994.3 lb (451 kg)
Potencia del motor del cepillo cilíndrico	2 x 0.8 HP (2 x 600 W)
Velocidad de rotación de los cepillos cilíndricos	720 rpm
Presión de los cepillos cilíndricos	77.1 lb (35 kg)

**ESQUEMA ELÉCTRICO**

**Leyenda**

BAT	Batería de 24 V
BE	Luz intermitente (opcional)
BRK	Freno electromagnético
BZ1	Avisador acústico de marcha atrás/bocina
C1	Conector de las baterías
C2	Conector principal del cargador de baterías
C3	Conector secundario del cargador de baterías
C4	Conector del cabezal portacepillos
CH	Cargador de baterías (opcional)
EB1	Tarjeta electrónica funciones
EB2	Tarjeta electrónica del visualizador
EB3	Tarjeta electrónica serigrafía tablero de instrumentos
ES1	Telerruptor motores cepillos
EV1	Electroválvula
F1	Fusible cabezal portacepillos
F2	Fusible tarjeta electrónica principal
F3	Fusible de los circuitos de señal
F4	Fusible actuadores
K1	Conmutador de arranque
M1.1,2	Motor cepillo
M2	Motor del sistema de aspiración
M3	Motor del sistema de tracción
M4	Bomba del detergente (opcional)
M5	Motor actuador cabezal portacepillos
M6	Motor actuador boquilla
m0	Microinterruptor posición 0 actuador boquilla
m1	Microinterruptor posición 1 actuador boquilla
m2	Microinterruptor posición 2 actuador boquilla
PR1	Presóstato nivel solución detergente/agua limpia
RV1	Potenciómetro pedal de marcha
SW1	Microinterruptor asiento de conducción

**Códigos colores**

BK	Negro
BU	Azul
BN	Marrón
GN	Verde
GY	Gris
OG	Anaranjado
PK	Rosado
RD	Rojo
VT	Morado
WH	Blanco
YE	Amarillo

(\*) Sólo para SC3000 26" Disc



## USO

**¡ATENCIÓN!**

*En unas partes de la máquina hay unas placas adhesivas que indican:*

- PELIGRO
- ATENCIÓN
- ADVERTENCIA
- CONSULTAS

Leyendo este manual, el operador tiene que aprender el sentido de los símbolos indicados en las placas. Por ninguna razón estas placas deben cubrirse y si están dañadas tienen que sustituirse de inmediato.

## CONTROL/PREPARACIÓN DE LAS BATERÍAS EN LA MÁQUINA NUEVA

**¡ATENCIÓN!**

*Si no se instalan correctamente las baterías, los componentes eléctricos de la máquina podrían dañarse. Sólo el personal calificado puede efectuar la instalación de las baterías. Según el tipo de baterías instalado (WET o GEL/AGM), ajustar la tarjeta electrónica funciones.*

*Antes de la instalación de las baterías, controlar que no estén dañadas.*

*Desconectar el conector de las baterías o el enchufe del cargador de baterías.*

*Desplazar las baterías con mucho cuidado.*

*Instalar las tapas de protección de los terminales de las baterías, en dotación a la máquina.*

La máquina necesita 4 baterías de 6 V, conectadas según el esquema (38).

La máquina puede ser entregada con las siguientes configuraciones:

### **Baterías (WET o GEL/AGM) instaladas en la máquina y listas para ser usadas**

1. Abrir la tapa (20) y controlar que el depósito del agua de recuperación (19) esté vacío, si no vaciarlo mediante el tubo de descarga (24).
2. Cerrar la tapa (20).
3. Abrir con cuidado el conjunto depósito (44).
4. Controlar que las baterías estén conectadas a la máquina mediante el conector (9).
5. Bajar con cuidado el conjunto depósito (44).
6. Introducir la llave de encendido (58) y colocarla en la posición "I". Si el LED verde (62) se enciende, las baterías están cargadas y pueden utilizarse. Si se enciende el LED amarillo o rojo es necesario cargar las baterías (véase el procedimiento en el capítulo Mantenimiento).

### **Sin baterías**

1. Comprar baterías adecuadas (véase el párrafo Datos técnicos).  
Para escoger e instalar las baterías, acudir a un Revendedor calificado.
2. Regular la máquina según el tipo de baterías instalado (WET o GEL/AGM) (véase el párrafo siguiente).
3. Instalar las baterías (véase el párrafo siguiente).
4. Cargar las baterías.

## INSTALACIÓN DE LAS BATERÍAS Y AJUSTE DEL TIPO DE BATERÍAS (WET O GEL/AGM)

### Instalación de las baterías

1. Abrir la tapa (20) y controlar que el depósito del agua de recuperación (19) esté vacío, si no vaciarlo mediante el tubo de descarga (24).
2. Cerrar la tapa (20).
3. Abrir con cuidado el conjunto depósito (44).
4. Instalar las baterías y conectarlas según el esquema relacionado (38).

### Ajuste del tipo de baterías

Según el tipo de baterías instaladas (WET o GEL/AGM) efectuar el ajuste de la tarjeta electrónica de la máquina y del cargador de baterías de a bordo, como indicado en el párrafo siguiente:

5. Llevar la llave de encendido (58) en la posición "I" y detectar el ajuste actual en los primeros segundos de funcionamiento de la máquina, el número de parpadeos de las luces de aviso (62), según la tabla siguiente:

AJUSTE	VISUALIZADOR (71)	INDICACIÓN LED BATERÍAS (62)	TIPO DE BATERÍA	CORRIENTE DE CARGA
1	WET 20A	4 parpadeos del LED rojo	WET	ESTÁNDAR
2	GEL 20A	4 parpadeos del LED verde	GEL-AGM	
3	GEE 20A	4 parpadeos del LED amarillo	GEL tipo EXIDE®	
4	WET 15A	2 parpadeos del LED rojo	WET	REDUCIDA (véase Nota)
5	GEL 15A	2 parpadeos del LED verde	GEL-AGM	
6	GEE 15A	2 parpadeos del LED amarillo	GEL tipo EXIDE®	

6. Si es necesario, cambiar el ajuste según el procedimiento siguiente.
7. Apagar la máquina colocando la llave de encendido (58) en la posición "0".
8. Pulsar contemporáneamente y mantener pulsados los interruptores (67) y (63), luego colocar la llave de encendido (58) en la posición "I".
9. Soltar los interruptores (67) y (63) después de 5 segundos tras la puesta en marcha de la máquina.
10. Dentro de 3 segundos pulsar de nuevo brevemente los interruptores (63) para pasar al ajuste siguiente (de 1 a 6 en sucesión cíclica).



NOTA

*Durante los pasos 9 y 10, las regulaciones se visualizan también en el visualizador (71) mediante el código en la tabla.*



NOTA

*Si se usan baterías con capacidad inferior a 160Ah@5h (en caso de duda véase la documentación de las baterías), para evitar el excesivo sobrecalentamiento de las baterías durante la carga, usar la corriente de carga REDUCIDA mediante los ajustes 4, 5 o 6 indicados en la tabla, según el tipo de baterías instalado.*



NOTA

*El cargador de baterías se ajusta junto al ajuste del tipo de baterías.*

### Carga de las baterías

11. Cargar las baterías (véase el capítulo Mantenimiento).

**ANTES DE LA PUESTA EN MARCHA**



**¡ATENCIÓN!**

*Cada vez que se enciende la máquina, controlar que no hay cuerpos extraños entre el cabezal (10 o 28) y la máquina o entre la boquilla (30) y la máquina, que puedan obstaculizar el levantamiento del cabezal o de la boquilla. Este control es necesario porque, si la máquina fue apagada sin haber levantado el cabezal portacepillos y la boquilla, cuando se va a poner de nuevo en marcha la máquina, el cabezal y la boquilla se levantan automáticamente.*

**Instalación/remoción de los cepillos/portafiltros**

(Para SC3000 26" Disc)

En la máquina predispueta con el cabezal adecuado, se pueden instalar tanto cepillos (A, Fig. 1) como portafiltros (B) con filtros (C), según el tipo de tratamiento de efectuar.

Para la instalación/remoción, efectuar el procedimiento siguiente.

1. Introducir la llave de encendido (58) y colocarla en la posición "I".



**¡ATENCIÓN!**

*Antes de pulsar el interruptor (67), comprobar siempre que no hay cuerpos extraños entre el cabezal (10) y la máquina que puedan obstaculizar el levantamiento del cabezal mismo.*

2. Levantar el cabezal pulsando el interruptor (67).
3. Colocar la llave de encendido (58) en la posición "0" y sacarla.
4. Instalar los cepillos/portafiltros (A o B) colocándolos en el cubo arrastrador (D) bajo del cabezal, luego girarlos en sentido contrario al normal sentido de rotación hasta el tope de carrera (E).
5. Para quitar los cepillos/portafiltros efectuar los pasos de 1 a 3, luego desenganchar manualmente el cepillo/portafiltro del cubo girándolo de golpe en el sentido de rotación (F).



**¡ATENCIÓN!**

*El uso de la máquina no perfectamente montada puede causar lesiones a personas y daños a los aparatos. Controlar siempre que todos los componentes estén instalados, antes de poner en marcha la máquina. Controlar con cuidado la máquina antes de usarla.*

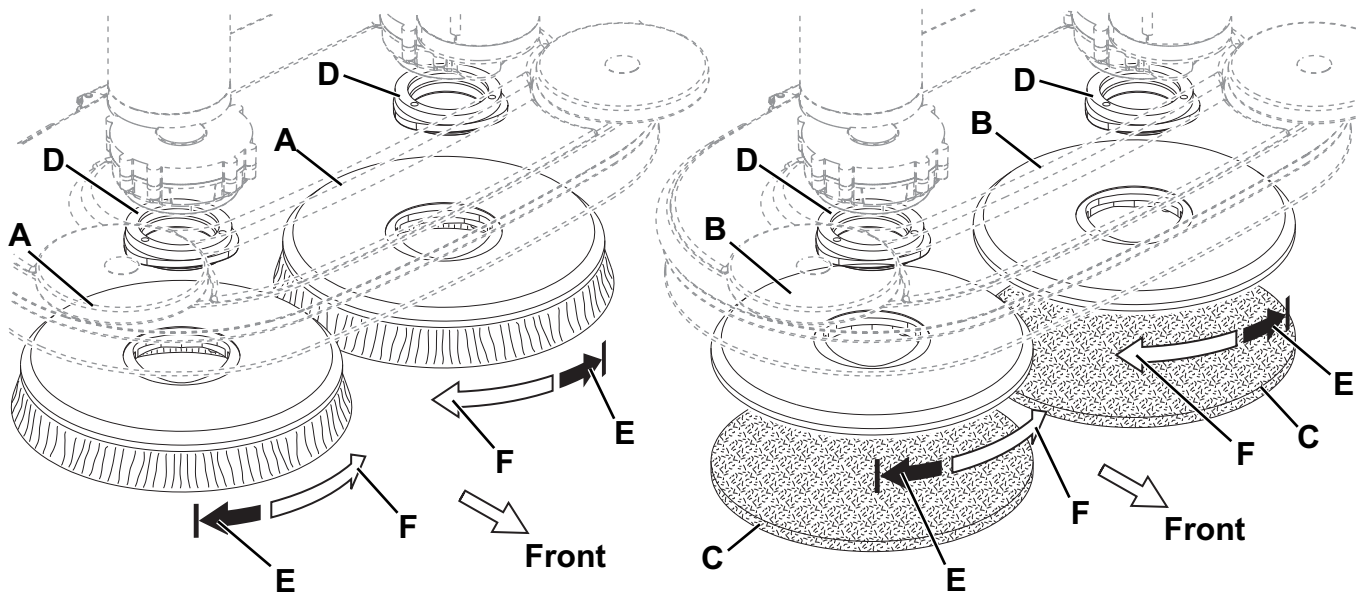


Figura 1

P100362



**Tipos de cepillos disponibles y guía para su aplicación (sólo sugerencias)**

Modelos	MIDLITE GRIT 180	MIDGRIT 240	PROLENE	PROLITE	UNION MIX
Limpieza general:					
Hormigón					
Suelo terraza					
Baldosas de cerámica/de cantera					
Mármol					
Baldosas de vinilo					
Baldosas de caucho					
Lustrado:					
Baldosas de caucho					
Mármol					
Baldosas de vinilo					

**Instalación/remoción de los cepillos cilíndricos**

(Para SC3000 28" Cyl.)

1. Introducir la llave de encendido (58) y colocarla en la posición "I".



**¡ATENCIÓN!**

*Antes de pulsar el interruptor (67), comprobar siempre que no hay cuerpos extraños entre el cabezal (28) y la máquina que puedan obstaculizar el levantamiento del cabezal mismo.*

2. Levantar el cabezal pulsando el interruptor (67).
3. Colocar la llave de encendido (58) en la posición "0" y sacarla.
4. En ambos lados de la máquina, aflojar las perillas (A, Fig. 2) y quitar los conjuntos flap lateral (B).
5. Desenroscar las perillas (C) y quitar los portillos (D) empujando las perillas hacia abajo.
6. Instalar los cepillos cilíndricos (E), o quitar los cepillos para instalar los cepillos nuevos. Los cepillos cilíndricos se pueden instalar por un lado o por el otro.
7. Instalar los portillos (D) y fijarlos con las perillas (C).
8. Instalar los conjuntos flap lateral (B) y fijarlos con las perillas (A).



**¡ATENCIÓN!**

*El uso de la máquina no perfectamente montada puede causar lesiones a personas y daños a los aparatos. Controlar siempre que todos los componentes estén instalados, antes de poner en marcha la máquina. Controlar con cuidado la máquina antes de usarla.*

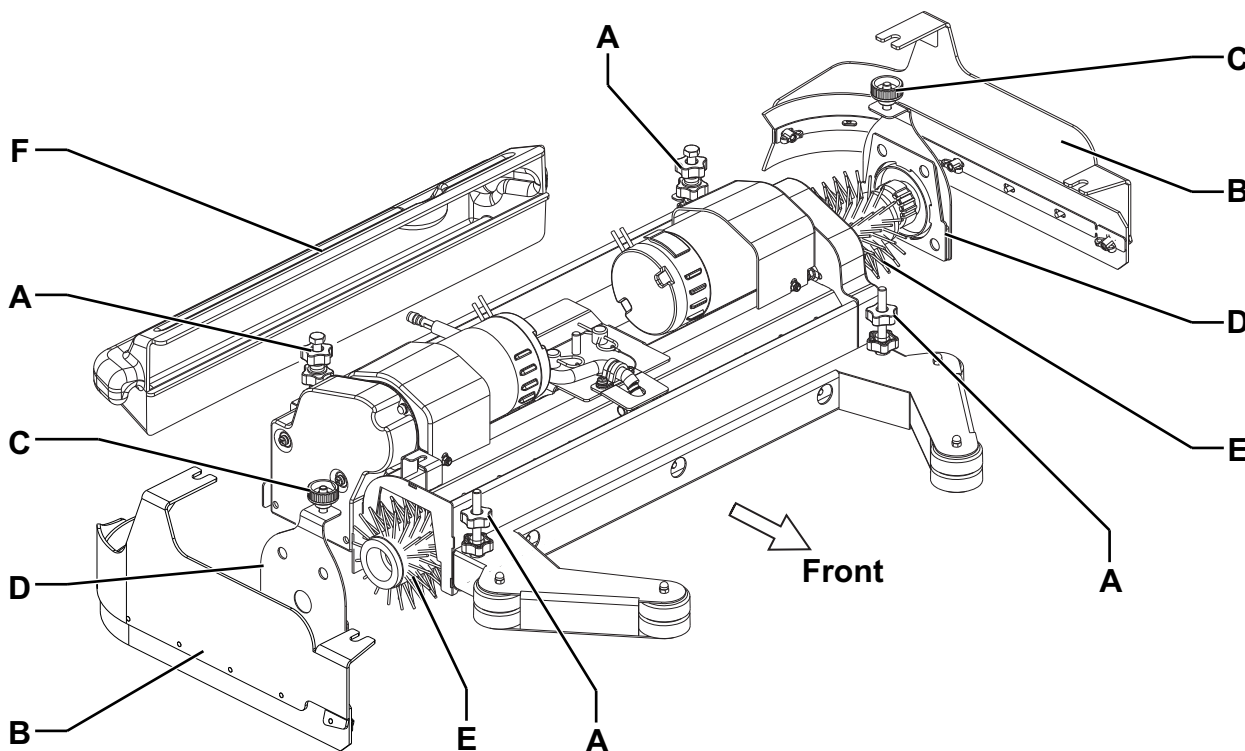


Figura 2

P100363

**Tipos de cepillos cilíndricos disponibles y guía para su aplicación (sólo sugerencias)**

Modelos	MAGNA GRIT 46	DYNA GRIT 80	MIDLITE GRIT 180	PROLENE	PROLITE	UNION MIX
Limpieza general:						
Hormigón						
Suelo terraza						
Baldosas de cerámica/de cantera						
Mármol						
Baldosas de vinilo						
Baldosas de caucho						

**Instalación de la boquilla**

1. Instalar la boquilla (30) y fijarla con las empuñaduras (34), luego conectar el tubo de aspiración (31) a la boquilla.
2. Mediante la empuñadura (35) ajustar la boquilla de forma que los cauchos (18) toquen el suelo por toda su longitud y que el caucho delantero esté ligeramente desprendido del suelo.

**Llenado del depósito de la solución detergente/agua limpia**



**NOTA**

*Si la máquina está equipada de sistema EcoFlex™ verter agua limpia en el depósito, si no verter la solución detergente.*



**¡ADVERTENCIA!**

**Usar exclusivamente detergentes líquidos poco espumosos y no inflamables, que sean adecuados para este tipo de máquina.**



**¡ATENCIÓN!**

**Cuando se usan detergentes, seguir las instrucciones y advertencias indicadas en las etiquetas de los frascos. Cuando se usan detergentes, usar guantes y protecciones adecuadas.**

1. Abrir el tapón (23).
2. **(Para máquinas sin sistema EcoFlex™)**  
Con el tubo extraíble llenar el depósito (22) con una solución detergente adecuada.  
No llenar completamente el depósito (22), dejar unos centímetros del borde del tapón (23).  
Seguir las instrucciones indicadas en la etiqueta para la dilución del producto químico usado para componer la solución detergente.  
La temperatura de la solución detergente no debe superar los 40 °C.
- (Para máquinas con sistema EcoFlex™)**  
Con el tubo extraíble llenar el depósito (22) con agua limpia.  
No llenar completamente el depósito (22), dejar unos centímetros del borde del tapón (23).  
La temperatura del agua no debe superar los 40 °C.

**Llenado del depósito del detergente**

(Para máquinas con sistema EcoFlex™)

1. Abrir la tapa (20) y controlar que el depósito del agua de recuperación (19) esté vacío, si no vaciarlo mediante el tubo de descarga (23).
2. Cerrar la tapa (20).
3. Abrir con cuidado el conjunto depósito (44).
4. Abrir el tapón del depósito del detergente (42).
5. Rellenar el depósito con un detergente adecuado (detergente de alta concentración).  
No llenar completamente el depósito del detergente, dejar unos centímetros del borde.



**NOTA**

*Si el tubo del depósito del detergente está vacío (en caso de sistema nuevo, de sistema vaciado para limpieza, etc.), para acelerar el procedimiento de llenado del tubo, podría ser útil efectuar uno o más ciclos de expurgación del sistema EcoFlex™ (véase el procedimiento en el capítulo Mantenimiento).*

**Ajuste del asiento de conducción**

1. Ajustar la altura del volante (1) con la palanca (2) y la altura de apoyo del tacón (5) en la posición más confortable para el operador.

## PUESTA EN MARCHA Y PARADA DE LA MÁQUINA

### Puesta en marcha de la máquina

1. Preparar la máquina como indicado en el párrafo precedente.
2. Colocar la llave de encendido (58) en la posición "I" y pisar el pedal de marcha (4). Controlar si el LED verde del indicador de carga de las baterías (62) se enciende.  
Si se enciende el indicador luminoso amarillo o rojo, colocar de nuevo la llave de encendido (58) en la posición "0", luego cargar las baterías (véase el procedimiento en el capítulo Mantenimiento).
3. Llegar al lugar de trabajo empujando la máquina con las manos sobre el manillar y pisando el pedal (4).  
La velocidad de marcha se puede ajustar de cero al valor máximo según la presión aplicada al pedal (4).
4. La marcha adelante/atrás se selecciona mediante la palanca (51) que se encuentra a la derecha del volante.



#### NOTA

*El asiento (17) está equipado de un sensor de seguridad para permitir que la máquina se mueva mediante el pedal (4) sólo cuando el operador está sentado en el asiento mismo.*



#### NOTA

*La máquina está equipada de un sistema de seguridad antiderrape [LED (72) intermitente] que reduce la velocidad de marcha durante las vueltas y en caso de inclinación de la máquina, independientemente de la presión sobre el pedal. La reducción de velocidad durante las vueltas, por lo tanto, no es un funcionamiento incorrecto, sino una característica que aumenta la estabilidad y la seguridad de la máquina en cada condición.*

5. Bajar el cabezal portacepillos/portafiltros y la boquilla pulsando el interruptor (67).
6. Colocar los interruptores de ajuste del flujo de la solución detergente (59 y 60) en la posición más adecuada según la cantidad de trabajo de efectuar.
7. Empezar el trabajo, conduciendo la máquina con las manos sobre el volante (1) y pisando adecuadamente el pedal (4).



#### NOTA

*La máquina está equipada de un sistema de seguridad que permite activar los cepillos y el sistema de aspiración sólo cuando la máquina se mueve.*

### Parada de la máquina

8. Soltar el pedal (4).  
No es necesario bloquear la máquina durante la parada o el estacionamiento, porque el freno electromagnético frena automáticamente la máquina cuando no se pisa el pedal de marcha.
9. Levantar el cabezal portacepillos/portafiltros y la boquilla pulsando el interruptor (67).

**MÁQUINA EN FUNCIÓN (LAVADO/SECAMIENTO)**

1. Poner en marcha la máquina como indicado en el párrafo antecedente.
2. Si necesario, cambiar la cantidad de solución detergente que llega a los cepillos con los interruptores (59 y 60).
3. Si necesario, para reducir el ruido, activar la modalidad silenciosa pulsando el interruptor (55).



NOTA

Se recomienda usar la modalidad silenciosa sólo sobre suelos lisos y sin fugas.



NOTA

Para un correcto lavado/secamiento de los suelos en los bordes de las paredes, Advance sugiere acercarse con el lado derecho de la máquina como indicado en la figura 3.

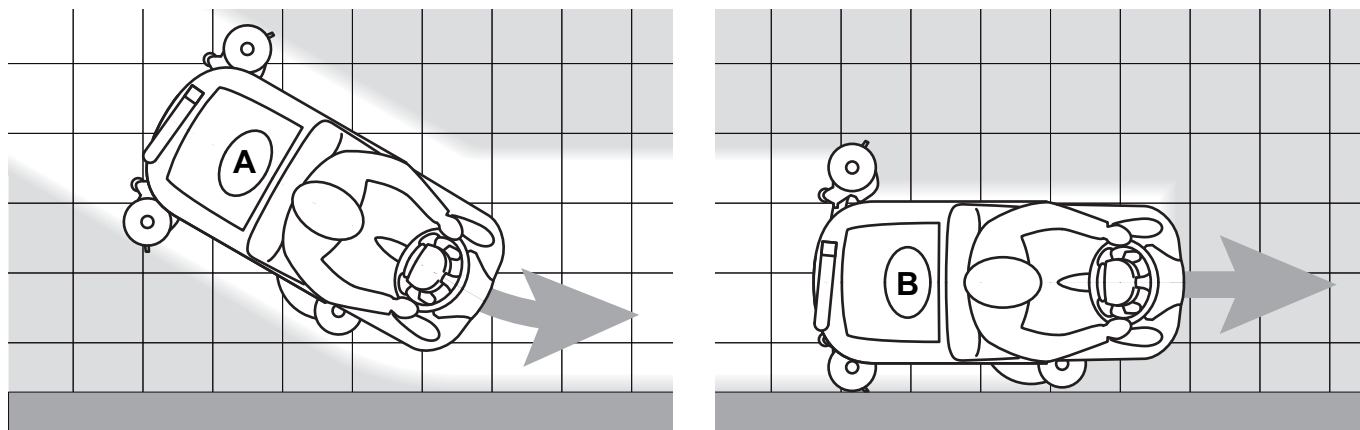


Figura 3

P100364

**Ajuste de la boquilla**

4. Si necesario, parar la máquina y ajustar ulteriormente la empuñadura de ajuste del equilibrado de la boquilla (35) de forma que el caucho trasero toque el suelo por toda su longitud.

**Ajuste de la concentración del detergente en la solución detergente**

(Para máquinas con sistema EcoFlex™)

El sistema para mezclar el detergente al agua se activa pulsando el interruptor de ajuste del porcentaje de detergente (A, Fig. 4): con el LED (B) encendido el detergente se añade al agua de lavado.

El visualizador (C) indica el nivel de concentración del detergente en la solución detergente, como en la tabla indicada en la figura 5.



NOTA

La concentración de detergente en la solución suministrada por el sistema corresponde siempre al nivel 1. Cuando se requiere provisionalmente una mayor concentración pulsar el pulsador EcoFlex™ o deshabilitar el sistema EcoFlex™ (véase el párrafo específico).

**Función EcoFlex™**

Levantar la palanca EcoFlex™ (D, Fig. 4) cuando se requiere provisionalmente una mayor potencia de lavado.

Levantando la palanca (D) [LED (F) intermitente] el flujo del solución detergente aumenta, la presión suplementaria de los cepillos/portafiltros se activa y (para máquinas con sistema EcoFlex™) la concentración de detergente en la solución corresponde al nivel ajustado (además si la función de mezcla del detergente está desactivada se vuelve a activar de forma automática).

Levantando de nuevo la palanca (D) se vuelve a los ajustes iniciales [LED (E) encendido].



NOTA

Si la palanca (D) no se levanta por segunda vez, se vuelve a los ajustes iniciales después de 60 segundos.

Para cambiar el valor actual del porcentaje de detergente, efectuar el procedimiento siguiente:

1. Desactivar el interruptor de ajuste del porcentaje de detergente (A) [el LED (B) debe estar apagado].
2. Pulsar y mantener pulsado el interruptor de ajuste del porcentaje de detergente (A) hasta que parpadee la luz de aviso (B).
3. Soltar el interruptor (A). Pulsarlo de nuevo por algunos segundos para pasar al nivel sucesivo indicado por el visualizador (C) como en la tabla indicada en la figura 4; repetir la operación hasta obtener el ajuste deseado.
4. Esperar que el LED (B) acabe de parpadear: el nuevo nivel está ajustado.



NOTA

El ajuste del porcentaje de detergente queda memorizado también después del apagamiento de la máquina.

**Deshabilitación del sistema EcoFlex™**

(Para máquinas con sistema EcoFlex™)

Para deshabilitar provisionalmente el sistema, levantar la palanca EcoFlex™ (D, Fig. 4) y tenerla levantada durante 2 segundos. Después de este procedimiento [LED (D) apagado] el nivel de concentración del detergente es aquello ajustado. Para volver a activar el sistema, levantar de nuevo la palanca EcoFlex™ (D).

Para deshabilitar permanentemente el sistema EcoFlex™ efectuar el procedimiento siguiente:

1. Apagar la máquina colocando la llave de encendido (58) en la posición "0".
2. Tener levantada la palanca (D), luego llevar la llave de encendido (58) en posición "I".
3. Soltar la palanca (D) después de 8 segundos tras la puesta en marcha de la máquina.

Después de este procedimiento, la palanca EcoFlex™ está deshabilitada [LED (E) apagado] y el nivel de concentración del detergente es aquello ajustado.

Para volver a activar el sistema, repetir los pasos de 1 a 3.



**NOTA**

La deshabilitación del sistema EcoFlex™ queda memorizada también después del apagamiento de la máquina.

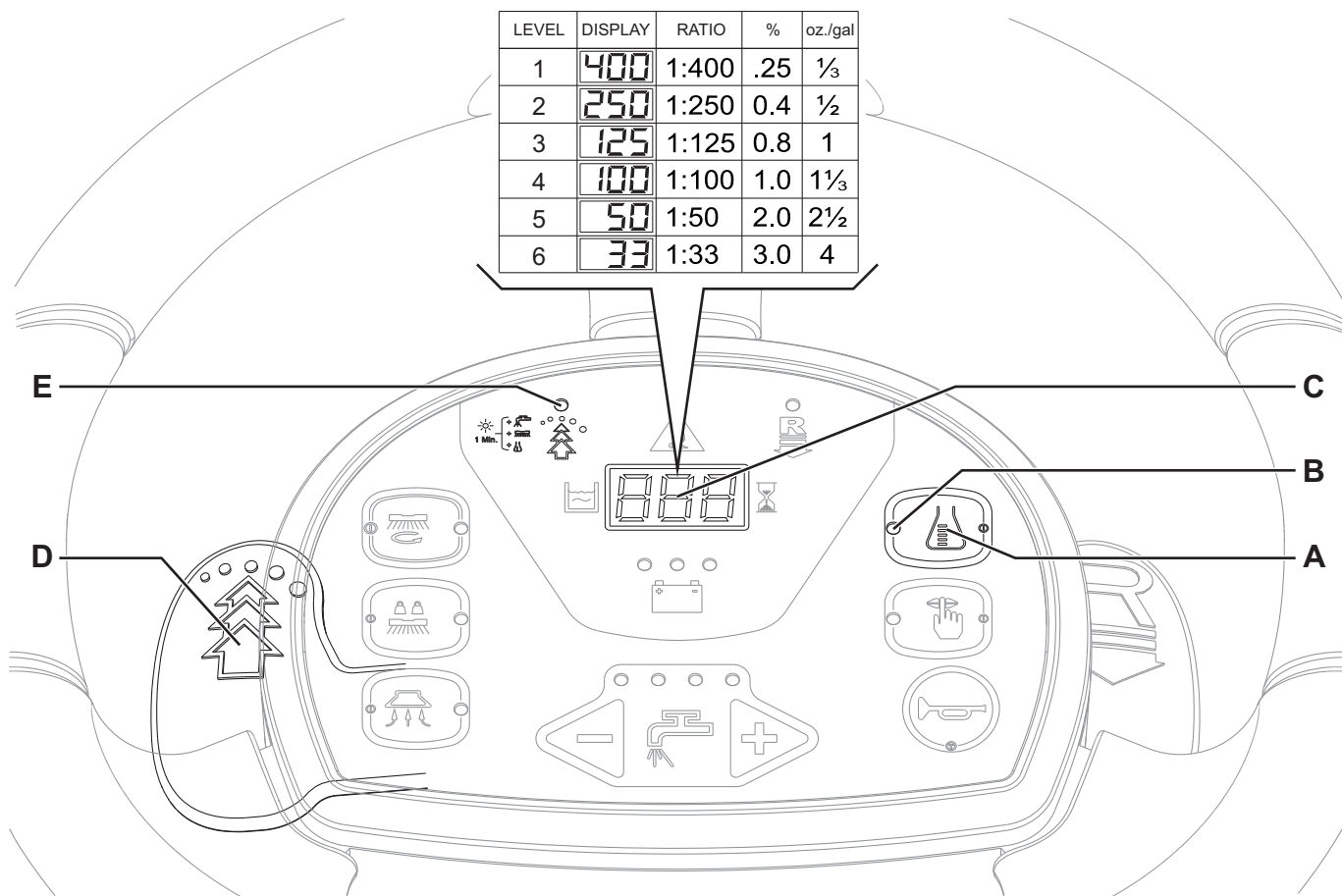


Figura 4

P100365A

**Trabajo con la función de presión suplementaria de los cepillos/portafiltros (sólo para SC3000 26" Disc)**

1. En caso de suelo con suciedad muy resistente, es posible trabajar con una presión mayor de los cepillos/portafiltros sobre el suelo, pulsando el interruptor (65).
2. Para volver a un trabajo con presión normal, pulsar de nuevo el interruptor (65).  
El interruptor (65) está activado sólo cuando el cabezal (10) está bajado y el LED (68) del interruptor (67) está encendido.

**¡ADVERTENCIA!**

*En caso de sobrecarga de los motores de los cepillos/portafiltros, por causa de cuerpos extraños que obstaculizan el movimiento, o de suelos/cepillos demasiados agresivos, un sistema de seguridad bloquea los cepillos/portafiltros después de un minuto de sobrecarga continua.*

*La condición de sobrecarga se visualiza mediante el parpadeo simultáneo de los tres LED que indican la carga de las baterías (62).*

*Si la sobrecarga ocurre durante el trabajo con la función de presión suplementaria activada, el sistema disminuye automáticamente la presión sobre los cepillos/portafiltros desactivando la función de presión suplementaria. Si la sobrecarga persiste, los cepillos/portafiltros se bloquean.*

*Para empezar de nuevo el trabajo tras la parada de los cepillos/portafiltros por causa de la sobrecarga, es necesario reajustar la máquina, colocando la llave de encendido (58) en la posición "0". Poner en marcha la máquina colocando la llave de encendido (58) en la posición "I".*

**Descarga de las baterías durante el trabajo**

1. Hasta que el LED verde (62) se queda encendido, las baterías permiten el funcionamiento normal de la máquina. Cuando el LED verde se apaga y se encienden en secuencia el LED amarillo y rojo, es necesario cargar las baterías.
  - Cuando se enciende el LED amarillo la autonomía de la máquina es de unos minutos (variables en función de las características de la batería utilizada).
  - Cuando se enciende el LED rojo la autonomía está agotada: después de unos segundos se paran automáticamente los cepillos/portafiltros y se levanta el cabezal. Funcionan sólo el sistema de aspiración y el sistema de tracción, sólo para poder secar eventuales partes del suelo mojado y llevar la máquina en el lugar de recarga.

**¡ADVERTENCIA!**

*Si se insiste en usar la máquina con las baterías descargadas, las baterías se pueden dañar y su vida útil se acorta.*

**NOTA**

*Si el sistema de tracción de la máquina no se puede utilizar más, para desplazarla, consultar el párrafo Desplazamiento de la máquina mediante empuje/remolque.*

**VACIADO DE LOS DEPÓSITOS**

Un sistema de cierre automático de flotador (27) bloquea el sistema de aspiración cuando el depósito del agua de recuperación (19) está lleno.

Es posible darse cuenta del bloqueo del sistema de aspiración porque el ruido del motor del sistema de aspiración aumenta.

**¡ADVERTENCIA!**

*Si el sistema de aspiración se apaga de forma accidental (por ejemplo por la intervención prematura del flotador durante un desplazamiento imprevisto de la máquina), para reactivarlo apagarlo pulsando el interruptor (63), luego abrir la tapa (20) y asegurarse de que el flotador al interior de la rejilla (27) haya bajado hasta el nivel del agua; por último cerrar la tapa (20) y reactivar el sistema de aspiración pulsando el interruptor (63).*

Cuando el depósito del agua de recuperación (19) está lleno, vaciarlo según el procedimiento siguiente.

**Vaciado del depósito del agua de recuperación**

1. Parar la máquina soltando el pedal (4).
2. Levantar el cabezal portacepillos/portafiltros y la boquilla pulsando el interruptor (67).
3. Llevar la máquina en el área de eliminación designada.
4. Vaciar el depósito del agua de recuperación mediante el tubo (24).
5. Quitar el contenedor con rejilla de recogida de residuos (26), vaciarlo y limpiarlo con agua limpia. Montarlo en el tubo de aspiración dentro del depósito.
6. Al final del trabajo, enjuagar el depósito con agua limpia.

**Vaciado del depósito de la solución detergente/agua limpia**

7. Llevar a cabo los pasos de 1 a 3.
8. Tomar el adaptador (45) que se encuentra en el alojamiento dentro del compartimiento de las baterías.
9. Montar el adaptador (A, Fig. 5) sobre el tubo de aspiración de la boquilla (B), luego introducirlo en el grifo de descarga (C).
10. Colocar la llave de encendido (58) en la posición "I" y activar el sistema de aspiración con el interruptor (63).
11. Abrir el grifo de descarga (C) para permitir el vaciado del depósito (22).  
El grifo (C) está abierto cuando está en la posición (D) con respecto al grifo y está cerrado cuando está en la posición (E).
12. Cuando la operación está acabada, apagar el sistema de aspiración y vaciar el depósito del agua de recuperación (19) mediante el tubo (24).
13. Cuando el trabajo está acabado, cerrar el grifo de descarga (C), desmontare el adaptador (A) y reinstalar el tubo de aspiración (B) en la boquilla (30).

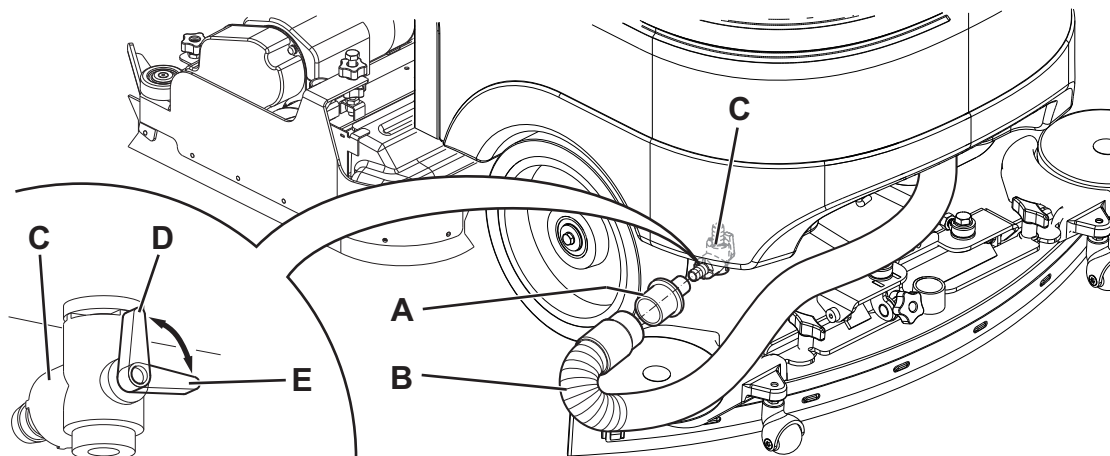


Figura 5

P100366

**Vaciado del contenedor de residuos de los cepillos cilíndricos (sólo para cabezal portacepillos cilíndricos)**

14. Parar la máquina.
15. Con el cabezal portacepillos cilíndricos bajado, quitar el contenedor de residuos (F, Fig. 2).
16. Vaciar y limpiar el contenedor (F), luego instalarlo en su soporte.

**DESPUÉS DEL USO DE LA MÁQUINA**

Cuando el trabajo está acabado, antes de alejarse de la máquina:

1. Desmontar los cepillos/portafiltros, mediante el procedimiento específico.
2. Vaciar los depósitos (19 y 22) como indicado en el párrafo antecedente.
3. Quitar la boquilla (30) y lavarla con agua caliente. Abrir la tapa del depósito del agua de recuperación (20) y colgar la boquilla al depósito usando el gancho relacionado (15).
4. Efectuar las operaciones de mantenimiento necesarias después del uso de la máquina (véase el capítulo Mantenimiento).
5. Tener la máquina en un lugar seco y limpio, con los cepillos/portafiltros y la boquilla levantados o desmontados.

**DESPLAZAMIENTO DE LA MÁQUINA MEDIANTE EMPUJE/REMOLQUE**

Cuando no es posible utilizar el sistema de tracción, (por ejemplo en caso de falta de baterías, baterías descargadas, etc.) para desplazar la máquina mediante empuje/remolque, es necesario desbloquear el freno electromagnético tirando de la palanca (7) y bloqueándola con un distanciador.

Después del desplazamiento, quitar el distanciador de la palanca (7) para volver a activar el freno electromagnético.

**¡ATENCIÓN!**

*Si tras el desplazamiento de la máquina mediante empuje/remolque, la palanca (7) no se desbloquea, el freno electromagnético de la máquina se queda desactivado.*

**¡ATENCIÓN!**

*Non poner en marcha la máquina si la palanca (7) está en posición de freno electromagnético desbloqueado. Para mayor seguridad, se recomienda desbloquear el freno electromagnético sólo durante el tiempo necesario para desplazar la máquina manualmente.*

**PERIODO DE LARGA INACTIVIDAD DE LA MÁQUINA**

1. Si se piensa que la máquina no va a ser utilizada durante 30 días o más, es necesario:
2. Llevar a cabo los procedimientos indicados en el párrafo Después del uso de la máquina.
3. Antes de desconectar el conector rojo (9) de la batería efectuar los procedimientos siguientes:
  - Abrir la tapa (20), el tapón (23) y controlar que los depósitos (19 y 22) estén vacíos, si no vaciarlos.
  - Tener el conjunto depósito del agua de recuperación (19) levantado mediante el pie de soporte (25).

**PRIMER PERIODO DE USO**

Después de las primeras 8 horas, controlar que los elementos de fijación y conexión de la máquina estén correctamente instalados. Controlar que las partes visibles no estén dañadas y que no haya pérdidas de líquidos.

**MANTENIMIENTO**

Un mantenimiento cuidadoso y continuo garantiza la vida útil y la seguridad de funcionamiento de la máquina. El esquema siguiente resume el mantenimiento programado. Los períodos indicados pueden variar según las condiciones de trabajos, que el encargado del mantenimiento debe establecer.



**¡ATENCIÓN!**

**Las operaciones deben efectuarse con la máquina apagada y con las baterías desconectadas. Además, leer cuidadosamente todas las instrucciones del capítulo Seguridad.**

Todas las operaciones de mantenimiento programado o extraordinario deben ser efectuadas por el personal calificado o por un Centro de asistencia autorizado.

En este manual, después del esquema de mantenimiento, se describen sólo los procedimientos de mantenimiento más sencillos y frecuentes.



**NOTA**

Para las operaciones de mantenimiento no indicadas en el esquema de mantenimiento programado y las operaciones de mantenimiento extraordinario, véase el Manual de asistencia disponible en los Centros de asistencia.

**ESQUEMA DE MANTENIMIENTO PROGRAMADO**

Operación	Diaria, después del uso de la máquina	Semanaria	Semestral	Anual
Carga de las baterías				
Limpieza de la boquilla				
Limpieza de los cepillos/filtros				
Limpieza de los depósitos, de la rejilla de recogida residuos, de la rejilla de aspiración con flotador y control de la guarnición de la tapa				
Limpieza y expurgación del sistema EcoFlex™				
Control y sustitución de los cauchos de la boquilla				
Control de los flaps laterales (sólo para 28" Cyl.)				
Limpieza del filtro de la solución detergente				
Limpieza del filtro del motor del sistema de aspiración				
Control del nivel del líquido de las baterías (WET)				
Control de la torsión de tuercas y tornillos			(1)	
Control y ajuste de las correas de transmisión entre motores y cepillos cilíndricos (sólo para 28" Cyl.)			(2)	
Control del freno electromagnético			(2)	
Control o sustitución de las escobillas de carbón de los motores del cepillo/portafiltro				(2)
Control o sustitución de las escobillas de carbón del motor del sistema de aspiración				(2)
Control o sustitución de las escobillas de carbón del motor del sistema de tracción				(2)

(1) Y después de las primeras 8 horas de trabajo.

(2) Mantenimiento de competencia de un Centro de asistencia autorizado Advance.

**CONTROL DE LAS HORAS DE TRABAJO DE LA MÁQUINA**

- Introducir la llave de encendido (58) y colocarla en la posición "I".
- Durante los primeros 2 segundos de funcionamiento de la máquina, el visualizador (71) indica el número total de las horas de trabajo (lavado/secamiento) efectuadas por la máquina.  
Colocar la llave de encendido (58) en la posición "0".



## LIMPIEZA DE LA BOQUILLA



NOTA

Para un buen secamiento, la boquilla debe estar limpia y con los cauchos en buenas condiciones.



**¡ADVERTENCIA!**

Durante estas operaciones se recomienda utilizar guantes de trabajo, porque residuos cortantes podrían estar en la boquilla.

1. Llevar la máquina sobre un suelo llano.
2. Introducir la llave de encendido (58) y colocarla en la posición "I".
3. Bajar la boquilla (30) pulsando el interruptor (63).
4. Colocar la llave de encendido (58) en la posición "0".
5. Desconectar el tubo de aspiración (31) de la boquilla.
6. Aflojar las empuñaduras (34) y quitar la boquilla (30).
7. Lavar y limpiar la boquilla. Limpiar especialmente los huecos (A, Fig. 6) y el orificio (B). Controlar que los cauchos delantero (C) y trasero (D) estén en buenas condiciones, que no estén cortados o desgarrados; de lo contrario, sustituirlos.
8. Montar en el orden contrario al desmontaje.

## CONTROL Y SUSTITUCIÓN DE LOS CAUCHOS DE LA BOQUILLA

1. Limpiar la boquilla (Fig. 6) como indicado en el párrafo precedente.
  2. Controlar que el borde (E) del caucho delantero (C) y el borde (F) del caucho trasero (D) apoyen contemporáneamente sobre un plano de comprobación, por toda su longitud; de lo contrario ajustar la altura, como indicado a continuación:
    - Desenganchar el tirante (G), desenganchar el retén (M) y ajustar el caucho trasero (D); luego enganchar el retén y fijar con el tirante.
    - Aflojar las empuñaduras (I) y ajustar el caucho delantero (C), luego apretar las empuñaduras.
  3. Controlar que los cauchos delantero (C) y trasero (D) estén en buenas condiciones, que no estén cortados o desgarrados; de lo contrario, sustituirlos como indicado a continuación. Controlar también que el borde delantero (J) del caucho trasero no esté desgastado; de lo contrario volcar el caucho mismo, llevando en su posición uno de los otros bordes no desgastado. Si todos los bordes están desgastados, sustituir el caucho, mediante el procedimiento siguiente:
    - Quitar el tirante (G), desenganchar el retén (M) y quitar la cinta de sujeción (K), luego sustituir/volcar el caucho trasero (D).
    - Montar el caucho en orden contrario al desmontaje.
    - Desenroscar las empuñaduras (I) y quitar la cinta de sujeción (L), luego sustituir el caucho delantero (C).
    - Montar el caucho en orden contrario al desmontaje.
- Después de la sustitución (o vuelco) de los cauchos, ajustar su altura, como indicado en el paso precedente.
4. Conectar el tubo de aspiración (31) a la boquilla.
  5. Montar la boquilla (30) y enroscar las empuñaduras (34).
  6. Si necesario, ajustar la empuñadura de ajuste del equilibrado (35) de la boquilla.

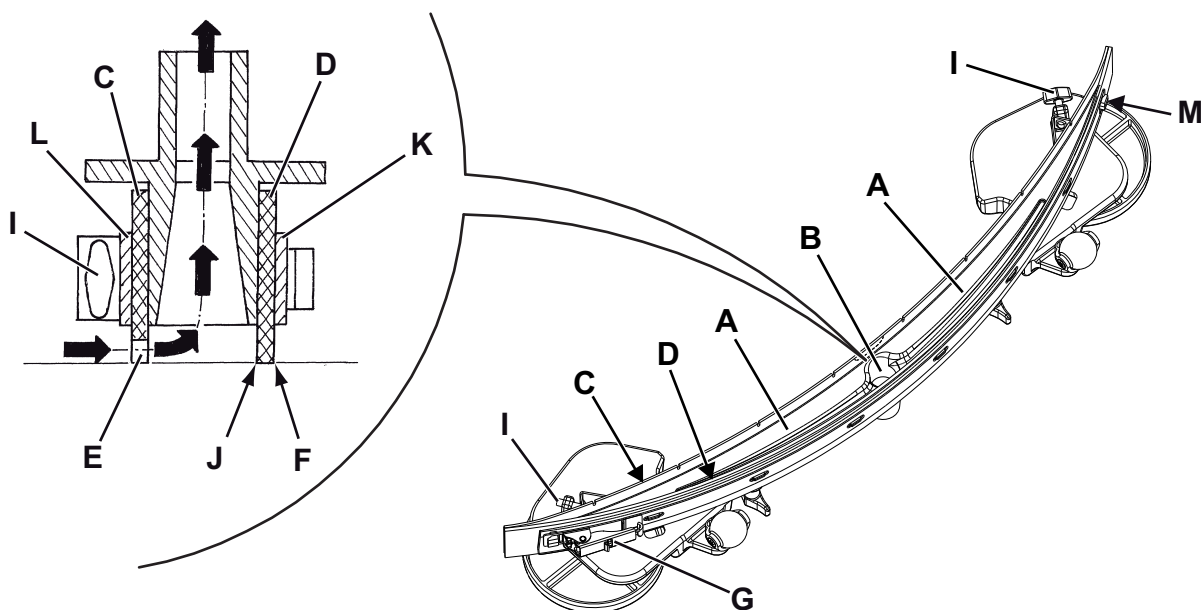


Figura 6

P100367

## LIMPIEZA DE LOS CEPILLOS/CEPILLOS CILÍNDRICOS



### ¡ADVERTENCIA!

*Durante estas operaciones se aconseja utilizar guantes de trabajo, porque residuos cortantes podrían estar en el cepillo.*

1. Quitar los cepillos/filtros de la máquina como indicado en el capítulo Uso.
2. Limpiar y lavar los cepillos con agua y detergente.
3. Controlar que las cerdas no estén dañadas o excesivamente desgastadas; de lo contrario, sustituir los cepillos.

## LIMPIEZA DEL DEPÓSITO DEL AGUA DE RECUPERACIÓN

1. Llevar la máquina en el área de eliminación designada.
2. Colocar la llave de encendido (58) en la posición "0".
3. Abrir la tapa (20).
4. Limpiar y lavar con agua limpia, la tapa (20) y el depósito (19).  
Descargar el agua del depósito mediante el tubo (24).
5. Limpiar la rejilla de aspiración (27), desenganchar los retenes (A, Fig. 7), abrir la rejilla (B) y quitar el flotador (C), luego limpiar con cuidado y volver a instalar.
6. Limpiar el contenedor con rejilla de recogida de residuos (26), desmontar el filtro (G), quitar la tapa (H), luego limpiar con cuidado y reinstalar en el tubo de aspiración.
7. Controlar la integridad de la guarnición (D) de la tapa del depósito.



### NOTA

*La guarnición (D) causa la formación de vacío en el depósito, necesario para la aspiración del agua de recuperación.*

Si necesario, sustituir la guarnición (D), quitándola de su alojamiento (E). Cuando se instala la nueva guarnición, posicionar la unión (F) en el área inferior indicada en la figura.

7. Controlar que toda la superficie perimetral (I) de apoyo de la guarnición (D) no esté dañada y que sea adecuada para la estanqueidad de la guarnición misma.
8. Cerrar la tapa (20).

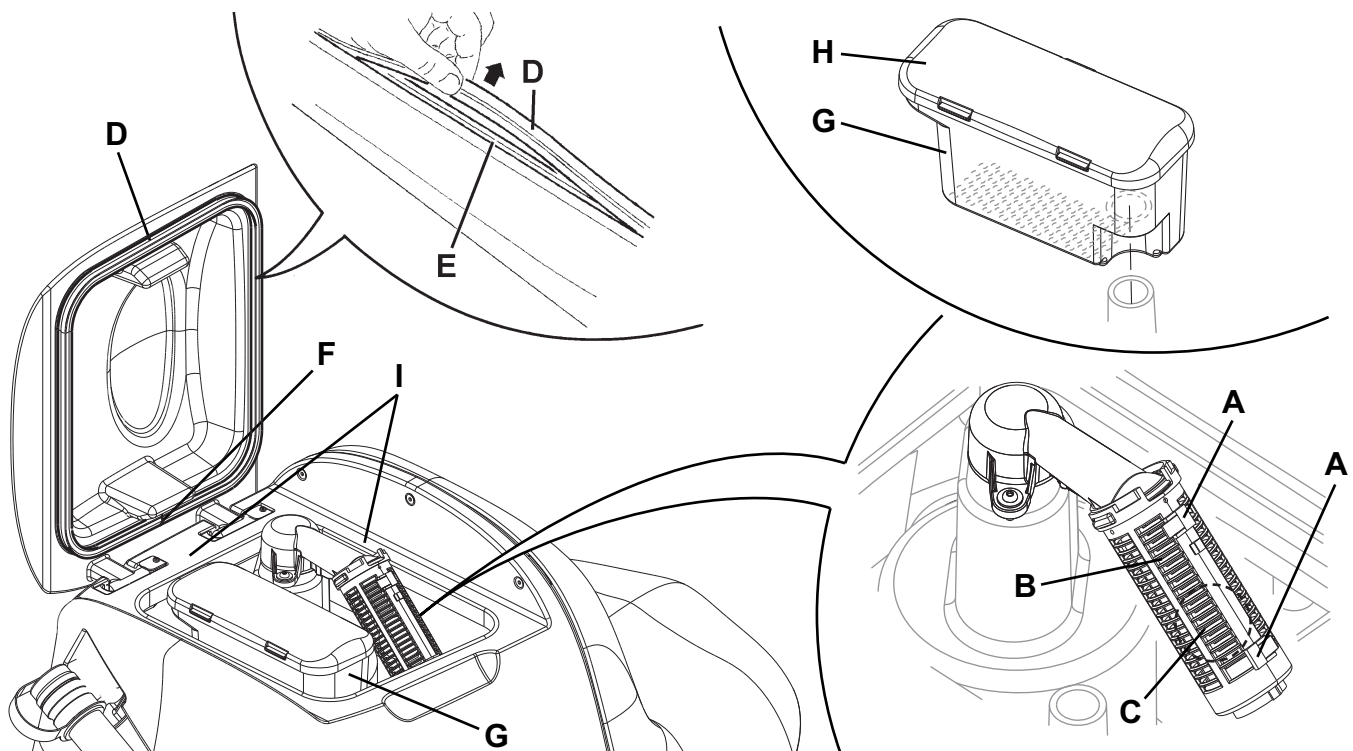


Figura 8

P100368

## CONTROL Y SUSTITUCIÓN DE LOS FLAPS LATERALES (sólo para 28" Cyl.)

### Control

1. Llevar la máquina sobre un suelo llano.
2. Colocar la llave de encendido (58) en la posición "0".
3. En ambos lados de la máquina, aflojar la perilla (A, Fig. 8) y quitar los conjuntos flap lateral (B).
4. Lavar y limpiar los flaps.
5. Controlar que el borde inferior (C) de los flaps:
  - apoye sobre un suelo llano por toda su longitud;
  - no esté cortado o desgarrado;
  - tenga el canto interior (D) no desgastado;
 de lo contrario girar o sustituir los flaps según el procedimiento siguiente.

### Rotación o sustitución

6. Quitar las tuercas de mariposa (E) y quitar la cinta de sujeción (F).
7. Quitar el caucho (G) del flap y, si posible, girar el caucho mismo llevando en lugar del canto inferior interior (D) uno de los otros cantos aún no desgastados. Si todos los cantos están desgastados, sustituir el caucho.

### Montaje y ajuste de la altura

8. Montar los cauchos (G) y el conjunto flap (B) en el orden contrario al desmontaje.
9. Poner en marcha la máquina y bajar el cabezal portacepillos cilíndricos (28), luego controlar que los cauchos (G) de los flaps laterales:
  - apoyen ligeramente al suelo;
  - recojan la solución detergente.
10. Si necesario parar la máquina y ajustar la altura de los flaps aflojando la perilla (A) y girando las perillas (H).
11. Una vez efectuado el ajuste, apretar la perilla (A).

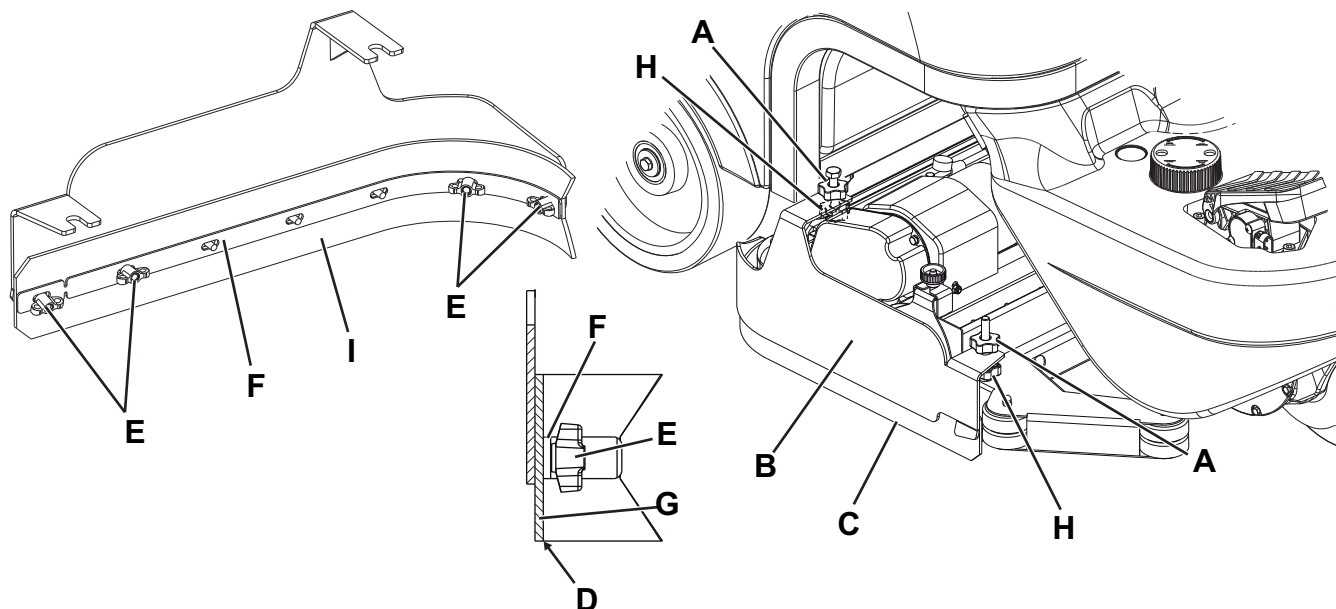


Figura 8

P100369

### LIMPIEZA DEL FILTRO DEL MOTOR DEL SISTEMA DE ASPIRACIÓN

1. Llevar la máquina sobre un suelo llano.
2. Colocar la llave de encendido (58) en la posición "0".
3. Abrir la tapa (20) y controlar que el depósito del agua de recuperación (19) esté vacío, si no vaciarlo mediante el tubo de descarga (24).
4. Cerrar la tapa (20).
5. Abrir con cuidado el conjunto depósito (44).
6. Controlar que el filtro (37) esté limpio. Si necesario, limpiarlo con agua y aire comprimido, luego volver a instalarlo.

### LIMPIEZA DEL FILTRO DE LA SOLUCIÓN DETERGENTE

1. Llevar la máquina sobre un suelo llano.
2. Colocar la llave de encendido (58) en la posición "0".
3. Cerrar el grifo de la solución detergente (A, Fig. 9) que se encuentra bajo la máquina, detrás de la rueda trasera derecha. El grifo (A) está cerrado cuando está en la posición (B) con respecto al grifo y está abierto cuando está en la posición (C).
4. Quitar la tapa transparente (D) con la guarnición (E), luego quitar la rejilla filtrante (F) bajo de la máquina, delante de la rueda trasera derecha. Limpiarlas y montarlas en el soporte (G).



NOTA

Posicionar correctamente la rejilla filtrante (F) en el alojamiento del soporte (G).

5. Abrir el grifo (A).

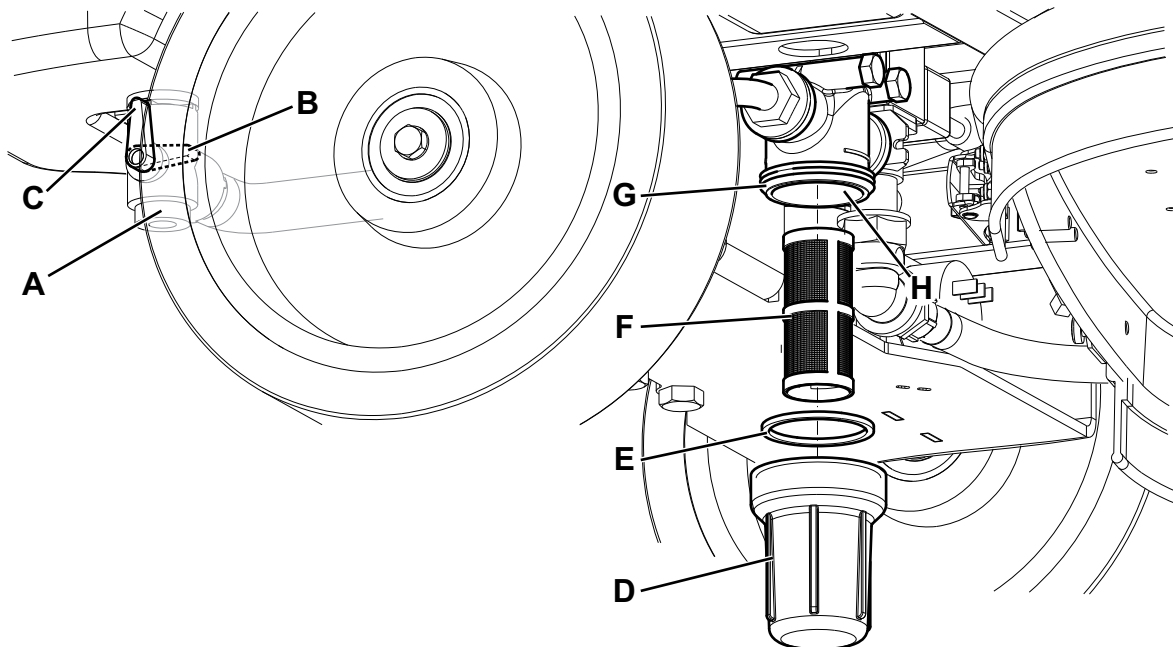


Figura 9

P100370

## CARGA DE LAS BATERÍAS



### NOTA

Cargar las baterías cuando se enciende el LED amarillo o rojo (62) o al final de cada trabajo.



### ¡ADVERTENCIA!

Si se mantienen las baterías cargadas, su durabilidad aumenta.



### ¡ADVERTENCIA!

No dejar las baterías descargadas durante mucho tiempo, porque su durabilidad podría reducirse. Controlar la carga de las baterías por lo menos una vez por semana.



### ¡ATENCIÓN!

Cargando las baterías se produce gas hidrógeno muy explosivo. Cargar las baterías sólo en áreas bien ventiladas y lejos de llamas libres.

No fumar cuando se cargan las baterías.

El conjunto de los depósitos debe quedarse levantado mediante el pie de soporte (25) mientras que se cargan las baterías.



### ¡ATENCIÓN!

Durante la carga tener mucho cuidado que el líquido de las baterías no sobresalga. Este líquido es corrosivo. En caso de contacto con la piel o los ojos lavar a conciencia con agua y consultar un médico.

### Operaciones preliminares

- Llevar la máquina sobre un suelo llano.
- Abrir la tapa (20) y controlar que el depósito (19) esté vacío, si no vaciarlo mediante el tubo de descarga (24).
- Cerrar la tapa (20).
- Abrir con cuidado el conjunto depósito (44).
- (Sólo para baterías WET) controlar el nivel de electrolito de las baterías (39). Si necesario, desenroscar los tapones (40) y rellenar.  
Luego, cerrar los tapones (40) y, si necesario, limpiar la superficie superior de las baterías.

### Carga de las baterías

- Conectar el cable (41) del cargador de baterías a la red eléctrica [la tensión y la frecuencia de la red deben ser compatibles con los valores del cargador de baterías, indicados en la placa del número de serie de la máquina].



### NOTA

Cuando el cargador de baterías está conectado a la red eléctrica, todas las funciones de la máquina se paran automáticamente.

Si el LED rojo (62) está encendido indica que el cargador está cargando las baterías.

Si el LED amarillo (62) está encendido indica que el cargador está acabando de cargar las baterías.

- Cuando el LED verde se enciende, el ciclo de carga de las baterías está acabado.
- Una vez efectuada la carga, desconectar el cable (41) del cargador de baterías de la red eléctrica y engancharlo a su alojamiento detrás del cargador de baterías.
- Bajar con cuidado el conjunto depósito (44).
- La máquina está lista para el uso.



### NOTA

Para informaciones suplementarias sobre el funcionamiento del cargador de baterías (16) véase el manual relacionado.

## LIMPIEZA DEL DEPÓSITO DEL DETERGENTE

(Para máquinas con sistema EcoFlex™)

Limpiar el depósito del detergente (42) efectuando el procedimiento siguiente:

1. Llevar la máquina en el área de eliminación designada.
2. Abrir la tapa (20) y asegurarse de que el depósito del agua de recuperación (19) esté vacío, si no vaciarlo mediante el tubo de descarga (24). Cerrar la tapa (20).
3. Abrir con cuidado el conjunto depósito (44).
4. Desenroscar el tapón y desconectar el tubo (A, Fig. 10) del depósito (B).
5. Quitar el depósito.
6. Lavar y limpiar el depósito en el área de eliminación designada.
7. Volver a colocar el depósito (42) en su alojamiento como en la figura y conectarlo al tubo (A).
8. Después del vaciado del depósito del detergente puede ser necesario expurgar el sistema EcoFlex™ (véase el procedimiento en el párrafo siguiente).

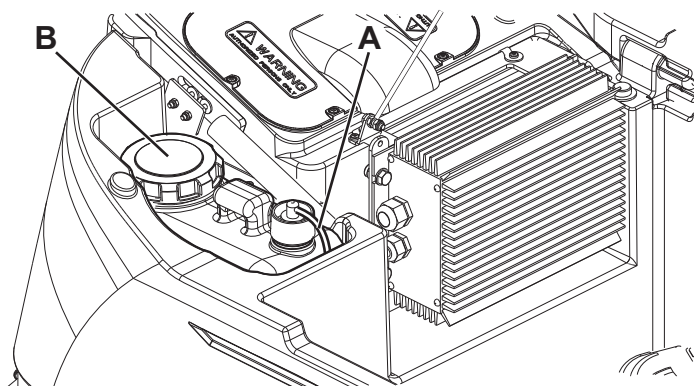


Figura 10

P100371

## EXPURGACIÓN DEL SISTEMA ECOFLEX™

(Para máquinas con sistema EcoFlex™)

1. Limpiar el depósito del detergente como indicado en el párrafo anterior. Para quitar los residuos de detergente en las tuberías y en la bomba del detergente, efectuar el procedimiento siguiente.
2. Poner en marcha la máquina colocando la llave de encendido (58) en la posición "I".
3. Pulsar el interruptor (53). Controlar que el LED (54) del interruptor se encienda.
4. Pulsar contemporáneamente los interruptores (53 y 59), hasta que el LED (54) empiece a parpadear (después de unos 5 segundos).
5. Soltar los interruptores y esperar que el LED (54) acabe de parpadear y que el sistema de aspiración se accione.
6. Aspirar los residuos de detergente que han quedado en el suelo.
7. Colocar la llave de encendido (58) en la posición "0".
8. Levantar el depósito (19), luego controlar que el tubo del depósito del detergente (42) esté vacío, de lo contrario repetir los pasos de 3 a 7.



### NOTA

*El ciclo de expurgación dura unos 30 segundos, después de que se activa automáticamente la función de aspiración que permite eliminar los residuos de detergente.*

*La expurgación se puede efectuar aun si el depósito del detergente (42) está lleno de agua. De esta forma, el lavado del sistema sería total.*

*Es necesario efectuar esta expurgación cuando el sistema EcoFlex™ está muy sucio/incrustado después de inactividad/falta de limpieza de la máquina durante largos períodos.*

*La expurgación se puede efectuar también para acelerar el llenado del tubo de aspiración del detergente cuando el depósito (42) está lleno y el sistema está todavía vacío.*

*La expurgación, si necesaria, puede efectuarse varias veces consecutivamente.*

## CONTROL/SUSTITUCIÓN DE LOS FUSIBLES



### NOTA

*Todos los circuitos eléctricos de la máquina están protegidos por dispositivos electrónicos de auto-reactivación. Los fusibles de seguridad se activan sólo en caso de avería grave.*

*Por lo tanto se recomienda que la sustitución de los fusibles sea efectuada sólo por el personal cualificado.*

*Consultar el Manual de asistencia disponible en los revendedores Advance.*

## **FUNCIONES DE SEGURIDAD**

La máquina está equipada de las siguientes funciones de seguridad.

### **PULSADOR DE EMERGENCIA**

Se encuentra en una posición (8) fácilmente accesible por el operador. Pulsarlo en caso de necesidad inmediata para para la máquina y todas sus funciones.

Para reactivar las funciones de la máquina levantar el conjunto depósitos (44) y reconectar el conector de las baterías (9).

### **SISTEMA DE SEGURIDAD ANTIDERRAPE**

Disminuye, si necesario, la velocidad durante los virajes y en caso de inclinación lateral de la máquina para evitar derrape imprevisto y aumentar la estabilidad de la máquina en cada condición.



### **MICROINTERRUPTOR DEL ASIENTO DEL CONDUCTOR**

Se encuentra al interior del asiento de conducción y no permite el funcionamiento del sistema de tracción de la máquina cuando el operador no está sentado en el asiento de conducción.

### **FRENO ELECTROMAGNÉTICO**

Está integrado en la rueda delantera y mantiene la máquina frenada cuando está apagada o parada.

## BÚSQUEDA AVERÍAS

AVERÍA	PROBABLE CAUSA	SOLUCIÓN
Los motores no funcionan; ningún LED se enciende.	El conector de las baterías está desconectado.	Conectar.
	Las baterías están completamente descargadas.	Cargar las baterías.
La máquina no se mueve y el visualizador (71) muestra el código de error: 	La máquina fue encendida con la llave de encendido teniendo pisado el pedal.	Soltar el pedal de marcha. Si el problema sigue existiendo, contactar con un Centro de asistencia autorizado.
Cuando se pone en marcha la máquina, el LED (68) del interruptor (67) parpadea y los cepillos no funcionan.	La máquina fue apagada sin levantar el cabezal portacepillos.	Esperar que el cabezal esté levantado antes de activar de nuevo los cepillos pulsando el interruptor.
Los cepillos no funcionan; el LED rojo parpadea.	Las baterías están descargadas.	Cargar las baterías.
Los 3 LED (62) parpadean simultáneamente.	Sobrecarga de los motores de los cepillos.	Usar cepillos menos duros o de tipo diferente o no trabajar con presión suplementaria activada.
	Cuerpos extraños (hilos enrollados, etc.) que puedan frenar la rotación de los cepillos.	Limpiar los cubos de los cepillos.
El visualizador (71) muestra un código de error tipo:  donde "00" se sustituye por un código diferente de "t4".	Condición de alarma del sistema electrónico de control de la máquina.	Apagar y volver a encender la máquina. Si el problema sigue existiendo, contactar con un Centro de asistencia autorizado.
La aspiración de agua sucia es insuficiente.	El depósito del agua de recuperación está lleno.	Vaciar el depósito.
	La rejilla de aspiración está obstruida o el flotador está cerrado.	Limpieza de la rejilla de aspiración.
	El contenedor con rejilla de recogida de residuos está obstruido.	Limpiar.
	El tubo está desconectado de la boquilla	Conectar.
	La boquilla está sucia o los cauchos de la boquilla están desgastados o dañados.	Limpiar la boquilla o volcar/sustituir los cauchos.
	La tapa del depósito no está correctamente cerrada, o la guarnición está desgastada.	Cerrar correctamente la tapa o limpiar/sustituir la guarnición.
El flujo de la solución detergente es insuficiente.	El depósito de la solución detergente está vacío.	Llenar.
	El filtro de la solución detergente está sucio	Limpiar el filtro.
	Depósito del sistema EcoFlex™ sucio/ incrustado.	Limpiar.
La boquilla causa estriados en el suelo.	Residuos bajo de los cauchos de la boquilla.	Quitar los residuos.
	Los cauchos de la boquilla están desgastados, astillados o desgarrados.	Volcar o sustituir los cauchos.
	La boquilla no fue equilibrada mediante la empuñadura.	Ajustar la boquilla.



**NOTA**

*La máquina no puede funcionar sin el cargador de baterías.*

*Si el cargador de baterías no funciona correctamente, contactar con un Centro de asistencia autorizado.*

Para explicaciones o informaciones, contactar con los Centros de asistencia Advance.

## ELIMINACIÓN

Eliminar la máquina en un demoleedor calificado.

Antes de eliminar la máquina es necesario quitar y separar los siguientes materiales y eliminarlos según las actuales normas de higiene ambiental:

- Baterías
- Cepillos
- Tubos y componentes de plástico
- Componentes eléctricos y electrónicos (\*)

(\*) En particular, para la eliminación de componentes eléctricos y electrónicos, contactar con Advance.



## ÍNDICE

<b>INTRODUÇÃO</b> .....	<b>2</b>
OBJECTIVO E CONTEÚDO DO MANUAL .....	2
DESTINATÁRIOS .....	2
CONSERVAÇÃO DO MANUAL .....	2
DADOS DE IDENTIFICAÇÃO .....	2
OUTROS MANUAIS DE REFERÊNCIA .....	2
PEÇAS DE SUBSTITUIÇÃO E MANUTENÇÃO .....	2
MODIFICAÇÕES E MELHORIAS .....	2
CAPACIDADE DE OPERAÇÃO .....	2
CONVENÇÕES .....	2
<b>DESEMBALAGEM/ENTREGA</b> .....	<b>3</b>
<b>SEGURANÇA</b> .....	<b>3</b>
SÍMBOLOS UTILIZADOS .....	3
INSTRUÇÕES GERAIS .....	4
<b>DESCRIÇÃO DA MÁQUINA</b> .....	<b>6</b>
ESTRUTURA DA MÁQUINA .....	6
VOLANTE COM PAINEL DE CONTROLO E COMANDOS .....	8
ACESSÓRIOS / OPCIONAIS .....	9
CARACTERÍSTICAS TÉCNICAS .....	9
DIAGRAMA ELÉCTRICO .....	10
<b>UTILIZAÇÃO</b> .....	<b>12</b>
CONTROLO / PREPARAÇÃO DAS BATERIAS NUMA MÁQUINA NOVA .....	12
INSTALAÇÃO DAS BATERIAS E DEFINIÇÃO DO TIPO DE BATERIAS (WET OU GEL/AGM) .....	13
ANTES DO ARRANQUE .....	14
ARRANQUE E PARAGEM DA MÁQUINA .....	17
MÁQUINA EM OPERAÇÃO (LAVAGEM/SECAGEM) .....	18
ESVAZIAMENTO DO RESERVATÓRIO .....	20
APÓS UTILIZAÇÃO DA MÁQUINA .....	21
MOVIMENTO DE EMPURRAR/PUXAR A MÁQUINA .....	21
PRIMEIRO PERÍODO DE UTILIZAÇÃO .....	22
<b>MANUTENÇÃO</b> .....	<b>22</b>
PLANO DE MANUTENÇÃO PROGRAMADA .....	22
CONTROLO DAS HORAS DE TRABALHO DA MÁQUINA .....	22
LIMPEZA DO LIMPADOR .....	23
CONTROLO E SUBSTITUIÇÃO DAS BORRACHAS DO LIMPADOR .....	23
LIMPEZA DAS ESCOVAS COM DISCO OU COM ROLO .....	24
LIMPEZA DO RESERVATÓRIO DA ÁGUA DE RECUPERAÇÃO .....	24
CONTROLO E SUBSTITUIÇÃO DOS FLAPS LATERAIS (unicamente para 28" Cyl.) .....	25
LIMPEZA DO FILTRO DO MOTOR DO SISTEMA DE ASPIRAÇÃO .....	26
LIMPEZA DO FILTRO DA SOLUÇÃO DETERGENTE .....	26
SCIBCARREGAMENTO DAS BATERIAS .....	26
LIMPEZA DO RESERVATÓRIO DO DETERGENTE .....	28
PURGA DO SISTEMA ECOFLEX™ .....	28
CONTROLO / SUBSTITUIÇÃO DOS FUSÍVEIS .....	28
<b>FUNÇÕES DE SEGURANÇA</b> .....	<b>29</b>
BOTÃO DE EMERGÊNCIA .....	29
SISTEMA DE SEGURANÇA ANTI-PATINAGEM .....	29
MICROINTERRUPTOR DO ASSENTO DO CONDUTOR .....	29
TRAVÃO ELECTROMAGNÉTICO .....	29
<b>RESOLUÇÃO DE PROBLEMAS</b> .....	<b>30</b>
<b>FIM DE VIDA</b> .....	<b>30</b>

## INTRODUÇÃO



NOTA

Os números indicados entre parêntesis referem-se aos componentes ilustrados no capítulo Descrição da máquina.

### OBJECTIVO E CONTEÚDO DO MANUAL

Este manual tem como objectivo fornecer ao operador todas as informações necessárias para poder utilizar a máquina da maneira mais adequada, autónoma e segura possível. O manual compreende informações inerentes à parte técnica, à segurança, ao funcionamento, ao desligamento da máquina, à manutenção, às peças de substituição e ao fim de vida.

Antes de efectuar qualquer operação na máquina, os operadores e os técnicos qualificados devem ler cuidadosamente as instruções contidas no presente manual. Em caso de dúvidas sobre a correcta interpretação das instruções, contacte a Advance para obter os esclarecimentos necessários.

### DESTINATÁRIOS

O presente manual destina-se quer ao operador, quer aos técnicos qualificados de manutenção da máquina.

Os operadores não devem executar intervenções reservadas aos técnicos qualificados. Advance não se responsabiliza por danos resultantes do não cumprimento desta proibição.

### CONSERVAÇÃO DO MANUAL

As instruções de uso de utilizador deve ser conservado próximo da máquina, dentro de seu estojo, protegido de líquidos e tudo mais que possa comprometer seu estado de legibilidade.

### DADOS DE IDENTIFICAÇÃO

O número de série e o modelo da máquina estão indicados na placa (21) situada na coluna de direcção.

O ano de produção da máquina está indicado na declaração de conformidade, além de ser indicado pelos primeiros dois dígitos do número de série da própria máquina.

Estas informações são necessárias quando são encomendadas peças de substituição para a máquina. Utilize o espaço seguinte para anotar os dados de identificação da máquina.

Modelo da MÁQUINA .....
Número de série da MÁQUINA .....

### OUTROS MANUAIS DE REFERÊNCIA

– Manual do carregador de bateria electrónico (deve ser considerado parte integrante do presente manual)

Além disso, encontram-se disponíveis os seguintes manuais:

– Manual de assistência (pode ser consultado nos Centros de assistência da Advance)

– Catálogo das peças de substituição (fornecido com a máquina)

### PEÇAS DE SUBSTITUIÇÃO E MANUTENÇÃO

Em caso de necessidade relativa à utilização, à manutenção e à reparação, consulte o pessoal qualificado ou directamente os Centros de assistência Advance. Utilize sempre peças de substituição e acessórios originais.

Para assistência e para encomendar peças de substituição e acessórios, contacte a Advance, especificando sempre o modelo e o número de série.

### MODIFICAÇÕES E MELHORIAS

A Advance procura constantemente aperfeiçoar os produtos e reserva-se o direito de efectuar modificações e melhorias, quando necessário, sem a obrigação de modificar as máquinas vendidas anteriormente.

Fica estipulado que qualquer modificação e/ou acréscimo de acessórios deve ser explicitamente aprovada e realizada pela Advance.

### CAPACIDADE DE OPERAÇÃO

A presente máquina de lavar e secar foi concebida e fabricada para a limpeza (lavagem e secagem) de pisos lisos e sólidos, em espaços públicos e industriais, em condições de comprovada segurança, por parte de um operador qualificado.

A máquina de lavar e secar não é adequada para a lavagem de tapetes ou carpetes.

### CONVENÇÕES

Todas as referências de para a frente e para trás, dianteiro e traseiro, direito e esquerdo indicadas neste Manual devem ser consideradas como se referindo ao operador sentado na posição de condução no assento (17).

## DESEMBALAGEM/ENTREGA

Para desembalar a máquina, siga atentamente as instruções presentes na embalagem.

Para deslocar manualmente a máquina, consulte o parágrafo Movimentar a máquina empurrando/puxando.

Quando a máquina for entregue, verifique cuidadosamente se a embalagem e a máquina não tenham sofrido danos durante o transporte. Se os danos forem evidentes, conserve a eventual embalagem de modo que possa ser visionada pela empresa de entregas responsável. Contacte imediatamente a empresa de entregas para preencher um pedido de indemnização pelos danos. Verifique que o fornecimento da máquina corresponde à seguinte lista:

- Documentação técnica:
  - Instruções de uso da máquina de lavar e secar
  - Manual do carregador de bateria electrónico
  - Catálogo das peças de substituição da máquina de lavar e secar
- N.º 2 fusíveis lamelares
- N.º 2 calhas para o alojamento das baterias de 6 V

## SEGURANÇA

São utilizados os seguintes símbolos para assinalar eventuais situações de perigo. Leia sempre estas informações com atenção e tome as devidas precauções para proteger as pessoas e os objectos.

A colaboração do operador é essencial para evitar acidentes. Nenhum programa de prevenção de acidentes pode ser eficaz sem a total colaboração da pessoa directamente responsável pelo funcionamento da máquina. A maioria dos acidentes, que podem ocorrer numa fábrica, no trabalho ou nas deslocações, deve-se ao incumprimento das mais elementares normas de segurança. Um operador atento e prudente é a melhor garantia contra os acidentes e indispensável para implementar qualquer programa de prevenção.

### SÍMBOLOS UTILIZADOS



**PERIGO!**

*Indica um perigo com risco, até mortal, para o operador.*



**ATENÇÃO!**

*Indica um risco potencial de acidente para as pessoas ou de danos para os objectos.*



**ADVERTÊNCIA!**

*Indica uma advertência ou uma nota sobre funções chave ou sobre funções úteis. Preste a máxima atenção aos blocos de texto indicados com esse símbolo.*



**NOTA**

*Indica uma nota sobre funções chave ou sobre funções úteis.*



**CONSULTA**

*Indica a necessidade de consultar as instruções de uso antes de executar qualquer operação.*

## INSTRUÇÕES GERAIS

Encontram-se descritas a seguir advertências e atenções específicas para indicar os potenciais perigos de danos à máquina e às pessoas.



### PERIGO!

- *Antes de executar qualquer operação de limpeza, manutenção, substituição de peças ou conversão noutras funções, o conector da bateria deve ser desligado e a chave do interruptor geral (ou de ignição) deve ser removida.*
- *Esta máquina deve ser utilizada apenas por pessoas que tenham tido formação apropriada.*
- *Manter faísca, chamas e materiais incandescentes, longe das baterias. Gases explosivos são expelidos durante o uso normal.*
- *Quando estiver a trabalhar próximo de componentes eléctricos, tire todas as jóias.*
- *Não trabalhe sob a máquina levantada, sem os suportes de elevação fixos de segurança adequados.*
- *Não opere com esta máquina em espaços onde estejam presentes poeiras, líquidos ou vapores nocivos, perigosos, inflamáveis e/ou explosivos: esta máquina não é adequada para recolher poeira perigosa.*
- *O carregamento das baterias produz gás hidrogénio, altamente explosivo. Mantenha o grupo dos reservatórios aberto durante todo o ciclo de recarga das baterias e efectua a operação apenas em áreas bem ventiladas e longe de chamas livres.*



### ATENÇÃO!

- *Antes de efectuar qualquer intervenção de manutenção/reparação, leia cuidadosamente todas as instruções relativas à manutenção/reparação.*
- *Antes de utilizar o carregador de bateria, certifique-se de que a frequência e a tensão indicadas na placa do número de série da máquina coincidam com os dados de rede.*
- *Não utilize o cabo do carregador de bateria para tirar ou transportar a máquina, nem o utilize como se fosse uma pega. Não deixe que o cabo do carregador de bateria seja preso numa porta, nem o puxe em superfície ou ângulos afiados. Não passe com a máquina por cima do cabo do carregador de bateria.*
- *Mantenha o cabo do carregador de bateria afastado de superfícies quentes.*
- *Não utilize a máquina se o cabo do carregador de bateria e a ficha estiverem danificados. Se a máquina não funcionar correctamente, está danificada, ficou ao ar livre ou caiu na água, leve-a para um centro de assistência.*
- *Para reduzir o risco de incêndio, choques eléctricos ou lesões, não deixe a máquina ligada à rede eléctrica sem vigilância. Antes de efectuar a manutenção, desligue o cabo do carregador de bateria da rede eléctrica.*
- *Não fume durante o carregamento das baterias.*
- *Para evitar a utilização da máquina sem autorização, remova a chave de ignição.*
- *Se a máquina for deixada sem vigilância, deve ser bloqueada para impedir o movimento involuntário.*
- *Proteja sempre a máquina do sol, chuva e outras intempéries seja em estado de funcionamento ou parada. Mantenha a máquina num lugar coberto, num ambiente seco: esta máquina destina-se apenas para utilização a seco e não deve ser utilizada ou colocada no exterior em condições de humidade.*
- *Antes de utilizar a máquina, feche todas as portinholas e/ou tampas.*
- *Não deixe a máquina ser utilizada como se fosse um brinquedo. Preste em particular atenção quando a utilizar com crianças por perto.*
- *Não utilize para fins diferentes dos que são indicados neste Manual. Utilize unicamente os acessórios recomendados pela Advance.*
- *Tome as devidas precauções de modo que cabelos, jóias, partes das roupas soltas não fiquem presas nas partes em movimento da máquina.*
- *Não utilize a máquina em superfícies inclinadas.*
- *Não incline a máquina a um ângulo superior à marca existente na máquina para não comprometer a estabilidade.*

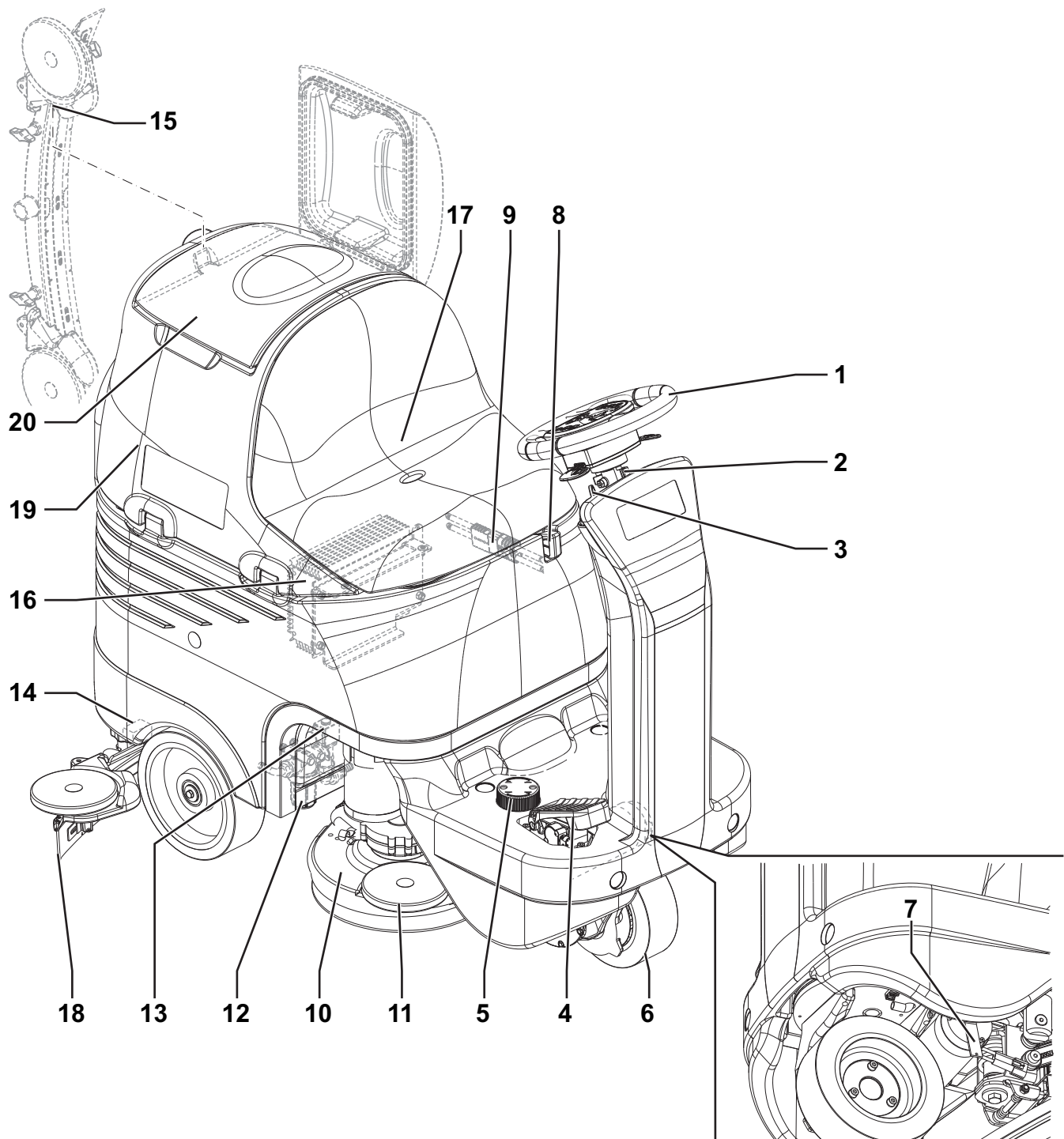
**ATENÇÃO!**

- Não utilize a máquina em espaços particularmente poeirentos.
- Utilize a máquina unicamente em áreas suficientemente iluminadas.
- Se a máquina for utilizada na presença de outras pessoas, além do operador, será necessária a luz rotativa e o sinal sonoro de marcha-atrás (opcionais).
- Durante a utilização da máquina, preste atenção para garantir a segurança das outras pessoas e dos objectos.
- Não encoste a estantes ou andaimes, principalmente se existir o perigo de queda de objectos.
- Não pose recipientes com líquidos na máquina.
- A temperatura de utilização da máquina deve estar compreendida entre +32 °F e 104 °F (0 °C e +40 °C).
- A temperatura de armazenamento deve estar compreendida entre +32 °F e 104 °F (0 °C e +40 °C).
- A humidade deve estar compreendida entre 30% e 95%.
- Durante a utilização de detergentes para a limpeza dos pavimentos, siga as instruções e as advertências indicadas nas etiquetas das garrafas.
- Antes de manusear detergentes para a limpeza dos pavimentos, vista luvas e protecções adequadas.
- Não utilize a máquina como meio de transporte.
- Evite que as escovas estejam em funcionamento com a máquina parada para não provocar danos no piso.
- Em caso de incêndio, utilize, se for possível, um extintor de pó e não de água.
- Não viole, em nenhum caso, as protecções previstas para a máquina, respeite escrupulosamente as instruções previstas para a manutenção periódica.
- Não deixe nenhum objecto penetrar nas aberturas. Se as aberturas estiverem obstruídas, não utilize a máquina. Mantenha as aberturas da máquina livres de pó, fios, pêlos e qualquer outro corpo estranho que possa reduzir o fluxo de ar.
- Não remova, nem altere as placas colocadas na máquina.
- Para deslocar manualmente a máquina, é necessário desbloquear o travão electromagnético. No final da deslocação manual, reative o travão electromagnético. Nunca utilize a máquina com o travão electromagnético desactivado.
- No caso em que a máquina seja movimentada através de empurro por motivos de serviço (falta de baterias, baterias descarregas, etc.), nunca ultrapassar a velocidade de 2.5 mph (4 km/h).
- A presente máquina não é aprovada para a utilização em estradas ou vias públicas.
- Preste atenção durante o transporte da máquina em condições abaixo da temperatura de congelamento. A água presente no reservatório da água de recuperação ou nos tubos pode congelar e danificar gravemente a máquina.
- Utilize unicamente as escovas e os feltros fornecidos com a máquina ou os especificados nas instruções de uso. A utilização de outras escovas ou feltros pode pôr em causa a segurança.
- No caso de se verificarem anomalias no funcionamento da máquina, certifique-se de que não se devem à falta de manutenção periódica. Caso contrário solicite a intervenção do pessoal autorizado ou do centro de assistência autorizado.
- Em caso de substituição de peças, solicite peças de substituição ORIGINAIS a um concessionário ou revendedor autorizado.
- Por motivos da segurança, e também do bom funcionamento, faça com que pessoal autorizado ou um centro de assistência autorizado execute a manutenção programada prevista no capítulo específico deste manual.
- Não lave a máquina com jactos de água directos ou sob pressão, ou com substâncias corrosivas.
- Se na máquina estiverem instaladas baterias de chumbo (WET), não incline a máquina acima de 30° em relação ao plano horizontal, de modo a não provocar o vazamento do líquido altamente corrosivo das baterias. Quando for necessário inclinar a máquina para executar a manutenção, retire preventivamente as baterias.
- A máquina não deve ser abandonada, no fim de seu ciclo de vida, devido à presença, em seu interior, de materiais tóxicos nocivos (baterias, etc.), sujeitos a normas que prevêm o despejo junto a centros especiais (veja o capítulo Fim de vida).

## DESCRIÇÃO DA MÁQUINA

### ESTRUTURA DA MÁQUINA

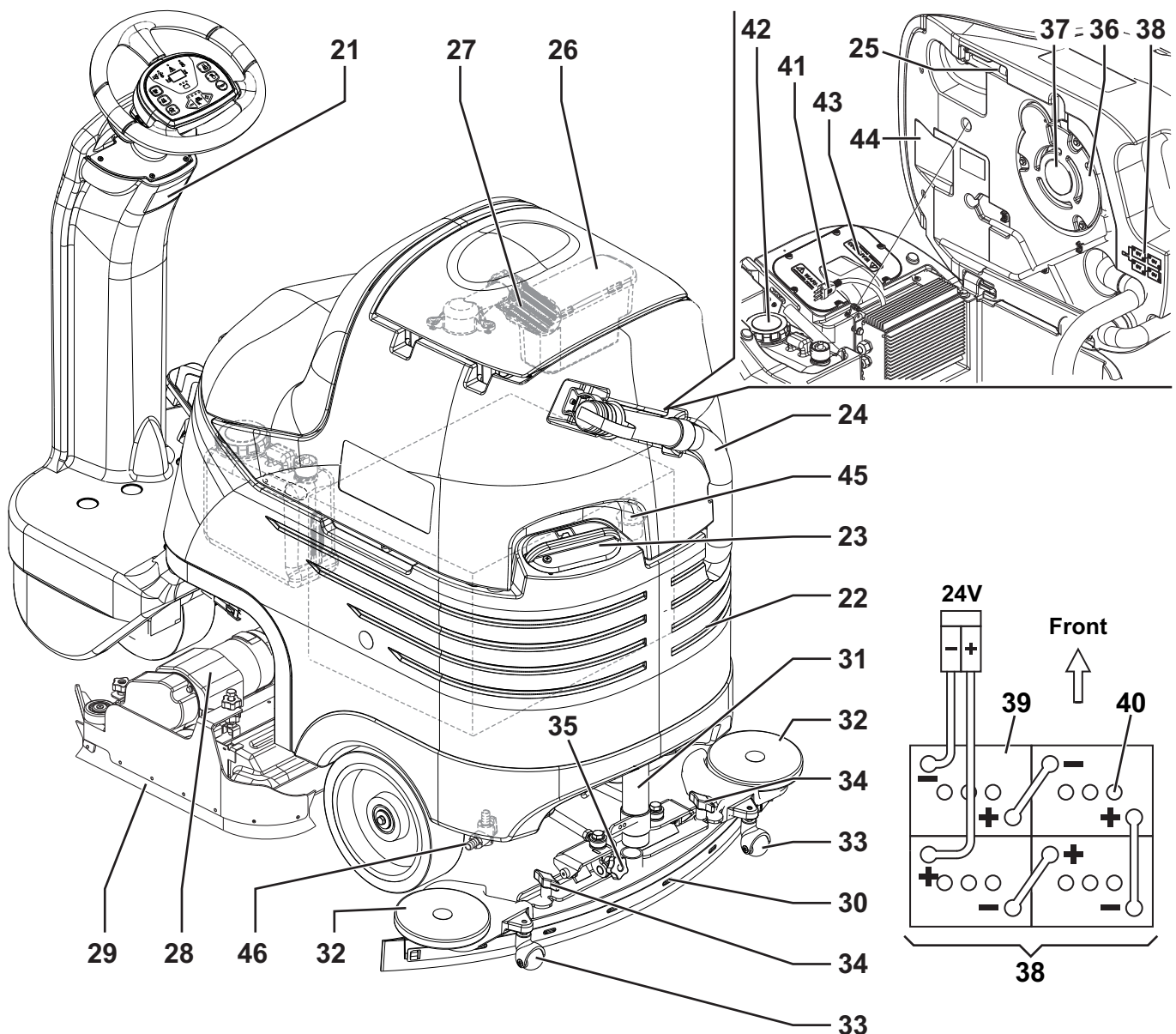
1. Volante com painel de controlo e comandos (ver parágrafo seguinte)
2. Alavanca de regulação da altura do volante
3. Chave de ignição
4. Pedal de marcha
5. Regulação da altura de apoio do pé
6. Roda dianteira directriz, de tracção e travagem
7. Alavanca de desbloqueio do travão electromagnético
8. Botão de emergência
9. Conectores das baterias
10. Cabeça do porta-escovas com disco/porta-filtro
11. Rolo pára-choques
12. Filtro da solução de detergente
13. Electroválvula
14. Torneira abertura/fecho reservatório da solução de detergente/água limpa
15. Fixação para conservação do limpador
16. Carregador de baterias
17. Assento
18. Grupo borrachas do limpador
19. Reservatório da água de recuperação inclinável
20. Tampa de reservatório da água de recuperação



P100358

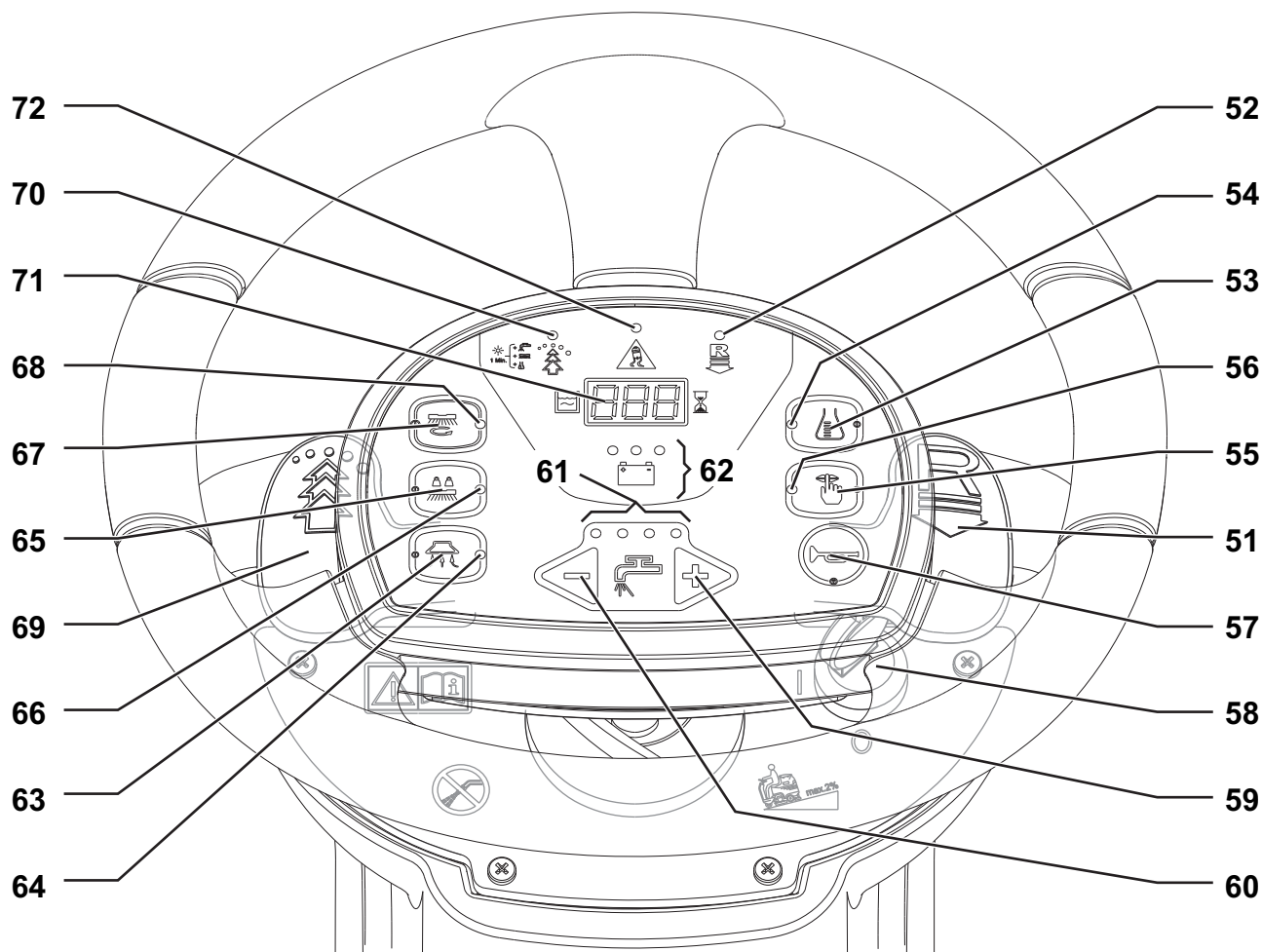
**ESTRUTURA DA MÁQUINA (Continuação)**

21. Placa da matrícula / dados técnicos / marca de conformidade
  22. Reservatório da solução detergente/água limpa
  23. Bujão de enchimento do reservatório da solução de detergente/água limpa com tubo amovível para descarga
  24. Tubo de descarga da água de recuperação
  25. Pé de suporte do grupo do reservatório
  26. Depósito com grelha de recolha de resíduos
  27. Grelha de aspiração com fechamento automático com bóia
  28. Cabeça do porta-escovas com rolo
  29. Flap lateral da cabeça do porta-escovas com rolo
  30. Limpador
  31. Tubo de aspiração do limpador
  32. Rolo pára-choques do limpador
  33. Rodas de apoio do limpador
  34. Volantes de fixação do limpador
  35. Volante de regulação do balanceamento do limpador
  36. Motor do sistema de aspiração
  37. Filtro do motor do sistema de aspiração
  38. Esquema de ligação das baterias
  39. Baterias
  40. Tampas das baterias
  41. Cabo de alimentação do carregador de baterias
  42. Reservatório de detergente (\*)
  43. Tampa do compartimento electrónico
  44. Grupo reservatório e assento levantado
  45. Adaptador para o tubo extraível de carregamento da água e tudo de aspiração do limpador
  46. Torneira da solução detergente/água limpa
- (\*) Unicamente para máquinas com sistema EcoFlex™



## VOLANTE COM PAINEL DE CONTROLO E COMANDOS

51. Alavanca de activação/desactivação da marcha-atrás  
 52. Indicador de led de activação da marcha-atrás  
 53. Interruptor de regulação do fluxo detergente à água de lavagem (\*)  
 54. Indicador de led do interruptor de regulação da percentagem de detergente na água de lavagem (\*)  
 55. Interruptor de função da modalidade silenciosa  
 56. Indicador de led da função da modalidade silenciosa  
 57. Interruptor avisador acústico  
 58. Chave de ignição  
 59. Interruptor de aumento do fluxo da solução detergente  
 60. Interruptor de redução do fluxo da solução detergente  
 61. Barra de visualização do fluxo da solução detergente  
 62. Indicador de led do carregador de baterias  
 • Led verde - baterias carregadas  
 • Led amarelo - baterias quase descarregadas  
 • Led vermelho - baterias descarregadas  
 63. Interruptor do sistema de aspiração  
 64. Indicador de led do sistema de aspiração  
 65. Interruptor de pressão suplementar (o interruptor não está activo na versão 28" Cyl.)  
 66. Indicador de led da pressão suplementar  
 67. Interruptor de elevação/abaixamento da cabeça porta-escovas/porta-filtro e limpador  
 68. Indicador de led da elevação/abaixamento da cabeça porta-escovas/porta-filtro e limpador  
 69. Alavanca desactivação/activação EcoFlex™ (\*)  
 70. Indicador de led do sistema EcoFlex™ (\*):  
 • Led aceso - EcoFlex™ em funcionamento  
 • Led intermitente - EcoFlex™ override  
 • Led apagado - EcoFlex™ desactivado  
 71. Ecrã conta-horas e nível da solução de detergente:  
 • Quando ligar a máquina, são indicadas, durante alguns segundos, as horas de trabalho efectuadas.  
 • Durante a utilização da máquina, indica o nível da solução de detergente/água limpa presente no reservatório (em galões).  
 • Quando o nível é superior a 18 USgal, o ecrã indica "FUL".  
 • Quando o nível é inferior a 4 USgal, o ecrã indica "LO".  
 • Quando o reservatório está quase vazio, a indicação "LO" começa a piscar.
- i** **NOTA**  
 A indicação "LO" intermitente pode aparecer antes do esvaziamento efectivo do reservatório; por isso pode ser possível executar as últimas fases de trabalho controlando o real fluxo de água de lavagem das escovas.
72. Indicador de led da activação de controlo anti-patinagem  
 (\*) Activos apenas nas máquina com o sistema EcoFlex™





## ACESSÓRIOS / OPCIONAIS

Além dos componentes existentes na versão padrão, a máquina pode ser equipada com os seguintes acessórios/opcionais, com base na utilização específica da mesma:

- Baterias GEL/AGM
- Escovas com disco e escovas com rolo de diferentes materiais em relação ao equipamento padrão
- Feltros de materiais diferentes em relação ao equipamento padrão
- Borrachas do limpador de diferente material em relação ao equipamento padrão
- Luz rotativa intermitente
- Kit esfregona com recolha de lixo
- Motor do sistema de aspiração de 0.9 HP (670 W)

Para mais informações relativas aos acessórios opcionais acima indicados, consulte o seu revendedor habitual.

## CARACTERÍSTICAS TÉCNICAS

### Características técnicas gerais

Descrição	26" Disc	28" Cyl.
Largura de limpeza	26 in (660 mm)	28 in (710 mm)
Largura do limpador	35 in (890 mm)	
Capacidade do reservatório da solução detergente/água limpa	21 USgal (80 litros)	
Fluxo solução detergente	de 0.26 a 0.8 USgal/min (de 1 a 3 litros/min)	
Diâmetro das rodas traseiras em eixo fixo	9.8 in (250 mm)	
Pressão específica no solo da roda dianteira	72 psi (0.5 N/mm <sup>2</sup> )	
Pressão específica das rodas traseiras no piso	130 psi (0.9 N/mm <sup>2</sup> )	
Diâmetro da roda dianteira direccionável, de tracção e de travagem	8.8 in (225 mm)	
Potência do motor do sistema de aspiração	0.56 HP (420 W)	
Potência do motor do sistema de tracção	0.4 HP (300 W)	
Velocidade máxima	3.7 mph (6 km/h)	
Inclinação máxima de utilização	2% (1.14°)	
Pressão acústica nos ouvidos do operador (ISO 11201, ISO 4871, EN 60335-2-72) (LpA)	65 dB(A) ± 3 dB(A)	
Potência acústica emitida pela máquina (ISO 3744, ISO 4871, EN 60335-2-72) (LwA)	82 dB(A)	
Nível das vibrações transmitidas ao braço do operador (ISO 5349-1, EN 60335-2-72)	< 98.4 in/s <sup>2</sup> (< 2.5 m/s <sup>2</sup> )	
Nível das vibrações transmitidas ao corpo do operador (ISO 2631-1, EN 60335-2-72)	3.1 in/s <sup>2</sup> (0.8 m/s <sup>2</sup> )	
Dimensão do compartimento das baterias (comprimentoxlarguraxaltura)	14.9 x 21.2 x 11.8 in (380 x 540 x 300 mm)	
Tipo de baterias	4 baterias de 6 V, 180 Ah/C5 (WET)	
	4 baterias de 6 V, 180 Ah/C5 (GEL/AGM)	
Depressão do sistema de aspiração	0.0098 MPa (1,000 mmH <sub>2</sub> O)	
Altura da máquina	46.8 in (1,190 mm)	
Comprimento máximo da máquina	53.5 in (1,360 mm)	
Largura da máquina sem limpador	26.4 in (670 mm)	31.9 in (810 mm)

### Características técnicas com a cabeça do porta-escovas/porta-filtro

Descrição	26" Disc
Diâmetro da escova/filtro	13 in (330 mm)
Peso sem baterias e com os reservatórios vazios	385.8 lb (175 kg)
Peso máximo com baterias, reservatórios cheios e operador (75 kg) (GVW)	983.2 lb (446 kg)
Potência do motor da escova/porta-filtro	2 x 0.53 HP (2 x 400 W)
Velocidade de rotação da escova/porta-filtro	230 rpm
Pressão das escovas/porta-filtro com pressão suplementar desengatada	66.1 lb (30 kg)
Pressão das escovas/porta-filtros com pressão suplementar engatada	105.8 lb (48 kg)

## Características técnicas com a cabeça do porta-escovas com rolo

Descrição	28" Cyl.
Dimensões da escova com rolo (diâmetro x comprimento)	5.7 x 27.2 in (145 x 690 mm)
Peso sem baterias e com os reservatórios vazios	396.8 lb (180 kg)
Peso máximo com baterias, reservatórios cheios e operador (75 kg) (GVW)	994.3 lb (451 kg)
Potência do motor da escova com rolo	2 x 0.8 HP (2 x 600 W)
Velocidade de rotação das escovas com rolo	720 rpm
Pressão das escovas com rolo	77.1 lb (35 kg)

## DIAGRAMA ELÉCTRICO

## Legenda

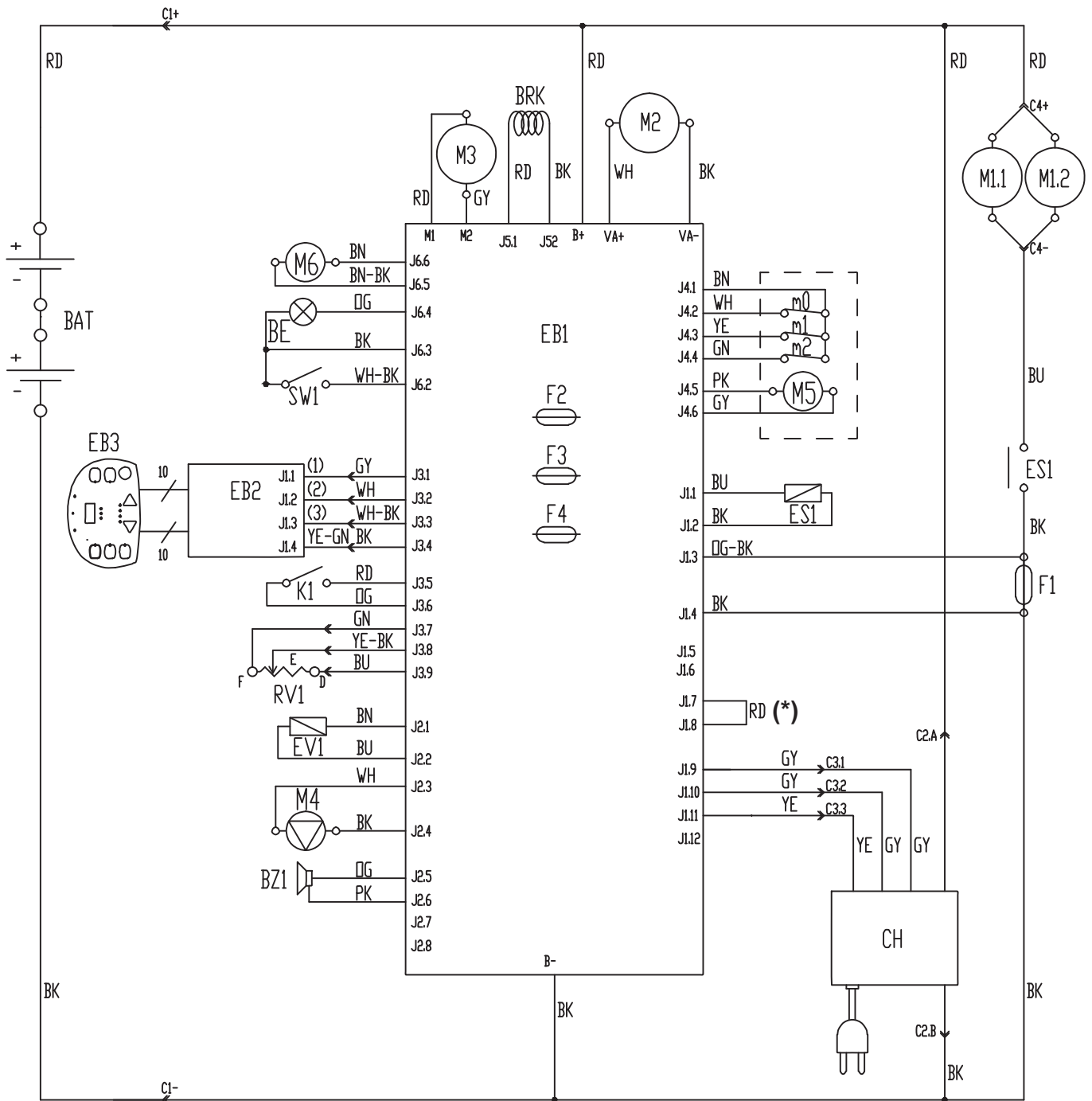
BAT	Baterias de 24 V
BE	Luz rotativa intermitente (opcional)
BRK	Travão electromagnético
BZ1	Avisador sonoro de marcha-atrás/avisador sonoro
C1	Conectores das baterias
C2	Conector principal do carregador de baterias
C3	Conector secundário do carregador de baterias
C4	Conector da cabeça das escovas
CH	Carregador de baterias (opcional)
EB1	Placa electrónica das funções
EB2	Placa electrónica do ecrã
EB3	Placa electrónica imagem do painel
ES1	Contactador dos motores das escovas
EV1	Electroválvula
F1	Fusível da cabeça das escovas
F2	Fusível da placa electrónica principal
F3	Fusível dos circuitos de sinal
F4	Fusível accionadores
K1	Comutador de ignição
M1.1,2	Motores da escova
M2	Motor do sistema de aspiração
M3	Motor do sistema de tracção
M4	Bomba de detergente (opcional)
M5	Motor do accionador da cabeça das escovas
M6	Motor accionador do limpador
m0	Micro-interruptor da posição 0 do accionador do limpador
m1	Micro-interruptor da posição 1 do accionador do limpador
m2	Micro-interruptor da posição 2 do accionador do limpador
PR1	Pressóstato nível detergente/água limpa
RV1	Potenciómetro pedal marcha
SW1	Micro-interruptor do assento

## Código das cores

BK	Preto
BU	Azul
BN	Castanho
GN	Verde
GY	Cinzento
OG	Cor de laranja
PK	Rosa
RD	Vermelho
VT	Roxo
WH	Branco
YE	Amarelo

(\*) Unicamente para versão SC3000 26" Disc

ESQUEMA ELÉTRICO (Continuação)



P100361A

## UTILIZAÇÃO

**ATENÇÃO!**

*Em alguns pontos da máquina encontram-se aplicadas autocolantes que indicam:*

- PERIGO
- ATENÇÃO
- ADVERTÊNCIA
- CONSULTA

O operador, durante a leitura deste manual, deve compreender perfeitamente o significado dos símbolos presentes nas placas. Não cubra, em caso algum, os autocolantes e substitua-os imediatamente caso venham a ser danificados.

## CONTROLO / PREPARAÇÃO DAS BATERIAS NUMA MÁQUINA NOVA

**ATENÇÃO!**

*Os componentes eléctricos desta máquina podem sofrer sérios danos se as baterias não forem instaladas e conectadas da maneira correcta. As baterias devem ser instaladas exclusivamente por pessoal qualificado.*

*Regule a placa electrónica das funções de acordo com o tipo de baterias instalado (WET ou GEL/AGM).*

*Inspeccione as baterias antes da instalação para verificar que não estejam danificadas.*

*Desligue o conector das baterias e a tomada do carregador de bateria.*

*Manuseie as baterias com muita atenção.*

*Instale as tampas protectoras dos terminais das baterias fornecidas com a máquina.*

A máquina requer 4 baterias de 6 V, ligadas conforme o diagrama (38).

A máquina pode ser fornecida numa das seguintes configurações:

### **Baterias (WET ou GEL/AGM) montadas na máquina e prontas para a utilização**

1. Abra a tampa (20) e certifique-se de que o reservatório da água de recuperação (19) está vazio. Caso contrário, esvazie-o através do tubo de descarga (24).
2. Feche a tampa (20).
3. Levante com cuidado o grupo do reservatório (44).
4. Controle que as baterias estejam ligadas à máquina através do conector (9).
5. Baixe com cuidado o grupo do reservatório (44).
6. Introduza a chave de ignição (58) e coloque-a em "I". Se se acender o led verde do indicador do carregador de baterias (62), as baterias estão prontas para utilização. Se se acender o led amarelo ou o led vermelho, é necessário carregar as baterias (ver o procedimento no capítulo Manutenção).

### **Sem baterias**

1. Compre as baterias adequadas (ver o parágrafo Características Técnicas). Dirija-se a Revendedores qualificados para a escolha e a instalação.
2. Regule a máquina em função do tipo de baterias instalado (WET ou GEL/AGM) (ver o parágrafo seguinte).
3. Instale as baterias (ver parágrafo seguinte).
4. Carregue as baterias.

## INSTALAÇÃO DAS BATERIAS E DEFINIÇÃO DO TIPO DE BATERIAS (WET OU GEL/AGM)

### Instalação das baterias

1. Abra a tampa (20) e certifique-se de que o reservatório da água de recuperação (19) está vazio. Caso contrário, esvazie-o através do tubo de descarga (24).
2. Feche a tampa (20).
3. Levante com cuidado o grupo do reservatório (44).
4. Instale as baterias e ligue-as de acordo com o respectivo esquema (38).

### Definição do tipo de baterias

De acordo com o tipo de baterias instaladas (WET ou GEL/AGM), defina a placa electrónica da máquina e do carregador de bateria, operando conforme indicado a seguir:

5. Coloque a chave de ignição (58) na posição "I" e detecte a definição da corrente contando, durante os primeiros segundos de funcionamento da máquina, o número de vezes que os indicadores de led da bateria (62) piscam, de acordo com a seguinte tabela:

DEFINIÇÃO	ECRÃ (71)	SINALIZAÇÃO LED BATERIAS (62)	TIPO DE BATERIA	CORRENTE DE CARGA
1	WET 20A	Led vermelho pisca 4 vezes	WET	PADRÃO
2	GEL 20A	Led verde pisca 4 vezes	GEL-AGM	
3	GEE 20A	Led amarelo pisca 4 vezes	GEL tipo EXIDE®	
4	WET 15A	Led vermelho pisca 2 vezes	WET	REDUZIDA (ver nota)
5	GEL 15A	Led verde pisca 2 vezes	GEL-AGM	
6	GEE 15A	Led amarelo pisca 2 vezes	GEL tipo EXIDE®	

6. Se for necessário mudar de definição, proceda como indicado nos seguintes pontos.
7. Desligue a máquina colocando a chave de ignição (58) em "0".
8. Prima ao mesmo tempo e mantenha premido os interruptores (67) e (63), em seguida, coloque a chave de ignição (58) em "I".
9. Solte os interruptores (67) e (63) mas apenas após 5 segundos do arranque da máquina.
10. No espaço de 3 segundos, volte a pressionar durante um período de tempo breve, o interruptor (63) para passar para a definição seguinte (de 1 a 6 numa sequência cíclica).



#### NOTA

*Durante a execução dos pontos 9 e 10, as definições são também apresentadas no ecrã (71) através do código na tabela.*



#### NOTA

*Em caso de utilização das baterias com capacidade inferior a 160Ah@5h (em caso de dúvida, consulte a documentação das baterias), para evitar um sobreaquecimento excessivo das baterias durante a recarga, utilize a corrente de recarga REDUZIDA através das definições 4, 5 ou 6 indicadas na tabela, de acordo com o tipo de baterias instaladas.*



#### NOTA

*O carregador de baterias é configurado juntamente com a definição do tipo de bateria.*

### Carregamento das baterias

11. Carregar as baterias (ver o procedimento no capítulo da Manutenção).

## ANTES DO ARRANQUE



### ATENÇÃO!

Sempre que ligar a máquina, controle que não estão presentes corpos estranhos entre a cabeça (10 ou 28) e a máquina ou entre o limpador (30) e a máquina, que possam dificultar o eventual levantamento da cabeça e do limpador. Este controlo é necessário porque, se a máquina for desligada sem ter levantado a cabeça porta-escovas e o limpador, ao arranque a cabeça e o limpador levantam-se automaticamente.

### Instalação/remoção das escovas/porta-feltro

(Para SC3000 26" Disc)

Na máquina predefinida com a cabeça específica, pode instalar as escovas (A, Fig. 1) e os portas-feltro (B) com feltro (C), de acordo com o tratamento a efectuar no chão.

Para instalar/remover estes componentes, proceda como indicado a seguir.

1. Introduza a chave de ignição (58) e coloque-a em "I".



### ATENÇÃO!

Antes de accionar o interruptor (67), controle sempre que não haja corpos estranhos entre a cabeça (10) e a máquina que possam dificultar a elevação da cabeça.

2. Levante a cabeça premindo o interruptor (67).
3. Coloque a chave de ignição (58) em "0" e retire-a.
4. Instale as escovas/porta-feltro (A ou B) inserindo-as no cubo portador (D) por baixo da cabeça e, em seguida, rode-as completamente no sentido contrário à rotação das escovas até ao batente (E).
5. Para remover as escovas/porta-feltro, efectue os pontos de 1 a 3 e, em seguida, solte manualmente a escova/porta-feltro do cubo fazendo rodá-la no sentido de rotação (F).



### ATENÇÃO!

A utilização da máquina não perfeitamente montada pode provocar lesões nas pessoas e nos danos nas ferramentas. Verifique sempre se montou todos os componentes antes de colocar a máquina em funcionamento. Inspeccione atentamente a máquina, antes de a usar.

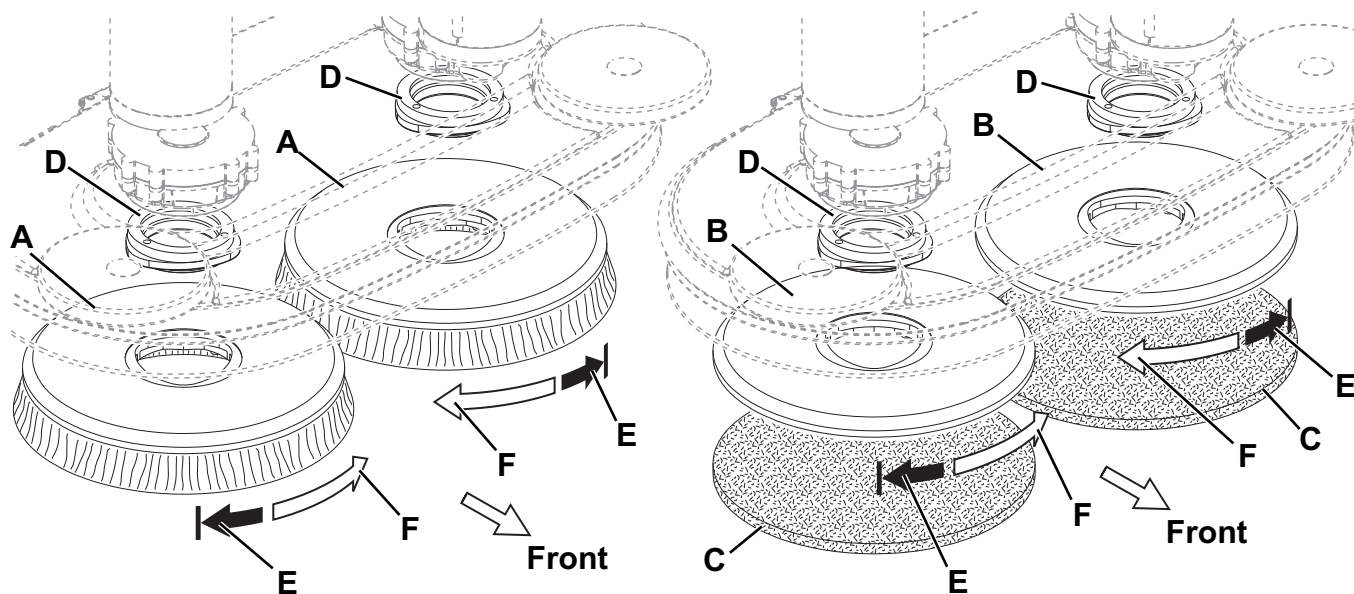


Figura 1

P100362

## Tipos de escovas disponíveis e guia da sua aplicação (apenas sugestões)

Modelos	MIDLITE GRIT 180	MIDGRIT 240	PROLENE	PROLITE	UNION MIX
Limpeza geral:					
Betão					
Piso de terraço					
Pavimento de azulejos/pedra					
Mármore					
Pavimento de vinil					
Pavimento de borracha					
Polimento:					
Pavimento de borracha					
Mármore					
Pavimento de vinil					

## Instalação/remoção das escovas com rolo

(Para SC3000 28" Cyl.)

1. Introduza a chave de ignição (58) e coloque-a em "I".

**ATENÇÃO!**

*Antes de accionar o interruptor (67), controle sempre que não haja corpos estranhos entre a cabeça (28) e a máquina que possam dificultar a elevação da cabeça.*

2. Levante a cabeça premindo o interruptor (67).
3. Coloque a chave de ignição (58) em "0" e retire-a.
4. Em ambos os lados da máquina, desaperte os manípulos (A, Fig. 2) e remova os grupos do flap lateral (B).
5. Desaperte os manípulos (C) e remova as tampas (D), pressionando os manípulos para baixo.
6. Instale as escovas com rolo (E) ou remova as escovas para instalar as novas.  
As escovas com rolo devem ser instaladas em ambos os lados.
7. Instale as portas (D) e fixe-as com os manípulos (C).
8. Monte os grupos do flap lateral (B) e fixe-os com os manípulos (A).

**ATENÇÃO!**

*A utilização da máquina não perfeitamente montada pode provocar lesões nas pessoas e nos danos nas ferramentas. Verifique sempre se montou todos os componentes antes de colocar a máquina em funcionamento. Inspeccione atentamente a máquina, antes de a usar.*

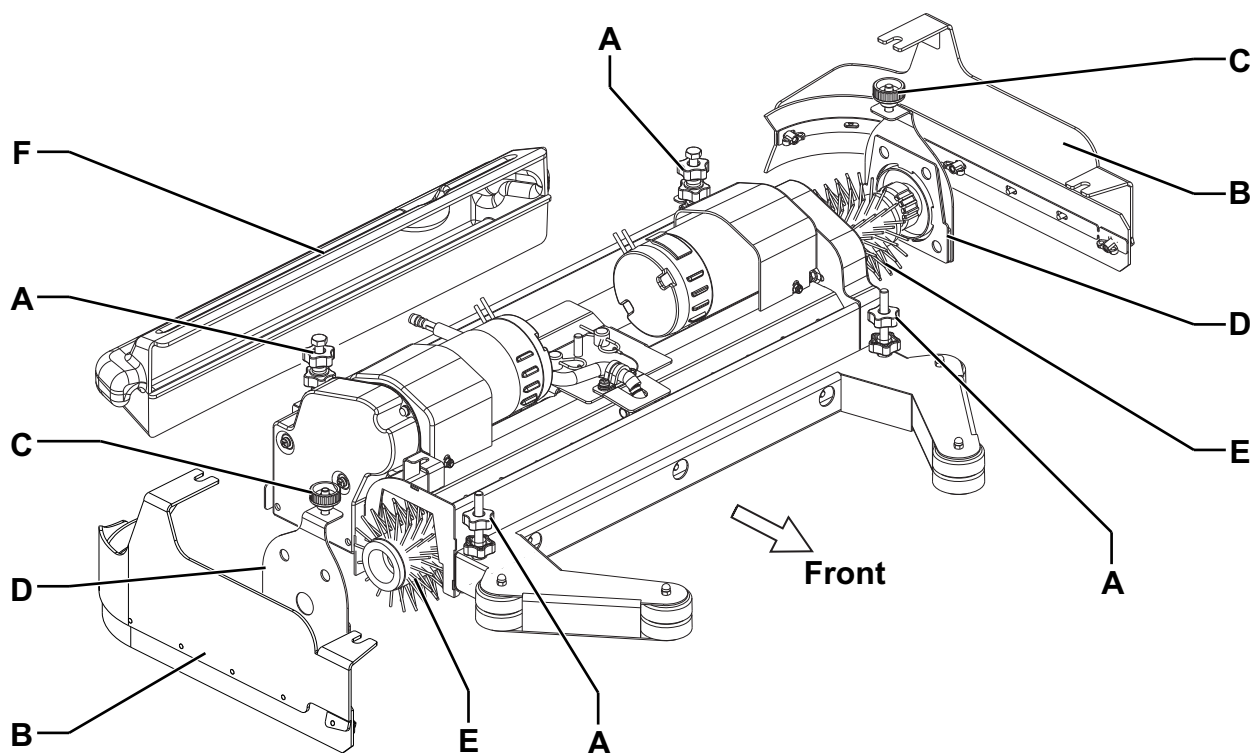


Figura 2

P100363

**Tipos de escovas com rolo disponíveis e guia da sua aplicação (apenas sugestões)**

Modelos	MAGNA GRIT 46	DYNA GRIT 80	MIDLITE GRIT 180	PROLENE	PROLITE	UNION MIX
Limpeza geral:						
Betão						
Piso de terraço						
Pavimento de azulejos/pedra						
Mármore						
Pavimento de vinil						
Pavimento de borracha						

**Instalação do limpador**

1. Instale o limpador (30) e fixe-o com os volantes (34), ligue então o tubo de aspiração (31) ao limpador.
2. Regule o limpador através do volante (35) de modo que as borrachas (18) traseiras toque no piso em toda a sua extensão e que a borracha dianteira fique ligeiramente afastada do piso.

**Encha o reservatório com solução detergente/água limpa****NOTA**

*Se a máquina estiver equipada com sistema EcoFlex™ ateste o reservatório com a água limpa; caso contrário ateste com solução detergente.*

**ADVERTÊNCIA!**

*Utilizar exclusivamente detergentes líquidos que produzam pouca espuma e não inflamáveis, idóneos para os aparelhos em uso.*

**ATENÇÃO!**

*Durante a utilização de detergentes para a limpeza dos pavimentos, siga as instruções e as advertências indicadas nas etiquetas das garrafas.*

*Antes de manusear detergentes para a limpeza dos pavimentos, vista luvas e protecções adequadas.*

1. Abra a tampa (23).
2. **(Unicamente para máquinas sem sistema EcoFlex™)**  
Através do bocal amovível, encha o reservatório (22) com uma solução detergente específica para o trabalho a executar. Não encha completamente o reservatório (22), pare a alguns centímetros do bordo do bujão (23). Siga sempre às instruções de diluição indicadas na etiqueta da confecção do produto químico usado para compor a solução detergente.  
A temperatura da solução detergente não deve ultrapassar os 40 °C.
- (Unicamente para máquinas com sistema EcoFlex™)**  
Através do bocal amovível, encha o reservatório (22) com água limpa. Não encha completamente o reservatório (22), pare a alguns centímetros do bordo do bujão (23). A temperatura da água não deve ultrapassar os 40 °C.

**Enchimento do reservatório do detergente**

(Unicamente para máquinas com sistema EcoFlex™)

1. Abra a tampa (20) e certifique-se de que o reservatório da água de recuperação (19) está vazio. Caso contrário, esvazie-o através do tubo de descarga (23).
2. Feche a tampa (20).
3. Levante com cuidado o grupo do reservatório (44).
4. Abra o bujão do reservatório do detergente (42).
5. Encha o reservatório com um detergente adequado para o trabalho a efectuar (detergente de alta concentração). Não encha completamente o reservatório de detergente, pare a alguns centímetros do topo.

**NOTA**

*Se o tubo do reservatório de detergente estiver vazio (em caso de sistema novo, de sistema esvaziado para limpeza, etc.) para acelerar o enchimento do tubo, pode ser útil executar um ou mais ciclos de limpeza do sistema EcoFlex™ (consulte o procedimento no parágrafo Manutenção).*

**Regulação do assento de condução**

1. Regule a altura do volante (1) com a alavanca (2) e a altura de apoio do pé (5) na posição mais confortável para o operador.



## ARRANQUE E PARAGEM DA MÁQUINA

### Arranque da máquina

1. Prepare a máquina como previsto no parágrafo anterior.
2. Coloque a chave de ignição (58) em "I", sem accionar o pedal de marcha (4). Verifique que o led verde do indicador de carga das baterias (62) se acende.  
Caso se acenda o led amarelo ou vermelho, volte a colocar a chave de ignição (58) em "0" e, em seguida, carregue as baterias (consulte o procedimento no capítulo Manutenção).
3. Desloque-se para a área de trabalho, ligando a máquina com as mãos no volante e premindo o pedal (4).  
A velocidade de avanço pode ser regulada de zero até ao seu valor máximo através da pressão exercida no pedal (4).
4. A marcha para a frente/marcha-atrás é seleccionada através da alavanca específica (51) situada do lado direito do volante.

**NOTA**

O assento (17) possui um sensor de segurança que permite o movimento da máquina, através do pedal (4), apenas com o operador sentado no assento.

**NOTA**

Existe na máquina um sistema de segurança anti-patinagem [led (72) intermitente] que reduz sempre que necessário a velocidade ao curvar e em caso de inclinação lateral da máquina, independentemente da pressão exercida no pedal. Esta redução de velocidade não significa portanto um mau funcionamento mas é uma característica que aumenta a estabilidade e a segurança da máquina em qualquer condição.

5. Baixe a cabeça do porta-escovas/porta-feltros e o limpador premindo o interruptor (67).
6. Coloque os interruptores de regulação do fluxo da solução de detergente (59 e 60) na posição considerada mais adequada, conforme o tipo de lavagem a ser executada.
7. Inicie o trabalho de limpeza, operando a máquina com as mãos no volante (1) e fazendo avançar a máquina premindo adequadamente o pedal (4).

**NOTA**

Existe na máquina um sistema de segurança que permite ligar a rotação das escovas e do sistema de aspiração apenas quando a máquina está em movimento.

### Paragem da máquina

8. Solte o pedal (4).  
Não é necessário bloquear a máquina durante a paragem ou o estacionamento dado que o travão electromagnético da roda trava automaticamente a máquina quando o pedal de marcha não estiver accionado.
9. Levante a cabeça do porta-escovas/porta-filtro e o limpador premindo o interruptor (67).

## MÁQUINA EM OPERAÇÃO (LAVAGEM/SECAGEM)

1. Ligue a máquina, como previsto no parágrafo anterior.
2. Se for necessário, varie a quantidade de solução detergente enviada para as escovas através dos interruptores (59 e 60).
3. Se necessário, para reduzir ao mínimo o ruído, active a função de modalidade silenciosa premindo o botão (55).



NOTA

*Sugere-se a utilização da modalidade silenciosa em pavimentos lisos e sem fugas.*



NOTA

*Para uma lavagem/secagem correcta dos pavimentos nos bordos das paredes, a Advance sugere aproximar-se com o lado direito da máquina como representado na figura 3.*

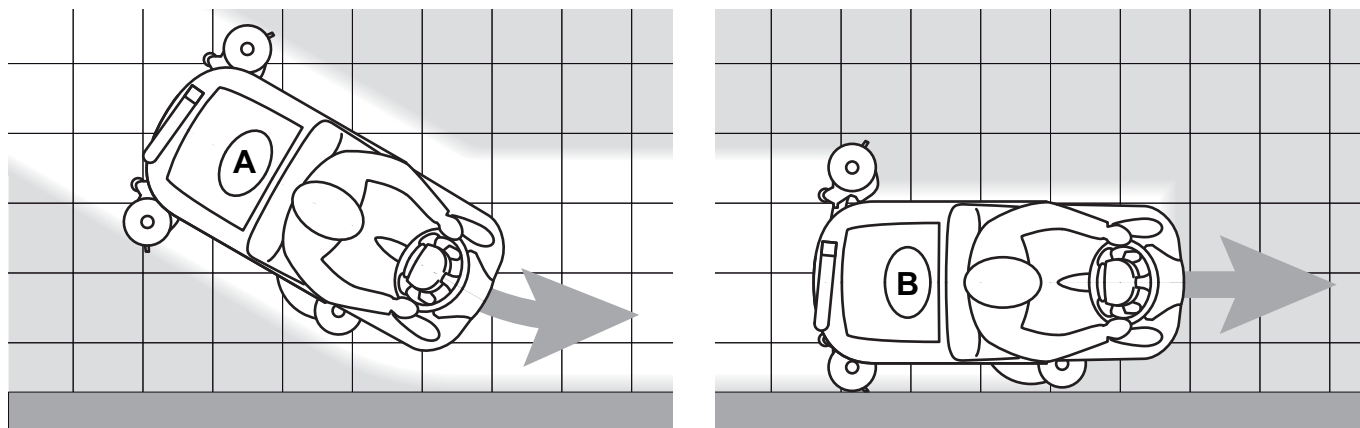


Figura 3

P100364

### Regulação do limpador

4. Se necessário, pare a máquina e regule posteriormente o volante de regulação do equilíbrio do limpador (35) de forma que a borracha posterior toque no pavimento em todo o comprimento.

### Regulação da concentração de detergente na solução detergente

(Unicamente para máquinas com sistema EcoFlex™)

O sistema para a mistura do detergente com a água de lavagem é activado premindo o interruptor de regulação da percentagem de detergente (A, Fig. 4): com o led (B) aceso o detergente é adicionado à água de lavagem.

O ecrã (C) indica o nível de concentração do detergente na solução detergente como na tabela indicada na figura 5.



NOTA

*A concentração do detergente na solução de detergente distribuída pelo sistema corresponde sempre ao nível 1.*

*Para obter temporariamente uma concentração superior (stronger) prima o botão EcoFlex™ ou desactive o sistema EcoFlex™ (ver o parágrafo específico).*

### Função EcoFlex™

Prima a alavanca EcoFlex™ (D, Fig. 4) sempre que precisar, momentaneamente, de uma maior potência de lavagem. Levantando a alavanca (D) [led (E) intermitente] obtém-se um aumento do fluxo da solução detergente, a activação da pressão suplementar das escovas/porta-feltro e (em máquinas com o sistema EcoFlex™) uma concentração de detergente na solução correspondente ao nível regulado (além disso, se a função de mistura de detergente estiver desactivada, é activada automaticamente).

Levantando novamente a alavanca (E) as regulações iniciais são repostas [led (E) aceso].



NOTA

*Caso a alavanca (E) não seja levantada uma segunda vez, as regulações iniciais são repostas automaticamente após 60 segundos.*

Para modificar a regulação actual da percentagem de detergente, proceda do seguinte modo:

1. Desactive o interruptor de regulação da percentagem de detergente (A) [o led (B) deve apagar-se].
2. Prima e mantenha premido o interruptor de regulação da percentagem de detergente (A) até o led (B) parar de piscar.
3. Solte o interruptor (A). Volte a premi-lo brevemente para passar para o nível seguinte indicado no ecrã (C), como na tabela indicada na figura 4, repita a operação até obter a regulação pretendida.
4. Aguarde que o led (B) pare de piscar: O novo nível está regulado.



NOTA

*A definição da percentagem de detergente é guardada na memória mesmo após desligar a máquina.*

**Desactivação do sistema EcoFlex™**

(Unicamente para máquinas com sistema EcoFlex™)

Para desactivar temporariamente o sistema, levante a alavanca EcoFlex™ (D, Fig. 4) e mantenha-a levantada durante 2 segundos. Após este procedimento, [led (D) apagado], o nível de concentração do detergente corresponde ao que foi regulado. Para reactivar o sistema, levante novamente a alavanca EcoFlex™ (D).

Para desactivar permanentemente o sistema EcoFlex™, proceda como indicado a seguir:

1. Desligue a máquina colocando a chave de ignição (58) em "0".
2. Levante e mantenha levantada a alavanca (D) e, em seguida, coloque a chave de ignição (58) em "I".
3. Solte a alavanca (D) mas apenas após 8 segundos do arranque da máquina.

Após este procedimento, a alavanca EcoFlex™ deixa de estar operacional [led (E) apagado] e o nível de concentração de detergente corresponde ao que foi regulado.

Para reactivar o sistema, repita os pontos de 1 a 3.

**NOTA**

A desactivação do sistema EcoFlex™ é guardada na memória mesmo após desligar a máquina.

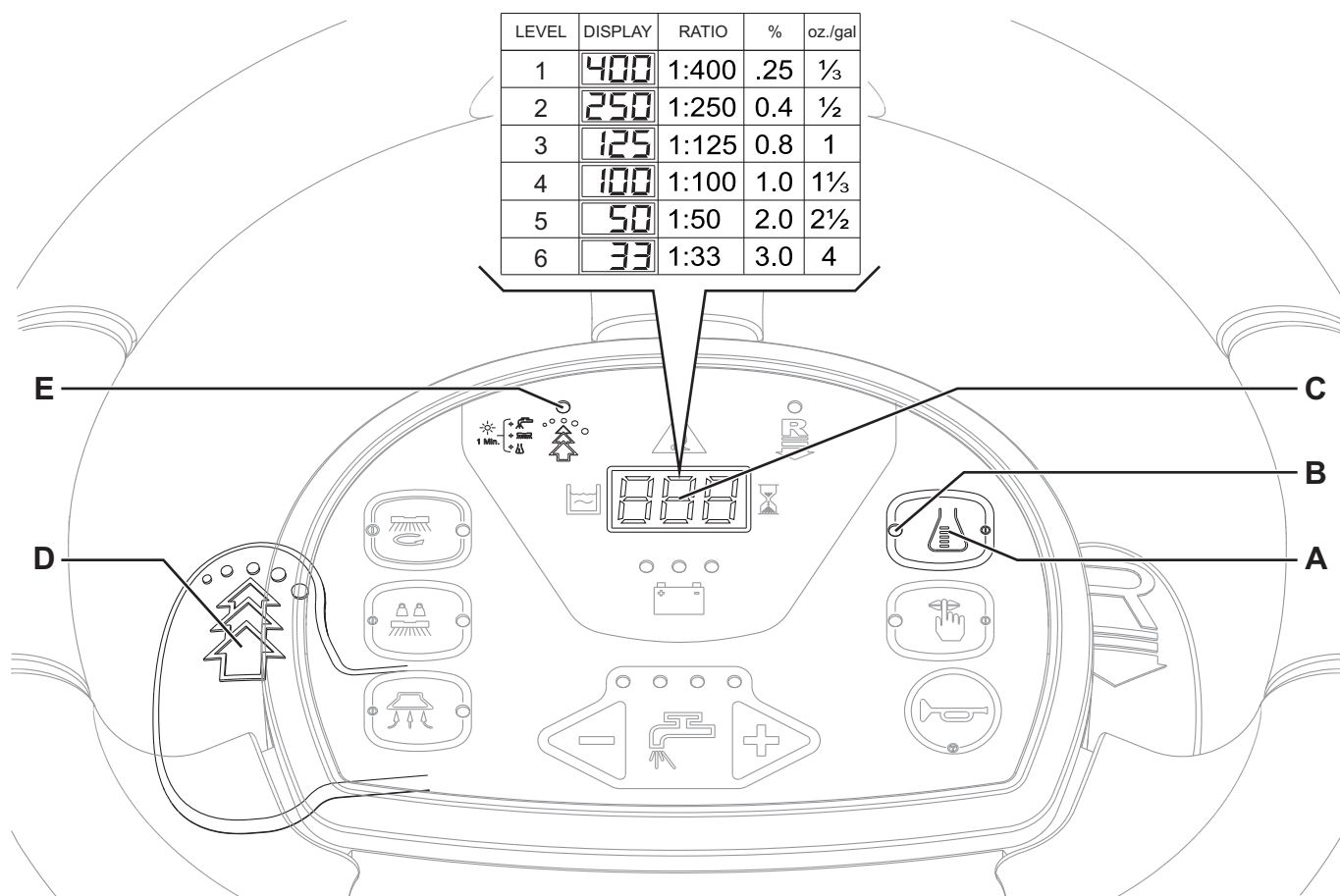


Figura 4

P100365A

**Trabalho com a função de pressão suplementar das escovas/porta-feltro (unicamente para SC3000 26" Disc)**

1. Se a sujidade do piso for extremamente resistente, é possível trabalhar com uma pressão suplementar das escovas/porta-feltro, premindo o interruptor (65).
2. Para voltar a trabalhar com a pressão normal, volte a premir o interruptor (65).  
O interruptor (65) está activo apenas quando a cabeça (10) está abaixada e o led (68) do interruptor (67) está aceso.

**ADVERTÊNCIA!**

*Em caso de sobrecarga dos motores das escovas/porta-feltro, devido a corpos estranhos que dificultam o movimento das mesmas ou a pisos/escovas demasiado agressivos, um sistema de segurança pára as escovas/porta-feltro após aproximadamente um minuto de sobrecarga contínua.*

*A condição de sobrecarga é indicada através do piscar em simultâneo dos três leds de carregamento das baterias (62).*

*Se a sobrecarga tiver lugar durante o trabalho com função de pressão suplementar activada, o sistema diminui automaticamente a pressão nas escovas/porta-feltro desengatando a função de pressão suplementar. Se a sobrecarga continuar, as escovas/porta-feltro param.*

*Para continuar a trabalhar depois da paragem das escovas/porta-feltro devida à sobrecarga, é necessário desligar a máquina, colocando a chave de ignição (58) em "0". Ligue a máquina colocando a chave de ignição (58) em "I".*

**Carregamento da bateria durante o funcionamento**

1. Enquanto o led verde de carregamento das baterias (62) permanecer aceso, as baterias permitem que a máquina funcione normalmente.  
Quando o led verde se apagar e se acenderem em sequência os leds amarelo e vermelho, é necessário recarregar as baterias.
  - Quando se acender o led amarelo a autonomia da máquina é de poucos minutos (variáveis conforme as características da bateria utilizada).
  - Quando se acender o led vermelho, a autonomia está esgotada: depois de alguns segundos, as escovas/porta-feltro param e a cabeça levanta-se. Continuam activos unicamente o sistema de aspiração e o sistema de tracção apenas para permitir secar eventuais secções de piso molhado e para deslocar a máquina para o local de recarregamento.

**ADVERTÊNCIA!**

*Para não danificar as baterias e reduzir a respectiva vida útil, não persistir na utilização da máquina com baterias descarregadas.*

**NOTA**

*Se não for possível deslocar a máquina através do sistema de tracção, consulte o parágrafo Movimentar a máquina empurrando/puxando.*

**ESVAZIAMENTO DO RESERVATÓRIO**

Um sistema de fecho automático com bóia (27) bloqueia o sistema de aspiração quando o reservatório da água de recuperação (19) está cheio.

É possível notar o bloqueio do sistema de aspiração ao sentir um aumento súbito da frequência do ruído do motor do sistema de aspiração.

**ADVERTÊNCIA!**

*Caso o sistema de aspiração se desligar por razões acidentais (por exemplo devido à intervenção prematura do bóia durante a deslocação brusca da máquina), para restabelecer o funcionamento, desligue-o pressionando o interruptor (63) e, em seguida, abra a tampa (20) e certifique-se de que o bóia no interior da grelha (27) tenha descido até ao nível da água; por último, feche a tampa (20) e volte a ligar o sistema de aspiração pressionando o interruptor (63).*

Quando o reservatório da água de recuperação (19) estiver cheio, efectue ao respectivo esvaziamento operando como indicado de seguida.

**Esvaziamento do reservatório da água de recuperação**

1. Pare a máquina soltando o pedal (4).
2. Levante a cabeça do porta-escovas/porta-feltro e o limpador premindo o interruptor (67).
3. Leve a máquina para a zona de despejo específica.
4. Esvazie o reservatório da água de recuperação com o tubo (24).
5. Remova o contentor com grelha de recolha de resíduos (26), esvazie-o e lave-o com água limpa. Volte a montá-lo no tubo de aspiração no reservatório.
6. No fim da utilização, lave o reservatório com água limpa.

**Esvaziamento do reservatório da solução detergente/água limpa**

7. Execute os pontos 1 a 3.
8. Prenda o adaptador (45) localizado na respectiva sede no interior do compartimento das baterias.
9. Monte o adaptador (A, Fig. 5) no tubo de aspiração do limpador (B) e, em seguida, insira-o na torneira de descarga (C).
10. Coloque a chave de ignição (58) em "I" e ligue o sistema de aspiração com o interruptor (63).
11. Abra a torneira de descarga (C) para esvaziar o reservatório (22).  
A torneira (C) está aberta quando estiver na posição (D) em relação à torneira; está fechada quando estiver na posição (E).
12. Após conclusão da operação, desligue o sistema de aspiração e esvazie o reservatório da água de recuperação (19) com o tubo (24).
13. No final do trabalho, feche a torneira de descarga (C), desmonte o adaptador (A) e volte a montar o tubo de aspiração (B) no limpador (30).

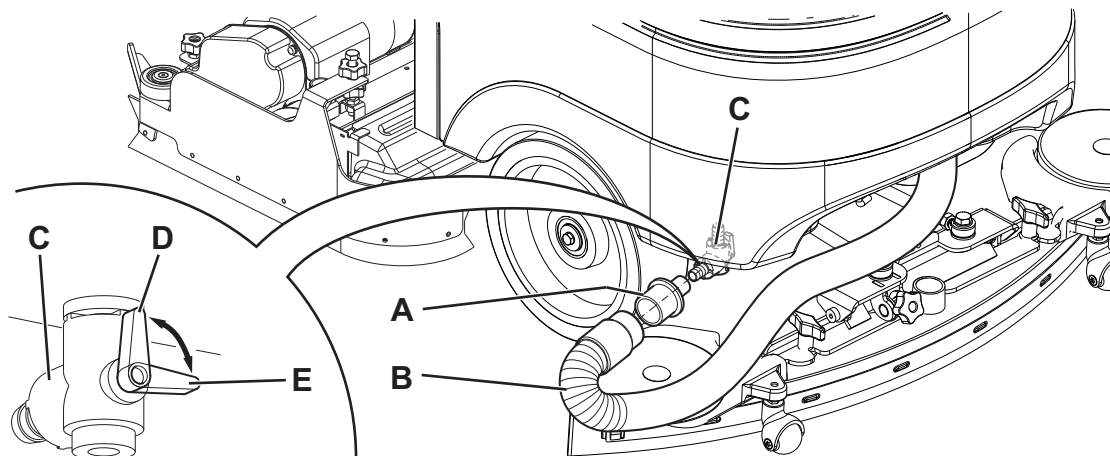


Figura 5

P100366

**Esvaziamento da gaveta porta-lixo das escovas com rolo (unicamente para a cabeça do porta-escovas com rolo)**

14. Parar a máquina.
15. Com a cabeça do porta-escovas com rolo abaixada, retire o depósito de resíduos (F, Fig. 2).
16. Esvazie e lave o depósito (F) e instale-o na respectiva base de apoio.

**APÓS UTILIZAÇÃO DA MÁQUINA**

No fim do serviço, antes de abandonar a máquina:

1. Remova as escovas/porta-feltro operando como indicado no parágrafo a seguir.
2. Esvazie os reservatórios (19 e 22), operando como indicado no parágrafo anterior.
3. Remova o limpador (30) e lave-o com água quente. Abra a tampa do reservatório de recuperação (20) e fixe o limpador no reservatório de recuperação utilizando a fixação específica (15).
4. Execute as manutenções previstas após a utilização da máquina (veja o capítulo Manutenção).
5. Conserve a máquina num local seco e limpo, com a escovas/porta-feltro e o limpador desmontados ou levantados.

**MOVIMENTO DE EMPURRAR/PUXAR A MÁQUINA**

Quando não for possível utilizar o sistema de tracção (por exemplo por falta de baterias, baterias demasiado descarregadas, etc.) para movimentar facilmente a máquina empurrando/puxando, é necessário desbloquear o travão electromagnético puxando a alavanca (7) e bloqueando-a com um espaçador.

No final da deslocação da máquina, retire o espaçador por baixo da alavanca (7) para reactivar o travão electromagnético.

**ATENÇÃO!**

*Se após a deslocação da máquina empurrando/puxando, a alavanca (7) não for solta, o travão magnético da máquina permanece inactivo.*

**ATENÇÃO!**

*Nunca utilize a máquina com a alavanca (7) em posição de travão electromagnético desbloqueado. Para maior segurança, recomendamos que aperte o travão electromagnético apenas durante o tempo estritamente necessário para a deslocação manual da máquina.*

**INACTIVIDADE PROLONGADA DA MÁQUINA**

1. Caso preveja não utilizar a máquina por mais de 30 dias, é oportuno:
2. Execute as operações descritas no parágrafo Após utilização da máquina.
3. antes de desligar o conector vermelho (9) da bateria, efectue as operações seguintes:
  - Abra a tampa (20), o bujão (23) e controle se os reservatórios (19 e 22) estão vazios, caso contrário esvazie-os.
  - Mantenha o grupo do reservatório da água de recuperação (19) levantado com o pé de suporte (25).

## PRIMEIRO PERÍODO DE UTILIZAÇÃO

Após as 8 primeiras horas, controle o aperto dos órgãos de fixação e de ligação da máquina. Controle se as partes visíveis estejam intactas e não apresentam fugas.

## MANUTENÇÃO

A durabilidade da máquina e sua máxima segurança de funcionamento são garantidas através de uma manutenção cuidadosa e regular.

Encontra-se indicado a seguir uma síntese do plano de manutenção programada. As periodicidades indicadas podem sofrer variações em função de condições especiais de trabalho, a serem definidas por parte do responsável da manutenção.



### ATENÇÃO!

**As operações devem ser efectuadas com a máquina desligada e com bateria desconectada. Além disso, leia cuidadosamente todas as instruções do parágrafo Segurança.**

Todas as operações de manutenção programadas ou extraordinárias devem ser efectuadas por pessoal qualificado ou por um centro de assistência autorizado.

Neste manual, após o diagrama de manutenção programada, estão indicados unicamente os procedimentos de manutenção mais simples e recorrentes.



### NOTA

Para o procedimento de outras operações de manutenção indicadas no diagrama de manutenção programada e as operações de manutenção extraordinária, consulte o respectivo Manual de assistência que possuem os vários Centros de assistência.

## PLANO DE MANUTENÇÃO PROGRAMADA

Procedimento	Diária, após a utilização da máquina	Semanal	Semestral	Anual
Carregamento das baterias				
Limpeza do limpador				
Limpeza das escovas/feltros				
Limpeza dos reservatórios, da grelha de detritos, da grelha de aspiração com bóia e controlo da junta da tampa				
Limpeza e purga do sistema EcoFlex™				
Controlo e substituição das borrachas do limpador				
Controlo dos flaps laterais (unicamente para 28" Cyl.)				
Limpeza do filtro da solução detergente				
Limpeza do filtro do motor do sistema de aspiração				
Controlo do nível do líquido das baterias (WET)				
Controlo do aperto das porcas e parafusos			(1)	
Controlo e regulação das correias de transmissão dos motores às escovas com rolo (unicamente para 28" Cyl.)			(2)	
Controlo da eficiência do travão electromagnético			(2)	
Controlo ou substituição dos carvões dos motores da escova/porta-filtro				(2)
Controlo ou substituição dos carvões do motor do sistema de aspiração				(2)
Controlo ou substituição dos carvões do motor do sistema de tracção				(2)

(1) E após as primeiras 8 horas de trabalho.

(2) Manutenção de competência de um Centro de assistência autorizado Advance.

## CONTROLO DAS HORAS DE TRABALHO DA MÁQUINA

- Introduza a chave de ignição (58) e coloque-a em "I".
- Durante os primeiros 2 segundos de funcionamento da máquina, o ecrã (71) indica o número total das horas de trabalho (lavagem/secagem) efectuadas da máquina.  
Coloque a chave de ignição (58) em "0".

## LIMPEZA DO LIMPADOR



### NOTA

Para obter uma boa secagem, o limpador deve estar limpo e com as borrachas em boas condições.



### ADVERTÊNCIA!

Durante a limpeza do limpador, recomenda-se o uso de luvas de protecção devido à possível presença de detritos cortantes.

1. Coloque a máquina num pavimento plano.
2. Introduza a chave de ignição (58) e coloque-a em "I".
3. Baixe o limpador (30) premindo o interruptor (63).
4. Coloque a chave de ignição (58) em "O".
5. Desligue o tubo de aspiração (31) do limpador.
6. Solte os volantes (34) e remova o limpador (30).
7. Lave e limpe o limpador. Em particular, limpe as sujidades e detritos dos compartimentos (A, Fig. 6) e do orifício (B). Verifique que a borracha dianteira (C) e a borracha traseira (D) estão em bom estado e não apresentam cortes ou golpes, caso contrário deve substituí-las.
8. A montagem dever ser efectuada na ordem inversa em relação à desmontagem.

## CONTROLO E SUBSTITUIÇÃO DAS BORRACHAS DO LIMPADOR

1. Limpe o limpador (Fig. 6) operando como indicado no parágrafo anterior.
  2. Controle que o bordo (E) da borracha dianteira (C) e o bordo (F) da borracha traseira (D) apoiem ao mesmo tempo num plano de apoio, em toda a extensão, caso contrário regule-as na altura como descrito a seguir:
    - Desengate o tirante (G), desengate a retenção (M) e regule a borracha traseira (D); depois engate a retenção e engate o tirante.
    - Desaperte os volantes (I) e regule a borracha dianteira (C), em seguida, aperte os volantes.
  3. Verifique que a borracha dianteira (C) e a borracha traseira (D) estão em bom estado e não apresentam cortes ou golpes, caso contrário deve substituí-las, como descrito a seguir. Controle também que a borracha traseira não tem a aresta dianteira (J) gasta; caso contrário, vire a própria borracha, de modo a trocar uma aresta pela outra se esta ainda estiver em bom estado. Se também as outras arestas estiverem gastas, substitua a borracha, do seguinte modo:
    - Remova o tirante (G), desengate a retenção (M) e remova a fita de fixação (K), depois substitua/vire a borracha traseira (D).
    - Monte a borracha na ordem inversa em relação à desmontagem.
    - Desaparafuse os volantes (I) e remova a fita de fixação (L) e, em seguida, substitua a borracha dianteira (C).
    - Monte a borracha na ordem inversa em relação à desmontagem.
- Após a substituição (ou inversão) das borrachas, regule a altura, como descrito no ponto anterior.
4. Desligue o tubo de aspiração (31) do limpador.
  5. Monte o limpador (30) e aperte os volantes (34).
  6. Se for necessário, regule o volante de regulação do equilíbrio (35) do limpador.

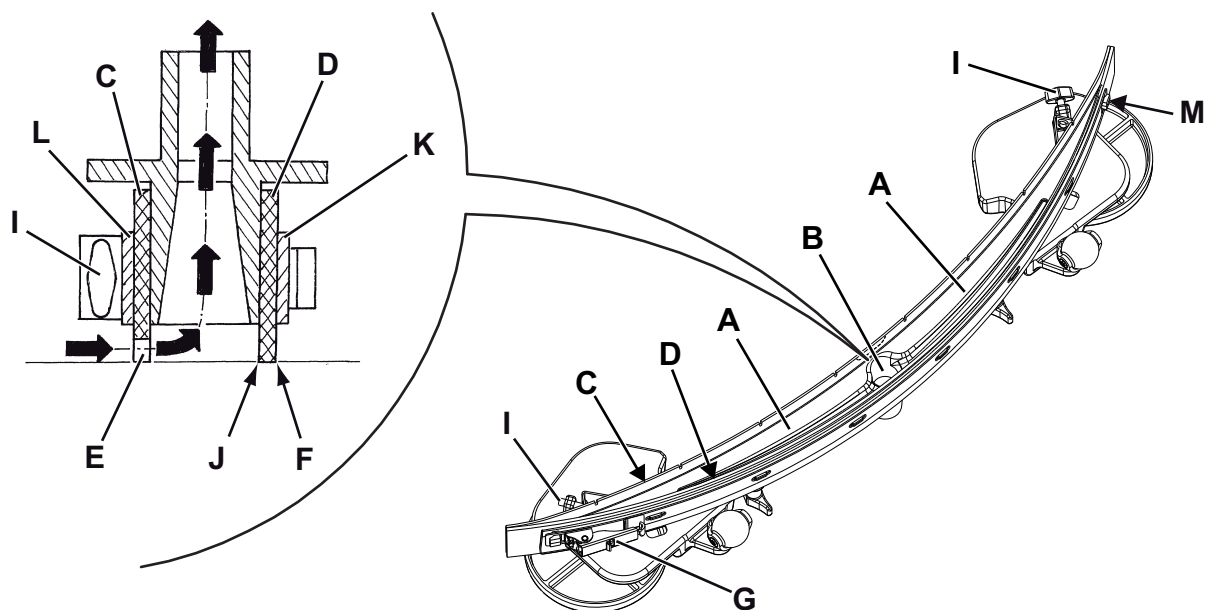


Figura 6

P100367



**LIMPEZA DAS ESCOVAS COM DISCO OU COM ROLO****ADVERTÊNCIA!**

*Durante a limpeza das escovas, aconselha-se o uso de luvas de trabalho devido à possível presença de detritos cortantes.*

1. Retire as escovas/filtros da máquina como indicado no capítulo Utilização.
2. Limpe e lave as escovas com água e detergente.
3. Controle que as cerdas estejam em bom estado e não excessivamente gastas, caso contrário substitua-las.

**LIMPEZA DO RESERVATÓRIO DA ÁGUA DE RECUPERAÇÃO**

1. Leve a máquina para a zona de despejo específica.
2. Coloque a chave de ignição (58) em "0".
3. Abra a tampa (20).
4. Limpe e lave com água limpa, a tampa (20) e o reservatório (19). Descarregue a água do reservatório com o tubo (24).
5. Limpe a grelha de aspiração (27), desengate as retenções (A, Fig. 7), abra a grelha (B) e recupere a bóia (C) e limpe com cuidado e volte a instalar.
6. Limpe o depósito com grelha de recolha de resíduos (26), desmonte o colector (G), retire a tampa (H) e limpe com cuidado e volte a instalar no tubo de aspiração.
7. Verifique o estado da junta (D) da tampa do reservatório.

**NOTA**

*A junta (D) permite a formação de depressão no reservatório, necessária para a aspiração da água de recuperação.*

Substitua, se for necessário, a junta (D) após tê-la tirado da própria sede (E). Durante a montagem da nova junta, coloque a junta (F) na zona inferior indicada na figura.

7. Verifique também que toda a superfície no perímetro (I) de apoio da junta (D) esteja em bom estado, limpa e adequada para a vedação da própria junta.
8. Feche a tampa (20).

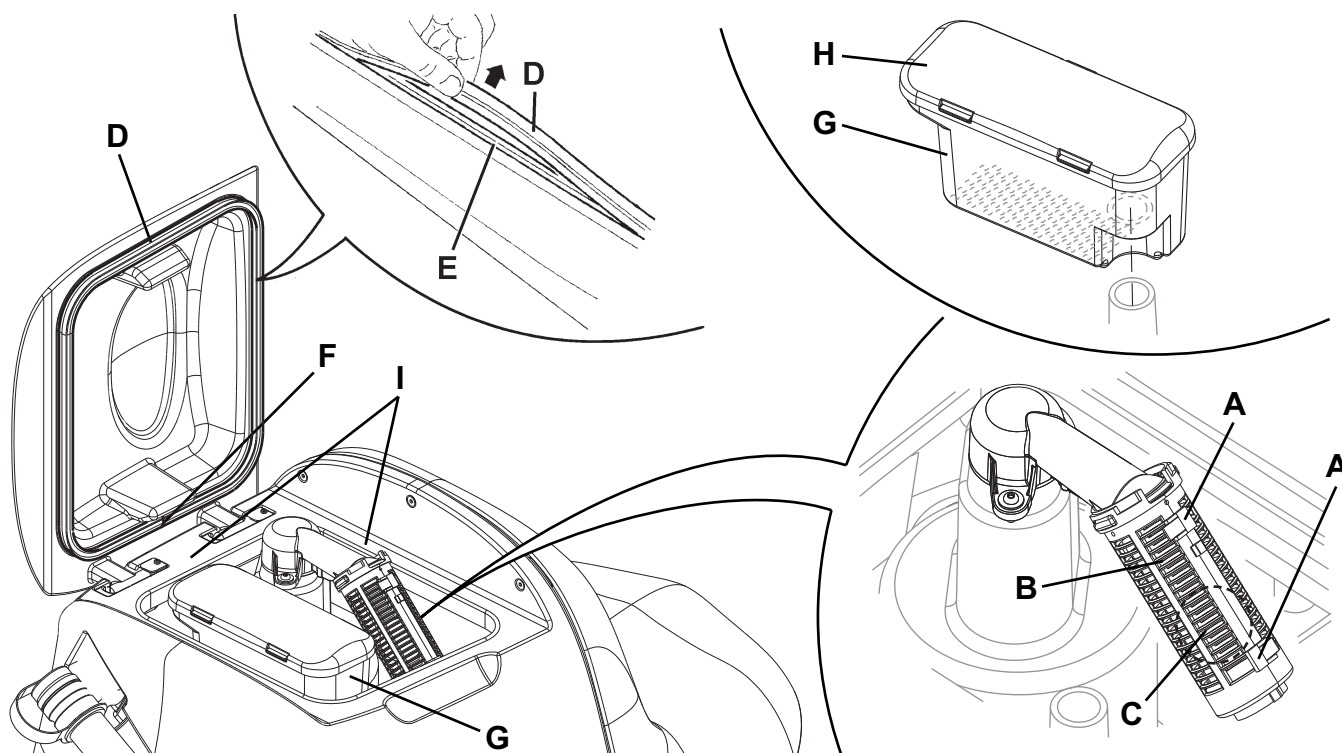


Figura 8

P100368



## CONTROLO E SUBSTITUIÇÃO DOS FLAPS LATERAIS (unicamente para 28" Cyl.)

### Controlo

1. Coloque a máquina num pavimento plano.
2. Coloque a chave de ignição (58) em "0".
3. Em ambos os lados da máquina, desaperte o manípulo (A, Fig. 8) e remova os grupos do flap lateral (B).
4. Lave e limpe os flaps.
5. Controle que o rebordo inferior (C) dos flaps:
  - apoia ao mesmo tempo num terreno plano em todo o seu comprimento;
  - está em bom estado e não apresenta cortes ou golpes;
  - que a aresta interna (D) não esteja gasta;
 caso contrário rode e substitua os flaps operando como indicado a seguir.

### Rotação ou substituição

6. Remova as porcas de alhetas (E) e retire a fita de retenção (F).
7. Remova a borracha (G) do flap e, se possível, rode-a para a deslocação da posição da aresta inferior interna (D) para a aresta oposta. Caso as outras arestas também estejam gastas, substitua a borracha.

### Montagem e regulação da altura

8. Monte as borrachas (G) e o grupo flap (B) na ordem inversa em relação à desmontagem.
9. Ligue a máquina e baixe a cabeça porta-escovas com rolo (28); em seguida, controle que as borrachas (G) dos flaps laterais:
  - apoiam ligeiramente no solo;
  - recolhem a solução de detergente.
10. Se necessário, pare a máquina e regule a altura dos flaps apertando o manípulo (A) e rodando os manípulos (H).
11. Quando a regulação estiver concluída, aperte o manípulo (A).

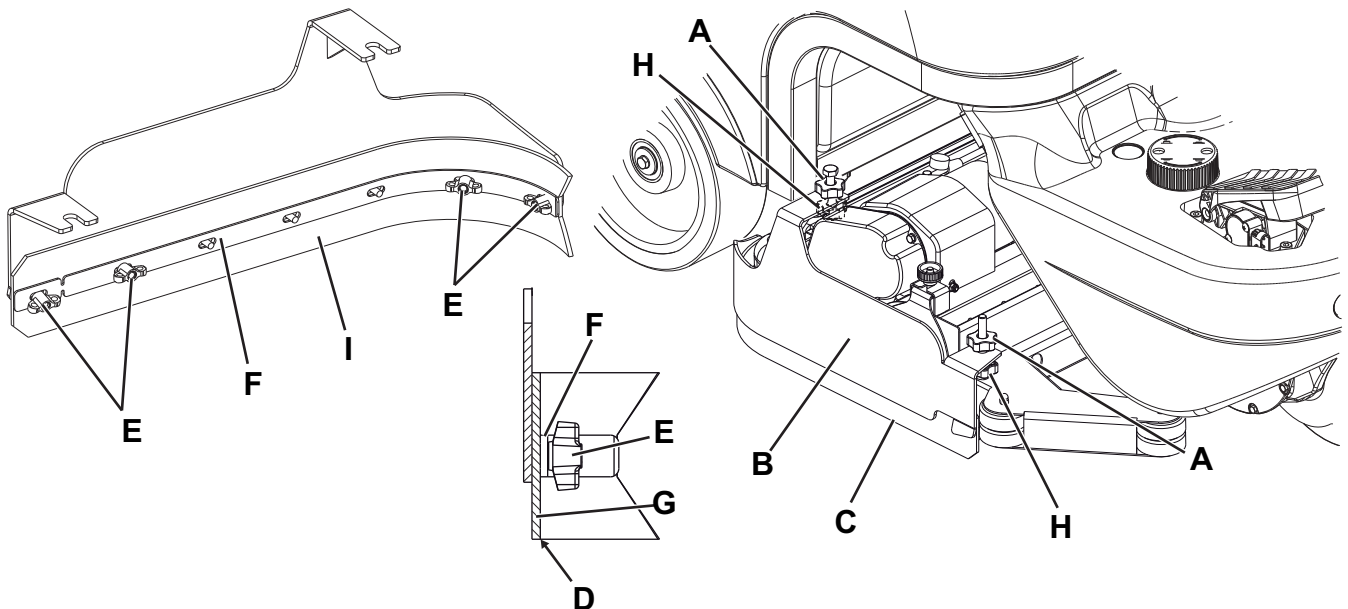


Figura 8

P100369

## LIMPEZA DO FILTRO DO MOTOR DO SISTEMA DE ASPIRAÇÃO

1. Coloque a máquina num pavimento plano.
2. Coloque a chave de ignição (58) em "0".
3. Abra a tampa (20) e certifique-se de que o reservatório da água de recuperação (19) está vazio. Caso contrário, esvazie-o através do tubo de descarga (24).
4. Feche a tampa (20).
5. Levante com cuidado o grupo do reservatório (44).
6. Verifique que o filtro (37) está limpo. Se necessário, limpe-o com água e com ar comprimido e volte a instalá-lo.

## LIMPEZA DO FILTRO DA SOLUÇÃO DETERGENTE

1. Coloque a máquina num pavimento plano.
2. Coloque a chave de ignição (58) em "0".
3. Feche a torneira (A, Fig. 9) da solução detergente que se encontra sob a máquina, atrás da roda traseira direita. A torneira (A) está fechada quando estiver na posição (B) em relação à torneira; está aberta quando estiver na posição (C).
4. Remova o copo transparente (D), recupere a junta (E) e remova a rede filtrante (F) por baixo da máquina à frente da roda traseira direita. Limpe com água e volte a montá-los no suporte (G).



NOTA

Posicione correctamente a rede filtrante (F) na sede do suporte (G).

5. Abra a torneira (A).

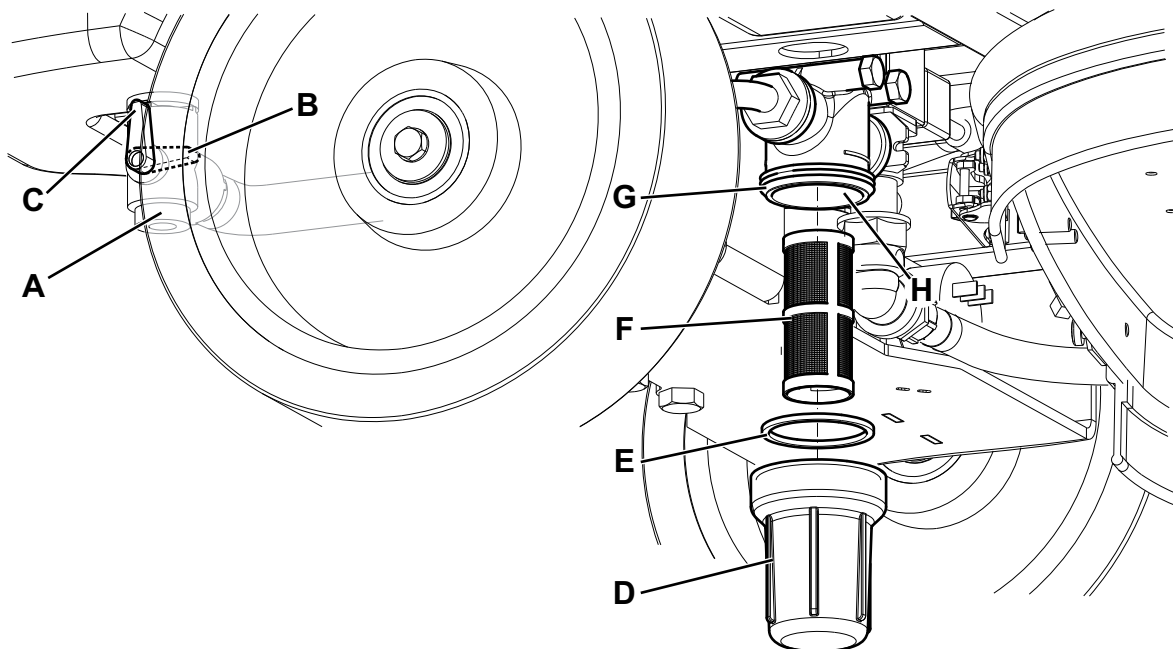


Figura 9

P100370

## SCIBCARREGAMENTO DAS BATERIAS



NOTA

Carregue as baterias quando o led amarelo ou o vermelho do indicador de carga das baterias (62) se acender ou no final do trabalho.



**ADVERTÊNCIA!**

Manter as baterias carregadas aumenta a duração da vida útil das mesmas.



**ADVERTÊNCIA!**

Quando as baterias estão descarregadas, carregue logo que possível, dado que este estado provoca uma redução da vida das mesmas.

Controle a carga das baterias pelo menos uma vez por semana.

**ATENÇÃO!**

*O carregamento das baterias produz gás hidrogénio, altamente explosivo. Carregue somente em áreas bem ventiladas e longe de chamas livres.*

*Não fume durante a recarga das baterias.*

*Mantenha o grupo do reservatório aberto ou levantado com o pé de suporte (25) durante todo o ciclo de recarregamento das baterias.*

**ATENÇÃO!**

*Durante a recarga das bateria, preste particular atenção para vazamentos acidentais de líquido das baterias.*

*Este líquido é corrosivo. Se entrar em contacto com a pele ou os olhos, lave com muita água e consulte um médico.*

**Operações preliminares**

1. Coloque a máquina num pavimento plano.
2. Abra a tampa (20) e certifique-se de que o reservatório (19) está vazio. Caso contrário, esvazie-o através do tubo de descarga (24).
3. Feche a tampa (20).
4. Levante com cuidado o grupo do reservatório (44).
5. (Unicamente para as baterias WET) Controle o nível do electrólito das baterias (39). Se for necessário, desaparafuse as tampas (40) e ateste.  
Após repor o nível, feche as tampas (40) e limpe, se necessário, a superfície superior das baterias.

**Carregamento das baterias**

6. Ligue o cabo (41) do carregador de baterias à rede eléctrica [a tensão e a frequência da rede devem ser iguais aos valores correspondentes do carregador de baterias, indicados na placa de número se série da máquina].

**NOTA**

*Quando o carregador de baterias está ligado à rede eléctrica, todas as funções da máquina são excluídas automaticamente.*

O led vermelho da carga das baterias (62) aceso com luz fixa indica que o carregador de baterias está a carregar as baterias.  
O led amarelo da carga das baterias (62) aceso com luz fixa indica que o carregador de baterias está a concluir o carregamento das baterias.

4. Quando o led verde se acende, o ciclo de carregamento das baterias está concluído.
5. Ao terminar do ciclo de carregamento, desligue o cabo (41) do carregador de baterias da rede eléctrica e insira-o no alojamento específico atrás do carregador de baterias.
6. Baixe com cuidado o grupo do reservatório (44).
7. A máquina está pronta a utilizar.

**NOTA**

*Para mais informações sobre o funcionamento do carregador de bateria (16), consulte o manual específico.*

## LIMPEZA DO RESERVATÓRIO DO DETERGENTE

(Unicamente para máquinas com sistema EcoFlex™)

Limpe o reservatório do detergente (42) do seguinte modo:

1. Leve a máquina para a zona de despejo específica.
2. Abra a tampa (20) e certifique-se de que o reservatório da água de recuperação (19) está vazio. Caso contrário, esvazie-o através do tubo de descarga (24). Feche a tampa (20).
3. Levante com cuidado o grupo do reservatório (44).
4. Desaparafuse a tampa e desligue o tubo (A, Fig. 10) do reservatório (B).
5. Remova o reservatório.
6. Lave e limpe o reservatório na zona de eliminação designada.
7. Volte a colocar o reservatório (42) no compartimento como na figura e ligue ao tubo (A).
8. Depois do esvaziamento do reservatório do detergente pode ser necessário limpar o sistema EcoFlex™ (consulte o procedimento no parágrafo seguinte).

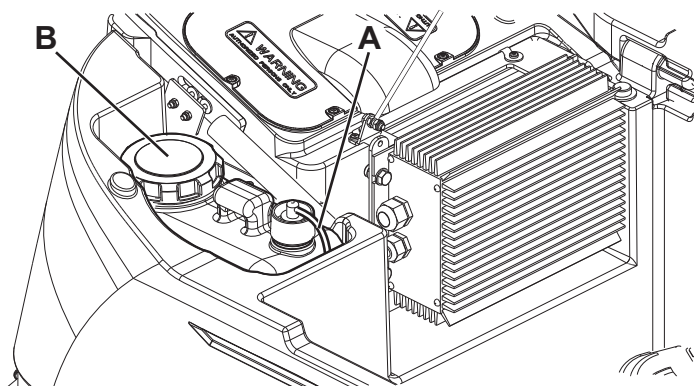


Figura 10

P100371

## PURGA DO SISTEMA ECOFLEX™

(Unicamente para máquinas com sistema EcoFlex™)

1. Limpe o reservatório do detergente como indicado no parágrafo anterior. Para remover o detergente residual presente nas canalizações e na bomba do detergente, da seguinte forma.
2. Ligue a máquina colocando a chave de ignição (58) em "I".
3. Prima o interruptor (53). Controle que o led (54) do interruptor se acende.
4. Prima, ao mesmo tempo, os interruptores (53 e 59), até o led (54) começar a piscar (após cerca de 5 segundos).
5. Solte os interruptores e espere que o led (54) pare de piscar e que o sistema de aspiração seja accionado.
6. Aspire o detergente residual presente no chão.
7. Coloque a chave de ignição (58) em "0".
8. Levante o reservatório (19) e controle que o tubo do reservatório do detergente (42) esteja vazio, caso contrário repita os pontos 3 a 7.



### NOTA

*O ciclo de limpeza demora acerca de 30 segundos, depois dos quais será activada automaticamente a função de aspiração que permite excluir os resíduos de detergente.*

*A operação de limpeza pode ser executada também com o reservatório do detergente (42) cheio de água, obtendo assim uma lavagem profunda do sistema.*

*É aconselhável executar este tipo de limpeza quando o sistema EcoFlex™ estiver muito sujo/incrustado depois de longa inactividade/ausência de limpeza da máquina.*

*A operação de limpeza pode ser executada também para acelerar o enchimento do tubo do detergente quando o reservatório (42) está cheio e o sistema ainda vazio.*

*A operação de limpeza, em caso de necessidade, pode ser executada várias vezes sucessivamente.*

## CONTROLO / SUBSTITUIÇÃO DOS FUSÍVEIS



### NOTA

*Todos os circuitos eléctricos da máquina estão protegidos por dispositivos electrónicos de reposição automática. Os fusíveis de segurança actuam apenas em caso de avaria grave.*

*Recomenda-se portanto que a eventual substituição dos fusíveis seja exclusivamente realizada por pessoal qualificado.*

*Consulte o Manual de assistência disponível nos revendedores Advance.*

## **FUNÇÕES DE SEGURANÇA**

A máquina possui as seguintes funções de segurança.

### **BOTÃO DE EMERGÊNCIA**

Está situado numa posição (8) facilmente acessível por parte do operador. Deve ser premido ponderadamente em caso de necessidade imediata para parar todas as funções da máquina.

Para repor a funcionalidade da máquina, levante o grupo reservatório (44) e ligue o conector das baterias (9).

### **SISTEMA DE SEGURANÇA ANTI-PATINAGEM**

Reduz a velocidade, sempre que for necessário, ao curvar e em caso de inclinação lateral da máquina para um valor de segurança para evitar a patinagem imprevista e aumentar a estabilidade da máquina em qualquer situação.



### **MICROINTERRUPTOR DO ASSENTO DO CONDUTOR**

Situa-se no interior do assento de condução e não permite o funcionamento do sistema de tracção da máquina se o operador não estiver sentado no assento.

### **TRAVÃO ELECTROMAGNÉTICO**

Está integrado na roda dianteira e mantém a máquina travada quando está desligada e sempre que a máquina estiver parada.

## RESOLUÇÃO DE PROBLEMAS

PROBLEMA	CAUSA PROVÁVEL	SOLUÇÃO
Os motores não funcionam; nenhum led se acende.	O conector das baterias está desligado.	Ligue.
	As baterias estão totalmente descarregadas.	Carregue as baterias.
A máquina não se move e o ecrã (71) apresenta um código de erro: 	A máquina foi ligada com a chave de ignição mantendo o pedal premido.	Solte o pedal de marcha. Se o problema persistir, contacte um Centro de assistência autorizado.
Ao ligar a máquina, o led (68) do interruptor (67) pisca e as escovas não funcionam.	Antes de desligar a máquina, a cabeça do porta-escovas não foi levantada.	Espere que cabeça esteja levantada antes de voltar a accionar as escovas premindo o interruptor.
As escovas não funcionam; o led vermelho pisca.	As baterias estão descarregadas.	Carregue as baterias.
Os 3 leds (62) piscam ao mesmo tempo.	Sobrecarga dos motores das escovas.	Utilize escovas menos agressivas ou de tipo diferente ou não trabalhe com a pressão suplementar activada.
	Presença de corpos estranhos (fios presos, etc.) que podem parar a rotação das escovas.	Limpe os cubos das escovas.
O ecrã (71) apresenta um código de erro do tipo:  em que "00" é substituído por um código diferente de "t4".	Condição de alarme do sistema electrónico de controlo da máquina.	Desligar e voltar a ligar a máquina. Se o problema persistir, contacte um Centro de assistência autorizado.
A aspiração da água suja é insuficiente.	O reservatório de água de recuperação está cheio.	Esvazie o reservatório.
	A grelha de aspiração está entupida ou a bóia está presa no fecho.	Limpar a grelha de aspiração.
	O filtro do depósito de recolha de resíduos está entupido.	Limpe.
	O tubo flexível está desligado do limpador.	Ligue.
	O limpador está sujo ou as borrachas do limpador estão gastas ou danificadas.	Limpe o limpador ou vire/substitua as borrachas.
	A tampa do reservatório não foi fechada correctamente ou a junta está estragada.	Feche correctamente a tampa ou limpe/substitua a junta.
O fluxo de solução detergente para as escovas é insuficiente.	O reservatório da solução detergente está vazio.	Encha.
	O filtro da solução detergente está sujo	Limpe o filtro.
	Reservatório do sistema EcoFlex™ sujo/incrustado.	Limpe com ciclo de purga.
O limpador risca o pavimento.	Presença de detritos por baixo das borrachas do limpador.	Remova os detritos.
	Borrachas do limpador gastas, fissuradas ou com lacerações.	Vire ou substitua as borrachas.
	O limpador não foi equilibrado com o manípulo.	Regule o limpador.



## NOTA

A máquina não pode funcionar sem o carregador de bateria.

Em caso de defeito no carregador de baterias, contacte um Centro de assistência qualificado.

Para mais informações, contacte os Centros de assistência Advance.

## FIM DE VIDA

Proceda ao depósito da máquina junto de um demolidor autorizado.

Antes de proceder ao depósito da máquina, é necessário remover e separar os seguintes materiais e enviá-los para o sistema de recolha separada em conformidade com a norma ambiental em vigor:

- Baterias
- Escovas
- Tubos e peças em material plástico
- Partes eléctricas e electrónicas (\*)

(\*) Em particular, para o depósito das partes eléctricas e electrónicas, dirija-se à centro da Advance local.





**Advance**

14600 21st Avenue North  
Plymouth, MN 55447-3408  
[www.advance-us.com](http://www.advance-us.com)  
Phone: 800-989-2235  
Fax: 800-989-6566  
©2010 Nilfisk-Advance, Inc.