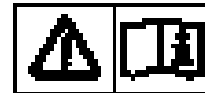


SC6500

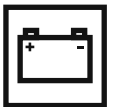
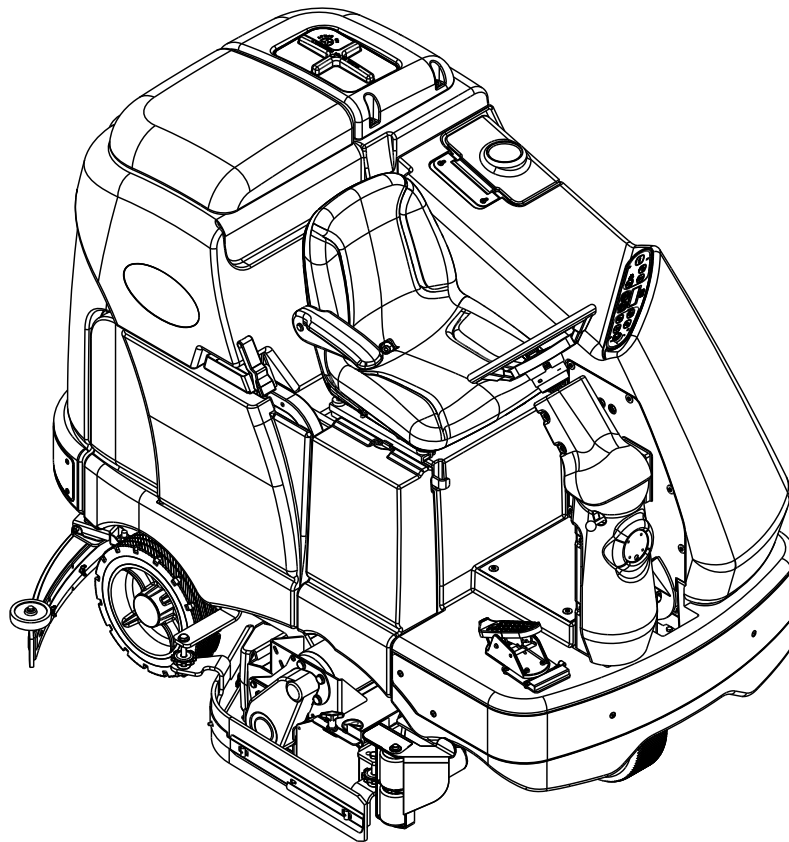
Instructions for use

Instructions For Use
Original Instructions
Instrucciones de uso
Manual de Utilização
Mode d' emploi

2/2014 revised 1/2020 REV F
Form no. 56091095



A-English
B-Español
C-Português
D-Français



Active Models:

56414010 (40C), 56414012 (40D), 56414014 (45C), 56414016 (45D),
56414018 (48C), 56414020 (48D)

OBSOLETE MODELS:

56414011 (40C EcoFlex), 56414013 (40D EcoFlex), 56414015 (45C EcoFlex),
56414017 (45D EcoFlex), 56414019 (48C EcoFlex), 56414021 (48D EcoFlex)

TABLE OF CONTENTS

	page
Introduction.....	A-3
Cautions and Warnings	A-4 – A-5
Know Your Machine.....	A-6 – A-7
Control Panel.....	A-8
Prepare the Machine for Use	
Install the Batteries.....	A-9
Install the Brushes.....	A-10 – A-11
Fill the Solution Tank	A-12
Squeegee Installation.....	A-13
Detergent System.....	A-14 – A-15
Operating the Machine	
Operating the Machine	A-16 – A-17
Scrubbing	A-16
Wet Vacuuming	A-17
After Use.....	A-18
Maintenance Schedule.....	A-18
Lubricating the Machine	A-18 – A-19
Charging the Batteries.....	A-20
Check the Battery Water Level.....	A-20
Squeegee Maintenance.....	A-21
Squeegee Adjustment	A-21
Side Skirt Maintenance.....	A-22 – A-23
Side Broom Maintenance	A-24
Troubleshooting.....	A-25 – A-26
Technical Specifications	A-28 – A-29

CAUTION!

- Use extreme CAUTION when operating this machine. Be certain that you are thoroughly familiar with all operating instructions before using this machine. If you have any questions, contact your supervisor or your local Advance Industrial Dealer.
- If the machine malfunctions, do not try to correct the problem unless your supervisor directs you to do so. Have a qualified company mechanic or an authorized Advance Dealer service person make any necessary corrections to the equipment.
- Use extreme care when working on this machine. Loose clothing, long hair, and jewelry can get caught in moving parts. Turn the Key Switch OFF and remove the key before servicing the machine. Apply the parking brake before getting off of the machine. Use good common sense, practice good safety habits and pay attention to the yellow decals on this machine.
- Drive the machine slowly on inclines. Use the Brake Pedal **(6)** to control machine speed while descending inclines. DO NOT turn the machine on an incline; drive straight up or down.
- The maximum rated incline for scrubbing is 10%. The maximum rated incline during transport is 16%.

INTRODUCTION

This manual will help you get the most from your Advance Rider Scrubber. Read it thoroughly before operating the machine.

Note: Bold numbers in parentheses indicate an item illustrated on pages A-6 – A-8.

This product is intended for commercial use only.

PARTS AND SERVICE

Repairs, when required, should be performed by your Authorized Advance Service Center, who employs factory trained service personnel, and maintains an inventory of Advance original replacement parts and accessories.

Call the ADVANCE DEALER named below for repair parts or service. Please specify the Model and Serial Number when discussing your machine.

MODIFICATIONS

Modifications and additions to the cleaning machine which affect capacity and safe operation shall not be performed by the customer or user without prior written approval from Nilfisk Inc. Unapproved modifications will void the machine warranty and make the customer liable for any resulting accidents.

NAME PLATE

The Model Number and Serial Number of your machine are shown on the Nameplate on the machine. This information is needed when ordering repair parts for the machine. Use the space below to note the Model Number and Serial Number of your machine for future reference.

MODEL NUMBER _____

SERIAL NUMBER _____

UNCRATE THE MACHINE

When the machine is delivered, carefully inspect the shipping packaging and the machine for damage. If damage is evident, save the shipping carton (if applicable) so that it can be inspected. Contact the Advance Customer Service Department immediately to file a freight damage claim. Refer to the unpacking instruction sheet included with the machine to remove the machine from the pallet.

WARNING!

The Products sold with this Manual contain or may contain chemicals that are known to certain governments (such as the State of California, as identified in its Proposition 65 Regulatory Warning Law) to cause cancer, birth defects or other reproductive harm. In certain locations (including the State of California) purchasers of these Products that place them in service at an employment job site or a publicly accessible space are required by regulation to make certain notices, warnings or disclosures regarding the chemicals that are or may be contained in the Products at or about such work sites. It is the purchaser's responsibility to know the content of, and to comply with, any laws and regulations relating to the use of these Products in such environments. The Manufacturer disclaims any responsibility to advise purchasers of any specific requirements that may be applicable to the use of the Products in such environments.

TRANSPORTING THE MACHINE

CAUTION!

Before transporting the machine on an open truck or trailer, make sure that . . .

- All access doors are latched securely.
- The machine is tied down securely - see Tie Down Point locations **(30)**.
- The machine parking brake **(6)** is set.

CAUTIONS AND WARNINGS

SYMBOLS

Advance uses the symbols below to signal potentially dangerous conditions. Always read this information carefully and take the necessary steps to protect personnel and property.

This machine is for commercial use, for example in hotels, schools, hospitals, factories, shops and offices other than normal residential housekeeping purposes.

DANGER!

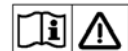
Is used to warn of immediate hazards that will cause severe personal injury or death.

WARNING!

Is used to call attention to a situation that could cause severe personal injury.

CAUTION!

Is used to call attention to a situation that could cause minor personal injury or damage to the machine or other property.



Read all instructions before using.

GENERAL SAFETY INSTRUCTIONS

Specific Cautions and Warnings are included to warn you of potential danger of machine damage or bodily harm.

WARNING!

- This machine shall be used only by properly trained and authorized persons.
- This machine is not intended for use by persons (including children) with reduced physical, sensory or mental capabilities, or lack of experience and knowledge.
- While on ramps or inclines, avoid sudden stops. Avoid abrupt sharp turns. Use low speed down ramps.
- Keep sparks, flame and smoking materials away from batteries. Explosive gases are vented during normal operation.
- Charging the batteries produces highly explosive hydrogen gas. Charge batteries only in well-ventilated areas, away from open flame. Do not smoke while charging the batteries.
- Remove all jewelry when working near electrical components.
- Turn the key switch off (O) and disconnect the batteries before servicing electrical components.
- Never work under a machine without safety blocks or stands to support the machine.
- Do not dispense flammable cleaning agents, operate the machine on or near these agents, or operate in areas where flammable liquids exist.
- Do not pressure wash operator control panel, circuit breaker panel or batteries.
- Only use the brushes provided with the appliance or those specified in the instruction manual. The use of other brushes may impair safety.
- Observe the Gross Vehicle Weight, GVW, of the machine when loading, driving, lifting or supporting the machine.

 CAUTION!

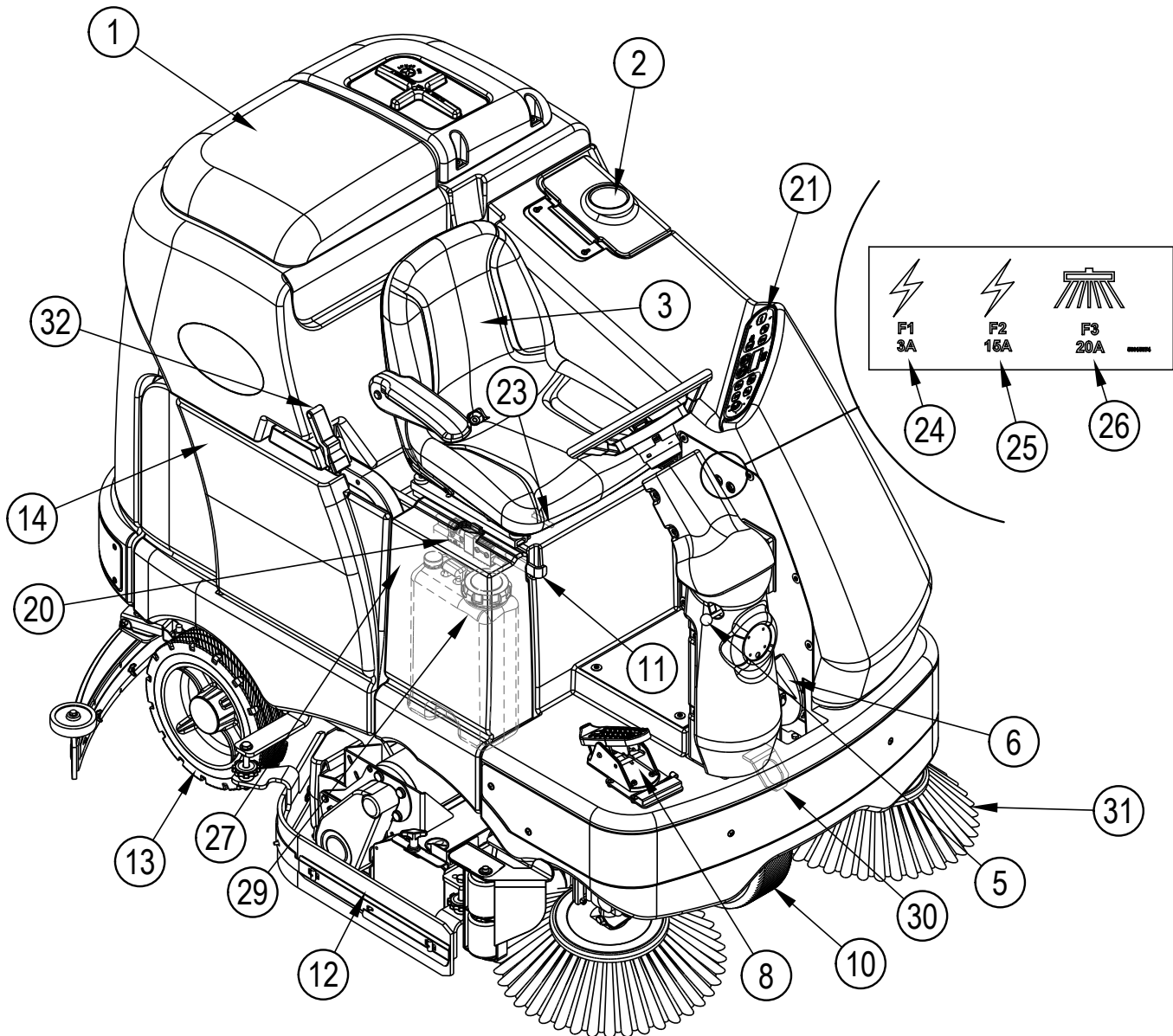
- This machine is not approved for use on public paths or roads.
- This machine is not suitable for picking up hazardous dust.
- Do not use scarifier discs and grinding stones. Advance will not be held responsible for any damage to floor surfaces caused by scarifiers or grinding stones (can also cause damage to the brush drive system).
- When operating this machine, ensure that third parties, particularly children, are not endangered.
- Before performing any service function, carefully read all instructions pertaining to that function.
- Do not leave the machine unattended without first turning the key switch off (O), removing the key and applying the parking brake.
- Turn the key switch off (O) and remove the key, before changing the brushes, and before opening any access panels.
- Take precautions to prevent hair, jewelry, or loose clothing from becoming caught in moving parts.
- Use caution when moving this machine in below freezing temperature conditions. Any water in the solution, recovery or detergent tanks or in the hose lines could freeze, causing damage to valves and fittings. Flush with windshield washer fluid.
- The batteries must be removed from the machine before the machine is scrapped. The disposal of the batteries should be safely done in accordance with your local environmental regulations.
- Do not use on surfaces having a gradient exceeding that marked on the machine.
- All doors and covers are to be positioned as indicated in the instruction manual before using the machine.

SAVE THESE INSTRUCTIONS

KNOW YOUR MACHINE

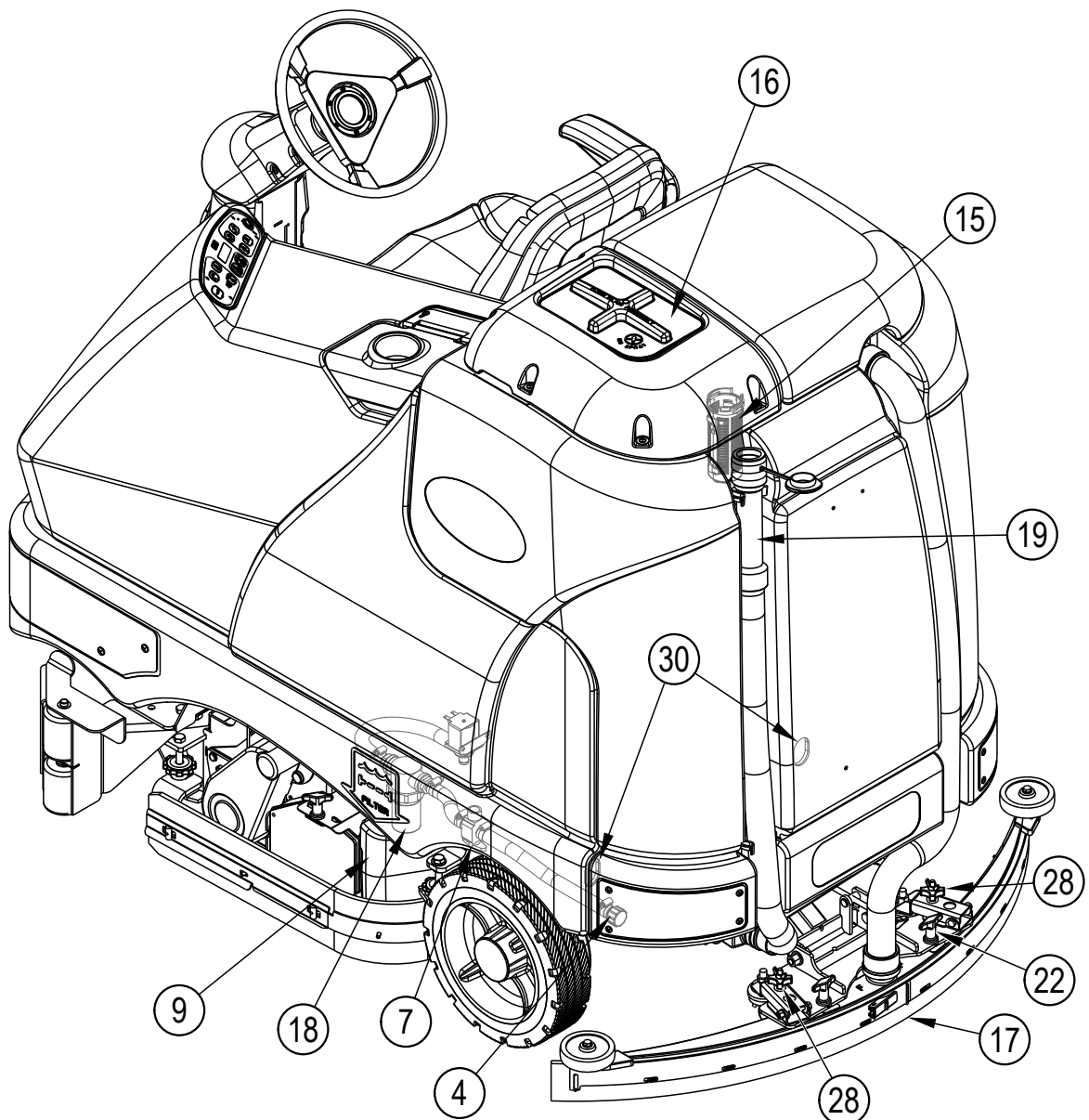
As you read this manual, you will occasionally run across a bold number or letter in parentheses - example: **(2)**. These numbers refer to an item shown on these pages unless otherwise noted. Refer back to these pages whenever necessary to pinpoint the location of an item mentioned in the text. **NOTE:** Refer to the service manual for detailed explanations of each item illustrated on the next 3 pages.

- | | | | |
|----|--|----|---|
| 1 | Recovery Tank Cover | 21 | Control Panel |
| 2 | Solution Tank Fill Cover | 23 | Operator Seat Adjustment Lever |
| 3 | Operator's Seat | 24 | Control Circuit Breaker |
| 5 | Steering Wheel Tilt Adjust Knob | 25 | Auxiliary Circuit Breaker |
| 6 | Parking Brake | 26 | Side Broom Motor Circuit Breaker |
| 8 | Drive Pedal, Directional/Speed | 27 | Side Access Panel |
| 10 | Drive and Steer Wheel | 29 | Detergent Cartridge (EcoFlex models only) |
| 11 | Emergency Stop Switch / Battery Disconnect | 30 | Tie Down Locations |
| 12 | Scrub Deck | 31 | Side Brooms (not all models) |
| 13 | Rear Wheel | 32 | Recovery Tank Latch |
| 14 | Battery Compartment (under recovery tank) | | |
| 20 | Machine Battery Connector | | |



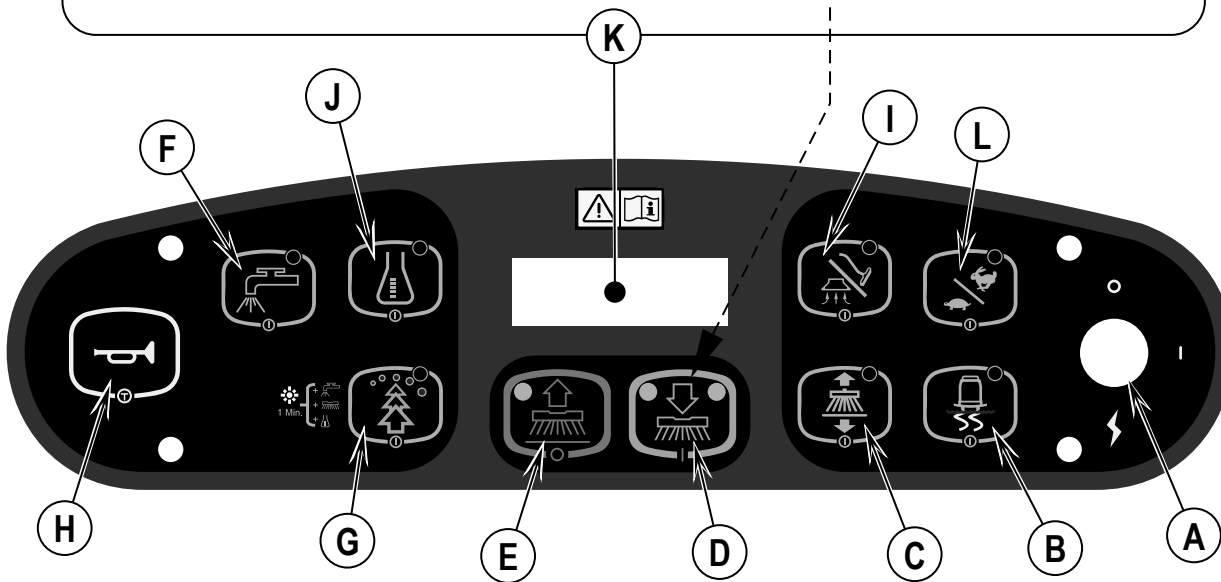
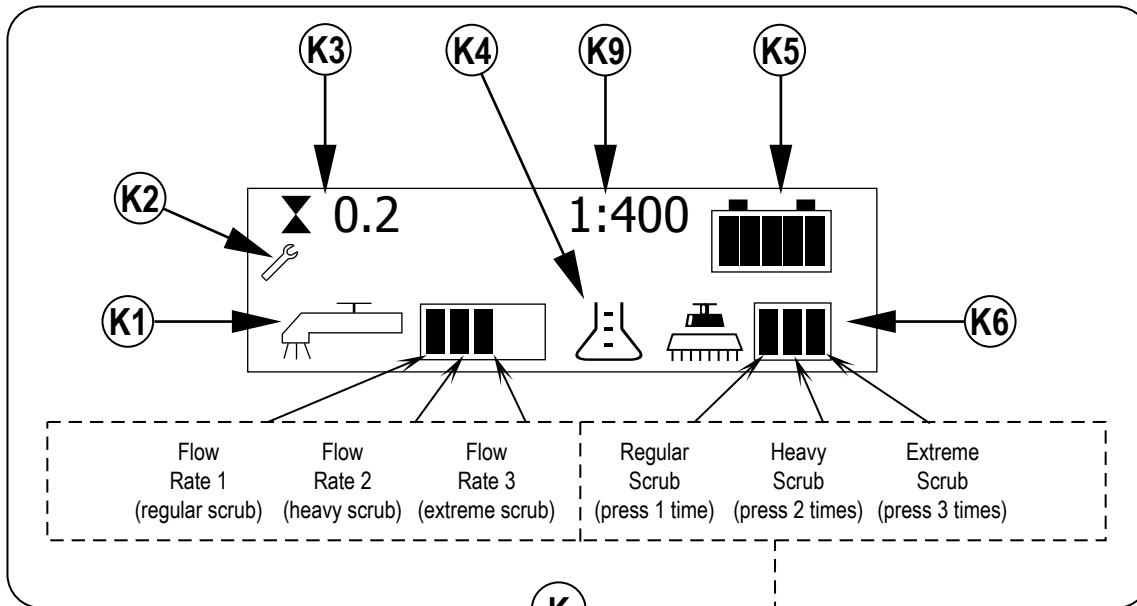
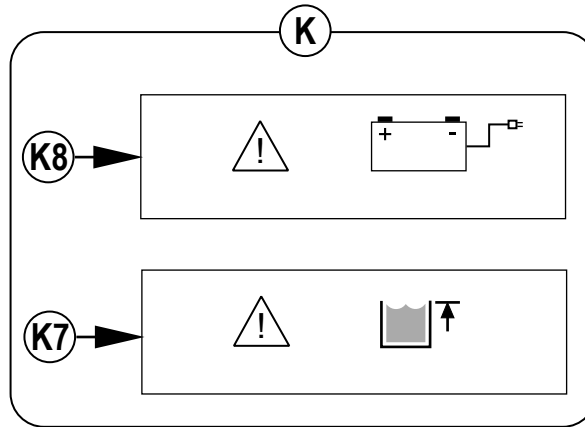
KNOW YOUR MACHINE

- 4 Solution Tank Drain Hose
- 7 Solution Shut off Valve
- 9 Hopper (cylindrical models only)
- 15 Recovery Tank Shutoff Float
- 16 Vacuum Motor Filter Housing
- 17 Squeegee Assembly
- 18 Solution Filter
- 19 Recovery Tank Drain Hose
- 22 Squeegee Tilt Adjust Knob
- 28 Squeegee Height Adjust Knob
- 30 Tie Down Locations



CONTROL PANEL

- A Key Switch
- B Traction Control Switch
- C Side Broom Switch (cylindrical models only)
- D Scrub ON / Scrub Mode Select
- E Scrub OFF
- F Solution Switch
- G Burst of Power Switch
- H Horn
- I Vacuum / Wand Switch
- J Detergent System (EcoFlex models only)
- K Display
- K1 Solution Flow Indicator
- K2 Fault Indicator
- K3 Hour Meter
- K4 Detergent Indicator (if so equipped)
- K5 Battery Indicator
- K6 Scrub Pressure Indicator
- K7 Recovery Tank FULL Indicator
- K8 Battery Low Indicator
- K9 Detergent Ratio Indicator
- L Scrub Speed Switch



INSTALL THE BATTERIES

⚠ WARNING!

Use extreme caution when working with batteries. Sulfuric acid in batteries can cause severe injury if allowed to contact the skin or eyes. Explosive hydrogen gas is vented from the batteries through openings in the battery caps. This gas can be ignited by any electrical arc, spark or flame. Do not install any lead-acid battery in a sealed container or enclosure. Hydrogen gas from overcharging must be allowed to escape.

When Servicing Batteries...

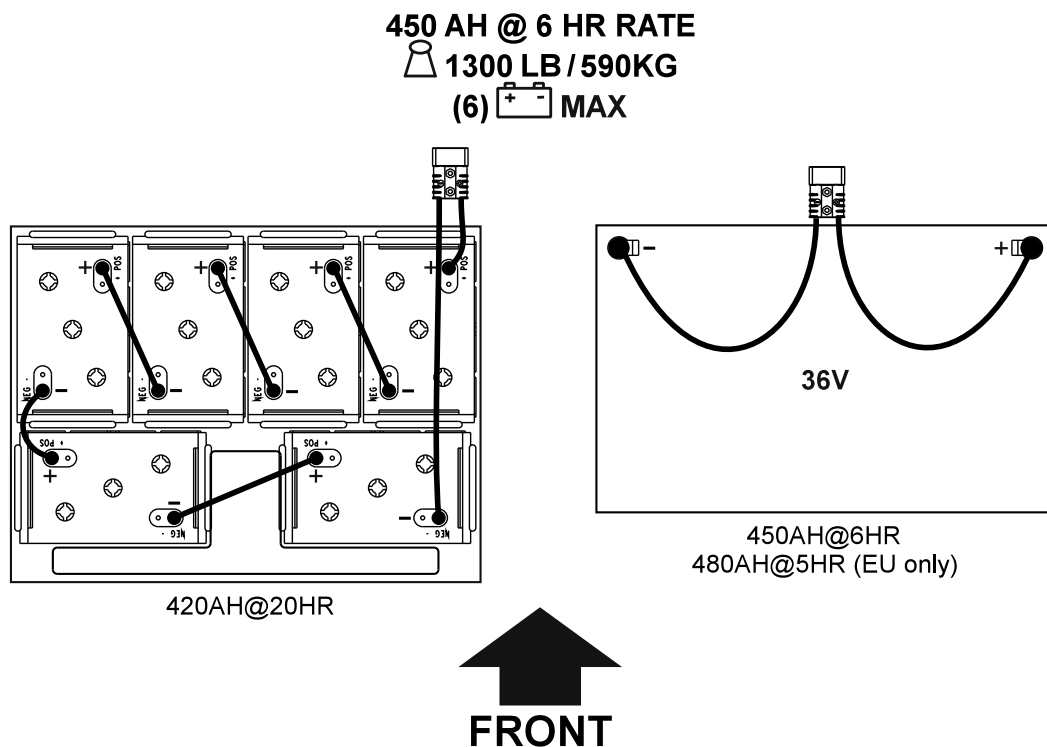
- * Remove all jewelry
- * Do not smoke
- * Wear safety glasses, rubber gloves and a rubber apron
- * Work in a well-ventilated area
- * Do not allow tools to touch more than one battery terminal at a time
- * ALWAYS disconnect the negative (ground) cable first when replacing batteries to prevent sparks.
- * ALWAYS connect the negative cable last when installing batteries.

⚠ CAUTION!

Electrical components in this machine can be severely damaged if the batteries are not installed and connected properly. Batteries should be installed by Advance or by a qualified electrician.

- 1 Remove the batteries from their shipping crate and carefully inspect them for cracks or other damage. If damage is evident, contact the carrier that delivered them or the battery manufacturer to file a damage claim.
- 2 Turn the Master Key Switch (A) OFF and remove the key.
- 3 Remove the recovery tank from the machine. **NOTE:** Disconnect the tether and the vacuum motor wiring and lift the tank straight up and off the machine.
- 4 Your machine comes from the factory with enough battery cables to install six 6 volt batteries. Using at least (2) people and an appropriate lifting strap, carefully lift the batteries into the battery compartment and arrange them exactly as shown in **FIGURE 1**. Secure the batteries as close to the front of the machine as possible. If installing a mono-block battery use an overhead hoist.
- 5 Install the battery cables as shown. Position the cables so the battery caps can be easily removed for battery service.
- 6 Carefully tighten the nut in each battery terminal until the terminal will not turn. Do not over-tighten the terminals, or they will be very difficult to remove for future service.
- 7 Coat the terminals with spray-on battery terminal coating (available at most auto parts stores).
- 8 Put one of the black rubber boots over each of the terminals and connect the Battery Pack Connector (20).

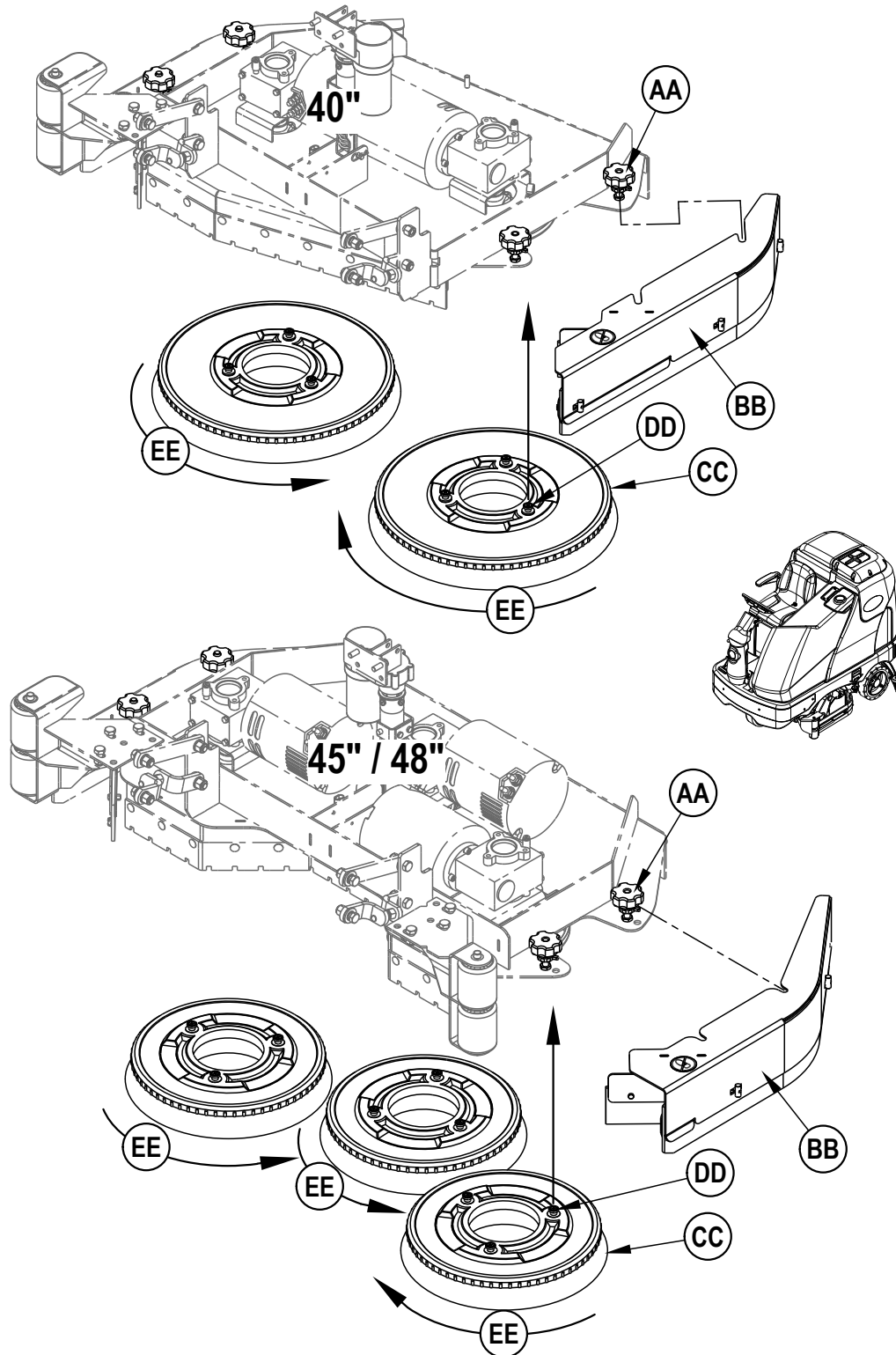
FIGURE 1



INSTALL THE BRUSHES (DISC SYSTEM)**⚠ CAUTION!**

Turn the key switch off (O) and remove the key, before changing the brushes, and before opening any access panels.

- 1 Make sure the Scrub Deck is in the RAISED position. Make sure the Key Switch (A) is off (O).
- 2 See Figure 2. Remove both side skirt assemblies. **NOTE:** The skirts are held in place by two large Knobs (AA). Loosen these knobs and slide the Skirt Assemblies (BB) off of the Scrub Deck.
- 3 To mount the Brushes (CC) (or pad holders) align the Lugs (DD) on the brush with the holes on the mounting plate and turn to lock in place (turn the outside edge of brush towards the front of machine as shown (EE)).

FIGURE 2

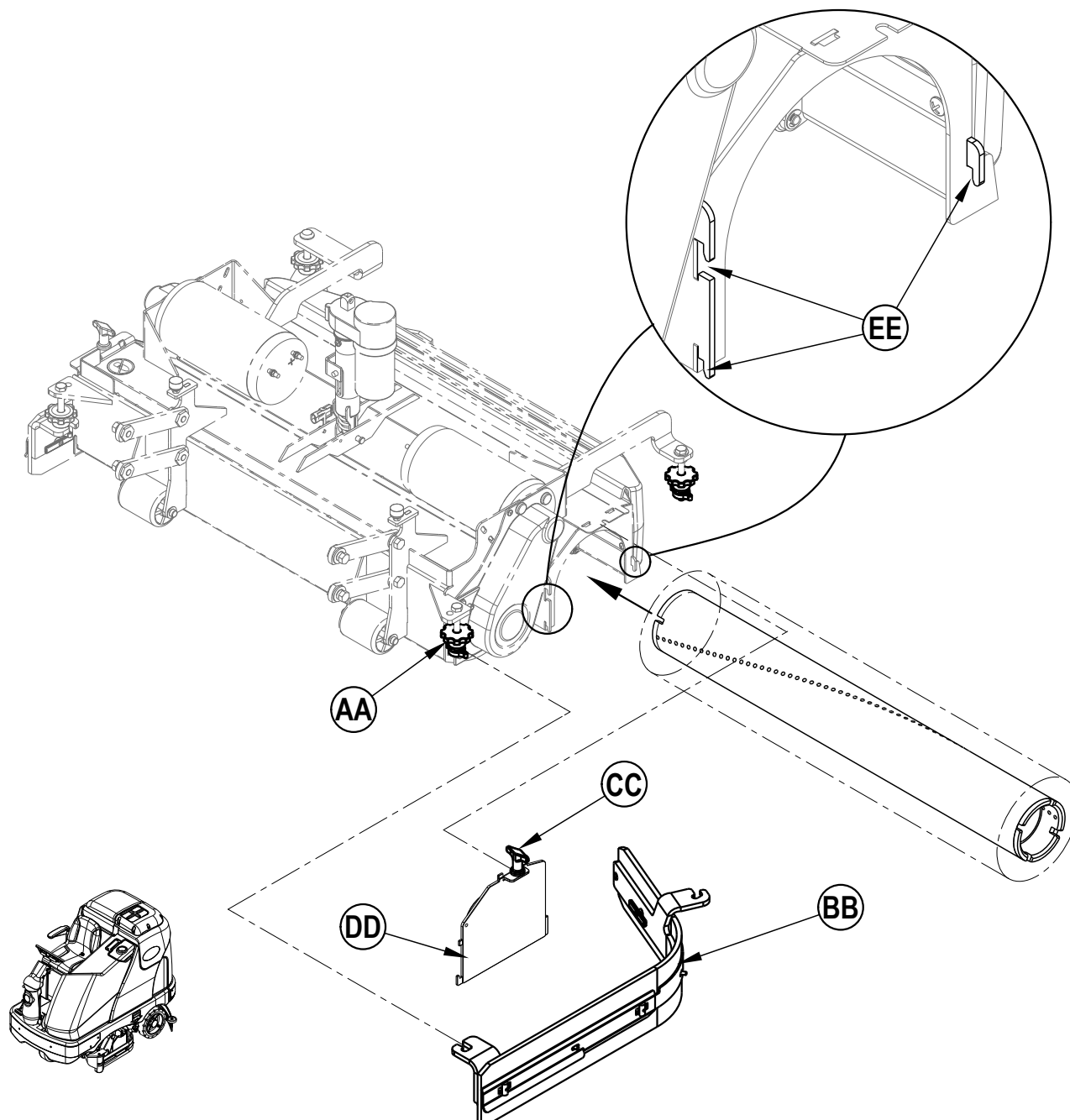
INSTALL THE BRUSHES (CYLINDRICAL SYSTEM)

⚠ CAUTION!

Turn the key switch off (O) and remove the key, before changing the brushes, and before opening any access panels.

- 1 Make sure the Scrub Deck is in the RAISED position. Make sure the Key Switch (A) is off (O).
- 2 See Figure 3. Remove both side skirt assemblies. **NOTE:** The skirts are held in place by two large Knobs (AA). Loosen these knobs, slide the Skirt Assemblies (BB) forward slightly and then off of the Scrub Deck.
- 3 Loosen the Black Knobs (CC) on top of the Idler Assemblies (DD) until they drop down far enough to disengage from the Notches (EE) and remove.
- 4 Slide the brush into the housing, lift slightly, push and turn until it seats. Re-install the Idler Assemblies (DD) and Skirt Assemblies (BB).

FIGURE 3



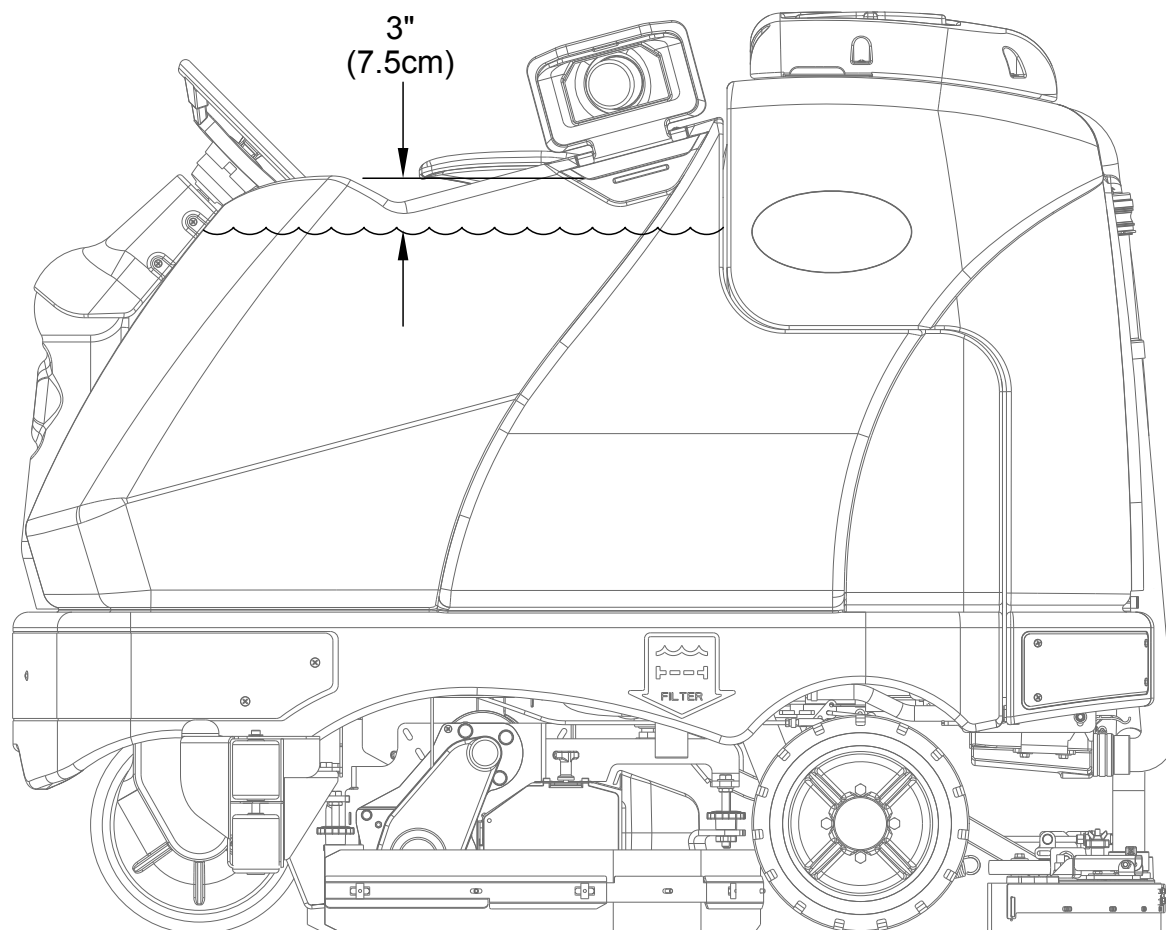
FILLING THE SOLUTION TANK

See Figure 4. Fill the solution tank with a maximum of 70 gallons (264 Liters) of cleaning solution. Do not fill the solution tank above 7.5 cm (3 inches) from the bottom of the Solution Fill (2). The solution should be a mixture of water and the proper cleaning chemical for the job. Always follow the dilution instructions on the chemical container label. **NOTE:** EcoFlex machines can either be used conventionally with detergent mixed in the tank or the detergent dispensing system can be used. When using the detergent dispensing do not mix detergent in the tank, plain water should be used.

⚠ CAUTION!

Use only low-foaming, non-flammable liquid detergents intended for machine application. Water temperature should not exceed 130 degrees Fahrenheit (54.4 degrees Celsius)

FIGURE 4

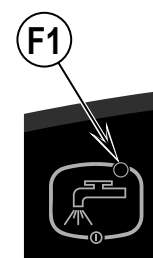


SOLUTION SYSTEM INDICATOR (F1):

See Figure 4.1.

- The indicator will light when the solution system is enabled and/or is switched on.
- The indicator will be off when the solution system is off.
- The indicator will flash when the solution tank (liquid level) float switch senses a low solution level.

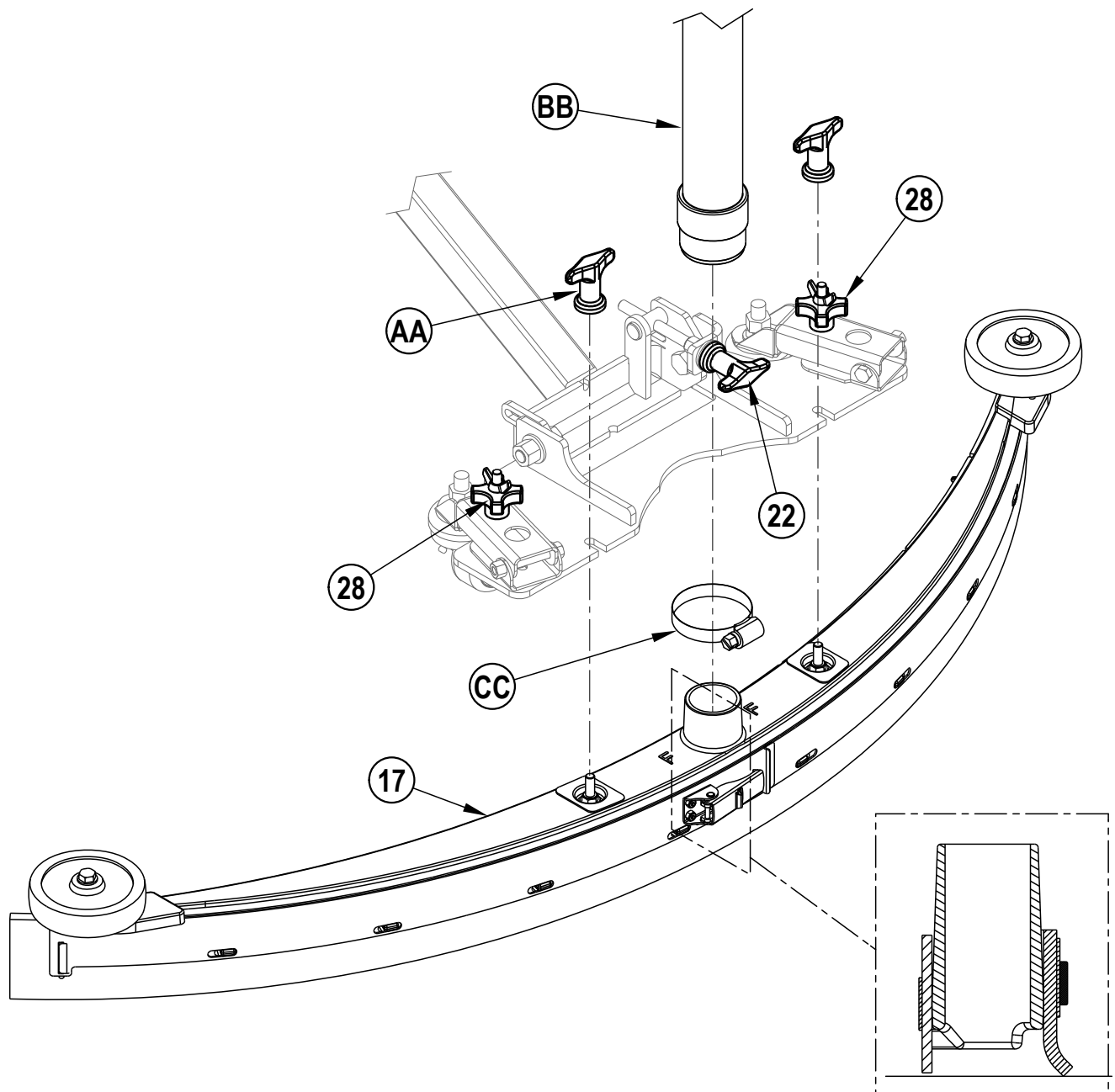
FIGURE 4.1



SQUEEGEE INSTALLATION

- 1 See Figure 5. Slide the Squeegee Assembly (17) onto the squeegee mount bracket and tighten the Squeegee Mount Thumb Nuts (AA).
- 2 Connect the Recovery Hose (BB) to the squeegee inlet using Hose Clamp (CC).
- 3 Follow the steps in the "Squeegee Adjustment" section to properly adjust the squeegee height and angle.

FIGURE 5



DETERGENT SYSTEM PREPARATION AND USE (ECOFLEX MODELS ONLY)

The Detergent Cartridge (29) is located behind the Side Access Panel (27). Fill the detergent cartridge with a maximum of 2.2 gallons (8.32 Liters) of detergent.

SERVICE NOTE: Remove the detergent cartridge from the detergent box prior to filling to avoid spilling detergent on the machine.

It is recommended that a separate cartridge be used for each detergent you plan to use. The detergent cartridges have a white decal on them so you can write the detergent name on each cartridge to avoid mixing them up. The system should be purged of previous detergent when switching to a different detergent. When installing a new cartridge, remove the Cap (AA) and place the cartridge in the detergent box. Install the Dry Break Cap (BB) and detergent hose as shown.

The system should be purged of previous detergent when switching to a different detergent. **SERVICE NOTE:** Move machine over floor drain before purging because a small amount of detergent will be dispensed in the process.

To Purge When Changing Detergents (SCRUB AND SOLUTION SYSTEMS MUST BE OFF):

- 1 Disconnect and remove the detergent cartridge.
- 2 Turn the Key Switch (A) ON. Press and hold the Solution Switch (F) and the Detergent Switch (J) down for 3 seconds. Release the switches when the detergent purge icon (K10) appears on the display and the Detergent Switch Indicator (J1) starts flashing. **NOTE:** Once activated the purge process takes 10 seconds. See illustration on next page for Detergent System indicators. Normally one purge cycle is adequate to purge the system.

To Purge Weekly (SCRUB AND SOLUTION SYSTEMS MUST BE OFF):

- 1 Disconnect and remove the detergent cartridge. Install and connect a Cartridge filled with clean water.
- 2 Turn the Key Switch (A) ON. Press and hold Solution Switch (F) and the Detergent Switch (J) down for 3 seconds. Release the switches when the detergent purge icon (K10) appears on the display and the Detergent Indicator (J1) starts flashing. **NOTE:** Once activated the purge process takes 10 seconds. See illustration on next page for Detergent System indicators. Normally one purge cycle is adequate to purge the system.

When the detergent level is nearing the bottom of the cartridge it is time to refill or replace the cartridge.

SERVICE NOTE: Follow the "To Purge Weekly" instructions above if the machine is going to be stored for an extended period of time or if you plan to discontinue use of the detergent system.

Detergent Ratio (SCRUB SYSTEM MUST BE ON):

No detergent is dispensed until the scrub and detergent systems are enabled and the Drive Pedal (8) pushed forward.

- The detergent icon (K4) will always be displayed when the detergent system is on.

There are 4 modes of EcoFlex operation:

1. *Plain Water Cleaning Mode* - During scrubbing, the detergent system can be turned off at any time by pressing the Detergent ON/OFF Switch (J) to allow scrubbing with water only. Detergent Indicator (J1) will be OFF.
2. *Minimum Concentration Detergent Mode* – Burst of Power Indicator (G1) ON (Activated by momentarily pressing Burst of Power Switch (G) when in maximum concentration detergent mode). See below the steps "To program the Minimum Detergent Level".
3. *Maximum Concentration Detergent Mode* – Burst of Power Indicator (G1) OFF (Activated by pressing and holding Burst of Power Switch (G) for 2 seconds). See below the steps "To program the Maximum Detergent Level". Do not use a concentration level exceeding the detergent manufacturer's recommendation.
4. *Burst of Power Cleaning Mode* – Press the Burst of Power Switch (G) to increase the detergent ratio for one minute to the pre-programmed "maximum concentration" detergent level (as noted in programming instructions below). This will also cause the solution flow rate to increase to the next level and the scrub pressure to increase to the next level. Burst of Power Indicator (G1) will blink for one minute.

To program the Maximum Concentration Detergent Level

1. Press the OneTouch™ Scrub switch (D) to activate the scrub system.
2. Press and hold the Burst of Power Switch (G) for approximately 2 seconds until the indicator (G1) is OFF (maximum concentration detergent mode).
3. Press and hold the detergent switch for approximately 2 seconds until the indicator (J1) flashes.
4. While the indicator is flashing, pressing and releasing the detergent switch will cycle through the available ratios (400:1, 300:1, 256:1, 200:1, 150:1, 128:1, 100:1, 64:1, 50:1, 32:1).
5. Once the desired ratio is displayed on the screen (K9), stop and it will save the setting after 3 seconds.
6. Whenever the maximum concentration detergent setting is set to a lower concentration than the current minimum programmed concentration setting, the minimum concentration default setting will be equal to the maximum concentration setting until changed by the operator.

To program the Minimum Concentration Detergent Level

1. Press the OneTouch™ Scrub switch (D) to activate the scrub system.
2. Ensure the Burst of Power Indicator (G1) is ON (minimum concentration detergent mode).
3. Press and hold the detergent switch for approximately 2 seconds until the indicator (J1) flashes.
4. While the indicator is flashing, pressing and releasing the detergent switch will cycle through the available ratios (Note: only ratios that are a lower concentration or equal to the maximum detergent setting will be available).
5. Once the desired ratio is displayed on the screen (K9), stop and it will save the setting after 3 seconds.

Once set, the detergent flow rate automatically increases and decreases with the solution flow rate, but the detergent ratio remains the same.

DETERGENT SYSTEM PREPARATION AND USE (ECOFLEX MODELS ONLY)

FIGURE 6

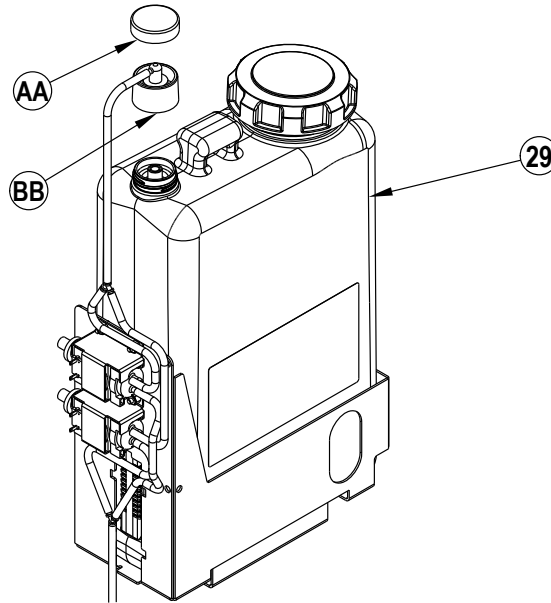
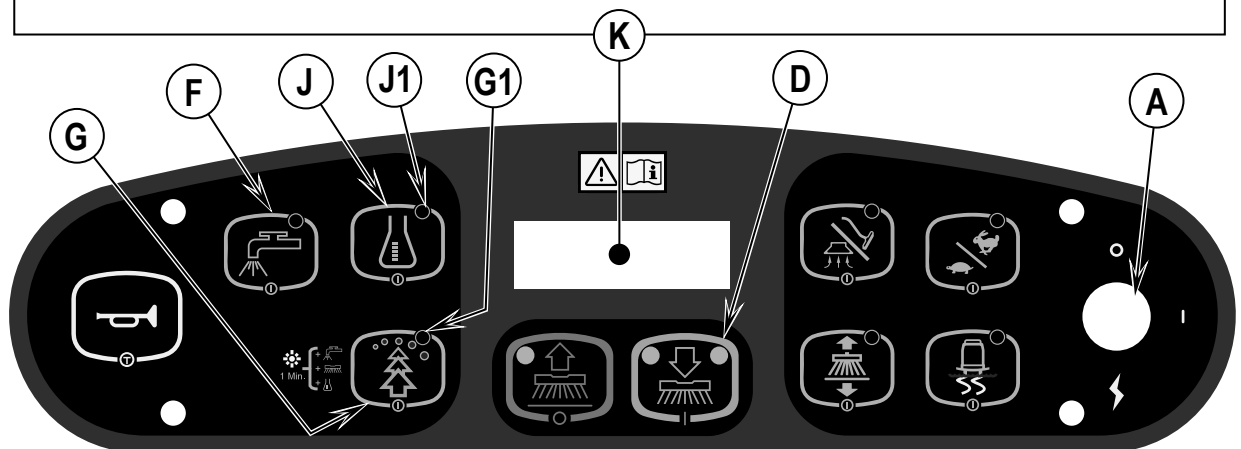


FIGURE 7

0.2 	(K10)			Purge Press (J) & (F) for 3 seconds to purge.	
0.2 	(K9)	1:400			Minimum concentration detergent mode
0.2 	(K4)	1:200			Maximum concentration detergent mode



OPERATING THE MACHINE

WARNING!

Be sure you understand the operator controls and their functions.

While on ramps or inclines, avoid sudden stops when loaded. Avoid abrupt sharp turns. Use low speed down hills.

To Scrub...

Follow the instructions in "preparing the machine for use" section of this manual.

- 1 **See Figure 8.** While seated on the machine, adjust the seat and steering wheel to a comfortable operating position using the adjustment controls **(23)** and **(5)**.
- 2 Turn the Master Key Switch **(A)** ON (I). This will display the control panel indicator lights. Reference the Battery Condition Indicator **(K5)** and Hour Meter **(K3)** before proceeding.
- 3 Release the Parking Brake **(6)**. To transport the machine to the work area, apply even pressure with your foot on the front of the Drive Pedal **(8)** to go forward or the rear of the pedal for reverse. Vary the pressure on the foot pedal to obtain the desired speed.
- 4 Press the Solution Switch **(F)** and hold for 5 seconds to pre-wet the floor. **NOTE:** This will help prevent scarring of the floor surface when starting to scrub with dry brushes. This must be done prior to pressing the Scrub ON Switch **(D)**.
- 5 Press the Scrub ON Switch **(D)** once for Regular Scrub, twice for Heavy Scrub or three times for Extreme Scrub mode. Both the solution flow and detergent (EcoFlex models) flow have 3 presets that coincide with the 3 scrub modes (see Control Panel).
NOTE: There is a solution flow rate override function if you wish to increase solution flow without increasing scrub pressure. Hold the Solution Switch **(F)** for 3 seconds (solution indicator will start flashing) and then let go. You then have 3 seconds to set a different flow rate by simply pressing the Solution Switch **(F)** repeatedly until the Solution Flow Indicator **(K1)** shows the rate you desire (1-5 / see Control Panel). Any subsequent scrub pressure adjustments will reset the solution flow rate to default.
- 6 When the Scrub ON Switch **(D)** is selected, the brushes, squeegee and side brooms (cylindrical models) are automatically lowered to the floor. The scrub, solution, vacuum, detergent (EcoFlex models) and side brooms (cylindrical models) systems are all automatically enabled and will start when the Drive Pedal **(8)** is activated. Any individual system can be turned OFF or back ON by simply pressing its switch at any time during scrubbing.
NOTE: When operating the machine in reverse the squeegee automatically raises.
- 7 Begin scrubbing by driving the machine forward in a straight line at a normal walking speed and overlap each path by 2-3 inches (50-75 mm). Adjust the machine speed and solution flow when necessary according to the condition of the floor.
NOTE: The maximum scrub speed can be increased by pressing the Scrub Speed Switch **(L)**. The default maximum scrub speed is less than the maximum transport speed. Pressing this switch overrides this default and allows scrubbing at the maximum transport speed.
If scrubbing on a smooth floor surface or double-scrubbing turning on the Traction Control™ button **(B)** regulates the drive wheel torque providing increased control and enhanced traction on the floor.
The side broom height can be adjusted. See the "Side Broom Maintenance" section of this manual.

CAUTION!

To avoid damaging the floor, keep the machine moving while the brushes are turning.

- 8 When scrubbing, check behind the machine occasionally to see that all of the waste water is being picked up. If there is water trailing the machine, you may be dispensing too much solution, the recovery tank may be full, or the squeegee tool may require adjustment.
- 9 The machine defaults to the last cleaning mode used Minimum or Maximum Concentration Detergent (if detergent is installed and was activated). Press the Burst of Power Switch **(G)** to override the current cleaning mode and temporarily increase scrub pressure, solution flow and the detergent ratio (unless in Maximum Concentration). This will cause the indicator to flash for one minute, solution flow rate will increase to the next level, scrub pressure will increase to the next level and the detergent ratio will be at the Maximum Concentration level (detergent system will be turned on if it was off).
NOTE: Pressing and holding the Burst of Power Switch **(G)** for 2 seconds changes between the Minimum and Maximum Concentration operating modes. The EcoFlex system will only function if the scrub system **(D)** has been enabled.
- 10 For extremely dirty floors, a one-pass scrubbing operation may not be satisfactory and a "double-scrub" operation may be required. This operation is the same as a one-pass scrubbing except on the first pass the squeegee is in the up position (press the Vacuum/Wand Switch **(I)** to raise the squeegee). This allows the cleaning solution to remain on the floor to work longer. The final pass is made over the same area, with the squeegee lowered to pick up the accumulated solution.
- 11 The recovery tank has a shut-off float **(15)** that causes ALL systems to turn OFF except the drive system when the recovery tank is full. When this float is activated, the recovery tank must be emptied. The machine will not pick up water or scrub with the float activated.
NOTE: All other indicators vanish and a "Recovery Tank FULL" Indicator **(K7)** appears on the Display Panel when the float is activated. If the control repeatedly gives a full indication when the tank is not full, the automatic shut-off feature can be disabled, have a qualified service technician refer to the service manual to perform this function.
- 12 When the operator wants to stop scrubbing or the recovery tank is full, press the Scrub OFF Switch **(E)** once. This will automatically stop the scrub brushes and solution flow and the scrub deck will raise up. The squeegee will raise up after a brief delay and the vacuum will stop after a brief delay (this is to allow any remaining water to be picked up without turning the vacuum back on).
- 13 Drive the machine to a designated waste water "DISPOSAL SITE" and empty the recovery tank. To empty, pull the Drain Hose **(19)** from its rear storage area, then remove the plug (hold the end of the hose above the water level in the tank to avoid sudden, uncontrolled flow of waste water). Refill the solution tank and continue scrubbing.

NOTE: Make sure the Recovery Tank Cover **(1)** and the Recovery Tank Drain Hose **(19)** cap are properly seated or the machine will not pick-up water correctly.

When the batteries require recharging the Battery LOW Indicator **(K8)** will come on, the scrub brushes and solution flow will stop and the scrub deck will raise up. The squeegee will raise up after a brief delay and the vacuum will stop after a brief delay. Transport the machine to a service area and recharge the batteries according to the instructions in the Battery section of this manual.

WET VACUUMING

Steps to follow in fitting the machine with optional attachments for wet vacuuming.

- 1 Disconnect the recovery hose from the squeegee (17). Connect the coupler and hose from the wand kit to the recovery hose.
- 2 Attach suitable wet pick-up tools to the hose. (An optional Wand Kit PN56413687 is available from Advance).
- 3 Turn the Master Key Switch (A) ON and press the Vacuum/Wand Switch (I). The vacuum motor and the pump will run continuously until the switch is pressed again to turn it OFF. **NOTE:** The "Recovery Tank FULL" indicator is disabled when the wand mode is activated. The float will stop the flow into the recovery tank.

SERVICE NOTE: Refer to the service manual for detailed functional descriptions of all controls and optional programmability.

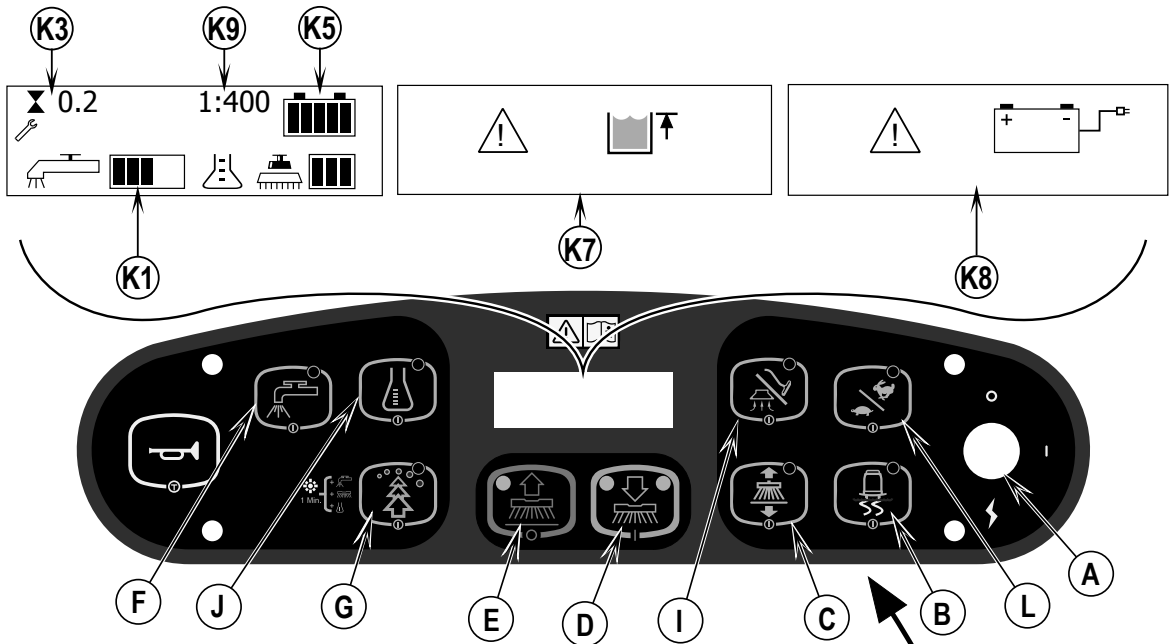
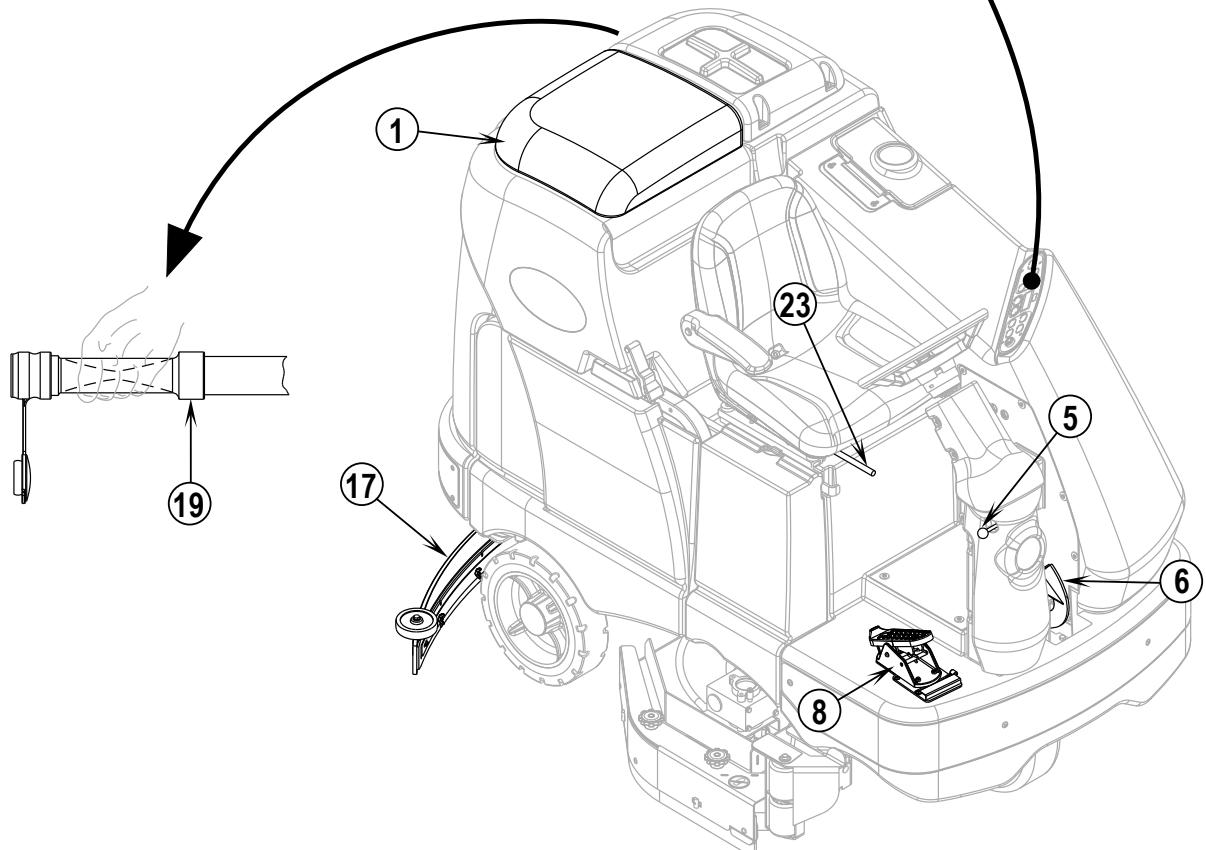


FIGURE 8



AFTER USE

- 1 When finished scrubbing, press the Scrub Off Switch (E). This will automatically raise, retract and stop all the machine systems (brush, squeegee, vacuum, solution and detergent (EcoFlex models)). Then drive the machine to a service area for daily maintenance and review of other needed service up keep.
- 2 To empty the solution tank, remove the Solution Drain Hose (4) from it's storage clamp. Direct the hose to a designated "DISPOSAL SITE" and remove the plug. Rinse the tank with clean water.
- 3 To empty the recovery tank, pull the Recovery Tank Drain Hose (19) from its storage area. Direct the hose to a designated "DISPOSAL SITE" and remove the plug (hold the end of the hose above the water level in the tank to avoid sudden, uncontrolled flow of waste water). The Recovery Tank Drain Hose can be squeezed to regulate the flow. Rinse the recovery tank with clean water. Inspect the recovery and vacuum hoses; replace if kinked or damaged.
- 4 Remove the brushes or pad holders. Rinse the brushes or pads in warm water and hang up to dry.
- 5 Remove the squeegee, rinse it with warm water and re-install on mount.
- 6 Remove the hopper on cylindrical systems and clean thoroughly. Remove from either side of the machine by removing the skirt and tilting the hopper up and away from housing, then pull out.
- 7 Check the maintenance schedule below and perform any required maintenance before storage.

MAINTENANCE SCHEDULE

MAINTENANCE ITEM	Daily	Weekly	Monthly	Yearly
Charge Batteries	X			
Check/Clean Tanks & Hoses	X			
Check/Clean/Rotate the Brushes/Pads	X			
Check/Clean the Squeegee	X			
Check/Clean Vacuum Shut-Off Float	X			
Check/Clean the vacuum motor foam filter(s)	X			
Clean Hopper on Cylindrical System	X			
Check Each Battery Cell(s) Water Level		X		
Inspect Scrub Housing Skirts		X		
Inspect and clean Solution Filter		X		
Check Foot/ Parking Brake For Wear & Adjustment		X		
Clean Solution Trough on Cylindrical System		X		
Purge Detergent System (EcoFlex only)		X		
Side Broom Maintenance		X		
Lubrication - Grease Fittings			X	
* Check Carbon Brushes				X

* Have Advance check the vacuum motor carbon motor brushes once a year or after 300 operating hours. The brush and drive motor carbon brushes check every 500 hours or once a year.

NOTE: Refer to the Service Manual for more detail on maintenance and service repairs.

- 8 Store the machine indoors in a clean dry place. Keep from freezing. Leave the tanks open to air them out.
- 9 Turn the Master Key Switch (A) OFF (O) and remove the key.
- 10 Batteries are the most expensive replacement item on this machine. To protect your investment and to get as many cycles from the batteries as possible, remember the following:
 - Batteries will last longer if kept fully charged.
 - Batteries equipped with this machine will not develop a memory.
 - Batteries will last longer and will deliver more cycles if they are opportunity charged.
 - Battery chargers will not over or undercharge the batteries.
 - Batteries will prematurely fail if stored in a discharged state.
 - Every day after use, the battery charger must be plugged in and the charger must be allowed to run through a full charging sequence to fully charge the batteries.

LUBRICATING THE MACHINE – FIGURE 9

Once a month, pump a small amount of grease into each grease fitting on the machine until grease seeps out around the bearings.

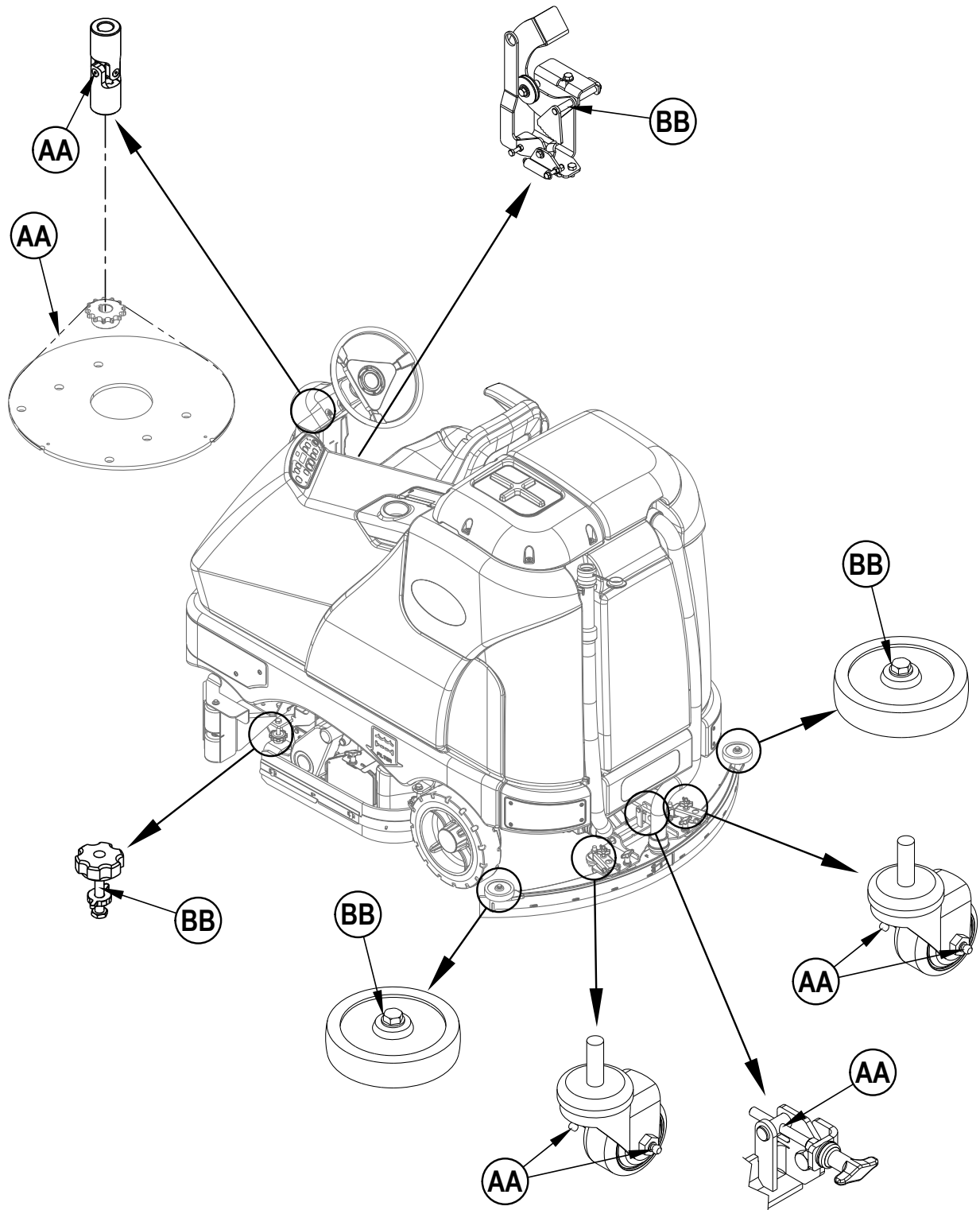
Grease fitting locations (or apply grease to) (AA):

- Squeegee Caster Wheel Axle and Pivot
- Steering Wheel Shaft Universal joint
- Steering Chain
- Squeegee mount angle adjustment knob threads

Once a month, apply light machine oil or synthetic lubricant spray to lubricate (BB):

- Squeegee tool end wheels
- Brake Pedal (parking brake) linkage
- Side Skirt Height Adjustment Knobs

FIGURE 9



CHARGING THE BATTERIES

Charge the batteries each time the machine is used or when the Battery Indicator (**K5**) is reading less than full.

To Charge the Batteries...

- 1 **See Figure 10.** Depress the Battery Disconnect (**11**).
- 2 Open Side Access Panel (**27**) and push the connector from the charger into the Battery Connector (**20**).
- 3 Follow the instructions on the battery charger.
- 4 After charging the batteries check the fluid level in all battery cells. Add distilled water, if necessary, to bring the fluid level up to the bottom of the filler tubes.

⚠ WARNING!

Do not fill the batteries before charging.
Charge batteries in a well-ventilated area.
Do not smoke while servicing the batteries.

When Servicing Batteries...

- * Remove all jewelry
- * Do not smoke
- * Wear safety glasses, rubber gloves and a rubber apron
- * Work in a well-ventilated area
- * Do not allow tools to touch more than one battery terminal at a time
- * ALWAYS disconnect the negative (ground) cable first when replacing batteries to prevent sparks.
- * ALWAYS connect the negative cable last when installing batteries.

⚠ CAUTION!

To avoid damage to floor surfaces, wipe water and acid from the top of the batteries after charging.

CHECKING THE BATTERY WATER LEVEL

Check the water level of the batteries at least once a week. After charging the batteries, remove the vent caps and check the water level in each battery cell. Use distilled or demineralized water in a battery filling dispenser (available at most auto parts stores) to fill each cell to the level indicator (or to 10 mm over the top of the separators). **DO NOT** over-fill the batteries!

⚠ CAUTION!

Acid can spill onto the floor if the batteries are overfilled. Tighten the vent caps. Wash the tops of the batteries with a solution of baking soda and water (2 tablespoons of baking soda to 1 liter of water).

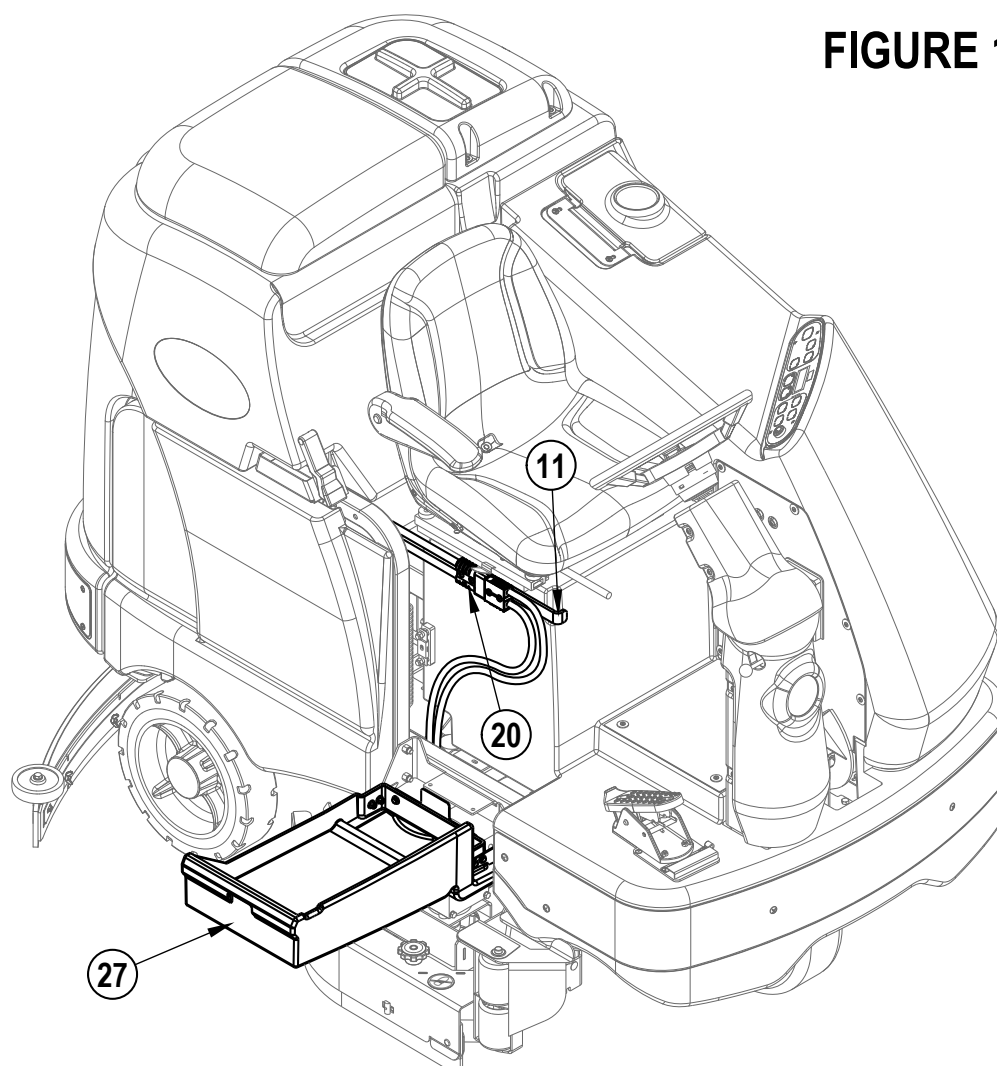


FIGURE 10

SQUEEGEE MAINTENANCE

If the squeegee leaves narrow streaks or water, the blades may be dirty or damaged. Remove the squeegee, rinse it under warm water and inspect the blades. Reverse or replace the blades if they are cut, torn, wavy or worn.

To Reverse or Replace the Rear Squeegee Wiping Blade...

- 1 See **Figure 11**. Raise the squeegee tool off the floor, then unsnap the Center Latch (**AA**) on the squeegee tool.
- 2 Remove the Tension Straps (**BB**).
- 3 Slip the rear blade off the alignment pins.
- 4 The squeegee blade has 4 working edges as shown below. Turn the blade so a clean, undamaged edge faces toward the front of the machine. Replace the blade if all 4 edges are nicked, torn or worn to a large radius.
- 5 Install the blade, following the steps in reverse order and adjust the squeegee tilt.

To Reverse or Replace the Front Squeegee Blade...

- 1 Raise the squeegee tool off the floor, then loosen the (2) Thumb Nuts (**CC**) on top of the squeegee and remove the squeegee tool from the mount.
- 2 Remove both rear Tension Straps first.
- 3 Remove all the wing nuts that hold the front blade in place, then remove tension strap and blade.
- 4 The squeegee blade has 4 working edges as shown below. Turn the blade so a clean, undamaged edge faces toward the front of the machine. Replace the blade if all 4 edges are nicked, torn or worn to a large radius.
- 5 Install the blade, following the steps in reverse order and adjust the squeegee tilt.

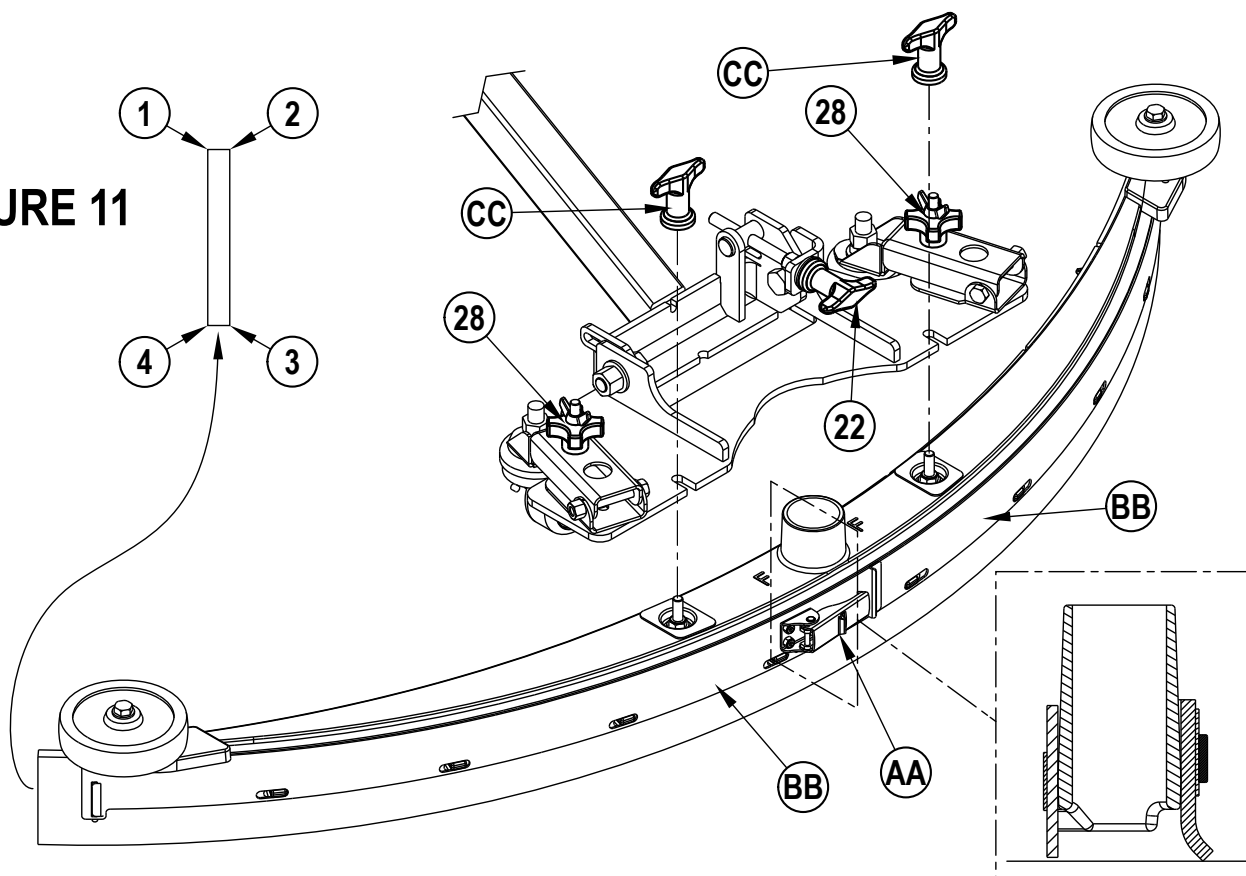
SQUEEGEE ADJUSTMENT

There are two squeegee tool adjustments possible, angle and height.

Adjust the squeegee angle whenever a blade is reversed or replaced, or if the squeegee is not wiping the floor dry.

- 1 Park the machine on a flat, even surface.
- 2 Lower the squeegee, move the machine ahead slightly and adjust the squeegee tilt and height using the Squeegee Tilt Adjust Knob (**22**) and Squeegee Height Adjust Knobs (**28**) so that the rear squeegee blade touches the floor evenly across its entire width and is bent over slightly as shown in the squeegee cross section.
- 3 Squeegee height is pre-set at the factory but may require periodic adjustment due to caster wear. Proper squeegee height is achieved when the front squeegee blade is in contact with the floor but not bent over. Use Height Adjust Knobs (**28**) to ensure blade position is uniform left to right.
- 4 The Tilt Adjust Knob (**22**) is used to adjust the tool angle for uniform contact from center to tips of blade.

FIGURE 11



SIDE SKIRT MAINTENANCE

The side skirt's function is to channel the waste water to the squeegee, helping contain the water within the machines cleaning path. During normal use the blades will wear in time. The operator will notice a small amount of water leaking out underneath the side skirts. A height adjustment can easily be made to lower the blades so that all the water can be pick-up by the squeegee.

To reverse or replace the scrub system side skirt(s) ...

- 1 **See Figure 12.** Loosen the (2) side skirt Retainer Knobs **(AA)** (2 per side) and remove the Skirt Assemblies **(BB)** from the scrub deck. **NOTE:** Remove the skirts by first sliding them forward and then pulling them off.
- 2 Remove all the hardware that holds the blades to the skirt housings. **NOTE:** The main blade on each skirt housing is held on with Tool-less Retainers. Simply loosen the large Wing nuts **(CC)** and then turn the Knobs **(DD)** on the outside of the skirt housing until they are horizontal and push through the slots. The small inside Blade **(EE)** on disk models is held on by a plate and two screws and nuts, it has 2 working edges.
- 3 The main skirt blade has 4 working edges as shown. Turn the blade so a clean, undamaged edge faces toward the center of the machine. Replace the blades as a set if all 4 edges are nicked, torn or worn beyond their ability to be adjusted.
- 4 Reinstall the skirt housing assemblies onto the machine and adjust the blade for proper contact to the floor when the brush deck is placed in the scrub position.

SIDE SKIRT HEIGHT ADJUSTMENT

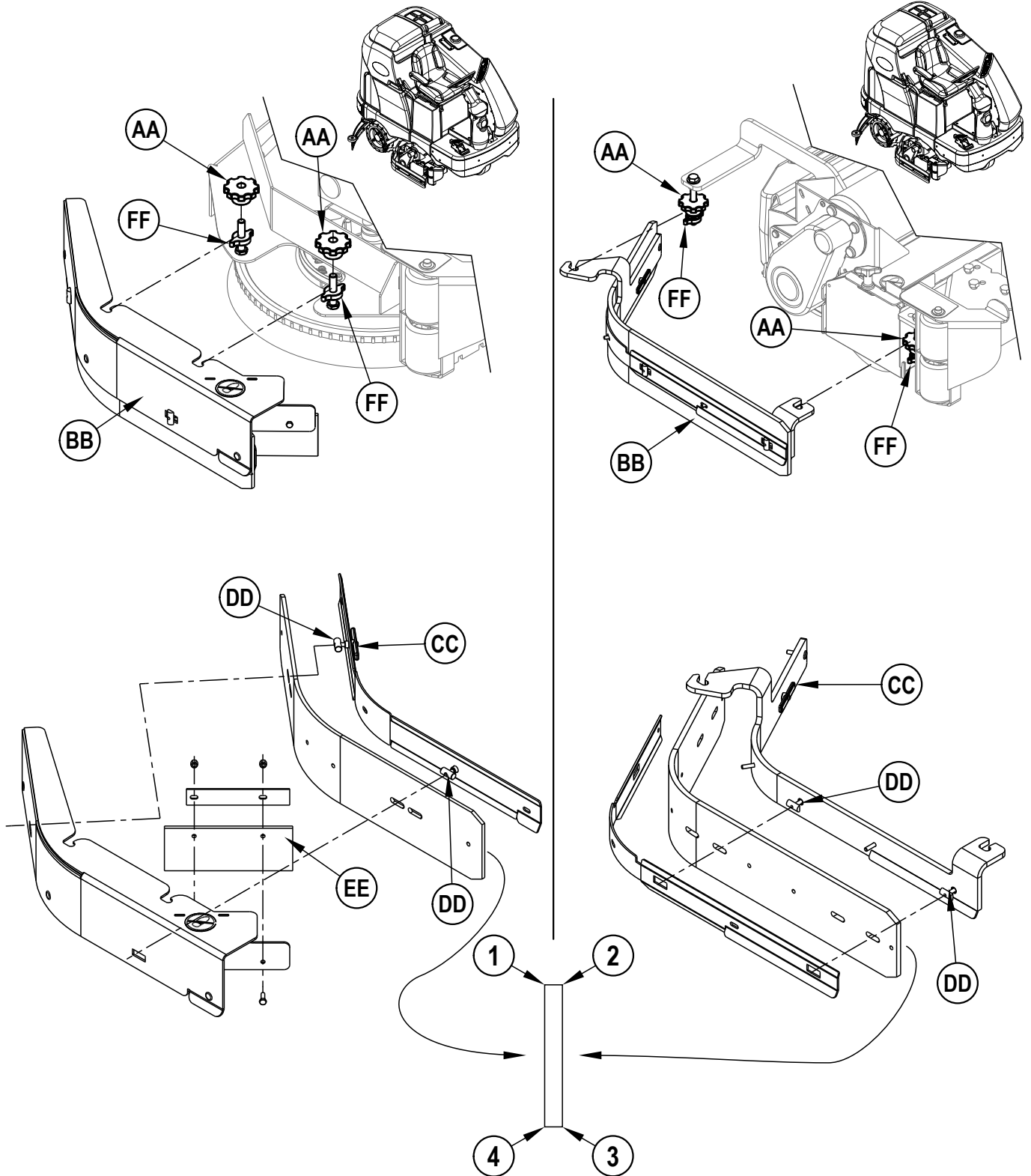
- 1 The side skirt housing knob retainer screw studs have leveling Adjuster Collars **(FF)** that can be raised or lowered to compensate for blade wear.
- 2 To adjust, remove the Skirt Assemblies **(BB)** from the scrub deck to access the Adjuster Collars **(FF)**. Adjustment Tip: The skirts Retainer Knobs **(AA)** can be loosened with skirts left on and the Adjuster Collars **(FF)** rotated by reaching under the skirt housing.
- 3 Turn the Adjuster Collars **(FF)** (Up or Down) to where the blades just fold over enough when scrubbing that all the waste water is contained inside the skirting. **NOTE:** Make small adjustments to obtain good blade wiping. Do not lower the blades too much to where they fold over excessively and cause unneeded blade wear.

SIDE SKIRT MAINTENANCE

FIGURE 12

DISK

CYLINDRICAL



SIDE BROOM MAINTENANCE

The side broom(s) move dirt and debris away from walls or curbs and into the path of the main broom. Adjust the side broom so that the bristles are contacting the floor from the 10 O'clock (**AA**) to the 3 O'clock (**BB**) area shown in **Figure 13** when the broom is down and running.

The side brooms are adjusted through the adjust mode. To enter the "Adjust Mode" perform the following steps...

- 1 Turn the Key Switch (**A**) to the OFF position (O).
- 2 Press and hold the Side Broom Switch (**C**) and the Scrub Off Switch (**E**).
- 3 While holding the switches (**C & E**), turn the key switch to the ON position (I).
- 4 Continue to hold the switches for 2 seconds until side broom, scrub off and scrub on LED's turn on.
- 5 Release the switches. The Display (**K**) will now show "SIDE BROOM ADJUSTMENT".

Once inside of the "Adjust Mode" perform the following steps to adjust the side broom...

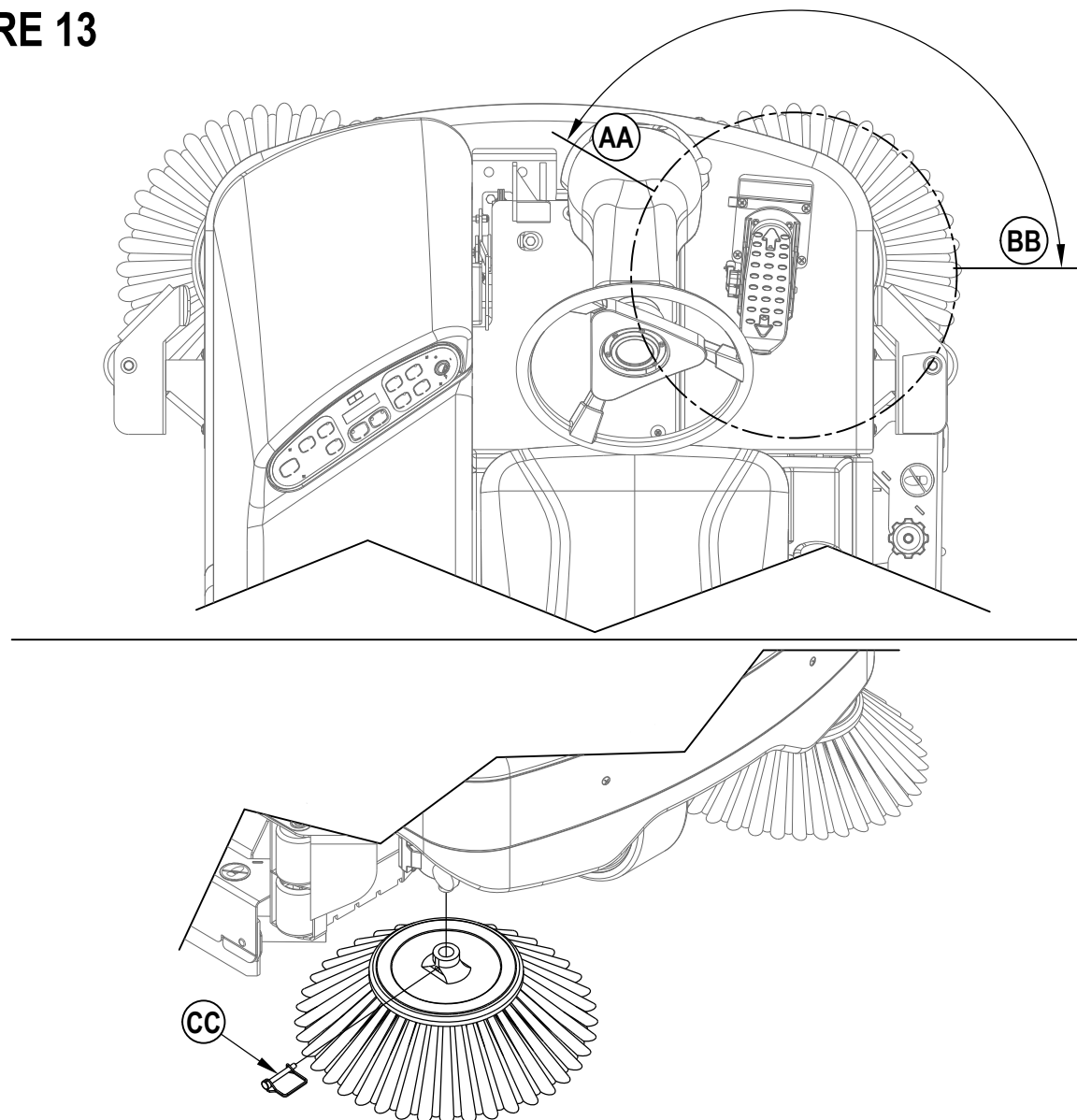
- 1 Press Scrub On Switch (**D**) to lower the side brooms and press the Side Broom Switch (**C**) to raise the side brooms until the desired height is reached.
- 2 To save the side broom height position, press the Scrub Off Switch (**E**). The side brooms will raise to the up position and the display will show a key icon (indicating that the key switch should be cycled off and on).
- 3 The machine has now been reprogrammed to use the new side broom height position.

NOTE: The machine should be stored with the Side Brooms in the raised position. The Side Brooms should be replaced when the bristles are worn to a length of 3 inches (7.62 cm) or they become ineffective.

To replace the Side Broom...

- 1 Raise the Side Broom(s).
- 2 Remove the large Pin (**CC**) holding the side broom on and remove the broom.
- 3 Install the new broom by sliding it UP onto the shaft and re-installing the Pin (**CC**).

FIGURE 13

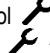


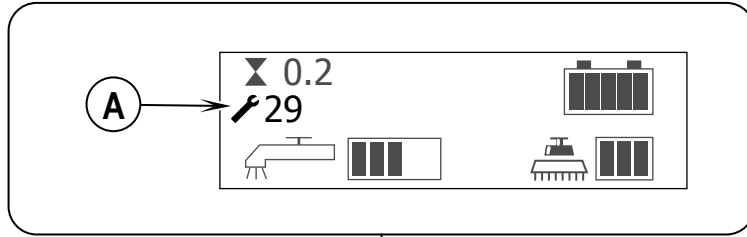
GENERAL MACHINE TROUBLESHOOTING

Problem	Possible Cause	Remedy
Poor water pick-up	Worn or torn squeegee blades	Reverse or replace
	Squeegee out of adjustment	Adjust so blades touch floor evenly across entire width
	Recovery tank full	Empty recovery tank
	Recovery tank drain hose leak	Secure drain hose cap or replace
	Recovery tank cover gasket leak	Replace gasket / Seat cover properly
	Debris caught in squeegee	Clean squeegee tool
	Vacuum hose clogged	Remove debris
	Using too much solution	Reduce flow via control panel solution button
	Foam filter cover not seated	Seat cover properly
Poor scrubbing performance	Worn brush or pad	Rotate or replace brushes
	Wrong brush or pad type	Consult Advance
	Wrong cleaning chemical	Consult Advance
	Moving machine too fast	Slow down
	Not using enough solution	Increase flow via control panel solution button
Scrub Motors Do Not Run	Tripped 20 Amp (F3) circuit breaker	Check for electrical short circuit & reset
Inadequate solution flow or no solution	Solution tank empty	Fill solution tank
	Solution lines, valves, filter or trough clogged	Flush lines, trough and clean solution filter
	Solution turned OFF	Activate flow via control panel solution button
	Solution solenoid valve plugged or defective	Clean or replace valve (see service manual)
Machine does not run	Emergency stop switch tripped	Reconnect battery connectors
	Operator seat safety switch	Check for open circuit and replace
	Main system controller	Check error fault codes (see service manual)
	Tripped 3 Amp (F1) circuit breaker	Check for electrical short circuit & reset
No FWD/REV wheel drive	Drive system speed controller	Check error fault codes (see service manual)
	Emergency stop switch tripped	Reconnect battery connectors
Vacuum shuts off and display shows "FULL" when recovery tank is not full	Plugged squeegee hose	Clear debris
	Vacuuming large amounts of water at a high travel speed	Slow down or disable auto shut-off feature (see service manual)
Poor Sweeping Performance (Cylindrical System)	Hopper Full	Empty and clean hopper
	Brushes worn	Replace brushes
	Bristles have taken a set	Rotate brushes
No Detergent Flow (EcoFlex models only)	Empty detergent cartridge	Fill detergent cartridge
	Plugged or kinked detergent flow line	Purge system, straighten lines to remove any kinks
	Dry seal cap on detergent cartridge not sealed	Reseat dry seal cap
	Detergent pump wiring disconnected or backwards	Connect or reconnect wiring

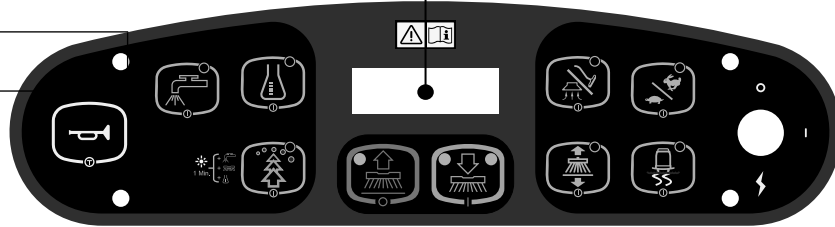
GENERAL MACHINE TROUBLESHOOTING











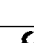
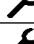
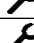
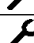
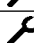
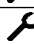

ERROR CODE DISPLAY





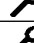
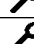
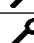
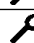






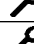
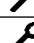
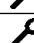
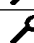




Any error codes detected by A2 Control Board Assembly will be displayed on the control panel display as they occur. If more than one error exists, the display will sequence through the error codes at one-second intervals. The error (A) will display as a mechanical wrench symbol followed by a two-digit code. For example,  29 as shown in the adjacent drawing would be an open vacuum motor error.



Display Code	Error/Fault Description
--------------	-------------------------



 01	Scrub deck sense R2 resistor fault
 03	Speed control fault
 04	Scrub motor overload Note that some models use one, two or three scrub motors.
 05	Left brush motor contactor coil overload Contactor K4 is for the left motor on the three-motor decks.
 06	Center brush motor contactor coil overload Contactor K3 is for the center motor on three-motor decks. K3 is for the left motor on two-motor decks.
 07	Right brush motor contactor coil overload Contactor K2 is for the right motor on two- or three-motor decks. K2 is the only contactor on single-motor decks.
 08	Scrub deck actuator overload
 09	Vacuum motor overload
 10	K1 Vacuum motor contactor coil overload.
 11	Squeegee actuator overload
 12	L1 Solution solenoid overload
 13	Solution control pump overload
 16	K6 Side broom motor contactor coil overload
 17	Side broom actuator overload
 18	K5 Auxiliary contactor coil overload
 19	Back-up alarm overload
 20	Horn output fault

Display Code	Error/Fault Description
 21	Scrub motor open
 22	Left brush motor contactor coil open
 23	Left brush motor contactor coil short to ground
 24	Center brush motor contactor coil open
 25	Center brush motor contactor coil short to ground
 26	Right brush motor contactor coil open
 27	Right brush motor contactor coil short to ground
 28	Scrub deck actuator open
 29	Vacuum motor open
 30	Vacuum motor contactor coil open
 31	K1 Vacuum motor contactor coil short to ground
 32	Squeegee actuator open
 33	L1 Solution solenoid open
 34	L1 Solution solenoid short to ground
 35	Solution control pump open
 36	Side broom motor contactor coil open
 37	K6 Side broom motor contactor coil short to ground
 38	Side broom actuator motor open
 39	Auxiliary motor contactor coil open
 40	K5 Auxiliary motor contactor coil short to ground
 41	Back-up alarm open
 42	Back-up alarm short to ground

ACCESSORIES / OPTIONS

In addition to the standard components, the machine can be equipped with the following accessories/options, according to the machine specific use:

- Brushes with harder or softer bristles
- Solution Auto-Fill Kit
- Vacuum Motor Kit
- Warning Beacon Kit
- Deluxe Seat Kit
- Overhead Guard Kit
- Seat Belt Kit
- Battery Roll Out Kit
- Operator Foot Guard Kit
- Back-Up Alarm Kit
- Spray Wand Kit
- Headlight Kit
- Heavy Front Bumper Kit
- Floor Mat Kit
- Detergent Metering Kit
- Tube Front Bumper Kit

For further information about the above-mentioned accessories, contact an authorized Retailer.

Material Composition and Recyclability		
Type	% of machine weight	% recyclable
Aluminum	2%	100%
Electrical / motors / engines - misc.	19%	33%
Ferrous metals	51%	100%
Harnesses / cables	2%	81%
Liquids	0%	0%
Plastic - non-recyclable	3%	0%
Plastic - recyclable	3%	100%
Polyethylene	21%	92%
Rubber	1%	33%

SOLUTION FLOW RATES

	Standard Flow Rates			Override Flow Rates	
	1 bar	2 bars	3 bars	4 bars	5 bars
40" Disc	.84 GPM	1.00 GPM	1.50 GPM	2.00 GPM	2.50 GPM
40" Cylindrical	.70 GPM	.84 GPM	1.00 GPM	1.50 GPM	2.50 GPM
45"/48" Disc	1.00 GPM	1.50 GPM	2.00 GPM	2.25 GPM	2.50 GPM
45"/48" Cylindrical	.84 GPM	1.00 GPM	1.50 GPM	2.00 GPM	2.50 GPM

TECHNICAL SPECIFICATIONS (AS INSTALLED AND TESTED ON THE UNIT)

Model		SC6500 40C	SC6500 45C	SC6500 48C
		SC6500 40D	SC6500 45D	SC6500 48D
Model No.		56414010	56414014	56414018
		56414012	56414016	56414020
Voltage, Batteries	V	36V	36V	36V
Battery Capacity (max)	Ah	450	450	450
Protection Grade		IPX3	IPX3	IPX3
Sound Pressure Level - Cylindrical IEC 60335-2-72: 2002 Amend. 1:2005, ISO 11201	dB(A)/20µPa	70	70	70
Sound Pressure level - KpA (IEC 60335-2-72, ISO 11201) Uncertainty	dB(A)	3.0	3.0	3.0
Sound Pressure Level - Disc IEC 60335-2-72: 2002 Amend. 1:2005, ISO 11201	dB(A)/20µPa	70	70	70
Sound Pressure level - KpA (IEC 60335-2-72, ISO 11201) Uncertainty	dB(A)	3.0	3.0	3.0
Gross Weight* - Cylindrical	lbs / kg	3325 / 1508	3365 / 1526	3410 / 1547
Transportation Weight** - Cylindrical	lbs / kg	2897 / 1314	2937 / 1332	2982 / 1353
Gross Weight* - Disc	lbs / kg	3220 / 1460	3270 / 1483	3320 / 1506
Transportation Weight** - Disc	lbs / kg	2792 / 1266	2842 / 1289	2892 / 1312
Maximum Wheel Floor Loading (center front)	psi / kg/cm ²	116 / 8.15	116 / 8.15	116 / 8.15
Maximum Wheel Floor Loading (right rear)	psi / kg/cm ²	81 / 5.69	81 / 5.69	81 / 5.69
Maximum Wheel Floor Loading (left rear)	psi / kg/cm ²	86 / 6.04	86 / 6.04	86 / 6.04
Vibrations at the Hand Controls (ISO 5349-1)	m/s ²	<1.12m/s ²	<1.12m/s ²	<1.12m/s ²
Vibrations at the Hand Controls (ISO 5349-1) Uncertainty	m/s ²	.11 m/s ²	.11 m/s ²	.11 m/s ²
Vibrations at the Seat (EN 1032)	m/s ²	<0.35m/s ²	<0.35m/s ²	<0.35m/s ²
Vibrations at the Seat (EN 1032) Uncertainty	m/s ²	0.035m/s ²	0.035m/s ²	0.035m/s ²
Gradeability Transport		16% (9°)	16% (9°)	16% (9°)
Gradeability Cleaning		10.5% (6°)	10.5% (6°)	10.5% (6°)
Machine Length	inch / cm		73.5 / 187	
Machine Height	inch / cm		58.5 / 148.6	
Machine Height (w/overhead guard)	inch / cm		84 / 213	
Machine Width at Rollers - Cylindrical	inch / cm	47.5 / 121	53.5 / 136	55.5 / 141
Machine Width at Rollers - Disc	inch / cm	42.5 / 108	51.5 / 131	52.5 / 133
Machine Width with Squeegee	inch / cm	49 / 125 "F"	54 / 137 "G"	57 / 145 "H"
Minimum Aisle Turn Width	inch / cm		84 / 214	
Solution Tank Capacity	Gallon / L		70 / 265	
Recovery Tank Capacity	Gallon / L		70 / 265	
Transport Speed (Fwd. Maximum)	mph / kph		6.0 / 9.5	
Transport Speed (Rev. Maximum)	mph / kph		3.0 / 5.0	
Battery Compartment Size (approximate)				
Height (maximum)	inch / cm		19 / 48.2	
Width (maximum)	inch / cm		20 / 50.8	
Length (maximum)	inch / cm		31.75 / 80.6	
Scrub brush size				
Outside Scrub Brush Diameter - Cylindrical (inside core is 5 in / 12.7 cm)	inch / cm		8.5 / 21.6	
Scrub Brush Length - Cylindrical (two brushes per machine)	inch / cm	38.37 / 97.4	43.6 / 110.8	46.6 / 118.4
Brush Diameter - Disc	inch / cm	(Quantity of 2) 20 / 50.8	(Quantity of 3) at 16 / 40.6	(Quantity of 3) at 17 / 43
Scrub Brush	Cylindrical	RPM	630	630
Speed	Disc	RPM	240	225
Hopper Capacity - Cylindrical	ft ³ / L	0.40 / 11	0.44 / 12.5	0.50 / 14
Cleaning Path Width (scrubbing path)	inch / cm	40 / 101	45 / 114	48 / 122
Sweeping Path with side brooms - Cylindrical	inch / cm		57 / 145	

*Gross Weight: Standard machine without options, full solution tank and empty recovery tank, with removable scrub brushes and batteries installed.

**Transportation Weight: Standard machine without options, empty solution and recovery tanks, with batteries installed and no operator.

TECHNICAL SPECIFICATIONS (AS INSTALLED AND TESTED ON THE UNIT)

Model		SC6500 40C (EcoFlex)	SC6500 45C (EcoFlex)	SC6500 48C (EcoFlex)
		SC6500 40D (EcoFlex)	SC6500 45D (EcoFlex)	SC6500 48D (EcoFlex)
Model No.		56414011	56414015	56414019
		56414013	56414017	56414021
Voltage, Batteries	V	36V	36V	36V
Battery Capacity	Ah	450	450	450
Protection Grade		IPX3	IPX3	IPX3
Sound Pressure Level - Cylindrical IEC 60335-2-72: 2002 Amend. 1:2005, ISO 11201	dB(A)/20µPa	70	70	70
Sound Pressure level - KpA (IEC 60335-2-72, ISO 11201) Uncertainty	dB(A)	3.0	3.0	3.0
Sound Pressure Level - Disc IEC 60335-2-72: 2002 Amend. 1:2005, ISO 11201	dB(A)/20µPa	70	70	70
Sound Pressure level - KpA (IEC 60335-2-72, ISO 11201) Uncertainty	dB(A)	3.0	3.0	3.0
Gross Weight* - Cylindrical	lbs / kg	3325 / 1508	3365 / 1526	3410 / 1547
Transportation Weight** - Cylindrical	lbs / kg	2897 / 1314	2937 / 1332	2982 / 1353
Gross Weight* - Disc	lbs / kg	3220 / 1460	3270 / 1483	3320 / 1506
Transportation Weight** - Disc	lbs / kg	2792 / 1266	2842 / 1289	2892 / 1312
Maximum Wheel Floor Loading (center front)	psi / kg/cm ²	116 / 8.15	116 / 8.15	116 / 8.15
Maximum Wheel Floor Loading (right rear)	psi / kg/cm ²	81 / 5.69	81 / 5.69	81 / 5.69
Maximum Wheel Floor Loading (left rear)	psi / kg/cm ²	86 / 6.04	86 / 6.04	86 / 6.04
Vibrations at the Hand Controls (ISO 5349-1)	m/s ²	<1.12m/s ²	<1.12m/s ²	<1.12m/s ²
Vibrations at the Hand Controls (ISO 5349-1) Uncertainty	m/s ²	.11 m/s ²	.11 m/s ²	.11 m/s ²
Vibrations at the Seat (EN 1032)	m/s ²	<0.35m/s ²	<0.35m/s ²	<0.35m/s ²
Vibrations at the Seat (EN 1032) Uncertainty	m/s ²	0.035m/s ²	0.035m/s ²	0.035m/s ²
Gradeability Transport		16% (9°)	16% (9°)	16% (9°)
Gradeability Cleaning		10.5% (6°)	10.5% (6°)	10.5% (6°)
Machine Length	inch / cm	73.5 / 187		
Machine Height	inch / cm	58.5 / 148.6		
Machine Height (w/overhead guard)	inch / cm	84 / 213		
Machine Width at Rollers - Cylindrical	inch / cm	47.5 / 121	53.5 / 136	55.5 / 141
Machine Width at Rollers - Disc	inch / cm	42.5 / 108	51.5 / 131	52.5 / 133
Machine Width with Squeegee	inch / cm	49 / 125 "F"	54 / 137 "G"	57 / 145 "H"
Minimum Aisle Turn Width	inch / cm	84 / 214		
Solution Tank Capacity	Gallon / L	70 / 265		
Recovery Tank Capacity	Gallon / L	70 / 265		
Transport Speed (Fwd. Maximum)	mph / kph	6.0 / 9.5		
Transport Speed (Rev. Maximum)	mph / kph	3.0 / 5.0		
Battery Compartment Size (approximate)				
Height (maximum)	inch / cm	19 / 48.2		
Width (maximum)	inch / cm	20 / 50.8		
Length (maximum)	inch / cm	31.75 / 80.6		
Scrub brush size				
Outside Scrub Brush Diameter - Cylindrical (inside core is 5 in / 12.7 cm)	inch / cm	8.5 / 21.6		
Scrub Brush Length - Cylindrical (two brushes per machine)	inch / cm	38.37 / 97.4	43.6 / 110.8	46.6 / 118.4
Brush Diameter - Disc	inch / cm	(Quantity of 2) 20 / 50.8	(Quantity of 3) at 16 / 40.6	(Quantity of 3) at 17 / 43
Scrub Brush	Cylindrical	RPM	630	630
Speed	Disc	RPM	240	225
Hopper Capacity - Cylindrical	ft ³ / L	0.40 / 11	0.44 / 12.5	0.50 / 14
Cleaning Path Width (scrubbing path)	inch / cm	40 / 101	45 / 114	48 / 122
Sweeping Path with side brooms - Cylindrical	inch / cm	57 / 145		

*Gross Weight: Standard machine without options, full solution tank and empty recovery tank, with removable scrub brushes and batteries installed.

**Transportation Weight: Standard machine without options, empty solution and recovery tanks, with batteries installed and no operator.

ÍNDICE

	página
Introducción	B-3
Precauciones y advertencias.....	B-4 – B-5
Conozca su máquina.....	B-6 – B-7
Panel de control.....	B-8
Preparación de la máquina para el uso	
Instalación de las baterías.....	B-9
Instalación de los cepillos.....	B-10 – B-11
Llenado del depósito de solución	B-12
Instalación de la boquilla	B-13
Sistema de detergente	B-14 – B-15
Manejo de la máquina	B-16 – B-17
Fregado	B-16 – B-17
Aspiración en húmedo.....	B-17
Después de la utilización.....	B-18
Programa de mantenimiento	B-18
Lubricación de la máquina.....	B-19
Recarga de las baterías	B-20
Comprobación del nivel de agua de las baterías	B-20
Mantenimiento de la boquilla.....	B-21
Ajuste de la boquilla	B-21
Mantenimiento de la faldilla lateral	B-22 – B-23
Mantenimiento del cepillo lateral	B-24
Localización de averías.....	B-25 – B-26
Especificaciones técnicas.....	B-28 – B-29

⚠ ¡PRECAUCIÓN!

Extreme las PRECAUCIONES al utilizar esta máquina. Asegúrese de conocer bien todas las instrucciones de funcionamiento antes de utilizarla. Si tiene alguna duda, consulte con su supervisor o con el distribuidor industrial de Advance de su zona.

En caso de mal funcionamiento de la máquina, no intente solucionar el problema a menos que se lo ordene su supervisor. Haga que un mecánico cualificado de su empresa o de una persona autorizada del servicio técnico del Distribuidor de Advance para que efectúe las correcciones necesarias en el equipo.

Extreme las precauciones al trabajar en esta máquina. Las prendas amplias, el pelo largo y joyas pueden quedar atrapados entre los elementos en movimiento. Apague el interruptor de contacto y quite la llave antes de someter la máquina a reparaciones o mantenimiento. Aplique el freno de estacionamiento antes de bajar de la máquina. Utilice el sentido común, respete las normas de seguridad y preste atención a las pegatinas amarillas colocadas en la máquina. Conduzca la máquina lentamente en pendientes. Use el pedal de freno **(6)** para controlar la velocidad de la máquina al descender las pendientes. NO gire la máquina en una pendiente; conduzca en línea recta hacia arriba o hacia abajo. La pendiente nominal máxima durante el lavado es de 10%. La pendiente nominal máxima durante el transporte es de 16%.

INTRODUCCIÓN

Este manual le ayudará a obtener el máximo rendimiento de su Limpiadora sobre ruedas Advance. Léalo con atención antes de utilizar la máquina.

Nota: Los números que aparecen en negrita entre paréntesis indican elementos ilustrados en las páginas B-6 – B-8.

Este producto está destinado exclusivamente a uso comercial.

COMPONENTES Y SERVICIO

Las reparaciones, cuando sean necesarias, deben ser realizadas por su Centro Autorizado de Servicio Advance que utiliza personal de servicio formado en fábrica y lleva un inventario de piezas de repuesto y accesorios Advance originales.

Llame al DISTRIBUIDOR ADVANCE que se indica a continuación para lo referente a piezas de repuesto y servicio. Por favor, especifique el Modelo y Número de Serie cuando hable de su máquina.

MODIFICACIONES

Las modificaciones y los agregados a la máquina de limpieza que afecten su capacidad y su funcionamiento seguro no serán realizados por el cliente o el usuario sin la autorización previa y por escrito de Nilfisk Inc. Las modificaciones que no cuenten con la aprobación correspondiente anularán la garantía de la máquina y harán que el cliente sea responsable de cualquier accidente resultante.

PLACA DE IDENTIFICACIÓN

El Número de Modelo y Número de Serie de la máquina se indican en la placa de identificación instalada en ella. Esta información es necesaria a la hora de solicitar repuestos para la máquina. Utilice el espacio situado más abajo para anotar el Modelo y Número de Serie de la máquina para futuras consultas.

NÚMERO DE MODELO _____

NÚMERO DE SERIE _____

DESEMBALAJE DE LA MÁQUINA

Cuando reciba la máquina, examine con atención el embalaje y la máquina, con el fin de comprobar si existe algún daño. Si observa algún daño, guarde la caja de embalaje (si procede) para que se pueda inspeccionar. Póngase en contacto inmediatamente con el Departamento de Servicio al Cliente de Advance para presentar una reclamación por daños en transporte. Consulte la hoja de instrucciones de desembalaje incluida con la máquina para sacar la máquina del palet.

ADVERTENCIA:

Los Productos a la venta en este Manual contienen, o pueden contener, productos químicos reconocidos por algunos gobiernos (como el Estado de California, según lo indica en su Proposición 65, Ley de Advertencia Regulatoria) como causantes de cáncer, defectos de nacimiento u otros daños reproductivos. En algunas jurisdicciones (incluido el Estado de California), los compradores de estos Productos que los coloquen en servicio en un emplazamiento laboral o en un espacio de acceso público tienen la obligación regulatoria de realizar determinados avisos, advertencias o divulgaciones respecto de los productos químicos contenidos o posiblemente contenidos en los Productos utilizados en tal lugar. Es la responsabilidad del comprador conocer y cumplir con todas las leyes y reglamentaciones relacionadas con el uso de estos Productos en tales entornos. El Fabricante niega toda responsabilidad de informar a los compradores sobre requisitos específicos que pueden regir el uso de los Productos en tales entornos.

TRANSPORTE DE LA MÁQUINA

¡PRECAUCIÓN!

Antes de transportar la máquina sobre un camión o remolque abierto, asegúrese de. . .

- Cerrar bien todas las puertas de acceso.
- Que la máquina esté segura – ver puntos de sujeción **(30)**.
- Que el freno de estacionamiento de la máquina **(6)** esté configurado.

PRECAUCIONES Y ADVERTENCIAS

SÍMBOLOS

Avance utiliza los símbolos que aparecen a continuación para indicar situaciones potencialmente peligrosas. Lea siempre con atención esta información y tome las medidas necesarias para la protección del personal y los objetos.

Esta máquina es para uso comercial, por ejemplo en hoteles, colegios, hospitales, fábricas, tiendas y oficinas, y no para usos relacionados con el mantenimiento doméstico.

¡PELIGRO!

Se utiliza para advertir de peligros inmediatos que pueden producir graves daños personales o la muerte.

¡ADVERTENCIA!

Se utiliza para llamar la atención sobre una situación que puede causar graves daños personales.

¡PRECAUCIÓN!

Se utiliza para llamar la atención sobre una situación que puede causar daños personales leves o daños a la máquina u otros objetos.



Lea todas y cada una de las instrucciones antes de utilizar el aparato.

INSTRUCCIONES GENERALES DE SEGURIDAD

Se incluyen Precauciones y Advertencias específicas que le advierten de los posibles riesgos de daño a la máquina o daño corporal.

¡ADVERTENCIA!

- Sólo deben utilizar esta máquina las personas autorizadas y con la formación adecuada.
- Esta máquina no debe ser utilizada por personas (incluidos niños) con capacidades físicas, sensoriales o mentales reducidas, o con falta de experiencia y conocimientos.
- Al circular sobre rampas o pendientes, evite las paradas bruscas. Evite las curvas muy cerradas. Circule lentamente al bajar rampas.
- Mantenga las chispas, llamas y materiales de fumadores alejados de las baterías. Durante el funcionamiento normal se desprenden gases explosivos.
- Al recargar las baterías se produce gas de hidrógeno altamente explosivo. Recargue las baterías exclusivamente en zonas bien ventiladas, lejos de llamas sin proteger. No fume mientras recarga las baterías.
- Qítense todas las joyas cuando trabaje cerca de componentes eléctricos.
- Ponga el conmutador en posición de apagado (O) y desconecte las baterías antes de revisar los componentes eléctricos.
- No trabaje nunca debajo de la máquina sin colocar antes bloques o soportes de seguridad en los que apoyar la máquina.
- No aplique sustancias limpiadoras inflamables ni utilice la máquina sobre estas sustancias, cerca de ellas, ni en zonas en las que haya líquidos inflamables.
- No presione el panel de control del operador de lavado, panel de interruptores o baterías.
- Use solamente los cepillos suministrados junto con el aparato o aquellos especificados en el manual de instrucciones. El uso de otros cepillos puede afectar a la seguridad.
- Observe el peso bruto del vehículo (GVW) de la máquina cuando cargue, maneje, eleve o sostenga la máquina.



¡PRECAUCIÓN!

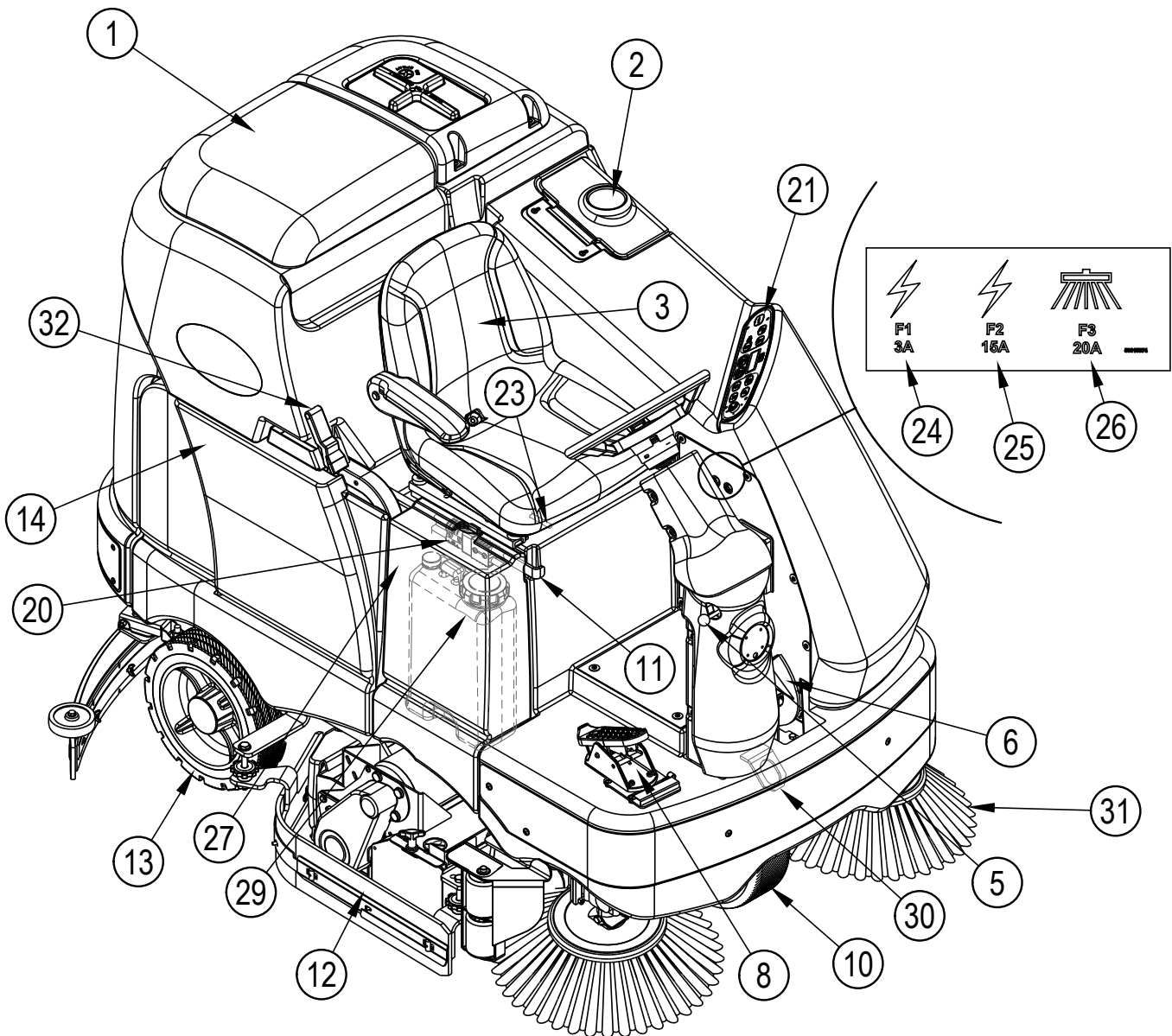
- Esta máquina no ha sido aprobada para su uso en vías públicas.
- Esta máquina no es apta para la recogida de polvo peligroso.
- No utilizar discos de escarificación ni piedras abrasivas. No se podrá responsabilizar a Advance de daño alguno a las superficies de los suelos causado por escarificadores o piedras abrasivas (también puede causar daños al sistema de tracción del cepillo).
- Cuando utilice la máquina, asegúrese de que no existe peligro para terceras personas, especialmente niños.
- Antes de proceder a cualquier función de servicio, lea con atención todas las instrucciones relativas a dicha función.
- No abandone la máquina sin antes apagar el interruptor de llave (O), retirar la llave y echar el freno de estacionamiento.
- Apague el conmutador de llave (O) y quite la llave antes de cambiar los cepillos y antes de abrir cualquiera de los paneles de acceso.
- Tome las debidas precauciones para evitar que el pelo, las joyas o las prendas sueltas queden atrapados entre los componentes móviles.
- Tome las precauciones adecuadas cuando esté moviendo esta máquina mientras hiela. El agua de la solución, los depósitos de recuperación o detergente y de las tuberías puede congelarse, causando daños a las válvulas y accesorios. Limpie con limpiaparabrisas.
- Retire las baterías de la máquina antes de su desguace. Las baterías deben desecharse de forma segura, de acuerdo con la reglamentación medioambiental local.
- No utilice la máquina en superficies con pendientes superiores a las indicadas en la máquina.
- Antes de utilizar la máquina, todas las puertas y cubiertas deberían estar colocadas como se indica en el manual de instrucciones.

GUARDE ESTAS INSTRUCCIONES

CONOZCA SU MÁQUINA

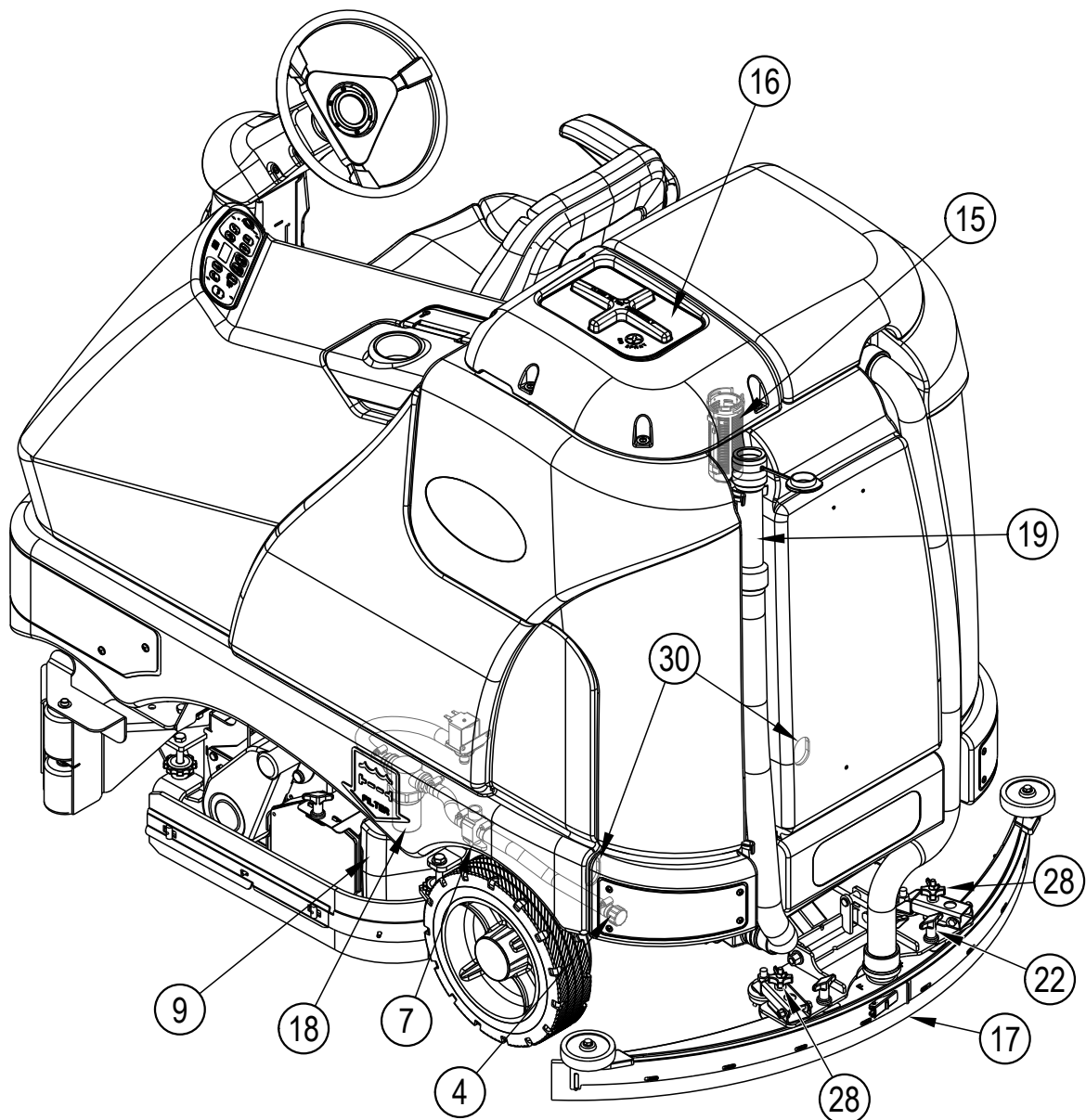
A lo largo de este manual encontrará números o letras en negrita entre paréntesis – por ejemplo: **(2)**. Estos números se refieren a un objeto que se muestra en dicha página, a menos que se indique lo contrario. Consulte estas páginas siempre que lo necesite para localizar los elementos citados en el texto. **NOTA:** Consulte el manual de servicio para obtener explicaciones más detalladas de cada objeto ilustrado en las siguientes 3 páginas.

- | | | | |
|----|--|----|---|
| 1 | Tapa del depósito de recuperación | 21 | Panel de control |
| 2 | Tapa de llenado del depósito de solución | 23 | Palanca de ajuste del asiento del operador |
| 3 | Asiento del operador | 24 | Disyuntor del circuito de control |
| 5 | Botón de ajuste de inclinación del volante | 25 | Disyuntor auxiliar |
| 6 | Freno de Estacionamiento | 26 | Disyuntor del motor del cepillo lateral |
| 8 | Pedal de tracción, dirección / velocidad | 27 | Panel de acceso lateral |
| 10 | Volante de tracción y de dirección | 29 | Cartucho de detergente (solo modelos EcoFlex) |
| 11 | Conmutador de parada de emergencia / desconexión de la batería | 30 | Puntos de sujeción |
| 12 | Plataforma de limpieza | 31 | Cepillos Laterales (no todos los modelos) |
| 13 | Rueda posterior | 32 | Pestillo del depósito de recuperación |
| 14 | Compartimento de la batería (bajo depósito de recuperación) | | |
| 20 | Conector de las baterías de la máquina | | |



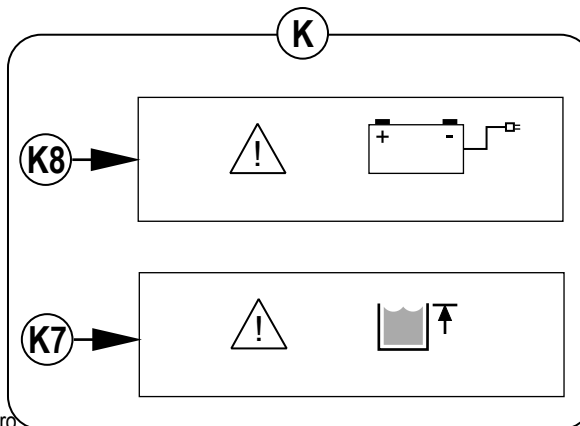
CONOZCA SU MÁQUINA

- 4 Tubería de drenaje del depósito de solución
- 7 Válvula de cierre de la solución
- 9 Tolva (sólo modelos cilíndricos)
- 15 Flotador del cierre automático del depósito de recuperación
- 16 Contenedor del filtro del motor de aspiración
- 17 Conjunto de boquilla
- 18 Filtro de la solución
- 19 Tubería de drenaje del depósito de recuperación
- 22 Botón de ajuste de inclinación de la boquilla
- 28 Botón de ajuste de altura de la boquilla
- 30 Puntos de sujeción

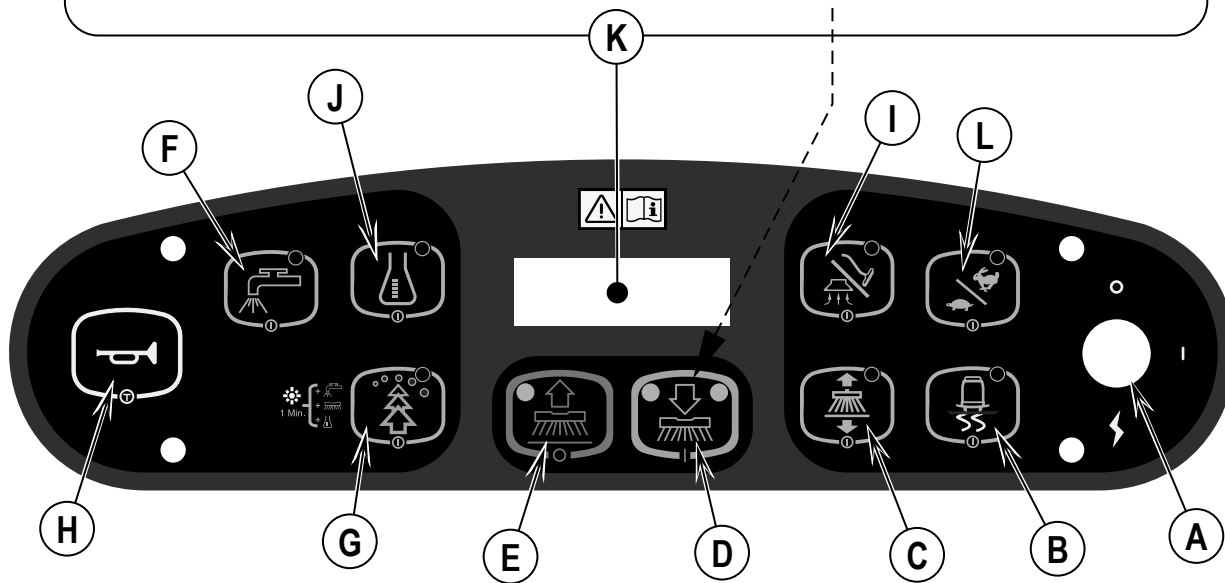
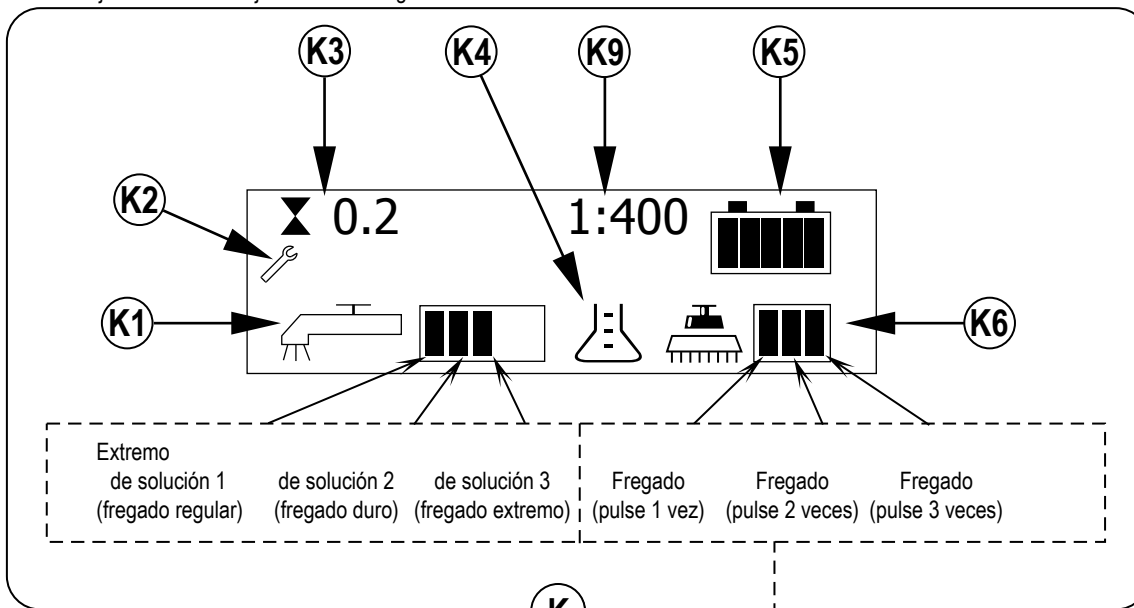


PANEL DE CONTROL

- A Conmutador principal
- B Interruptor de control de tracción
- C Interruptor del cepillo lateral (sólo modelos cilíndricos)
- D Fregado encendido / selección del modo de fregado
- E Fregado apagado
- F Conmutador de la solución
- G Interruptor de Aumento de Potencia
- H Claxon
- I Interruptor de aspiración/varilla
- J Sistema de detergente (sólo modelos EcoFlex)
- K Pantalla
- K1 Indicador de flujo de la solución
- K2 Indicador de error
- K3 Cronómetro
- K4 Indicador detergente (si está instalado)
- K5 Indicador de batería
- K6 Indicador de la presión del fregado
- K7 Indicador de llenado del depósito de recuperación
- K8 Indicador de batería baja
- K9 Indicador de mezcla de detergente
- L Interruptor de velocidad de fregado



Flujo Flujo Flujo Regular Duro



INSTALACIÓN DE LAS BATERÍAS

⚠ ¡ADVERTENCIA!

Tome las máximas precauciones cuando trabaje con las baterías. El ácido sulfúrico de las baterías puede causar daños graves si entra en contacto con la piel o con los ojos. Desde el interior de las baterías se libera gas explosivo de hidrógeno a través de unas aperturas en las tapas de las baterías. Este gas puede incendiarse con cualquier arco eléctrico, chispa o llama. No instale baterías de plomo-ácido en un contenedor cerrado. El gas de hidrógeno debido a la sobrecarga debe poder liberarse.

Cuando revise las baterías...

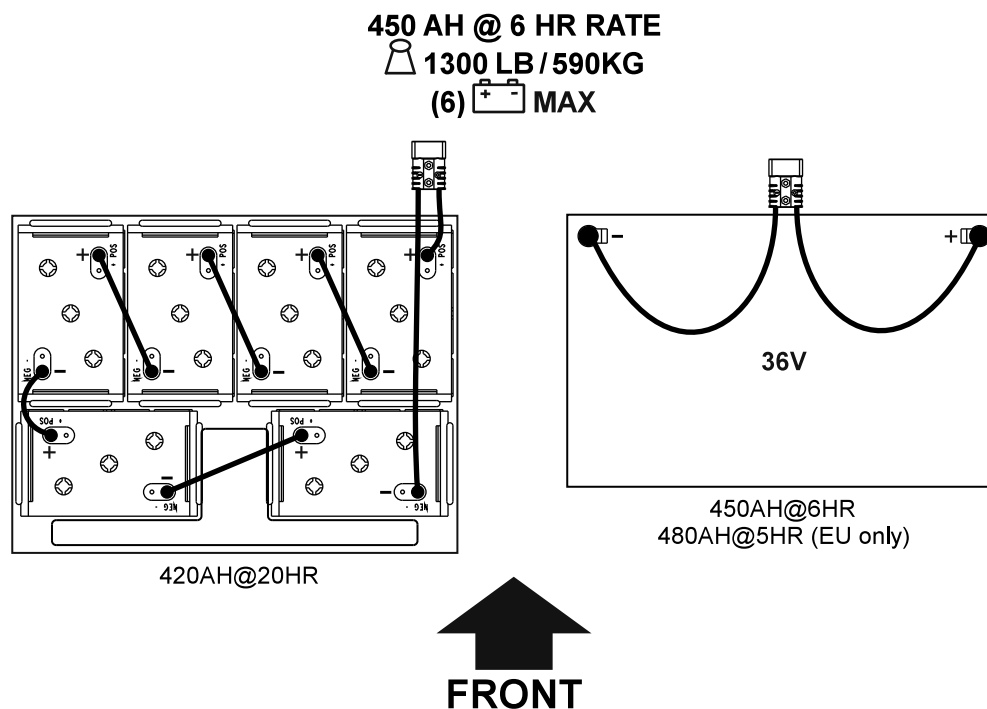
- * Qítense todas las joyas
- * No fume
- * Lleve gafas de seguridad, un delantal de goma y guantes de goma
- * Trabaje en una zona bien ventilada
- * No permita que las herramientas toquen simultáneamente más de un terminal de batería
- * Al sustituir las baterías, desconecte SIEMPRE en primer lugar el cable (de tierra) negativo para evitar chispas.
- * Al instalar las baterías, conecte SIEMPRE el cable negativo al final.

⚠ ¡PRECAUCIÓN!

Los componentes eléctricos de esta máquina pueden dañarse seriamente si las baterías no están instaladas o conectadas correctamente. Las baterías deben ser instaladas por Advance o por un electricista cualificado.

- 1 Retire las baterías de su caja de embalaje e inspecciónelas para ver si existen grietas u otros daños. Si los daños son evidentes, póngase en contacto inmediatamente con el transportista que se las entregó para presentar una reclamación por daños en transporte.
- 2 Apague el conmutador principal de llave (A) y quite la llave.
- 3 Retire el depósito de recuperación del aparato. **NOTA:** Desconecte el cabo y el cableado del motor de aspiración, levante el depósito en línea recta hacia arriba y extráigalo del aparato.
- 4 Su máquina viene de fábrica con suficientes cables para instalar 6 baterías de 6 voltios. Con al menos (2) personas y una correa de levantamiento apropiada, levante las baterías con cuidado para meterlas en el compartimento de las baterías y colóquelas exactamente como se muestra en la **FIGURA 1**. Ponga las baterías tan cerca de la parte delantera de la máquina como pueda. Si instala una batería monobloque, utilice un montacargas.
- 5 Instale los cables de las baterías como se muestra. Ponga los cables de forma que las cubiertas de las baterías puedan retirarse fácilmente para el mantenimiento de las baterías.
- 6 Apriete con cuidado las tuercas de los terminales de las baterías hasta que el terminal no gire. No apriete demasiado los terminales; de lo contrario será muy difícil retirarlos en futuras operaciones de mantenimiento.
- 7 Bañe los terminales con revestimiento para terminales de baterías en pulverizador (disponible en la mayoría de las tiendas de material para coches).
- 8 Ponga un manguito de goma negro encima de cada terminal y conecte el conector del conjunto de las baterías (20).

FIGURA 1



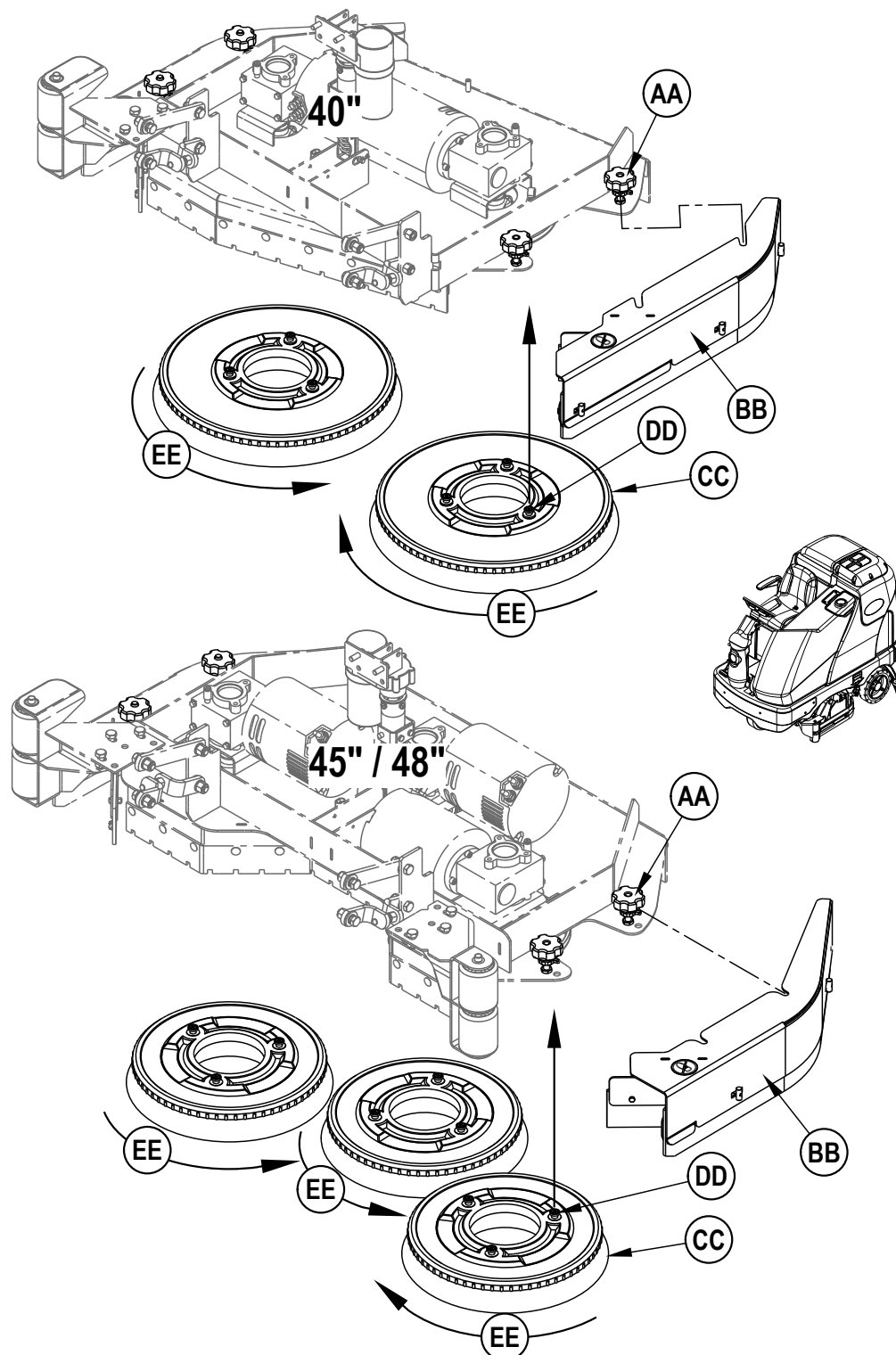
INSTALACIÓN DE LOS CEPILLOS (SISTEMA DE DISCO)

⚠ ¡PRECAUCIÓN!

Apague el conmutador de llave (O) y quite la llave antes de cambiar los cepillos y antes de abrir cualquiera de los paneles de acceso.

- 1 Asegúrese de que la plataforma de limpieza se encuentre en la posición ELEVADA. Asegúrese de que está apagado (O) el conmutador de llave (A).
- 2 Ver la Figura 2. Retire las dos faldillas laterales. **NOTA:** Las faldillas están sujetas a cada lado por dos grandes botones (AA). Afloje ambos botones y deslice las faldillas (BB) hacia fuera de la plataforma de limpieza.
- 3 Para montar los cepillos (CC) (o los portabayetas), alinee las lengüetas (DD) del cepillo con las ranuras de la bandeja de montaje y gire para que se bloquee en su posición (gire el borde exterior del cepillo hacia la parte delantera de la máquina como se muestra (EE)).

FIGURA 2



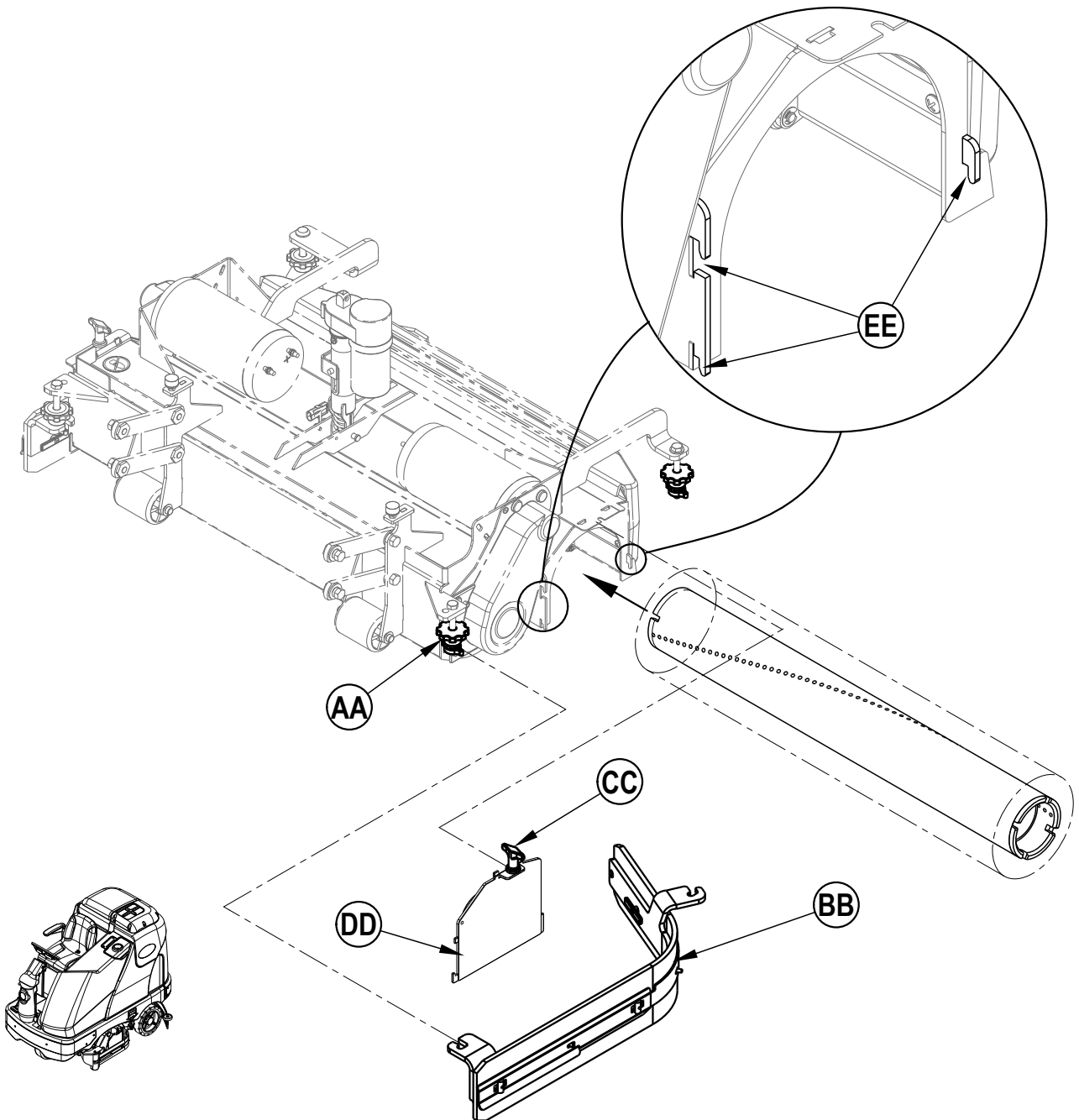
INSTALACIÓN DE LOS CEPILLOS (SISTEMA CILÍNDRICO)

⚠ ¡PRECAUCIÓN!

Apague el conmutador de llave (O) y quite la llave antes de cambiar los cepillos y antes de abrir cualquiera de los paneles de acceso.

- 1 Asegúrese de que la plataforma de limpieza se encuentre en la posición ELEVADA. Asegúrese de que está apagado (O) el conmutador de llave (A).
- 2 **Ver la Figura 3.** Retire las dos faldillas laterales. **NOTA:** Las faldillas están sujetas a cada lado por dos grandes botones (AA). Afloje ambos botones, deslice las faldillas (BB) hacia delante ligeramente y luego hacia fuera de la plataforma de limpieza.
- 3 Afloje los botones negros (CC) que están en la parte superior de los conjuntos en vacío (DD) hasta que caigan lo suficientemente lejos como para desacoplarse de las muescas (EE) y retírelos.
- 4 Deslice el cepillo en el contenedor, levante ligeramente, empuje y gire hasta que se asiente. Vuelva a instalar los conjuntos en vacío (DD) y las faldillas (BB).

FIGURA 3



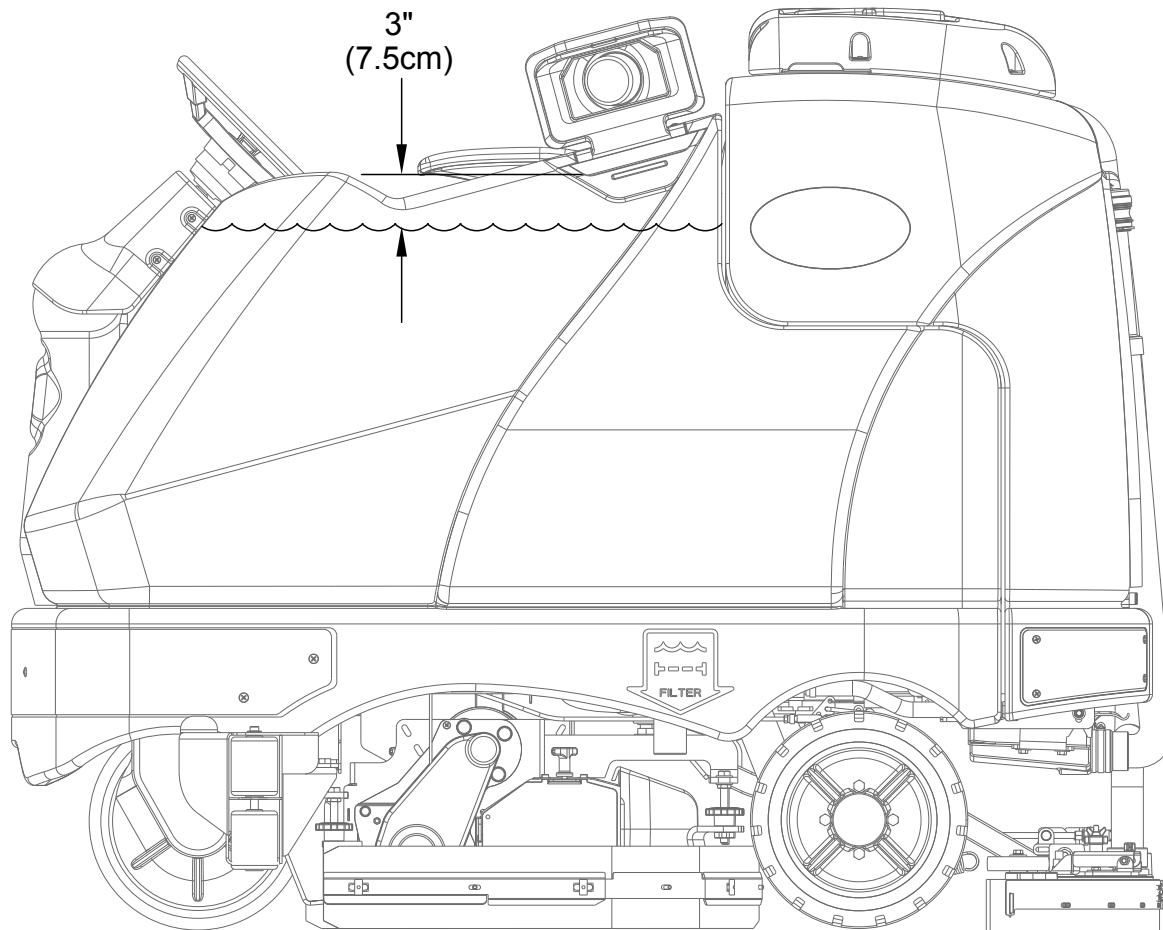
LLENADO DEL DEPÓSITO DE SOLUCIÓN

Ver Figura 4. Llene el depósito de solución con 70 galones (264 Litros) de solución limpiadora como máximo. No llene el depósito de solución por encima de 7,5 cm (3 pulgadas) de la parte inferior del depósito (2). La solución debe ser una mezcla de agua y el limpiador químico apropiado para la aplicación. Siga siempre las instrucciones que aparecen en la etiqueta del envase del producto químico. **NOTA:** Las máquinas EcoFlex™ pueden utilizarse normalmente con detergente mezclado en el depósito o con el sistema de aplicación de detergente. Al utilizar el sistema de aplicación de detergente, no mezcle detergente en el depósito; utilice agua.

⚠ ¡PRECAUCIÓN!

Utilice únicamente detergentes líquidos no inflamables de bajo poder espumante que estén diseñados para aplicaciones de fregado automático. La temperatura del agua no deberá superar los 130 grados Fahrenheit (54,4 grados Celsius)

FIGURA 4

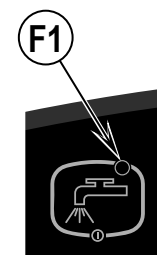


INDICADOR DEL SISTEMA DE SOLUCIÓN (F1):

Ver la Figura 4.1.

- El indicador se ilumina cuando el Sistema de solución está habilitado y/o encendido.
- El indicador se apaga cuando el Sistema de solución está apagado.
- El indicador parpadea cuando el interruptor de flotador del tanque de solución (nivel de líquido) percibe que el nivel de solución es bajo.

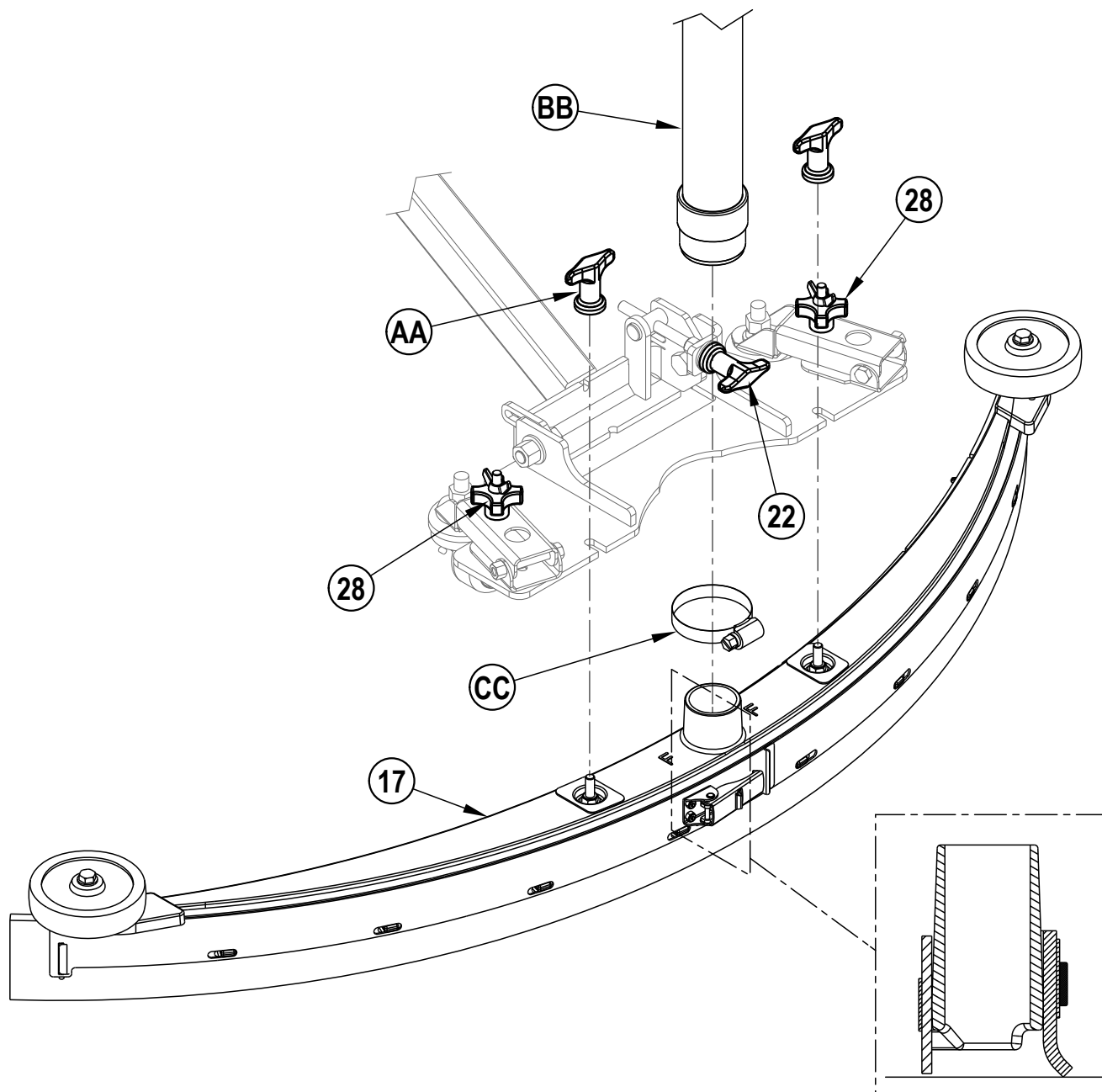
FIGURA 4.1



INSTALACIÓN DE LA BOQUILLA

- 1 Ver la **Figura 5**. Deslice en conjunto de la boquilla (17) sobre la abrazadera de montaje de la boquilla y apriete las tuercas de palomilla de montaje de la boquilla (**AA**).
- 2 Conecte la tubería de recuperación (**BB**) a la entrada de la boquilla mediante la pinza de la manguera (**CC**).
- 3 Siga los pasos de la sección "Ajuste del Escurridor" para ajustar adecuadamente la altura y el ángulo del escurridor.

FIGURA 5



REPARACIÓN Y USO DEL SISTEMA DE DETERGENTE (SOLO MODELOS ECOFLEX)

El Cartucho de Detergente (29) se encuentra detrás del Panel de Acceso Lateral (27). Llene el cartucho de detergente con 2.2 galones (8,32 litros) de detergente como máximo. **NOTA DE SERVICIO:** Retire el cartucho de la caja de detergente antes de llenarlo para no derramar detergente sobre la máquina.

Se recomienda utilizar un cartucho individual para cada detergente que planea usar. Los cartuchos de detergente tienen una pegatina blanca, de modo que puede escribir el nombre del detergente en cada cartucho para no mezclarlos. Elimine del sistema el detergente utilizado anteriormente antes de cambiar a un detergente diferente. Al instalar un nuevo cartucho, retire la tapa (AA) y coloque el cartucho en la caja de detergente. Instale la tapa sellada (BB) y el tubo de detergente como se muestra.

Elimine del sistema el detergente utilizado anteriormente antes de cambiar a un detergente diferente. **NOTA DE SERVICIO:** Desplace la máquina sobre un punto de drenaje en el suelo antes de eliminar el detergente, porque saldrá una pequeña cantidad durante el proceso.

Purgar al cambiar Detergentes (LOS SISTEMAS DE FREGADO Y SOLUCIÓN DEBEN ESTAR APAGADOS):

- 1 Desconecte y retire el cartucho de detergente.
- 2 Encienda el interruptor de contacto (A). Pulse y mantenga pulsado el interruptor de la solución (F) y el interruptor de detergente (J) durante 3 segundos. Suelte el interruptor cuando aparezca en la pantalla el icono de purga de detergente (K10) y comience a destellar el indicador del Interruptor de Detergente (J1). **NOTA:** Una vez activado, el proceso de purga dura 10 segundos. Observe los indicadores del sistema de detergente en la ilustración de la página siguiente. Por lo general, un solo ciclo de purga es suficiente para purgar el sistema.

Purgar semanalmente (LOS SISTEMAS DE FREGADO Y SOLUCIÓN DEBEN ESTAR APAGADOS):

- 1 Desconecte y retire el cartucho de detergente. Instale y conecte un cartucho lleno de agua limpia.
- 2 Encienda el interruptor de contacto (A). Pulse y mantenga pulsado el Interruptor de Solución (F) y el Interruptor de Detergente (J) durante 3 segundos. Suelte el interruptor cuando aparezca en la pantalla el icono de purga de detergente (K10) y comience a destellar el indicador del Interruptor de Detergente (J1). **NOTA:** Una vez activado, el proceso de purga dura 10 segundos. Observe los indicadores del sistema de detergente en la ilustración de la página siguiente. Por lo general, un único ciclo de purga es suficiente para purgar el sistema.

Cuando el nivel de detergente se acerque a la parte inferior del cartucho, es hora de recargar o sustituir el cartucho.

NOTA DE SERVICIO: Siga las instrucciones "Purgar semanalmente" indicadas más arriba si la máquina va a almacenarse durante un periodo de tiempo prolongado o si prevé un uso discontinuo del sistema de inyección de detergente.

Proporción de detergente (EL SISTEMA DE FREGADO DEBE ESTAR ENCENDIDO):

No se administra detergente hasta que se activan los sistemas de fregado y detergente y se presiona el pedal de tracción (8).

El icono de detergente (K4) siempre se mostrará cuando el sistema de detergente esté encendido. Existen 4 modos de funcionamiento EcoFlex:

1. *Modo de limpieza de agua normal* - Durante el fregado, el sistema de detergente puede apagarse en cualquier momento pulsando el interruptor de detergente (J) para permitir el fregado sólo con agua. El Indicador de Detergente (J1) estará APAGADO.
2. *Modo de detergente de mínima concentración* - Indicador de aumento de potencia (G1) ENCENDIDO (se activa presionando momentáneamente el Interruptor de Aumento de Potencia (G) cuando se encuentra en el modo de detergente de máxima concentración). Consulte más abajo los pasos para "Programar el nivel mínimo de detergente".
3. *Modo de detergente de máxima concentración* - Indicador de aumento de potencia (G1) APAGADO (se activa presionando y manteniendo presionado durante dos segundos el Interruptor de Aumento de Potencia (G). Consulte más abajo los pasos para "Programar el nivel máximo de detergente". No utilice un nivel de concentración mayor al recomendado por el fabricante del detergente.
4. *Modo de aumento de potencia de limpieza* - Presione el Interruptor de Aumento de Potencia (G) para aumentar la proporción de detergente durante un minuto al nivel de concentración "máximo" preprogramado (según se indica en las instrucciones de programación más abajo). Esto también hará que el flujo de la solución aumente al siguiente nivel y la presión de fregado aumente al siguiente nivel. El Indicador de Aumento de Potencia (G1) parpadeará durante un minuto.

Programar el Nivel de Detergente de Máxima Concentración

1. Pulse el interruptor de fregado OneTouch™ (D) para activar el sistema de fregado.
2. Presione y mantenga presionado el interruptor de aumento de potencia (G) durante aproximadamente 2 segundos hasta que el indicador (G1) se apague (modo de detergente de máxima concentración).
3. Presione y mantenga presionado el interruptor de detergente durante aproximadamente 2 segundos hasta que el indicador (J1) parpadee. Mientras que el indicador esté parpadeando, al presionar y liberar el interruptor de detergente, se alternará a través de las proporciones disponibles (400:1, 300:1, 256:1, 200:1, 150:1, 128:1, 100:1, 64:1, 50:1, 32:1).
4. Cuando la proporción deseada se muestre en la pantalla (K9), pare y guardará el ajuste tras 3 segundos.
5. Cada vez que el ajuste de detergente de máxima concentración se establece en una concentración más baja que el ajuste de la concentración mínima programada, el ajuste mínimo predeterminado de concentración será igual al valor máximo de la concentración hasta que sea modificado por el operador.

Programar el Nivel de Detergente de Mínima Concentración

1. Pulse el interruptor de fregado OneTouch™ (D) para activar el sistema de fregado.
2. Asegúrese de que el indicador de aumento de potencia (G1) esté encendido (modo de detergente de mínima concentración).
3. Presione y mantenga presionado el interruptor de detergente durante aproximadamente 2 segundos hasta que el indicador (J1) parpadee. Mientras que el indicador esté parpadeando, al presionar y liberar el interruptor de detergente, se alternará a través de las proporciones disponibles (Nota: estarán disponibles solamente las proporciones que sean de una concentración mayor o igual al ajuste de detergente mínimo).
4. Cuando la proporción deseada se muestre en la pantalla (K9), pare y guardará el ajuste tras 3 segundos.

Una vez programado, el flujo del detergente aumenta o disminuye automáticamente con el flujo de la solución, pero la proporción de detergente no varía.

REPARACIÓN Y USO DEL SISTEMA DE DETERGENTE (SOLO MODELOS ECOFLEX)

FIGURA 6

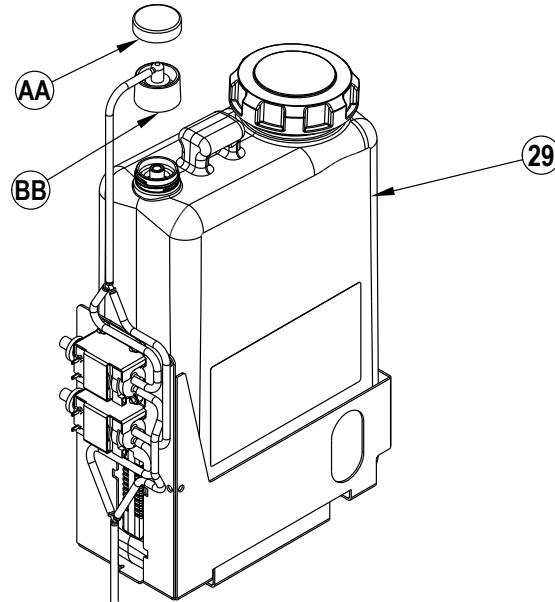
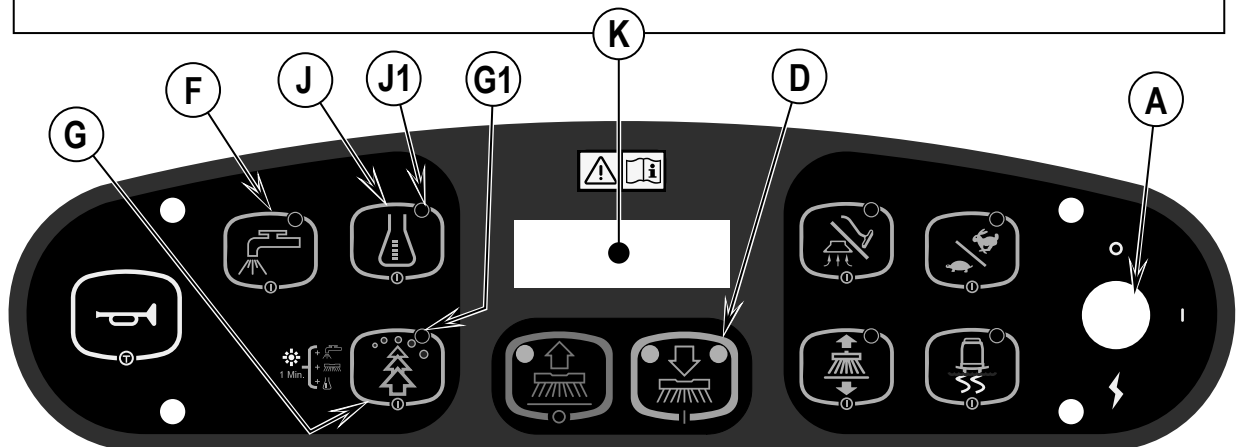


FIGURA 7

<p>0.2</p> <p>K10</p>	<p>Purga</p> <p>Pulse (J) y (F) durante 3 segundos para purgar.</p>
<p>0.2</p> <p>K9</p> <p>K4</p> <p>1:400</p>	<p>Modo detergente de concentración mínima</p>
<p>0.2</p> <p>1:200</p>	<p>Modo detergente de concentración máxima</p>



MANEJO DE LA MÁQUINA



¡ADVERTENCIA!

Asegúrese de que comprende los controles del operador y sus funciones.

Si se encuentra sobre una rampa o inclinación, evite las paradas bruscas cuando lleve carga. No tome las curvas bruscamente. Utilice una velocidad lenta si va cuesta abajo.

Para fregar...

Siga las instrucciones de la sección "Preparación de la máquina para el uso" de este manual.

- 1 **Ver la Figura 8.** Sentado en la máquina y utilizando los controles de ajuste (23) y (5), coloque el asiento y el volante en una posición de funcionamiento cómoda.
- 2 Encienda (I) el conmutador principal de llave (A). Se encenderán las luces indicadores del panel de control. Consulte el indicador de situación de las baterías (K5) y el cronómetro (K3) antes de proceder.
- 3 Suelte el freno de estacionamiento (6). Para llevar la máquina a la zona de trabajo, aplique con el pie una presión uniforme en la parte de delante del pedal de tracción (8) para ir hacia delante o en la parte de atrás para ir hacia atrás. Cambie la presión que hace en el pedal con el pie para obtener la velocidad deseada.
- 4 Pulse y mantenga pulsado el conmutador de la solución (F) durante 5 segundos para mojar previamente el suelo. **NOTA:** Esto ayuda a evitar la escarificación de la superficie del suelo cuando se empieza a fregar con cepillos secos. Esto debe realizarse antes de pulsar el interruptor de encendido del fregado (D).
- 5 Pulse el interruptor de encendido del fregado (D) una vez para un fregado regular, dos veces para un fregado duro o tres veces para un fregado extremo. El flujo de la solución y el detergente (modelos EcoFlex) tienen 3 preajustes que coinciden con los 3 modos de fregado (consulte el panel de control).
NOTA: Hay una función de reemplazo del flujo de la solución si desea aumentar el flujo de la solución sin aumentar la presión del fregado. Mantenga pulsado el conmutador de la solución (F) durante 3 segundos (el indicador de solución empezará a parpadear) y suéltelo. A continuación, dispone de 3 segundos para fijar un flujo diferente pulsando el conmutador de la solución (F) varias veces hasta que el indicador de flujo de la solución (K1) muestre el índice deseado (1-5 / ver el panel de control). Los siguientes ajustes de presión del fregado pondrán el flujo de la solución en el índice predeterminado.
- 6 Cuando se selecciona el interruptor de encendido del fregado (D), las escobillas, el escurridor y los cepillos laterales (modelos cilíndricos) se bajan automáticamente hasta el suelo. Los sistemas de fregado, solución, aspiración, detergente (modelos EcoFlex) y cepillos laterales (modelos cilíndricos) están todos habilitados automáticamente y se iniciarán cuando se active el Pedal de Tracción (8). Cualquier sistema individual puede apagarse o volver a encenderse con sólo presionar su interruptor en cualquier momento durante el fregado.
NOTA: Cuando se maneje la máquina marcha atrás, la boquilla se levantará automáticamente.
- 7 Empiece a fregar conduciendo la máquina marcha adelante en línea recta a una velocidad de paseo normal y solape las trayectorias de 2-3 pulgadas (50-75 mm). Ajuste cuando sea necesario la velocidad de la máquina y el flujo de solución según el estado del suelo.
NOTA: La velocidad máxima de fregado puede aumentarse pulsando el Interruptor de Velocidad de Fregado (L). La velocidad máxima predeterminada de fregado es inferior a la velocidad máxima de transporte. Al presionar este interruptor anula esta configuración predeterminada y permite fregar a la velocidad máxima de transporte.

Si se friega en un suelo liso o se realiza un doble fregado encendiendo el botón de control de tracción™ (B) se regula el par de la rueda motriz lo cual proporciona mayor control y una tracción mejorada en el suelo.

La altura del cepillo lateral puede ajustarse. Consulte la sección "Mantenimiento del cepillo lateral" de este manual.



¡PRECAUCIÓN!

Para evitar daños al suelo, mantenga la máquina en movimiento cuando los cepillos están girando.

- 8 Cuando friegue, compruebe de vez en cuando que detrás de la máquina se está recogiendo el agua residual. Si queda agua en la trayectoria de la máquina, puede que esté aportando demasiada solución, que el depósito de recogida esté lleno o que la boquilla necesite un ajuste.
- 9 De manera predeterminada, la máquina pasa al último modo de limpieza utilizado Detergente de mínima o máxima concentración (si el detergente está instalado y fue activado). Presione el Interruptor de Aumento de Potencia (G) para anular el modo de limpieza actual y aumentar temporalmente la presión de fregado, el flujo de la solución y la proporción de detergente (salvo que esté en Máxima Concentración). Esto hará que el indicador parpadee durante un minuto, el flujo de la solución aumentará al siguiente nivel, la presión de fregado aumentará al siguiente nivel y la proporción de detergente estará en el nivel de Máxima Concentración (el sistema de detergente se encenderá si estaba apagado).
NOTA: Al presionar y mantener pulsado el Interruptor de Aumento de Potencia (G) durante 2 segundos se cambia entre los modos de operación Mínima Concentración y Máxima Concentración. El sistema EcoFlex solo funcionará si el sistema de fregado (D) ha sido activado.
- 10 Para los suelos extremadamente sucios, puede que no sea satisfactoria una operación de fregado de una sola pasada y se puede necesitar una operación de "doble fregado". Esta operación es la misma que el fregado de un solo pase, salvo que en el primer pase la boquilla está en la posición levantada (presione el Interruptor de aspiración/varilla (I) para elevar la rasqueta). Esto permite que la solución de limpieza se quede en el suelo más tiempo. La última pasada se hace en la misma zona, con la boquilla bajada para recoger la solución acumulada.
- 11 El depósito de recuperación tiene un flotador de cierre (15) que apaga TODOS los sistemas excepto el sistema de tracción cuando el depósito de recuperación está lleno. Hay que vaciar el depósito de recuperación cuando se activa este flotador. La máquina no recogerá agua ni fregará con el flotador activado.
NOTA: Todos los demás indicadores desaparecen y un indicador de "llenado del depósito de recuperación" (K7) aparecen en el panel de visualización cuando el flotador se activa. Si el control indica constantemente que el depósito está lleno cuando no lo está, se puede desactivar la opción de cierre automático. Esto debe hacerlo un técnico de mantenimiento cualificado consultando el manual de servicio.
- 12 Cuando el operario quiera dejar de fregar o el depósito de recuperación esté lleno, pulse una vez el interruptor de apagado del fregado (E). Esto parará automáticamente los cepillos de fregado y el flujo de solución, y el portacepillos se levantará. La boquilla se levantará tras un breve intervalo de tiempo y la aspiración se detendrá tras un breve intervalo de tiempo (esto es así para recoger el agua que haya podido quedar sin tener que volver a encender la aspiración).
- 13 Conduzca la máquina a un lugar establecido para la eliminación de aguas residuales y vacíe el depósito de recuperación. Para vaciarlo, tire de la tubería de drenaje (19) para sacarla de su zona de almacenamiento trasera y, a continuación, retire el tapón (sostenga el extremo de la tubería por encima del nivel de agua para evitar el flujo súbito e incontrolado de agua residual). Rellene el depósito de solución y siga fregando.

NOTA: Asegúrese de que la tapa del depósito de recuperación (1) y de la tubería de drenaje del depósito de recuperación (19) están asentadas correctamente; de lo contrario, la máquina no recogerá correctamente el agua.

Cuando las baterías necesiten recargarse, el indicador de batería baja (K8) se encenderá, los cepillos de fregado y el flujo de solución se detendrán y el portacepillos se levantará. La boquilla se levantará tras un breve intervalo de tiempo y la aspiración se detendrá tras un breve intervalo de tiempo. Lleve la máquina a una zona de mantenimiento y recargue las baterías de acuerdo con las instrucciones en la sección de Baterías de este manual.

ASPIRACIÓN EN HÚMEDO

Pasos a seguir para añadir a la máquina accesorios opcionales para la aspiración en húmedo.

- 1 Desconecte de la boquilla (17) la tubería de recuperación. Conecte el acoplador y la varilla a la tubería de recuperación.
- 2 Añada a la tubería las herramientas de recogida adecuadas. (Un kit de varilla opcional PN56413687 está disponible en Advance).
- 3 Encienda el interruptor de contacto principal (A) y pulse el interruptor de aspiración/varilla (I). El motor de aspiración y la bomba estarán encendidos hasta que se vuelva a pulsar el interruptor para apagarlos. **NOTA:** El indicador de "llenado del depósito de recuperación" está deshabilitado cuando el está activado el modo de vara. El flotador detendrá el flujo que se introduce en el depósito de recuperación.

NOTA DE SERVICIO: Consulte el manual de servicio para obtener las descripciones funcionales detalladas de todos los controles y la programabilidad opcional.

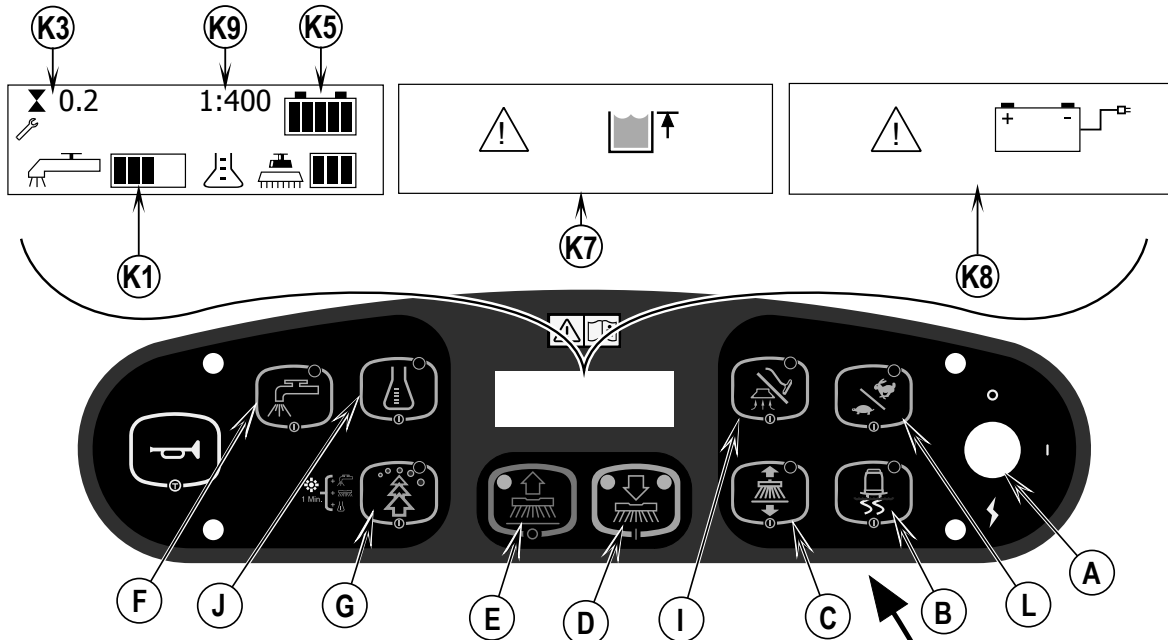
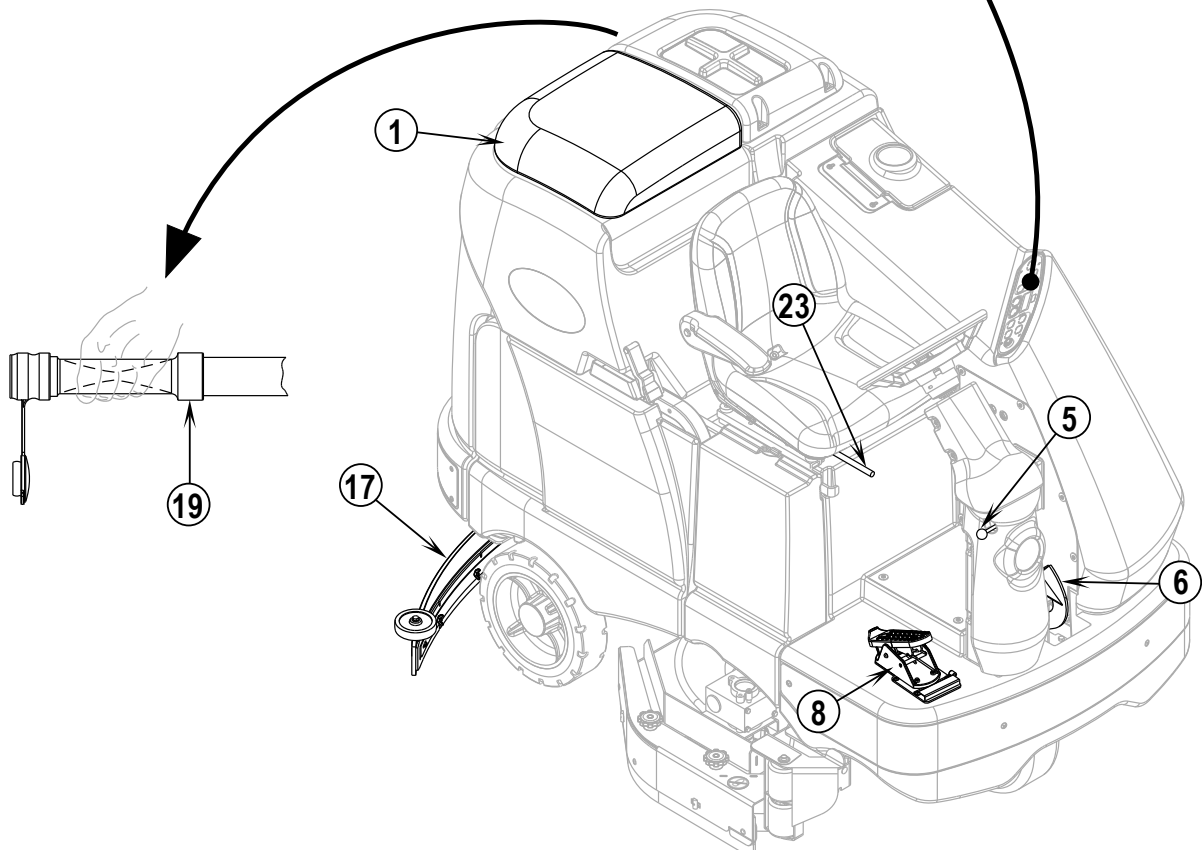


FIGURA 8



DESPUÉS DE LA UTILIZACIÓN

- 1 Cuando acabe de fregar, pulse el interruptor de apagado del fregado (**E**). Esto producirá la elevación, retracción y detención automática de todos los sistemas de la máquina (cepillo, boquilla, aspiración, solución y detergente (modelos EcoFlex)). A continuación conduzca la máquina a la zona de mantenimiento para el mantenimiento diario y la revisión de otros servicios necesarios.
- 2 Para vaciar el depósito de solución, retire la tubería de drenaje de la solución (**4**) de su pinza de almacenamiento. Dirija la tubería al lugar establecido para la eliminación y retire el tapón. Enjuague el depósito con agua limpia.
- 3 Para vaciar el depósito de recogida, retire la tubería de drenaje del depósito de recuperación (**19**) de su zona de almacenamiento. Dirija la tubería al lugar establecido para la eliminación de aguas residuales y retire el tapón (sostenga el extremo de la tubería por encima del nivel de agua para evitar el flujo súbito e incontrolado de agua residual). Se puede apretar la tubería de drenaje del depósito de recuperación para regular el flujo. Enjuague el depósito con agua limpia. Inspeccione las mangueras de recuperación y aspiración y sustitúyalas si están torcidas o dañadas.
- 4 Retire los cepillos o los portabayetas. Enjuague los cepillos o las bayetas con agua templada y tiéndalos para que sequen.
- 5 Retire la boquilla, enjuáguela con agua templada y vuelva a instalarla en el montaje.
- 6 Retire la tolva del sistema cilíndrico y límpiela completamente. Retírelo desde cualquier lado de la máquina retirando la faldilla e inclinándolo hacia arriba y hacia fuera del contenedor y tire de él para sacarlo.
- 7 Compruebe el programa de mantenimiento que viene a continuación y realice cualquier operación de mantenimiento necesaria antes de guardar la máquina.

PROGRAMA DE MANTENIMIENTO

OPERACIÓN DE MANTENIMIENTO	Diaria	Semanal	Mensual	Anual
Recarga de baterías	X			
Limpiar e inspeccionar depósitos y tuberías	X			
Comprobar, limpiar y girar los cepillos y las bayetas	X			
Comprobar y limpiar la boquilla	X			
Limpiar e inspeccionar el flotador de cierre de la aspiración	X			
Comprobar y limpiar el (los) filtro(s) de espuma del motor de aspiración	X			
Limpiar la tolva del sistema cilíndrico	X			
Comprobar el nivel de agua de todas las células de las baterías		X		
Inspeccionar las faldillas contenedoras de fregado		X		
Inspeccionar y limpiar el filtro de la solución		X		
Comprobar el desgaste y el ajuste de los frenos de pie y de estacionamiento		X		
Limpiar el canal de la solución del sistema cilíndrico		X		
Purgar el sistema de detergente (sólo modelos EcoFlex)		X		
Mantenimiento del cepillo lateral		X		
Lubricación - accesorios de engrase			X	
* Comprobar los cepillos de carbono				X

* Haga que Advance compruebe los cepillos de carbono del motor de aspiración una vez al año o después de 300 horas de funcionamiento. Compruebe los cepillos de carbono de los motores de tracción y fregado cada 500 horas o una vez al año.

NOTA: Para más información sobre reparaciones de mantenimiento y servicio, consulte el Manual de Servicio.

- 8 Almacene la máquina en interior, en un lugar limpio y seco. Protéjala de la congelación. Deje los depósitos abiertos para airearlos.
- 9 Apague (O) el conmutador principal de llave (**A**) y quite la llave.
- 10 Las baterías son el artículo de reemplazo más caro en esta máquina. Para proteger su inversión y obtener la mayor cantidad de ciclos posibles de las baterías, recuerde lo siguiente:
 - Las baterías duran más si se mantienen totalmente cargadas.
 - Baterías equipadas con esta máquina no desarrollarán una memoria.
 - Las baterías durarán más y realizarán más ciclos si están oportunamente cargadas.
 - Los cargadores no sobrecargarán o cargarán insuficientemente las baterías.
 - Las baterías fallarán prematuramente si se almacenan descargadas.
 - Todos los días, luego de su uso, el cargador de batería debe ser enchufado y el cargador debe poder realizar una secuencia de carga completa para una carga completa de las baterías.

LUBRICACIÓN DE LA MÁQUINA – FIGURA 9

Una vez al mes, ponga una pequeña cantidad de grasa en todos los accesorios de engrase de la máquina hasta que la grasa salga por alrededor de los cojinetes.

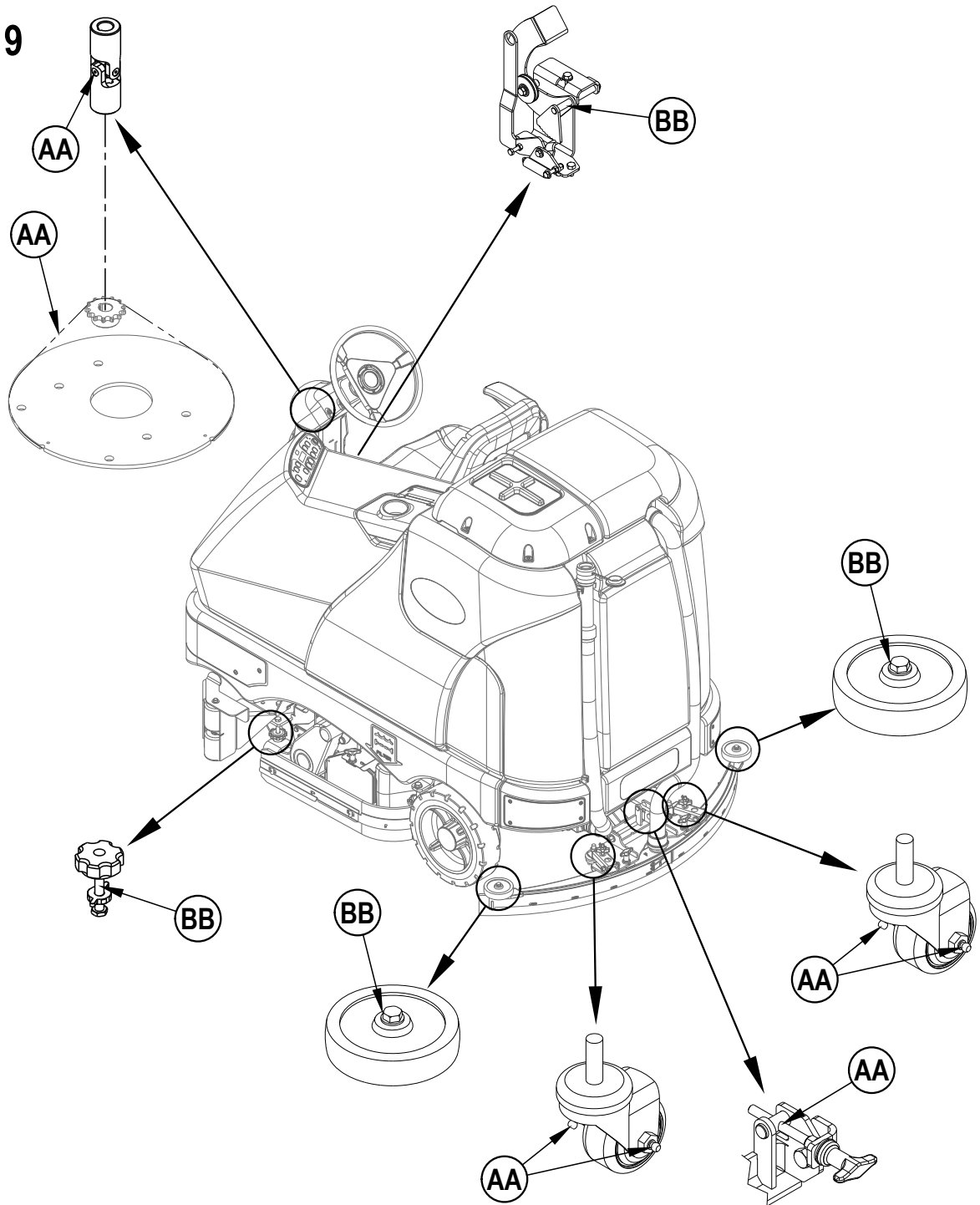
Ubicación de los accesorios de engrase (AA):

- Eje y placa giratoria de la rueda de la roldana de la boquilla
- Junta universal de la barra del volante
- Cadena de dirección
- Roscas del botón de ajuste del ángulo de montaje de la boquilla

Una vez al mes, aplique aceite ligero de máquina o aerosol lubricante sintético para lubricar (BB):

- Ruedas del extremo de la boquilla
- Junta del pedal de freno (freno de estacionamiento)
- Mandos de ajuste de altura del faldón lateral

FIGURA 9



RECARGA DE BATERÍAS

Recargue las baterías cada vez que se utilice la máquina o cuando el indicador de batería (K5) presente un nivel inferior al de carga completa.

Para cargar las baterías...

- 1 Ver la Figura 10. Pulse la desconexión de las baterías (11).
- 2 Abra el panel de acceso lateral (27) e introduzca el conector del cargador en el conector de baterías (20).
- 3 Siga las instrucciones que aparecen encima del cargador de las baterías.
- 4 Compruebe el nivel del fluido en todas las células de las baterías después de recargar las baterías. Si es necesario, añada agua destilada para que el nivel de fluido llegue hasta el fondo de los tubos de llenado.

⚠ ¡ADVERTENCIA!

No rellene las baterías antes de recargarlas.

Recargue las baterías exclusivamente en una zona bien ventilada.

No fume mientras maneja las baterías.

Cuando revise las baterías...

- * Qítense todas las joyas
- * No fume
- * Lleve gafas de seguridad, un delantal de goma y guantes de goma
- * Trabaje en una zona bien ventilada
- * No permita que las herramientas toquen simultáneamente más de un terminal de batería
- * Al sustituir las baterías, desconecte SIEMPRE en primer lugar el cable (de tierra) negativo para evitar chispas.
- * Al instalar las baterías, conecte SIEMPRE el cable negativo al final.

⚠ ¡PRECAUCIÓN!

Para evitar daños a la superficie del suelo, limpie siempre el agua y el ácido de la parte superior de las baterías después de la recarga.

COMPROBACIÓN DEL NIVEL DE AGUA DE LAS BATERÍAS

Compruebe el nivel de agua de las baterías al menos una vez a la semana.

Después de cargar las baterías, retire las cubiertas de ventilación y compruebe el nivel de agua de todas células de las baterías. Utilice agua destilada o desmineralizada en un dispensador de relleno de baterías (disponible en la mayoría de las tiendas de materiales para coches) para llenar todas las células hasta el indicador de nivel (o hasta 10 mm por encima de la parte superior de los separadores). ¡NO rellene demasiado las baterías!

⚠ ¡PRECAUCIÓN!

Si las baterías están demasiado llenas se puede salpicar ácido al suelo.

Apriete las cubiertas de ventilación. Limpie la parte superior con una solución de levadura química y agua (2 cucharadas de levadura química en 1 litro de agua).

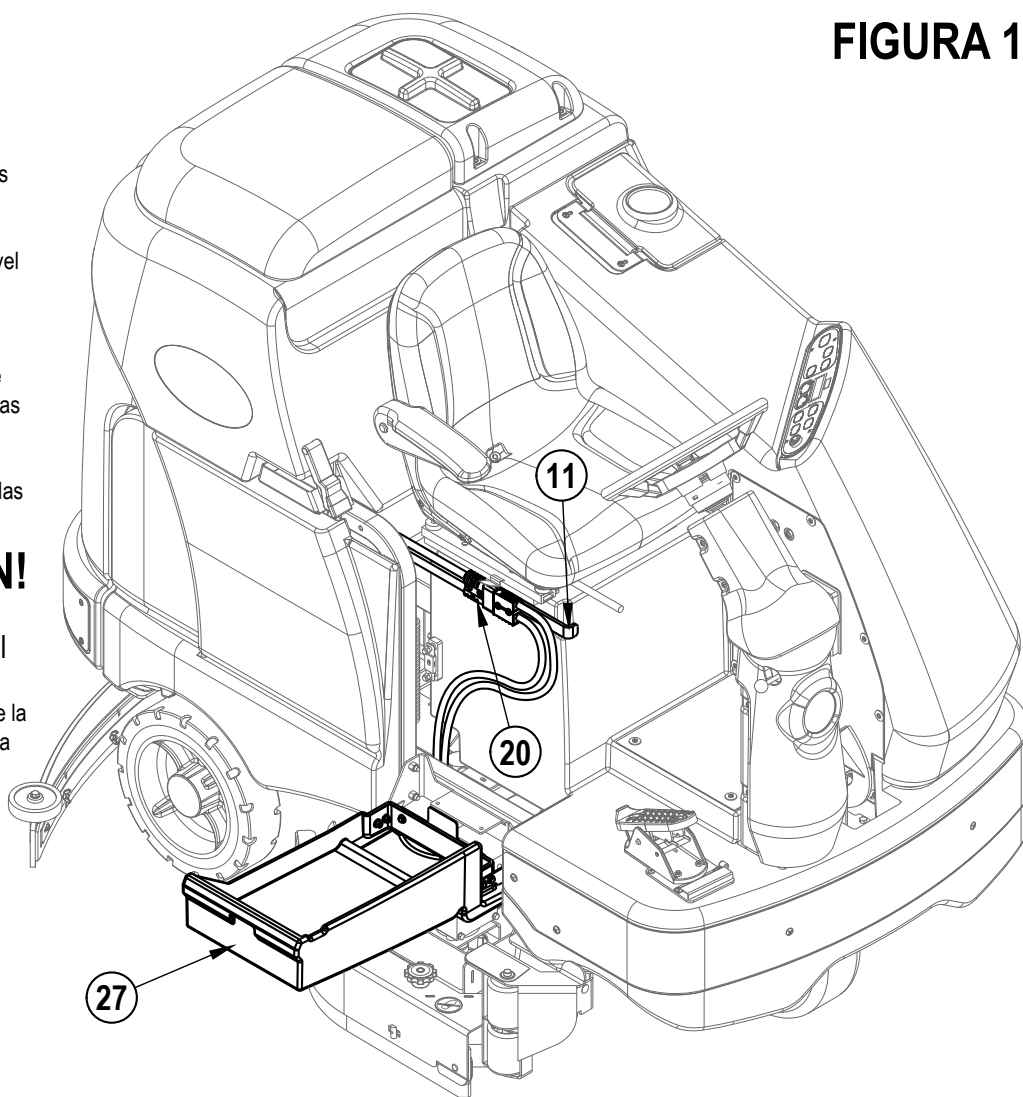


FIGURA 10

MANTENIMIENTO DE LA BOQUILLA

Si la boquilla deja bandas estrechas de agua, puede que las cuchillas estén sucias o dañadas. Retire la boquilla, enjuáguela con agua tibia e inspeccione las cuchillas. Sustituya o invierta las cuchillas si están cortadas, rasgadas, onduladas o gastadas.

Para invertir o sustituir la cuchilla secadora de la boquilla trasera...

- 1 Ver la Figura 11. Eleve la boquilla del suelo y, a continuación, desbloquee el pestillo central (AA) de la boquilla.
- 2 Retire las correas de tensión (BB).
- 3 Deslice la cuchilla posterior para sacarla de las clavijas de alineación.
- 4 La cuchilla de la boquilla tiene 4 bordes de trabajo como se indica a continuación. Gire la cuchilla de manera que un borde limpio e intacto apunte hacia la parte frontal de la máquina. Sustituya la cuchilla si los 4 bordes están mellados, desgastados o reducidos al mínimo.
- 5 Instale la cuchilla siguiendo los pasos en orden inverso y ajuste la inclinación de la boquilla.

Para invertir o sustituir la cuchilla de la boquilla delantera...

- 1 Eleve la boquilla del suelo y a continuación suelte las (2) tuercas de palomilla (CC) de la parte superior de la boquilla y retire la boquilla del montaje.
- 2 Retire las dos correas de tensión primero.
- 3 Retire todas las tuercas de palomilla que sujetan la cuchilla delantera y a continuación retire las correas de tensión y la cuchilla.
- 4 La cuchilla de la boquilla tiene 4 bordes de trabajo como se indica a continuación. Gire la cuchilla de manera que un borde limpio e intacto apunte hacia la parte frontal de la máquina. Sustituya la cuchilla si los 4 bordes están mellados, desgastados o reducidos al mínimo.
- 5 Instale la cuchilla siguiendo los pasos en orden inverso y ajuste la inclinación de la boquilla.

AJUSTE DE LA BOQUILLA

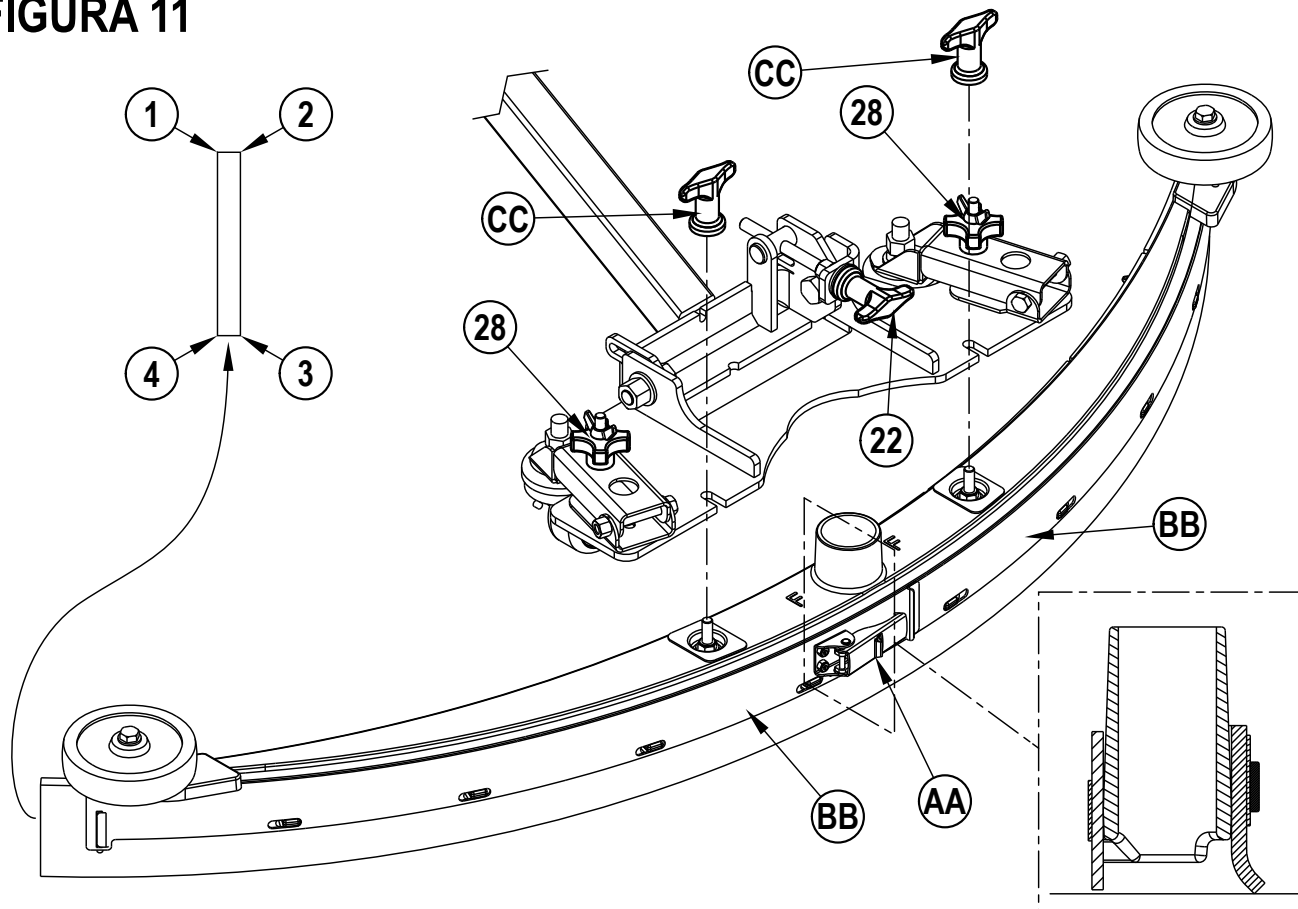
Hay dos ajustes de la boquilla posibles, la altura y el ángulo.

Ajuste del ángulo de la boquilla

Ajuste el ángulo de la boquilla siempre que sustituya o invierta la cuchilla o cuando la boquilla no deje seco el suelo.

- 1 Aparque la máquina en una superficie plana e igualada.
- 2 Baje la boquilla, desplace la máquina hacia delante y ajuste la inclinación y la altura de la boquilla utilizando el botón de ajuste de inclinación de la boquilla (22) y los botones de ajuste de altura de la boquilla (28) de modo que la cuchilla de la boquilla trasera toque el suelo homogéneamente en toda la anchura y se doble ligeramente como se muestra en la sección transversal de la boquilla.
- 3 Altura del escurridor está pre-configurada de fábrica pero puede requerir ajustes periódicos debido al desgaste de lanzador. La altura adecuada del escurridor se consigue cuando la cuchilla del escurridor delantera está en contacto con el suelo, pero no se inclinó. Utilice el ajuste de altura de Perillas (28) para asegurarse que la posición de la hoja es uniforme de izquierda a derecha.
- 4 El ajuste de inclinación de la perilla (22) se utiliza para ajustar el ángulo de la herramienta para el contacto uniforme desde el centro a la punta de pala.

FIGURA 11



MANTENIMIENTO DE LA FALDILLA LATERAL

La función de las faldillas laterales es canalizar el agua residual hasta la boquilla, lo que ayuda a mantener el agua dentro de la trayectoria de limpieza de la máquina. Durante el uso normal las cuchillas se gastarán con el tiempo. El operador verá que una pequeña cantidad de agua sale por debajo de las faldillas laterales. Puede realizarse fácilmente un ajuste de la altura para bajar las cuchillas de modo que la boquilla pueda recoger todo el agua.

Para invertir o sustituir la(s) faldilla(s) lateral(es) del sistema de fregado...

- 1 **Ver la Figura 12.** Afloje los (2) botones de retención de la faldilla lateral (**AA**) (2 por cada lado) y retire las faldillas (**BB**) del portacepillos. **NOTA:** Retire las faldillas deslizándolas primero hacia delante y luego tirando de ellas para sacarlas.
- 2 Retire todo el material que mantiene las hojas en los alojamientos de los faldones. **NOTA:** La cuchilla principal en cada contenedor de faldilla se sujeta con retenes sin herramienta. Afloje las tuercas de palomilla (**CC**) grandes y, a continuación, gire los botones (**DD**) en la parte externa del contenedor de faldilla hasta que estén en posición horizontal y presione a través de las ranuras. La pequeña cuchilla interior (**EE**) en modelos de disco está sujeta por un plato y dos tornillos y tuercas y tiene 2 bordes de trabajo.
- 3 La cuchilla de la faldilla principal tiene 4 bordes de trabajo como se indica a continuación. Gire la cuchilla de manera que un borde limpio e intacto apunte hacia la parte central de la máquina. Sustituya las cuchillas como un conjunto si los 4 bordes están mellados, desgarrados o desgastados y no pudieran ajustarse.
- 4 Vuelva a instalar los contenedores de faldillas en la máquina y ajuste la cuchilla para que haga un buen contacto con el suelo cuando el portacepillos está situado en la posición de fregado.

AJUSTE DE ALTURA DE LA FALDILLA LATERAL

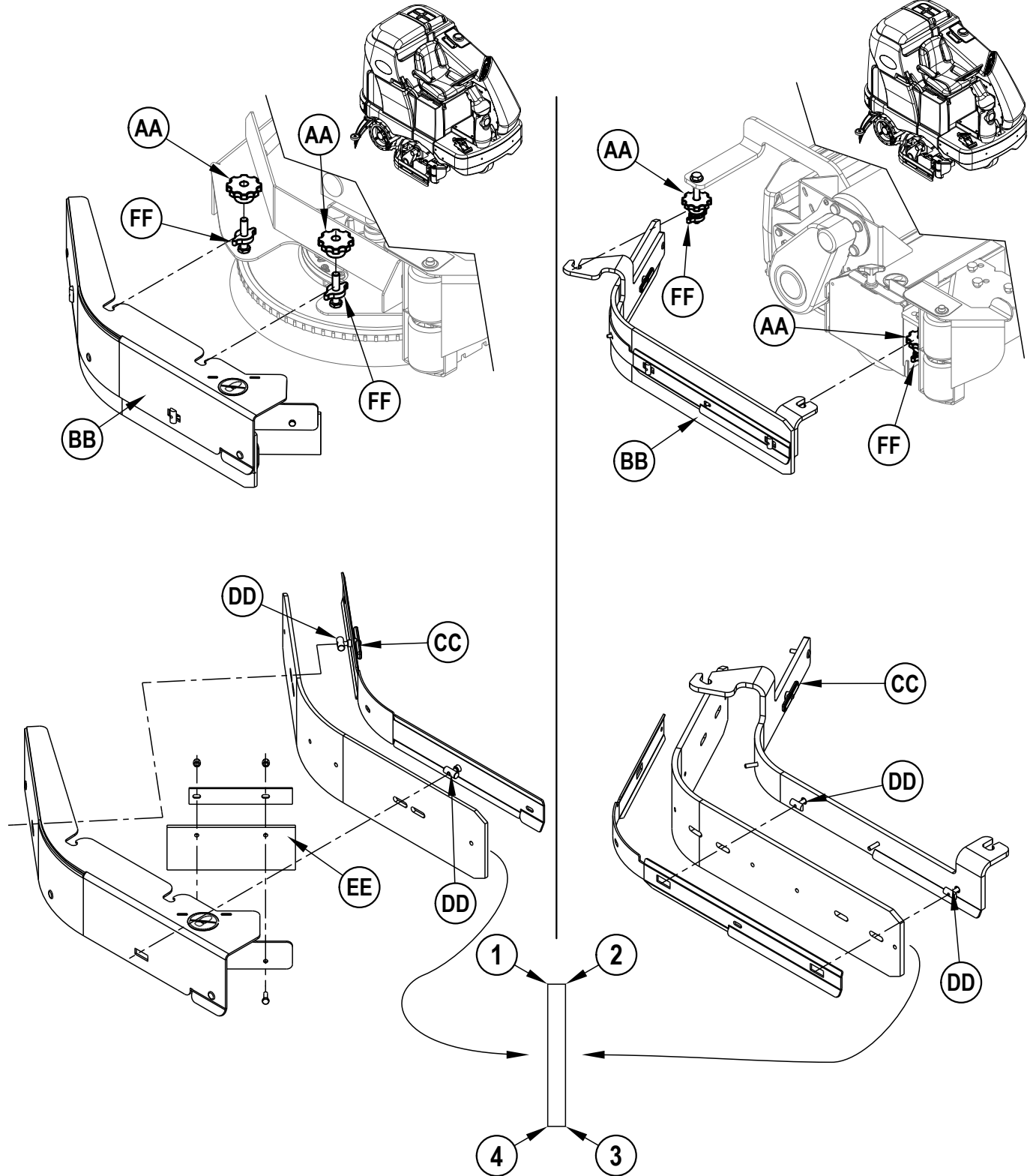
- 1 Los pernos del retén de botón del contenedor de faldilla tienen collares de ajuste (**FF**) de compensación que pueden levantarse o bajarse para compensar el desgaste de la cuchilla.
- 2 Para ajustar, retire las faldillas (**BB**) del portacepillos para acceder a los collares de ajuste **FF**. Consejo para el ajuste: Los botones de retención de las faldillas (**AA**) pueden aflojarse con las faldillas encendidas y los collares d ajuste (**FF**) pueden girarse bajo el contenedor de faldilla.
- 3 Gire los collares de ajuste (**FF**) (arriba o abajo) hasta donde las cuchillas se plieguen lo suficiente al fregar de modo que toda el agua residual se encuentre dentro de las faldillas. **NOTA:** Realice pequeños ajustes para obtener un buen secado de la cuchilla. No baje las cuchillas demasiado de modo que se plieguen excesivamente y sufran un desgaste innecesario.

MANTENIMIENTO DE LA FALDILLA LATERAL

FIGURA 12

DISCO

CILÍNDRICO



MANTENIMIENTO DEL CEPILLO LATERAL

El cepillo lateral desplaza la suciedad y los residuos de paredes o bordillos hacia el tramo del cepillo principal. Ajuste el cepillo lateral de manera que las cerdas estén en contacto con el suelo cubriendo la zona entre las 10 (AA) y las 3 (BB) ilustrada en la **Figura 13** cuando el cepillo está hacia abajo y funcionando.

Los cepillos laterales se ajustan con el modo de ajuste. Para entrar en el "Modo de Ajuste" siga los siguientes pasos...

- 1 Coloque el interruptor de contacto (A) en posición de apagado (O).
- 2 Presione y mantenga el Interruptor del cepillo lateral (C) y el Interruptor de apagado del fregado (E).
- 3 Mientras mantiene presionados los interruptores (C & E), gire el interruptor de contacto a la posición de encendido (I).
- 4 Continúe presionando los interruptores durante 2 segundos hasta que se enciendan los LED del cepillo lateral, apagado del fregado y encendido del fregado.
- 5 Suelte los interruptores. La pantalla (K) mostrará ahora [SIDE BROOM ADJUSTMENT] "AJUSTE DEL CEPILLO LATERAL".

Una vez dentro del "Modo Ajuste" siga los siguientes pasos para ajustar el cepillo lateral...

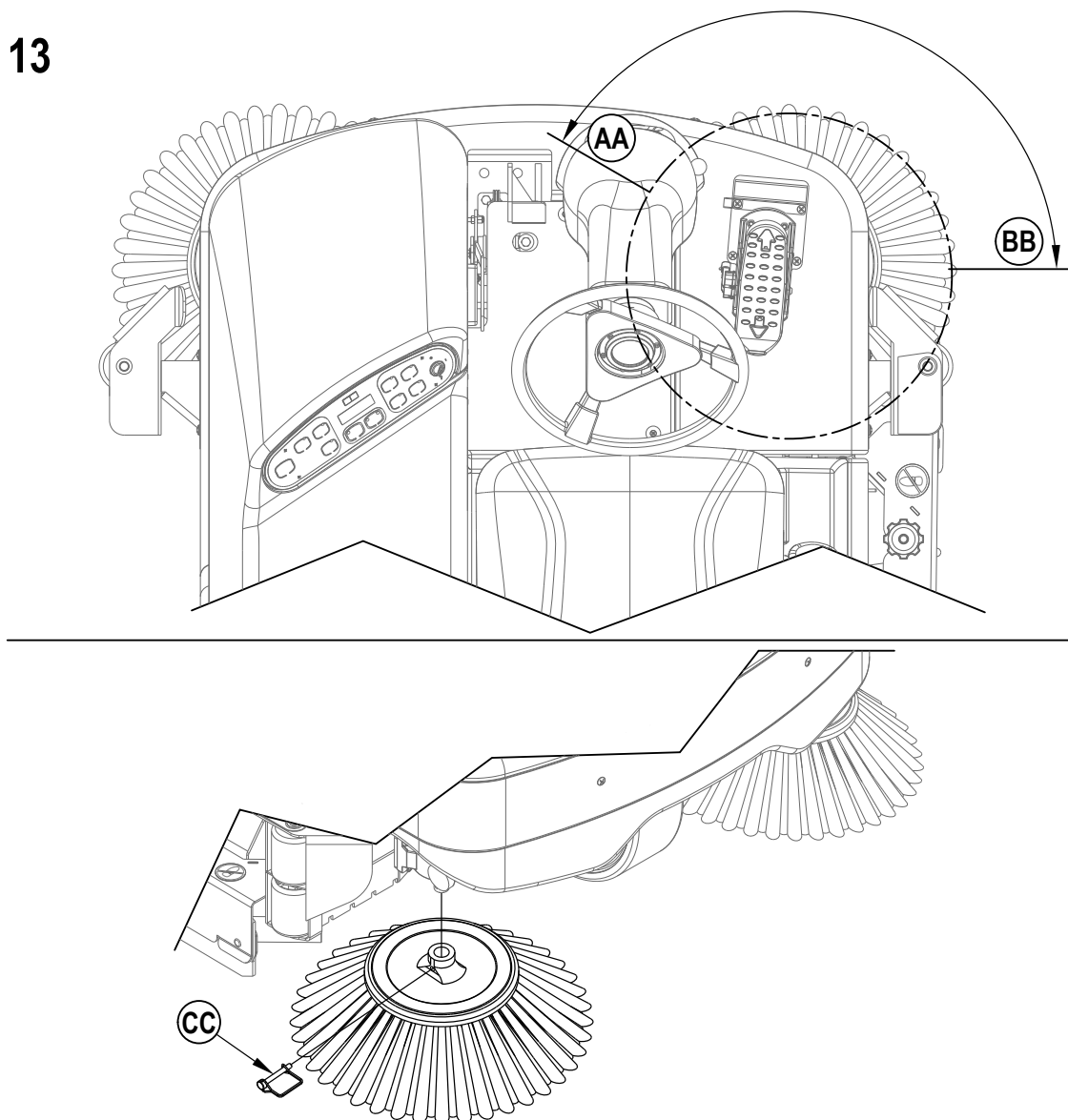
- 1 Presione el Interruptor de encendido del fregado (D) para bajar los cepillos laterales y presione el Interruptor del cepillo lateral (C) para subir los cepillos laterales hasta alcanzar la altura deseada.
- 2 Para guardar la posición de la altura del cepillo lateral, presione el Interruptor de apagado del fregado (E). Los cepillos laterales se elevarán hasta la posición ARRIBA y la pantalla ahora mostrará un ícono de llave (indicando que el interruptor de contacto debe ser colocado en posición de apagado y encendido).
- 3 La máquina ahora ya está reprogramada para usar la nueva altura del cepillo lateral.

NOTA: La máquina debe guardarse con los cepillos principales en posición elevada. Para un uso eficaz, los cepillos laterales deben cambiarse cuando las cerdas estén gastadas hasta una longitud de 3 pulgadas (7,62 cm).

Para cambiar el cepillo lateral...

- 1 Suba el cepillo lateral.
- 2 Retire el pasador grande (CC) que sujeta el cepillo lateral y retire el cepillo.
- 3 Instale el nuevo cepillo deslizándolo hacia arriba en el eje y volviendo a instalar el pasador (CC).

FIGURA 13

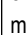



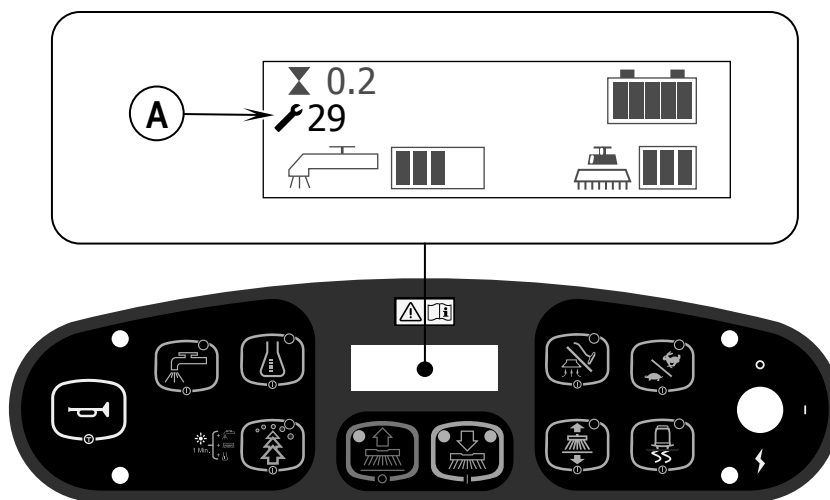
SOLUCIÓN DE PROBLEMAS GENERALES DE LA MÁQUINA










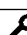







Problema	Posible causa	Solución
Recogida escasa del agua	Cuchillas de la boquilla gastadas o desgarradas	Invierta o sustituya las cuchillas
	Boquilla mal ajustada	Ajuste la boquilla de manera que las cuchillas toquen el suelo de manera uniforme en toda su anchura
	Depósito de recuperación lleno	Vacíe el depósito de recuperación
	Fuga en la tubería de drenaje del depósito de recuperación	Sujete la tapa de la tubería de drenaje o sustitúyala
	Fuga en la junta de la tapa del tanque de recuperación	Sustituya la junta / Asiente correctamente la tapa
	Residuos atrapados en la boquilla	Limpie la herramienta de boquilla
	Manguera de aspiración obstruida	Retire los residuos
	Uso de demasiada solución	Reduzca el flujo a través del botón de solución del panel de control
	Tapa de filtro de espuma no asentada	Asiente la tapa correctamente
Fregado poco eficaz	Cepillo o bayeta desgastados	Gire o sustituya los cepillos
	Tipo de cepillo o bayeta incorrecto	Consulte con Advance
	Limpiador químico incorrecto	Consulte con Advance
	Movimiento demasiado rápido de la máquina.	Reduzca la velocidad.
	No se está utilizando suficiente solución.	Aumente el flujo a través del botón de solución del panel de control
Los motores de fregado no funcionan	Desconexión del disyuntor de 20 A (F3)	Compruebe si existe un cortocircuito eléctrico y reinicie
Flujo de solución inadecuado o falta de solución	Depósito de solución vacío	Llene el depósito de solución
	Tuberías, válvulas, filtro o canal de la solución obstruidos	Lave las tuberías y el canal y limpie el filtro de solución
	Solución apagada	Active el flujo a través del botón de solución del panel de control
	Válvula de solenoide de la solución obstruida o defectuosa	Limpie o sustituya la válvula (véase el manual de servicio)
La máquina no funciona	Conmutador de parada de emergencia desconectado	Vuelva a conectar los conectores de batería
	Conmutador de seguridad del asiento del operador	Compruebe si existe un cortocircuito y sustituya
	Controlador principal del sistema	Compruebe los códigos de error (véase el manual de servicio)
	Desconexión del disyuntor de 3 A (F1)	Compruebe si existe un cortocircuito eléctrico y reinicie
Ausencia de tracción de las ruedas en marcha adelante/atrás	Controlador de velocidad del sistema de tracción	Compruebe los códigos de error (véase el manual de servicio)
	Conmutador de parada de emergencia desconectado	Vuelva a conectar los conectores de batería
La aspiración se apaga y la pantalla indica "FULL" (Lleno) cuando el depósito de recuperación no está lleno	Manguera de la boquilla obstruida	Elimine los residuos
	Aspiración de grandes cantidades de agua a alta velocidad de desplazamiento	Reduzca la velocidad o desactive la función de apagado automático (véase el manual de servicio)
Barrido poco eficaz (sistema cilíndrico)	La tolva está llena	Vacíe y limpie la tolva
	Cepillos gastados	Sustituya los cepillos
	Las cerdas han adquirido una forma	Invierta los cepillos
No hay flujo de detergente (sólo modelos EcoFlex)	Cartucho de detergente vacío	Llene cartucho de detergente
	Línea de flujo de detergente obstruida o torcida	Purgue el sistema, enderece las líneas para eliminar pliegues
	Tapa de junta seca en cartucho de detergente sin sellar	Selle tapa de junta seca
	Cableado de la bomba de detergente desconectado o hacia atrás	Conecte o reconecte cableado






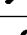







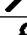
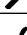





SOLUCIÓN DE PROBLEMAS GENERALES DE LA MÁQUINA

CÓDIGO DE ERROR EN PANTALLA

Cualquier código de error detectado por el Montaje de la Placa de Control A2 se mostrará en la pantalla del panel de control ni bien ocurra. Si existiera más de un error, la pantalla secuenciará los códigos de error en intervalos de un segundo. El error (A) se mostrará con un símbolo de llave mecánica  seguido por un código de dos dígitos. Por ejemplo  29, como se muestra en el dibujo adyacente, sería un error de motor de aspiración abierto.



Código exhibido	Descripción del Error o Falla
 01	Falla del resistor del sentido del portacepillos R2.
 03	Falla de control de velocidad.
 04	Sobrecarga del motor de fregado Observe que algunos modelos utilizan uno, dos o tres motores de fregado.
 05	Sobrecarga de la bobina del contactor del motor del cepillo izquierdo. El contactor K4 es para el motor de la izquierda en las plataformas de tres motores.
 06	Sobrecarga de la bobina del contactor del motor del cepillo central. El contactor K3 es para el motor del centro en las plataformas de tres motores. El K3 es para el motor de la izquierda en plataformas de dos motores.
 07	Sobrecarga de la bobina del contactor del motor del cepillo derecho. El contactor K2 es para el motor de la derecha en las plataformas de dos o tres motores. K2 es único contactor en plataformas de motor único.
 08	Sobrecarga del accionador del portacepillos.
 09	Sobrecarga del motor de aspiración.
 10	Sobrecarga de la bobina del contactor del motor K1 de aspiración.
 11	Sobrecarga del accionador del escurridor.
 12	Sobrecarga del solenoide de solución L1
 13	Sobrecarga de la bomba de control de solución
 16	Sobrecarga de la bobina del contractor de la escobilla lateral del motor K6.
 17	Sobrecarga del accionador del cepillo lateral
 18	Sobrecarga de la bobina del contractor auxiliar K5
 19	Sobrecarga de la alarma de retroceso
 20	Falla de la salida del Claxon

Código exhibido	Descripción del Error o Falla
 21	Motor de fregado abierto
 22	Bobina del contactor del motor del cepillo izquierdo abierta.
 23	Cortocircuito a tierra de la bobina del contactor del motor del cepillo izquierdo
 24	Bobina del contactor del motor del cepillo central abierta.
 25	Cortocircuito a tierra de la bobina del contactor del motor del cepillo central
 26	Bobina del contactor del motor del cepillo derecho abierta.
 27	Cortocircuito a tierra de la bobina del contactor del motor del cepillo derecho
 28	Accionador del portacepillos abierto.
 29	Motor de aspiración abierto
 30	Bobina del contractor del motor de aspiración abierta
 31	Cortocircuito a tierra de la bobina del contactor del motor de aspiración K1
 32	Accionador del escurridor abierto
 33	Solenoide de solución L1 abierto
 34	Cortocircuito a tierra de solución de solenoide L1
 35	Bomba de control de solución abierta
 36	Bobina del contractor del motor de la escoba lateral abierta
 37	Cortocircuito a tierra de la bobina del contractor del motor de la escoba lateral K6
 38	Accionador del motor del cepillo lateral Abierto
 39	Bobina del contractor del motor auxiliar abierta
 40	Cortocircuito a tierra de la bobina del contactor del motor auxiliar K5
 41	Alarma de respaldo abierta
 42	Cortocircuito a tierra de la alarma de respaldo

ACCESORIOS / OPCIONES

Además de los componentes estándar, la máquina puede equiparse con los siguientes accesorios / opciones, de acuerdo con el uso específico de la máquina:

- Cepillos con cerdas más duras o más blandas
- Juego de llenado automático de solución
- Juego de motor de aspiración
- Juego de baliza de aviso
- Juego de asiento de lujo
- Juego de protección superior
- Juego de cinturón de seguridad
- Juego de rodamiento de batería
- Juego de Protección del Pie para Operador
- Juego de alarma de retroceso
- Juego de varilla aspersora
- Juego de luz delantera
- Juego de parachoques frontal fuerte
- Juego de alfombra de piso
- Juego de medición de detergente
- Juego de parachoques frontal tubo

Para más información sobre los accesorios mencionados anteriormente, póngase en contacto con un distribuidor autorizado.

Composición del Material y Reciclabilidad		
Tipo	% de peso de la máquina	% reciclable
Aluminio	2%	100%
Motores/máquinas/eléctricas - otros	19%	33%
Metales ferrosos	51%	100%
Arnés (de seguridad)/ cables	2%	81%
Líquidos	0%	0%
Plástico no reciclable	3%	0%
Plástico reciclable	3%	100%
Polietileno	21%	92%
Goma	1%	33%

CAUDALES DE SOLUCIÓN

	Caudales Estándar			Caudales Anulados	
	1 bar	2 bars	3 bars	4 bars	5 bars
Disco de 40"	.84 GPM	1.00 GPM	1.50 GPM	2.00 GPM	2.50 GPM
Cilíndrico de 40"	.70 GPM	.84 GPM	1.00 GPM	1.50 GPM	2.50 GPM
Disco de 45"/48"	1.00 GPM	1.50 GPM	2.00 GPM	2.25 GPM	2.50 GPM
45"/48" Cilíndrico	.84 GPM	1.00 GPM	1.50 GPM	2.00 GPM	2.50 GPM

ESPECIFICACIONES TÉCNICAS (SEGÚN LA INSTALACIÓN Y LAS PRUEBAS DE LA UNIDAD)

Modelo		SC6500 40C	SC6500 45C	SC6500 48C
		SC6500 40D	SC6500 45D	SC6500 48D
Nº de modelo		56414010	56414014	56414018
		56414012	56414016	56414020
Tensión, Baterías	V	36V	36V	36V
Capacidad de la Batería (max.)	Ah	450	450	450
Grado de protección		IPX3	IPX3	IPX3
Nivel de Presión Sonora - Cilíndrica IEC 60335-2-72: 2002, enmienda 1:2005, ISO 11201	dB(A)/20µPa	70	70	70
Nivel de presión sonora – KpA (IEC 60335-2-72, ISO 11201) - Incertidumbre	dB (A)	3.0	3.0	3.0
Nivel de Presión Sonora - Disco IEC 60335-2-72: 2002, enmienda 1:2005, ISO 11201	dB(A)/20µPa	70	70	70
Nivel de presión sonora – KpA (IEC 60335-2-72, ISO 11201) - Incertidumbre	dB (A)	3.0	3.0	3.0
Peso Bruto* - Cilíndrico	lb./kg	3325 / 1508	3365 / 1526	3410 / 1547
Peso de Traslado** - Cilíndrico	lb./kg	2897 / 1314	2937 / 1332	2982 / 1353
Peso Bruto* - Disco	lb./kg	3220 / 1460	3270 / 1483	3320 / 1506
Peso de Traslado** - Disco	lb./kg	2792 / 1266	2842 / 1289	2892 / 1312
Carga máxima en suelo de rueda (frontal central)	psi / kg/cm ²	116 / 8.15	116 / 8.15	116 / 8.15
Carga máxima en suelo de rueda (posterior derecha)	psi / kg/cm ²	81 / 5.69	81 / 5.69	81 / 5.69
Carga máxima en suelo de rueda (posterior izquierda)	psi / kg/cm ²	86 / 6.04	86 / 6.04	86 / 6.04
Vibraciones en los controles manuales (ISO 5349-1)	m/s ²	<1,12m/s ²	<1,12m/s ²	<1,12m/s ²
Vibración en los controles manuales (ISO 5349-1) - Incertidumbre	m/s ²	0,11 m/s ²	0,11 m/s ²	0,11 m/s ²
Vibraciones en el asiento (EN 1032)	m/s ²	<0,35m/s ²	<0,35m/s ²	<0,35m/s ²
Vibración en el asiento (EN 1032) Incertidumbre	m/s ²	0,035m/s ²	0,035m/s ²	0,035m/s ²
Inclinación en transporte		16% (9°)	16% (9°)	16% (9°)
Inclinación en limpieza		10.5% (6°)	10.5% (6°)	10.5% (6°)
Longitud de la máquina	inch / cm	73.5 / 187		
Altura de la máquina	inch / cm	58.5 / 148.6		
Altura de la Máquina (c/ protección superior)	inch / cm	84 / 213		
Ancho de la máquina en rodillos - Cilíndrico	inch / cm	47.5 / 121	53.5 / 136	55.5 / 141
Ancho de la máquina en rodillos - Disco	inch / cm	42.5 / 108	51.5 / 131	52.5 / 133
Ancho de la máquina con escurridor	inch / cm	49 / 125 "F"	54 / 137 "G"	57 / 145 "H"
Amplitud mínima de giro	inch / cm	84 / 214		
Capacidad del depósito de solución	Galón / L	70 / 265		
Capacidad del depósito de recuperación	Galón / L	70 / 265		
Velocidad de Transporte (máximo hacia adelante)	mph / kph	6.0 / 9.5		
Velocidad de transporte (Máximo en reversa)	mph / kph	3.0 / 5.0		
Tamaño del compartimento de batería (aproximadamente)				
Altura (máximo)	inch / cm	19 / 48.2		
Ancho (máximo)	inch / cm	20 / 50.8		
Longitud (máximo)	inch / cm	31.75 / 80.6		
Tamaño del cepillo de fregado				
Diámetro del cepillo de fregado externo - Cilíndrico (el núcleo interno es de 5 in / 12.7 cm)	inch / cm	8.5 / 21.6		
Longitud del cepillo de fregado - Cilíndrico (dos cepillos por máquina)	inch / cm	38.37 / 97.4	43.6 / 110.8	46.6 / 118.4
Diámetro del cepillo - Disco	inch / cm	(Cantidad de 2) 20/50.8	(Cantidad de 3) 16/40,6	(Cantidad de 3) a 17/43
Velocidad del cepillo para fregar				
cilíndrico	RPM	630	630	630
Disco	RPM	240	225	225
Capacidad del Tolva - Cilíndrico	ft ³ / L	0.40 / 11	0.44 / 12.5	0.50 / 14
Ancho del recorrido de limpieza (recorrido de fregado)	inch / cm	40 / 101	45 / 114	48 / 122
Recorrido de barrido con escobas laterales - Cilíndrico	inch / cm	57 / 145		

*Peso bruto: Máquina estándar sin opciones, depósito de solución lleno y tanque de recuperación vacío, con cepillos desmontables y las baterías instaladas.

**Peso de transporte: Máquina estándar sin opciones, depósitos de solución y recuperación vacíos, con las baterías instaladas y sin operador.

ESPECIFICACIONES TÉCNICAS (SEGÚN LA INSTALACIÓN Y LAS PRUEBAS DE LA UNIDAD)

Modelo		SC6500 40C (EcoFlex)	SC6500 45C (EcoFlex)	SC6500 48C (EcoFlex)
		SC6500 40D (EcoFlex)	SC6500 45D (EcoFlex)	SC6500 48D (EcoFlex)
Nº de modelo		56414011	56414015	56414019
		56414013	56414017	56414021
Tensión, baterías	V	36V	36V	36V
Capacidad de la batería	Ah	450	450	450
Grado de protección		IPX3	IPX3	IPX3
Nivel de presión sonora - Cilíndrico IEC 60335-2-72: 2002, enmienda 1:2005, ISO 11201	dB(A)/20µPa	70	70	70
Nivel de presión sonora – KpA (IEC 60335-2-72, ISO 11201) - Incertidumbre	dB (A)	3.0	3.0	3.0
Nivel de presión sonora - Disco IEC 60335-2-72: 2002, enmienda 1:2005, ISO 11201	dB(A)/20µPa	70	70	70
Nivel de presión sonora – KpA (IEC 60335-2-72, ISO 11201) - Incertidumbre	dB (A)	3.0	3.0	3.0
Peso bruto* - Cilíndrico	lb./kg	3325 / 1508	3365 / 1526	3410 / 1547
Peso de transporte* - Cilíndrico	lb./kg	2897 / 1314	2937 / 1332	2982 / 1353
Peso bruto* - Disco	lb./kg	3220 / 1460	3270 / 1483	3320 / 1506
Peso de transporte* - Disco	lb./kg	2792 / 1266	2842 / 1289	2892 / 1312
Carga máxima en suelo de rueda (frontal central)	psi / kg/cm ²	116 / 8.15	116 / 8.15	116 / 8.15
Carga máxima en suelo de rueda (posterior derecha)	psi / kg/cm ²	81 / 5.69	81 / 5.69	81 / 5.69
Carga máxima en suelo de rueda (posterior izquierda)	psi / kg/cm ²	86 / 6.04	86 / 6.04	86 / 6.04
Vibraciones en los controles manuales (ISO 5349-1)	m/s ²	<1,12m/s ²	<1,12m/s ²	<1,12m/s ²
Vibración en los controles manuales (ISO 5349-1) - Incertidumbre	m/s ²	0,11 m/s ²	0,11 m/s ²	0,11 m/s ²
Vibraciones en el asiento (EN 1032)	m/s ²	<0,35m/s ²	<0,35m/s ²	<0,35m/s ²
Vibración en el asiento (EN 1032) Incertidumbre	m/s ²	0,035m/s ²	0,035m/s ²	0,035m/s ²
Inclinación en transporte		16% (9°)	16% (9°)	16% (9°)
Inclinación en limpieza		10.5% (6°)	10.5% (6°)	10.5% (6°)
Longitud de la máquina	inch / cm	73.5 / 187		
Altura de la máquina	inch / cm	58.5 / 148.6		
Altura de la Máquina (con protección superior)	inch / cm	84 / 213		
Ancho de la máquina en rodillos - Cilíndrico	inch / cm	47.5 / 121	53.5 / 136	55.5 / 141
Ancho de la máquina en rodillos - Disco	inch / cm	42.5 / 108	51.5 / 131	52.5 / 133
Ancho de la máquina con escurridor	inch / cm	49 / 125 "F"	54 / 137 "G"	57 / 145 "H"
Amplitud mínima de giro	inch / cm	84 / 214		
Capacidad del depósito de solución	Galón / L	70 / 265		
Capacidad del depósito de recuperación	Galón / L	70 / 265		
Velocidad de Transporte (máximo hacia adelante)	mph / kph	6.0 / 9.5		
Velocidad de transporte (Máximo en reversa)	mph / kph	3.0 / 5.0		
Tamaño del compartimento de batería (aproximadamente)				
Altura (máximo)	inch / cm	19 / 48.2		
Ancho (máximo)	inch / cm	20 / 50.8		
Longitud (máximo)	inch / cm	31.75 / 80.6		
Tamaño del cepillo de fregado				
Diámetro del cepillo de fregado externo - Cilíndrico (el núcleo interno es de 5 in / 12.7 cm)	inch / cm	8.5 / 21.6		
Longitud del cepillo de fregado - Cilíndrico (dos cepillos por máquina)	inch / cm	38.37 / 97.4	43.6 / 110.8	46.6 / 118.4
Diámetro del cepillo – Disco	inch / cm	(Cantidad de 2) 20/50.8	(Cantidad de 3) a 16/40.6	(Cantidad de 3) a 17/43
Velocidad del cepillo para fregar	Cilíndrico	RPM	630	630
	Disco	RPM	240	225
Capacidad del Tolva - Cilíndrico	ft ³ / L	0.40 / 11	0.44 / 12.5	0.50 / 14
Ancho del recorrido de limpieza (recorrido de fregado)	inch / cm	40 / 101	45 / 114	48 / 122
Recorrido de barrido con escobas laterales - Cilíndrico	inch / cm	57 / 145		

*Peso bruto: Máquina estándar sin opciones, depósito de solución lleno y tanque de recuperación vacío, con cepillos desmontables y las baterías instaladas.

**Peso de transporte: Máquina estándar sin opciones, depósitos de solución y recuperación vacíos, con las baterías instaladas y sin operador.

ÍNDICE

	página
Introdução.....	C-3
Precauções e avisos	C-4 – C-5
Conheça seu equipamento.....	C-6 – C-7
Painel de controle.....	C-8
Preparação da máquina para uso	
Instalação das baterias.....	C-9
Instalação das escovas	C-10 – C-11
Enchimento do tanque de solução	C-12
Instalação do rodo.....	C-13
Sistema detergente	C-14 – C-15
Operação do equipamento.....	C-16 – C-17
Lavagem.....	C-16 – C-17
Aspiração úmida.....	C-17
Depois do uso.....	C-18
Cronograma de manutenção.....	C-18
Lubrificação do equipamento	C-19
Carregar as baterias.....	C-20
Verificar o nível de água da bateria	C-20
Manutenção do rodo.....	C-21
Ajuste do rodo	C-21
Manutenção da aba lateral.....	C-22 – C-23
Manutenção da vassoura lateral	C-24
Detecção e solução de problemas	C-25 – C-26
Especificações técnicas	C-28 – C-29

⚠ CUIDADO!

- Tenha CUIDADO extremo quando operar este equipamento. Certifique-se que está totalmente familiarizado com todas as instruções de funcionamento antes de utilizar esta máquina. Caso tenha alguma dúvida, contate seu supervisor ou o revendedor industrial da Advance mais próximo.
- Se a máquina apresentar mal funcionamento, não tente consertar o problema, a menos que seu supervisor lhe oriente a fazê-lo. Procure um mecânico qualificado da empresa ou um técnico do revendedor autorizado da Advance para fazer os reparos necessários à máquina.
- Tenha extremo cuidado quando trabalhar neste equipamento. Roupas largas, cabelo comprido e jóias podem ficar presos nas peças em movimento. DESLIGUE a chave de contato e remova a chave antes de fazer qualquer manutenção no equipamento. Aplique o freio de mão antes de desembarcar da máquina. Utilize o bom senso comum, pratique bons hábitos de segurança e preste atenção nas etiquetas amarelas da máquina.
- Conduza a máquina devagar em declives. Use o pedal do freio **(6)** para controlar a velocidade da máquina nos declives. NÃO vire a máquina em um declive, conduza de forma retilínea para cima ou para baixo. A inclinação máxima para lavagem é de 10%. A inclinação calculada máxima durante o transporte é de 16%.

INTRODUÇÃO

Este manual o ajudará a obter o máximo da sua Advance Rider Scrubber. Leia cuidadosamente antes de usar o equipamento.

Nota: Os números em negrito entre parêntesis indicam um item ilustrado nas páginas C-6 – C-8.

Este produto destina-se apenas ao uso comercial.

PEÇAS E SERVIÇOS

Os reparos, quando necessários, devem ser realizados pelo Centro de Serviço Autorizado Advance, que emprega pessoal de manutenção treinado em fábrica e mantém um estoque de peças de reposição e acessórios originais da Advance.

Ligue para a DISTRIBUIDORA ADVANCE indicada abaixo para solicitar peças de reposição ou assistência técnica. Especifique o modelo e o número de série ao falar do seu equipamento.

MODIFICAÇÕES

As modificações e adições à máquina de limpeza que afetem a capacidade e operação de segurança não devem ser realizadas pelo cliente ou usuário sem a aprovação prévia da Nilfisk Inc. Modificações não aprovadas invalidarão a garantia da máquina e torna o cliente responsável por quaisquer acidentes resultantes.

PLACA DE IDENTIFICAÇÃO

O Número do modelo e número de série de sua máquina são mostrados na placa de identificação no equipamento. Estas informações são necessárias quando solicitar peças para a máquina. Use o espaço abaixo para anotar o modelo e número de série do seu equipamento para referência futura.

NÚMERO DO MODELO _____

NÚMERO DE SÉRIE _____

DESEMPACOTAMENTO DA MÁQUINA

Ao receber o equipamento, verifique cuidadosamente se embalagem e o equipamento apresentam alguns danos. Se afirmativo, guarde a embalagem de transporte (se aplicável) para que ela possa ser inspecionada. Contate o departamento de atendimento ao cliente Advance para registrar sua reclamação de danos durante o transporte. Consulte a folha de instruções de remoção da embalagem inclusa com o equipamento para removê-lo do pallet.

AVISO!

O produto vendido neste manual contém ou pode conter substâncias químicas tidas por certos governos (como no estado da Califórnia, conforme identificado por sua Proposta 65 da Regulatory Warning Law) por causar câncer, defeitos congênitos e outras doenças do sistema reprodutivo. Em certos locais (inclusive no estado da Califórnia), os compradores destes produtos que os colocam em uso em locais de trabalho ou espaços públicos são obrigados, por lei, a fazer certas notificações, avisos ou declarações sobre as substâncias químicas presentes ou que possam estar contidas nos produtos em tais locais ou redondezas. É de responsabilidade do comprador tomar conhecimento do conteúdo e cumprir com as leis e regulamentações aplicáveis ao uso destes produtos em tais ambientes. O fabricante renuncia toda e qualquer responsabilidade por alertar os compradores de qualquer requisito específico que possa ser aplicável ao uso dos produtos em tais ambientes.

TRANSPORTANDO A MÁQUINA

CUIDADO!

Antes de transportar a máquina em um caminhão ou vagão aberto, certifique-se de que. . .

- Todas as portas de acesso estejam bem trancadas
- A máquina esteja fixada com segurança - veja Ponto de Fixação (30).
- O freio de mão da máquina (6) esteja acionado.

PRECAUÇÕES E AVISOS

SÍMBOLOS

A Advance usa os símbolos abaixo para indicar condições potencialmente perigosas. Leia com cuidado estas informações e tome as devidas precauções para proteger pessoas e equipamento.

Esta máquina destina-se a uso comercial, em hotéis, escolas, hospitais, fábricas, lojas e escritórios, e não a uso doméstico normal.

PERIGO!

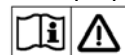
Usado para alertar quanto a perigos imediatos que poderão causar ferimentos pessoais graves ou morte.

ATENÇÃO!

Usado para chamar a atenção para uma situação que pode causar ferimentos pessoais graves.

CUIDADO!

Usado para chamar a atenção para uma situação que pode causar ferimentos pessoais ou danos ao equipamento ou outra propriedade.



Leia todas as instruções antes de usar.

INSTRUÇÕES GERAIS DE SEGURANÇA

Cuidados e Avisos específicos foram colocados para alertá-lo quanto ao perigo potencial de lesões pessoais ou danos ao equipamento.

ATENÇÃO!

- Esta máquina deve ser operada somente por pessoas capacitadas e autorizadas adequadamente.
- Esta máquina não deve ser utilizada por crianças ou por pessoas com diminuição das capacidades físicas, sensoriais ou mentais ou com falta de experiência e conhecimentos.
- Evite paragens repentinas em rampas ou em planos inclinados. Evite fazer viragens bruscas e apertadas. Utilize velocidades reduzidas em rampas.
- Faça com que faíscas, chamas e materiais que produzam fumaça fiquem longe das baterias. São liberados gases explosivos durante a operação normal.
- Carregar as baterias produz gás de hidrogênio altamente explosivo. Troque as baterias somente em áreas bem ventiladas, longe de chamas. Não fume enquanto carrega as baterias.
- Tire as joias e outros acessórios quando trabalhar perto de componentes elétricos.
- Desligue o interruptor (O) e desconecte as baterias antes de dar serviço aos componentes elétricos.
- Nunca trabalhe debaixo da máquina sem travas de segurança ou plataformas para suportar o equipamento.
- Não utilize agentes de limpeza inflamáveis, nem opere a máquina perto desses agentes, ou em áreas onde existam líquidos inflamáveis.
- Não lave à pressão o painel de controle do operador, painel de disjuntor ou as baterias.
- Use apenas as escovas fornecidas com o equipamento ou as especificadas no manual de instruções. O uso de outro tipo de escova pode afetar a segurança.
- Observe o peso bruto do veículo (GVW) da máquina quando estiver carregando, conduzindo, levantando ou suportando a máquina.

**CUIDADO!**

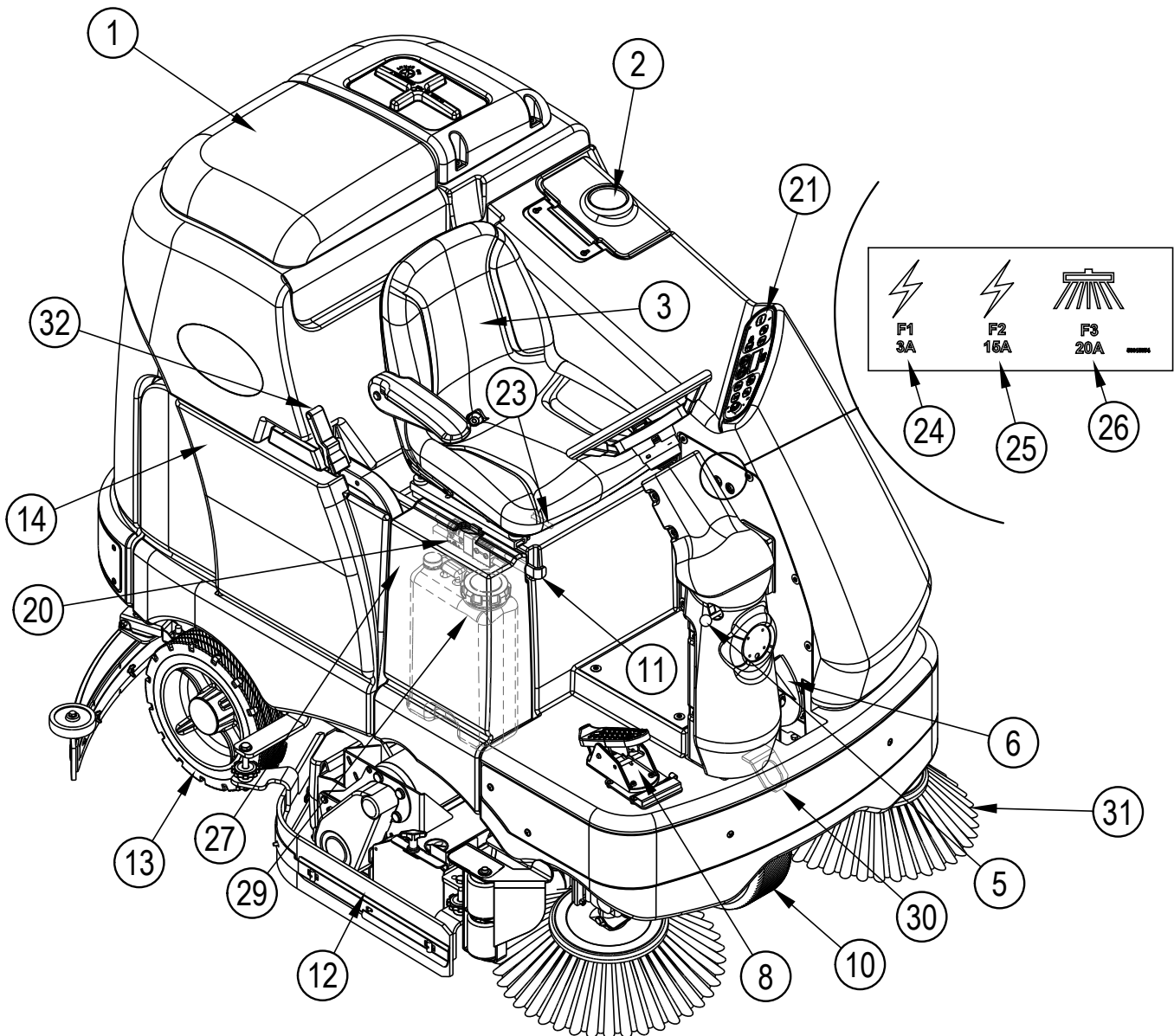
- Esta máquina não está aprovada para o uso em estradas ou caminhos públicos.
- Este equipamento não é adequado para a coleta de poeira potencialmente perigosa
- Não utilize discos escarificadores e pedras esmeriladoras. A Advance não tomará a responsabilidade por qualquer dano às superfícies do chão feito por escarificadores ou pedras esmeriladoras (pode causar dano também ao sistema de tração da escova).
- Ao operar a máquina, certifique-se de que terceiros partes, especialmente crianças, não corram riscos.
- Antes de executar qualquer função de serviço, leia com cuidado todas as instruções que pertencem a essa função.
- Não deixe o equipamento sozinho sem antes desligar a ignição (O), retirar a chave do contato e aplicar o freio de estacionamento.
- Desligue a ignição (O) e retire a chave antes de substituir as escovas ou antes de abrir qualquer painel de acesso.
- Tome precauções para evitar que cabelos, joias, ou roupas solas fiquem presas nas partes móveis.
- Tenha cuidado ao deslocar o equipamento em condições de temperatura negativa. A água nos tanques de solução, recuperação ou detergente nas linhas de mangueira pode congelar, causando danos às válvulas e conexões. Lave com fluido próprio para o lavador do para-brisa.
- As baterias devem ser retiradas da máquina antes de que a máquina seja inutilizada. A eliminação das baterias deve ser executada em segurança, em cumprimento das regulações ambientais locais.
- Não use em superfícies com gradientes superiores àqueles marcados no equipamento.
- Todas as portas e tampas devem estar posicionadas conforme indicado no manual de instruções antes de usar o equipamento.

GUARDE ESTAS INSTRUÇÕES

CONHEÇA SEU EQUIPAMENTO

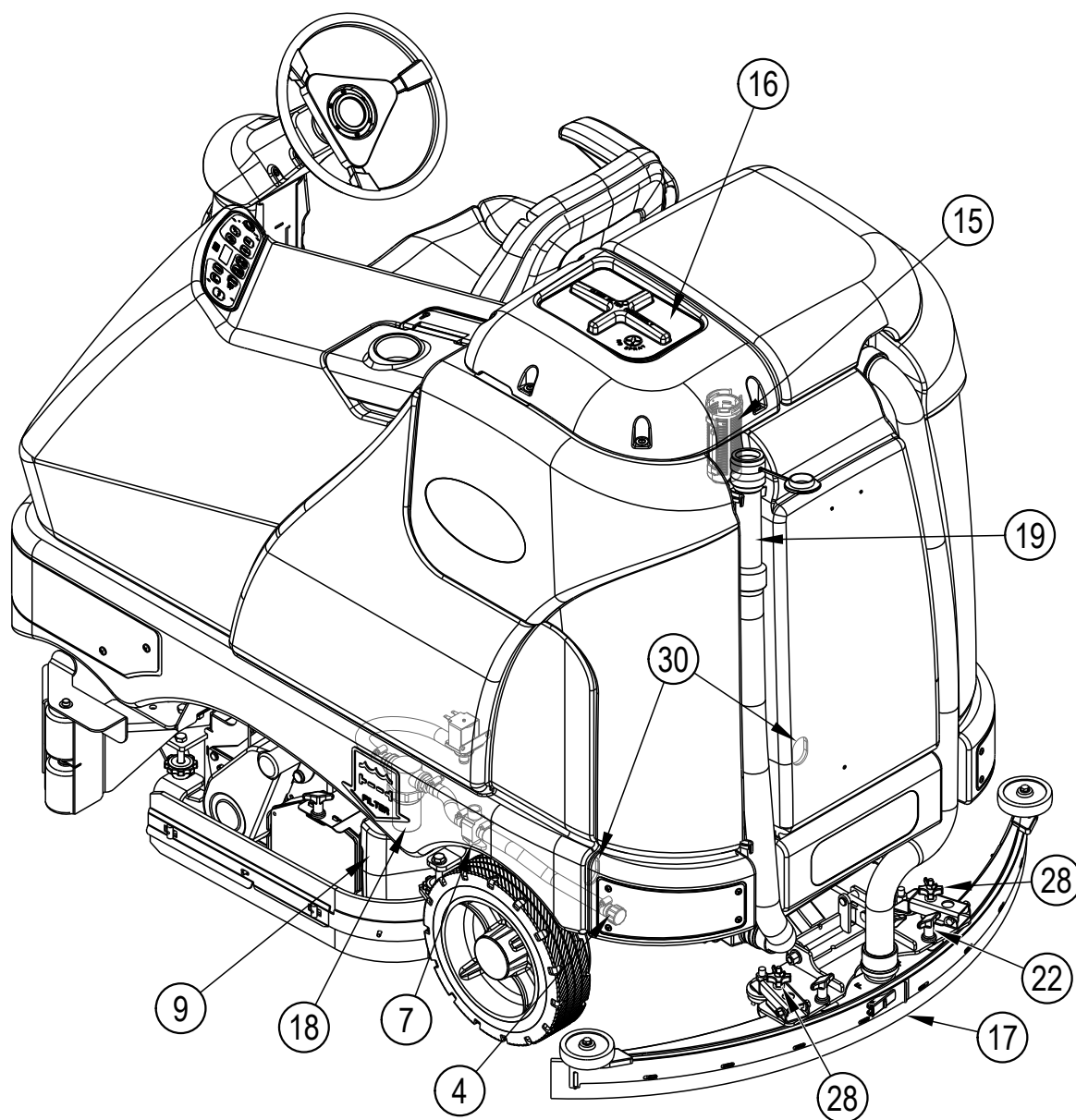
Conforme lê este manual, ocasionalmente, você irá se deparar com um número em negrito ou letras em parênteses - por exemplo: **(2)**. Esses números referem-se a um item exibido nestas páginas, a menos que indicado de outra forma. Consulte essas páginas sempre que necessário para determinar a localização de um item mencionado no texto. **NOTA:** Consulte o manual de serviços para conhecer explicações detalhadas de cada item ilustrado nas seguintes 3 páginas.

- | | | | |
|----|---|----|---|
| 1 | Tampa do tanque de recuperação | 23 | Alavanca de ajuste do assento do operador |
| 2 | Tampa do orifício de abastecimento do tanque de solução | 24 | Disjuntor do motor de tração da roda |
| 3 | Assento do operador | 25 | Disjuntor auxiliar |
| 5 | Botão de ajuste da inclinação do volante | 26 | Disjuntor do motor da vassoura lateral |
| 6 | Freio de Estacionamento | 27 | Painel de acesso lateral |
| 8 | Pedal de acionamento, Direcional/Velocidade | 29 | Cartucho de detergente (apenas modelos EcoFlex) |
| 10 | Motor e Volante | 30 | Localizações de trava |
| 11 | Interruptor de parada de emergência / Desconexão da bateria | 31 | Vassouras laterais (somente em alguns modelos) |
| 12 | Plataforma de lavagem | 32 | Trava do tanque de recuperação |
| 13 | Roda traseira | | |
| 14 | Compartimento da bateria (abaixo do tanque de recuperação) | | |
| 20 | Conector da bateria da máquina | | |
| 21 | Painel de controle | | |



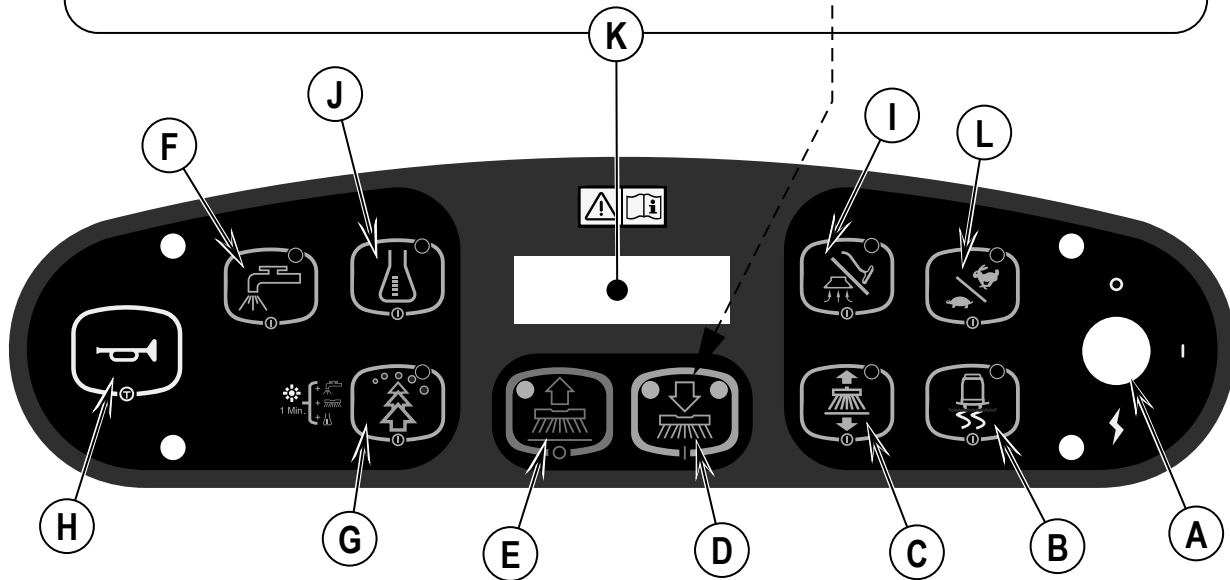
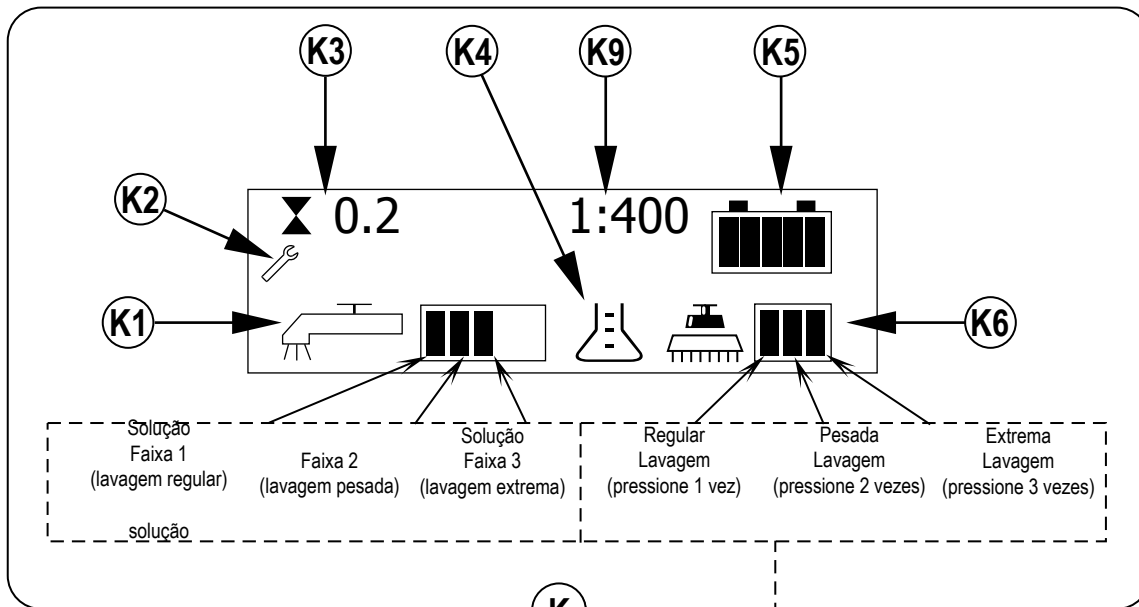
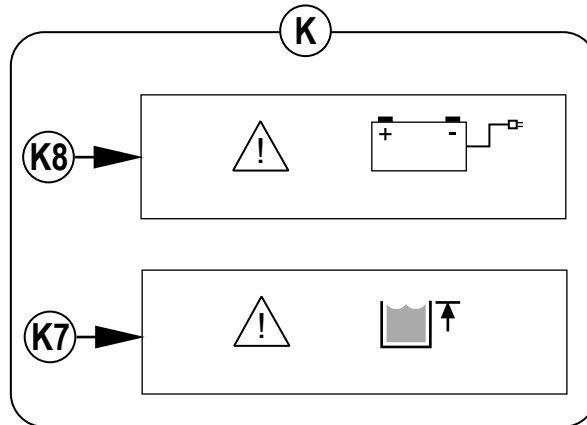
CONHEÇA SUA MÁQUINA

- 4 Mangueira de drenagem do tanque de solução
- 7 Válvula de corte de solução
- 9 Recipiente (apenas modelos cilíndricos)
- 15 Dispositivo de desativação da bóia do tanque de recuperação
- 16 Compartimento do filtro do motor de aspiração
- 17 Conjunto do rodo
- 18 Filtro de solução
- 19 Mangueira de drenagem do tanque de recuperação
- 22 Botão de ajuste da inclinação do rodo
- 28 Botão de ajuste da altura do rodo
- 30 Localizações de trava



PAINEL DE CONTROLE

- A Chave de contato
- B Chave de controle de tração
- C Chave da vassoura lateral (apenas modelos cilíndricos)
- D Lavagem ON (Ligada) / Seleção do modo de lavagem
- E Lavagem OFF (Desligada)
- F Chave de solução
- G Botão de explosão de potência
- H Buzina
- I Chave de aspiração/vareta
- J Sistema de detergente (apenas modelos EcoFlex)
- K Visor
- K1 Indicador de vazão da solução
- K2 Indicador de erro
- K3 Horímetro
- K4 Indicador de detergente (se equipado)
- K5 Indicador de bateria
- K6 Indicador de pressão de lavagem
- K7 Indicador de tanque de recuperação CHEIO
- K8 Indicador de bateria fraca
- K9 Indicador de proporção de detergente
- L Chave de velocidade de lavagem



INSTALAÇÃO DAS BATERIAS

⚠ ATENÇÃO!

Tenha muito cuidado ao trabalhar com as baterias. O ácido sulfúrico presente na bateria pode causar lesões graves se em contato com a pele ou olhos. As baterias exalam gás de hidrogênio explosivo através das aberturas nas tampas de bateria. Este gás pode ser incendiado por arcos elétricos, faíscas ou chamas. Não instale baterias de chumbo ácido em um recipiente ou compartimento vedado. Gás de hidrogênio proveniente da sobrecarga poderia escapar.

Ao fazer a manutenção das baterias...

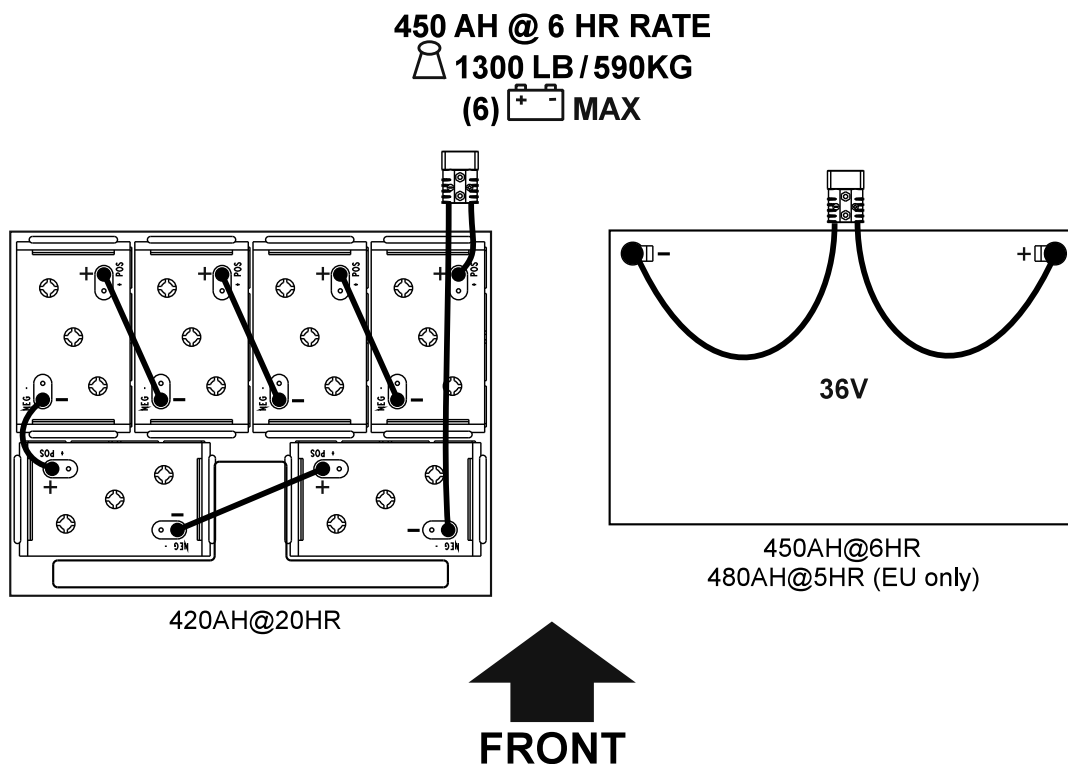
- * Remova todas as joias
- * Não fume
- * Use óculos de segurança, luvas e avental de borracha
- * Trabalhe em uma área bem ventilada
- * Não deixe que as ferramentas encostem em mais de um terminal de bateria de cada vez
- * Antes de trocar as baterias, SEMPRE desligue o cabo negativo (terra) primeiro para evitar faíscas.
- * SEMPRE ligue o cabo negativo por último ao instalar as baterias.

⚠ CUIDADO!

Os componentes elétricos nesta máquina podem ser seriamente danificados se as baterias não são instaladas e conectadas apropriadamente. As baterias devem ser instaladas pela Advance ou por um electricista qualificado.

- 1 Remova as baterias da caixa de transporte e inspecione-as corretamente em busca de rachaduras ou outros danos. Se o dano for aparente, contate a transportadora que entregou as baterias ou o fabricante para fazer uma reclamação.
- 2 Gire a chave mestra na posição **(A)** OFF (desligar) e remova-a.
- 3 Remova o tanque de recuperação da máquina. **NOTA:** Desconecte o cabo e a fiação do motor de aspiração e levante o tanque para cima e para fora da máquina.
- 4 Seu equipamento vem de fábrica com cabos de bateria suficientes para instalar seis baterias de 6 volts. Usando ao menos (2) pessoas e uma tira de içamento adequada, cuidadosamente levante as baterias no compartimento da bateria e organize-as exatamente como mostrado na **FIGURA 1**. Prenda as baterias o mais próximo possível da dianteira do equipamento. Se estiver instalando uma bateria monobloco use um elevador.
- 5 Instale os cabos de bateria como mostrado. Posicione os cabos de forma que as tampas das baterias possam ser facilmente removidas para manutenção.
- 6 Aperte cuidadosamente a porca em cada terminal de bateria até não girar mais. Não aperte demais os terminais, ou eles podem ser difíceis de remover em manutenções futuras.
- 7 Aplique nos terminais o spray de revestimento de terminal de bateria (disponível em lojas de peças e acessórios para carros).
- 8 Coloque uma das proteções de borracha preta sobre cada um dos terminais e instale o conector do pacote de bateria **(20)**.

FIGURA 1



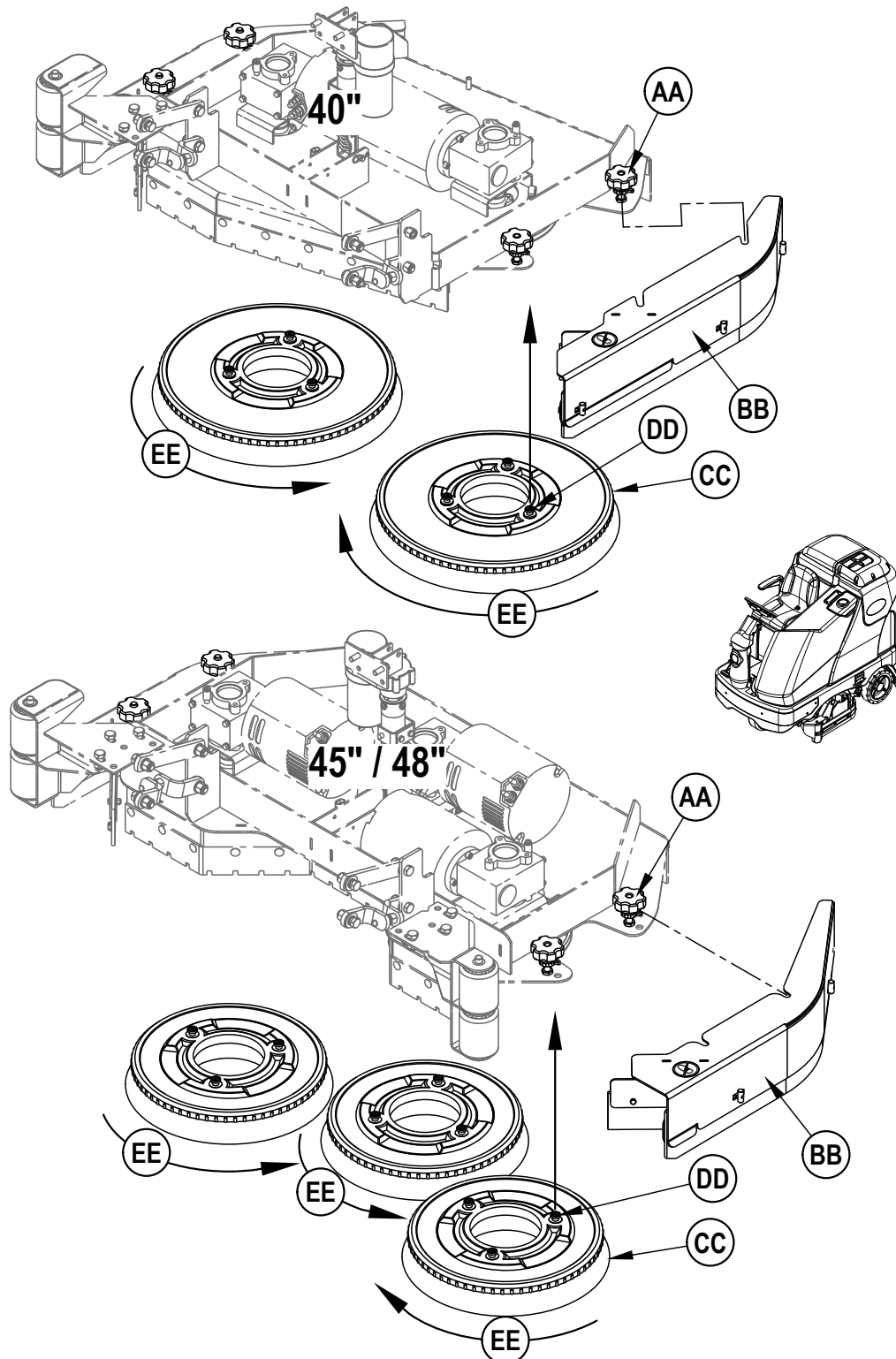
INSTALAÇÃO DAS ESCOVAS (SISTEMA DE DISCO)

⚠ CUIDADO!

Desligue a ignição (O) e retire a chave antes de trocar escovas e antes de abrir qualquer painel de acesso.

- 1 Verifique para que a plataforma de Lavagem esteja na posição ELEVADA. Certifique-se de que a chave de contato (A) está na posição desligada (O).
- 2 Ver Figura 2. Remova ambos conjuntos de abas laterais. **NOTA:** As abas são mantidas no lugar por dois botões grandes (AA). Solte estes botões e deslize os Conjuntos de abas (BB) para fora da Plataforma de Lavagem.
- 3 Para montar as escovas (CC) ou suportes de apoio, alinhe os olhais (DD) a escova com os orifícios na placa de montagem e gire para travar no lugar (gire a borda externa da escova em direção à traseira do equipamento, como mostrado em (EE)).

FIGURA 2



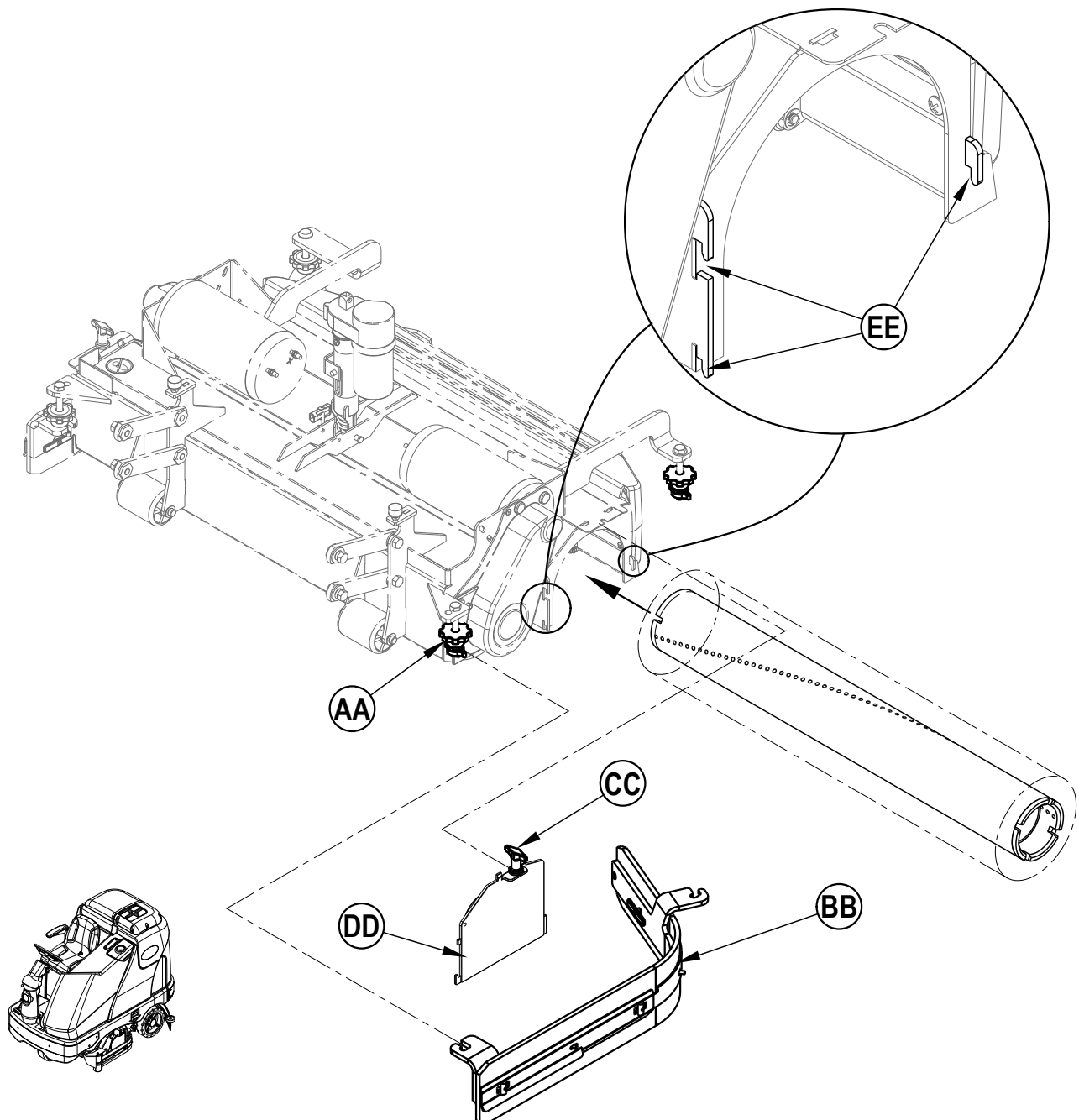
INSTALAÇÃO DAS ESCOVAS (SISTEMA CILÍNDRICO)

⚠ CUIDADO!

Desligue a ignição (O) e retire a chave antes de trocar escovas e antes de abrir qualquer painel de acesso.

- 1 Verifique para que a plataforma de Lavagem esteja na posição ELEVADA. Certifique-se de que a chave de contato (A) está na posição desligada (O).
- 2 Ver Figura 3. Remova ambos conjuntos de abas laterais. **NOTA:** As abas são mantidas no lugar por dois botões grandes (AA). Solte estes botões, deslize os Conjuntos de abas (BB) para fora da Plataforma de Lavagem.
- 3 Solte os botões pretos (CC) no topo dos Conjuntos de roda livre (DD) até que eles caiam longe o suficiente para desengatar das travas (EE) e remova-os.
- 4 Deslize a escova para dentro do compartimento, empurre-a e gire até assentar. Re instale os Conjuntos de roda livre (DD) e Conjuntos de abas (BB).

FIGURA 3



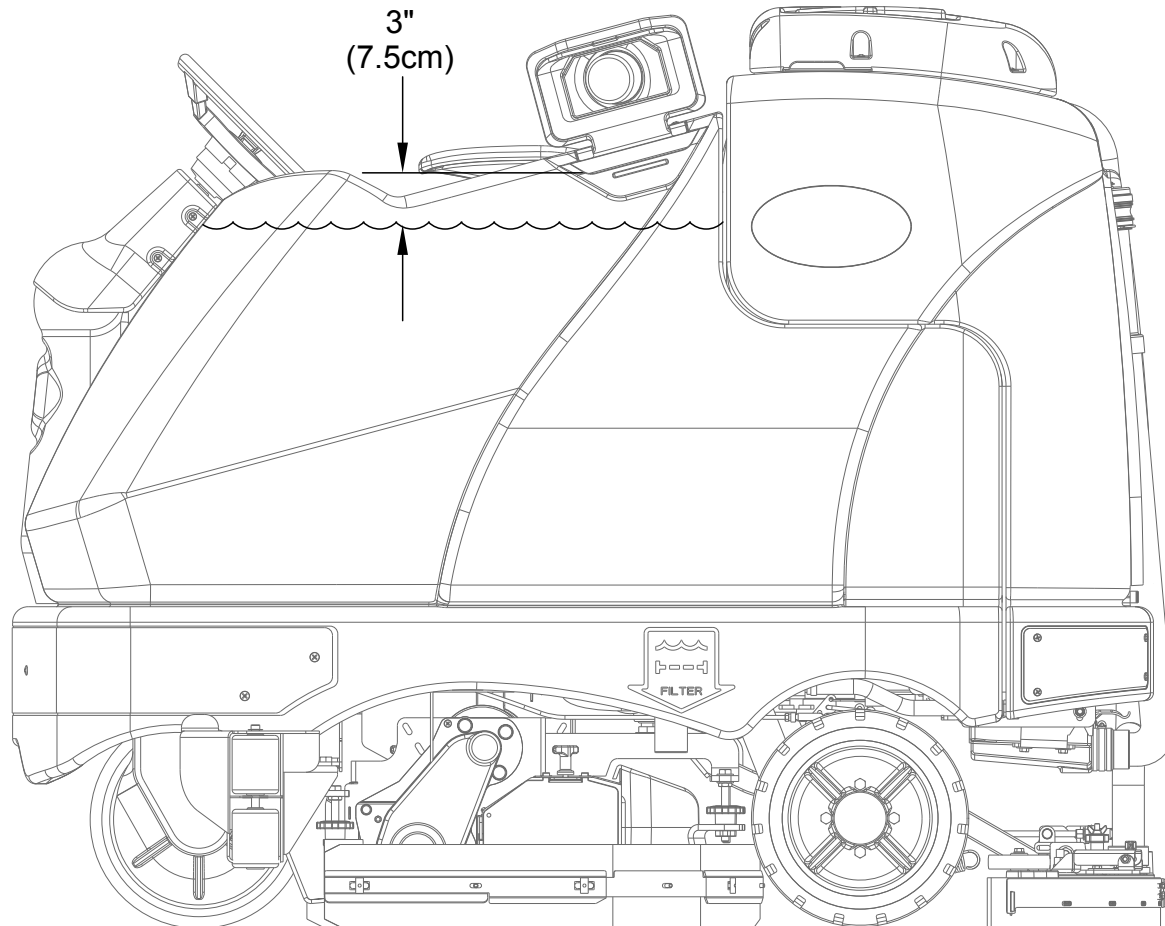
ENCHIMENTO DO TANQUE DE SOLUÇÃO

Ver Figura 4. Abasteça o tanque de solução no máximo 70 galões (264 litros) de detergente. Não encha o tanque de solução acima de 7,5 cm (3 polegadas) do fundo do enchimento de solução (2). A solução deve ser uma mistura de água e agentes químicos de limpeza adequados para o trabalho. Sempre siga as instruções de diluição contidas no rótulo do recipiente do agente químico. **NOTA:** Os equipamentos EcoFlex podem ser usados convencionalmente com o detergente misturado no tanque ou com o sistema de distribuição de detergente. Ao usar o sistema de distribuição de detergente, não misture detergente no tanque; em vez disso, use apenas água.

⚠ CUIDADO!

Use apenas detergentes líquidos não inflamáveis e com baixa formação de espuma, destinados à aplicação do equipamento. A temperatura da água não deve exceder 130 graus Fahrenheit (54,4 graus Celsius)

FIGURA 4

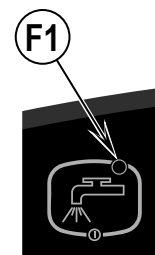


INDICADOR DO SISTEMA DE SOLUÇÃO (F1):

Ver Figura 4.1.

- O indicador acenderá quando o sistema de solução for ativado e/ou ligado.
- O indicador apagará quando o sistema de solução for desligado.
- O indicador piscará quando o interruptor de bóia do tanque da solução (nível líquido) notar um nível baixo de solução.

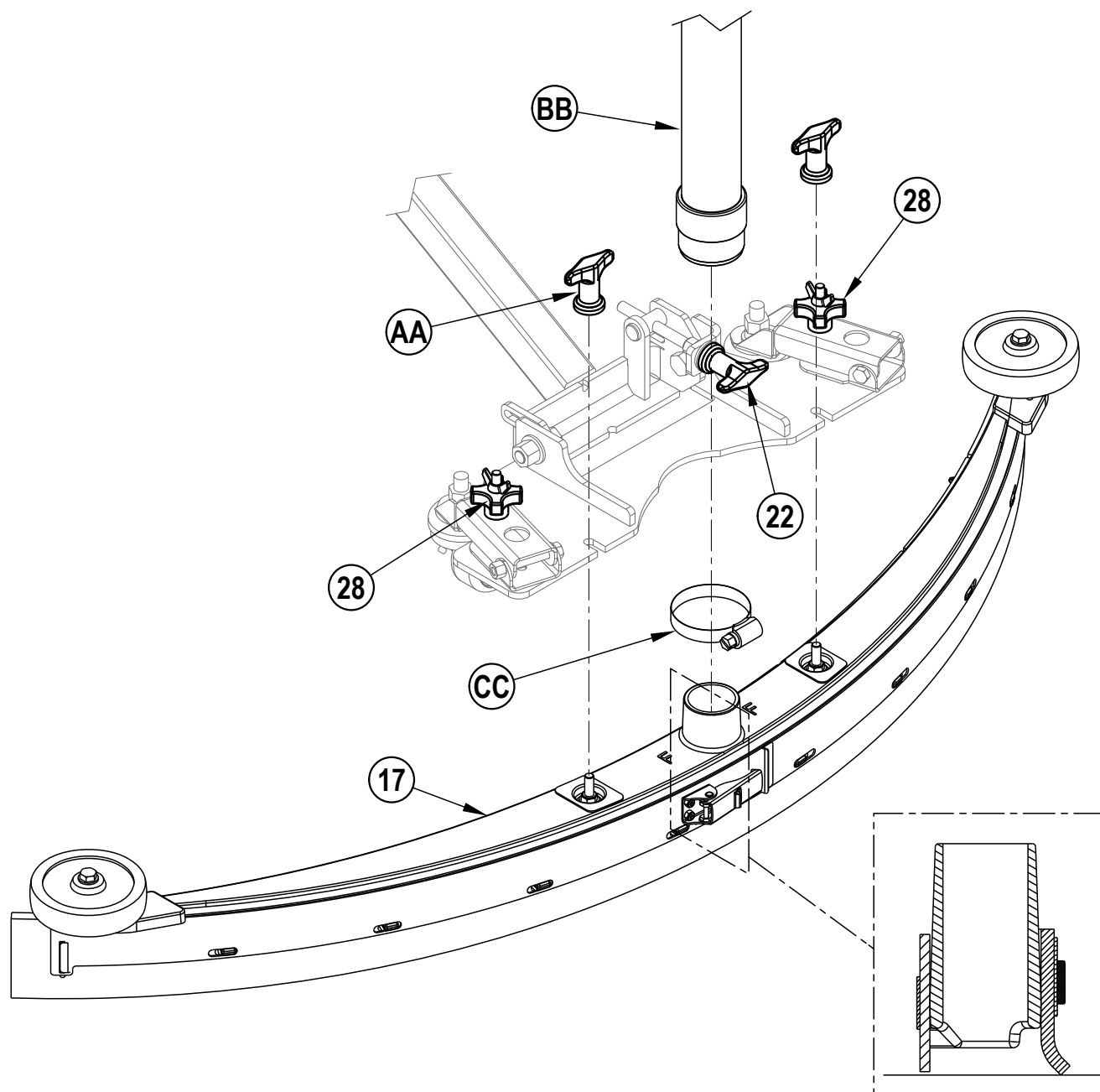
FIGURA 4.1



INSTALAÇÃO DO RODO

- 1 **Veja a figura 5.** Deslize o conjunto do rodo (17) sobre o suporte de montagem e aperte as porcas de aperto manual de montagem do rodo (AA).
- 2 Conecte a Mangueira de recuperação (BB) na entrada do rodo usando o Grampo de mangueira (CC).
- 3 Siga os passos na seção "Ajuste do rodo" para ajustar adequadamente a altura e o ângulo do rodo.

FIGURA 5



USO E PREPARAÇÃO DO SISTEMA DO DETERGENTE (APENAS MODELOS ECOFLEX)

O Cartucho de Detergente **(29)** está localizado atrás do Painel de Acesso Lateral **(27)**. Abasteça o cartucho de detergente com no máximo 2,2 galões (8,32 litros) de detergente. **NOTA DE MANUTENÇÃO:** Remova o cartucho de detergente da caixa de detergente antes de abastecê-lo para evitar derramar detergente sobre o equipamento.

Recomenda-se utilizar um cartucho individual para cada detergente que pretende usar. O cartucho de detergente tem um decalque branco, sendo assim, é possível escrever o nome de cada detergente em seus respectivos cartuchos para evitar misturá-los. O sistema precisa ser depurado do detergente anterior ao mudar para um detergente diferente. Ao instalar um novo cartucho, remova a tampa **(AA)** e coloque o cartucho na caixa de detergente. Instale a tampa Dry Break **(BB)** e a mangueira de detergente, como mostrado.

O sistema precisa ser depurado do detergente anterior ao mudar para um detergente diferente. **NOTA DE MANUTENÇÃO:** Mova o equipamento sobre o ralo do piso antes de limpar, uma vez que o processo expele uma pequena quantidade de detergente.

Para purgar quando trocar os detergentes (OS SISTEMAS DE SOLUÇÃO E ESCOVAÇÃO DEVEM ESTAR DESLIGADOS):

- 1 Desconecte e remova o cartucho de detergente.
- 2 Ligue a chave de contato **(A)**. Pressione e segure a chave de solução **(F)** e a chave de detergente **(J)** por 3 segundos. Solte as chaves quando o ícone de purga do detergente **(K10)** aparecer na tela e o indicador da chave de detergente **(J1)** começar a piscar. **NOTA:** Uma vez ativado, o processo de limpeza leva 10 segundos. Veja a ilustração na próxima página para os indicadores do sistema de detergente. Em geral, um ciclo de limpeza é adequado para limpar o sistema.

Para purgar semanalmente (OS SISTEMAS DE SOLUÇÃO E ESCOVAÇÃO DEVEM ESTAR DESLIGADOS):

- 1 Desconecte e remova o cartucho de detergente. Instale e conecte um cartucho abastecido com água limpa
- 2 Ligue a chave de contato **(A)**. Pressione e segure a chave de solução **(F)** e a chave de detergente **(J)** por 3 segundos. Solte as chaves quando o ícone de purga do detergente **(K10)** aparecer na tela e o indicador da chave de detergente **(J1)** começar a piscar. **NOTA:** Uma vez ativado, o processo de limpeza leva 10 segundos. Veja a ilustração na próxima página para os indicadores do sistema de detergente. Em geral, um ciclo de limpeza é adequado para limpar o sistema.

Quando o nível de detergente estiver aproximando-se do fundo do cartucho, é hora de reabastecer ou substituir o cartucho.

NOTA DE MANUTENÇÃO: Siga as instruções "Para purgar semanalmente" acima se a máquina for armazenada por um longo período de tempo ou se você quiser parar o uso do sistema de detergente.

Proporção de detergente (O SISTEMA DE ESCOVAÇÃO DEVE ESTAR LIGADO):

Não é dispensado detergente até que os sistemas de escovação e detergente forem ativados e o acelerador **(8)** for acionado.

- O ícone de detergente **(K4)** será sempre mostrado quando o sistema de detergente estiver ligado.

Há 4 modos de operação EcoFlex:

1. *Modo de limpeza com água pura* - Durante a escovação, o sistema de detergente pode ser desligado a qualquer momento pressionando o botão Liga/Desliga (ON/OFF) detergente **(J)** para possibilitar a escovação só com água. O indicador do detergente **(J1)** estará APAGADO.
2. *Modo detergente de concentração mínima* - Indicador de explosão de energia **(G1)** LIGADO (Ativado momentaneamente pressionando o botão Explosão de Energia **(G)** quando estiver no modo *detergente de concentração máxima*). Veja abaixo os passos "Para programar o nível de detergente de concentração mínima".
3. *Modo detergente de concentração máxima* - Indicador de Explosão de Energia **(G1)** DESLIGANDO (Ativado pressionando e segurando o botão Explosão de Energia **(G)** por dois segundos). Veja abaixo os passos "Para programar o nível de detergente de concentração mínima". Não use um nível de concentração que ultrapasse a recomendação do fabricante do detergente.
4. *Modo explosão de energia* - Pressione o botão Explosão de Energia **(G)** para aumentar a proporção de detergente para um minuto até o nível de "concentração máximo" de detergente pré-programado (conforme observado nas instruções de programação abaixo). Isto também fará a taxa de fluxo aumentar até o próximo nível e a pressão da escova aumentar até o próximo nível. O Indicador de explosão de energia **(G1)** vai piscar por um minuto.

Para programar o nível de detergente de concentração máxima

1. Pressione o botão de lavagem OneTouch™ **(D)** para ativar o sistema de lavagem.
2. Pressione e segure o botão Explosão de energia **(G)** por aproximadamente 2 segundos até que o indicador **(G1)** se APAGUE (modo detergente de concentração máxima).
3. Pressione e segure o botão do detergente por aproximadamente 2 segundos até o indicador **(J1)** piscar.
4. Enquanto o indicador estiver piscando, pressionar e liberar o botão de detergente vai trabalhar em ciclos nas proporções disponíveis (400:1, 300:1, 256:1, 200:1, 150:1, 128:1, 100:1, 64:1, 50:1, 32:1).
5. Assim que a proporção desejada for exibida na tela **(K9)**, pare e ela será fixada após 3 segundos.
6. Sempre que a configuração de detergente de máxima concentração estiver definido para uma concentração mais baixa do que a configuração actual, a configuração padrão de mínima concentração será igual à configuração de máxima concentração até ser alterada pelo operador.

Para programar o nível de detergente de concentração mínima

1. Pressione o botão de lavagem OneTouch™ **(D)** para ativar o sistema de lavagem.
2. Certifique-se que o indicador de explosão de energia **(G1)** esteja LIGADO/ON (modo detergente de concentração mínima).
3. Pressione e segure o botão do detergente por aproximadamente 2 segundos até o indicador **(J1)** piscar.
4. Enquanto o indicador estiver piscando, pressionar e soltar o botão de detergente trabalhará em ciclos nas proporções disponíveis. (Nota: somente proporções que são uma concentração maior ou igual à configuração de detergente mínima estarão disponíveis).
5. Assim que a proporção desejada for exibida na tela **(K9)**, pare e ela será fixada após 3 segundos.

Uma vez definida, a proporção do fluxo de detergente aumenta e diminui automaticamente com a taxa de fluxo de solução, mas a proporção de detergente permanece a mesma.

USO E PREPARAÇÃO DO SISTEMA DO DETERGENTE (APENAS MODELOS ECOFLEX)

FIGURA 6

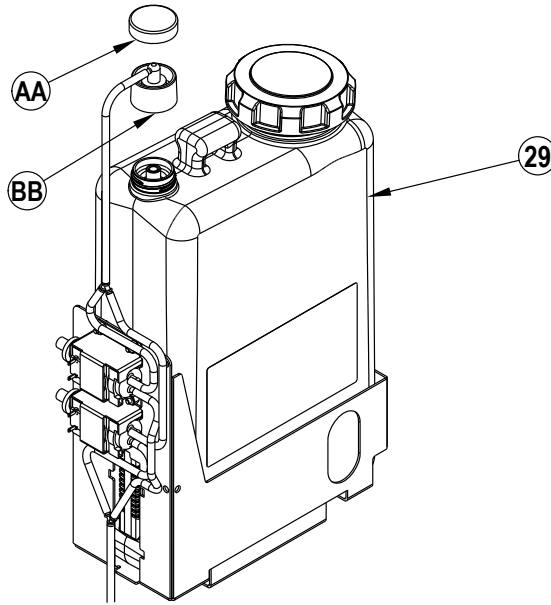
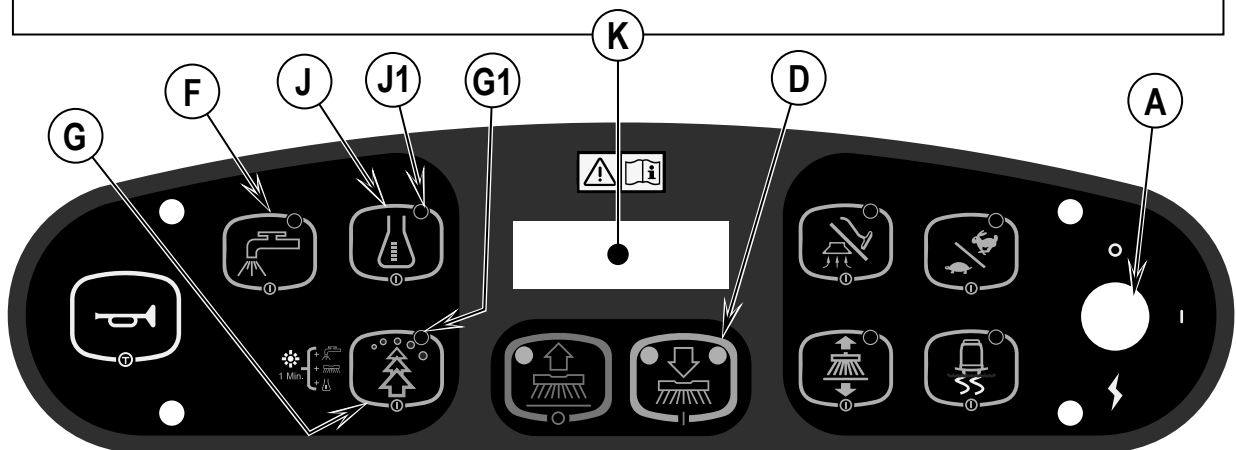


FIGURA 7

<p>0.2 (K10)</p>	<p>Depuração Pressione (J) e (F) por 3 segundos para purgar.</p>
<p>0.2 (K9) 1:400 (K4)</p>	<p>Modo detergente de concentração Mínima</p>
<p>0.2 1:200</p>	<p>Modo detergente de Concentração máxima</p>



OPERAR A MÁQUINA

AVISO!

Certifique-se de entender os controles do operador e suas funções.

Evite freadas bruscas em rampas ou subidas quando estiver carregado. Evite curvas fechadas. Use baixa velocidade em declives.

Para limpar...

Siga as instruções dadas na seção "Preparação do equipamento para uso" deste manual.

- 1 **Veja a figura 8.** Ao sentar no equipamento, ajuste o assento e o volante para uma posição de operação confortável usando os controles de ajuste **(23)** e **(5)**.
- 2 Ligue a chave mestra **(A)** ON (Ligado) (I). Isto vai exibir as luzes indicadoras do painel de controle. Consulte o Indicador de condição de bateria **(K5)** e o hodômetro **(K3)** antes de prosseguir.
- 3 Libere o freio de estacionamento **(6)**. Para transportar a máquina até a área de trabalho, aplique uma pressão com seu pé na frente do pedal de acionamento **(8)** para avançar ou a parte traseira do pedal para retroceder. Varie a pressão sobre o pedal do pé para obter a velocidade desejada.
- 4 Pressione e segure a chave de solução **(F)** por 5 segundos para umedecer o piso. **NOTA:** Isto ajudará a evitar deixar marcas na superfície do piso ao iniciar a lavagem com as vassouras secas. Isso deve ser feito antes de pressionar a chave Lavagem LIGADA **(D)**.
- 5 Pressione a Chave de Lavagem ON (Ligada) **(D)** uma vez para lavagem regular, duas vezes para lavagem pesada ou três vezes para lavagem extrema. Tanto o fluxo de solução como o detergente (modelos EcoFlex) possuem 3 predefinições que coincidem com os 3 modos de lavagem (veja Painel de controle).
NOTA: Existe uma função para anular a taxa de fluxo de solução se você desejar aumentar o fluxo de solução sem aumentar a pressão de lavagem. Segure a chave de solução **(F)** por 3 segundos (o indicador de solução começará a piscar) e depois solte. Você tem então 3 segundos para definir uma taxa de fluxo diferente pressionando a Chave de solução **(F)** repetidamente até que o Indicador de fluxo de solução **(K1)** mostre a faixa desejada (1-5 / veja Painel de controle). Quaisquer ajustes de pressão de lavagem subsequentes irão redefinir a faixa de fluxo de solução para padrão.
- 6 Quando a Chave LIGA de lavagem **(D)** é selecionada, as escovas, rodo e vassouras laterais (modelos cilíndricos) são automaticamente abaixadas para o chão. Os sistemas de lavagem, solução, aspiração, detergente (Modelos EcoFlex) e vassouras laterais (modelos cilíndricos) todos iniciam quando o Pedal de acionamento **(8)** é ativado. Qualquer sistema individual pode ser desativado e reativado com a pressão de sua chave correspondente a qualquer momento durante a lavagem.
NOTA: Ao operar a máquina ao contrário o rodo levanta automaticamente.
- 7 Comece a lavagem dirigindo a máquina para frente em uma linha reta em uma velocidade de caminhada normal e sobrepondo cada caminho a 2-3 polegadas (50-75 mm). Ajuste a velocidade da máquina e o fluxo de solução quando necessário de acordo com a condição do piso.
NOTA: A velocidade máxima de lavagem pode ser aumentada pressionando a Chave de velocidade de lavagem **(L)**. A velocidade máxima de lavagem padrão é menor que a velocidade máxima de transporte. Pressionar esta chave anula o padrão e possibilita a lavagem na velocidade máxima de transporte. Caso esteja lavando uma superfície de piso lisa ou seja a segunda lavagem girando o botão de Controle de tração **(B)** pode-se regular o torque das rodas de tração fornecendo um controle maior e tração melhorada ao chão.
A altura da vassoura lateral pode ser ajustada. Veja a seção de "Manutenção da vassoura lateral" deste manual.

CUIDADO!

Para evitar danificar o piso, mantenha o equipamento em movimento enquanto as escovas estão girando.

- 8 Durante a lavagem, verifique ocasionalmente a parte traseira do equipamento para ver se a água residual está sendo coletada. Se houver um rastro de água atrás do equipamento, talvez você esteja aplicando muita solução, o tanque de recuperação pode estar cheio ou o instrumento de rodo precisa ser ajustado.
- 9 A máquina passa para o último modo de limpeza usado Detergente de concentração mínima ou máxima (se o detergente estiver instalado e ativado). Pressione o botão Explosão de energia **(G)** para anular o modo de limpeza atual e aumentar temporariamente a pressão da escovação, fluxo de solução e a proporção de detergente (a menos que esteja na Concentração Máxima). Isto fará o indicador piscar por 1 minuto, a taxa de fluxo da solução aumentar para o próximo nível, a pressão da escovação aumentar para o próximo nível e a proporção do detergente ficará no nível de concentração máximo (o sistema de detergente será ligado caso estivesse desligado).
NOTA: Pressionar e segurar o botão Explosão de Energia **(G)** por 2 segundos, alterna entre os modos de operação Concentração Mínima e Máxima. O sistema EcoFlex só funcionará se o sistema de escovação **(D)** estiver ativado.
- 10 Para pisos extremamente sujos, talvez uma única operação de lavagem não seja satisfatória, exigindo então uma operação de lavagem dupla. Esta operação é a mesma como a lavagem única exceto que a primeira passa o rodo está na posição para cima (pressione a chave aspiração/vareta **(I)** para levantar o rodo). Isso permite que a solução de limpeza atue por mais tempo sobre o piso. A passagem final é feita sobre a mesma área, com o rodo abaixado para coletar a solução acumulada.
- 11 O tanque de recuperação conta com um flutuador de corte **(15)** que faz com que TODOS os sistemas sejam DESATIVADOS quando o tanque de recuperação está cheio. Quando esta bóia está ativada, o tanque de recuperação precisa ser esvaziado. O equipamento não coletará água ou lixo com o flutuador ativado.
NOTA: Todos os demais indicadores desaparecem e o indicador "Recovery Tank FULL" (tanque de recuperação cheio) **(K7)** aparece no painel do visor quando o flutuador é ativado. Se o controle indica repetidamente que o tanque está cheio quando não está, o recurso de desligamento automático pode ser desativado, peça para que um técnico de manutenção qualificado consulte o manual de serviços para realizar esta função.
- 12 Quando o operador desejar parar a lavagem ou o tanque de recuperação estiver cheio, pressione a Chave DESLIGA lavagem **(E)** uma vez. Isto para automaticamente as escovas de lavagem e a vazão de solução e a plataforma de lavagem sobem. O rodo levantará após um breve período de tempo e a aspiração parará após um breve atraso (isto para permitir qualquer água remanescente ser recolhida sem ter que ligar a aspiração novamente).
- 13 Leve a máquina para um "LOCAL DE DESPEJO" de água suja e esvazie o tanque de recuperação. Para esvaziar, puxe a mangueira de drenagem **(19)** de sua área de armazenagem traseira e depois remova o plug (segure a ponta da mangueira acima do nível da água no tanque para evitar um esguicho de água residual). Reabasteça o tanque de solução e continue a lavar.

NOTA: Certifique-se de que a tampa do tanque de recuperação **(1)** e a tampa da mangueira de drenagem do tanque de recuperação **(19)** estejam devidamente vedadas ou o equipamento não coletará a água corretamente.

Quando as baterias requerem recarga o Indicador Battery LOW (bateria fraca) **(K8)** se acende, as escovas de lavagem e a vazão de solução param e a plataforma de lavagem é erguida. O rodo subirá após um breve intervalo de tempo e a aspiração parará após um breve atraso. Transporte o equipamento para uma área de serviço e recarregue as baterias de acordo com as instruções dadas na seção Bateria deste manual.

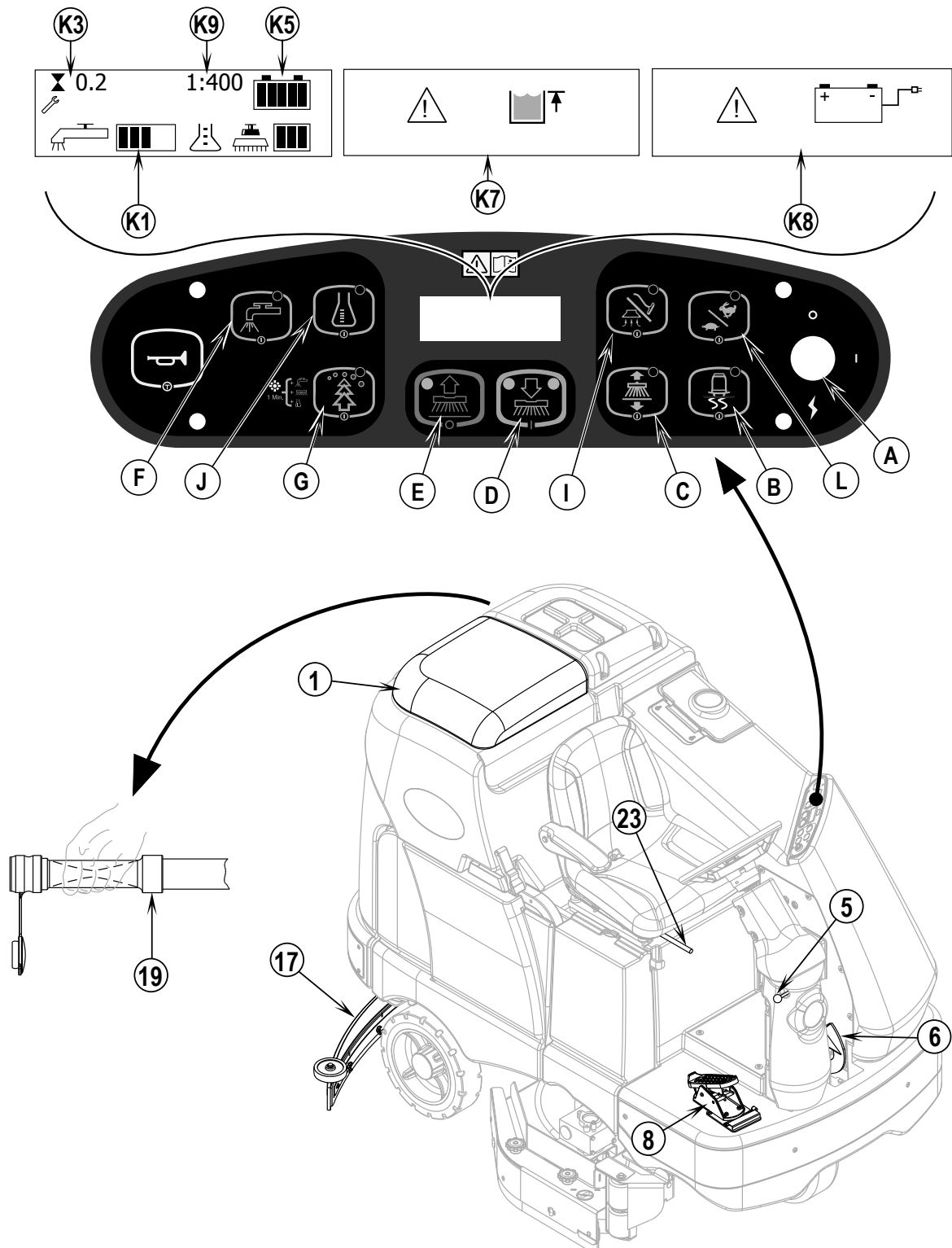
ASPIRAÇÃO ÚMIDA

Passos a seguir sobre o ajuste da máquina com acessórios opcionais para aspiração úmida.

- 1 Desconecte a mangueira de recuperação do rodo (17). Conecte o acoplador e a mangueira do kit de vareta na mangueira de recuperação.
- 2 Acople as ferramentas de coleta úmida adequadas na mangueira. (Um kit de vareta opcional PN56413687 está disponível pela Advance).
- 3 Ligue a chave principal (A) ON e pressione a Chave de aspiração/vareta (I). O motor de aspiração e a bomba funcionarão continuamente até que o interruptor seja pressionado novamente para desligá-lo. **NOTA:** O indicador "Recovery Tank FULL" (tanque de recuperação CHEIO) fica desativado quando o modo de vareta está ativado. A bóia corta o fluxo para dentro do tanque de recuperação.

NOTA DE MANUTENÇÃO: Consulte o manual de manutenção para descrições funcionais detalhadas de todos os controles e programabilidade opcional

FIGURA 8



APÓS O USO

- 1 Ao terminar a lavagem, pressione a Chave de desligar lavagem (E). Isto automaticamente sobe, retrai e para todos os sistemas da máquina (escova, rodo, aspiração, solução e detergente (modelos EcoFlex)). Em seguida direcione a máquina para uma área de serviço para manutenção diária e revisão de outros serviços de manutenção necessários.
- 2 Para esvaziar o tanque de solução, remova a Mangueira de drenagem de solução (4) do seu grampo de armazenagem. Direcione a mangueira para um "LOCAL DE DESCARTE" designado e remova o plug. Lave o tanque com água limpa.
- 3 Para esvaziar o tanque de recuperação, puxe a Mangueira de drenagem do tanque de recuperação (19) da sua área de armazenagem. Direcione a mangueira para um "LOCAL DE DESCARTE" designado e remova o plug (segure a ponta da mangueira acima do nível de água no tanque para evitar um esguicho de água residual). A mangueira de drenagem do tanque de recuperação pode ser apertada para regular o fluxo. Lave o tanque de recuperação com água limpa. Inspeccione as mangueiras de recuperação e aspiração; substitua-as se cortadas ou danificadas.
- 4 Remova as escovas ou suportes de lustrador. Lave as escovas ou almofadas com água morna e pendure para secar.
- 5 Remova o rodo, lave-o com água morna e reinstale na montagem.
- 6 Remova o recipiente nos sistemas cilíndricos e limpe cuidadosamente. Remova de ambos os lados da máquina removendo a aba e elevando o recipiente para fora do compartimento, então puxe para fora.
- 7 Verifique o cronograma de manutenção abaixo e execute qualquer tarefa de manutenção necessária antes de guardar

PROGRAMAÇÃO DE MANUTENÇÃO

ITEM DE MANUTENÇÃO	Diária	Semanal	Mensal	Anual
Carregar baterias	X			
Verificar/limpar tanques e mangueiras	X			
Verificar/limpar/girar escovas/lustradores	X			
Verificar/limpar o rodo	X			
Verificar/limpar bóia de desativação de aspiração	X			
Verificar/Limpar o(s) filtro(s) de espuma do motor de aspiração	X			
Limpar recipiente no sistema cilíndrico	X			
Verificar o nível de água de cada célula de bateria(s)		X		
Inspecionar abas do compartimento de escovas		X		
Inspecionar e limpar filtro de solução		X		
Verificar Freio de estacionamento/ a pedal por desgaste e ajuste		X		
Limpar o depósito de solução no sistema cilíndrico		X		
Depurar o sistema de detergente (apenas EcoFlex)		X		
Manutenção da vassoura lateral		X		
Lubrificação - Graxeira			X	
* Verificar escovas de carbono				X

* As escovas de carbono do motor de vácuo devem ser examinadas pela Advance anualmente ou após 300 de funcionamento. As escovas de carbono do motor de acionamento devem ser examinadas após 500 horas ou anualmente.

NOTA: Consulte o Manual de Manutenção para mais detalhes sobre a manutenção e serviços de reparação.

- 8 Guarde o equipamento dentro de um local limpo e seco. Evite congelamento. Deixe os tanques abertos para sair o ar.
- 9 Desligue a ignição (A) (O) e retire a chave.
- 10 As baterias são o item de substituição mais caro nesta máquina. Para proteger o seu investimento e obter o maior número de ciclos das baterias quanto possível, lembre-se o seguinte:
 - As baterias duram mais tempo se forem mantidas totalmente carregadas.
 - As baterias equipadas com esta máquina não desenvolverão uma memória.
 - As baterias vão durar mais tempo e entregar mais ciclos se forem oportunamente carregadas.
 - Os carregadores de bateria não carregarão de mais ou de menos as baterias.
 - As baterias falham prematuramente, se forem armazenadas descarregadas.
 - Todos os dias, após o uso, o carregador de bateria deve ser conectado e deve poder a funcionar através de uma sequência de carregamento completo para carregar totalmente as baterias.

LUBRIFICANDO A MÁQUINA - FIGURA 9

Uma vez ao mês, bombeie uma pequena quantidade de graxa em cada graxeira na máquina até que a graxa infiltre ao redor dos rolamentos.

Locais da graxeira (ou aplique graxa em) (AA):

- Pivô e eixo da roda do rodo
- Junta universal do eixo do volante
- Corrente do volante
- Roscas do botão ajuste de ângulo de montagem do rodo

Injete mensalmente óleo de máquina ou pulverizador lubrificante sintético para lubrificar (BB):

- Rodas finais da ferramenta de rodo
- Articulação do Pedal do freio (freio de estacionamento)
- Botões de ajuste da altura da saia lateral

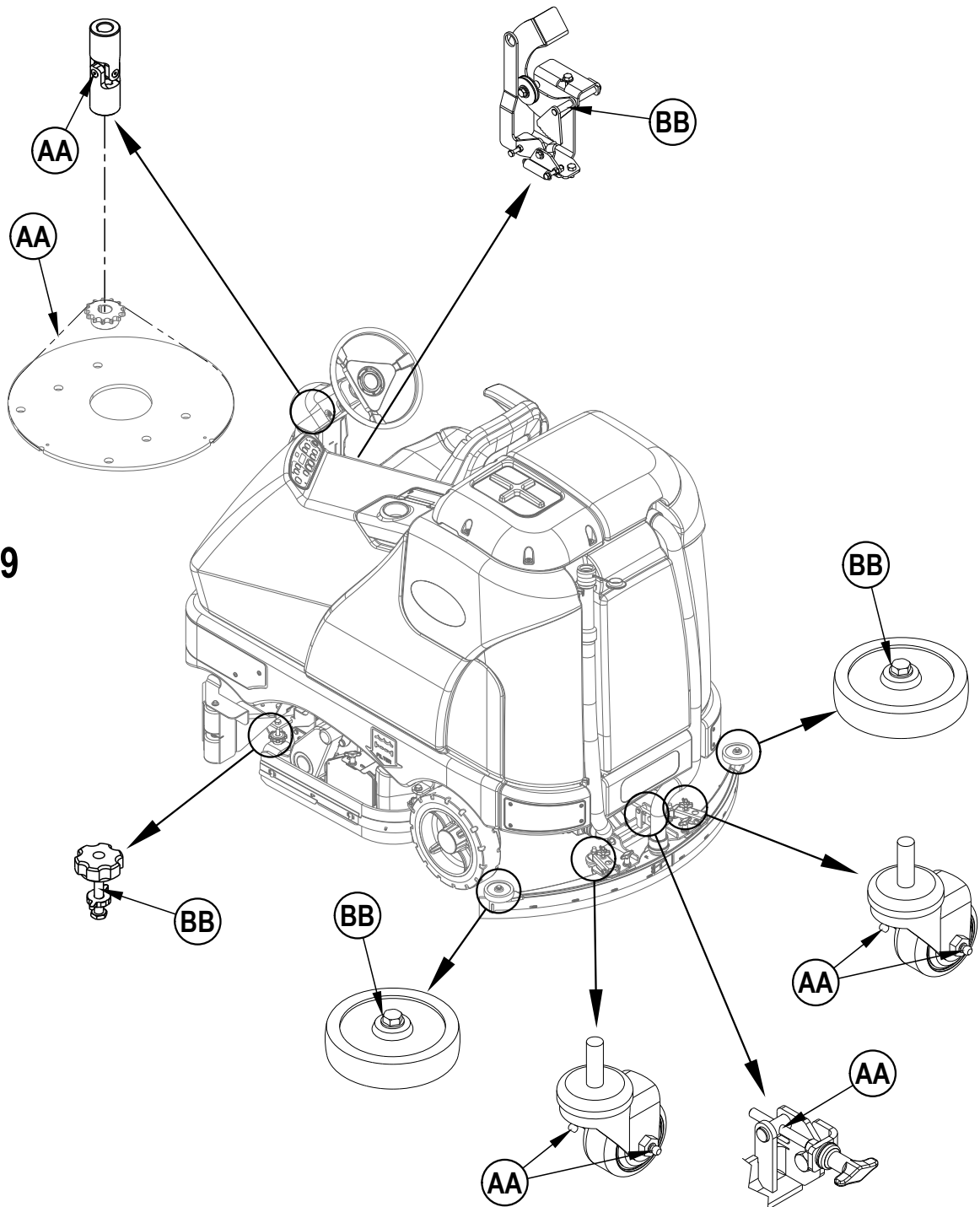


FIGURA 9

CARREGAR AS BATERIAS

Carregue as baterias sempre que o equipamento for utilizado ou sempre que o indicador de bateria (K5) não estiver cheio.

Para carregar as baterias...

- 1 **Ver Figura 10.** Aperte a desconexão de bateria (11).
- 2 Abra o painel de acesso lateral (27) e empurre o conector do carregador no Conector da Bateria (20).
- 3 Siga as instruções do carregador de bateria.
- 4 Após carregar as baterias verifique o nível de fluido em todas as células de bateria. Adicione água destilada, se necessário, para aumentar o nível de fluido até o fundo de alimentação.

⚠ ATENÇÃO!

Não encha as baterias antes de carregá-las.

Carregue as baterias apenas em locais bem ventilados.

Não fume enquanto estiver fazendo a manutenção das baterias.

Ao fazer a manutenção das baterias...

- * Remova todas as joias
- * Não fume
- * Use óculos de segurança, luvas e avental de borracha
- * Trabalhe em uma área bem ventilada
- * Não deixe que as ferramentas encostem em mais de um terminal de bateria de cada vez
- * Antes de trocar as baterias, SEMPRE desligue o cabo negativo (terra) primeiro para evitar centelhas.
- * SEMPRE ligue o cabo negativo por último ao instalar as baterias.

⚠ CUIDADO!

Para evitar danificar as superfícies do piso, limpe sempre a água e o ácido da parte superior das baterias depois de carregá-las.

VERIFICAÇÃO DO NÍVEL DE ELETRÓLITO DA BATERIA

Verifique o nível de eletrólito das baterias pelo menos uma vez por semana.

Depois de carregar as baterias, retire as tampas de ventilação e verifique o nível de eletrólito em cada elemento da bateria. Use água destilada ou desmineralizada em um recipiente de abastecimento de bateria (disponível em lojas de acessórios para carros) para abastecer cada elemento até o indicador de nível (ou até 10 mm acima da parte superior dos separadores). Não encha demasiadamente as baterias!

⚠ CUIDADO!

Ácido poderá cair no chão se as baterias forem cheias demais.

Aperte as tampas de ventilação. Lave a parte superior das baterias com uma solução de bicarbonato de sódio e água (2 colheres de sopa de bicarbonato de sódio para 1 litro de água).

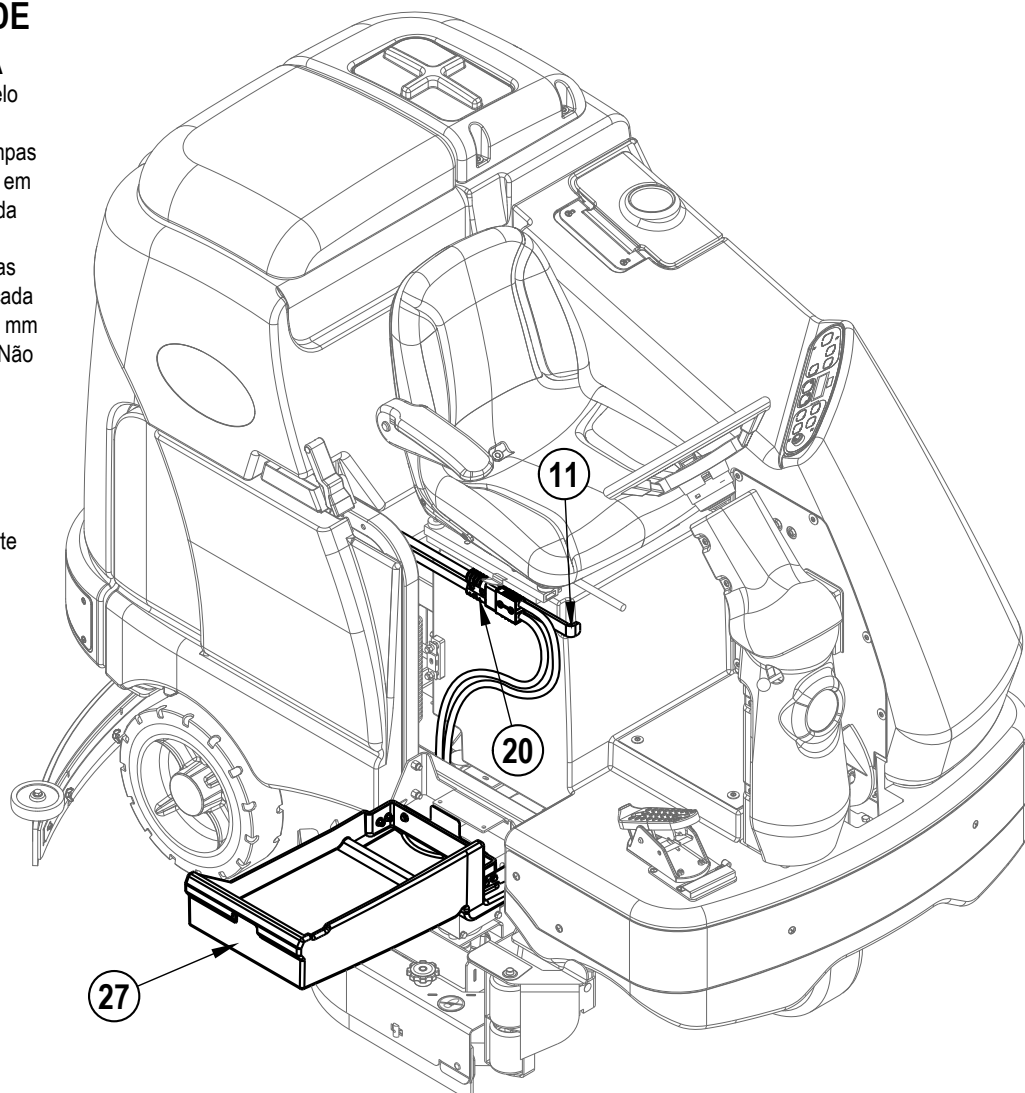


FIGURA 10

MANUTENÇÃO DO RODO

Se o rodo deixar um rastro de estrias ou água, as pás podem estar sujas ou danificadas. Retire o rodo, passe-o por água morna e inspecione as pás. Inverta ou substitua as pás se estiverem rompidas, quebradas, onduladas ou gastas.

Para inverter ou substituir a pá de limpeza do rodo traseira...

- 1 **Ver Figura 11.** Levante o equipamento do rodo do chão, em seguida solte a trava do centro (**AA**) no equipamento do rodo.
- 2 Remova as Tiras de tensão (**BB**).
- 3 Deslize a pá traseira para fora dos pinos de alinhamento.
- 4 A pá do rodo possui 4 arestas de trabalho como mostra abaixo. Rode a pá de forma a que uma das arestas limpas e não danificada fique voltada para a parte dianteira do equipamento. Substitua a pá se as 4 arestas possuírem mossas, estiverem rompidas ou gastas em grande escala até o centro.
- 5 Monte a pá, seguindo os passos em ordem inversa, e ajuste a inclinação do rodo.

Para inverter ou substituir a pá do rodo dianteira...

- 1 Erga o instrumento do rodo, desaperte as (2) porcas de orelhas (**CC**) na parte superior do rodo e remova o equipamento do rodo da montagem.
- 2 Remova ambas as Tiras de tensão antes.
- 3 Remova todas as porcas-borboletas que prendem a pá frontal no lugar, em seguida remova a tira de tensão e a pá.
- 4 A pá do rodo possui 4 arestas de trabalho como mostra abaixo. Rode a pá de forma a que uma das arestas limpas e não danificada fique voltada para a parte dianteira do equipamento. Substitua a pá se as 4 arestas possuírem mossas, estiverem rompidas ou gastas em grande escala até o centro.
- 5 Monte a pá, seguindo os passos em ordem inversa, e ajuste a inclinação do rodo.

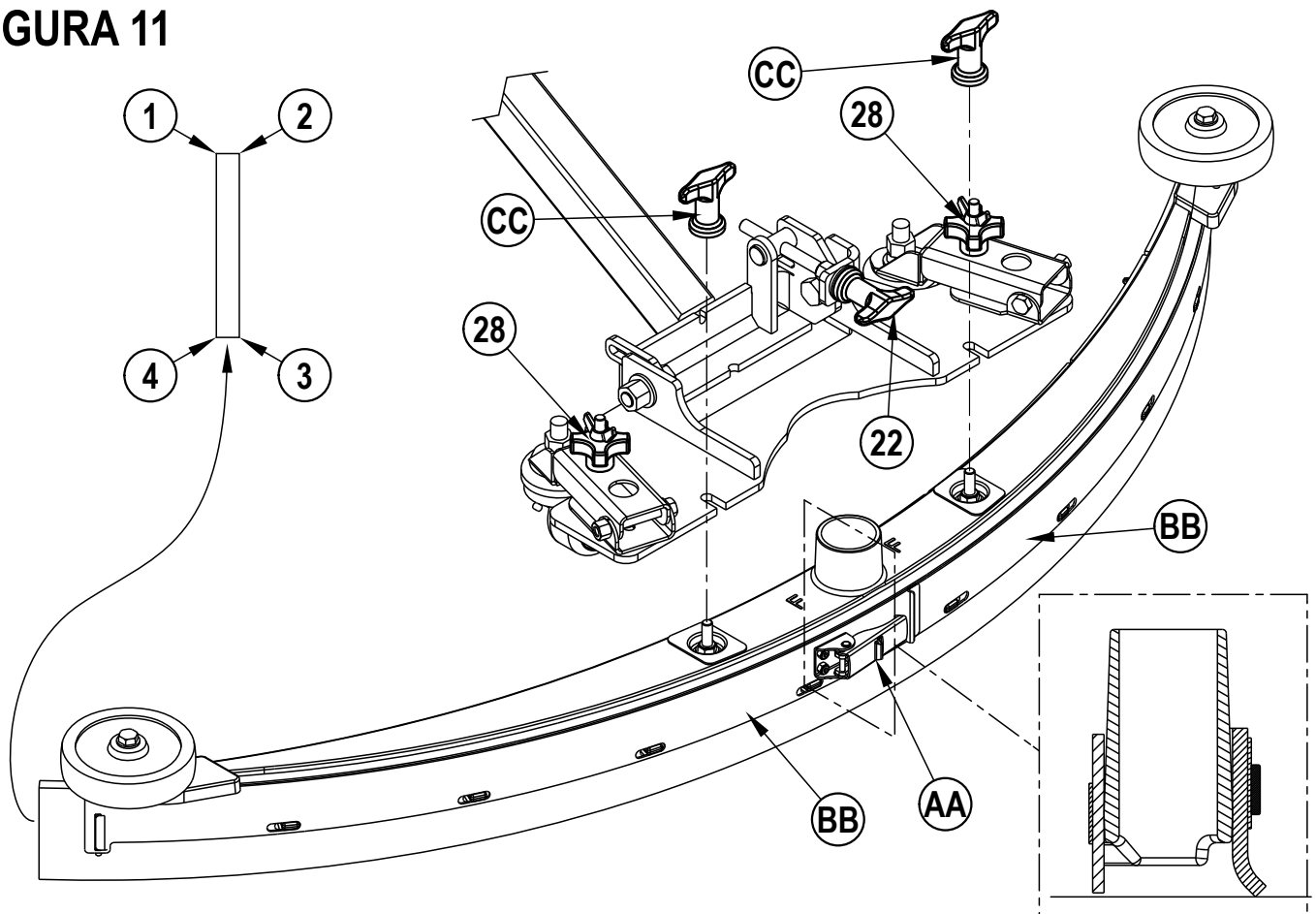
AJUSTE DO RODO

Existem dois ajustes do instrumento de rodo possíveis, ângulo e altura.

Regule o ângulo do rodo sempre que uma pá for invertida ou substituída, ou se o rodo não estiver secando o piso.

- 1 Estacione a máquina em uma superfície uniforme, plana.
- 2 Abaixе o rodo, mova o equipamento um pouco para frente e ajuste a inclinação e altura do rodo usando o Botão de ajuste de inclinação do rodo (**22**) e os Botões de ajuste de altura do rodo (**28**) para que a lâmina traseira do rodo toque o chão de maneira uniforme por toda sua largura e fique um pouco inclinada como mostra na seção transversal do rodo.
- 3 A altura do rodo é predefinida na fábrica, mas pode necessitar de ajuste periódico devido ao desgaste da roda. É alcançada uma altura adequada do rodo quando a pá do rodo dianteira está em contato com o chão, mas não se inclinou. Utilize os Botões de ajuste de altura do rodo (**28**) para garantir que a posição da pá é uniforme de esquerda para direita.
- 4 O Botão de ajuste de inclinação do rodo (**22**) é usado para ajustar o ângulo da ferramenta para um contato uniforme do centro até a ponta da pá.

FIGURA 11



MANUTENÇÃO DA ABA LATERAL

Função da aba lateral é canalizar a água residual para o rodo, ajudando a conter a água dentro das máquinas de limpeza do caminho. Durante condições normais de uso as pás se desgastarão com o tempo. O operador perceberá uma pequena quantidade de vazamento de água embaixo das abas laterais. Um ajuste de altura pode facilmente descer as pás para que toda a água possa ser coletada pelo rodo.

Para reverter ou mudar de lugar a(s) aba(s) lateral(ais) do sistema de limpeza ...

- 1 **Ver Figura 12.** Solte os botões retentores da aba lateral (2) **(AA)** (2 para cada lado) e remova os Conjuntos de abas **(BB)** da plataforma de limpeza. **NOTA:** Remova as abas primeiro deslizando-as para frente e depois puxando-as.
- 2 Remova todos os dispositivos que prendem as pás nos compartimentos da pá. **NOTA:** A pá principal em cada compartimento de aba é mantida nos Retentores sem ferramentas. Basta soltar as porcas-borboletas grandes **(CC)** e girar as chaves **(DD)** pelo lado de fora do compartimento da aba até que estejam na horizontal e empurrar através das ranhuras. A pá interna menor **(EE)** nos modelos de disco é mantida por uma placa, duas porcas e dois parafusos e tem duas arestas de trabalho.
- 3 A pá do rodo possui principal tem 4 arestas de trabalho como mostrado. Gire a pá de forma a que uma das arestas limpas e não danificada fique voltada para o centro do equipamento. Substitua as pás como um conjunto se todas as quatro bordas estão cortadas, tortas ou desgastadas além da possibilidade de ajuste.
- 4 Reinstale os conjuntos de compartimentos de aba na máquina e ajuste a pá para contato adequado ao chão quando a superfície da escova é colocada na posição de lavagem.

AJUSTE DA ALTURA DA ABA LATERAL

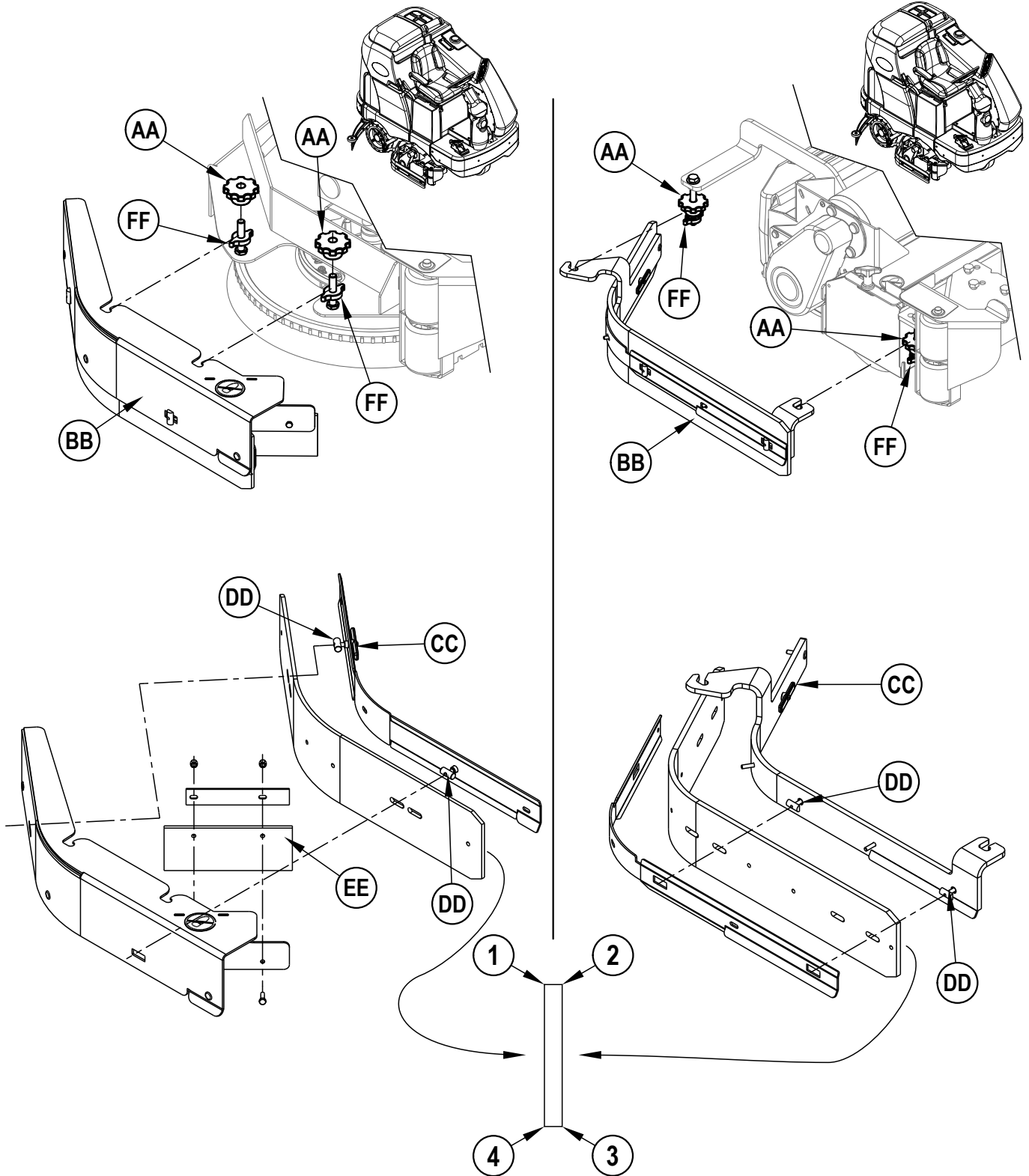
- 1 Os pinos de parafusos retentores do botão do compartimento da aba lateral possuem Anéis de ajuste **(FF)** que podem ser erguidos ou abaixados para compensar o desgaste da pá.
- 2 Para ajustar, remova os Conjuntos de aba **(BB)** da plataforma de lavagem para acessar os Anéis de ajuste **(FF)**. Dica de ajuste: Os botões retentores de abas **(AA)** podem ser afrouxados com as abas nos Anéis de ajuste **(FF)** girados alcançando por baixo do compartimento da aba.
- 3 Gire os Anéis de ajuste **(FF)** (Para cima e para baixo) para onde as lâminas apenas dobrem o suficiente para esfregar toda a água residual que está contida no rodapé. **NOTA:** Faça pequenos ajustes para obter uma boa limpeza da pá. Não abaixe demais as pás onde dobrem excessivamente e causem um desgaste desnecessário.

MANUTENÇÃO DA ABA LATERAL

FIGURA 12

DISCO

CILÍNDRICO



MANUTENÇÃO DA VASSOURA LATERAL

A(s) vassoura(s) lateral(ais) tira(m) a sujeira e resíduos das paredes ou beiradas e do trajeto da vassoura principal. Ajuste a vassoura lateral para que as cerdas estejam em contato com o chão da área 10 horas **(AA)** às 3 horas **(BB)** mostrada na **Figura 13** quando a vassoura está abaixada e em funcionamento.

As vassouras laterais são ajustadas através do modo de ajuste. Para inserir o “Modo de ajuste” realize as etapas seguintes...

- 1 Desligue a Chave da ignição **(A)** (O).
- 2 Pressione e segure a chave da vassoura lateral **(C)** e a chave DESLIGA de lavagem **(E)**.
- 3 Enquanto segura as chaves **(C & E)**, ligue a chave da ignição (I).
- 4 Continue a segurar as chaves por 2 segundos até que os LEDs de vassoura lateral, lavagem ligada, lavagem desligada acendam.
- 5 Solte as chaves. O visor **(K)** agora mostra [SIDE BROOM ADJUSTMENT] “AJUSTE DA VASSOURA LATERAL”.

Uma vez dentro do “Modo de ajuste” realize os passos seguintes para ajustar a vassoura lateral...

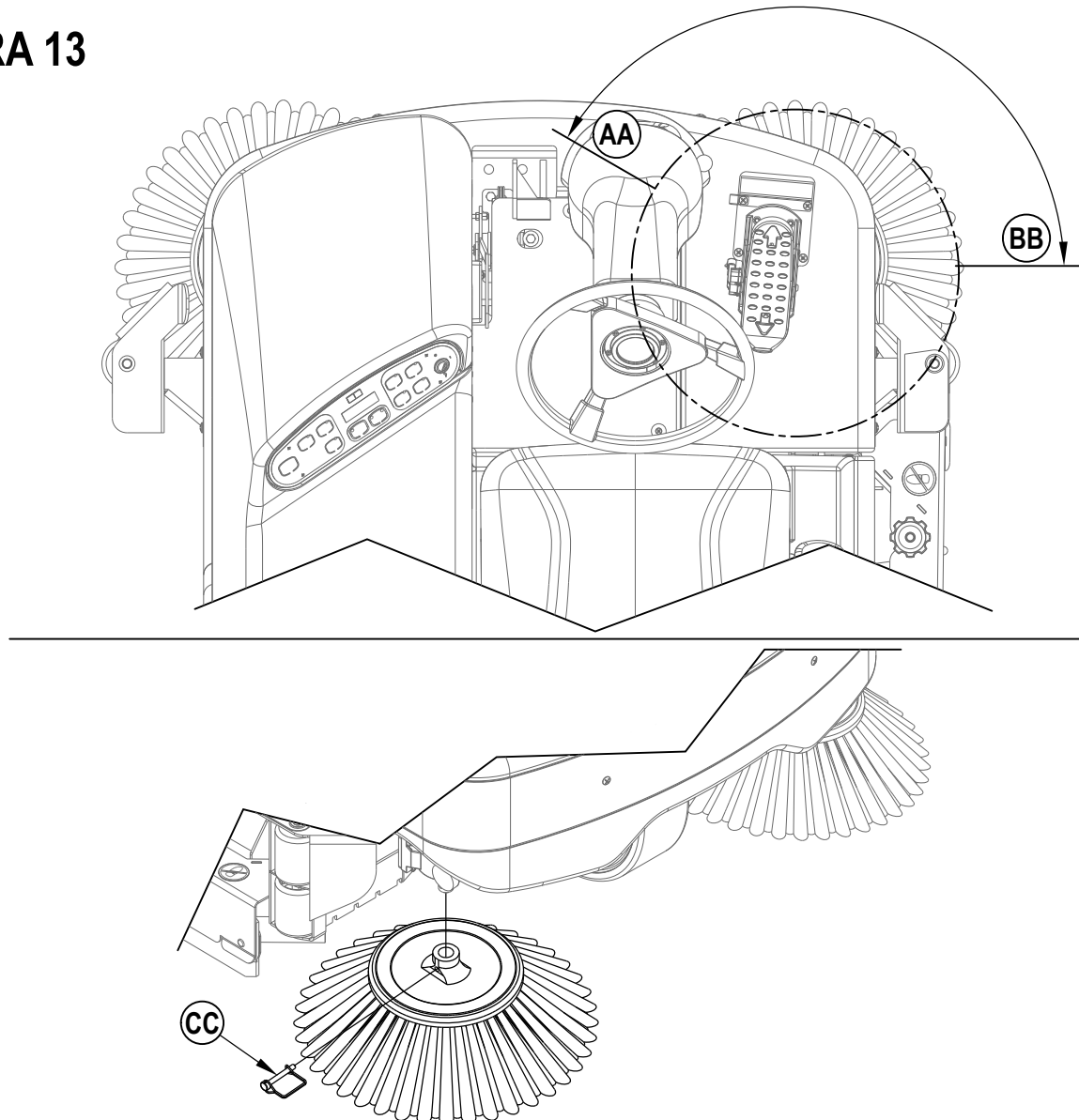
- 1 Pressione a Chave LIGA lavagem **(D)** para descer as vassouras laterais e pressione a Chave de vassoura lateral **(C)** para erguer as vassouras laterais até que a altura desejada seja alcançada.
- 2 Para salvar a posição de altura da vassoura lateral, pressione a Chave desliga lavagem **(E)**. As vassouras laterais se erguerão para a posição e a tela mostrará o ícone chave (indicando que a chave principal deve ser ligada ou desligada).
- 3 A máquina agora foi reprogramada para usar a nova posição de altura da vassoura lateral.

NOTA: A máquina deve ser armazenada com as Vassouras laterais na posição elevada. As vassouras laterais devem ser substituídas quando as cerdas estiverem gastas em uma faixa de 3 polegadas (7,62 cm) ou se tornarem ineficazes.

Para substituir a Vassoura lateral...

- 1 Levante a(s) vassoura(s) lateral(is).
- 2 Remova o pino maior **(CC)** segurando a vassoura lateral e remova a vassoura.
- 3 Instale a nova vassoura escorregando para CIMA no eixo e reinstalando o Pino **(CC)**.

FIGURA 13





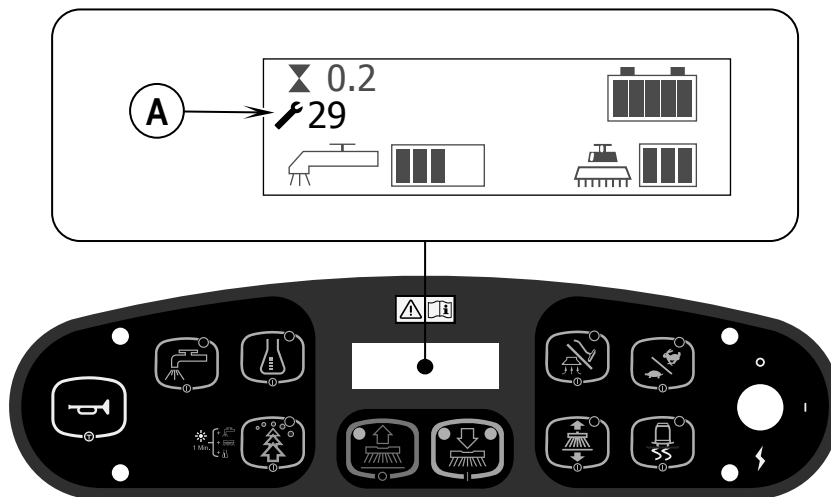
DETECÇÃO E SOLUÇÃO DE PROBLEMAS GERAIS DO EQUIPAMENTO


















Problema	Possível causa	Solução
Recolhimento insuficiente de água	Pás de rodo gastas ou rompidas	Inverta ou substitua
	Rodo mal regulado	Regule para que as pás toquem uniformemente o piso em toda a largura
	Tanque de recuperação cheio	Esvazie o tanque de recuperação
	Vazamento da mangueira de drenagem do tanque de recuperação	Aperte a tampa da mangueira de drenagem ou substitua-a
	Vazamento na junta da tampa do tanque de recuperação	Substitua a junta/Coloque bem a tampa
	Detritos presos no rodo	Limpe o instrumento do rodo
	Mangueira de aspiração obstruída	Remova os detritos
	Uso de solução em excesso	Reduza o fluxo através do botão de solução do painel de controle
	Tampa do filtro de espuma mal instalada	Coloque a tampa devidamente
Desempenho de lavagem insatisfatório	Escovas ou lustrador gasto	Rode ou substitua as escovas
	Tipo de escova ou lustrador errado	Consulte a Advance
	Produto químico de limpeza errado	Consulte a Advance
	Velocidade excessiva	Reduza a velocidade
	Solução insuficiente	Aumente o fluxo através do botão de solução do painel de controle
Os motores de lavagem não funcionam	Disparo do disjuntor (F3) de 20 Amp	Verifique a ocorrência de curto-circuito e restaure
Vazão de solução inadequada ou inexistente	Tanque de solução vazio	Encha o tanque de solução
	Linhas de solução, válvulas, filtro ou depósito obstruído	Passe água nas linhas e depósito e limpe o filtro de solução
	Solução DESLIGADA	Ative o fluxo através do botão de solução do painel de controle
	Válvula do solenóide de solução bloqueada ou com defeito	Limpe ou substitua a válvula (veja o manual de manutenção)
O equipamento não funciona	Disparo do interruptor de parada de emergência	Reconecte os conectores de bateria
	Chave de segurança de assento do operador	Verifique por um circuito aberto e substitua
	Controlador do sistema principal	Verifique os códigos de erro (consulte o manual de manutenção)
	Disparo do disjuntor (F1) de 3 Amp	Verifique a ocorrência de curto-circuito e restaure
Acionamento FWD/REV (avanço/marcha a ré) inexistente	Controlador de velocidade do sistema de acionamento	Verifique os códigos de erro (consulte o manual de manutenção)
	Disparo do interruptor de parada de emergência	Reconecte os conectores de bateria
Desativação da aspiração e visor "FULL" (CHEIO) quando o tanque de recuperação não está cheio	Mangueira do rodo obstruída	Elimine os detritos
	Aspiração de grandes quantidades de água a grande velocidade	Reduza a velocidade ou desative a função de desativação automática (consulte o manual de manutenção)
Desempenho de limpeza insatisfatório (Sistema cilíndrico)	Recipiente de pó cheio	Esvazie e limpe o recipiente
	Escovas gastas	Substitua as escovas
	As cerdas abateram	Rode as escovas
Cartucho de detergente ausente (apenas modelos EcoFlex)	Esvazie o cartucho de detergente	Encha o cartucho de detergente
	Linha de distribuição de detergente obstruída ou dobrada	Limpe o sistema, endireite as linhas para remover as dobras
	Tampa de vedação a seco no cartucho de detergente não está vedada	Reinstale a tampa de vedação
	Fiação da bomba de detergente desconectada ou invertida	Conecte ou reconecte a fiação





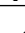
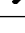








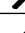
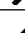

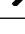
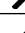
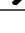


DETECÇÃO E SOLUÇÃO DE PROBLEMAS GERAIS DO EQUIPAMENTO

VISOR DE CÓDIGO DE ERRO

Todos os códigos de erro detectados pelo Conjunto de painel de Controle A2 serão exibidos no visor do painel de controle à medida que estes ocorrem. Se existe mais de um erro, o divisor fará uma sequência através dos códigos de erro em intervalos de um segundo. O erro (A) será exibido como um símbolo de chave mecânica  seguido por um código de dois dígitos. Por exemplo,  29, como mostrado no desenho adjacente seria um erro de motor de aspiração aberto.



Código Exibido	Descrição do erro ou falha
 01	Falha no sentido do resistor R2 da plataforma de escovação
 03	Falha no controle de velocidade
 04	Sobrecarga do motor de escovação Note que alguns modelos usam um, dois ou três motores de escovação.
 05	Sobrecarga da bobina do contator do motor da escova esquerda O contator K4 é para o motor esquerdo nas plataformas de três motores.
 06	Sobrecarga da bobina do contator do motor da escova central O contator K3 é para o motor central nas plataformas de três motores. K3 é para o motor esquerdo nas plataformas de dois motores.
 07	Sobrecarga da bobina do contator do motor da escova direita O contator K2 é para o motor direito nas plataformas de dois ou três motores. K2 é o único contator nas plataformas de motor único.
 08	Sobrecarga do atuador da plataforma de limpeza
 09	Sobrecarga do motor de aspiração
 10	Sobrecarga da bobina do contator do motor de aspiração K1
 11	Sobrecarga do atuador do rodo
 12	Sobrecarga de solenoide da solução L1
 13	Sobrecarga da bomba de controle da solução
 16	Sobrecarga da bobina do contator do motor da vassoura lateral K6
 17	Sobrecarga do atuador da vassoura lateral
 18	Sobrecarga da bobina do contator auxiliar K5
 19	Sobrecarga do alarme de ré
 20	Falla na saída da buzina

Código Exibido	Descrição do erro ou falha
 21	Motor de escovação aberto
 22	Bobina do contator do motor da escova esquerda aberta
 23	Curto com o terra da bobina do contator do motor da escova esquerda
 24	Bobina do contator do motor da escova central aberta
 25	Curto com o terra da bobina do contator do motor da escova central
 26	Bobina do contator do motor da escova direita aberta
 27	Curto com o terra da bobina do contator do motor da escova direita
 28	Atuador da plataforma de limpeza aberto
 29	Motor de aspiração aberto
 30	Bobina do contator do motor de aspiração aberto
 31	Curto com o terra da bobina do contator do motor de escovação K1
 32	Atuador do rodo aberto
 33	Solenoide da solução L1 aberto
 34	Curto com o terra do solenoide da solução L1
 35	Bomba de controle da solução aberta
 36	Bobina do contator do motor da vassoura lateral aberta
 37	Curto com o terra da Bobina do contator do motor da vassoura lateral K6
 38	Atuador do motor da vassoura lateral aberto
 39	Bobina do contator do motor auxiliar aberto
 40	Curto com o terra da bobina do contator do motor auxiliar K5
 41	Alarme de ré aberta
 42	Curto com o terra do alarme de ré

ACESSÓRIOS/ OPÇÕES

Além dos componentes padrão, a máquina pode ser equipada com os seguintes acessórios / opções, de acordo com o uso específico de máquina:

- Escovas com cerdas mais duras ou mais macias
- Kit de enchimento automático de solução
- Kit do motor de aspiração
- Kit de farol de advertência
- Kit de assento de luxo
- Kit de proteção superior
- Kit de cinto de segurança
- Kit de implantador de bateria
- Kit de proteção do pé para operador
- Kit do alarme de ré
- Kit de vara pulverizadora
- Kit de farol dianteiro
- Kit de para-choque forte dianteiro
- Kit de tapete
- Kit de medição do detergente
- Kit de parachoque tubo dianteiro

Para mais informações sobre os acessórios acima mencionados, entre em contato com um revendedor autorizado.

Composição do material e reciclagem		
Tipo	% do peso da máquina	% reciclável
Alumínio	2%	100%
Sistema elétrico / motores /máquinas - misc.	19%	33%
Metais ferrosos	51%	100%
Arneses / cabos	2%	81%
Líquidos	0%	0%
Plástico - não reciclável	3%	0%
Plástico - reciclável	3%	100%
Polietileno	21%	92%
Borracha	1%	33%

TAIXAS DE VAZÃO DE SOLUÇÃO

	Taixas de vazão padrão			Anulação de taxas de vazão	
	1 bar	2 bars	3 bars	4 bars	5 bars
Disco de 40"	0,84 GPM	1,00 GPM	1,50 GPM	2,00 GPM	2,50 GPM
Cilíndricos de 40"	0,70 GPM	0,84 GPM	1,00 GPM	1,50 GPM	2,50 GPM
Disco de 45"/48"	1,00 GPM	1,50 GPM	2,00 GPM	2,25 GPM	2,50 GPM
45"/48" Cilíndrico	0,84 GPM	1,00 GPM	1,50 GPM	2,00 GPM	2,50 GPM

ESPECIFICAÇÕES TÉCNICAS (CONFORME INSTALADAS E TESTADAS NA UNIDADE)

Modelo		SC6500 40C	SC6500 45C	SC6500 48C
		SC6500 40D	SC6500 45D	SC6500 48D
Nº de modelo		56414010	56414014	56414018
		56414012	56414016	56414020
Voltagem, baterias	V	36V	36V	36V
Capacidade da bateria (max)	Ah	450	450	450
Grau de proteção		IPX3	IPX3	IPX3
Nível de pressão acústica - Cilíndrico IEC 60335-2-72: 2002 Amend. 1:2005, ISO 11201	dB(A)/20µPa	70	70	70
Nível de pressão acústica - KpA (IEC 60335-2-72, ISO 11201) Incerteza	dB(A)	3.0	3.0	3.0
Nível de pressão acústica - Disco IEC 60335-2-72: 2002 Amend. 1:2005, ISO 11201	dB(A)/20µPa	70	70	70
Nível de pressão acústica - KpA (IEC 60335-2-72, ISO 11201) Incerteza	dB(A)	3.0	3.0	3.0
Peso bruto* - Cilíndrico	lb / kg	3325 / 1508	3365 / 1526	3410 / 1547
Peso de transporte** - Cilíndrico	lb / kg	2897 / 1314	2937 / 1332	2982 / 1353
Peso bruto* - Disco	lb / kg	3220 / 1460	3270 / 1483	3320 / 1506
Peso de transporte** - Disco	lb / kg	2792 / 1266	2842 / 1289	2892 / 1312
Carga máxima da roda (central dianteira)	psi / kg/cm ²	116 / 8,15	116 / 8,15	116 / 8,15
Carga máxima da roda (traseira direita)	psi / kg/cm ²	81 / 5,69	81 / 5,69	81 / 5,69
Carga máxima da roda (traseira esquerda)	psi / kg/cm ²	86 / 6,04	86 / 6,04	86 / 6,04
Vibrações nos controles manuais (ISO 5349-1)	m/s ²	<1,12m/s ²	<1,12m/s ²	<1,12m/s ²
Vibrações nos comandos manuais (ISO 5349-1) Incerteza	m/s ²	0,11 m/s ²	0,11 m/s ²	0,11 m/s ²
Vibrações no assento (EN 1032)	m/s ²	<0,35m/s ²	<0,35m/s ²	<0,35m/s ²
Vibrações no assento (EN 1032) Incerteza	m/s ²	0,035m/s ²	0,035m/s ²	0,035m/s ²
Inclinação durante o transporte		16% (9°)	16% (9°)	16% (9°)
Inclinação durante a limpeza		10,5% (6°)	10,5% (6°)	10,5% (6°)
Comprimento do equipamento	inch / cm	73,5 / 187		
Altura do equipamento	inch / cm	58,5 / 148,6		
Altura do equipamento (com a proteção superior)	inch / cm	84 / 213		
Largura do equipamento em cilindros - Cilíndrico	inch / cm	47,5 / 121	53,5 / 136	55,5 / 141
Largura do equipamento em cilindros - Disco	inch / cm	42,5 / 108	51,5 / 131	52,5 / 133
Largura do equipamento com rodo	inch / cm	49 / 125 "F"	54 / 137 "G"	57 / 145 "H"
Largura mínima para giro	inch / cm	84 / 214		
Capacidade do tanque de solução	Galão / L	70 / 265		
Capacidade do tanque de recuperação	Galão / L	70 / 265		
Velocidade de transporte (máxima para a frente)	mph / kph	6,0 / 9,5		
Velocidade de transporte (Máxima de ré)	mph / kph	3,0 / 5,0		
Tamanho do compartimento da bateria (aproximado)				
Altura (máxima)	inch / cm	19 / 48,2		
Largura (máxima)	inch / cm	20 / 50,8		
Comprimento (máximo)	inch / cm	31,75 / 80,6		
Tamanho da escova de esfregar				
Diâmetro da escova de esfregar externa - Cilíndrico (o núcleo interno é de 5 in / 12,7 cm)	inch / cm	8,5 / 21,6		
Comprimento da escova de esfregar - Cilíndrico (duas escovas por equipamento)	inch / cm	38,37 / 97,4	43,6 / 110,8	46,6 / 118,4
Diâmetro da escova- Disco	inch / cm	(Quantidade de 2) 20 / 50,8	(Quantidade de 3) 16 / 40,6	(Quantidade de 3) 17 / 43
Velocidade da escova de limpeza	Cilíndrico	RPM	630	630
	Disco	RPM	240	225
Capacidade do Recipiente - Cilíndrico	ft ³ / L	0.40 / 11	0.44 / 12.5	0.50 / 14
Largura da trajetória de limpeza (Trajetória de esfregado)	inch / cm	40 / 101	45 / 114	48 / 122
Trajetória da verrição com vassouras laterais - Cilíndrico	inch / cm	57 / 145		

*Peso bruto: Máquina padrão sem opções, tanque de solução completo e tanque de recuperação vazio, com escovas removíveis e baterias instaladas.

**Peso de transporte: Máquina padrão sem opções, tanques de solução e recuperação vazios, com as baterias instaladas e sem operador.

ESPECIFICAÇÕES TÉCNICAS (CONFORME INSTALADAS E TESTADAS NA UNIDADE)

Modelo		SC6500 40C (EcoFlex)	SC6500 45C (EcoFlex)	SC6500 48C (EcoFlex)
		SC6500 40D (EcoFlex)	SC6500 45C (EcoFlex)	SC6500 48D (EcoFlex)
Nº de modelo		56414011	56414015	56414019
		56414013	56414017	56414021
Voltagem, baterias	V	36V	36V	36V
Capacidade da bateria	Ah	450	450	450
Grau de proteção		IPX3	IPX3	IPX3
Nível de pressão acústica - Cilíndrico IEC 60335-2-72: 2002 Amend. 1:2005, ISO 11201	dB(A)/20μPa	70	70	70
Nível de pressão acústica - <i>KpA</i> (IEC 60335-2-72, ISO 11201) Incerteza	dB(A)	3,0	3,0	3,0
Nível de pressão acústica - Disco IEC 60335-2-72: 2002 Amend. 1:2005, ISO 11201	dB(A)/20μPa	70	70	70
Nível de pressão acústica - <i>KpA</i> (IEC 60335-2-72, ISO 11201) Incerteza	dB(A)	3,0	3,0	3,0
Peso bruto* - Cilíndrico	lb / kg	3325 / 1508	3365 / 1526	3410 / 1547
Peso de transporte* - Cilíndrico	lb / kg	2897 / 1314	2937 / 1332	2982 / 1353
Peso bruto* - Disco	lb / kg	3220 / 1460	3270 / 1483	3320 / 1506
Peso de transporte** - Disco	lb / kg	2792 / 1266	2842 / 1289	2892 / 1312
Carga máxima da roda (central dianteira)	psi / kg/cm ²	116 / 8,15	116 / 8,15	116 / 8,15
Carga máxima da roda (traseira direita)	psi / kg/cm ²	81 / 5,69	81 / 5,69	81 / 5,69
Carga máxima da roda (traseira esquerda)	psi / kg/cm ²	86 / 6,04	86 / 6,04	86 / 6,04
Vibrações nos controles manuais (ISO 5349-1)	m/s ²	<1,12m/s ²	<1,12m/s ²	<1,12m/s ²
Vibrações nos comandos manuais (ISO 5349-1) Incerteza	m/s ²	0,11 m/s ²	0,11 m/s ²	0,11 m/s ²
Vibrações no assento (EN 1032)	m/s ²	<0,35m/s ²	<0,35m/s ²	<0,35m/s ²
Vibrações no assento (EN 1032) Incerteza	m/s ²	0,035m/s ²	0,035m/s ²	0,035m/s ²
Inclinação durante o transporte		16% (9°)	16% (9°)	16% (9°)
Inclinação durante a limpeza		10.5% (6°)	10.5% (6°)	10.5% (6°)
Comprimento do equipamento	inch / cm	73.5 / 187		
Altura do equipamento	inch / cm	58.5 / 148.6		
Altura do equipamento (com a proteção superior)	inch / cm	84 / 213		
Largura do equipamento em cilindros - Cilíndrico	inch / cm	47.5 / 121	53.5 / 136	55.5 / 141
Largura do equipamento em cilindros - Disco	inch / cm	42.5 / 108	51.5 / 131	52.5 / 133
Largura do equipamento com rodo	inch / cm	49 / 125 "F"	54 / 137 "G"	57 / 145 "H"
Largura mínima para giro	inch / cm	84 / 214		
Capacidade do tanque de solução	Galão / L	70 / 265		
Capacidade do tanque de recuperação	Galão / L	70 / 265		
Velocidade de transporte (máximo para a frente)	mph / kph	6,0 / 9,5		
Velocidade de transporte (Máximo de ré)	mph / kph	3,0 / 5,0		
Tamanho do compartimento da bateria (aproximado)				
Altura (máxima)	inch / cm	19 / 48,2		
Largura (máxima)	inch / cm	20 / 50,8		
Comprimento (máximo)	inch / cm	31,75 / 80,6		
Tamanho da escova de esfregar				
Diâmetro da escova de esfregar externas - Cilíndrico (o núcleo interno é de 5 in / 12.7 cm)	inch / cm	8,5 / 21,6		
Comprimento da escova de esfregar - Cilíndrico (duas escovas por equipamento)	inch / cm	38,37 / 97,4	43,6 / 110,8	46,6 / 118,4
Diâmetro da escova - Disco	inch / cm	(Quantidade de 2) 20 / 50,8	(Quantidade de 3) 16 / 40,6	(Quantidade de 3) 17 / 43
Velocidade da escova de limpeza	Cilíndrico Disco	RPM RPM	630 225	630 225
Capacidade do Recipiente - Cilíndrico	ft ³ / L	0.40 / 11	0.44 / 12.5	0.50 / 14
Largura da trajetória de limpeza (Trajetória de esfregado)	inch / cm	40 / 101	45 / 114	48 / 122
Trajetoória da verrição com vassouras laterais - Cilíndrico	inch / cm	57 / 145		

*Peso bruto: Máquina padrão sem opções, tanque de solução completo e tanque de recuperação vazio, com escovas removíveis e baterias instaladas.

**Peso de transporte: Máquina padrão sem opções, tanques de solução e recuperação vazios, com as baterias instaladas e sem operador.

TABLE DES MATIÈRES

	page
Introduction.....	D-3
Consignes de prudence et de sécurité.....	D-4 - D-5
Apprenez à connaître votre machine.....	D-6 – D-7
Panneau de commande	D-8
Préparation d'utilisation de la machine	
Installation des batteries.....	D-9
Installation des brosses.....	D-10 – D-11
Remplissage du réservoir de solution	D-12
Installation de la raclette.....	D-13
Système de détergent	D-14 – D-15
Fonctionnement de la machine	
Fonctionnement de la machine	D-16 – D-17
Récurage.....	D-16 – D-17
Aspiration humide.....	D-17
Après utilisation	D-18
Calendrier d'entretien	D-18
Lubrification de la machine.....	D-19
Chargement des batteries	D-20
Vérification du niveau d'eau de la batterie.....	D-20
Entretien de la raclette.....	D-21
Réglage de la raclette.....	D-21
Entretien de la bavette latérale.....	D-22 – D-23
Entretien de la brosse latérale.....	D-24
Dépannage.....	D-25 – D-26
Spécifications techniques.....	D-28 – D-29

⚠ ATTENTION !

- Faire particulièrement ATTENTION lors de l'utilisation de cette machine. Assurez-vous d'avoir bien lu et compris les consignes d'utilisation avant d'utiliser la machine. Pour toute question, contactez votre responsable ou votre distributeur Advance Industrial.
- En cas de dysfonctionnement de la machine, n'essayez pas de résoudre le problème sans en avoir reçu l'ordre par votre responsable. Adressez-vous à un technicien qualifié de votre entreprise ou à un technicien d'un distributeur agréé Advance pour toute intervention nécessaire sur l'équipement.
- Soyez particulièrement vigilant lorsque vous intervenez sur cette machine. Des vêtements amples, les cheveux longs ou les bijoux peuvent se prendre dans les pièces mobiles de la machine. Mettez le commutateur en position arrêt (OFF) et enlevez les clés avant d'intervenir sur l'appareil. Serrez le frein de stationnement avant de quitter la machine. Faites preuve de bon sens, respectez les consignes de sécurité ainsi que les consignes figurant sur les autocollants jaune placés sur la machine.
- Avancez lentement dans les pentes. Utilisez la pédale de frein **(6)** pour commander la vitesse de la machine en cas de circulation sur une pente descendante. N'EFFECTUEZ PAS de demi-tour lorsque la machine est dans une pente ; déplacez vous exclusivement dans le sens de la montée ou de la descente.
- Le degré d'inclinaison maximum autorisé de la pente pour les opérations de polissage est de 10%. • Le degré d'inclinaison maximum de la pente pour le transport est de 16%.

INTRODUCTION

Ce mode d'emploi vous permettra d'exploiter au maximum les fonctionnalités de votre **nettoyeuse autoportée Advance™**. Lisez-le donc attentivement avant d'utiliser votre machine.

Remarque : Les chiffres en gras entre parenthèses indiquent que la pièce figure sur les dessins des pages D-6 – D-8 du présent manuel.

Ce produit est uniquement destiné à un usage commercial.

PIECES ET SERVICE APRES-VENTE

Si nécessaire, les réparations doivent être effectuées par votre centre de service Advance agréé. Ce dernier emploie du personnel formé en usine et maintient un inventaire des pièces de rechange et des accessoires originaux Advance.

Pour tout entretien ou réparation, contactez votre revendeur Advance. Veuillez spécifier le modèle et le numéro de série de votre machine dans toute communication sur votre machine.

ALTÉRATIONS

Les altérations et ajouts d'éléments à la machine de lavage, qui affectent ses capacités et son fonctionnement sécurisé, ne doivent pas être réalisés sans le consentement préalable et écrit de Nilfisk Inc. Toute altération non approuvée annulera la garantie de la machine. En outre, le client sera entièrement responsable des accidents associés.

PLAQUE D'IDENTIFICATION

Le modèle et le numéro de série de votre machine figurent sur la plaque d'identification située sur la machine. Ces informations sont nécessaires lors de la commande de pièces détachées pour votre machine. Utilisez l'espace disponible ci-dessous pour consigner ces renseignements en vue d'une utilisation ultérieure.

RÉFÉRENCE _____

NUMERO DE SERIE _____

RECEPTION DE LA MACHINE

Lors de la livraison de la machine, veuillez inspecter soigneusement le carton de conditionnement et la machine elle-même afin de déceler tout dégât éventuel. En cas de dommage manifeste, conservez le carton de conditionnement afin d'en permettre l'inspection. Le cas échéant, prenez immédiatement contact avec le service clientèle de Advance afin de faire une déclaration de dégât de fret.

Une fois l'emballage enlevé, coupez les courroies en plastique et retirez les cales de bois situées près des roues. Utilisez une rampe pour faire descendre la machine de la palette sur le sol.

AVERTISSEMENT !

Les Produits vendus avec le présent manuel contiennent ou peuvent contenir des produits chimiques reconnus par certains gouvernements (comme l'État de Californie, par le biais de la proposition de loi d'avertissement réglementaire 65) comme provoquant des cancers, des anomalies congénitales et autres dangers pour la reproduction. Dans certains endroits (comme l'État de Californie), les acheteurs de ces Produits, qui les utilisent sur un lieu de travail ou dans un espace public, ont l'obligation d'apposer certains avis, avertissements ou informations concernant les produits chimiques qui sont ou peuvent être contenus dans les Produits dans ces lieux ou aux alentours de ces lieux de travail. Il incombe à l'acheteur de connaître les dispositions de, et de respecter, toutes les lois et réglementations ayant trait à l'utilisation de ces Produits au sein de tels environnements. Le Fabricant rejette toute responsabilité d'informer les acheteurs concernant des exigences spécifiques qui peuvent s'appliquer à l'utilisation des Produits dans de tels environnements.

TRANSPORT DE LA MACHINE

ATTENTION !

Avant de transporter la machine sur un camion ouvert ou une remorque, assurez-vous que :

- Toutes les portes d'accès sont bien verrouillées.
- La machine est bien attachée – Voir l'emplacement des points de fixation (30).
- Le frein de stationnement de la machine (6) est serré.

CONSIGNES DE PRUDENCE ET DE SÉCURITÉ

SYMBOLES

Nilfisk utilise les symboles reproduits ci-dessous pour attirer l'attention de l'opérateur sur des situations potentiellement dangereuses. Il est donc conseillé de lire attentivement ces indications et de prendre les mesures adéquates en vue de protéger le personnel et le matériel.

Cette machine est destinée à un usage commercial et peut, entre autres, être utilisée dans les hôtels, écoles, hôpitaux, usines et bureaux. Elle n'a donc pas été conçue pour l'entretien ménager.

DANGER !

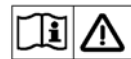
Ce symbole est utilisé pour mettre l'opérateur en garde contre les risques immédiats pouvant provoquer des dommages corporels graves, voire entraîner la mort.

ATTENTION !

Ce symbole est utilisé pour attirer l'attention sur une situation susceptible d'entraîner des dommages corporels graves.

PRUDENCE !

Ce symbole est utilisé pour attirer l'attention de l'opérateur sur une situation qui pourrait entraîner des dommages corporels minimes ou des dommages à la machine ou à d'autres équipements.



Lire toutes les instructions avant d'utiliser l'appareil.

CONSIGNES GÉNÉRALES DE SÉCURITÉ

Les consignes spécifiques de prudence et de sécurité mentionnées ici ont pour but de vous informer de la survenance de tout risque de dommages matériels ou corporels.

ATTENTION !

- Cette machine ne pourra être utilisée que par du personnel parfaitement formé et dûment autorisé.
- L'utilisation de cette machine n'est pas destinée aux personnes (notamment les enfants) qui souffrent de capacités physiques, sensorielles ou mentales diminuées, ou d'un manque d'expérience et de connaissances.
- Évitez les arrêts soudains lorsque la machine se trouve sur des rampes ou des pentes. Évitez les virages serrés. Adoptez une vitesse réduite lorsque la machine est en descente.
- Eloignez les batteries de toutes flammes, étincelles ou substance fumigène. Des gaz explosifs sont dégagés pendant le fonctionnement normal.
- De plus, du gaz hydrogène explosif s'échappe des batteries lorsqu'elles sont en charge. Ne procédez au chargement des batteries que dans une zone bien ventilée, loin de toute flamme. Ne fumez pas à proximité des batteries lorsqu'elles sont en charge.
- Otez tous vos bijoux lorsque vous travaillez à proximité de composants électriques.
- Positionnez la clé de contact sur off (O) et déconnectez les batteries avant de procéder à l'entretien des composants électriques.
- Ne travaillez jamais sous une machine sans y avoir placé, au préalable, des blocs de sécurité ou des étais destinés à soutenir la machine
- Ne déversez pas d'agents nettoyants inflammables, ne faites pas fonctionner la machine à proximité de ces agents ou d'autres liquides inflammables.
- Ne pas nettoyer le panneau de commande de l'opérateur, le panneau des disjoncteurs ou les batteries à l'aide d'un appareil de nettoyage sous pression.
- Utilisez uniquement les brosses fournies avec l'appareil ou celles spécifiées dans le manuel d'instructions. L'utilisation d'autres brosses peut mettre la sécurité en péril.
- Respectez le poids brut du véhicule (PBV) de la machine quand vous chargez, conduisez, levez ou supportez la machine.



PRUDENCE !

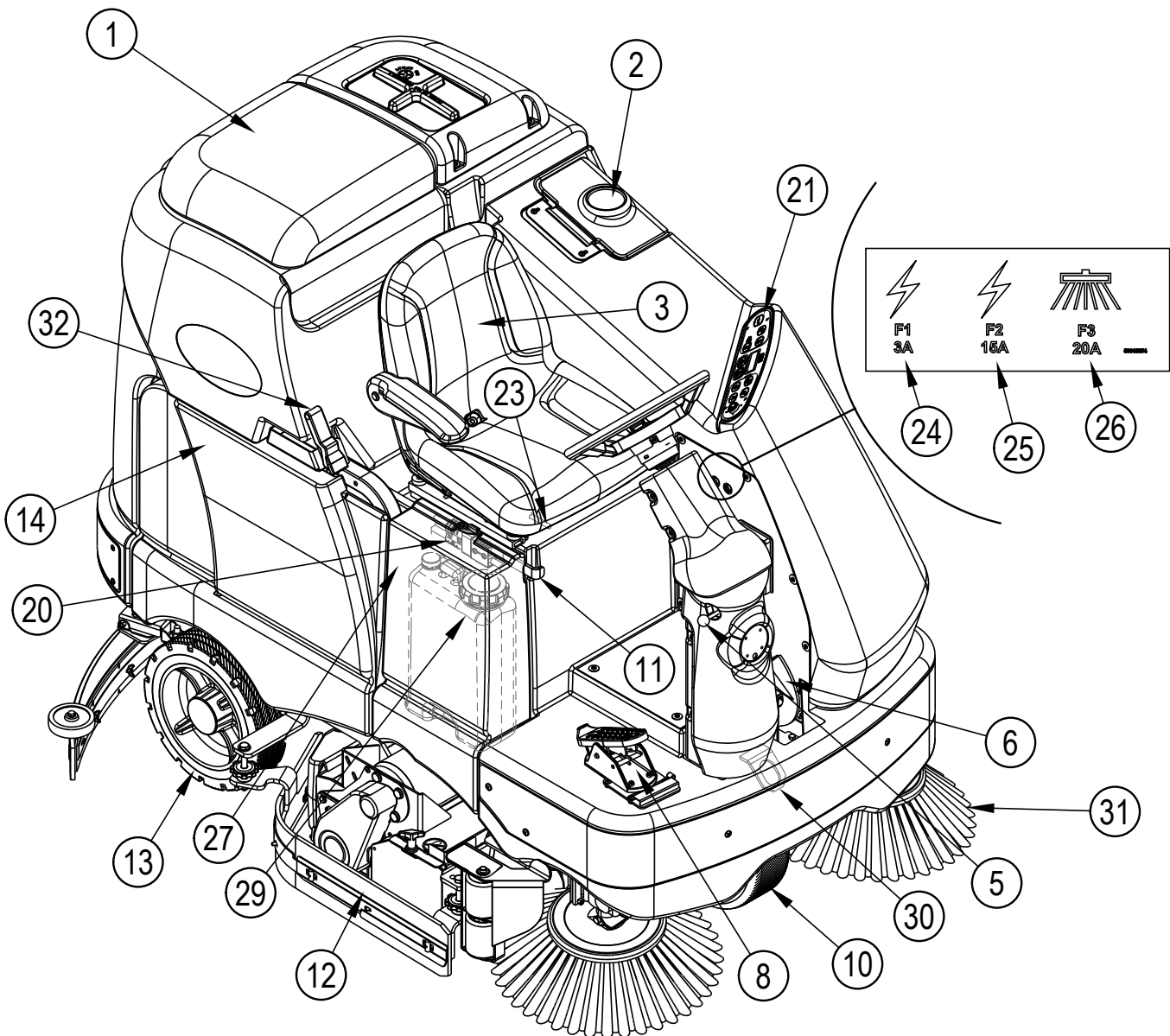
- Cette machine n'est pas conçue pour une utilisation sur les chemins ou voies publiques.
- Cette machine n'est pas conçue pour le ramassage des poussières dangereuses.
- N'utilisez pas de disques de scarificateur ni de meules. Nilfisk ne pourra en aucun cas être tenue pour responsable des dommages occasionnés à vos sols par ce type d'équipement (vous risquez également d'endommager le système d'entraînement des brosses).
- Lors de l'utilisation de cette machine, assurez-vous que des tiers, et notamment des enfants, ne courent pas le moindre risque.
- Avant de procéder à toute opération d'entretien, veuillez lire attentivement toutes les instructions qui s'y rapportent.
- Ne laissez pas la machine sans surveillance sans avoir, au préalable, coupé le contact, enlevé la clé de contact (O) et tiré le frein à main.
- Positionnez la clé de contact sur off (O) avant de remplacer les brosses ou d'ouvrir tout panneau d'accès.
- Prenez toutes les mesures nécessaires pour éviter que les cheveux, les bijoux ou les vêtements amples ne soient entraînés dans les parties mobiles de la machine.
- Faites attention lorsque vous déplacez cette machine dans un endroit où la température peut descendre sous 0°. L'eau contenue dans les réservoirs de détergent, de récupération ou de solution ou dans les conduites risquerait de geler et par là même d'endommager les valves et raccords de la machine. Rincez avec un liquide de lave-glace.
- Prenez soin d'enlever les batteries de la machine avant de mettre cette dernière au rebut. Pour ce qui est de l'élimination des batteries, conformez-vous aux réglementations locales en matière d'environnement.
- N'utilisez pas sur des surfaces dont la pente dépasse celle mentionnée sur la machine.
- Toutes les portes et couvercles doivent être dans la position mentionnée dans le manuel d'instruction avant de mettre la machine en service.

CONSERVEZ SOIGNEUSEMENT CES INSTRUCTIONS

APPRENEZ À CONNAÎTRE VOTRE MACHINE

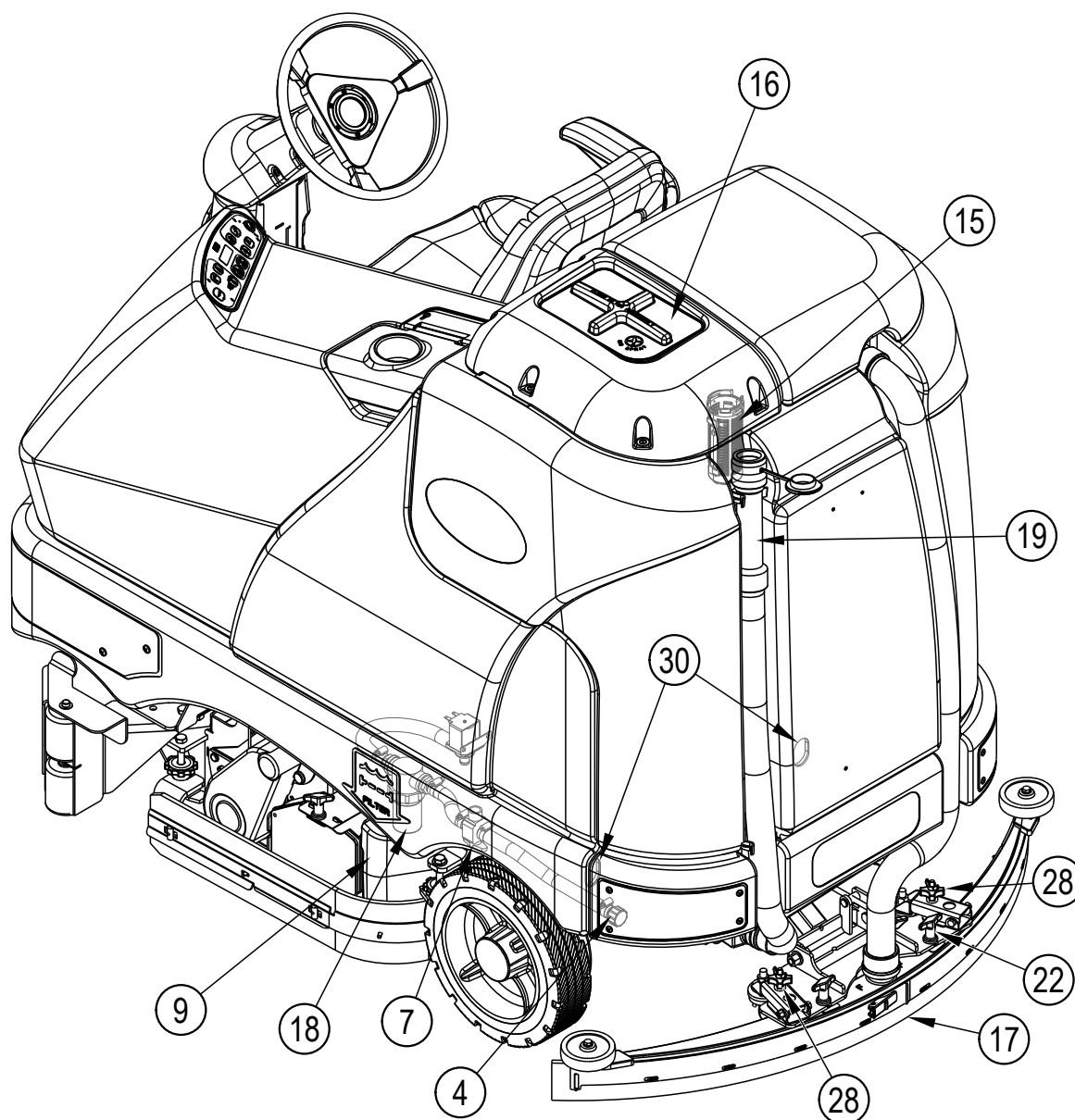
En lisant ce manuel, vous rencontrerez probablement un chiffre ou une lettre en gras et entre parenthèses, tel que : **(2)**. Ces chiffres font référence à un élément repris sur cette page, sauf indication contraire. Reportez-vous à ces pages dès que nécessaire afin de localiser avec précision un élément mentionné dans le texte. **REMARQUE** : Consultez le manuel d'entretien pour des explications détaillées sur chaque élément illustré dans les 4 pages suivantes.

- | | | | |
|----|---|----|--|
| 1 | Couvercle du réservoir de récupération | 21 | Panneau de commande |
| 2 | Couvercle du réservoir de solution | 23 | Levier de réglage du siège d'opérateur |
| 3 | Siège de l'opérateur | 24 | Disjoncteur de commande |
| 5 | Bouton de réglage de l'inclinaison du volant | 25 | Disjoncteurs auxiliaires |
| 6 | Frein de stationnement | 26 | Disjoncteur du moteur de brosse latérale |
| 8 | Pédale d'entraînement, direction/vitesse | 27 | Panneau d'accès latéral |
| 10 | Entraînement et roue directrice | 29 | Cartouche de détergent (modèles EcoFlex uniquement) |
| 11 | Bouton d'arrêt d'urgence / Déconnexion de la batterie | 30 | Points d'amarrage |
| 12 | Plate-forme de lavage | 31 | Balais latéraux (sur certains modèles uniquement) |
| 13 | Roue arrière | 32 | Système de verrouillage du réservoir de récupération |
| 14 | Compartiment de la batterie (sous le réservoir de récupération) | | |
| 20 | Connecteur de batterie de la machine | | |



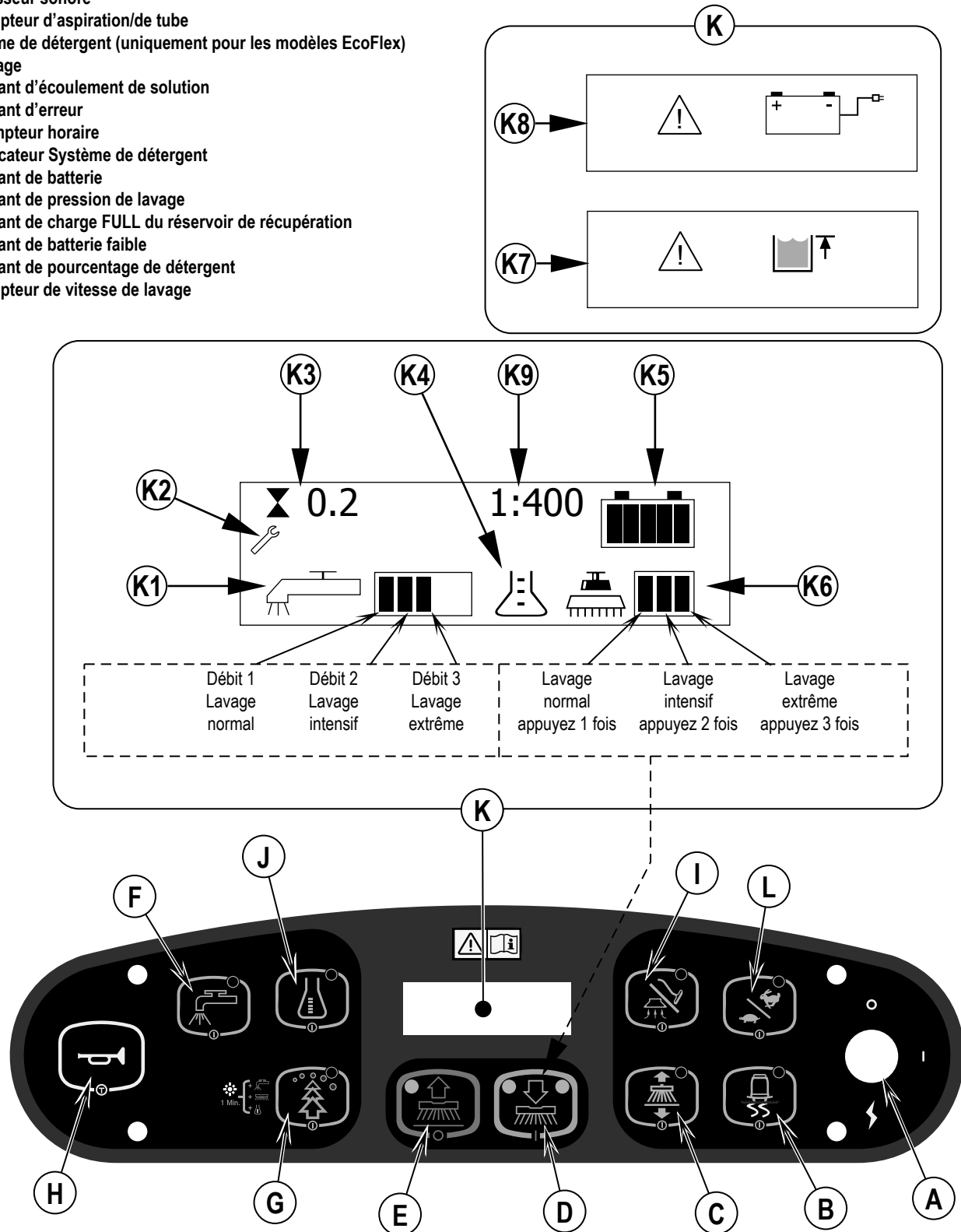
APPRENEZ À CONNAÎTRE VOTRE MACHINE

- 4 Tuyau de vidange du réservoir de solution
- 7 Vanne d'arrêt de la solution
- 9 Trémie (modèle cylindrique uniquement)
- 15 Flotteur d'arrêt du réservoir de récupération
- 16 Compartiment du filtre d'aspiration moteur
- 17 Assemblage de la raclette
- 18 Filtre de solution
- 19 Tuyau de vidange du réservoir de récupération
- 22 Bouton de réglage de l'inclinaison de la raclette
- 28 Bouton de réglage de hauteur de la raclette
- 30 Points d'amarrage



PANNEAU DE COMMANDE

- A Interrupteur principal
- B Interrupteur de commande de la traction
- C Interrupteur de brosse latérale (modèles cylindriques uniquement)
- D Lavage ON/Sélection du mode de lavage
- E Lavage OFF
- F Interrupteur de solution
- G Interrupteurs de montée en puissance
- H Avertisseur sonore
- I Interrupteur d'aspiration/de tube
- J Système de détergent (uniquement pour les modèles EcoFlex)
- K Affichage
- K1 Voyant d'écoulement de solution
- K2 Voyant d'erreur
- K3 Compteur horaire
- K4 Indicateur Système de détergent
- K5 Voyant de batterie
- K6 Voyant de pression de lavage
- K7 Voyant de charge FULL du réservoir de récupération
- K8 Voyant de batterie faible
- K9 Voyant de pourcentage de détergent
- L Interrupteur de vitesse de lavage



INSTALLATION DES BATTERIES

⚠ ATTENTION !

Soyez extrêmement vigilant lors de la manipulation des batteries. L'acide sulfurique présent dans les batteries peut occasionner des blessures graves en cas de contact avec la peau ou les yeux. La ventilation de l'hydrogène détonant présent dans les batteries est réalisée par le biais d'ouvertures pratiquées dans les bouchons de la batterie. Ce gaz peut s'enflammer en cas de contact avec un arc électrique, une étincelle ou une flamme. N'installez pas de batterie au plomb acide dans un conteneur ou un boîtier hermétique. Prévoyez l'évacuation de l'hydrogène en cas de surcharges.

Lors de l'entretien des batteries...



- * Retirez tout bijou.
- * Ne fumez pas.
- * Portez des lunettes de protection, ainsi qu'un tablier et des gants en caoutchouc.
- * Travaillez dans une zone bien aérée.
- * Veillez à ce que les outils ne touchent pas plus d'un terminal de batterie à la fois.
- * Déconnectez TOUJOURS le câble de polarité négative lors du remplacement des batteries afin d'éviter des étincelles.
- * Déconnectez TOUJOURS le câble négatif en dernier lors de l'installation des batteries.

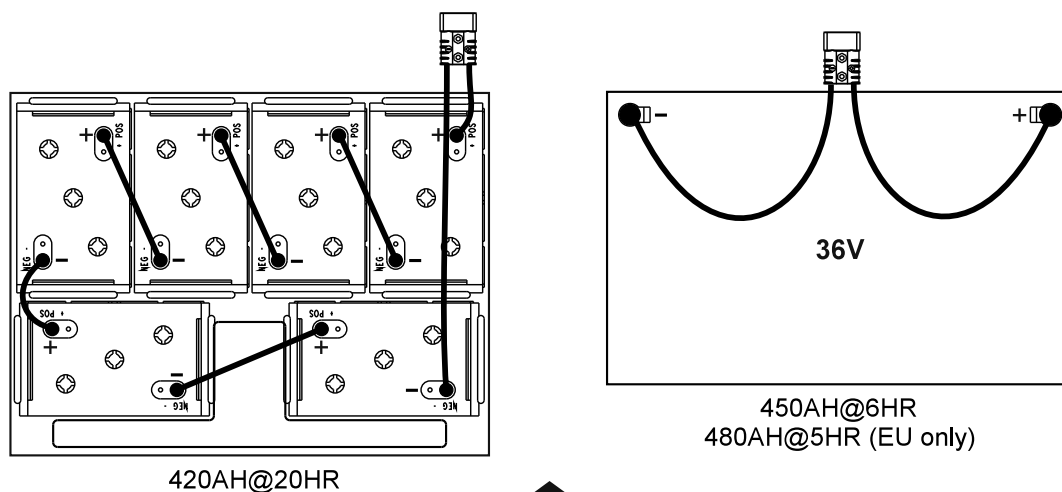
⚠ PRUDENCE !

Si les batteries ne sont pas installées et connectées correctement, les composants électriques de cette machine risquent d'être sérieusement endommagés. Nous vous conseillons de faire installer les batteries par un technicien Advance ou un électricien qualifié.

- 1 Enlevez les batteries de leur emballage et inspectez-les avec soin pour voir si elles ne sont pas endommagées. Si vous constatez un dommage, contactez immédiatement la société qui vous les a livrées ou le fabricant, afin de remplir une déclaration de dégât de fret.
- 2 Positionnez l'interrupteur d'allumage (A) sur OFF et enlevez la clé.
- 3 Retirer le réservoir de récupération de la machine. **REMARQUE** : Déconnecter l'ancrage et le câblage du moteur d'aspiration puis soulever le réservoir vers le haut et le retirer de la machine.
- 4 Votre machine vous a été livrée avec suffisamment de câbles de batterie pour pouvoir installer six batteries de 6 V. A l'aide d'au moins (2) personnes et d'une sangle de levage, placez soigneusement les batteries dans le compartiment de la batterie et disposez-les conformément à la **FIGURE 1**. Fixez les batteries le plus possible à l'avant de la machine. Si vous installez une batterie monobloc, utilisez un palan suspendu.
- 5 Installez les câbles de la batterie comme indiqué. Placez les câbles de sorte que les capuchons des batteries puissent être facilement enlevés pour l'entretien de ces dernières.
- 6 Serrez délicatement l'écrou de chaque terminal de batterie jusqu'à ce qu'il ne tourne plus. Ne serrez toutefois pas trop, ou les terminaux seront très difficiles à enlever lors des futurs entretiens.
- 7 Enduisez les terminaux avec un enduit spécialement prévu à cet effet (disponible dans la plupart des magasins de pièces automobiles).
- 8 Placez ensuite les raccords de batterie en caoutchouc noir sur chacun des terminaux et connectez le connecteur du module batterie (20).

FIGURE 1

450 AH @ 6 HR RATE
 1300 LB / 590KG
 (6)  MAX



FRONT

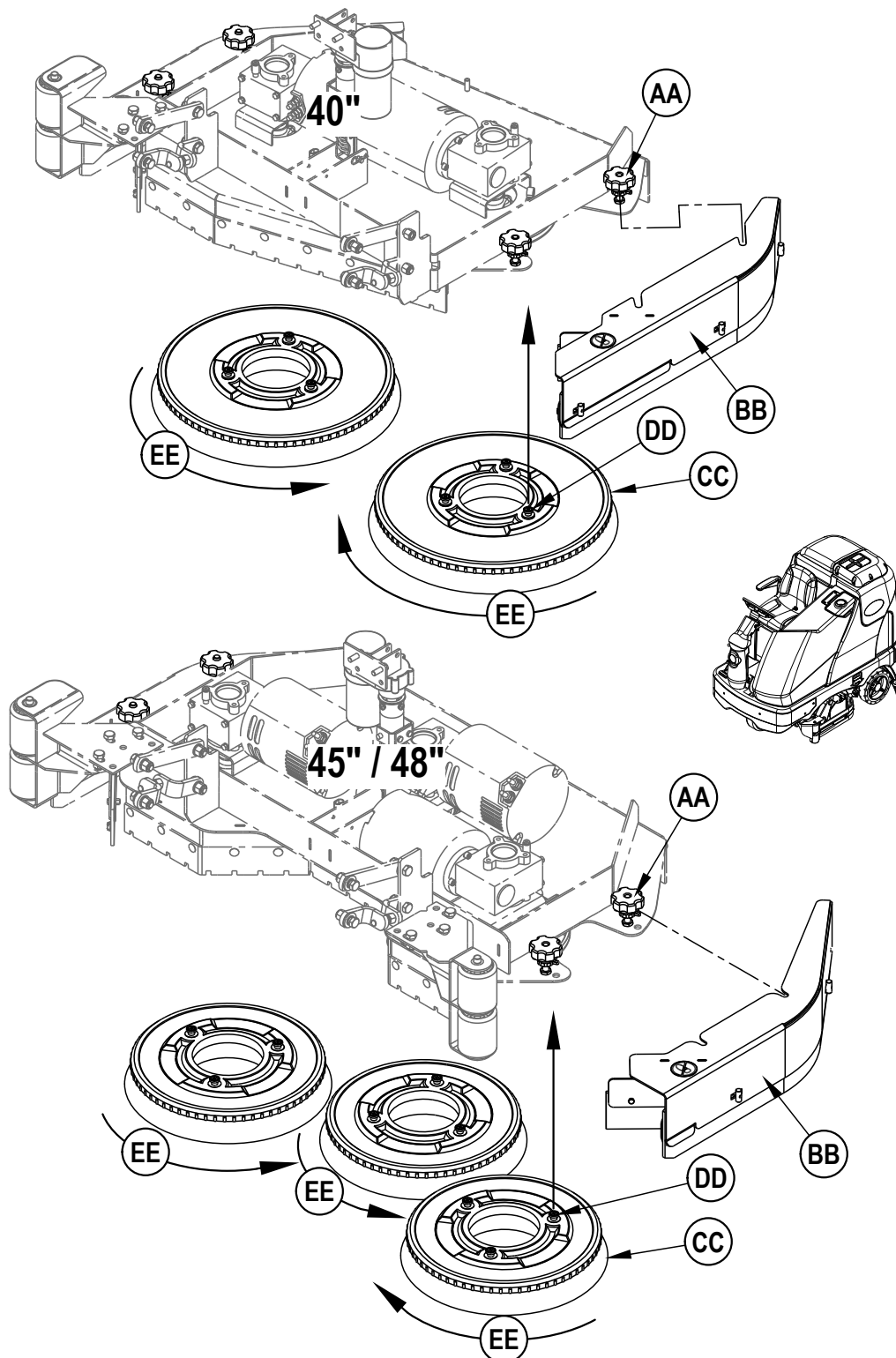
INSTALLATION DES BROSSES (SYSTÈME DISQUE)

⚠ PRUDENCE !

Positionnez la clé de contact sur off (O) avant de remplacer les brosses ou d'ouvrir tout panneau d'accès.

- 1 Assurez-vous que le plateau de récurage est en position HAUTE. Assurez-vous que l'interrupteur principal (A) est sur OFF (O).
- 2 Voir Figure 2. Retirez les deux bavettes latérales. **REMARQUE** : Les bavettes sont maintenues en place par deux gros boutons (AA). Desserrez ces boutons et faites glisser les bavettes (BB) afin de les retirer du plateau de récurage.
- 3 Pour monter les brosses (CC) (ou supports de tampon), alignez les oreilles (DD) de la brosse sur les trous du plateau de montage et faites-la tourner pour qu'ils se verrouillent en position correcte (faites tourner le bord extérieur de la brosse vers l'avant de la machine, comme indiqué (EE)).

FIGURE 2



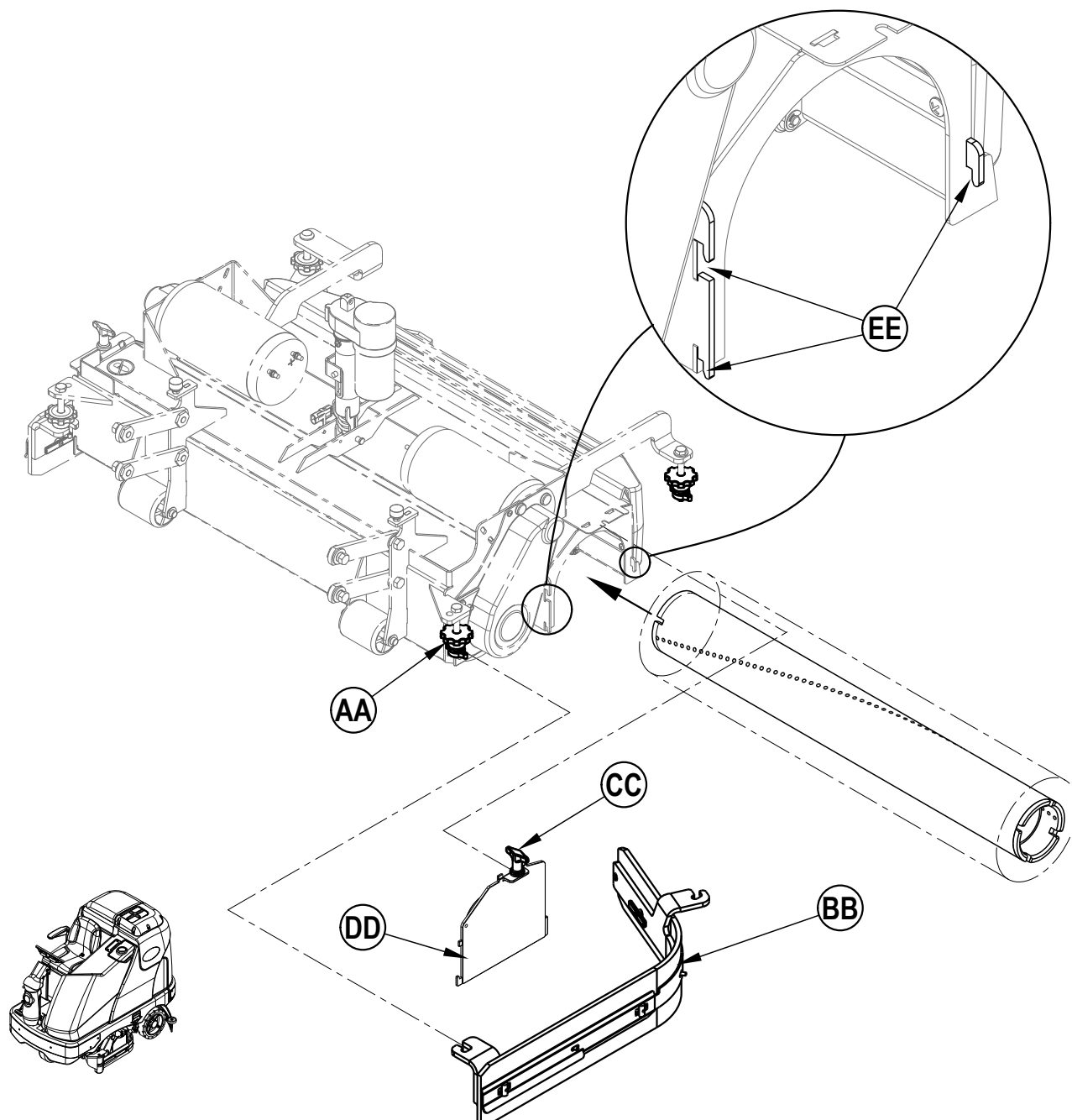
INSTALLATION DES BROSSES (SYSTÈME CYLINDRIQUE)

⚠ PRUDENCE !

Positionnez la clé de contact sur off (O) avant de remplacer les brosses ou d'ouvrir tout panneau d'accès.

- 1 Assurez-vous que le plateau de récurage est en position HAUTE. Assurez-vous que l'interrupteur principal (A) est sur OFF (O).
- 2 Voir Figure 3. Retirez les deux bavettes latérales. **REMARQUE** : Les bavettes sont maintenues en place par deux gros boutons (AA). Desserrez ces boutons, faites glisser les bavettes (BB) légèrement vers l'avant et retirez-les du plateau de récurage.
- 3 Desserrez les boutons noirs (CC) situés sur les bras de renvoi (DD) afin qu'ils descendent suffisamment pour ne plus être maintenus par les encoches (EE) et retirez-les.
- 4 Faites glisser la brosse dans le compartiment, soulevez-la légèrement et poussez en tournant jusqu'à ce qu'elle soit en position. Réinstallez les bras de renvoi (DD) et les bavettes (BB).

FIGURE 3



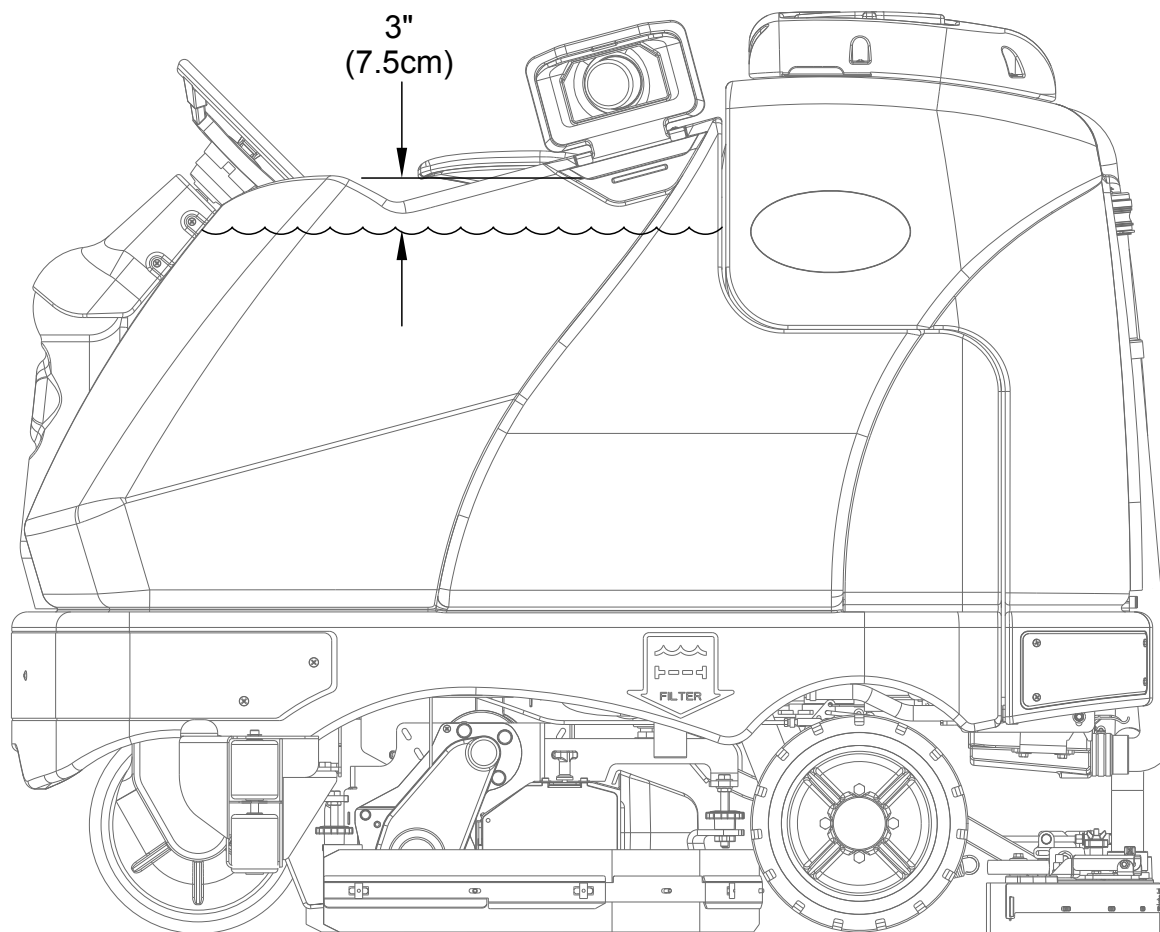
REPLISSAGE DU RÉSERVOIR DE SOLUTION

Voir Figure 4. Remplissez le réservoir de solution avec 70 gallons (264 litres maximum) de solution de lavage. Ne remplissez pas le réservoir de solution à plus de 7,5 cm à partir du bas du réservoir (2). La solution doit se composer d'eau et d'un agent chimique adapté à la tâche de lavage à effectuer. Conformez-vous toujours aux instructions figurant sur le récipient contenant l'agent chimique. **REMARQUE :** Les machines EcoFlex™ peuvent être utilisées de manière classique en mélangeant du détergent dans le réservoir ou à l'aide du système de distribution de détergent. Si vous utilisez le système de distribution de détergent, ne mélangez pas de détergent dans le réservoir et utilisez de l'eau pure.

⚠ ATTENTION !

Veillez à n'utiliser que des produits de lavage peu moussants et ininflammables adaptés aux machines de lavage. La température de l'eau ne devrait pas dépasser 54,4 degrés Celsius (130 degrés Fahrenheit)

FIGURE 4

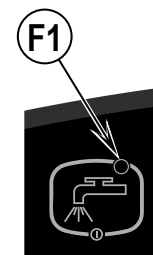


VOYANT DU SYSTÈME DE SOLUTION (F1) :

Voir Figure 4.1.

- Le voyant s'allume quand le système de solution est activé et/ou mis en marche.
- Le voyant est éteint lorsque le système de récurage est arrêté.
- Le voyant clignote quand l'interrupteur à flotteur du réservoir de solution (niveau de liquide) détecte un faible niveau de solution.

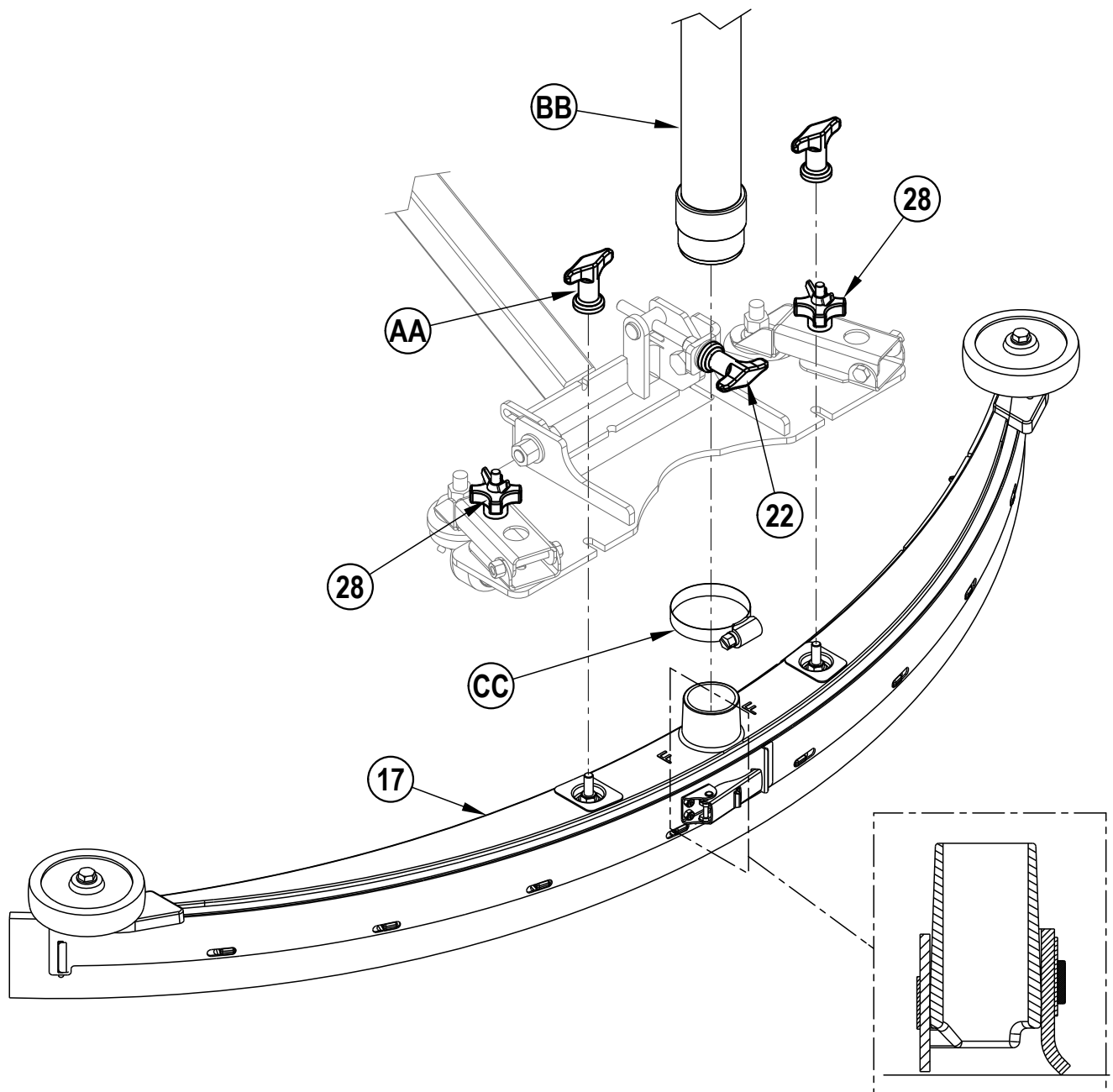
FIGURE 4.1



INSTALLATION DE LA RACLETTE

- 1 Consultez la Figure 5. Faites glisser le dispositif de raclage (17) sur le dispositif de fixation de la raclette (AA) et vissez les écrous à ailettes du support de la raclette (AA).
- 2 Reliez le tuyau de récupération (BB) à l'entrée de la raclette à l'aide de l'étrier du tuyau (CC).
- 3 Respectez les indications données au chapitre "Réglage du racloir" afin de régler correctement la hauteur et l'angle du racloir.

FIGURE 5



PRÉPARATION ET UTILISATION DU SYSTÈME DE DÉTERGENT (MODÈLES ECOFLEX UNIQUEMENT)

La cartouche de détergent (29) est située derrière le panneau d'accès latéral (27). Remplissez la cartouche de détergent avec 8,32 litres (2,2 gallons) de détergent, maximum. **NOTE DE SERVICE** : Enlevez la cartouche de la boîte de détergente avant le remplissage, et ce, pour éviter de renverser du détergent sur l'appareil. Il est recommandé d'utiliser une cartouche séparée pour chaque détergent que vous prévoyez utiliser. Les cartouches de détergent comportent une décalcomanie blanche sur laquelle vous pouvez écrire le nom du détergent afin d'éviter de les mélanger. En passant à un détergent différent, le système devrait être purgé du détergent précédent. En installant une nouvelle cartouche, enlever le bouchon (AA) et placer la cartouche dans la boîte de détergent. Mettez le bouchon à raccord rapide (BB) et le tuyau de détergent comme indiqué.

En cas de changement de détergent, il convient de purger le système du détergent utilisé précédemment. **NOTE DE SERVICE** : Déplacez l'appareil sur le siphon de sol avant de le purger car lors de cette opération une petite quantité de détergent sera évacuée.

Pour purger l'appareil en cas de changement de détergent (les SYSTÈMES DE POLISSAGE ET DE SOLUTION DOIVENT ÊTRE COUPÉS) :

- 1 Débranchez la cartouche de détergent et enlevez-la
- 2 Mettez le commutateur principal (A) en position de marche (ON). Appuyez sur l'interrupteur de solution (F) et sur le commutateur de Détergent (J) et maintenez-les enfoncés pendant 3 secondes. Relâchez les deux interrupteurs dès que l'icône de purge du détergent (K10) apparaît sur l'écran et que le voyant du commutateur de Détergent (J1) commence à clignoter. **REMARQUE** : Une fois activé, le processus de purge prend 10 secondes. Voir sur l'illustration de la page suivante l'emplacement des voyants du système de détergent. En règle générale, un cycle de purge est suffisant pour purger le système.

Pour purger l'appareil une fois par semaine (LES SYSTÈMES DE POLISSAGE ET DE SOLUTION DOIVENT ÊTRE COUPÉS) :

- 1 Débranchez la cartouche de détergent et enlevez-la. Installez une cartouche et branchez-la après l'avoir remplie d'eau propre
- 2 Mettez le commutateur principal (A) en position de marche (ON). Appuyez sur l'interrupteur de solution (F) et sur le commutateur de Détergent (J) et maintenez-les enfoncés pendant 3 secondes. Relâchez les deux interrupteurs dès que l'icône de purge du détergent (K10) apparaît sur l'écran et que le voyant du commutateur de Détergent (J1) commence à clignoter. **REMARQUE** : Une fois activé, le processus de purge prend 10 secondes. Voir sur l'illustration de la page suivante l'emplacement des voyants du système de détergent. En règle générale, un cycle de purge est suffisant pour purger le système.

Lorsque le niveau de détergent atteint le fond de la cartouche, il est temps de remplir ou de remplacer la cartouche.

NOTE DE SERVICE : Reportez-vous aux instructions «Purge hebdomadaire» ci-dessus si la machine doit être range pendant une période prolongée ou si vous prévoyez de ne plus utiliser le système de détergent.

Pourcentage de détergent (LE SYSTÈME DE POLISSAGE DOIT ÊTRE ACTIVÉ) :

Aucune quantité de détergent n'est pulvérisée tant que les systèmes de polissage et de détergent ne sont pas activés et que la pédale de commande (8) n'est pas manœuvrée vers l'avant.

- L'icône du détergent (K4) est systématiquement affichée lorsque le système de détergent est activé.

On distingue 4 modes de fonctionnement EcoFlex :

1. Mode de nettoyage à l'eau du robinet – Pendant le polissage, le système de détergent peut être désactivé à tout moment. Il suffit pour cela d'appuyer sur l'interrupteur de Marche/Arrêt (ON/OFF) de détergent (J) pour que le polissage ne s'effectue qu'à l'eau. Le voyant de Détergent (J1) doit être ÉTEINT.
2. Mode Détergent en concentration minimum – Voyant d'alimentation (G1) ALLUMÉ (Activé en appuyant pendant quelques secondes sur l'Interrupteur de montée en puissance (G) en mode détergent en concentration maximum). Voir-ci-dessous la procédure pour "Programmer le niveau de détergent minimum".
3. Mode Détergent en concentration maximum – Voyant d'alimentation (G1) ÉTEINT (Activé en appuyant et en maintenant l'Interrupteur de montée en puissance (G) enfoncé pendant 2 secondes). Voir-ci-dessous la procédure pour "Programmer le niveau de détergent maximum". Ne pas utiliser un niveau de concentration de détergent supérieur à celui indiqué par le fabricant.
4. Mode de nettoyage par montée en puissance – Appuyez sur l'interrupteur de montée en puissance (G) pour augmenter le pourcentage de détergent pendant une minute jusqu'à atteindre les niveaux de détergent à la "concentration maximum" préprogrammés (comme indiqué dans les instructions de programmation ci-dessous). Ceci entraîne également une augmentation du débit de solution qui passe au niveau supérieur et une augmentation de la pression de polissage qui passe au niveau supérieur. Le voyant de montée en puissance (G1) clignote pendant une minute.

Pour programmer le niveau de détergent à la concentration maximum

1. Appuyez sur l'interrupteur de polissage OneTouch™ (D) pour activer le système de polissage.
2. Appuyez sur l'interrupteur de Montée en puissance (G) et maintenez-le enfoncé pendant environ 2 secondes jusqu'à ce que le voyant (G1) s'ÉTEIGNE (mode de détergent en concentration maximum).
3. Appuyez sur l'interrupteur de détergent et maintenez-le enfoncé pendant environ 2 secondes jusqu'à ce que le voyant (J1) clignote.
4. Pendant que ce voyant clignote, le fait d'appuyer et de relâcher l'interrupteur de détergent permet de faire défiler les différents taux de concentration possibles (400:1, 300:1, 256:1, 200:1, 150:1, 128:1, 100:1, 64:1, 50:1, 32:1).
5. Lorsque le taux de concentration désiré s'affiche sur l'écran (K9), cessez d'appuyer ; la valeur désirée sera enregistrée au bout de 3 secondes.
6. Si la valeur de la concentration maximum de détergent est réglée sur une valeur inférieure au niveau de concentration minimum programmé, la valeur par défaut de concentration minimum sera égale au taux de concentration maximum défini tant que celui-ci ne sera pas modifié par l'opérateur.

Pour programmer le niveau de détergent à la concentration minimum

1. Appuyez sur l'interrupteur de polissage OneTouch™ (D) pour activer le système de polissage.
2. Vérifiez que le voyant de montée en puissance (G1) est ALLUMÉ (mode détergent en concentration minimum).
3. Appuyez sur l'interrupteur de détergent et maintenez-le enfoncé pendant environ 2 secondes jusqu'à ce que le voyant (J1) clignote.
4. Pendant que ce voyant clignote, le fait d'appuyer et de relâcher l'interrupteur de détergent permet de faire défiler les différents taux de concentration possible (Note : Seuls les taux correspondant à une concentration inférieure ou égale à la valeur maximum définie apparaissent).
5. Lorsque le taux de concentration désiré s'affiche à l'écran (K9), cessez d'appuyer ; la valeur désirée sera enregistrée au bout de 3 secondes.

Une fois réglé, le débit de détergent augmente et diminue automatiquement en fonction du débit de solution, mais le taux de concentration du détergent reste le même.

PRÉPARATION ET UTILISATION DU SYSTEME DE DÉTERGENT (MODÈLES ECOFLEX UNIQUEMENT)

FIGURE 6

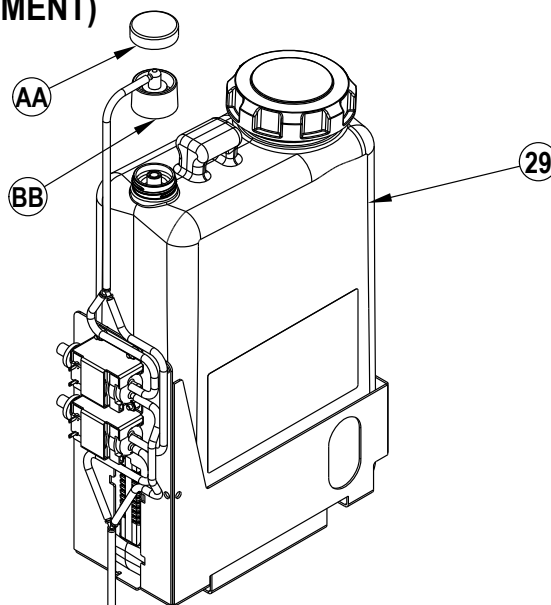
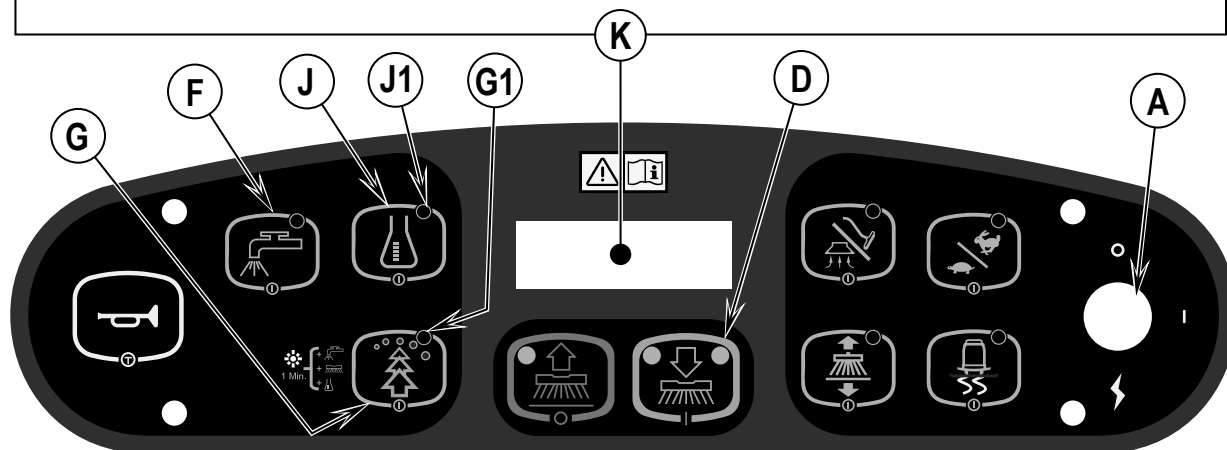


FIGURE 7

<p>0.2 K10</p>	<p>Purge Appuyez sur les interrupteurs (J) et (F) pendant 3 secondes pour purger le circuit.</p>
<p>0.2 K4 1:400 K9</p>	<p>Concentration minimum Mode détergent</p>
<p>0.2 1:200</p>	<p>Concentration maximum Mode détergent</p>



FONCTIONNEMENT DE LA MACHINE

⚠ ATTENTION !

Assurez-vous que vous maîtrisez bien les boutons de commande et leurs fonctions.

Évitez les arrêts subits lorsque la machine est chargée et se trouve sur des rampes ou des plans inclinés. Évitez les virages serrés. Adoptez une vitesse réduite lorsque la machine est en descente.

Pour le nettoyage...

Conformez-vous aux instructions figurant dans la section « Préparation de la machine » du présent manuel.

- 1 **Voir Figure 8.** Lorsque vous êtes assis sur la machine, utilisez les boutons de réglage **(23)** et **(5)** pour positionner le volant afin de travailler dans une position confortable.
- 2 Positionnez l'interrupteur principal **(A)** sur ON (I). Cela affiche les voyants lumineux du panneau de commande. Vérifiez le voyant d'état de la batterie **(K5)** et le compteur horaire **(K3)** avant d'utiliser la machine.
- 3 Desserrez le frein de stationnement **(6)**. Pour conduire la machine sur la zone de travail, appliquez une pression identique avec votre pied sur l'avant de la Pédale d'entraînement **(8)** pour avancer et sur l'arrière de la pédale pour reculer. Appuyez plus ou moins fort sur la pédale afin d'obtenir la vitesse souhaitée.
- 4 Maintenez l'interrupteur de solution **(F)** enfoncé pendant 5 secondes afin de pré-humidifier le sol. **REMARQUE** : de cette manière, vous éliminez tout risque d'endommager vos sols en commençant à nettoyer avec des brosses sèches. Faites cela avant d'appuyer sur l'interrupteur Lavage ON **(D)**.
- 5 Appuyez sur l'interrupteur de mise en marche du Polissage **(D)** une fois, pour un polissage ordinaire, deux fois pour un polissage intensif et trois fois pour un polissage maximum. Le débit de solution et le débit de détergent (modèles EcoFlex) comportent 3 valeurs pré-réglées correspondant aux 3 modes de polissage (Voir le chapitre Panneau de commande).

REMARQUE : Une fonction d'inhibition du débit de solution pré-réglé permet d'augmenter le débit de solution sans augmenter la pression de polissage. Maintenez l'interrupteur de Solution **(F)** enfoncé pendant 3 secondes (le voyant de solution commence à clignoter) puis relâchez-le. Vous disposez alors de 3 secondes pour sélectionner un débit différent ; il suffit pour cela d'appuyer sur l'interrupteur de Solution **(F)** de manière répétée jusqu'à ce que le voyant de débit de Solution **(K1)** affiche la valeur désirée (de 1 à 5 / voir le chapitre Panneau de commande). Le fait de régler à nouveau la pression de polissage aura pour effet de réinitialiser le débit de solution à sa valeur par défaut.

- 6 Lorsque vous actionnez l'interrupteur de mise en marche du polissage **(D)**, les brosses, le racloir et les balais latéraux (modèles cylindriques) s'abaissent automatiquement et viennent se poser sur le sol. Les systèmes de polissage, de solution, de vide, de détergent (modèles EcoFlex) et les balais latéraux (modèles cylindriques) sont automatiquement activés et se mettent en marche dès que l'opérateur appuiera sur la pédale de commande **(8)**. Chacun de ces systèmes peut être désactivés individuellement ou remis en marche ; il suffit pour cela d'appuyer sur l'interrupteur correspondant à tout moment lors du polissage.

REMARQUE : Lorsque la machine fonctionne en marche arrière, la raclette se relève automatiquement.

- 7 Faites progresser la machine en ligne droite à une vitesse de 4-5 km/h en veillant à ce que les passages se chevauchent sur bande de 2-3 pouces (50-75 mm). Réglez le flux de solution et la vitesse de la machine en fonction de l'état du sol que vous traitez.

REMARQUE : Pour augmenter la vitesse de polissage, appuyez sur l'interrupteur de vitesse de polissage **(L)**. La vitesse de polissage maximum par défaut est inférieure à la vitesse maximum de transport. Le fait d'appuyer sur cet interrupteur inhibe cette valeur par défaut et permet d'effectuer le polissage à la vitesse de transport maximum.

Si vous nettoyez une surface au sol lisse ou que vous effectuez un récurage en deux passes, le fait d'activer le bouton Traction Control™ **(B)** régule la force de torsion de la roue d'entraînement, ce qui permet d'accroître le contrôle et d'améliorer la traction sur le sol.

Vous pouvez régler la hauteur des brosses latérales. Voir la section « Maintenance des brosses latérales » dans le présent manuel.

⚠ PRUDENCE !

Pour éviter d'endommager le sol, maintenez toujours la machine en mouvement lorsque les brosses tournent.

- 8 Lorsque vous nettoyez, assurez-vous que, après votre passage, il ne reste plus d'eau sur le sol. Si vous remarquez des traînées d'eau derrière la machine, il se peut que cette dernière dispense trop de solution, que le réservoir de récupération soit rempli ou que la raclette soit mal réglée.
- 9 Par défaut, la machine se règle automatiquement sur le dernier mode de nettoyage utilisé au taux de concentration de détergent Minimum ou Maximum (si du détergent est utilisé et activé). Appuyez sur l'interrupteur de montée en puissance **(G)** pour inhiber le mode de nettoyage sélectionné et augmenter temporairement la pression de polissage, le débit de solution et le taux de concentration du détergent (à moins que celui-ci soit réglé sur une concentration Maximum). Le voyant se met alors à clignoter pendant une minute, le débit de solution augmente passant au niveau supérieur, la pression de polissage augmente, passant au niveau supérieur et le taux de concentration du détergent passé au niveau maximum (le système de détergent sera activé s'il était éteint).
- REMARQUE** : Le fait d'appuyer sur l'interrupteur de Montée en puissance **(G)** et de le maintenir enfoncé pendant 2 secondes permet de basculer entre le mode de fonctionnement en concentration maximum et minimum. Le système EcoFlex ne fonctionnera que si le système de polissage **(D)** a été activé.
- 10 Dans le cas de sols extrêmement sales, il se peut qu'un seul passage ne suffise pas et que vous deviez adopter la technique des « deux passages ». Cette technique est fort semblable à la méthode habituelle. La seule différence réside dans le fait que lors du premier passage, la raclette n'est pas abaissée (appuyez sur l'interrupteur Aspirateur/Tube **(I)** pour soulever la raclette). Les produits de lavage peuvent ainsi agir plus longtemps sur le sol. Lors du deuxième et dernier passage, la raclette est abaissée afin de ramasser l'eau et la solution accumulée.
- 11 Le réservoir de récupération est équipé d'un flotteur de fermeture **(15)** qui ARRETE TOUS les systèmes, à l'exception du système d'entraînement, lorsque le réservoir est plein. Si ce flotteur est activé, veillez à ce que le réservoir de récupération soit vidé. Lorsque ce flotteur est activé, la machine ne ramasse plus d'eau et arrête de laver.
- REMARQUE** : Tous les autres voyants s'éteignent et le voyant « Réservoir de récupération PLEIN » **(K7)** apparaît sur le panneau d'affichage lorsque le flotteur est activé. Si le panneau de contrôle indique Full alors que le réservoir n'est pas rempli, il est possible de désactiver ce système de fermeture automatique à flotteur. Pour ce faire, faites appel à un technicien qualifié qui consultera le manuel d'entretien.
- 12 Lorsque l'opérateur souhaite arrêter de nettoyer ou lorsque le réservoir est plein, il doit appuyer une fois sur l'interrupteur récurage OFF **(E)**. De cette manière, les brosses de lavage et le flux de solution sont automatiquement arrêtés et le plateau de lavage est relevé. La raclette remonte et l'aspiration s'arrête après une courte période (afin de pouvoir ramasser les éventuels restes d'eau sans devoir réactiver l'aspiration).
- 12 Conduisez la machine vers un « SITE DE DECHARGE » des eaux usées et videz le réservoir de récupération. Pour le vider, tirez le tuyau de vidange **(19)** de son dispositif de rangement arrière, puis retirez le bouchon (maintenez l'extrémité au-dessus du niveau d'eau du réservoir afin d'éviter tout déversement accidentel d'eaux usées). Remplissez à nouveau le réservoir de solution et poursuivez le lavage.

REMARQUE : Assurez-vous que le couvercle du réservoir de récupération **(1)** et le bouchon du tuyau de vidange du réservoir de récupération **(19)** sont bien en place, ou la machine ne ramassera pas l'eau correctement.

Lorsque les batteries doivent être rechargées, le voyant de batterie faible **(K8)** s'allume, les brosses de récurage et le débit de solution s'arrêtent et le plateau de récurage s'élève. La raclette s'élève et l'aspiration s'arrête après une courte période. Transportez la machine vers une zone de maintenance et rechargez les batteries conformément aux instructions figurant dans la section Batterie de ce manuel.

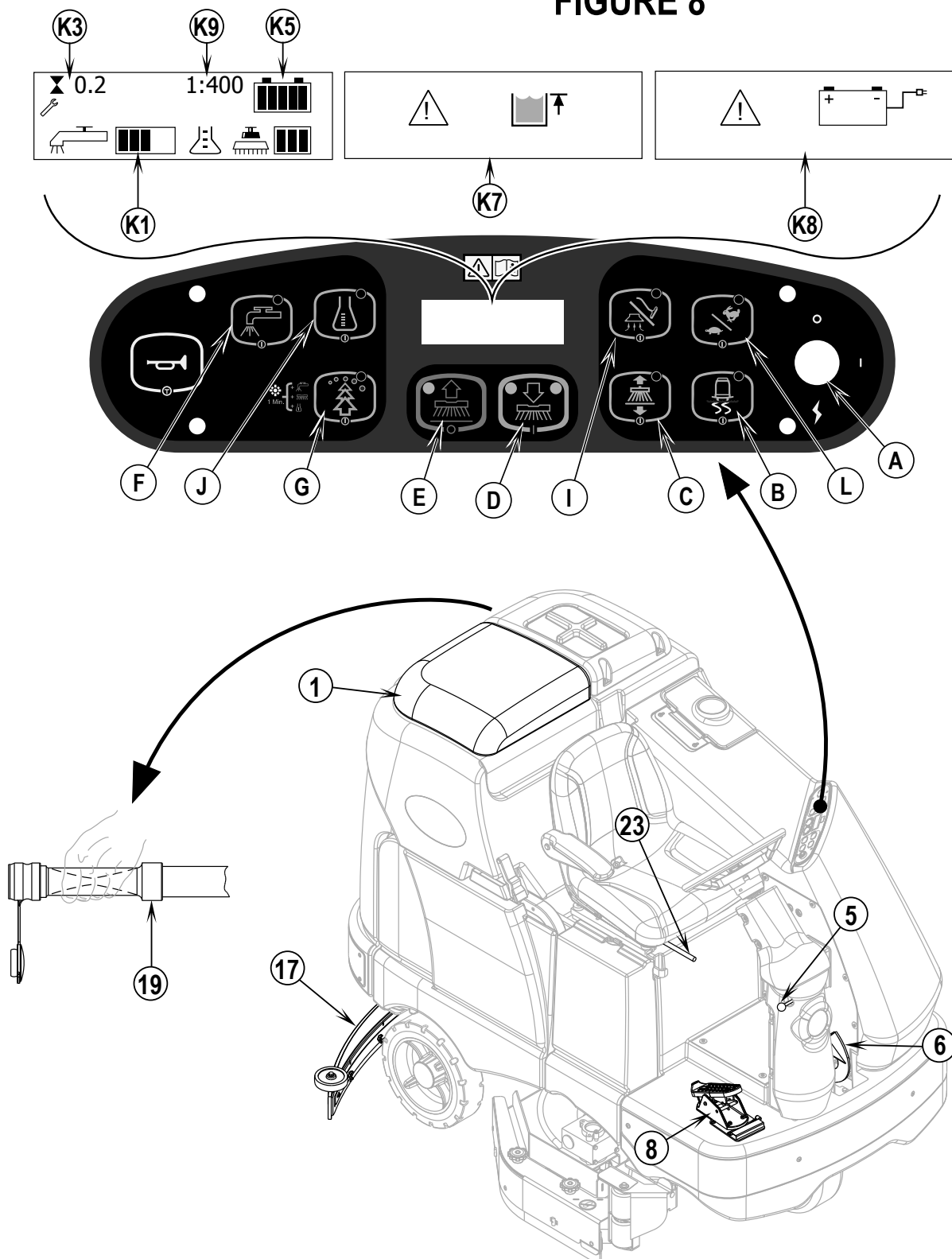
ASPIRATION HUMIDE

Suivez ces étapes afin d'équiper la machine des accessoires nécessaires à l'aspiration humide.

- 1 Déconnectez le tuyau de récupération de la raclette (17). Connectez le coupleur et le tube du kit de rallonge au tuyau de récupération.
- 2 Attachez au tuyau les accessoires adaptés au ramassage humide. (Nilfisk propose un Kit de rallonges d'aspiration PN56413687 en option).
- 3 Positionnez l'interrupteur à clé principal (A) sur ON (marche), puis appuyez sur l'interrupteur Aspirateur/Tube (I). La pompe et le moteur d'aspiration continueront de tourner jusqu'à ce que l'opérateur appuie une nouvelle fois sur l'interrupteur pour l'éteindre. **REMARQUE** : Le voyant « Réservoir de récupération PLEIN » est éteint lorsque le mode rallonge est activé. Le flotteur arrête le débit dans le réservoir de récupération.

NOTE POUR L'ENTRETIEN : Consultez le manuel d'entretien pour de plus amples informations de fonctionnement sur toutes les commandes et programmes en option.

FIGURE 8



APRÈS UTILISATION

- 1 Une fois le récurage terminé, appuyez sur l'interrupteur d'arrêt de récurage (E). Cela permet d'élever, rétracter et arrêter tous les systèmes de la machine (brosse, raclette, aspiration, solution et détergent (modèles EcoFlex™)). Conduisez ensuite la machine dans une zone de service où un technicien procédera à son entretien quotidien et effectuera les éventuelles réparations.
- 2 Pour vider le réservoir de solution, tirez le tuyau de vidange (4) de son dispositif de rangement. Dirigez le tuyau de vidange vers un «SITE DE DECHARGE» des eaux usées et enlevez le bouchon. Rincez le réservoir à l'eau claire.
- 3 Pour vider le réservoir de récupération, tirez le tuyau de vidange (19) de son dispositif de rangement. Dirigez le tuyau de vidange vers un «SITE DE DECHARGE» des eaux usées et enlevez le bouchon (maintenez l'extrémité au-dessus du niveau d'eau du réservoir afin d'éviter tout déversement accidentel d'eaux usées). Vous pouvez également presser le tuyau de vidange du réservoir de récupération pour réguler le flux. Rincez le réservoir de récupération à l'eau claire. Vérifiez les tuyaux de récupération et d'aspiration et remplacez-les s'ils sont endommagés ou présentent une quelconque anomalie.
- 4 Enlevez les supports de brosses ou de tampons. Rincez les brosses ou tampons à l'eau chaude et penchez-les pour qu'ils sèchent.
- 5 Enlevez la raclette, rincez-la à l'eau chaude et remettez-la en place.
- 6 Sur les systèmes cylindriques, enlevez la trémie et nettoyez-la convenablement. Vous pouvez enlever la trémie d'un côté de la machine en retirant le système de bavettes. Lorsque vous tirez la trémie hors de la machine, vous devez l'incliner légèrement vers le haut.
- 7 Consultez le calendrier d'entretien ci-dessous et, si nécessaire, effectuez les vérifications nécessaires avant de ranger la machine.

CALENDRIER D'ENTRETIEN

ELEMENT	Chaque jour	Chaque semaine	Chaque mois	Chaque année
Chargement des batteries	X			
Vérification / nettoyage des réservoirs et tuyaux	X			
Vérification/lavage/rotation des brosses/tampons	X			
Vérification/lavage de la raclette	X			
Vérification / nettoyage du flotteur d'arrêt d'aspiration	X			
Vérification/nettoyage du ou des filtres en mousse du moteur d'aspiration	X			
Lavage de la trémie sur le système cylindrique	X			
Vérification du niveau d'eau de chaque cellule de batterie		X		
Inspection des bavettes du dispositif de lavage		X		
Inspection et lavage du filtre de solution		X		
Vérification du réglage et de l'usure du frein au pied/de stationnement		X		
Nettoyage des conduites de solution sur le système cylindrique		X		
Vidange du système de détergent (uniquement pour les modèles EcoFlex)		X		
Entretien de la brosse latérale.		X		
Lubrification - Raccords de graissage			X	
* Vérification des brosses de carbone				X

* Demandez à un technicien Nilfisk de vérifier les brosses de carbone du moteur d'aspiration une fois par an ou toutes les 300 heures de fonctionnement. Les brosses de carbone des moteurs des brosses et d'entraînement doivent être vérifiées chaque année ou toutes les 500 heures de fonctionnement.

REMARQUE : pour de plus amples informations sur l'entretien et les pièces de rechange, reportez-vous au Manuel d'entretien.

- 8 Rangez la machine dans une zone de stockage intérieure ou dans un endroit sec et propre. Gardez-la à l'abri du gel. Laissez les réservoirs ouverts pour les aérer.
- 9 Positionnez l'interrupteur d'allumage (A) sur OFF (O) et enlevez la clé.
- 10 Les batteries sont les éléments qui coûtent le plus cher à remplacer sur cette machine. Afin de protéger votre investissement et de pouvoir effectuer un nombre maximum de cycles avec les batteries, respectez les consignes suivantes :
 - Les batteries dureront plus longtemps si elles sont en permanence chargées au maximum.
 - Les batteries fournies avec cette machine ne comportent pas de mémoire.
 - Les batteries dureront plus longtemps et fonctionneront mieux si elles sont rechargées lorsque cela est nécessaire.
 - Les chargeurs de batterie ne doivent pas «surcharger» ou au contraire charger insuffisamment les batteries.
 - Les batteries s'useront plus rapidement si elles sont stockées déchargées.
 - Tous les jours, après utilisation, branchez le chargeur et laissez le brancher jusqu'à ce que les batteries soient complètement chargées.

LUBRIFICATION DE LA MACHINE – FIGURE 9

Une fois par mois, mettez un peu de graisse sur chaque raccord de graissage de la machine jusqu'à ce que la graisse coule autour des roulements.

Graissez les zones de raccordement (ou appliquez de la graisse) (AA) :

- Axe et pivot de la roue de la raclette
- Joint universel de l'arbre de direction
- Chaîne de direction
- Filetage des boutons de réglage d'inclinaison de la raclette

Une fois par mois, appliquez de l'huile pour appareil léger ou un lubrifiant synthétique en vaporisateur afin de lubrifier la machine (BB) :

- Roues aux extrémités de la raclette
- Câble de la pédale de frein (frein à main)
- Boutons de réglage de la hauteur de la jupe latérale

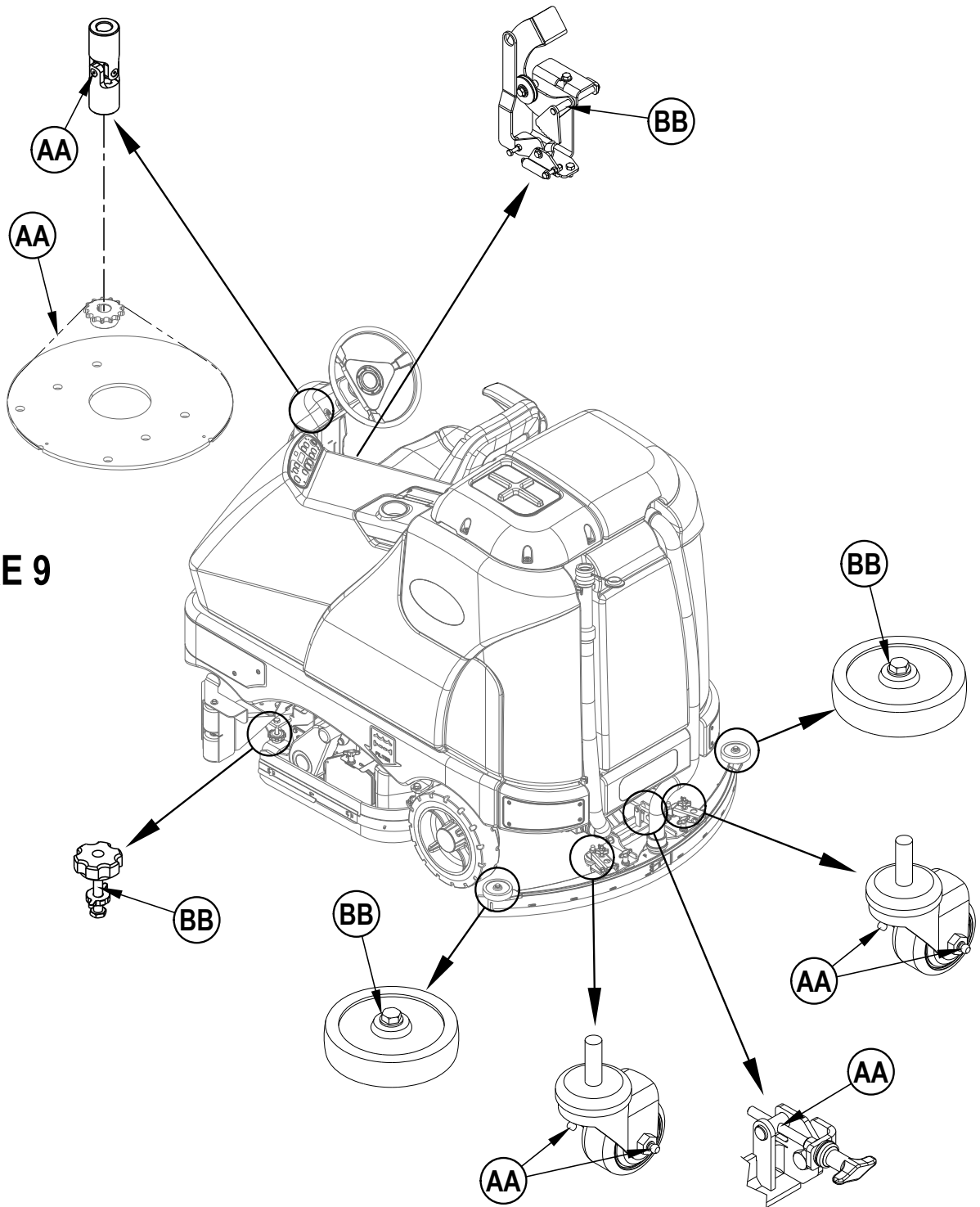


FIGURE 9

CHARGEMENT DES BATTERIES

Chargez les batteries à chaque utilisation de la machine ou lorsque le voyant de la batterie (K5) indique qu'elle n'est pas complètement chargée.

Pour charger les batteries...

- 1 Voir Figure 10. Appuyez sur le bouton de déconnexion de la batterie (11).
- 2 Ouvrez le panneau d'accès latéral (27) et insérez le connecteur du chargeur dans le connecteur de la batterie (20).
- 3 Suivez les instructions figurant sur le chargeur de batterie.
- 4 Après le chargement des batteries, vérifiez le niveau d'eau dans toutes les cellules de la batterie. Ajoutez de l'eau distillée si nécessaire, afin de porter le niveau du fluide jusqu'au sommet des tubes de remplissage.

⚠ ATTENTION !

Ne remplissez pas les batteries avant de les charger.

Chargez les batteries dans une zone bien aérée.

Ne fumez pas lorsque vous procédez à l'entretien des batteries.

Lors de l'entretien des batteries...

- * Retirez tout bijou.
- * Ne fumez pas.
- * Portez des lunettes de protection, ainsi qu'un tablier et des gants en caoutchouc.
- * Travaillez dans une zone bien aérée.
- * Veillez à ce que les outils ne touchent pas plus d'un terminal de batterie à la fois.
- * Déconnectez TOUJOURS le câble de polarité négative lors du remplacement des batteries afin d'éviter des étincelles.
- * Déconnectez TOUJOURS le câble négatif en dernier lors de l'installation des batteries.

⚠ PRUDENCE !

Pour éviter d'occasionner des dégâts aux revêtements de sol, essuyez toujours l'eau et l'acide se trouvant sur le dessus des batteries après leur chargement.

VERIFICATION DU NIVEAU D'EAU DE LA BATTERIE

Vérifiez le niveau d'eau des batteries au moins une fois par semaine

Après le chargement des batteries, enlevez les clapets d'aération et vérifiez le niveau d'eau dans chaque cellule de batterie. Utilisez un distributeur rempli d'eau distillée ou déminéralisée (disponible dans la plupart des magasins de pièces automobiles) pour remplir chaque cellule jusqu'au niveau (ou 10 mm au-dessus de la partie supérieure des séparateurs). NE remplissez PAS trop les batteries !

⚠ ATTENTION !

Si vous remplissez trop les batteries, l'acide peut déborder et se répandre sur le sol.

Serrez les clapets d'aération. Si les batteries sont maculées d'acide, lavez le dessus des batteries avec une solution de bicarbonate de soude et d'eau (2 cuillères à soupe de bicarbonate de soude pour 1l d'eau).

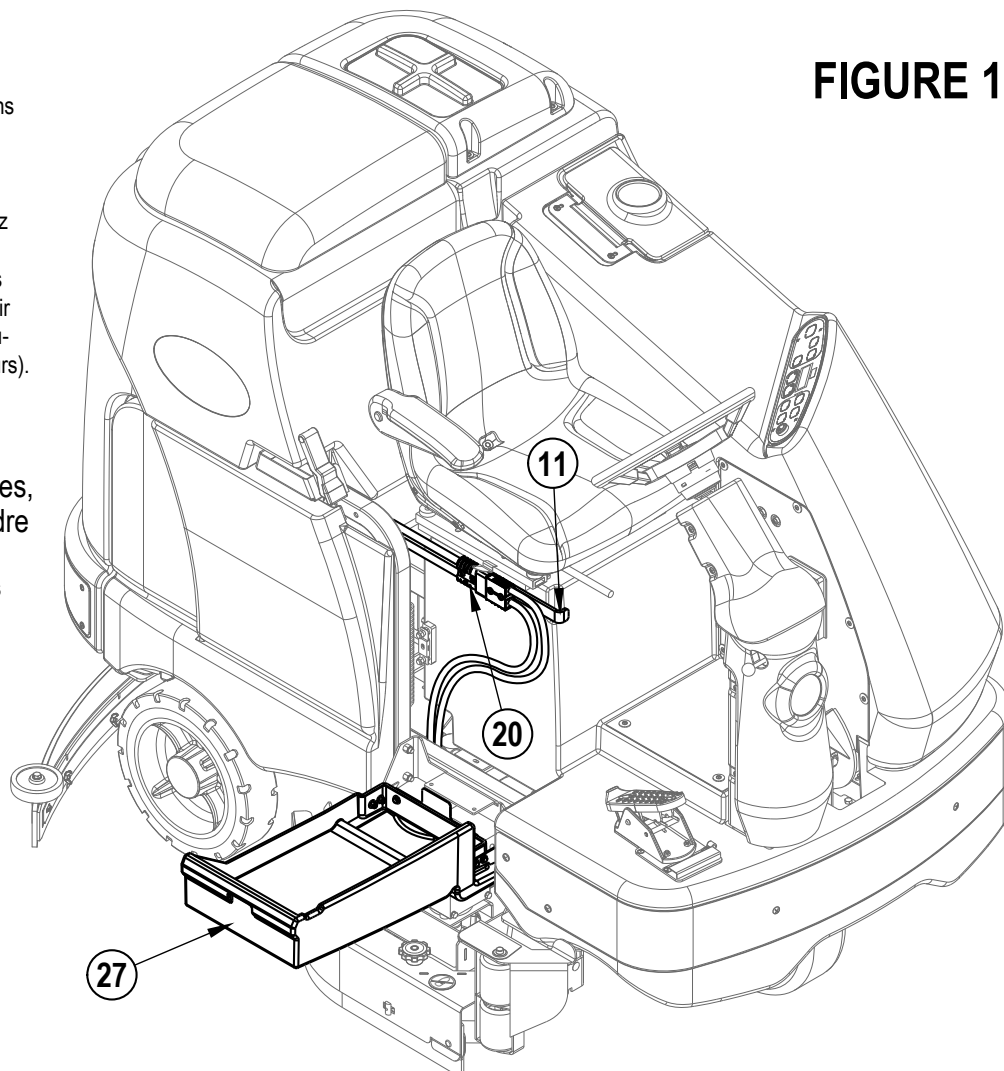


FIGURE 10

ENTRETIEN DE LA RACLETTE

Si la raclette ne ramasse pas toute l'eau ou laisse des traces derrière elle, il se peut que ses lames soient sales ou endommagées. Enlevez la raclette, rincez-la à l'eau chaude et vérifiez les lames. Si les lames sont abîmées, tordues ou usées, remplacez-les ou retournez-les.

Pour retourner ou remplacer la lame arrière de la raclette...

- 1 Voir Figure 11. Levez la raclette, puis déverrouillez le loquet central (AA) situé sur celle-ci.
- 2 Retirez les sangles de tension (BB).
- 3 Faites glisser la lame arrière en dehors des goupilles de positionnement.
- 4 Cette lame de raclette présente 4 chants de travail, comme indiqué ci-dessous. Tournez la lame de sorte qu'un chant propre et non endommagé soit dirigé vers l'avant de la machine. Si les 4 chants de la lame sont abîmés, tordus ou usés, remplacez-la.
- 5 Installez la nouvelle lame en suivant la procédure inverse et réglez la raclette.

Pour retourner ou remplacer la lame avant de la raclette...

- 1 Levez la raclette, déverrouillez les (2) écrous à ailettes (CC) situés sur celle-ci, puis enlevez la raclette de son support.
- 2 Retirez d'abord les deux sangles de tension arrière
- 3 Enlevez les écrous papillons qui maintiennent la lame avant en place et retirez la sangle de tension et la lame.
- 4 Cette lame de raclette présente 4 chants de travail, comme indiqué ci-dessous. Tournez la lame de sorte qu'un chant propre et non endommagé soit dirigé vers l'avant de la machine. Si les 4 chants de la lame sont abîmés, tordus ou usés, remplacez-la.
- 5 Installez la nouvelle lame en suivant la procédure inverse et réglez la raclette.

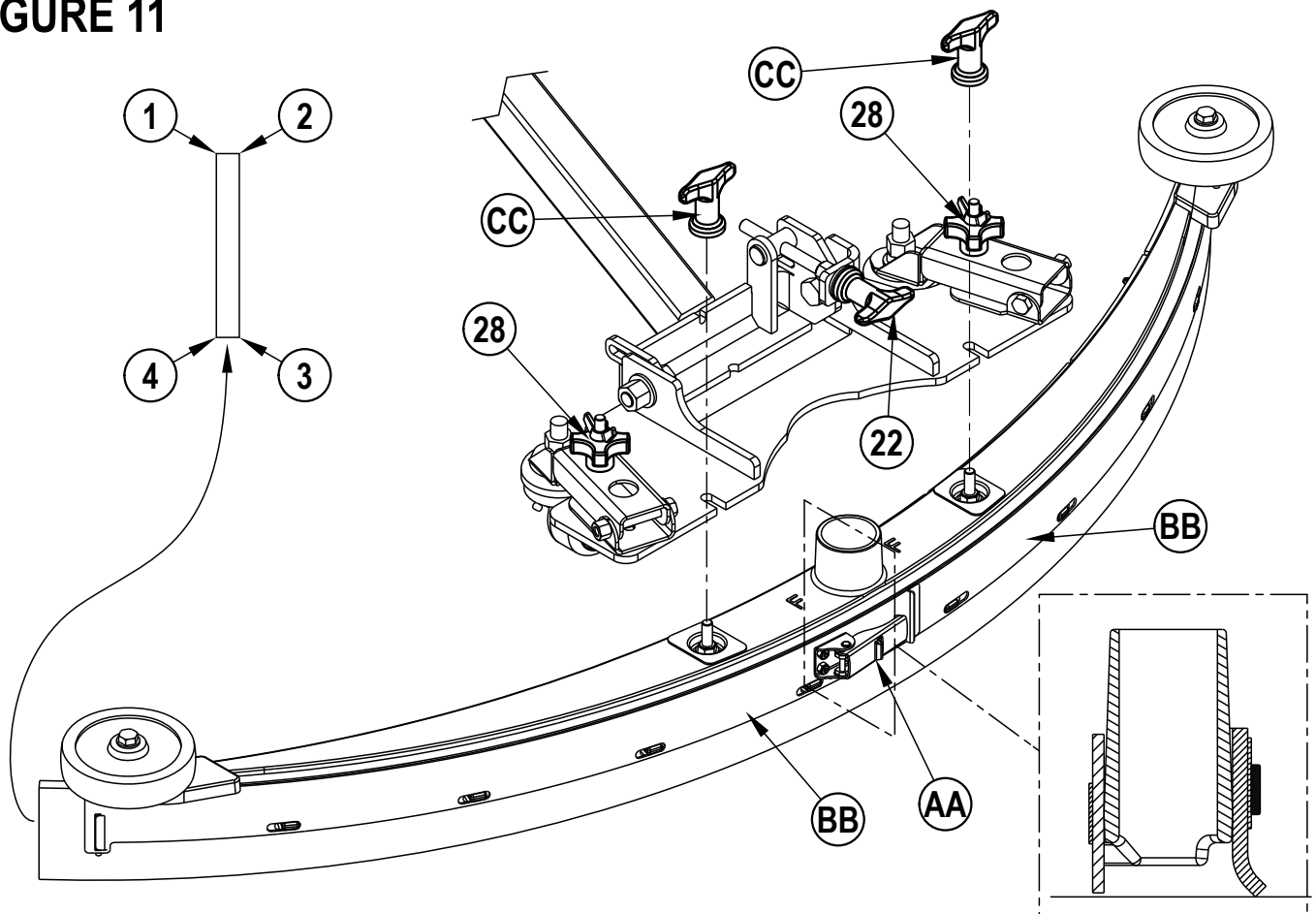
RÉGLAGE DE LA RACLETTE

Le réglage de la raclette s'effectue à deux niveaux : l'angle et la hauteur.

Ce réglage doit être effectué à chaque fois qu'une lame est retournée ou remplacée, ou encore lorsque le sol n'est pas sec après le passage de la machine.

- 1 Placez la machine sur une surface plane et régulière.
- 2 Abaissez la raclette, déplacez la machine légèrement en avant et réglez l'inclinaison et la hauteur de la raclette à l'aide du bouton de réglage du basculement de la raclette (22) et des boutons de réglage de hauteur de la raclette (28), afin que la lame arrière de la raclette touche le sol de manière régulière sur toute sa largeur et soit légèrement inclinée en avant, comme indiqué sur le schéma transversal de la raclette.
- 3 La hauteur du racloir est pré-réglée en usine mais peut nécessiter d'être re-réglée périodiquement du fait de l'usure des roulettes. Le racloir est réglé à la bonne hauteur lorsque la lame avant est en contact avec le sol mais par incliné vers l'avant. Utilisez les boutons de réglage de la hauteur (28) pour vous assurer que la position de la lame est bien uniforme sur toute sa longueur (de gauche à droite).
- 4 Le bouton de réglage de l'inclinaison (22) permet de régler l'angle de l'outil de façon à obtenir un contact uniforme du centre jusqu'aux extrémités de la lame.

FIGURE 11



MAINTENANCE DE LA BAVETTE LATÉRALE

La fonction des bavettes latérales est de canaliser les eaux usées vers la raclette, contribuant ainsi à maintenir l'eau dans le chemin de la machine. Il est normal que, avec le temps, les lames s'abîment. L'opérateur remarquera alors qu'un peu d'eau s'échappe des bavettes latérales. La hauteur peut être facilement réglée. Il est ainsi possible d'abaisser les lames de la raclette de sorte que toute l'eau soit ramassée.

Pour retourner ou remplacer la (les) bavette(s) latérale(s) du système de récurage :

- 1 **Voir Figure 12.** Desserrez les (2) boutons qui maintiennent les bavettes latérales **(AA)** en place (2 de chaque côté) et retirez les bavettes **(BB)** du plateau des brosses. **REMARQUE :** Retirez les bavettes en les faisant d'abord glisser vers l'avant, puis en les sortant de la machine.
- 2 Enlevez tous les éléments de fixation qui maintiennent les lames sur le logement de la jupe. **REMARQUE :** La lame principale sur chaque logement est maintenue à l'aide de rondelles de retenue sans outil (circlip). Il suffit de desserrer les grands écrous à oreilles **(CC)** et de tourner les boutons **(DD)** situés sur l'extérieur du logement jusqu'à ce qu'ils soient à l'horizontal puis de pousser par les ouvertures. La petite lame intérieure **(EE)** sur les modèles à disque est maintenue par une plaque et deux écrous ; elle comporte deux faces de référence.
- 3 La lame principale de la raclette présente 4 champs de travail, comme indiqué. Tournez la lame de sorte qu'un chant propre et non endommagé soit dirigé vers le centre de la machine. Si les 4 champs de lames sont abîmés, tordus ou usés à un tel point qu'il s'avère impossible de les régler, remplacez-les.
- 4 Remplacez le système de bavettes sur la machine et réglez la hauteur des lames afin qu'elles soient en parfait contact avec le sol lorsque le plateau de récurage est en position récurage.

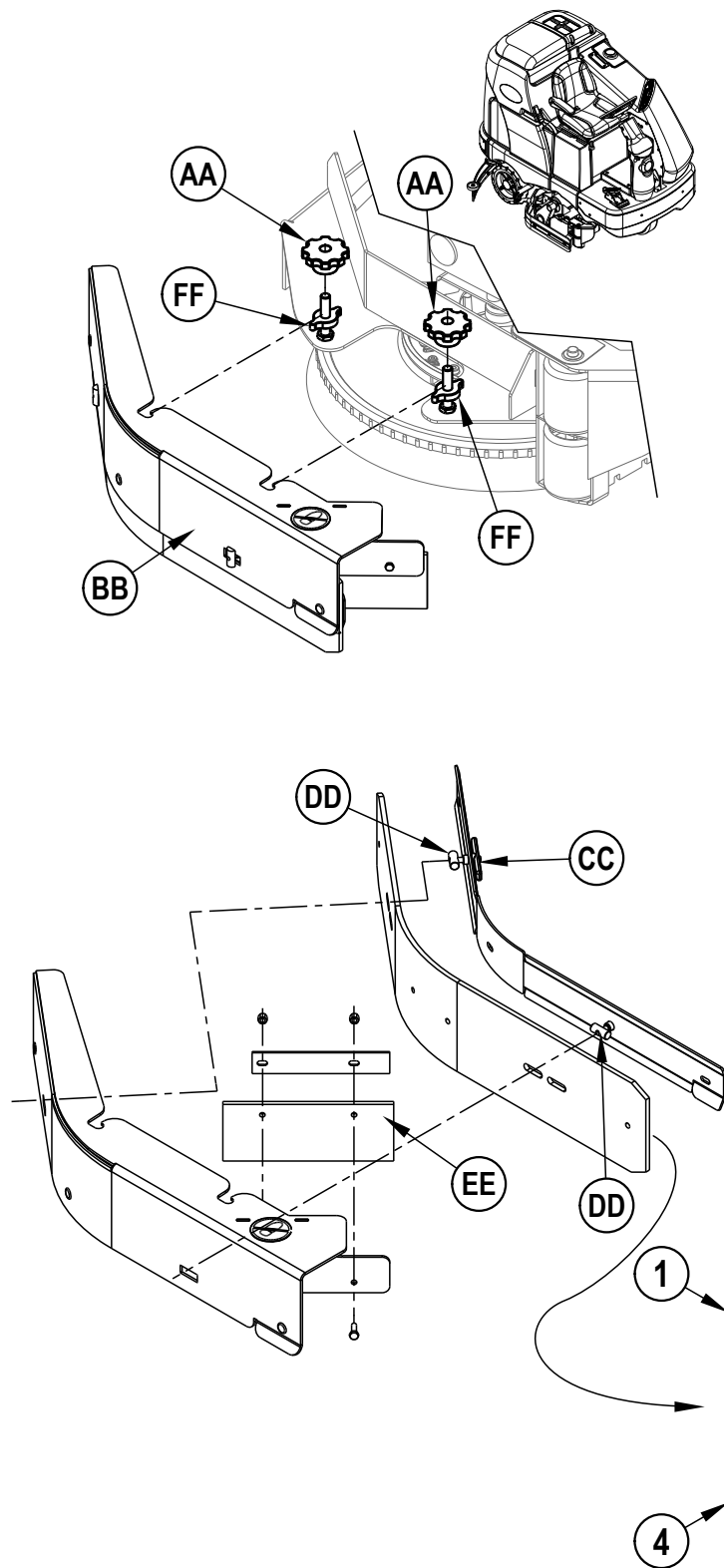
REGLAGE DE LA HAUTEUR DE LA BAVETTE LATÉRALE

- 1 Le goujon fileté de fixation du support du système de bavettes est pourvu de bagues de nivellement **(FF)** que l'on peut relever ou abaisser pour compenser l'usure des lames.
- 2 Pour le réglage : enlevez le système de bavettes **(BB)** du plateau de brosses afin d'accéder aux bagues de réglage **(FF)**. Astuce : Les boutons de fixation des bavettes **(AA)** peuvent être desserrés sans pour autant retirer les bavettes. Vous pouvez alors accéder facilement aux bagues de réglage **(FF)** sous le compartiment des bavettes et les tourner.
- 3 Ajustez les bagues de réglage **(FF)** (vers le haut ou le bas) jusqu'à ce que les lames se courbent suffisamment pour que toute l'eau reste entre les bavettes. **REMARQUE :** Effectuez de petits réglages de manière à ce que le travail des lames soit parfait. N'abaissez pas trop les lames car, si elles sont trop courbées, elles risquent de s'user prématurément.

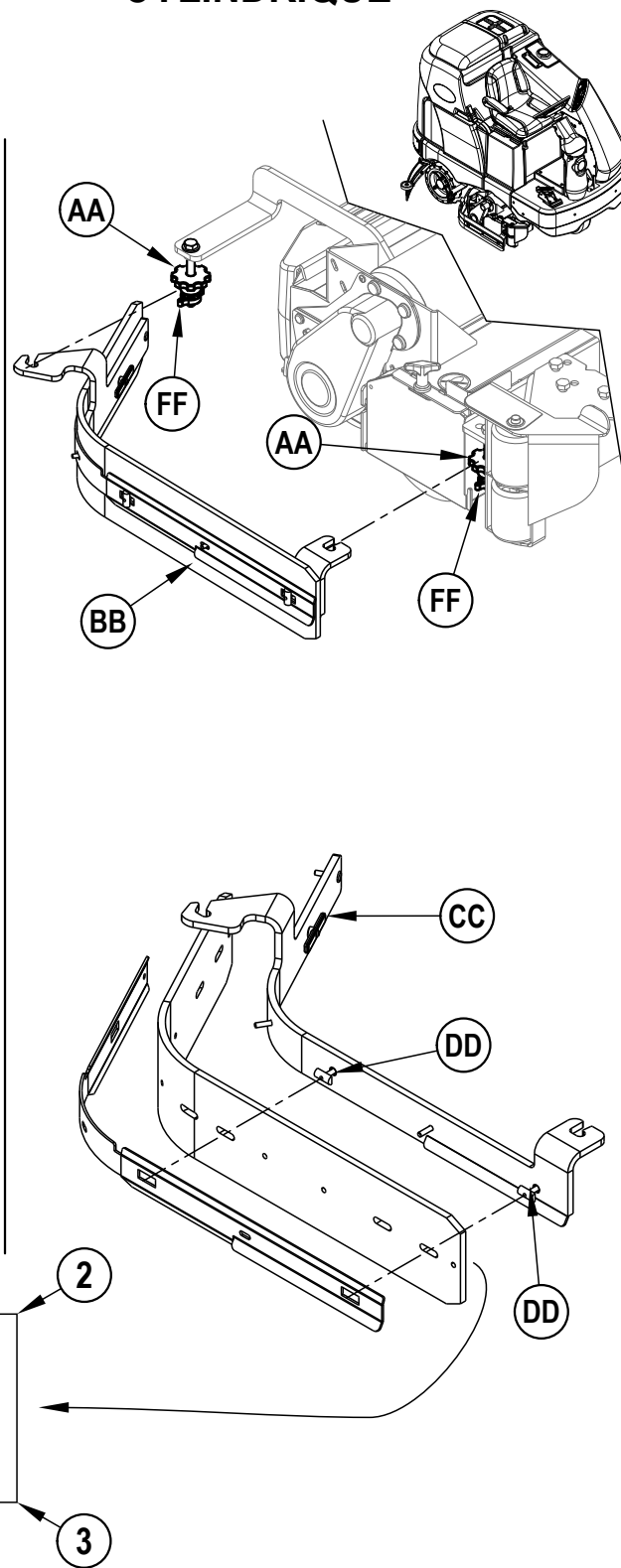
MAINTENANCE DE LA BAVETTE LATÉRALE

FIGURE 12

DISQUE



CYLINDRIQUE



ENTRETIEN DE LA BROSSSE LATÉRALE

La(les) brosse(s) latérale(s) déplace(nt) les saletés et débris loin des murs et courbes pour les placer sur le chemin de la brosse principale. Réglez la brosse latérale pour que les poils sont en contact avec le sol de la zone 10 heures (AA) à la zone 3 heures (BB), selon la **Figure 13**, quand la brosse est abaissée et active.

Le mode de réglage permet d'ajuster les brosses latérales. Pour entrer en « Mode de réglage », procédez comme suit :

- 1 Tournez l'interrupteur à clé (A) en position d'arrêt (O).
- 2 Appuyez et maintenez enfoncés l'interrupteur de brosse latérale (C) et l'interrupteur d'arrêt du nettoyage (E).
- 3 Tout en maintenant ces deux interrupteurs enfoncés (C & E), tournez l'interrupteur à clé en position de marche (I).
- 4 Continuez à maintenir ces interrupteurs enfoncés pendant 2 secondes jusqu'à ce que les témoins de brosse latérale et de marche/arrêt du nettoyage s'allument.
- 5 Relâchez les interrupteurs. L'affichage (K) indique maintenant [SIDE BROOM ADJUSTMENT] « RÉGLAGE DE LA BROSSSE LATÉRALE ».

Une fois en « Mode de réglage », procédez comme suit pour ajuster les brosses latérales :

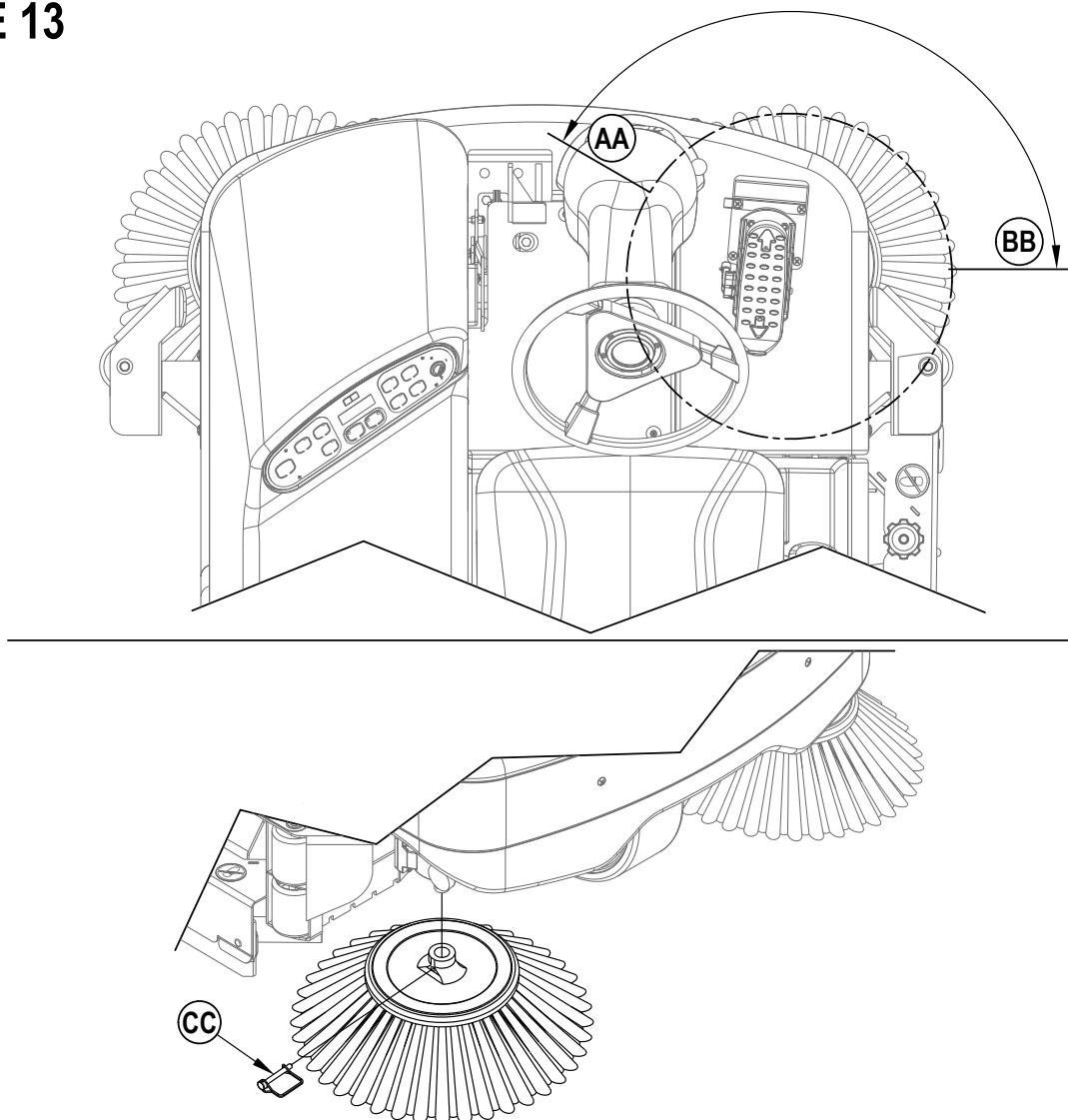
- 1 Appuyez sur l'interrupteur de mise en marche du nettoyage (D) pour abaisser les brosses latérales et appuyez sur l'interrupteur de brosse latérale (C) pour soulever les brosses latérales jusqu'à la hauteur désirée.
- 2 Pour sauvegarder la hauteur des brosses latérales, appuyez sur l'interrupteur d'arrêt du nettoyage (E). Les brosses latérales montent en position et l'affichage indique une icône en forme de clé (pour indiquer que l'interrupteur à clé doit être mis en position d'arrêt, puis remis en position de marche).
- 3 La machine a maintenant été reprogrammée pour utiliser la nouvelle hauteur des brosses latérales.

REMARQUE : lorsque vous rangez la machine, vous devez mettre les brosses latérales en position levée. Lorsque les poils des brosses sont usés et ne mesurent plus que 7,62 cm (3 pouces), ou lorsque les brosses latérales deviennent inefficaces, il est préférable de les remplacer.

Pour remplacer la brosse latérale :

- 1 Levez la brosse latérale.
- 2 Retirez la grande goupille (CC) qui maintient la brosse latérale en place et retirez la brosse.
- 3 Installez la nouvelle brosse en la faisant glisser vers le HAUT sur l'arbre et en remettant en place la goupille (CC).

FIGURE 13





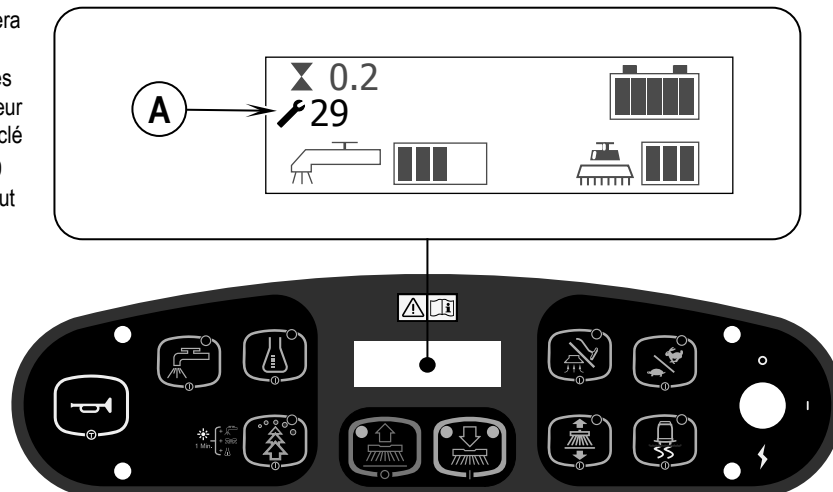
DÉPANNAGE GÉNÉRAL DE LA MACHINE




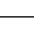

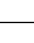






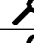
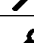
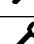


Problème	Raison possible	Solution
Mauvaise récupération de l'eau	Lames de raclette usées ou tordues	Les inverser ou les remplacer
	Raclette mal réglée	Régler les lames de telle sorte qu'elles touchent le sol sur toute leur longueur
	Réservoir de récupération rempli	Vider le réservoir de récupération
	Fuite au niveau du tuyau de vidange du réservoir de récupération	Vérifier la position du bouchon du tuyau de vidange ou le remplacer
	Fuite au niveau des joints du couvercle du réservoir de récupération	Remplacer les joints / Repositionner le couvercle correctement.
	Débris coincés au niveau de la raclette	Nettoyer la raclette
	Tuyau d'aspiration encrassé	Enlever les débris
	Utilisation d'une quantité trop importante de solution	Réduire le débit à l'aide du bouton de solution du panneau de commande
	Couvercle du filtre en mousse mal positionné	Repositionner le couvercle correctement.
Mauvaises performances en matière de nettoyage	Brosse ou tampon usé(e)	Faire tourner ou remplacer la brosse
	Mauvais type de brosse ou de tampon	Consulter un revendeur Nilfisk
	Agent chimique inadapté.	Consulter un revendeur Nilfisk
	Déplacement de la machine trop rapide	Ralentir
	Quantité de solution utilisée trop faible	Augmenter le débit à l'aide du bouton de solution du panneau de commande
Les moteurs de récurage ne fonctionnent pas	Disjoncteur de 20 A (F3) déclenché	Vérifier s'il n'y a pas de court-circuit et réinitialiser
Flux de solution inadéquat ou plus de solution	Réservoir de solution vide	Remplir le réservoir de solution
	Conduits, valves et filtre de solution encrassés.	Rincer les conduites et nettoyer le filtre de solution
	Le débit de solution a été ARRETE	Activer le débit à l'aide du bouton de solution du panneau de commande
	L'électrovalve de solution est bouchée ou défectueuse	Nettoyer ou remplacer la valve (consulter le manuel d'entretien)
La machine ne démarre pas	Bouton d'arrêt d'urgence enclenché	Reconnecter les connecteurs de batterie
	Commutateur de sécurité du siège de l'opérateur	Vérifier les circuits ouverts éventuels et les remplacer
	Contrôleur principal du système	Vérifier les codes d'erreurs (voir Manuel d'entretien)
	Disjoncteur de 3 A (F1) déclenché	Vérifier s'il n'y a pas de court-circuit et réinitialiser
Pas de roue directrice avant/arrière	Contrôleur de vitesse du système d'entraînement	Vérifier les codes d'erreurs (voir Manuel d'entretien)
	Bouton d'arrêt d'urgence enclenché	Reconnecter les connecteurs de batterie
L'aspiration stoppe et l'écran affiche "FULL" alors que le réservoir n'est pas plein.	Tuyau de raclette connecté	Enlever débris
	Aspiration de grande quantité d'eau à grande vitesse	Ralentir ou désactiver la fonction de fermeture automatique (voir Manuel d'entretien)
Mauvaises performances en matière de balayage (Système cylindrique)	Trémie remplie	Vider et nettoyer la trémie
	Brosses usées	Remplacer les brosses
	Poils de brosses endommagés	Retourner les brosses
Aucun débit de détergent (modèles EcoFlex uniquement)	Cartouche de détergent vide	Remplir la cartouche de détergent.
	Conduite d'écoulement du détergent tordue ou obstruée	Vidanger le système et redresser les conduites afin qu'elles ne soient plus tordues
	Bouchon de fermeture hermétique sur la cartouche de détergent mal fermé	Bien refermer le bouchon de fermeture hermétique
	Le câble de la pompe de détergent est déconnecté ou dirigé vers l'arrière	Connecter ou reconnecter le câble



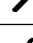




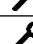




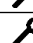




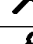




DÉPANNAGE GÉNÉRAL DE LA MACHINE

AFFICHAGE DES CODES D'ERREUR

Tout code d'erreur détecté par le tableau de bord A2 s'affichera sur l'écran du panneau de commande dès qu'il survient. En cas d'erreurs multiples, l'écran fera défiler successivement les différents codes d'erreur à un intervalle d'une seconde. L'erreur (A) s'affichera sous la forme d'un symbole représentant une clé , suivi par un code à deux chiffres. Par exemple,  29 comme illustré sur le schéma ci-contre correspond à un défaut du moteur d'aspiration en circuit ouvert.



Code affiché	Description de l'anomalie/du défaut
 01	Défaut de la résistance R2 de détection de la plate-forme de nettoyage
 03	Défaut de la commande de vitesse
 04	Surcharge du moteur de polissage Il convient de noter que certains modèles utilisent un, deux ou trois moteurs de polissage.
 05	Surcharge de la bobine de contacteur du moteur de la brosse gauche Le contacteur K4 correspond au moteur de gauche sur les plates-formes à trois moteurs.
 06	Surcharge de la bobine de contacteur du moteur de la brosse centrale Le contacteur K3 correspond au moteur central sur les plates-formes à trois moteurs. Le contacteur K3 correspond au moteur de gauche sur les plates-formes à deux moteurs.
 07	Surcharge de la bobine-contacteur du moteur de la brosse droite Le contacteur K2 correspond au moteur de droite sur les plates-formes à deux ou trois moteurs. Le contacteur K2 est le seul contacteur sur les plates-formes à un seul moteur.
 08	Surcharge de mécanisme de la plateforme de nettoyage.
 09	Surcharge du moteur d'aspiration
 10	Surcharge de la bobine-contacteur du moteur d'aspiration K1
 11	Surcharge de l'actionneur du racloir
 12	Surcharge du solénoïde (L1) de la solution
 13	Surcharge de la pompe de commande de solution.
 16	Surcharge de la bobine-contacteur du moteur du balai latéral K6
 17	Surcharge de l'actionneur du balai latéral.
 18	Surcharge de la bobine-contacteur auxiliaire K5
 19	Surcharge de l'alarme de secours
 20	Défaut de sortie de l'avertisseur

Code affiché	Description de l'anomalie/du défaut
 21	Moteur de polissage ouvert
 22	Bobine-contacteur du moteur de la brosse gauche ouvert
 23	Court-circuit à la terre de la bobine-contacteur du moteur de la brosse gauche
 24	Bobine-contacteur du moteur de la brosse central en circuit ouvert
 25	Court-circuit à la terre de la bobine-contacteur du moteur de la brosse centrale
 26	Bobine-contacteur du moteur de la brosse droite en circuit ouvert
 27	Court-circuit à la terre de la bobine-contacteur du moteur de la brosse droite
 28	Actionneur de la plate-forme de nettoyage ouvert.
 29	Ouverture du circuit du moteur d'aspiration
 30	Bobine-contacteur du moteur d'aspiration en circuit ouvert
 31	Court-circuit à la terre de la bobine-contacteur du moteur d'aspiration K1
 32	Actionneur du racloir en circuit ouvert
 33	Solénoïde (L1) de la solution en circuit ouvert
 34	Court-circuit à la terre du solénoïde de Solution L1
 35	Pompe de commande de solution en circuit ouvert.
 36	Bobine-contacteur du moteur du balai latéral en circuit ouvert
 37	Court-circuit à la terre de la bobine-contacteur du moteur du balai latéral K6
 38	Moteur de l'actionneur du balai latéral en circuit ouvert.
 39	Bobine-contacteur du moteur auxiliaire en circuit ouvert
 40	Court-circuit à la terre de la bobine-contacteur du moteur auxiliaire K5
 41	Alarme de secours en circuit ouvert
 42	Court-circuit à la terre de l'alarme de secours

ACCESSOIRES / OPTIONS

En plus des composants standards, la machine peut être équipée des accessoires/options suivantes, selon l'utilisation prévue de la machine :

- Brosses avec des poils plus doux ou plus durs
- Kit de remplissage automatique du réservoir de solution
- Kit pour moteur d'aspiration
- Kit pour balise d'avertissement
- Kit pour siège de luxe
- Kit pour toit de protection
- Kit pour ceintures de sécurité
- Kit d'usure de la batterie
- Kit de protection des pieds de l'opérateur
- Kit d'alarme de secours
- Kit pour lance de vaporisation
- Kit d'éclairage
- Kit de pare-choc avant résistant
- Kit de tapis de sol
- Kit de mesure de détergent
- Kit de pare-choc avant tubulaire

Pour plus d'informations sur ces divers accessoires, contactez un distributeur agréé.

Composition des matériaux et capacité de recyclage		
Type	% du poids de la machine	% Recyclable
Aluminium	2%	100%
Électrique / moteurs électriques et autres - divers	19%	33%
Métaux ferreux	51%	100%
Harnais / câbles	2%	81%
Liquides	0%	0%
Plastique - non-recyclable	3%	0%
Plastique - recyclable	3%	100%
Polyéthylène	21%	92%
Caoutchouc	1%	33%

DÉBITS DE SOLUTION

	Débits standard			Débit de contournement	
	1 bar	2 bars	3 bars	4 bars	5 bars
Disque 40"	.84 GPM	1.00 GPM	1.50 GPM	2.00 GPM	2.50 GPM
Cylindrique 40"	.70 GPM	.84 GPM	1.00 GPM	1.50 GPM	2.50 GPM
Disque 45"/48"	1.00 GPM	1.50 GPM	2.00 GPM	2.25 GPM	2.50 GPM
Cylindrique 45"/48"	.84 GPM	1.00 GPM	1.50 GPM	2.00 GPM	2.50 GPM

SPÉCIFICATIONS TECHNIQUES (TELLES QU'INSTALLÉES ET TESTÉES SUR L'APPAREIL)

Modèle		SC6500 40C	SC6500 45C	SC6500 48C
		SC6500 40D	SC6500 45D	SC6500 48D
N° de Modèle		56414010	56414014	56414018
		56414012	56414016	56414020
Tension des batteries	V	36V	36V	36V
Capacité de la batterie (max)	Ah	450	450	450
Classe de Protection		IPX3	IPX3	IPX3
Niveau sonore - Cylindrique IEC 60335-2-72: 2002 Amendé. 1:2005, ISO 11201	dB(A)/20µPa	70	70	70
Niveau sonore - KpA (IEC 60335-2-72, ISO 11201) Incertitude	dB(A)	3,0	3,0	3,0
Niveau sonore - Disque IEC 60335-2-72: 2002 Amendé. 1:2005, ISO 11201	dB(A)/20µPa	70	70	70
Niveau sonore - KpA (IEC 60335-2-72, ISO 11201) Incertitude	dB(A)	3,0	3,0	3,0
Poids brut* - Cylindrique	lb / kg	3325 / 1508	3365 / 1526	3410 / 1547
Poids de transport** - Cylindrique	lb / kg	2897 / 1314	2937 / 1332	2982 / 1353
Poids brut* - Disc	lb / kg	3220 / 1460	3270 / 1483	3320 / 1506
Poids de transport** - Disc	lb / kg	2792 / 1266	2842 / 1289	2892 / 1312
Charge maximum admissible des roues au sol (avant, centre)	psi / kg/cm ²	116 / 8,15	116 / 8,15	116 / 8,15
Charge maximale admissible des roues au sol (arrière droit)	psi / kg/cm ²	81 / 5,69	81 / 5,69	81 / 5,69
Charge maximum admissible des roues au sol (arrière, gauche)	psi / kg/cm ²	86 / 6,04	86 / 6,04	86 / 6,04
Vibrations au niveau des commandes manuelles (ISO 5349-1)	m/s ²	<1,12m/s ²	<1,12m/s ²	<1,12m/s ²
Vibrations au niveau des commandes manuelles (ISO 5349-1) Incertitude	m/s ²	0,11 m/s ²	0,11 m/s ²	0,11 m/s ²
Vibrations au niveau du siège (EN 1032)	m/s ²	<0,35m/s ²	<0,35m/s ²	<0,35m/s ²
Vibrations au niveau du siège (EN 1032) Incertitude	m/s ²	0,035m/s ²	0,035m/s ²	0,035m/s ²
Rampe maximale - Transport		16% (9°)	16% (9°)	16% (9°)
Rampe maximale - Nettoyage		10.5% (6°)	10,5% (6°)	10,5% (6°)
Longueur de la machine	pouce / cm		73,5 / 187	
Hauteur de la machine	pouce / cm		58,5 / 148.6	
Hauteur de la machine (avec toit de protection)	pouce / cm		84 / 213	
Largeur de la machine au niveau des rouleaux - Cylindrique	pouce / cm	47,5 / 121	53,5 / 136	55,5 / 141
Largeur de la machine au niveau des rouleaux - Disque	pouce / cm	42,5 / 108	51,5 / 131	52,5 / 133
Largeur de la machine avec le racloir	pouce / cm	49 / 125 "F"	54 / 137 "G"	57 / 145 "H"
Largeur de rotation minimum	pouce / cm		84 / 214	
Capacité du réservoir de solution	Gallon / L		70 / 265	
Capacité du réservoir de récupération	Gallon / L		70 / 265	
Vitesse de transport (Marche AV, Maximum)	mph / km/h		6,0 / 9,5	
Vitesse de transport (Marche AR, Maximum)	mph / km/h		3,0 / 5,0	
Dimensions du compartiment de la batterie (environ)				
Hauteur (maximum)	pouce / cm		19 / 48.2	
Largeur (maximum)	pouce / cm		20 / 50.8	
Longueur (maximum)	pouce / cm		31,75 / 80.6	
Dimension des brosses de polissage				
Diamètre extérieur de la brosse de polissage - Cylindrique (noyau intérieur : 5 in / 12,7 cm)	pouce / cm		8,5 / 21.6	
Longueur de la brosse de polissage - Cylindrique (deux brosses par machine)	pouce / cm	38,37 / 97,4	43,6 / 110,8	46,6 / 118,4
Diamètre de la brosse - Disque	pouce / cm	(Quantité : 2) 20 / 50,8	(Quantité : 3) à 16 / 40,6	(Quantité : 3) à 17 / 43
Vitesse de la brosse de polissage				
Cylindrique	tr/m	630	630	630
Disc	TR/M	240	225	225
Capacité du Trémie - Cylindrique	ft ³ / L	0,40 / 11	0,44 / 12.5	0,50 / 14
Largeur du chemin de nettoyage (largeur de polissage)	pouce / cm	40 / 101	45 / 114	48 / 122
Chemin de balayage avec les balais latéraux - Cylindrique	pouce / cm		57 / 145	

*Poids brut : Machine standard sans option, réservoir de solution plein et réservoir de récupération vide, avec brosses de polissage amovibles et batteries installées.

**Poids de transport : Machine standard sans option, réservoirs de solution et de récupération vides, batteries installées et sans l'opérateur.

SPÉCIFICATIONS TECHNIQUES (TELLES QU'INSTALLÉES ET TESTÉES SUR L'APPAREIL)

Modèle		SC6500 40C (EcoFlex)	SC6500 45C (EcoFlex)	SC6500 48C (EcoFlex)
		SC6500 40D (EcoFlex)	SC6500 45D (EcoFlex)	SC6500 48D (EcoFlex)
N° du Modèle		56414011	56414015	56414019
		56414013	56414017	56414021
Tension, batteries	V	36V	36V	36V
Capacité de la batterie	Ah	450	450	450
Classe de protection		IPX3	IPX3	IPX3
Niveau sonore - Cylindrique IEC 60335-2-72: 2002 Amendé. 1:2005, ISO 11201	dB(A)/20µPa	70	70	70
Niveau sonore - KpA (IEC 60335-2-72, ISO 11201) Incertitude	dB(A)	3,0	3,0	3,0
Niveau sonore - Disque IEC 60335-2-72: 2002 Amendé. 1:2005, ISO 11201	dB(A)/20µPa	70	70	70
Niveau sonore - KpA (IEC 60335-2-72, ISO 11201) Incertitude	dB(A)	3,0	3,0	3,0
Poids brut* - Cylindrique	lb / kg	3325 / 1508	3365 / 1526	3410 / 1547
Poids de transport** - Cylindrique	lb / kg	2897 / 1314	2937 / 1332	2982 / 1353
Poids brut* - Disque	lb / kg	3220 / 1460	3270 / 1483	3320 / 1506
Poids de transport** - Disque	lb / kg	2792 / 1266	2842 / 1289	2892 / 1312
Charge maximum admissible des roues au sol (avant, centre)	psi / kg/cm ²	116 / 8,15	116 / 8,15	116 / 8,15
Charge maximum admissible des roues au sol (arrière droit)	psi / kg/cm ²	81 / 5,69	81 / 5,69	81 / 5,69
Charge maximum admissible des roues au sol (arrière gauche)	psi / kg/cm ²	86 / 6,04	86 / 6,04	86 / 6,04
Vibrations au niveau des commandes manuelles (ISO 5349-1)	m/s ²	<1,12m/s ²	<1,12m/s ²	<1,12m/s ²
Vibrations au niveau des commandes manuelles (ISO 5349-1) Incertitude	m/s ²	0,11 m/s ²	0,11 m/s ²	0,11 m/s ²
Vibrations au niveau du siège (EN 1032)	m/s ²	<0,35m/s ²	<0,35m/s ²	<0,35m/s ²
Vibrations au niveau du siège (EN 1032) Incertitude	m/s ²	0,035m/s ²	0,035m/s ²	0,035m/s ²
Rampe maximale - Transport		16% (9°)	16% (9°)	16% (9°)
Rampe maximale – Nettoyage		10,5% (6°)	10,5% (6°)	10,5% (6°)
Longueur de la machine	pouce / cm	73,5 / 187		
Hauteur de la machine	pouce / cm	58,5 / 148,6		
Hauteur de la machine (avec toit de protection)	pouce / cm	84 / 213		
Largeur de la machine au niveau des rouleaux – Cylindrique	pouce / cm	47,5 / 121	53,5 / 136	55,5 / 141
Largeur de la machine au niveau des rouleaux – Disque	pouce / cm	42,5 / 108	51,5 / 131	52,5 / 133
Largeur de la machine avec le racloir	pouce / cm	49 / 125 "F"	54 / 137 "G"	57 / 145 "H"
Largeur minimum de rotation	pouce / cm	84 / 214		
Capacité du réservoir de solution	Gallon / L	70 / 265		
Capacité du réservoir de récupération	Gallon / L	70 / 265		
Vitesse de transport (Marche AV, Maximum)	mph / km/h	6,0 / 9,5		
Vitesse de transport (Marche AR, Maximum)	mph / km/h	3,0 / 5,0		
Dimensions du compartiment de la batterie (environ)				
Hauteur (maximum)	pouce / cm	19 / 48,2		
Largeur (maximum)	pouce / cm	20 / 50,8		
Longueur (maximum)	pouce / cm	31,75 / 80,6		
Dimension de la brosse de polissage				
Diamètre extérieur de la brosse de polissage - Cylindrique (Noyau intérieur : 5 in / 12,7 cm)	pouce / cm	8,5 / 21,6		
Longueur de la brosse de polissage - Cylindrique (deux brosses par machine)	pouce / cm	38,37 / 97,4	43,6 / 110,8	46,6 / 118,4
Diamètre de la brosse – Disque	pouce / cm	(Quantité : 2) 20 / 50,8	(Quantité : 3) à 16 / 40,6	(Quantité : 3) à 17 / 43
Vitesse de la brosse de polissage	Cylindrique	TR/M	630	630
	Disque	TR/M	240	225
Capacité du Trémie - Cylindrique	ft ³ / L	0,40 / 11	0,44 / 12,5	0,50 / 14
Largeur du chemin de nettoyage (largeur de polissage)	pouce / cm	40 / 101	45 / 114	48 / 122
Largeur de balayage avec balais latéraux – Cylindrique	pouce / cm	57 / 145		

*Poids brut : Machine standard sans option, réservoir de solution plein et réservoir de récupération vide, avec brosses de polissage amovibles et batteries installées.

**Poids de transport : Machine standard sans option, réservoirs de solution et de récupération vides, batteries installées et sans l'opérateur.



9435 Winnetka Ave North
Minneapolis, MN 55445
www.advance-us.com
Phone: 800-989-2235
Fax: 800-989-6566
©2020 Nilfisk, Inc.

