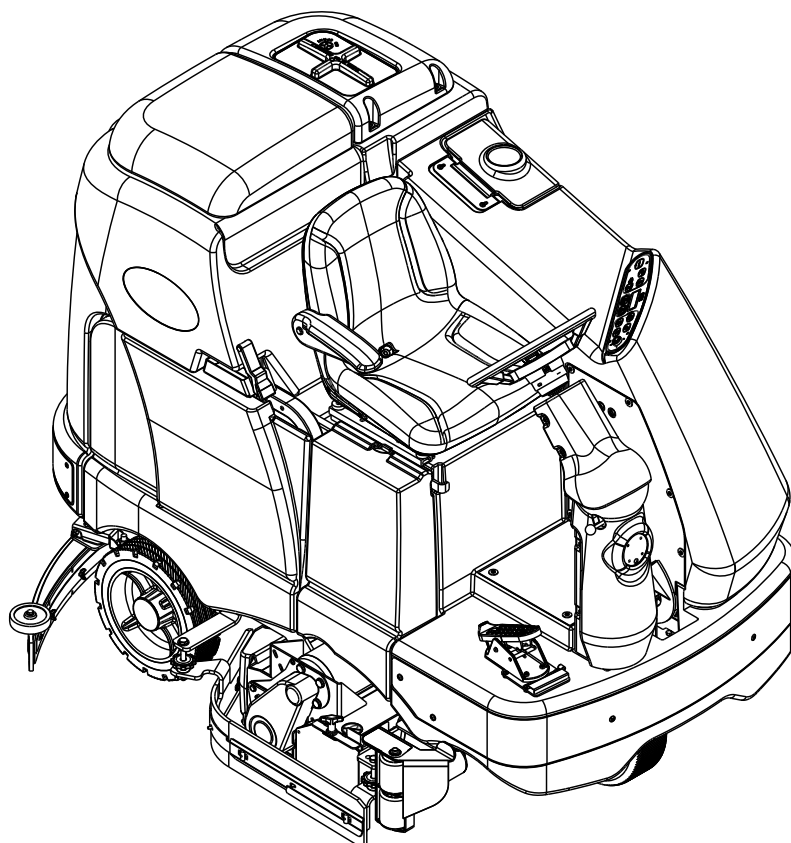


# SC6500

## Parts List

1/2014 revised 5/2020 REV M  
Form no. 56042608



### Active Models:

56414010 (40C), 56414012 (40D), 56414014 (45C), 56414016 (45D),  
56414018 (48C), 56414020 (48D)

### OBSOLETE MODELS:

56414011 (40C EcoFlex), 56414013 (40D EcoFlex), 56414015 (45C EcoFlex),  
56414017 (45D EcoFlex), 56414019 (48C EcoFlex), 56414021 (48D EcoFlex)



## TABLE OF CONTENTS

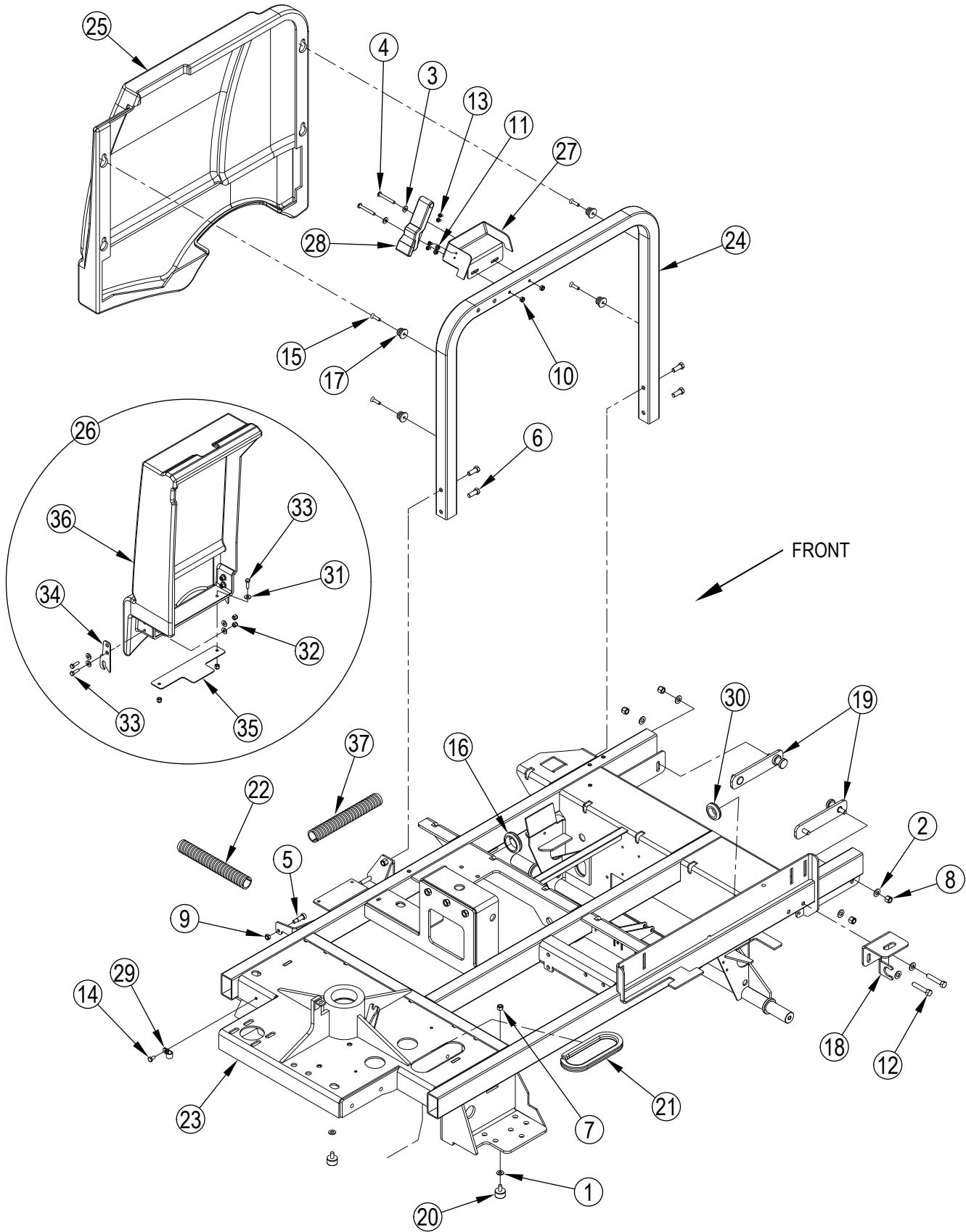
DESCRIPTION	PAGE
Chassis System .....	2-3
Decal System .....	4-5
Drive Wheel System .....	6-7
Drive Wheel System-Steering Assy .....	8-9
Electrical System .....	10-11
Rear Wheel System .....	12-13
Recovery System .....	14-15
Scrub System-Cylindrical .....	16-17
Scrub System-Cylindrical-Scrub Assy .....	18-19
Scrub System-Cylindrical-Skirt & Bumper Assy .....	20-21
Scrub System-Disk .....	22-23
Scrub System-Disk-40 Inch Scrub Assy .....	24-25
Scrub System-Disk-45 & 48 Inch Scrub Assy .....	26-27
Scrub System-Disk-Skirt Assy .....	28-29
Solution System .....	30-31
Solution System-Detergent Metering Kit .....	32-33
Squeegee System .....	34-35
Squeegee System-Squeegee Arm Assy .....	36-37
Squeegee System-Squeegee Assy F-40" .....	38-39
Squeegee System-Squeegee Assy G-45" .....	40-41
Squeegee System-Squeegee Assy H-48" .....	42-43
Sweep System .....	44-45
Sweep System-Side Broom Assy .....	46-47
Ladder Diagram .....	48-53
Optional Kits & Accessories .....	54-55
Recommended Spare Parts .....	56-57
Brush Selector Guide-Disk .....	58
Brush Selector Guide-Cylindrical .....	59
Squeegee Selector Guide .....	60

### WHEN ORDERING PARTS

- \* Use the numbers from the "Ref. No." columns in this parts list.
- \* Specify the model and serial number of the machine.
- \* Use the space below to record the model and serial number for future reference.

Model No. \_\_\_\_\_ Serial No. \_\_\_\_\_

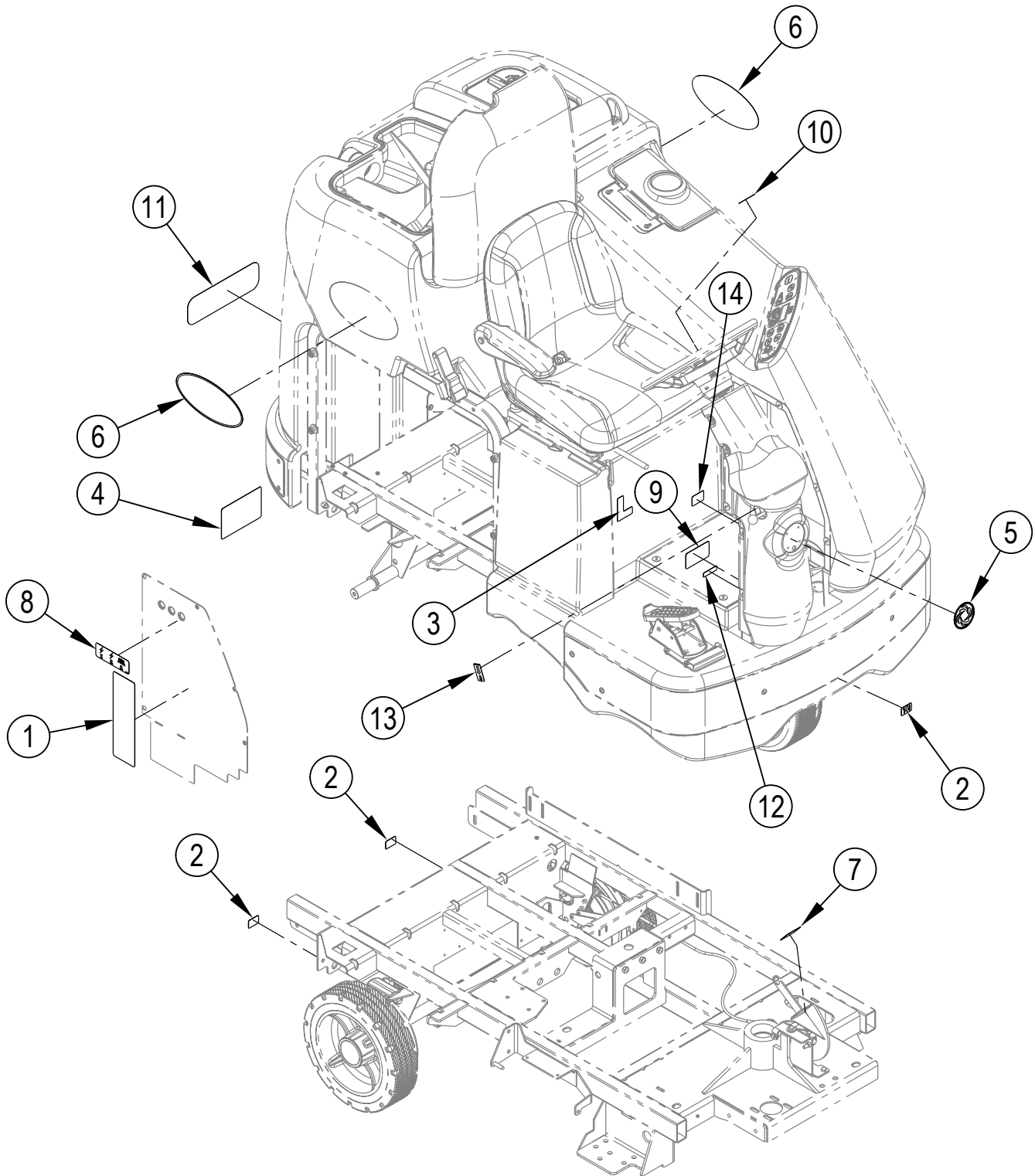
### CHASSIS SYSTEM



**CHASSIS SYSTEM**

<b>Item</b>	<b>Ref. No.</b>	<b>Qty</b>	<b>Description</b>
1	56001939	2	Wsh, Flt SAE 5/16
2	56002063	6	Wsh, Flt SAE 3/8
3	56002098	2	Wsh, Flt SAE 1/4
4	56002108	2	Scr-Pan Phil 1/4-20 X 2.00
5	56002624	1	Scr-Soc Shd .38 X 1.25 X 5/16-18
6	56002663	4	Scr-Hex 3/8-16 X 1.00
7	56002701	2	Nut, Hex Nyl Loc 5/16-18
8	56002769	8	Nut-Hex Nyl Loc 3/8-16
9	56002826	1	Nut, Hex Nyl Loc-Thin 5/16-18
10	56002840	2	Nut, Hex Nyl Loc-Thin 1/4-20
11	56002849	2	Nut, Hex Nyl Loc-Thin Ss 10-24
12	56003031	2	Scr-Hex Hd Loc 3/8-16x2.00
13	56003189	4	Scr-Pan Phil Ss 10-24 X .38
14	56009033	1	Scr, Hex Thd Form 1/4-20 X .50
15	56009101	4	Scr, Flt Phil Thd Form 1/4-20x1.00
16	56054715	1	Grommet
17	56365777	4	Lug, Brush Driver
18	56413254	1	Support
19	56413373	2	Pin Plate Weldt <b>TSB-FC-2016-001</b>
20	56413714	2	Bumper, Rubber
21	56413724	1	Trim, Edge
22	56413847	1	Conduit
23	56414060	1	Weldment-Chassis
24	56414104	1	Support-Chassis <b>TSB-FC-2016-001</b>
25	56414106	1	Rear Side Panel
26	56414116	1	Side Panel Assembly (#31-36)
27	56414118	1	Bracket-Latch <b>TSB-FC-2015-038</b>
28	56462746	1	Latch
29	56486112	1	Clamp-P
30	56486116	1	Grommet
31	56002098	10	Wsh, Flt SAE 1/4
32	56003403	6	Nut-Hex Nyl Loc M6-1
33	56003454	6	Scr-Hex Thd To Hd Ss M6-1 X 20mm
34	56413433	2	Hinge
35	56413796	1	Plate
36	56414110	1	Front Side Panel
37	56394460	1	Conduit-Black-1.5

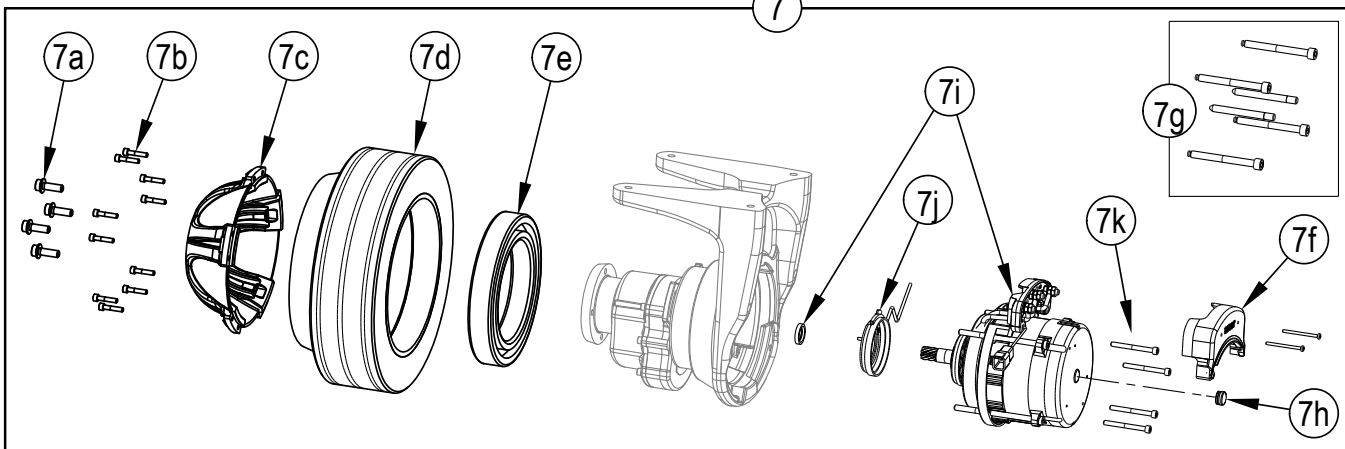
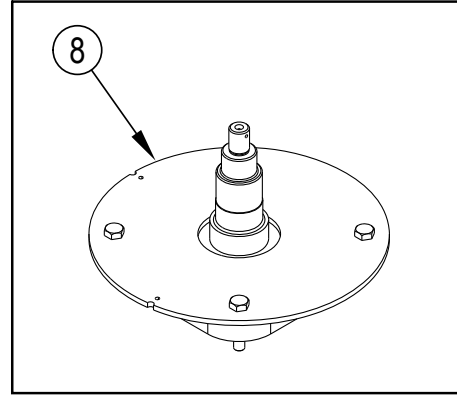
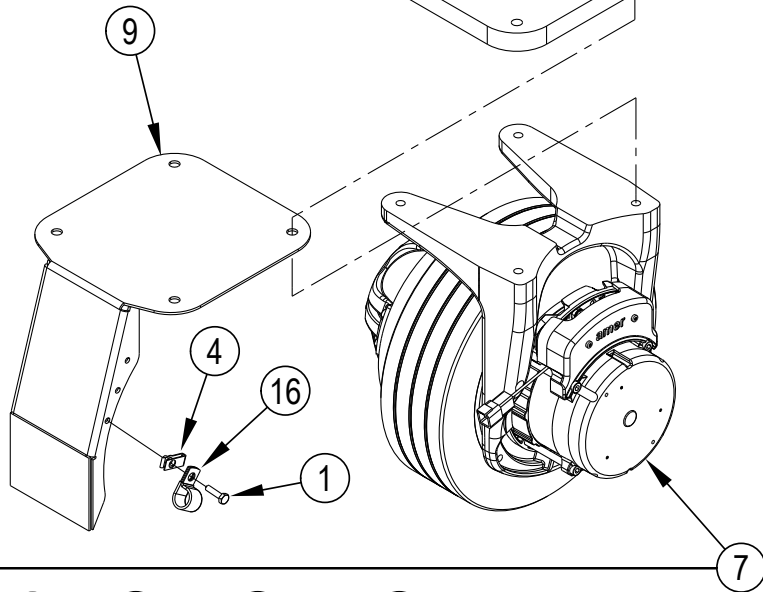
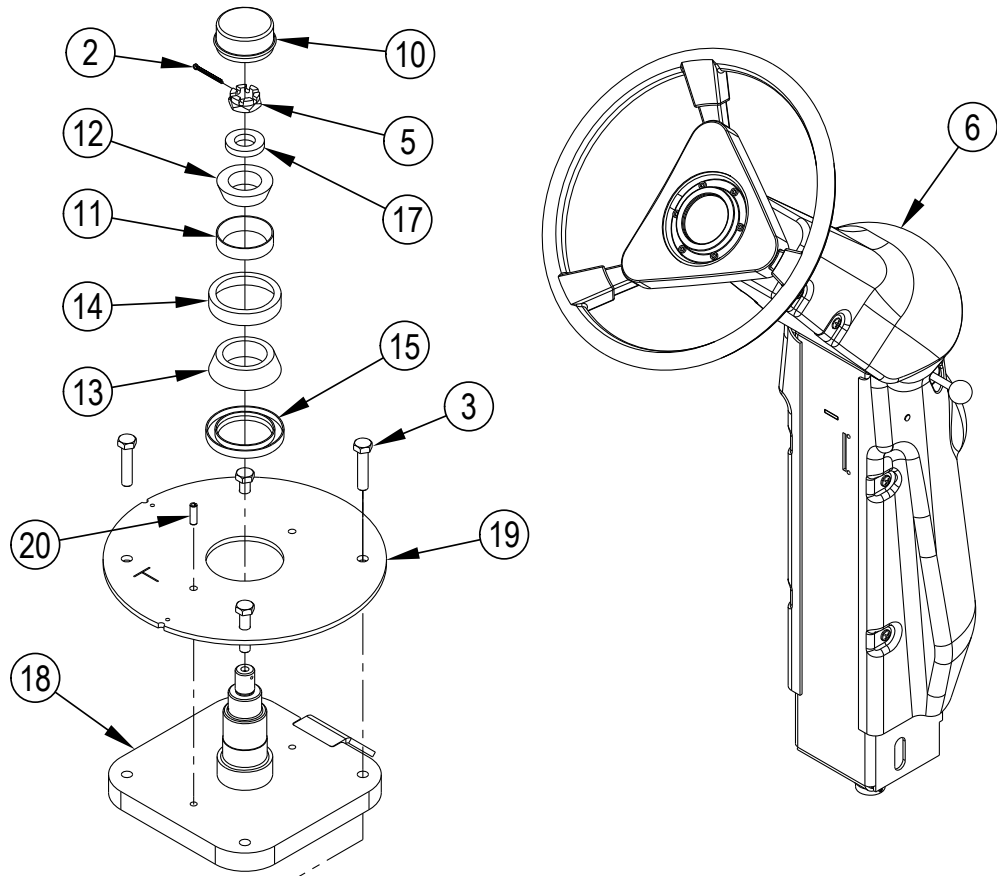
### DECAL SYSTEM



**DECAL SYSTEM**

<b>Item</b>	<b>Ref. No.</b>	<b>Qty</b>	<b>Description</b>
1	56014601	1	Decal, Caution
2	56015370	3	Decal, Tie Down
3	56015179	1	Decal, Emergency
4	56015272	1	Decal, Battery Wiring Diagram
5	56015276	1	Decal, Logo
6	56414141	2	Decal-SC6500
	56414142	2	Decal- SC6500-EcoFlex
7	56413797	1	Mat, Pedal
8	56015374	1	Decal, Circuit Breaker
9	56016401	1	Decal, Parking Brake
10	56015281	1	Decal, Logo 2 Inch
11	56016730	1	Decal, Advance
12	56014450	1	Decal Patent
13	56414074	1	Decal-Tilt Wheel
14	56394259	1	Decal-Prop 65

### DRIVE WHEEL SYSTEM





## DRIVE WHEEL SYSTEM

Item	Ref. No.	Qty	Description
1	56002093	1	Scr-Hex 1/4-20 X 1.00 <b>TSB-FC-2016-250 NOTE 1, NOTE 2</b>
2	56002181	1	Pin-Cotter. 1/8 X 1 1/2
3	56003708	4	Scr-Hex M12-1.75 X 55mm
4	56009289	1	Nut, Retainer 1/4-20 <b>TSB-FC-2016-250 NOTE 1, NOTE 2</b>
5	56110817	1	Nut, Castle 7/8-14
6		1	Steering ASM
7	56414198	1	Wheel-Drive-AC (M1) <b>TSB-FC-2016-264</b>
7a	56414211	1	Screw Kit-M10x30
7b	56414212	1	Screw Kit- M6x30
7c	56414213	1	Hub-Drive Wheel
7d	56414214	1	Wheel-3.94x350
7e	56414215	1	Bearing-Drive Wheel
7f	56414216	1	Terminal Cover Kit
7g	56385392	1	Tire Puller Kit
7h	56384866	1	Plug-Hole-20MM <b>TSB-FC-2016-264 NOTE 4</b>
7i	56385140	1	Wheel Drive Motor Kit
7j	56118177	1	Drive Motor Encoder Kit
7k	56385388	4	Screw-Drive Wheel Motor-M8
8	56384935	1	Spindle Kit-Front <b>NOTE 3</b>
9	56414206	1	Splash-Guard <b>TSB-FC-2016-250 NOTE 1, NOTE 2</b>
10	56483135	1	Cap. Grease
11	56492697	1	Bearing, Cup
12	56492699	1	Bearing, Cone
13	56492700	1	Bearing, Cone
14	56492702	1	Bearing, Cup
15	56493191	1	Seal, Radial Lip
16	56496276	1	Clamp, Hose Support <b>TSB-FC-2016-250 NOTE 1, NOTE 2</b>
17	56497241	1	Bushing
18	56384933	1	Front Spindle Weldment
19	56384932	1	Plate-Steering
20	56002734	2	Pin-Spr .31 x 1

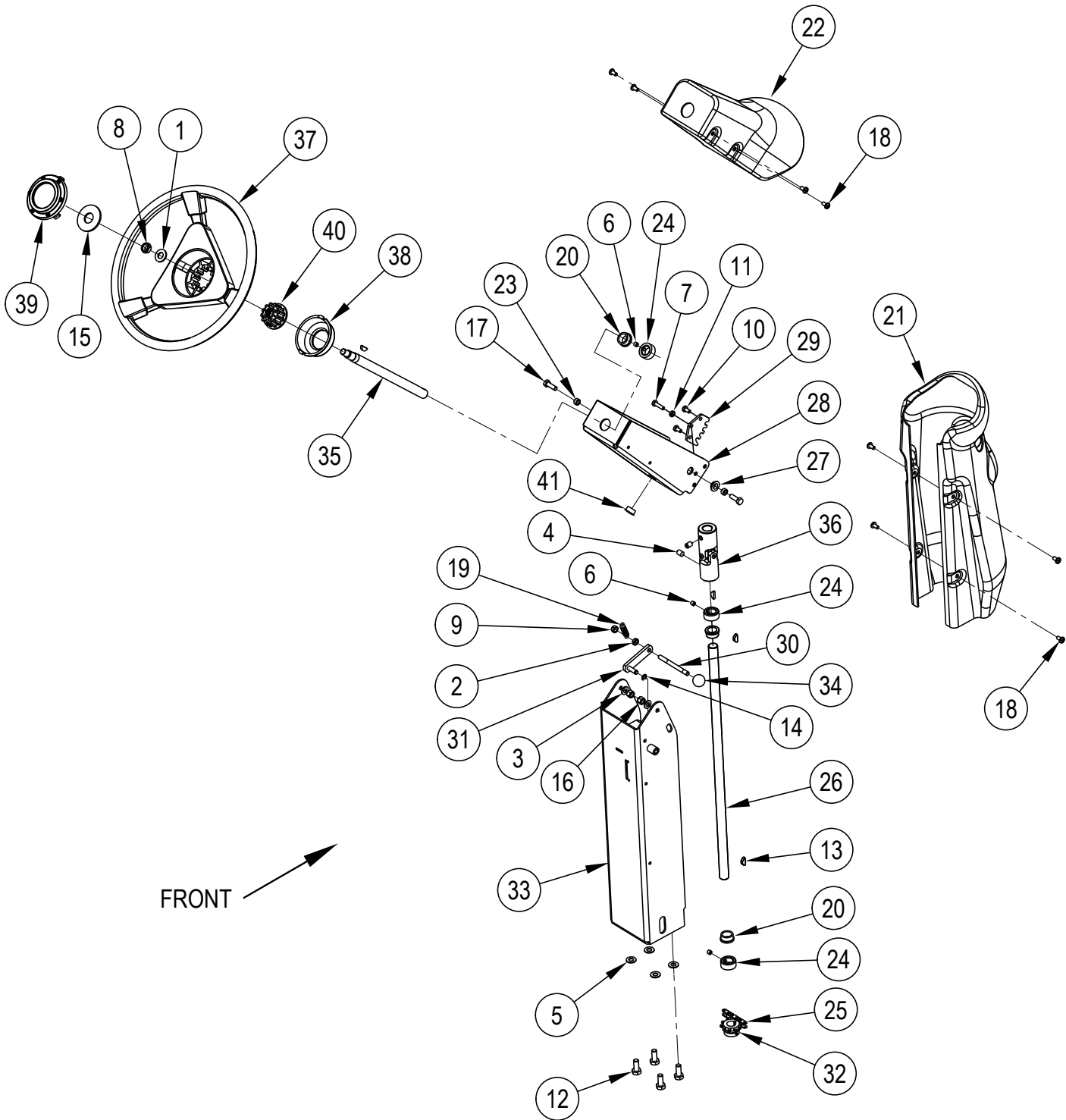
**NOTE 1:** For machines built before serial number 1000061187, order the Traction Harness Kit 56384713 for service repair.

**NOTE 2:** Starting at serial number 1000061187 and above, the Traction Harness and routing changed to improve the life of the harness.

**NOTE 3:** Machines built before serial number 1000062888 that have Front Spindle Weldment 56414201 need to order the Front Spindle Kit 56384935 for service repair or replacement.

**NOTE 4:** Not on machines built after October 2017.

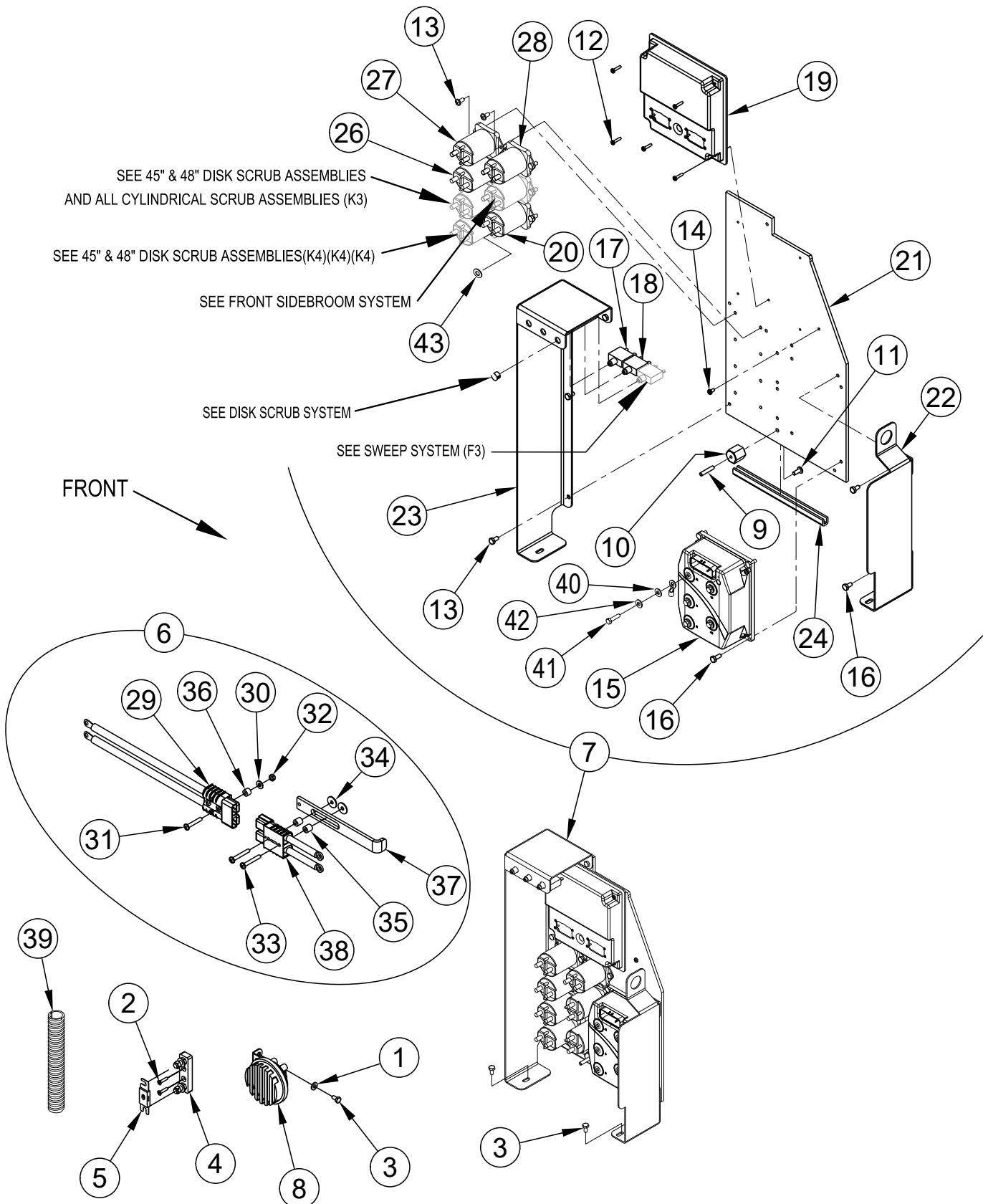
### DRIVE WHEEL SYSTEM-STEERING ASSY



## DRIVE WHEEL SYSTEM-STEERING ASSY

Item	Ref. No.	Qty	Description
1	56001879	1	Wsh-Flt Sae 1/2
2	56001884	1	Nut, Hex Jam 5/16-24
3	56001939	2	Wsh, Flt Sae 5/16
4	56001958	2	Scr, Soc Set Loc 3/8-16 X .50
5	56002063	4	Wsh, Flt Sae 3/8
6	56002086	3	Scr, Soc Set Loc 5/16-18 X .25
7	56002093	1	Scr-Hex 1/4-20 X 1.00
8	56002843	1	Nut, Hex Nyl Loc-Thin 1/2-13
9	56002866	1	Nut, Hex Nyl Loc-Thin 5/16-24
10	56003039	2	Scr-Hex Hd Loc 1/4-20x.50
11	56003145	1	Nut-Hex Jam Ss 1/4-20
12	56003186	4	Scr, Hex Thd To Hd M10-1.5 X 25mm
13	56003228	4	Key, Wdf .75 X .19
14	56003261	1	Ring, Ret Ext Type E 0.31 Dia
15	56003342	1	Wsh-Flt .88x2.25x.13
16	56003389	2	Nut-Hex Nyl Loc M8-1.25
17	56003436	2	Scr-Hex Ss M8-1.25 X 25mm
18	56009062	8	Scr, Pan Phil Thd Form 1/4-20 X .50
19	56112054	1	Spring, Extension .43 X .175
20	56250414	3	Bearing, Flange
21	56314295	1	Shroud, Lower Column
22	56314296	1	Shroud Upper Column
23	56320595	2	Bushing .32x.50x.28
24	56367095	3	Collar, Shaft
25	56412198	1	Chain, Roller
26	56413175	1	Shaft, Lower Steering
27	56413211	2	Bearing, Flange .625 X .500 X .250
28	56413657	1	Column, Upper
29	56414075	1	Ratchet-Steering Column
30	56414078	1	Rod-Tilt Wheel
31	56414081	1	Steering Pawl Weldment
32	56414082	1	Sprocket-10 Tooth
33	56414084	1	Lower Column Weldment
34	56414088	1	Knob-Tilt Wheel
35	56420059	1	Shaft, Upper Steering
36	56454081	1	Universal Joint
37	56497306	1	Steering Wheel
38	56497308	1	Cap
39	56497543	1	Cap
40	56497560	1	Wheel Adapter
41	56900041	1	Plug, Cap

### ELECTRICAL SYSTEM



## ELECTRICAL SYSTEM

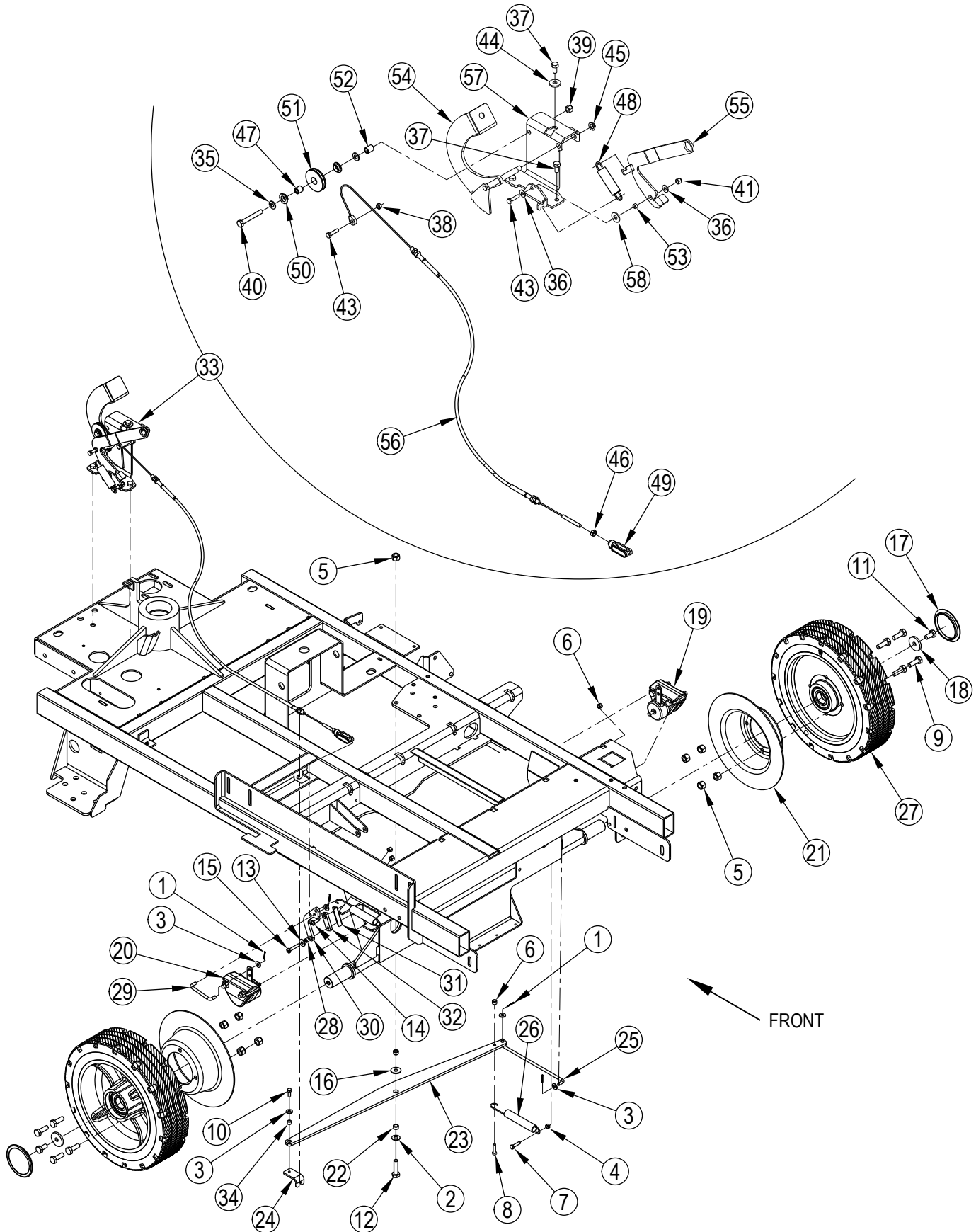
Item	Ref. No.	Qty	Description
1	56002098	1	Wsh, Flt SAE 1/4
2	56002417	2	Scr, Flt Phil 10-24 X .88
3	56009033	3	Scr, Hex Thd Form 1/4-20 X .50
4	56303295	1	Fuse Block
5	56410044	1	Fuse, 250 Amp (F4)
6	56413067	1	Disconnect, Battery (#29-38)
7		1	Electrical Component Assy (#9-28)
8	56482365	1	Horn 36v (H4)
9	56009203	1	Stud, 1/4-20
10	56469858	1	Electrical Mount
11	56002066	1	Scr, Pan Phil 1/4-20 X .62
12	56003698	5	Scr, Pan Phil Thd Form 8-32 X .75
13	56009033	15	Scr, Hex Thd Form 1/4-20 X .50
14	56009030	1	Scr, Pan Phil Thd Form 10-24 X .38
15	56414210	1	Speed Control (A1)
16	56009250	4	Scr Hex Thd Form 1/4-20x.62
17	56413406	1	Circuit Breaker, 3.0 Amp (Control / F1)
18	56413407	1	Circuit Breaker, 15 Amp (Auxiliary / F2)
19	56414222	1	Pcb Box Assembly (A2)
20	56413516	1	Contacto, 36vdc 200A (Main / K7)
21	56414199	1	Mount, Electrical
22	56413623	1	Mount, Electrical Panel
23	56413627	1	Mount, Electrical
24	56413841	1	Edge Trim, .25
26	56413516	1	Contacto, 36vdc 200A (Right Brush / K2)
27	56413516	1	Contacto, 36vdc 200A (Vacuum / K1)
28	56413516	1	Contacto, 36vdc 200A (Auxiliary / K5)
29	56409444	1	Connector Assy
30	56002098	1	Wsh, Flt SAE 1/4
31	56002786	1	Scr, Pan Phil 1/4-20 X 1.50
32	56002840	1	Nut, Hex Nyl Loc-Thin 1/4-20
33	56002997	2	Scr, Pan Phil 1/4-20 X 1.75
34	56009002	2	Wsh, Flt .266 X .906 X .060
35	56046309	2	Spacer, Phenolic
36	56050872	1	Spacer, Phenolic
37	56413132	1	Bar, Disconnect
38	56413217	1	Connector Assy
39	56413847	1	Conduit
40	56002098	5	Wsh, Flt Sae 1/4
41	56003358	5	Scr-Hex M6-1 X 25mm
42	56009064	5	Wsh, Int Shprf 1/4
43	56009052	1	Wsh, Int-Shprf 5/16
[ ]	56409485	5	Cable, Battery
[ ]	56414097	1	Harness-Main
[ ]	56384713	1	Traction Harness Kit TSB-FC-2016-250 NOTE 1
[ ]	56414231	1	Harness-Traction NOTE 2
[ ]	56413219	1	Cable Asm, Blk 4-1
[ ]	56413220	1	Cable Asm, Red 1-3
[ ]	56413221	1	Cable Asm, Red 6-1
[ ]	56413222	1	Cable Asm, Red 4-1
[ ]	56478246	5	Tie, Cable
[ ]	56477613	32	Tie, Cable

[ ] = Not Shown

NOTE 1: For machines built before serial number 1000061187, order the Traction Harness Kit 56384713 for service repair.

NOTE 2: Starting at serial number 1000061187 and above, the Traction Harness and routing changed to improve the life of the harness.

### REAR WHEEL SYSTEM

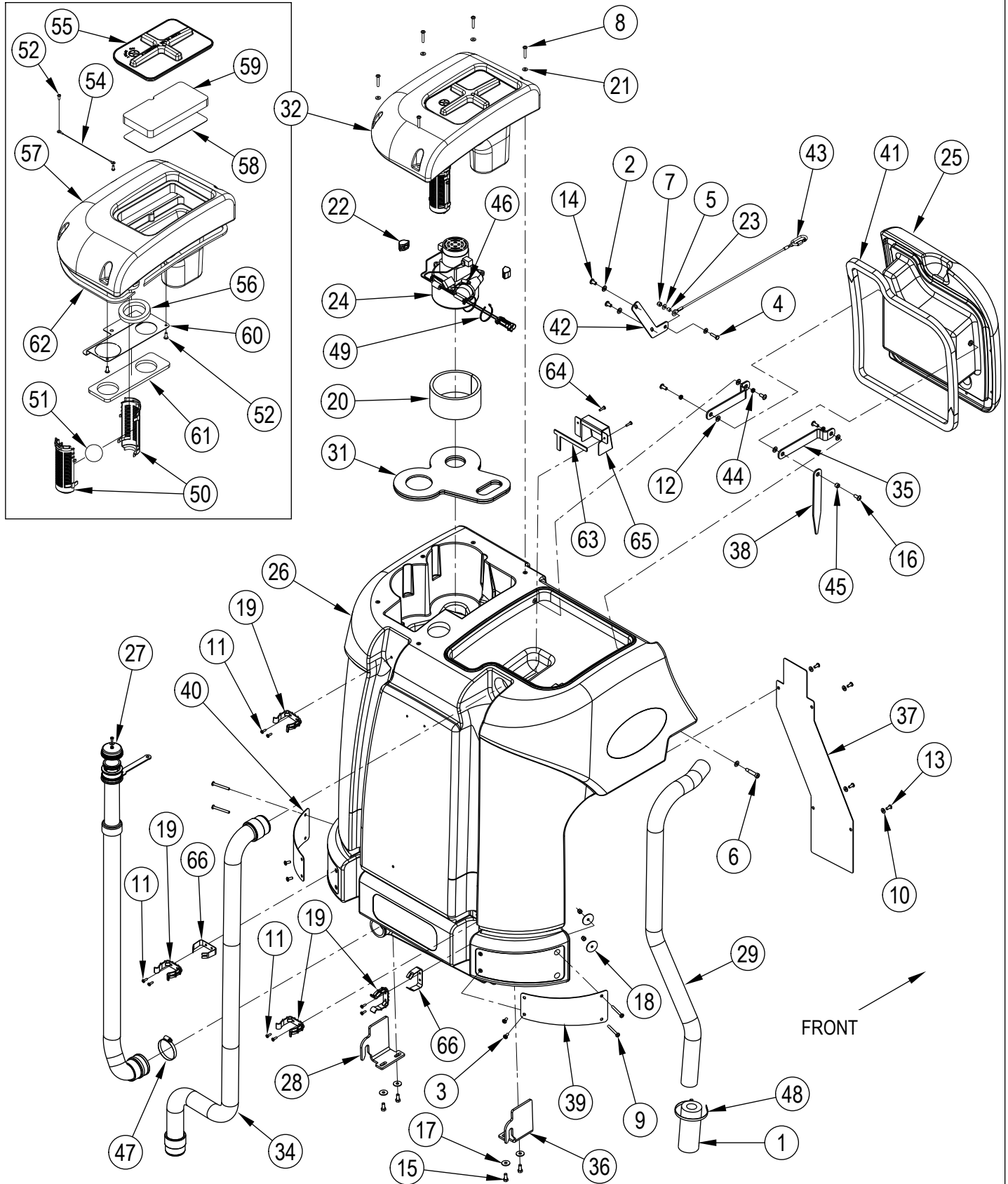


## REAR WHEEL SYSTEM

Item	Ref. No.	Qty	Description
1	56001882	4	Pin-Cotter 1/16 x 3/4
2	56002063	1	Wsh, Flt SAE 3/8
3	56002098	5	Wsh, Flt SAE 1/4
4	56003350	1	Nut-Hex M6-1
5	56003406	9	Nut-Hex Nyl Loc M10-1.5
6	56003426	4	Nut, Hex Nyl Loc Ss M6-1
7	56003430	1	Scr-Hex Ss M6-1 x 25mm
8	56003430	1	Scr Hex Ss M6-1.00 x25mm
9	56003439	8	Scr-Hex Ss M10-1.5 x 30mm
10	56003441	1	Scr, Hex Loc M6-1 x 16mm
11	56003442	2	Scr, Hex Loc M10-1.5 x 20mm
12	56003491	1	Scr-Hex M10-1.5 X 40mm
13	56003638	1	Wsh, Flt Ss 6mm
14	56003896	1	Scr-Pan Phil Ss M6-1 x 20mm
15	56003950	1	Scr-Pan Phil Ss M6-1 x 35mm
16	56009213	1	Wsh-Flt .392 x 1.00 x.075
17	56116032	2	Cap-Hub
18	56367117	2	Wsh, Flt .406 x 1.5 x .1875
19	56413024	1	Brake-Ccw Rh
20	56413025	1	Brake-Cw Lh
21	56413293	2	Rotor
22	56413498	2	Spacer-Bushing .410 x.500 x.280
23	56413500	1	Equalizer
24	56413501	1	Yoke
25	56413598	1	Linkage, Brake
26	56413812	2	Spring Ng
27	56414062	2	Wheel-Rear-14in-3.5in
[ ]	56414064	4	Bearing-Ball-30mm x 62mm x 16mm for 56414062 (2 per wheel)
28	56414076	1	Bushing .257 x .375 x .265
29	56414089	1	Link-Brake
30	56414090	1	Lever-Brake
31	56414092	1	Stop-Lever
32	56414093	1	Spacer-Lever
33		1	Brake Pedal Assy (#35-58)
34	56453849	1	Bushing .26 x.37 x.28
35	56002938	2	Wsh, Flt SAE SS 5/16
36	56002098	2	Wsh, Flt SAE 1/4
37	56002929	3	Scr-Hex Hd Loc 5/16-18x.62
38	56003350	1	Nut-Hex M6-1
39	56003389	1	Nut-Hex Nyl Loc M8-1.25
40	56003398	1	Scr-Hex M8-1.25 x 60mm
41	56003403	1	Nut-Hex Nyl Loc M6-1
43	56003695	2	Scr-Hex Thd to Hd SS M6-1 x 25mm
44	56009122	1	Wsh, Flt .344 x .938 x .125
45	56009123	1	Nut, Push Cap 3/8
46	56009142	1	Nut, Hex Machine 1/4-28
47	56228052	1	Bushing .31 x .50 x .53
48	56397348	1	Spring, Extension
49	56407133	1	Yoke, Clevis
50	56413211	2	Bearing, Flange .625 x .500 x .250
51	56413508	1	Pulley
52	56413787	1	Spacer
53	56413888	1	Bushing .265 x .375 x .180
54	56413989	1	Brake Pedal Weldt
55	56384105	1	Lever-Pawl-Brake
56	56414127	1	Cable Assy
57	56384106	1	Bracket-Brake Pedal
58	56632681	1	Washer, 3/8 PL. Nylon

[ ] = Not Shown

### RECOVERY SYSTEM





## RECOVERY SYSTEM

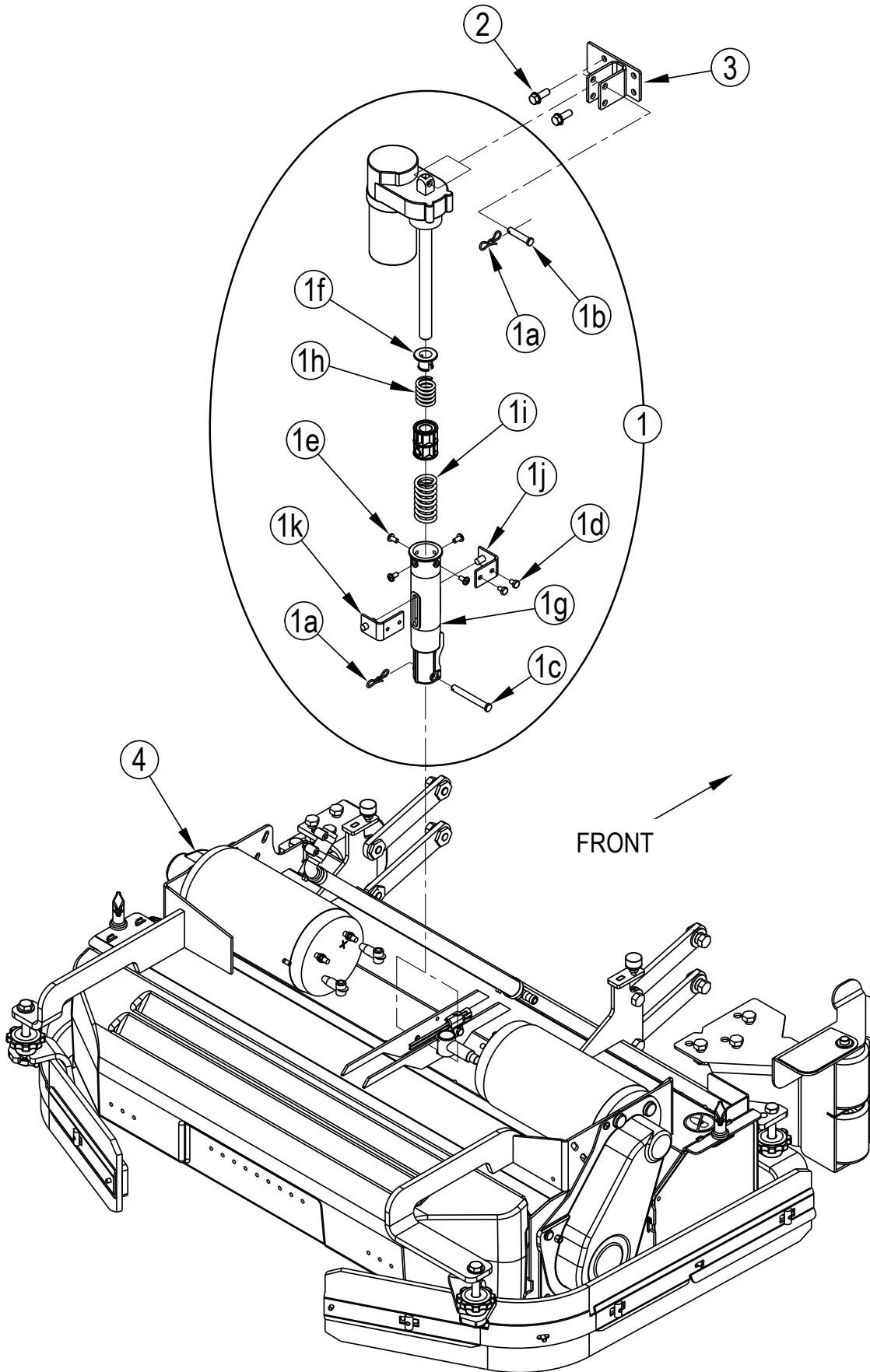
Item	Ref. No.	Qty	Description	Item	Ref. No.	Qty	Description
1	56391807	1	Foam, Acoustical	34	56384655	1	Hose-Vacuum-Pu Kit TSB-FC-2015-046
2	56001939	3	Wsh, Flt SAE 5/16	35	56413404	2	Arm, Lid Hinge
3	56002066	4	Scr, Pan Phil 1/4-20 x .62	36	56413555	1	Hinge Plate, Right
4	56002507	1	Scr, Pan Phil 1/4-20 x .75	37	56413577	1	Panel, Exhaust
5	56002098	2	Wsh, Flt SAE 1/4	38	56413589	1	Prop
6	56002624	1	Scr, Soc Shd .38 x 1.25 x 5/16-18	39	56413960	1	Bumper-Right Rear
7	56002708	5	Nut, Hex Nyl Loc 1/4-20	40	56413961	1	Bumper-Left Rear
8	56002905	5	Scr Pan Phil SS 1/4-20 x 1.50	41	56414192	1	Recovery Lid Gasket Assy
9	56002788	4	Scr, Pan Phil 1/4-20 x 2.25	42	56413458	1	Plate, Cable Mount
10	56002859	4	Wsh, Flt SAE SS 1/4	43	56382992	1	Cable Assy-Quick Link-19.5 IN
11	56002896	8	Scr, Pan Phil SS 10-24 x .62	44	56413800	3	Bushing .32 x.50 x.18
12	56002938	4	Wsh, Flt SAE SS 5/16	45	56413801	1	Bushing .32 x.50 x.35
13	56002989	4	Scr, Pan Phil SS 1/4-20 x .62	46	56440213	1	Clamp, Hose SAE #32
14	56003003	2	Scr, Pan Phil 5/16-18 x .62	47#	56456797	1	Clamp, Hose SAE #36
15	56003012	4	Scr, Hex SS 5/16-18 x .75	48	56477613	1	Tie, Cable
16	56003014	4	Scr, Pan Phil Ss 5/16-18 x .75	49	56478246	1	Tie, Cable
17	56003696	4	Wsh, Flt SS .33 x 1.00 x.060	50	56324497	2	Cage, Float
18	56009225	4	Wsh, Fender .281 x 1.50 x.074	51	56391690	1	Ball, Float
19	56212236	4	Clamp, Plastic	52	56009191	4	Scr, Pan Phil Plastite 10-14 x .50
20	56314488	1	Muffler, Vac	53			DELETED
21	56003923	5	Wsh-Flt SS .266 x .906 x .060	54	56314400	1	Wire Rope, 9 Inch
22	56315141	2	Mount, Vibration	55	56109539	1	Vac Filter Lid
23	56368989	1	Bushing	56	56314760	1	Gasket, Vacuum Duct
24	56410065	1	Vac Motor Assy (M5)	57	56413155	1	Top, Recovery Tank
25	56413091	1	Lid, Recovery Tank	58	56413194	1	Screen, Filter
26	56413150	1	Tank, Recovery	59	56413195	1	Filter
27	56384012	1	Hose-Drain-Pu	60	56413408	1	Plate, Vac Cover
*	56601411	1	Drain Hose Cap Kit	61	56413416	1	Gasket, Vac Fan Top
28	56413163	1	Mount, Recovery Tank	62	56383979	1	Gasket-Strip-59 x.5 x.25
29	56413171	1	Hose, Vac 2.00 x 42.00 x 975018	63	56414176	1	Gasket-Strip .12 x.5 x 7.5
31	56382651	1	Seal Assembly Vac Fan	64	56009005	2	Scr Panphils Type Ab 10-16 x.75
32	56413196	1	Top Cover Assy (50-62)	65	56414134	1	Deflector-Water
[33]	56383247	1	Harness-Recovery Tank	66	56385477	2	Clip-Spring

[ ] = Not Shown

\* = Optional, Not Included

# = Revised or new since last update

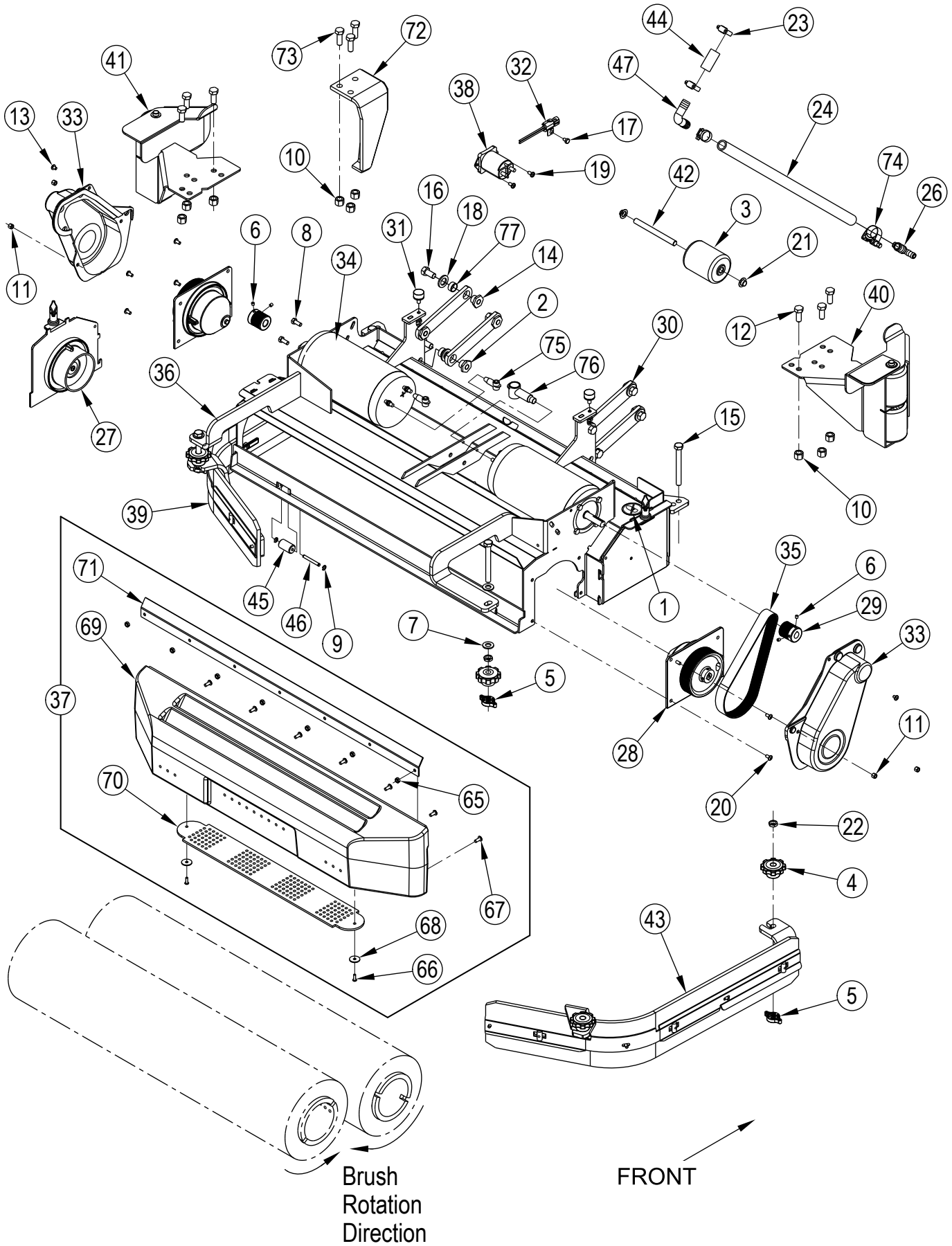
### SCRUB SYSTEM-CYLINDRICAL



**SCRUB SYSTEM-CYLINDRICAL**

<b>Item</b>	<b>Ref. No.</b>	<b>Qty</b>	<b>Description</b>
1	56383970	1	Deck Actuator Kit (M2)
1a	56004040	2	Pin-Bow Tie-5/16-3/8 x 1.88 x .091
1b	56003597	1	Pin-Clevis .375 X 1.75
1c	56003704	1	Pin-Clevis .38 X 3.00
1d	56009019	2	Scr. Hex Thd Form 1/4-20 X .38
1e	56009062	4	Scr. Pan Phil Thd Form 1/4-20 X .50
1f	56383887	1	Cap-Actuator Spring
1g	56412262	1	Housing Spring
1h	56413828	1	Spring, Upper Housing
1i	56413829	1	Spring, Lower Housing
1j	56420019	1	Nut Retainer
1k	56420020	1	Nut Retainer
2	56002256	2	Scr. Hex Type 1 3/8-16 X 1.00
3	56413455	1	Mount Weldment
4	56414119	1	40 In Cyl Scrub Assy
	56414121	1	45 In Cyl Scrub Assy
	56414120	1	48 In Cyl Scrub Assy

### SCRUB SYSTEM-CYLINDRICAL-SCRUB ASSY

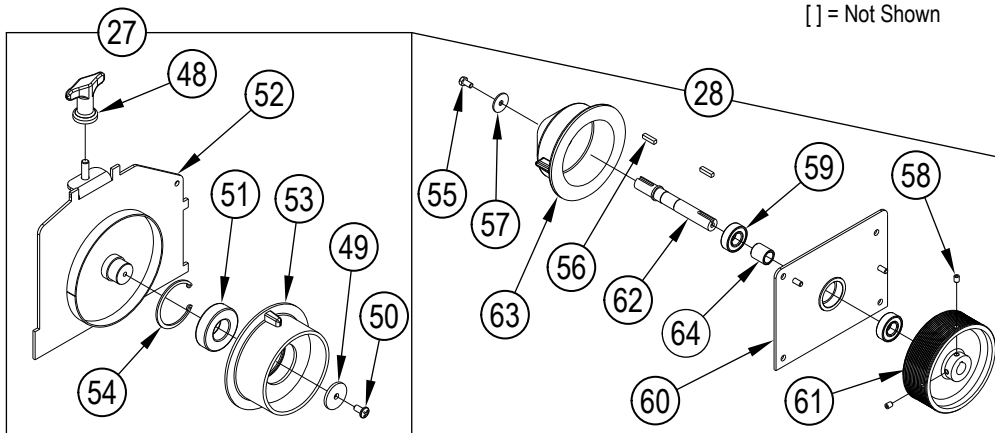


### SCRUB SYSTEM-CYLINDRICAL-SCRUB ASSY

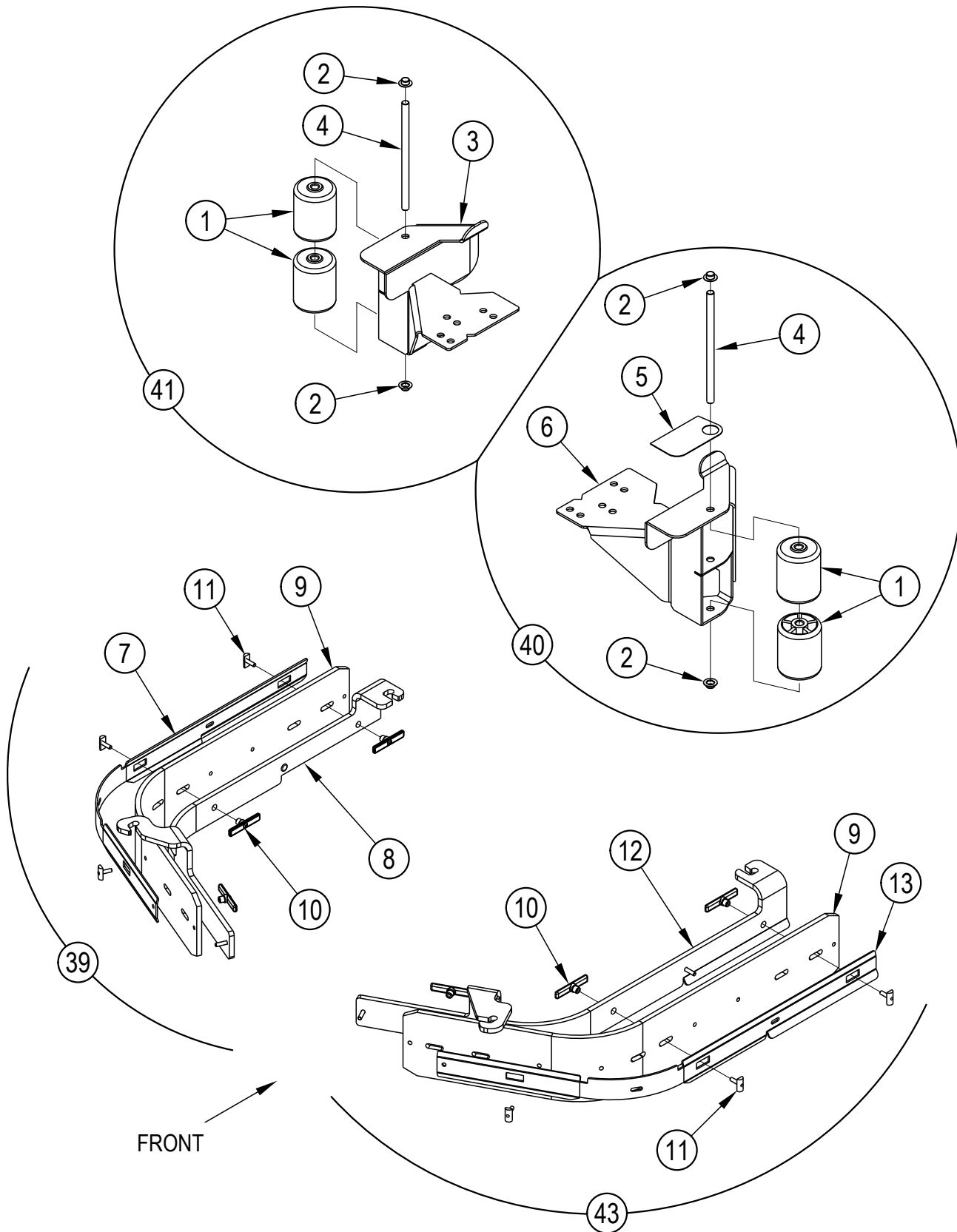
Item	Ref. No.	Qty	Description
	56414119	1	40 In Cyl Scrub Assy
	56414121	1	45 In Cyl Scrub Assy
	56414120	1	48 In Cyl Scrub Assy
1	56016163	2	Decal, No Step
2	56380646	2	Bushing Cam 1/2-20 3/4 Od
3	56407006	2	Wheel, Roller
4	56380149	4	Knob-M12-1.75 Thru
5	56601578	4	Knob
6	56001841	4	Scr. Soc Set Loc 1/4-20 x .25
7	56001879	4	Wsh, Flt SAE 1/2
8	56003179	8	Scr-Hex Thd to Hd M8-1.25 x 20mm
9	56003268	4	Ring, Ret Ext Type E Reinf. 0.25 Dia
10	56003312	14	Nut, Hex Nyl Loc M12-1.75
11	56003403	6	Nut, Hex Nyl Loc M6-1
12	56003453	6	Scr. Hex M12-1.75 x 305mm
13	56003627	2	Scr. Pan Phil M6-1 x 16mm
14	56380614	6	Bushing 1/2-20 x 3/4 Od
15	56003707	4	Scr. Hex Thd To Hd M12-1.75 x 110mm
16	56003909	8	Scr-Hex Ss 1/2-20 x 1.00
17	56009019	1	Scr. Hex Thd Form 1/4-20 x .38
18	56009022	8	Wsh, Flt .754 X 1.250 x .120
19	56009062	2	Scr. Pan Phil Thd Form 1/4-20 x .50
20	56003897	8	Scr-Pan Phil Loc Ss 1/4-20 x.50
21	56009097	4	Nut, Push Cap 1/2
22	56003657	4	Nut Hex Jam M12-1.75
23	56112771	4	Clamp, Hose SAE #10
24	56303394	1	Hose, Spiral .75 x 25.00
26	56305760	1	Tee, Barb 3/4 x 1/2 x 1/2
27	56414164	2	Broom Idler Assy (48-54)
28	56414123	2	Broom Drive Lug Assy (55-64)
29	56414124	2	Sheave, Poly V
30	56380153	2	Arm Parallel 6 In
31	56413714	2	Bumper Rubber
32	56413393	1	Resistor Assy, 10k Ohm (40" / R2)
	56413391	1	Resistor Assy, 40k Ohm (45" & 48" / R2)
33	56414178	2	Belt Guard Assy
34	56382654	2	Kit 36VDC 1.5HP Motor (M9 / M10)
[ ]	56381479	1	Kit Brush Amer Motor (for 56382654)
35	56414125	2	Belt-Auto Tension
36	56413962	1	Cyl Scrub Deck Weldt-40 (40")
	56413963	1	Cyl Scrub Deck Weld't-45 (45")
	56413964	1	Cyl Scrub Deck Weld't-48 (48")
37	56413331	1	Hopper Assembly-40 (40") (65-71)
	56413443	1	Hopper Assembly-45 (65-71)
	56413346	1	Hopper Assembly-48 (48") (65-71)
38	56413516	1	Contact, 36vdc 200A (K3)

Item	Ref. No.	Qty	Description
39	56413871	1	Left Skirt Assembly (40")
	56413556	1	Left Skirt Assembly (45" & 48")
40	56414139	1	Right Guard Assy
41	56414140	1	Left Guard Assy (45" & 48")
42	56413596	2	Pin
43	56413609	1	Right Skirt Assembly
44	56413813	1	Hose, .75 Clear PVC
45	56413817	2	Roller, Rear
46	56413818	2	Pin
47	56900272	1	Barb, 3/4 90 Deg. Elbow
48	56414161	1	Knob-Thumb Nut
49	56009199	1	Wsh, Flt Brass .266 x 1.250 x .125
50	56009069	1	Scr. Pan Phil Loc 1/4-20 x .50
51	56111531	1	Bearing- Ball
52	56394331	1	Broom Hanger
53	56109690	1	Idler, Brush
54	56003314	1	Ring, Retainer
55	56003155	1	Scr. Hex M6-1 x 12mm
56	56003238	2	Key, Sq .19 x .78
57	56009060	1	Wsh, Flt SS .260 x 1.000 x .074
58	56002930	2	Scr. Soc Set Loc 1/4-20 x .38
59	56303050	2	Bearing, Ball
60	56384572	1	Broom Hanger
61	56414122	1	Sheave, Poly V
62	56413620	1	Shaft, Broom Drive Lug
63	56109628	1	Drive Lug
64	56413877	1	Spacer
65	56002850	7	Nut, Hex Nyl Loc-Thin Ss 1/4-20
66	56002896	2	Scr. Pan Phil SS 10-24 x .62
67	56002989	7	Scr. Pan Phil SS 1/4-20 x .62
68	56009060	2	Wsh, Flt SS .260 X 1.000 x .074
69	56413333	1	Hopper, 40 In. (40")
	56413444	1	Hopper, 45 In. (45")
	56413348	1	Hopper, 48 In. (48")
70	56413338	1	Screen, Hopper-40 In. (40")
	56413446	1	Screen, Hopper-45 In. (45")
	56413349	1	Screen, Hopper-48 In. (48")
71	56413339	1	Threshold, Hopper-40 In. (40")
	56413447	1	Threshold, Hopper-45 In. (45")
	56413350	1	Threshold, Hopper-48 In. (48")
72	56413965	1	Roll Bar Weldt (40")
73	56003453	3	Scr Hex Ss M12-1.75 x 35mm (40")
74	56394097	1	Clamp-Hose-29mm-31mm
75	56409538	3	Insulator, Terminal
76	56493357	1	Insulator, Terminal
77	56380152	8	Bearing IGUS

[ ] = Not Shown



### SCRUB SYSTEM-CYLINDRICAL-SKIRT & BUMPER ASSY



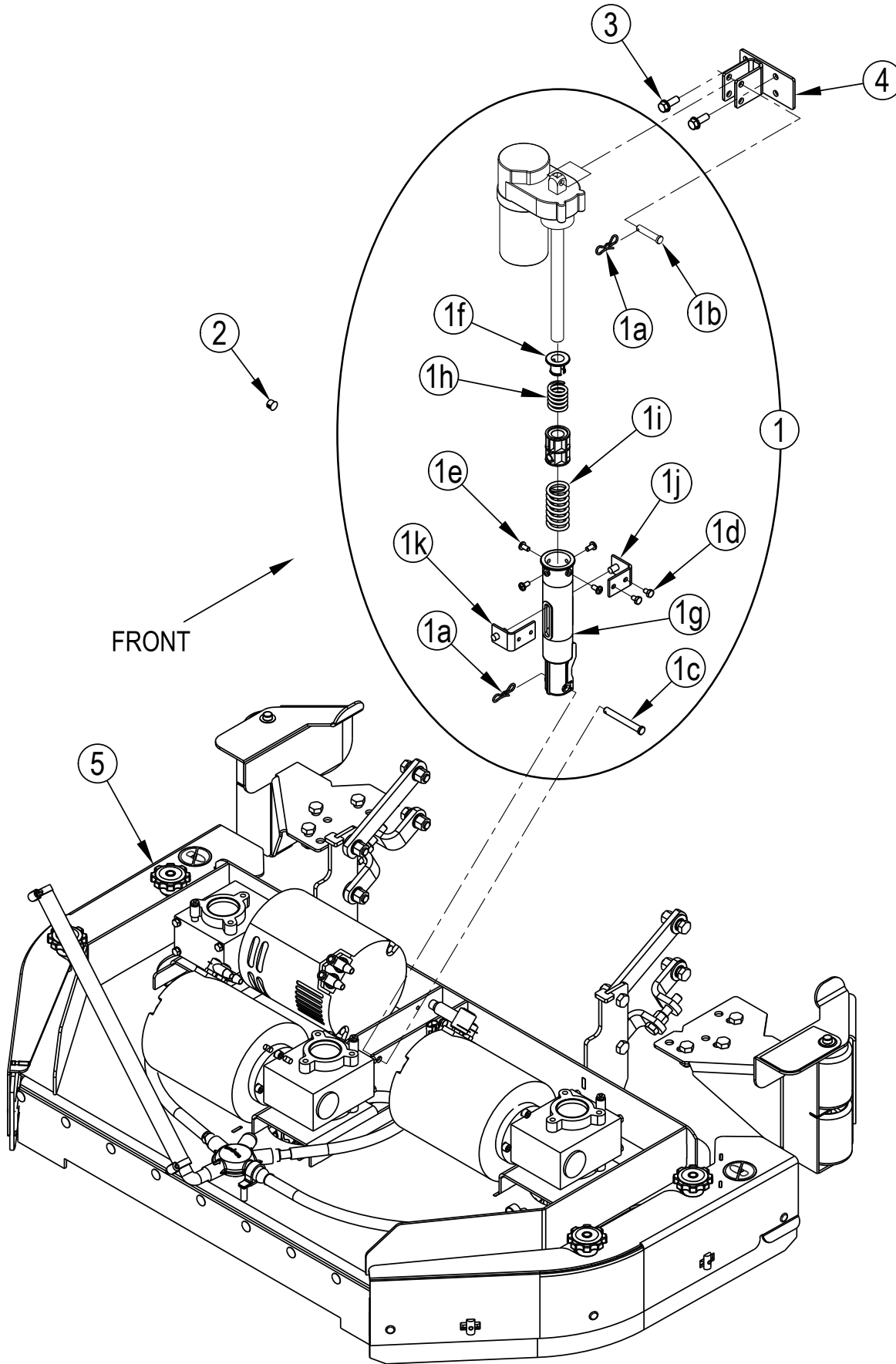
## SCRUB SYSTEM-CYLINDRICAL-SKIRT & BUMPER ASSY

Item	Ref. No.	Qty	Description
39	56413871	1	Left Skirt Assembly (#7-11 / 40")
39	56413556	1	Left Skirt Assembly (#7-11 / 45" & 48")
40	56414139	1	Right Guard Assy (#1, 2, 4, 5, 6)
41	56414140	1	Left Guard Assy (#1-4 / 45" & 48")
43	56413609	1	Right Skirt Assembly (#9-13)
1	56407006	4	Wheel, Roller
2	56009097	4	Nut, Push cap 1/2
3	56414136	1	Left Guard Weldt
4	56413590	2	Pin
5	56413721	1	Grip Surface
6	56414135	1	Right Guard Weldt
7	56413860	1	Strap, Skirt-LT
8	56413969	1	Left Bracket Weldt-40 (40")
	56413970	1	Left Bracket Weldt 45-48 (45" & 48")
9#	56413654	2	Blade - Skirt, Linatex
*	56413820	2	Skirt, Gum Rubber
*	56413743	2	Skirt, Polyurethane
10	56413717	6	Thumb Nut
11	56413850	6	Skirt Retainer Assy
12	56413971	1	Right Bracket Weldt
13	56413857	1	Strap, Skirt-RT

\* = Optional, Not Included

# = Revised or new since last update

### SCRUB SYSTEM-DISK

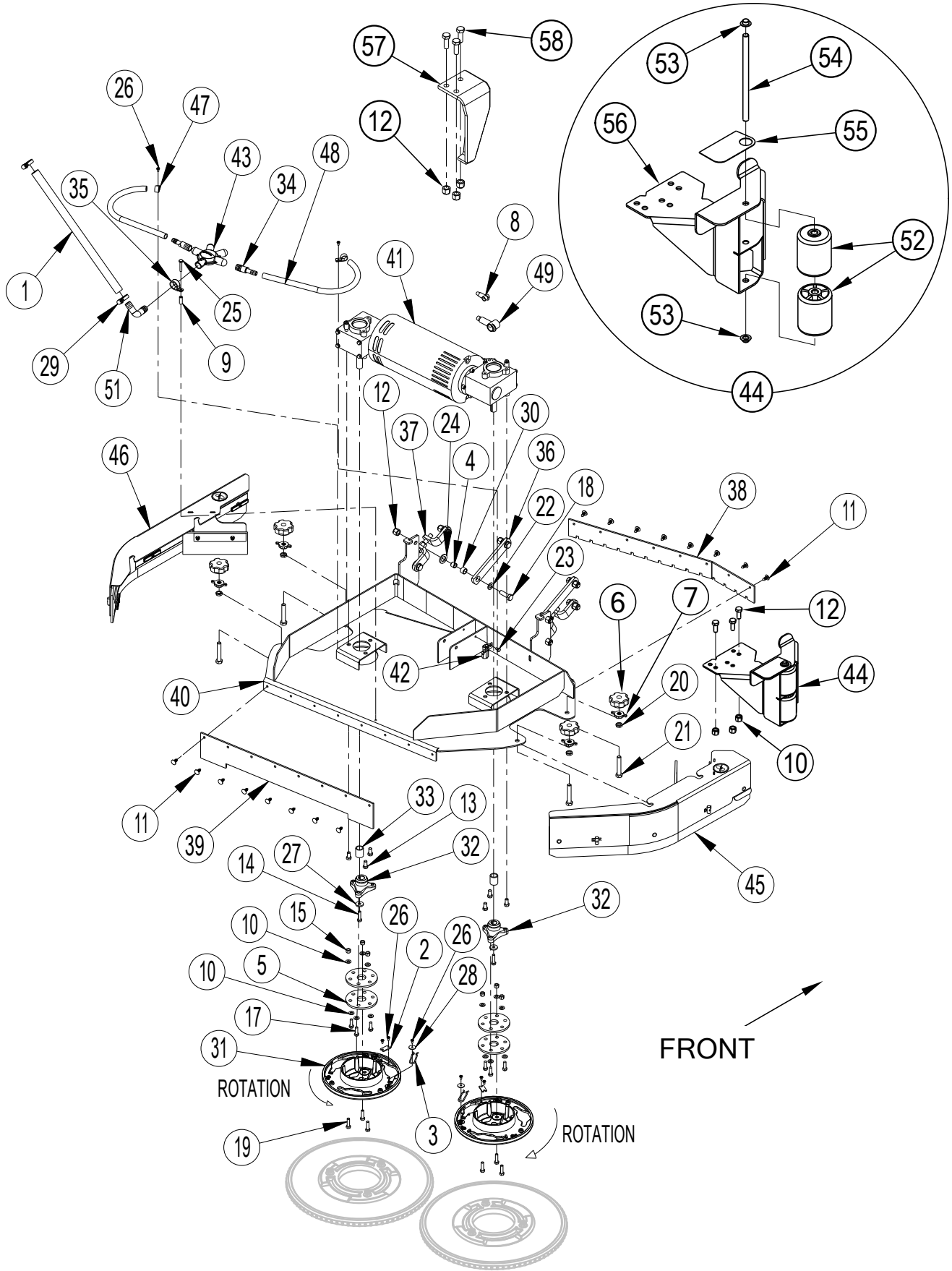




**SCRUB SYSTEM-DISK**

<b>Item</b>	<b>Ref. No.</b>	<b>Qty</b>	<b>Description</b>
1	56383970	1	Deck Actuator Kit (M2)
1a	56004040	2	Pin-Bow Tie-5/16-3/8 x 1.88 x .091
1b	56003597	1	Pin-Clevis .375 X 1.75
1c	56003704	1	Pin-Clevis .38 X 3.00
1d	56009019	2	Scr. Hex Thd Form 1/4-20 X .38
1e	56009062	4	Scr. Pan Phil Thd Form 1/4-20 X .50
1f	56383887	1	Cap-Actuator Spring
1g	56412262	1	Housing Spring
1h	56413828	1	Spring, Upper Housing
1i	56413829	1	Spring, Lower Housing
1j	56420019	1	Nut Retainer
1k	56420020	1	Nut Retainer
2	56323560	1	Plug, Cap
3	56002256	2	Scr. Hex Type 1 3/8-16 X 1.00
4	56413455	1	Mount Weldment
5	56414165	1	Scrub Assembly-40 In Disk
	56414166	1	Scrub Assembly-45 In Disk
	56414167	1	Scrub Assembly-48 In Disk

### SCRUB SYSTEM-DISK-40 INCH SCRUB ASSY



FRONT

ROTATION

ROTATION

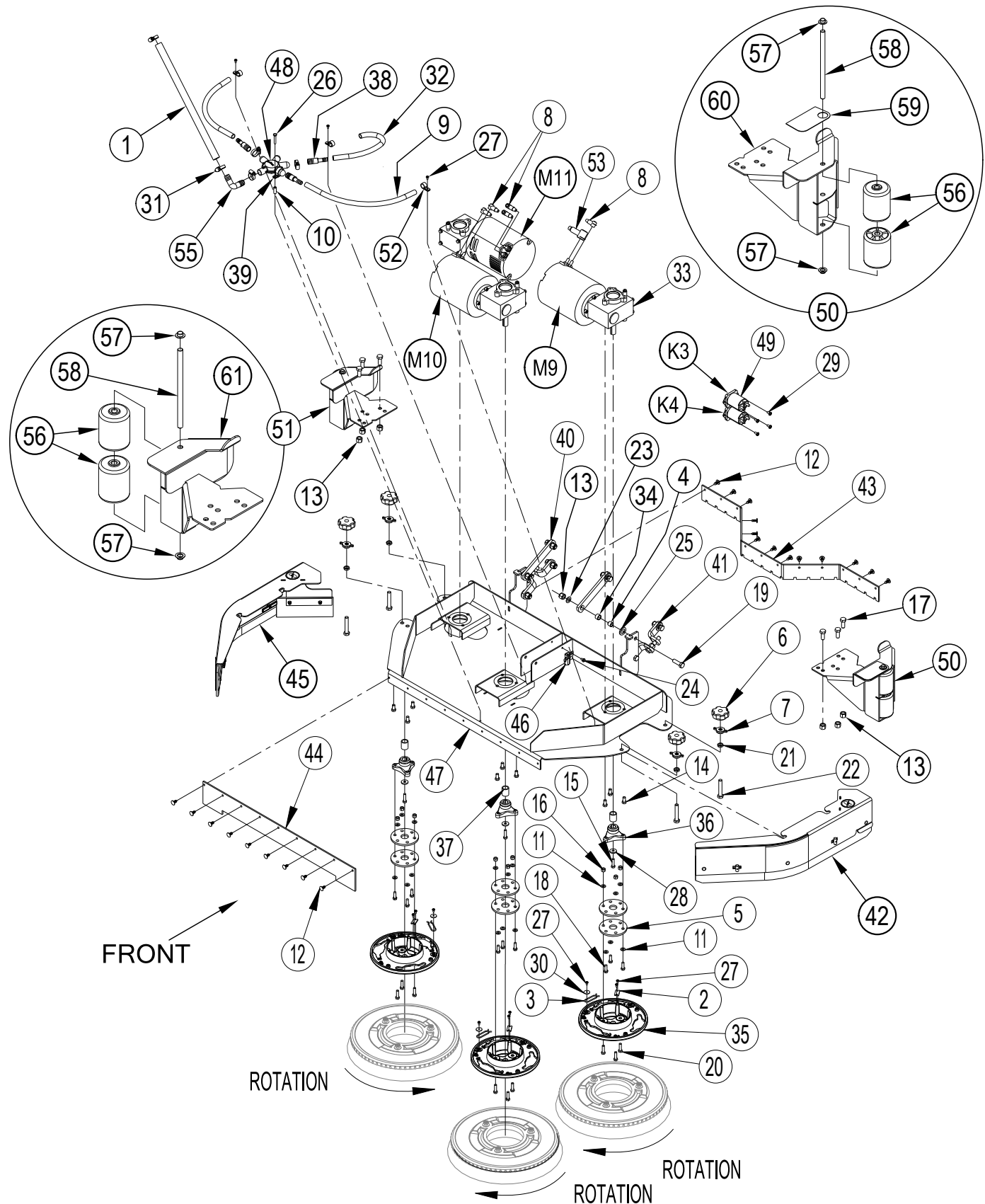
**SCRUB SYSTEM-DISK-40 INCH SCRUB ASSY**

Item	Ref. No.	Qty	Description
	56414165	1	Scrub Assembly-40 In Disk
1	56264262	1	Hose
2	56366455	2	Plate, Stop
3	56366463	2	Spring Retainer
4	56367206	8	Bushing
5	56383238	4	Brush Drive Disc
6	56380149	4	Knob-M12-1.75 Thru
7	56601578	4	Knob
8	56409538	1	Insulator, Terminal
9	56471220	1	Bushing
10	56002938	12	Wsh, Flt Sae Ss 5/16
11	56003263	16	Rivet, Nylon Tree Push-In (.25)
12	56003450	14	Nut Hx Nyl Loc SS M12-1.75
13	56002885	6	Scr, Hex SS 3/8-16 X .75
14	56003372	2	Scr, Hex Loc Ss 5/16-18 X 1.25
15	56003405	6	Nut, Hex Nyl Loc Ss M8-1.25
16	56003905	3	Scr-Hex SS M12-1.75 X 30mm
17	56003477	6	Scr, Hex Loc Ss M8-1 X 25mm
18	56003906	8	Scr-Hex SS M12-1.75 X 40mm
19	56003639	6	Scr, Hex Ss M8-1.25 X 30mm
20	56003657	4	Nut, Hex Jam Ss M12-1.75
21	56003658	4	Scr, Hex Thd To Hd Ss M12-1.75 X 70mm
22	56009017	8	Wsh, Flt Harden .516x.938 X.75
23	56009019	1	Scr, Hex Thd Form 1/4-20 X .38
24	56009022	8	Wsh, Flt .754 X 1.250 X .120
25	56009028	1	Scr, Hex Thd Form 1/4-20 X 1.50
26	56009030	8	Scr, Pan Phil Thd Form 10-24 X .38
27	56009057	2	Wsh, Flt Harden .344x1.000x.120/.135
28	56009096	2	Wsh, Flt .193 X .875 X .060
29	56112771	2	Clamp, Hose Sae #10
30	56304586	8	Bearing .750 X .625 X .500
31	56314030	2	Brush Holder
32	56314108	2	Hub, Drive

Item	Ref. No.	Qty	Description
33	56314109	2	Spacer
34	56315625	2	Barb. Coupler 1/2 X 3/4
35	56410223	1	Clamp, P
36	56413302	2	Arm Parallel 6 In
37	56413303	2	Arm, Adjustable Asm
38	56413318	1	Blade, Front
39	56413319	1	Blade, Rear
40	56413966	1	Weldment-40 Disk
41	56413336	1	Gearbox Assembly, 20" (M9)
[ ]	56410182	1	Bearing B.E. (for 56413336)
[ ]	56410183	1	Bearing F.E. (for 56413336)
[ ]	56412266	1	Brush Board Assy (for 56413336)
[ ]	56407500	1	Brush Assy Kit (for 56413336)
[ ]	56389395	1	Brush Spring Set (for 56413336)
[ ]	56407196	1	Gearbox (for 56413336)
42	56413390	1	Resistor Assy, 1k Ohm (R2)
43	56413426	1	Manifold, Solution
44	56414139	1	Right Guard Assy (#52-56)
45	56413307	1	Right Skirt Assembly
46	56413313	1	Left Skirt Assembly
47	56385564	2	Clamp,P
48	56459064	2	Hose, PVC Clear 21.00 In.
49	56493357	1	Insulator, Terminal
50			<b>DELETED</b>
51	56900272	1	Barb, 3/4 90 Deg. Elbow
52	56407006	2	Wheel, Roller
53	56009097	2	Nut, Push Cap 1/2
54	56413590	1	Pin
55	56413721	1	Grip Surface
56	56414135	1	Right Guard Weldt
57	56413965	1	Roll Bar Weldt 40
58	56003453	3	Scr Hex SS M12-1.75 X 35MM

[ ] = Not Shown

### SCRUB SYSTEM-DISK-45 & 48 INCH SCRUB ASSY



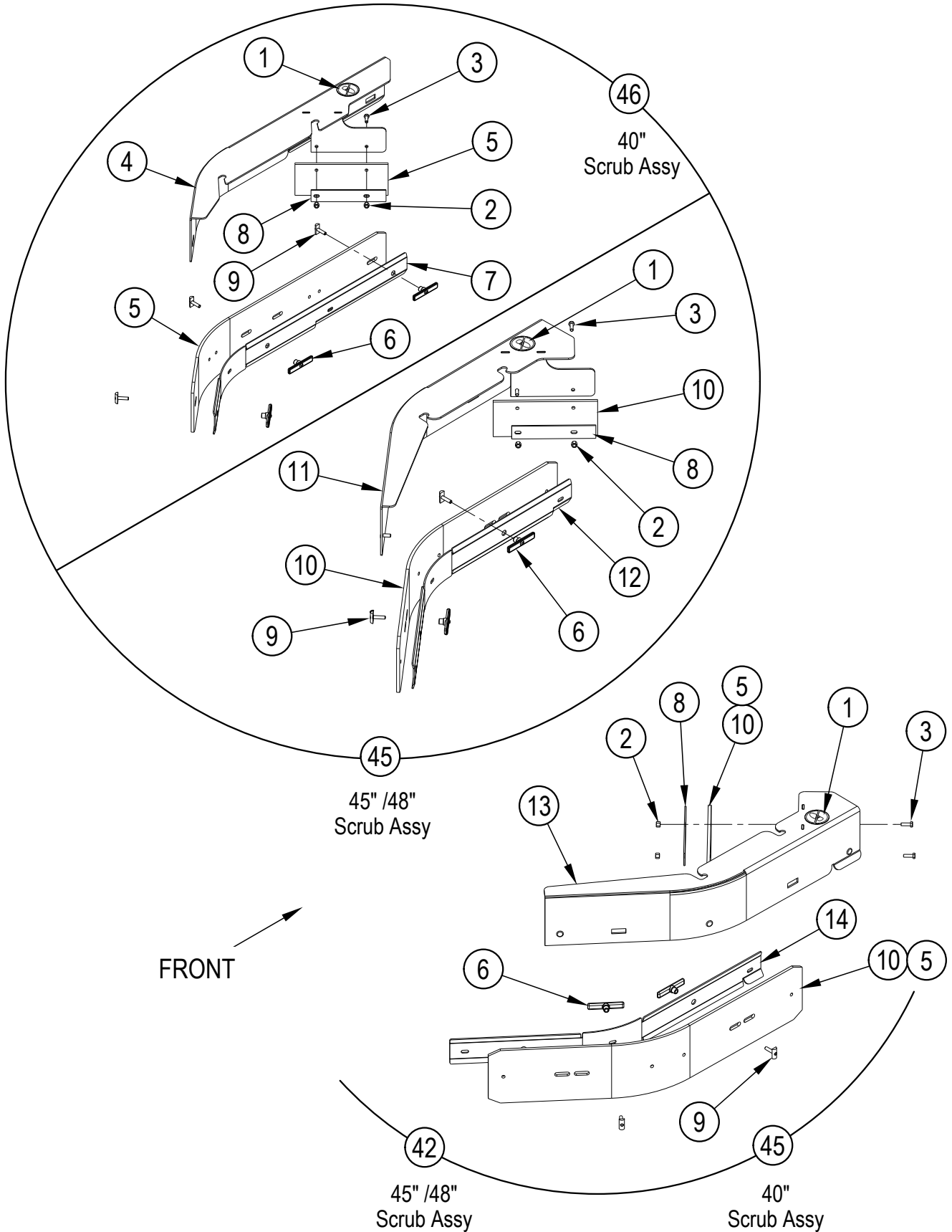
**SCRUB SYSTEM-DISK-45 & 48 INCH SCRUB ASSY**

Item	Ref. No.	Qty	Description
	56414166	1	Scrub Assembly-45 In Disk
	56414167	1	Scrub Assembly-48 In Disk
1	56264262	1	Hose
2	56366455	3	Plate, Stop
3	56366463	3	Spring Retainer
4	56367206	8	Bushing
5	56383238	6	Brush Drive Disc
6	56380149	4	Knob-M12-1.75 Thru
7	56601578	4	Knob
8	56409538	5	Insulator, Terminal
9	56459064	2	Hose, PVC Clear 21.00 In
10	56471220	1	Bushing
11	56002938	18	Wsh, Flt SAE SS 5/16
12	56003263	22	Rivet, Nylon Tree Push-In (.25)
13	56003450	14	Nut Hx Nyl Loc SS M12-1.75
14	56002885	9	Scr, Hex SS 3/8-16 X .75
15	56003372	3	Scr, Hex Loc SS 5/16-18 X 1.25
16	56003405	9	Nut, Hex Nyl Loc SS M8-1.25
17	56003905	6	Scr-Hex SS M12-1.75 X 30MM
18	56003477	9	Scr, Hex Loc SS M8-1 X 25mm
19	56003906	8	Scr-Hex SS M12-1.75 X 40MM
20	56003639	9	Scr, Hex SS M8-1.25 X 30mm
21	56003657	4	Nut, Hex Jam SS M12-1.75
22	56003658	4	Scr, Hex Thd To Hd SS M12-1.75 X 70mm
23	56009017	8	Wsh, Flt Harden .516x.938 X.75
24	56009019	1	Scr, Hex Thd Form 1/4-20 X .38
25	56009022	8	Wsh, Flt .754 X 1.250 X .120
26	56009028	1	Scr, Hex Thd Form 1/4-20 X 1.50
27	56009030	12	Scr, Pan Phil Thd Form 10-24 X .38
28	56009057	3	Wsh, Flt Harden .344x1.000x.120/.135
29	56009062	4	Scr, Pan Phil Thd Form 1/4-20 X .50
30	56009096	3	Wsh, Flt .193 X .875 X .060
31	56112771	5	Clamp, Hose SAE #10
32	56380543	1	Hose PVC Clear 15.00 In.

Item	Ref. No.	Qty	Description
33	56303083	3	Gearmotor (M9, M10, M11)
[ ]	56303444	4	Carbon Brush Assy (for 56303083)
[ ]	56303419	4	Brush Spring (for 56303083)
[ ]	56303084	1	Motor-Scrub-36vdc
[ ]	56303085	1	Gearbox-Scrub Deck
[ ]	56002158	3	Scr Soc Hd 5/16-18 X .88
34	56304586	8	Bearing .750 X .625 X .500
35	56314030	3	Brush Holder
36	56314108	3	Hub, Drive
37	56314109	3	Spacer
38	56315625	3	Barb, Coupler 1/2 X 3/4
39	56410223	1	Clamp, P
40	56413302	2	Arm Parallel 6 In
41	56413303	2	Arm, Adjustable Assy
42	56413307	1	Right Skirt Assembly
43	56413374	1	Blade Front
44	56413379	1	Blade, Rear
45	56413381	1	Left Skirt Assembly
46	56413392	1	Resistor Assy, 20k Ohm (R2)
47	56413979	1	Weldment-45 Disk Deck
	56413995	1	Weldment-48 Disk Deck
48	56413426	1	Manifold, Solution
49	56413516	2	Contacto, 36vdc 200A (K3, K4)
50	56414139	1	Right Guard Assy (#56-60)
51	56414140	1	Left Guard Assy (#56-58 & 61)
52	56385564	3	Clamp, P
53	56493357	1	Insulator, Terminal
54			<b>DELETED</b>
55	56900272	1	Barb, 3/4 90 Deg. Elbow
56	56407006	2	Wheel, Roller (qty per assy)
57	56009097	2	Nut, Push Cap 1/2 (qty per assy)
58	56413590	1	Pin (qty per assy)
59	56413721	1	Grip Surface
60	56414135	1	Right Guard Weldt
61	56414136	1	Left Guard Weldt

[ ] = Not Shown

**SCRUB SYSTEM-DISK-SKIRT ASSY**



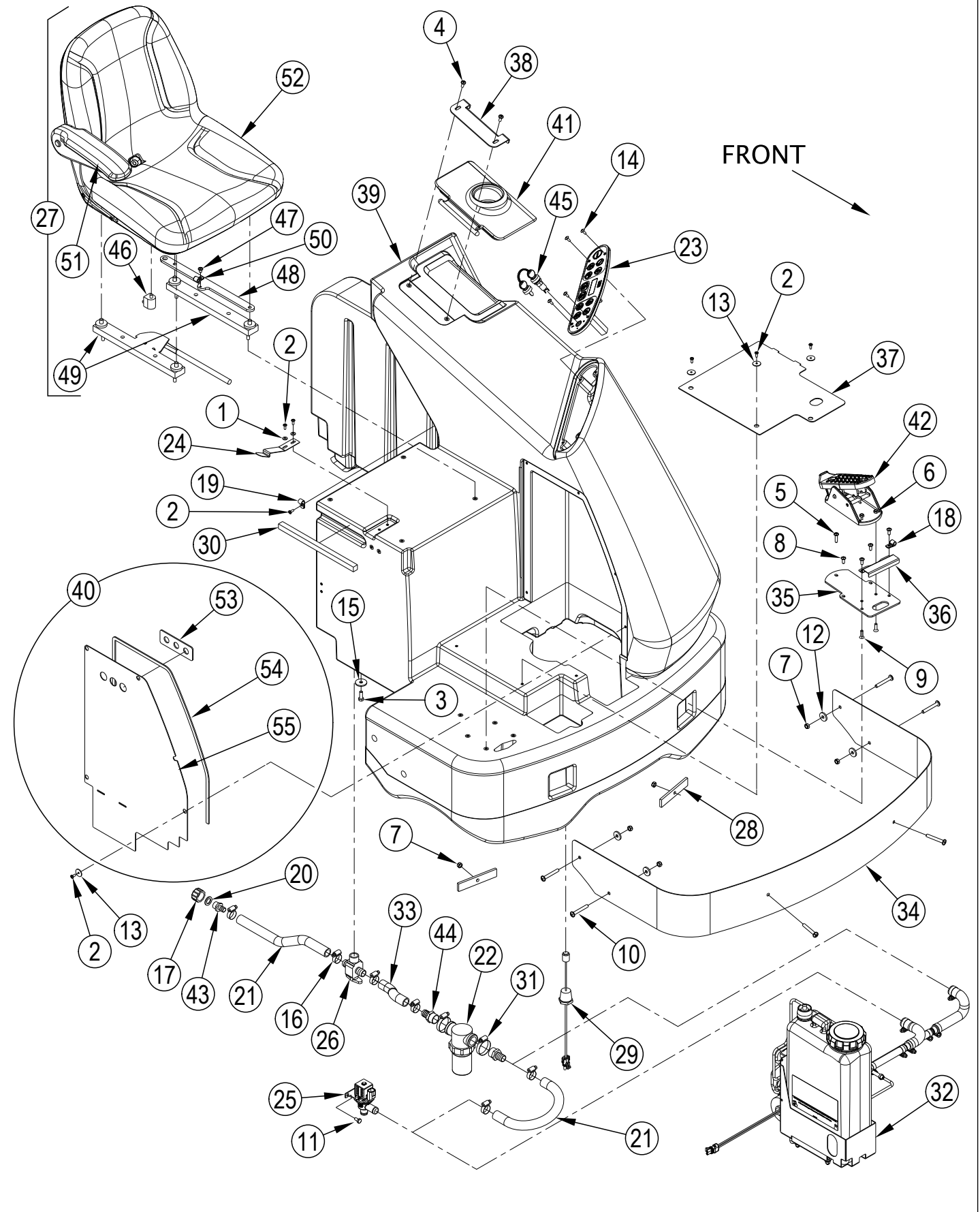
## SCRUB SYSTEM-DISK-SKIRT ASSY

Item	Ref. No.	Qty	Description
45	56413307	1	Right Skirt Assembly (40")
46	56413313	1	Left Skirt Assembly (40")
42	56413307	1	Right Skirt Assembly (45" & 48")
45	56413381	1	Left Skirt Assembly (45" & 48")
1	56016163	1	Decal, No Step (qty per skirt assy)
2	56003426	2	Nut, Hex Nyl loc SS M6-1.00 (qty per skirt assy)
3	56003454	2	Scr. Hex Thd to Hd SS M6-1.00 x 20mm (qty per skirt assy)
4	56413980	1	Skirt Weldt-Left 40D (40")
5	56413768	1	Kit, Linatex 40 Disk Blade <b>NOTE 1</b>
*	56413767	1	Kit, Gum Rubber 40 Disk Blade <b>NOTE 1</b>
*	56413754	1	Kit, Polyurethane 40 Disk Blade <b>NOTE 1</b>
6	56413717	3	Thumb Nut (40" / qty per skirt assy)
	56413717	2	Thumb Nut (45" & 48" / qty per skirt assy)
7	56413981	1	Strap-Left 40D (40")
8	56413991	1	Strap (qty per skirt assy)
9	56413850	3	Skirt Retainer Assy (40" / qty per skirt assy)
	56413850	2	Skirt Retainer Assy (45" & 48" / qty per skirt assy)
10	56413770	1	Kit, Linatex (45" & 48") Disk Blade <b>NOTE 1</b>
*	56413769	1	Kit, Gum Rubber (45" & 48") Disk Blade <b>NOTE 1</b>
*	56413755	1	Kit, Polyurethane (45" & 48") Disk Blade <b>NOTE 1</b>
11	56413982	1	Skirt Weldt-Left 45D-48D (45" & 48")
12	56413983	1	Strap-Left 45D-48D (45" & 48")
13	56413984	1	Skirt Weldt-Right Disk (40", 45" & 48")
14	56413985	1	Strap-Right 40D-45D-48D (40", 45" & 48")

\* = Optional, Not Included

**NOTE 1:** All scrub deck blade kits include enough blades to replace all blades on both skirt assemblies.

**SOLUTION SYSTEM**





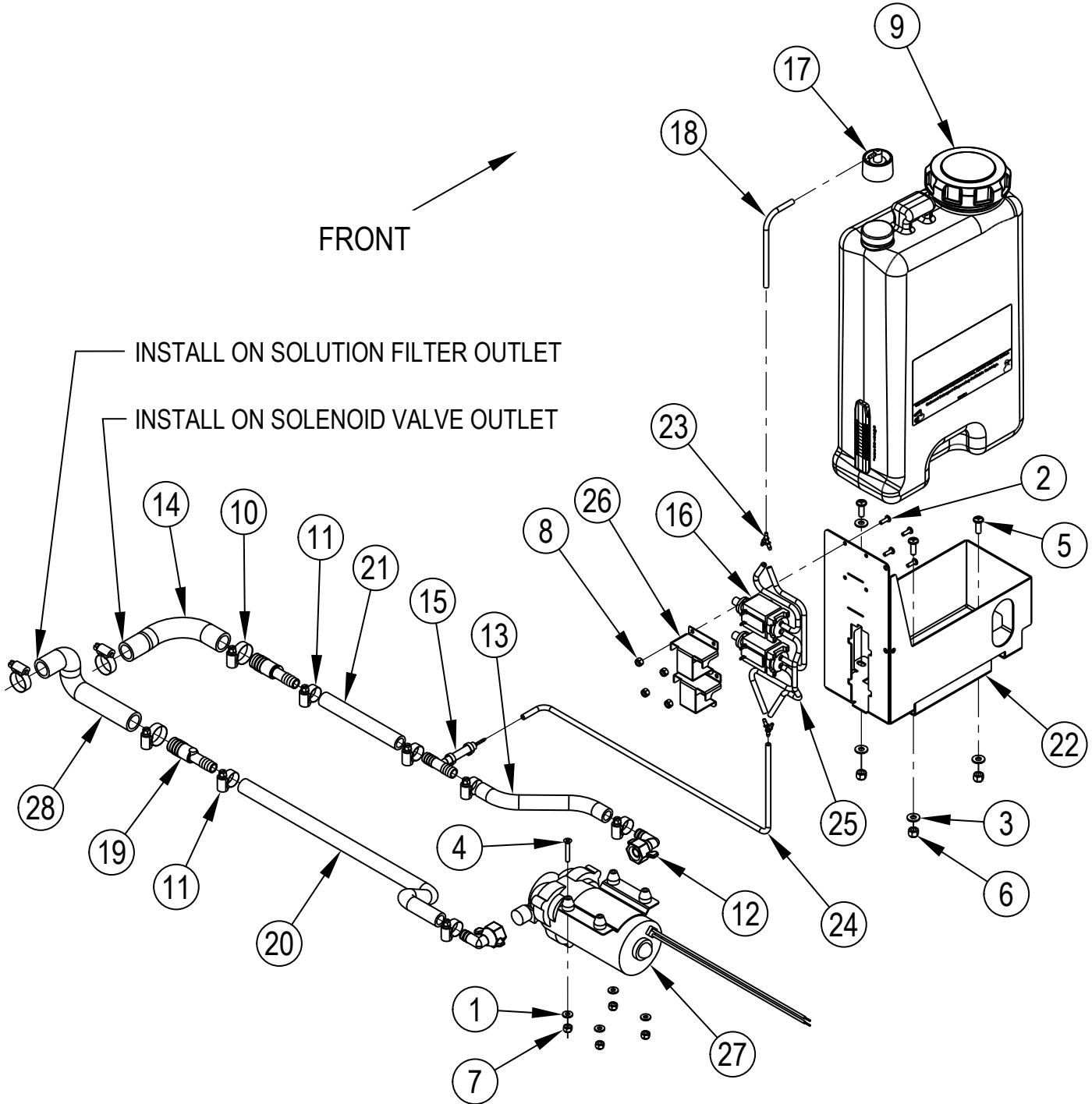
**SOLUTION SYSTEM**

Item	Ref. No.	Qty	Description
1	56001954	2	Wsh, Flt SAE #10
2	56001993	11	Scr-Pan Phil 10-24 x .50
3	56002037	4	Scr-Hex 5/16-18 x .88
4	56002066	2	Scr-Pan Phil 1/4-20 x .62
5	56002292	1	Scr-Pan Phil 1/4-20 x 1.00
6	56002708	2	Nut, Hex Nyl Loc 1/4-20
7	56002826	6	Nut, Hex Nyl Loc-Thin 5/16-18
8	56002989	4	Scr-Pan Phil Ss 1/4-20 x .62
9	56003086	2	Scr-Flt Phil Ss 1/4-20 x .88
10	56003718	6	Scr-Pan Phil 5/16-18 x 2.25
11	56009033	2	Scr, Hex Thd Form 1/4-20 x .50
12	56009057	4	Wsh, Flt Harden .344 x 1.000 x .120/.135
13	56009096	8	Wsh, Flt .193 x .875 x .060
14	56009206	4	Scr-Truss Phil Blk 10-24 x .50
15	56009294	4	Wsh, Flt .354 x 1.247 x .120
16	56112771	6	Clamp- Hose SAE #10 (qty of 4 on EcoFlex models)
17	56255076	1	Cap, Pipe Ght Nylon
18	56323260	1	Clamp, Hose Support
19	56342319	1	Clamp-P
20	56368776	1	Washer-Rubber
21	56392193	2	Hose, .75 X 14.00 (qty of 1 on EcoFlex models)
22	56407162	1	Filter
[ ]	56384157	1	Gasket-Filter
23	56381083	1	Touch Pad Asm (A3)
[ ]	56383138	1	Panel Assembly (for 56381083)
24	56413482	1	Clip
25	56394394	1	Solenoid Valve Kit TSB-FC-2020-003
	56118185	1	Solenoid Seal Kit (for 56394394)
26	56413581	1	Valve, T Shutoff
27	56413619	1	Seat Mounting Assembly (46-52)
28	56413653	2	Mount Plate, Bumper
29	56413669	1	Switch, Liquid Level (S5)

Item	Ref. No.	Qty	Description
30	56413811	1	Gasket, .62 x .62 x 11.50"
31	56413839	2	Clamp- Hose SAE #20
32	56381105	1	Detergent Metering Assembly (see page 33)
33	56413876	1	Hose .75 x 5.50
34	56413975	1	Bumper-Front
35	56414066	1	Plate-Pedal Adapter
36	56414067	1	Cover-Adapter
37	56414108	1	Floor Plate
38	56414109	1	Bracket-Lid Mount
39	56414112	1	Solution Tank
40	56414115	1	Electrical Panel Assy (53-55)
41	56414117	1	Solution Lid Assembly
[ ]	56413682	1	Solution Lid Gasket
42	56385084	1	Foot Pedal Assy (R1) TSB-FC-2017-053
43	56900273	1	Barb
44	56900292	2	Barb, Adapter 3/4 x 3/4npt
45	1450372000	1	Key Switch (S1)
[ ]	1462887000	1	Key, Replacement
46	7-82-00050	1	Switch
47	56003603	1	Scr, Pan Phil Thd Form 1/4-20 x .38
48	56109274	1	Strap
49	56109300	1	Slide, Seat
50	56323260	1	Clamp, Hose Support
51	56383189	1	Arm Rest Kit-R/H Only
52	56383292	1	Seat-11.25 In. Mount
53	56413625	1	Gasket, Panel
54	56413626	1	Gasket, Circuit Break Er
55	56414218	1	Cover-Electrical
56			<b>DELETED</b>

[ ] = Not Shown

### SOLUTION SYSTEM-DETERGENT METERING KIT

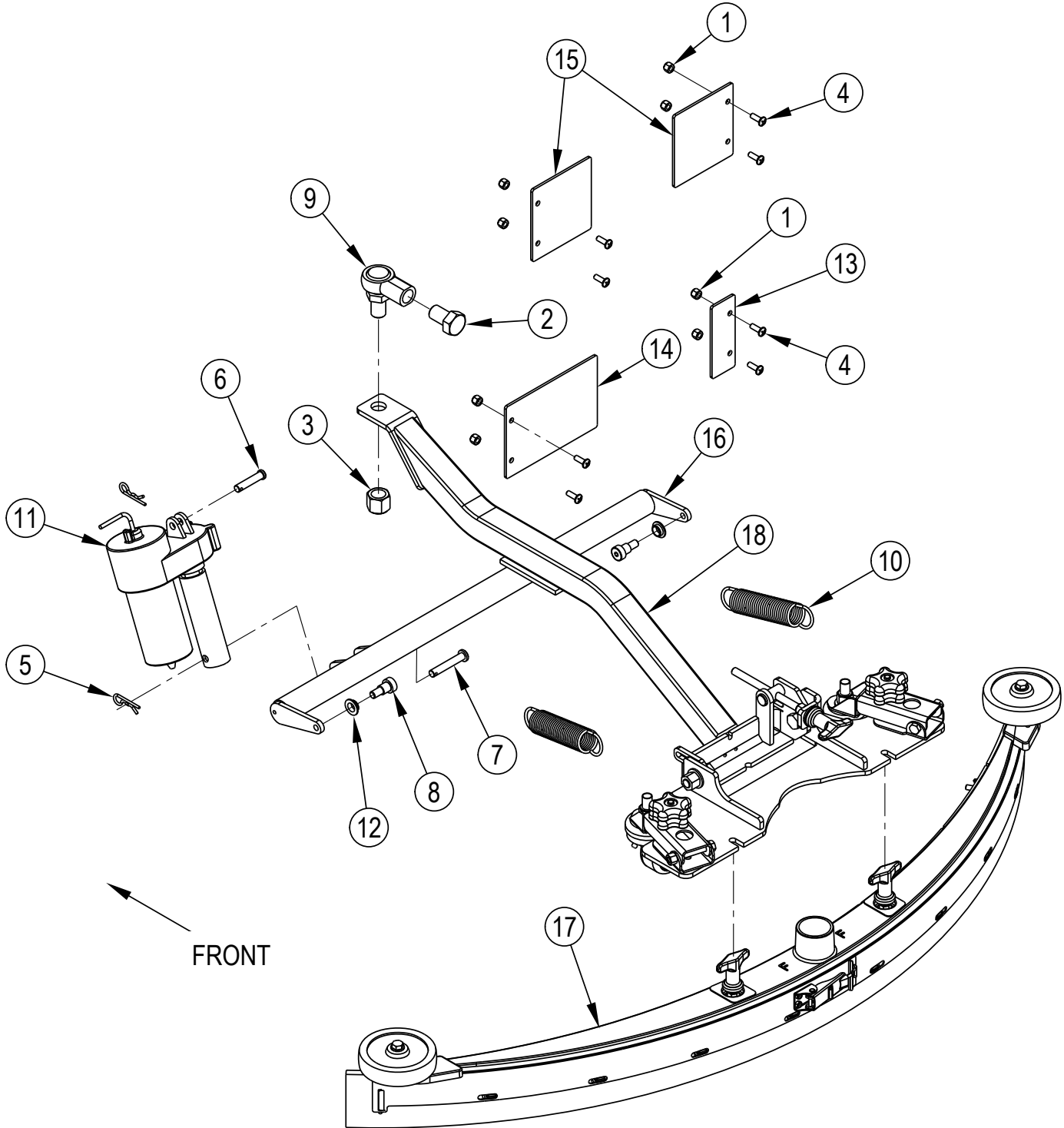


**SOLUTION SYSTEM-DETERGENT METERING KIT**

<b>Item</b>	<b>Ref. No.</b>	<b>Qty</b>	<b>Description</b>
	56381105	1	Detergent Metering Assy
1	56001954	4	Wsh, Flt SAE #10
2	56002003	4	Scr-Pan Phil 8-32 x .50
3	56002098	4	Wsh, Flt SAE 1/4
4	56002136	4	Scr-Flt Phil 10-24 1.25
5	56002507	3	Scr-Pan Phil 1/4-20 x .75
6	56002708	3	Nut, Hex Nyl Loc 1/4- 20
7	56002768	4	Nut, Hex Nyl Loc 10-24
8	56002808	4	Nut, Hex Nyl Loc 8-32
9	56111855	1	Chem Bottle Assy-Ecoflex
10	56112771	4	Clamp- Hose SAE #10
11	56219932	6	Clamp- Hose SAE #6
12	56261246	2	Elbow
13	56262180	1	Hose, Spiral .50
14	56410162	1	Hose, Spiral .750
15	56314983	1	Tee Assembly
16	56314984	2	Pump, Detergent <b>(M13 / M16)</b>
17	56315523	1	Cap, Dry Break, 1/8 Barb, 90
18	56315524	1	Hose, Chem Resistant, 7.50
19	56315625	2	Barb, Coupler 1/2 x 3/4
20	56412275	1	Hose, Spiral .50
21	56412276	1	Hose, Spiral .50
22	56413330	1	Plate, Mount, Chemical Meter
23	56413691	2	Fitting, Y, Barb, .125
24	56413692	1	Hose, Chem Resistant, 21.00
25	56413693	4	Hose, Chem Resistant, 5.00
26	56413775	2	Bracket, Pump Mount
27	56413810	1	Pump, 36vdc <b>(M12)</b>
28	56481452	1	Hose, Spiral .750
[ ]	56478246	2	Tie Cable

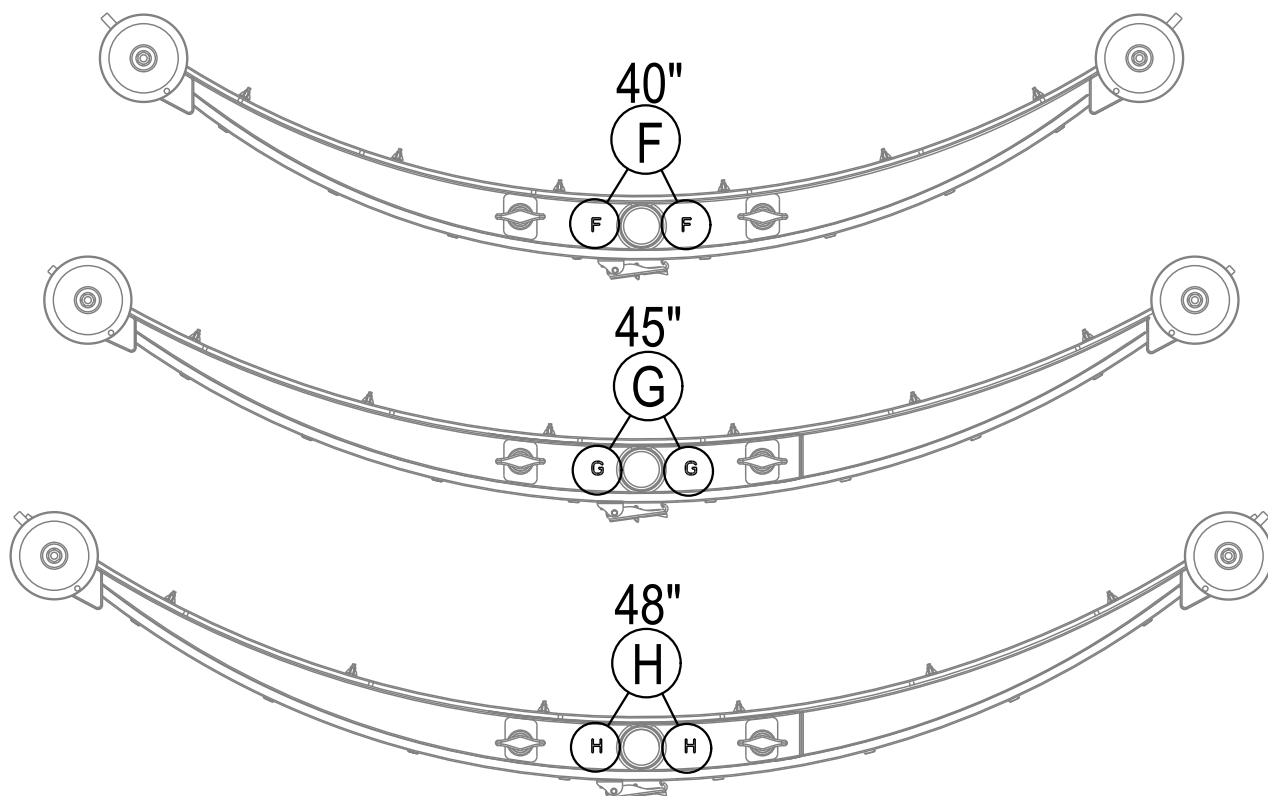
[ ] = Not Shown

### SQUEEGEE SYSTEM

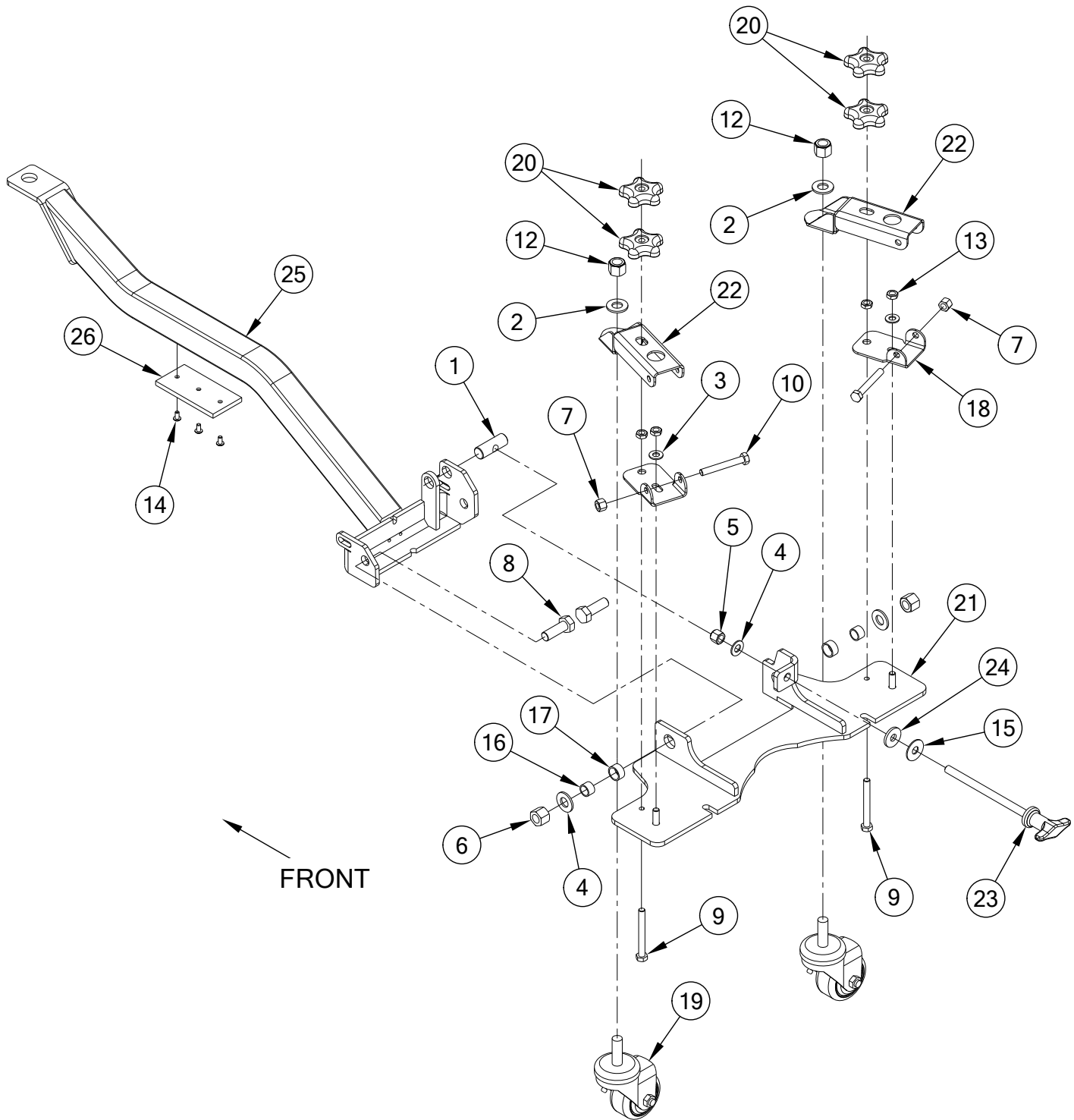


## SQUEEGEE SYSTEM

Item	Ref. No.	Qty	Description
1	56002491	4	Nut-Hex Nyl Loc Ss 1/4-20
2	56002739	1	Scr-Hex 3/4-16 X 1.25 Grade8
3	56002863	1	Nut, Hex Nyl Loc 3/4-16
4	56002957	4	Scr-Pan Phil Ss 1/4-20 X .75
5	56003222	2	Pin, Cotter Hair
6	56003597	1	Pin-Clevis .375 X 1.75
7	56003656	1	Pin-Clevis .375 X 2.25
8	56003912	2	Scr-Soc Shd Ss .50 X .50 X 3/8-16
9	56380431	1	Rod End
10	56412216	2	Spring, Extension
11	56413111	1	Actuator 36v (M3)
12	56413211	2	Bearing, Flange .625 X .500 X .250
13	56413776	1	Stop Plate, Small (40")
14	56413778	1	Stop Plate, Large (40")
15	56413777	2	Stop Plate, Medium (45" & 48")
16	56413994	1	Squeegee Lift Arm Weldment
17	56414159	1	Squeegee Assembly-F (40")
	56414154	1	Squeegee Assembly G (45")
	56414130	1	Squeegee Assembly H (48")
18		1	Squeegee Arm Assembly



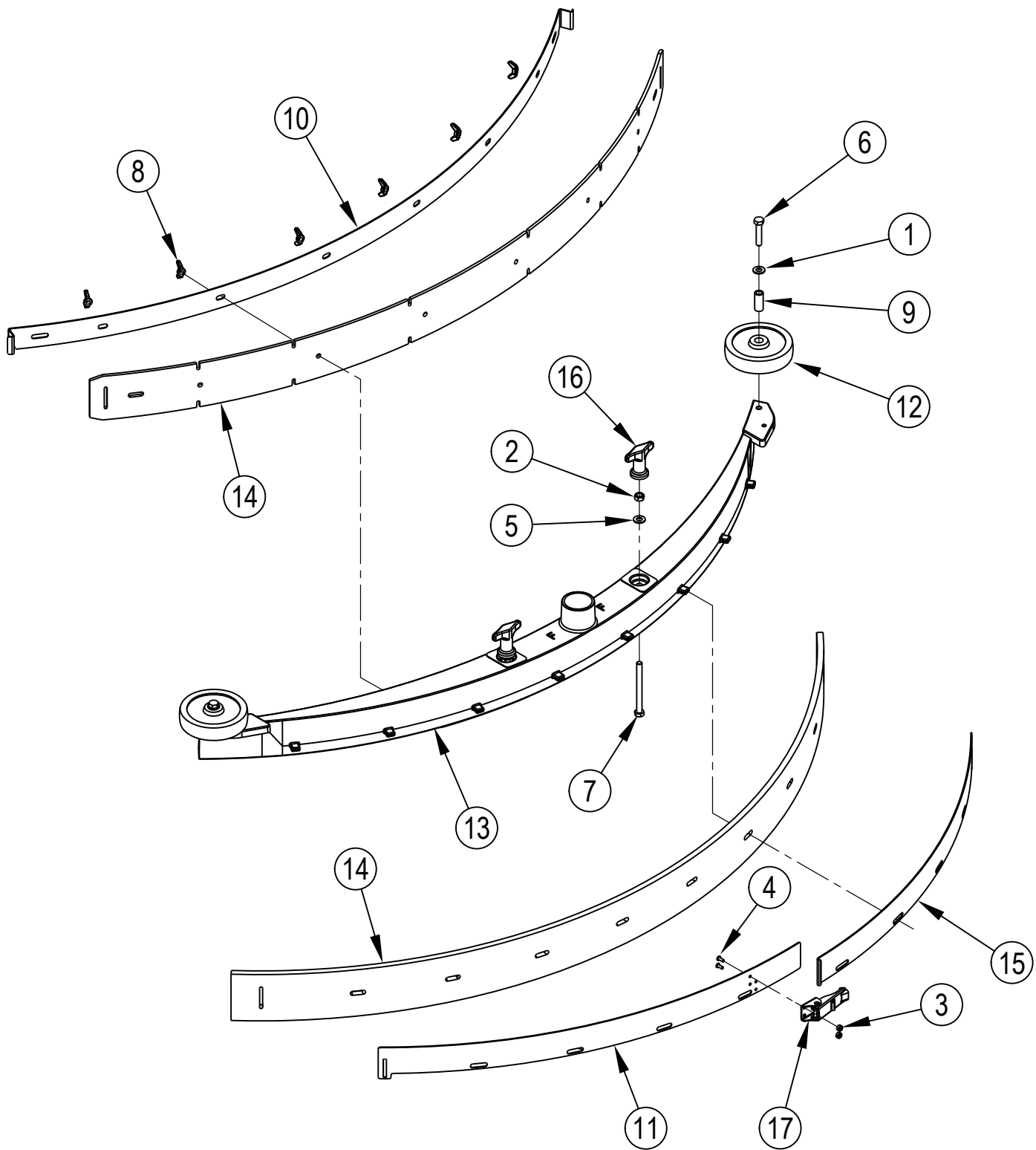
### SQUEEGEE SYSTEM-SQUEEGEE ARM ASSY



**SQUEEGEE SYSTEM-SQUEEGEE ARM ASSY**

<b>Item</b>	<b>Ref. No.</b>	<b>Qty</b>	<b>Description</b>
		1	Squeegee Arm Assembly
1	56324369	1	Pin
2	56002918	4	Wsh-Flt SAE SS 1/2
3	56002938	2	Wsh-Flt SAE SS 5/16
4	56002910	1	Wsh-Flt SAE SS 3/8
5	56002769	1	Nut, Hex Nyl Loc 3/8-16
6	56003450	2	Nut-Hex Nyl Loc SS M12-1.75
7	56003405	2	Nut, Hex Nyl Loc Ss M8-1.25
8	56003453	2	Scr-Hex SS M12-1.75 X 35mm
9	56003649	2	Scr Hx Thd2 Hd Ss 5/16-18x2.75
10	56003464	2	Scr, Hex SS M8-1.25 X 60mm
11			<b>DELETED</b>
12	56002770	2	Nut Hex Nyl Loc 1/2-13
13	56009086	4	Nut, Hex Jam 5/16-18
14	56003913	3	Scr-Pan Phil Loc SS 10-24 X .38
15	56151068	1	Washer, Fibre
16	56360627	2	Bushing
17	56370878	2	Bearing, Sleeve
18	56111936	2	Bracket
19	56407344	2	Caster Wheel
20	56396254	4	Knob
21	56413972	1	Squeegee Mount Weldt
22	56413974	2	Bracket
23	56414163	1	Knob
24	56413599	1	Washer, Rubber
25	56413973	1	Squeegee Arm Weldment
26	56413742	1	Pad, Wear, Squeegee Arm

SQUEEGEE SYSTEM-SQUEEGEE ASSY F-40 INCH





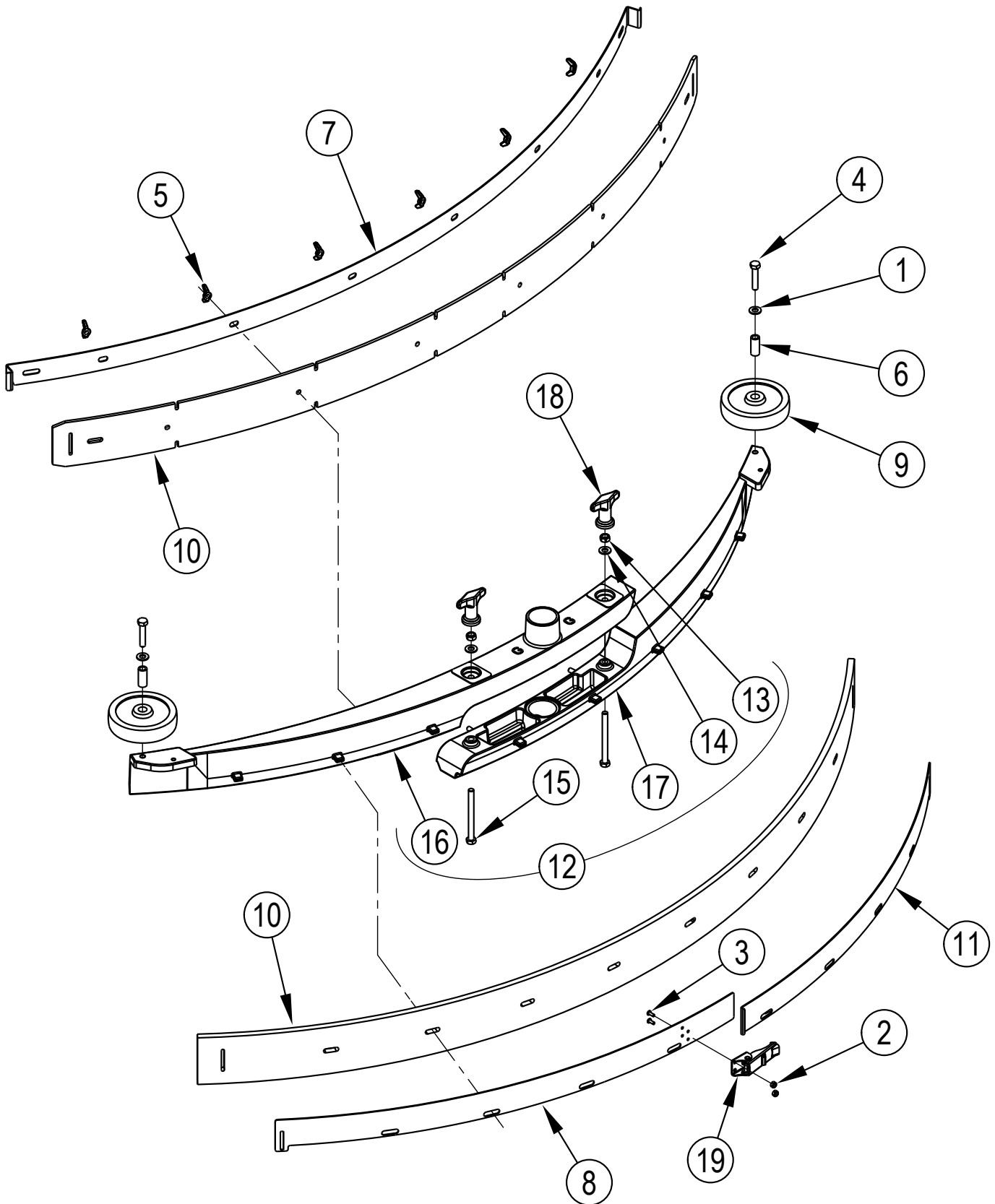
**SQUEEGEE SYSTEM-SQUEEGEE ASSY F-40 INCH**

<b>Item</b>	<b>Ref. No.</b>	<b>Qty</b>	<b>Description</b>
	56414159	1	Squeegee Assembly F (40")
1	56001939	2	Wsh. Flt Sae 5/16
2	56002851	2	Nut. Hex Nyl Loc-Thin Ss 5/16-18
3	56002907	2	Nut-Hex Nyl Loc Ss 6-32
4	56002909	2	Scr-Pan Phil Ss 6-32 X .38
5	56002938	2	Wsh-Flt Sae Ss 5/16
6	56003437	2	Scr-Hex Ss M8-1.25 X 40mm
7	56003481	2	Scr-Hex Thd To Hd Ss 5/16-18 X 3.50
8	56009111	6	Nut. Wing Ss 1/4-20
9	56109581	2	Bushing
10	56109614	1	Strap - Front F
11	56109615	1	Strap - Rear F
12	56111639	2	Wheel 4.00 Dia.
13	56413037	1	Squeegee , Cast F
14	56413762	1	Blade Kit-Sqgee Linatex F <b>NOTE 1</b>
*	56413761	1	Kit. Gum Rubber Squeegee Blade F <b>NOTE 1</b>
*	56413745	1	Kit. Polyurethane Squeegee Blade F <b>NOTE 1</b>
15	56413329	1	Strap. Rear F
16	56370711	2	Nut Thumb
17	56471194	1	Latch Assembly

\* = Optional, Not Included

**NOTE 1:** All squeegee blade kits include both front and rear squeegee blades.

SQUEEGEE SYSTEM-SQUEEGEE ASSY G-45 INCH



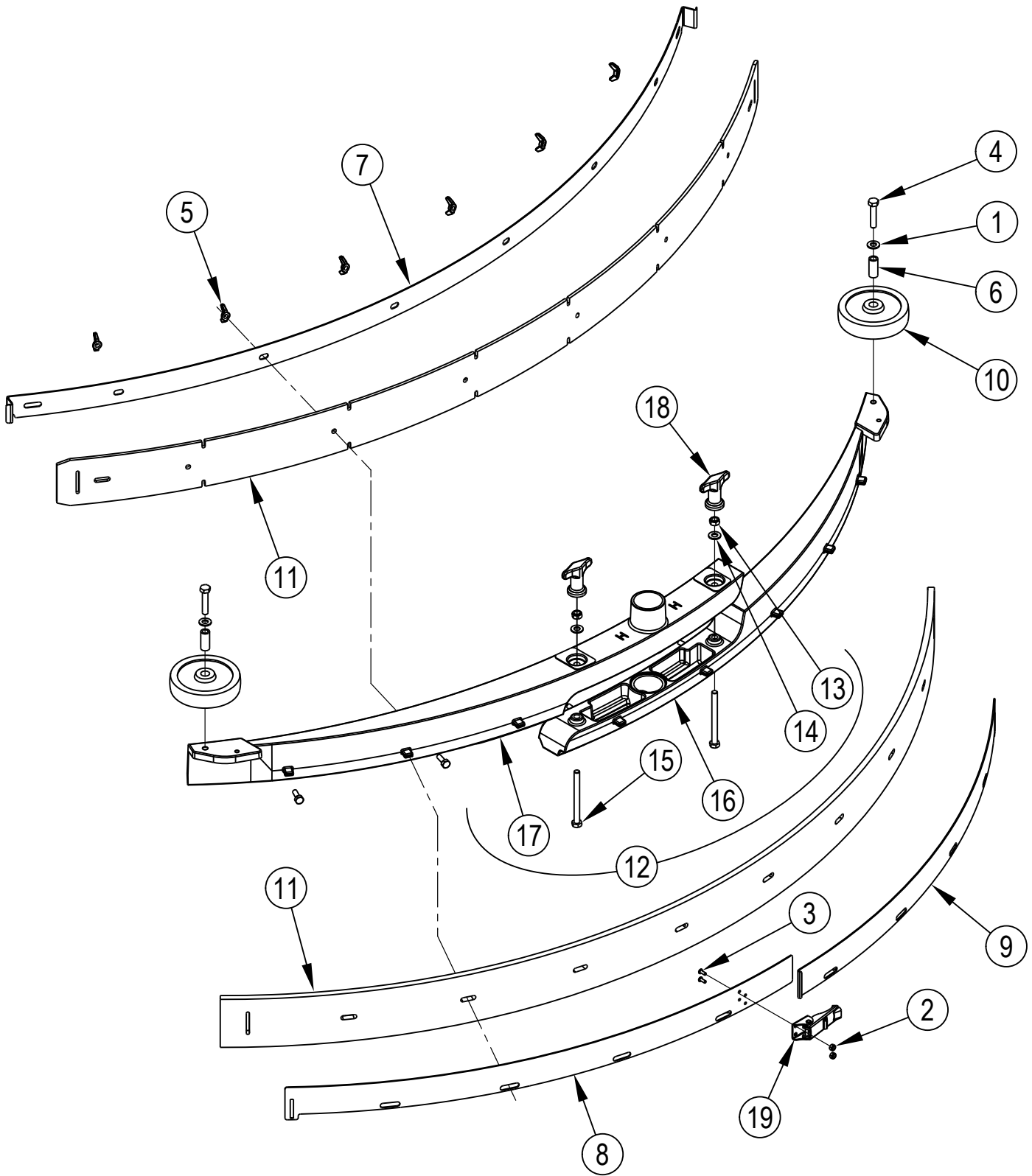
**SQUEEGEE SYSTEM-SQUEEGEE ASSY G-45 INCH**

<b>Item</b>	<b>Ref. No.</b>	<b>Qty</b>	<b>Description</b>
	56414154	1	Squeegee Assembly G (45")
1	56001939	2	Wsh, Flt Sae 5/16
2	56002907	2	Nut-Hex Nyl Loc Ss 6-32
3	56002909	2	Scr-Pan Phil Ss 6-32 X .38
4	56003437	2	Scr-Hex Ss M8-1.25 X 40mm
5	56009111	6	Nut, Wing Ss 1/4-20
6	56109581	2	Bushing
7	56109617	1	Strap - Front G
8	56109618	1	Strap - Rear G
9	56111639	2	Wheel 4.00 Dia.
10	56413757	1	Blade Kit-Sqgee Linatex G (45") <b>NOTE 1</b>
*	56413756	1	Kit, Gum Rubber Squeegee Blade G (45") <b>NOTE 1</b>
*	56413746	1	Kit, Polyurethane Squeegee Blade G (45") <b>NOTE 1</b>
11	56413521	1	Strap, Rear "G"
12	56413680	1	Squeegee Cast Assy G (45") (#13-17)
13	56002851	2	Nut, Hex Nyl Loc-Thin SS 5/16-18
14	56002938	2	Wsh-Flt Sae Ss 5/16
15	56003481	2	Scr, Hex Thd to Hd SS 5/16-18 x 3.50
16		1	Squeegee, Cast G Top (45")
17		1	Squeegee, Cast G Bottom (45")
18	56370711	2	Nut Thumb
19	56471194	1	Latch Assembly

\* = Optional, Not Included

**NOTE 1:** All squeegee blade kits include both front and rear squeegee blades.

SQUEEGEE SYSTEM-SQUEEGEE ASSY H-48 INCH



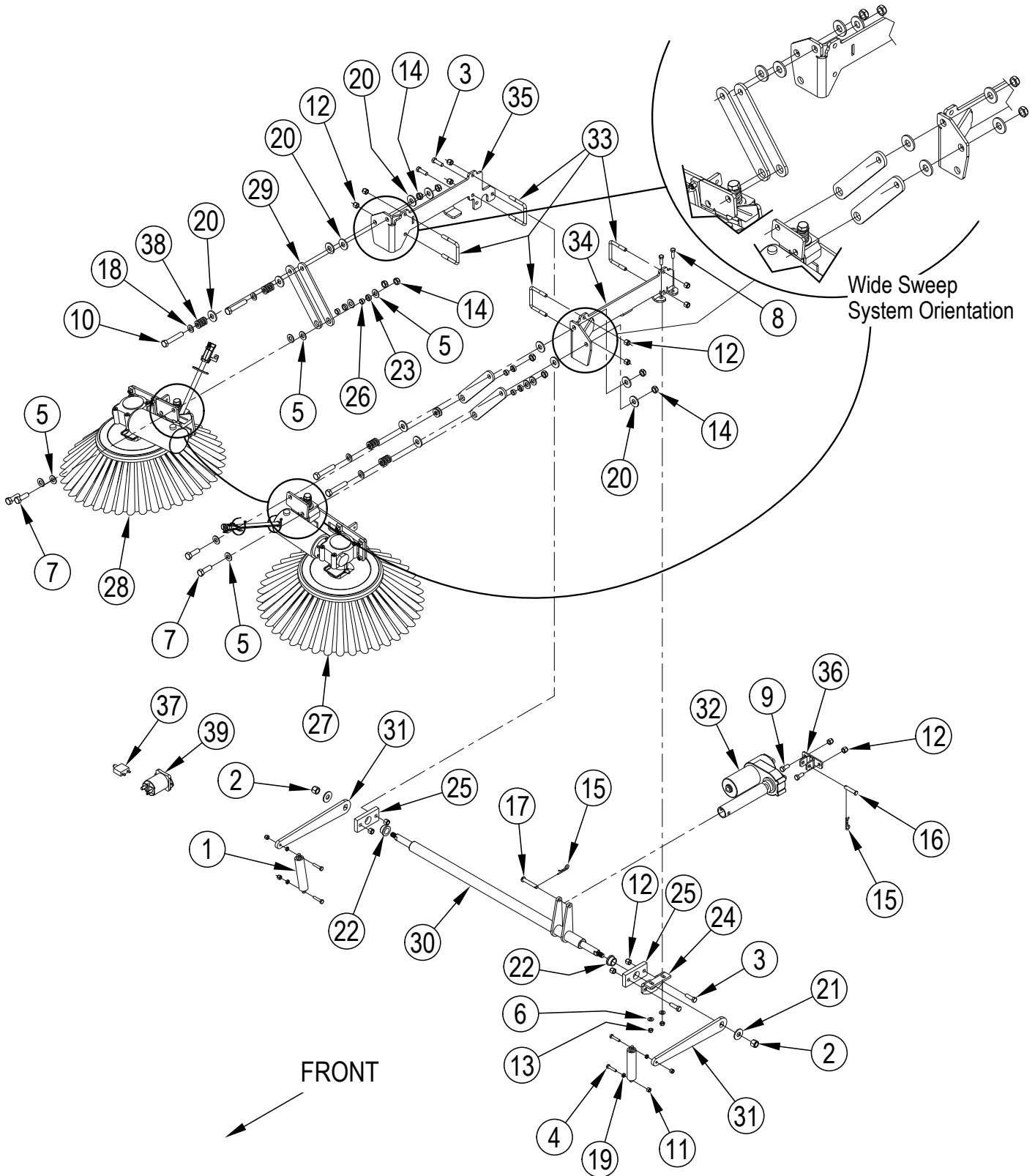
**SQUEEGEE SYSTEM-SQUEEGEE ASSY H-48 INCH**

<b>Item</b>	<b>Ref. No.</b>	<b>Qty</b>	<b>Description</b>
	56414130	1	Squeegee Assembly H (48")
1	56001939	2	Wsh, Flt Sae 5/16
2	56002907	2	Nut-Hex Nyl Loc Ss 6-32
3	56002909	2	Scr-Pan Phil Ss 6-32 X .38
4	56003437	2	Scr-Hex Ss M8-1.25 X 40mm
5	56009111	6	Nut, Wing Ss 1/4-20
6	56109581	2	Bushing
7	56109620	1	Strap - Front H
8	56109621	1	Strap - Rear H
9	56109677	1	Strap - Rear H
10	56111639	2	Wheel 4.00 Dia.
11	56413766	1	Blade Kit-Linatex Squeegee H (48") <b>NOTE 1</b>
*	56413765	1	Kit, Gum Rubber Squeegee Blade H (48") <b>NOTE 1</b>
*	56413747	1	Kit, Polyurethane Squeegee Blade H (48") <b>NOTE 1</b>
12	56413679	1	Squeegee Cast Assy H (48") (#13-17)
13	56002851	2	Nut, Hex Nyl Loc-Thin SS 5/16-18
14	56002938	2	Wsh-Flt Sae Ss 5/16
15	56003481	2	Scr. Hex Thd to Hd SS 5/16-18 x 3.50
16		1	Squeegee, Cast H Bottom (48")
17		1	Squeegee, Cast H Top (48")
18	56370711	2	Nut Thumb
19	56471194	1	Latch Assembly

\* = Optional, Not Included

**NOTE 1:** All squeegee blade kits include both front and rear squeegee blades.

### SWEEP SYSTEM

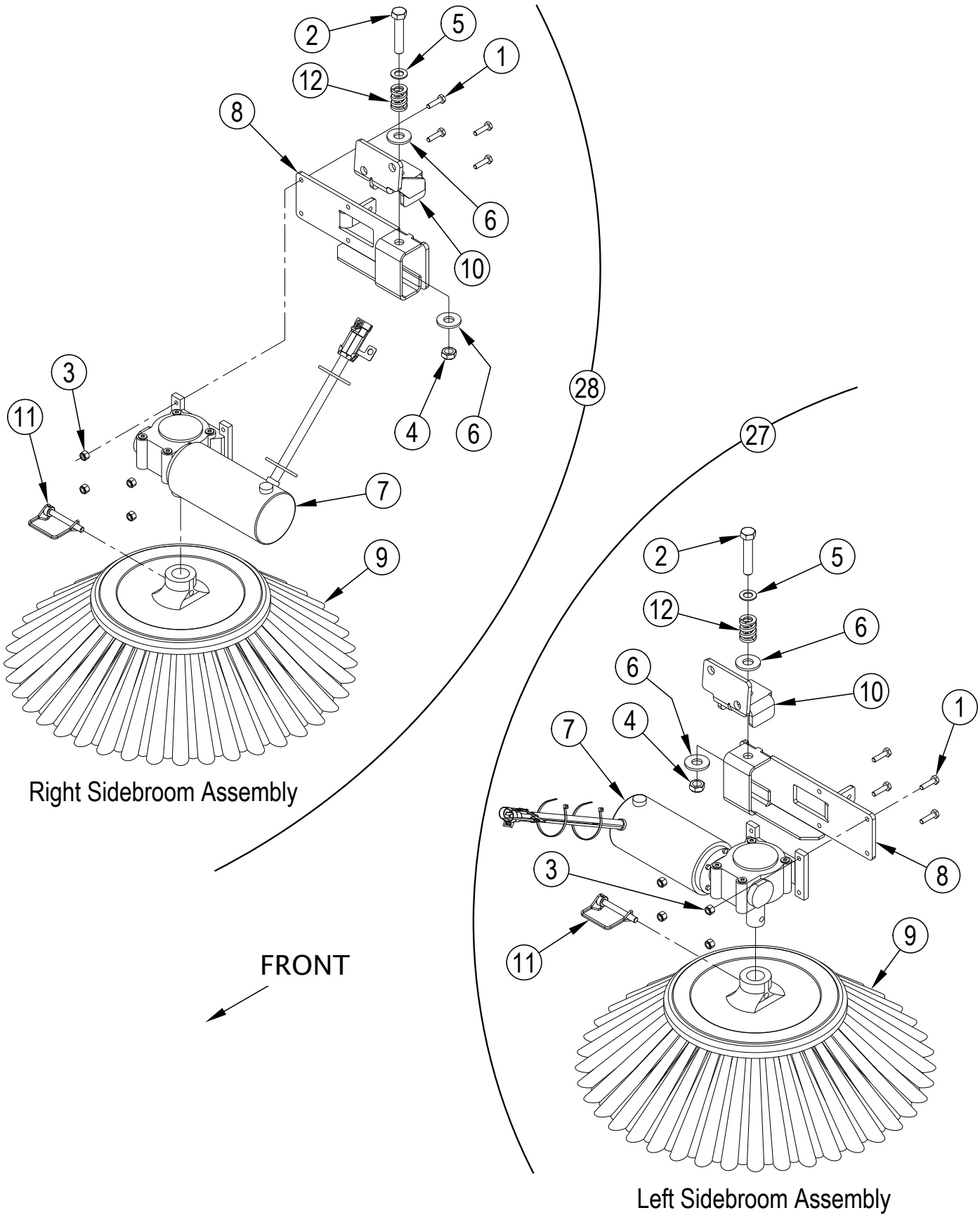


## SWEEP SYSTEM

Item	Ref. No.	Qty	Description
1	56407335	2	Chain Assembly
2	56002908	2	Nut Hex Nyl Loc Ss 1/2-20 <b>NOTE 1</b>
3	56001858	4	Scr. Hex 3/8-16 X 1.25
4	56001878	4	Scr. Hex 1/4-20 X 1.25
5	56001879	12	Wsh. Flt SAE 1/2
6	56001939	2	Wsh. Flt SAE 5/16
7	56001968	4	Scr. Hex 1/2-13 X 1.50
8	56002037	2	Scr. Hex 5/16-18 X .88
9	56002271	2	Scr. Hex 3/8-16 X .88
10	56002680	4	Scr. Hex 1/2-13 X 2.75
11	56002708	4	Nut, Hex Nyl Loc 1/4-20
12	56002769	14	Nut, Hex Nyl Loc 3/8-16
13	56002826	2	Nut, Hex Nyl Loc-Thin 5/16-18
14	56002843	8	Nut, Hex Nyl Loc-Thin 1/2-13
15	56004040	2	Pin, BowTie
16	56003597	1	Pin, Clevis .375 X 1.75
17	56003656	1	Pin, Clevis .375 X 2.25
18	56009017	4	Wsh, Flt Harden .516x.938 x.75
19	56009087	4	Nut, Hex Jam 1/4-20
20	56009115	12	Wsh, Flt Harden .594x1.375 x.134
21	56002892	2	Wsh Flt Std Ss 1/2 <b>NOTE 1</b>
22	56303071	2	Bearing, Flange
23	56304893	4	Bearing, Sleeve .625 x .750 x .250
24	56305080	1	Bracket, Side Broom Lift
25	56305091	2	Pillow Block
26	56365030	4	Bushing .50 x.62 x.27
27	56413039	1	Left Side Broom Assembly
28	56413040	1	Right Side Broom Assembly
29	56413048	4	Link
30	56394101	1	Sidebroom Lift Arm Weldment <b>NOTE 1</b>
31	56394103	2	Arm-Lift <b>NOTE 1</b>
32	56413129	1	Actuator, Motor 36V <b>(M4)</b>
33	56413403	4	Clamp, Wide
34	56413453	1	Sidebroom Brkt Weld't, Lt
35	56413454	1	Sidebroom Brkt Weld't, Rt
36	56413479	1	Actuator Mount
37	56413822	1	Circuit Breaker, 20 Amp
38	56416508	4	Spring, Die
39	56413516	1	Contact, 36vdc 200a <b>(K6)</b>

**NOTE:** All machines built before August 2018 need to order Side Broom Lift Arm Assembly Kit 56394125 to replace Side Broom Lift Arm weldment 56413053.

### SWEEP SYSTEM-SIDE BROOM ASSY



Right Sidebroom Assembly

FRONT

Left Sidebroom Assembly



**SWEEP SYSTEM-SIDE BROOM ASSY**

<b>Item</b>	<b>Ref. No.</b>	<b>Qty</b>	<b>Description</b>
27	56413039	1	Left Side Broom Assembly
28	56413040	1	Right Side Broom Assembly
1	56002093	4	Scr, Hex 1/4-20 X 1.00
2	56002533	1	Scr, Hex 1/2-13 X 2.50
3	56002708	4	Nut, Hex Nyl Loc 1/4-20
4	56002843	1	Nut, Hex Nyl Loc-Thin 1/2-13
5	56009017	1	Wsh, Flt Harden .516x.938 X.75
6	56009115	2	Wsh, Flt Harden .594x1.375x.134
7	56413695	1	Gearmotor Assembly, 36VDC ( <b>Left-56413039 / M7</b> )
[ ]	56413696	1	Gearmotor Assembly, 36VDC ( <b>Right-56413040 / M8</b> )
[ ]	56385098	1	Motor Brush Kit 2PC ( <b>for 56413695 / 56413696</b> )
8	56394247	1	Broom Bracket Weldment-Left ( <b>56413039</b> ) <b>NOTE 1</b>
[ ]	56394250	1	Broom Bracket Weldment-Right ( <b>56413040</b> ) <b>NOTE 2</b>
9	56413056	1	Sidebroom ( <b>Standard</b> )
*	56380335	1	Sidebroom ( <b>Commercial Option</b> )
10	56394252	1	Spring Mt Broom Wldmt-Left ( <b>56413039</b> ) <b>NOTE 1</b>
[ ]	56394255	1	Spring Mt Sidebroom Wldmt-Rt ( <b>56413040</b> ) <b>NOTE 2</b>
11	56413845	1	Pin, .31 With Retainer
12	56416508	1	Spring, Die

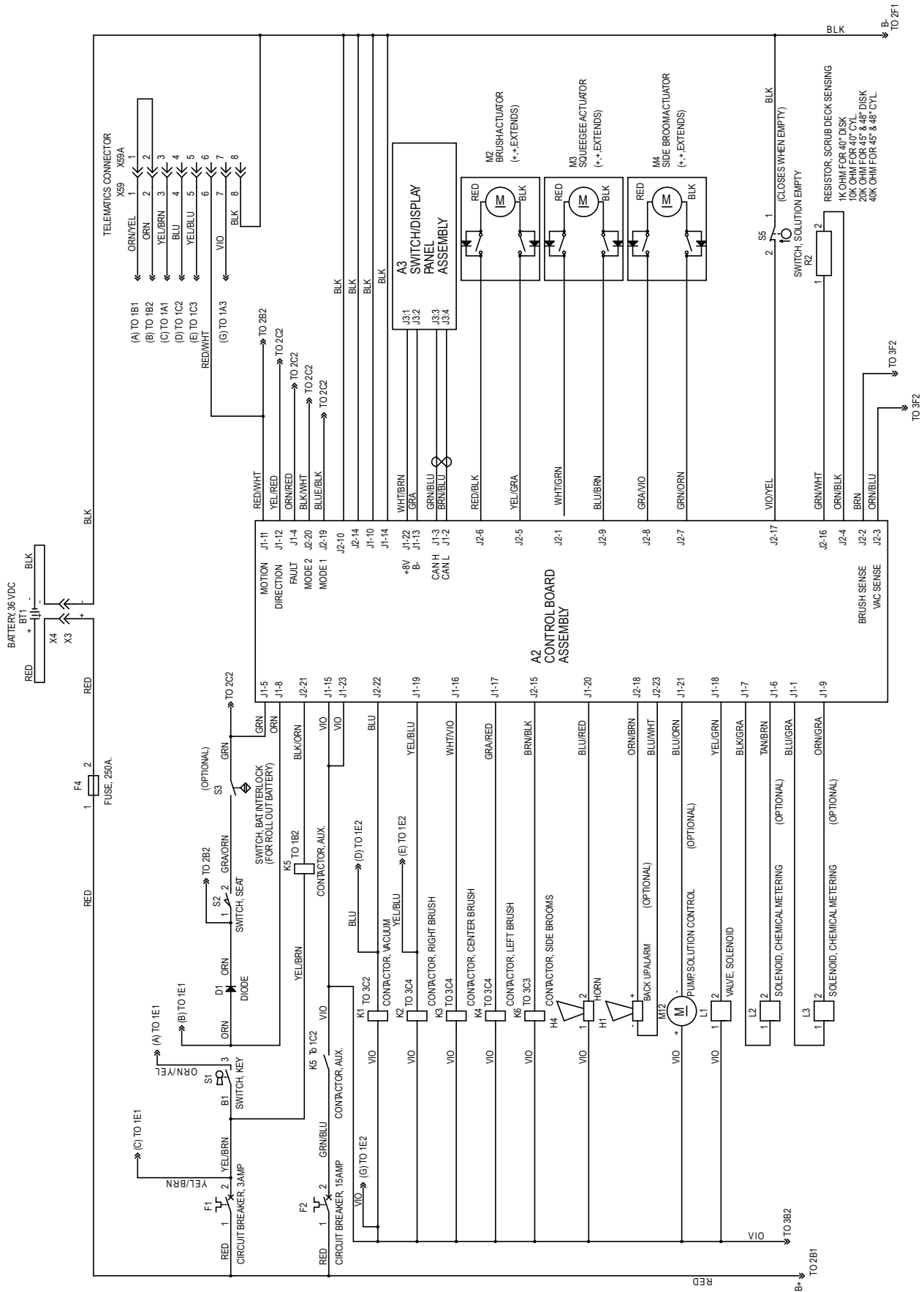
[ ] = Not Shown

\* = Optional, Not Included

**NOTE 1:** For machines built before January 2019 order Sidebroom Bracket Kit-Left 56394257 to replace the Sidebroom Bracket Weldment 56413051 and Spring Mount Weldment, Lt 56413142.

**NOTE 2:** For machines built before January 2019 order Sidebroom Bracket Kit-Right 56394258 to replace the Sidebroom Bracket Weldment 56413062 and Spring Mount Weldment, Rt 56413143.

LADDER DIAGRAM-1



### LADDER DIAGRAM-1

Item	Ref. No.	Qty	Description
A1	56414210	1	Speed Control
A2	56414222	1	PCB Board Assembly
A3	56381083	1	Switch/Display Panel Assembly
BT1	N/A		Battery
D1	NA	1	Diode
D2	NA	1	Diode (part of M15)
F1	56413406	1	Circuit Breaker, 3 Amp (Control Circuit)
F2	56413407	1	Circuit Breaker, 15 Amp (Auxiliary Circuit)
F3	56413822	1	Circuit Breaker, 20 Amp (Side Brooms)
F4	56410044	1	Fuse, 250 Amp
H1	56412177	1	Backup Alarm (optional)
H2	56305223	1	Strobe Light (optional)
H3	56409239	1	Headlight (optional)
H4	56482365	1	Horn
K1	56413516	1	Contactora, Vacuum
K2	56413516	1	Contactora, Right Brush (all models)
K3	56413516	1	Contactora, Center Brush (45" & 48" disk and all cylindrical)
K4	56413516	1	Contactora, Left Brush (45" & 48" disk only)
K5	56413516	1	Contactora, Auxiliary
K6	56413516	1	Contactora, Side Brooms
K7	56413516	1	Contactora, Main
L1	56394394	1	Solenoid Valve Kit TSB-FC-2020-003
M1	56414198	1	Wheel-Drive-AC
M2	56383970	1	Deck Actuator Kit
M3	56413111	1	Lift Actuator, Squeegee
M4	56413129	1	Lift Actuator, Side Broom
M5	56410065	1	Motor Assy, Vac
[ ]	56212223	1	Carbon Brush Set
M6	56410065	1	Motor Assy, Vac (Optional)
[ ]	56212223	1	Carbon Brush Set
M7	56413695	1	Gearmotor Assy, 36VDC (Left-cylindrical models only)
[ ]	56385098	1	Motor Brush Kit 2PC (Carbon Brush kit for 56413695)
M8	56413696	1	Gearmotor Assy, 36VDC (Right-cylindrical models only)
[ ]	56385098	1	Motor Brush Kit 2PC (Carbon Brush kit for 56413696)

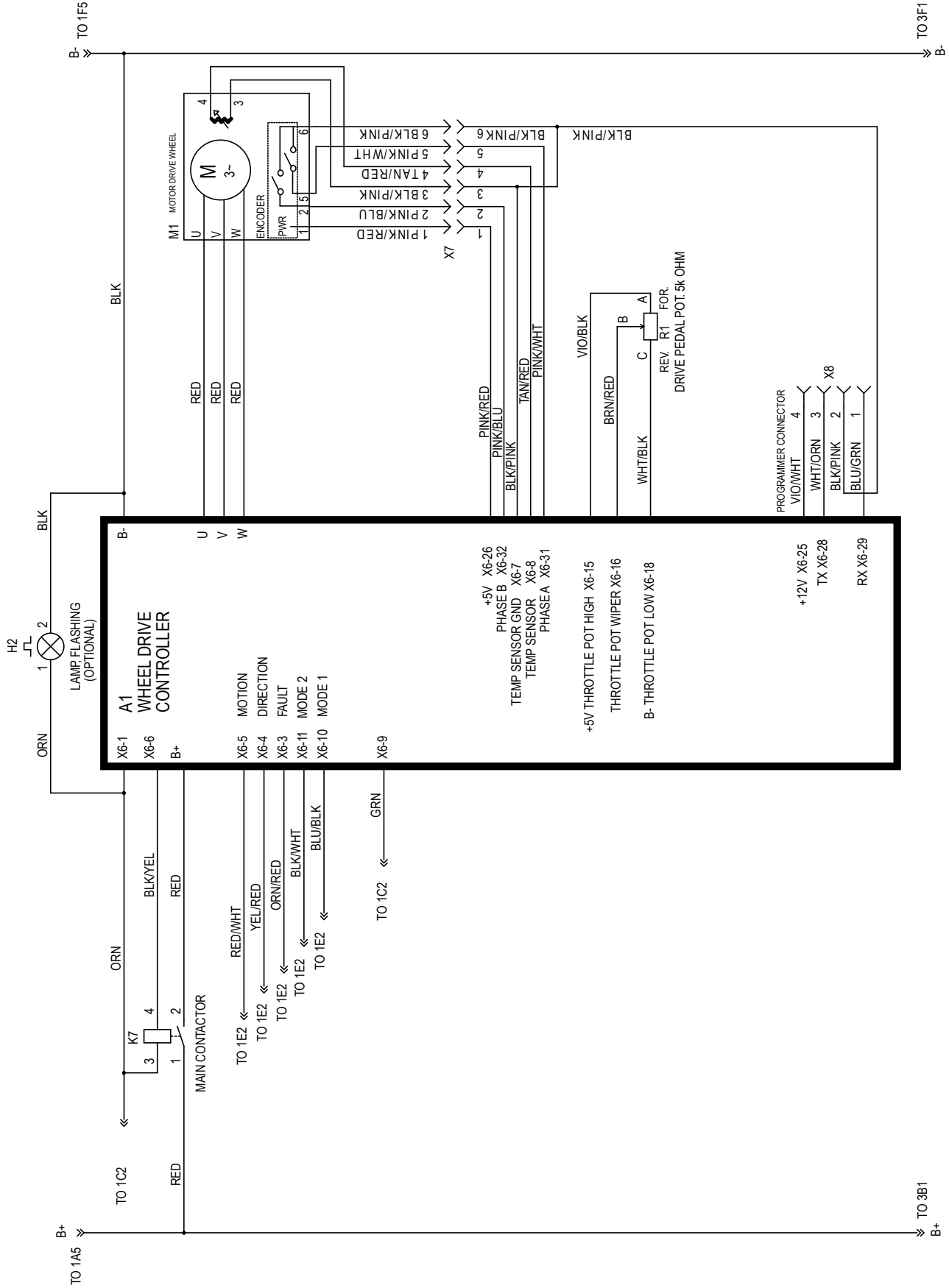
Item	Ref. No.	Qty	Description
M9	56413336	1	Gearbox Assy (40" disk)
[ ]	56410182	1	Bearing B.E. (for 56413336)
[ ]	56410183	1	Bearing F.E. (for 56413336)
[ ]	56412266	1	Brush Board Assy (for 56413336)
[ ]	56407500	1	Brush Assy Kit (for 56413336)
[ ]	56389395	1	Brush Spring Set (for 56413336)
M9	56303083	1	Gearmotor (45" & 48" disk right motor)
[ ]	56303444	4	Carbon Brush Assy (for 56303083)
[ ]	56303419	4	Brush Spring (for 56303083)
M9	56382654	1	Kit 36VDC 1.5HP Motor (all cylindrical right motor)
[ ]	56381479	1	Kit Brush Amer Motor (for 56382654)
M10	56303083	1	Gearmotor (45" & 48" disk center motor)
[ ]	56303444	4	Carbon Brush Assy (for 56303083)
[ ]	56303419	4	Brush Spring (for 56303083)
M10	56382654	1	Kit 36VDC 1.5HP Motor (all cylindrical left motor)
[ ]	56381479	1	Kit Brush Amer Motor (for 56382654)
M11	56303083	1	Gearmotor (45" & 48" disk left motor)
[ ]	56303444	4	Carbon Brush Assy (for 56303083)
[ ]	56303419	4	Brush Spring (for 56303083)
M12	56413810	1	Pump-Solution Control (ECOFLEX)
M13	56314984	1	Pump-Detergent (ECOFLEX)
M15	56212014	1	Pump, Accessory (optional)
*	56109587	1	Pump Head Assy (for 56212014)
*	56109588	1	Check Valve Assy (for 56212014)
M16	56314984	1	Pump-Detergent (ECOFLEX)
R1	56454740	1	Potentiometer, 5K Ohm
R2	56413390	1	Resistor Assy, 1k Ohm (40" disk)
	56413393	1	Resistor Assy, 10k Ohm (40" cylindrical)
	56413392	1	Resistor Assy, 20k Ohm (45" & 48" disk)
	56413391	1	Resistor Assy, 40k Ohm (45" & 48" cylindrical)
S1	1450372000	1	Switch, Key
[ ]	1462887000	1	Key, Replacement
S2	56409613	1	Switch, Seat
S3	56305053	1	Switch, Batter Interlock (optional)
S5	56413669	1	Switch, Solution Empty

[ ] = Not Shown  
 \* = Optional, Not Included

**Color Codes**

BLK	Black
BLU	Blue
BRN	Brown
GRA	Gray
GRN	Green
ORN	Orange
PINK	Pink
RED	Red
TAN	Tan
VIO	Violet
WHT	White
YEL	Yellow

LADDER DIAGRAM-2



### LADDER DIAGRAM-2

Item	Ref. No.	Qty	Description
A1	56414210	1	Speed Control
A2	56414222	1	PCB Board Assembly
A3	56381083	1	Switch/Display Panel Assembly
BT1	N/A		Battery
D1	NA	1	Diode
D2	NA	1	Diode (part of M15)
F1	56413406	1	Circuit Breaker, 3 Amp (Control Circuit)
F2	56413407	1	Circuit Breaker, 15 Amp (Auxiliary Circuit)
F3	56413822	1	Circuit Breaker, 20 Amp (Side Brooms)
F4	56410044	1	Fuse, 250 Amp
H1	56412177	1	Backup Alarm (optional)
H2	56305223	1	Strobe Light (optional)
H3	56409239	1	Headlight (optional)
H4	56482365	1	Horn
K1	56413516	1	Contactora, Vacuum
K2	56413516	1	Contactora, Right Brush (all models)
K3	56413516	1	Contactora, Center Brush (45" & 48" disk and all cylindrical)
K4	56413516	1	Contactora, Left Brush (45" & 48" disk only)
K5	56413516	1	Contactora, Auxiliary
K6	56413516	1	Contactora, Side Brooms
K7	56413516	1	Contactora, Main
L1	56394394	1	Solenoid Valve TSB-FC-2020-003
M1	56414198	1	Wheel-Drive-AC
M2	56383970	1	Deck Actuator Kit
M3	56413111	1	Lift Actuator, Squeegee
M4	56413129	1	Lift Actuator, Side Broom
M5	56410065	1	Motor Assy, Vac
[ ]	56212223	1	Carbon Brush Set
M6	56410065	1	Motor Assy, Vac (Optional)
[ ]	56212223	1	Carbon Brush Set
M7	56413695	1	Gearmotor Assy, 36VDC (Left-cylindrical models only)
[ ]	56385098	1	Motor Brush Kit 2PC (Carbon Brush kit for 56413695)
M8	56413696	1	Gearmotor Assy, 36VDC (Right-cylindrical models only)
[ ]	56385098	1	Motor Brush Kit 2PC (Carbon Brush kit for 56413696)

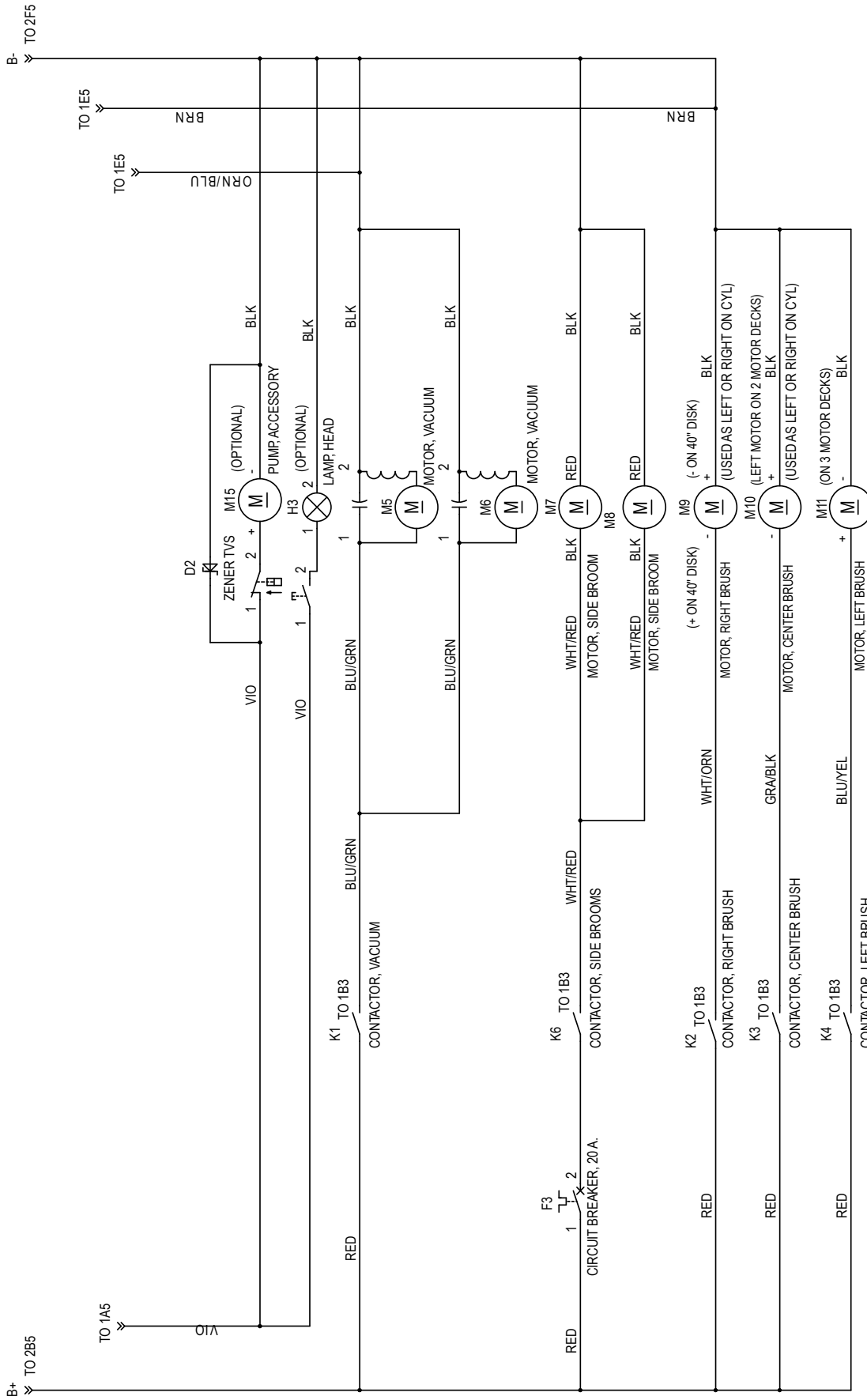
Item	Ref. No.	Qty	Description
M9	56413336	1	Gearbox Assy (40" disk)
[ ]	56410182	1	Bearing B.E. (for 56413336)
[ ]	56410183	1	Bearing F.E. (for 56413336)
[ ]	56412266	1	Brush Board Assy (for 56413336)
[ ]	56407500	1	Brush Assy Kit (for 56413336)
[ ]	56389395	1	Brush Spring Set (for 56413336)
M9	56303083	1	Gearmotor (45" & 48" disk right motor)
[ ]	56303444	4	Carbon Brush Assy (for 56303083)
[ ]	56303419	4	Brush Spring (for 56303083)
M9	56382654	1	Kit 36VDC 1.5HP Motor (all cylindrical right motor)
[ ]	56381479	1	Kit Brush Amer Motor (for 56382654)
M10	56303083	1	Gearmotor (45" & 48" disk center motor)
[ ]	56303444	4	Carbon Brush Assy (for 56303083)
[ ]	56303419	4	Brush Spring (for 56303083)
M10	56382654	1	Kit 36VDC 1.5HP Motor (all cylindrical left motor)
[ ]	56381479	1	Kit Brush Amer Motor (for 56382654)
M11	56303083	1	Gearmotor (45" & 48" disk left motor)
[ ]	56303444	4	Carbon Brush Assy (for 56303083)
[ ]	56303419	4	Brush Spring (for 56303083)
M12	56413810	1	Pump-Solution Control (ECOFLEX)
M13	56314984	1	Pump-Detergent (ECOFLEX)
M15	56212014	1	Pump, Accessory (optional)
*	56109587	1	Pump Head Assy (for 56212014)
*	56109588	1	Check Valve Assy (for 56212014)
M16	56314984	1	Pump-Detergent (ECOFLEX)
R1	56454740	1	Potentiometer, 5K Ohm
R2	56413390	1	Resistor Assy, 1K Ohm (40" disk)
	56413393	1	Resistor Assy, 10K Ohm (40" cylindrical)
	56413392	1	Resistor Assy, 20K Ohm (45" & 48" disk)
	56413391	1	Resistor Assy, 40K Ohm (45" & 48" cylindrical)
S1	1450372000	1	Switch, Key
[ ]	1462887000	1	Key, Replacement
S2	56409613	1	Switch, Seat
S3	56305053	1	Switch, Batter Interlock (optional)
S5	56413669	1	Switch, Solution Empty

[ ] = Not Shown  
 \* = Optional, Not Included

**Color Codes**

BLK	Black
BLU	Blue
BRN	Brown
GRA	Gray
GRN	Green
ORN	Orange
PINK	Pink
RED	Red
TAN	Tan
VIO	Violet
WHT	White
YEL	Yellow

LADDER DIAGRAM-3



### LADDER DIAGRAM-3

Item	Ref. No.	Qty	Description
A1	56414210	1	Speed Control
A2	56414222	1	PCB Board Assembly
A3	56381083	1	Switch/Display Panel Assembly
BT1	N/A		Battery
D1	NA	1	Diode
D2	NA	1	Diode (part of M15)
F1	56413406	1	Circuit Breaker, 3 Amp (Control Circuit)
F2	56413407	1	Circuit Breaker, 15 Amp (Auxiliary Circuit)
F3	56413822	1	Circuit Breaker, 20 Amp (Side Brooms)
F4	56410044	1	Fuse, 250 Amp
H1	56412177	1	Backup Alarm (optional)
H2	56305223	1	Strobe Light (optional)
H3	56409239	1	Headlight (optional)
H4	56482365	1	Horn
K1	56413516	1	Contactora, Vacuum
K2	56413516	1	Contactora, Right Brush (all models)
K3	56413516	1	Contactora, Center Brush (45" & 48" disk and all cylindrical)
K4	56413516	1	Contactora, Left Brush (45" & 48" disk only)
K5	56413516	1	Contactora, Auxiliary
K6	56413516	1	Contactora, Side Brooms
K7	56413516	1	Contactora, Main
L1	56394394	1	Solenoid Valve TSB-FC-2020-003
M1	56414198	1	Wheel-Drive-AC
M2	56383970	1	Deck Actuator Kit
M3	56413111	1	Lift Actuator, Squeegee
M4	56413129	1	Lift Actuator, Side Broom
M5	56410065	1	Motor Assy, Vac
[ ]	56212223	1	Carbon Brush Set
M6	56410065	1	Motor Assy, Vac (Optional)
[ ]	56212223	1	Carbon Brush Set
M7	56413695	1	Gearmotor Assy, 36VDC (Left-cylindrical models only)
[ ]	56385098	1	Motor Brush Kit 2PC (Carbon Brush kit for 56413695)
M8	56413696	1	Gearmotor Assy, 36VDC (Right-cylindrical models only)
[ ]	56385098	1	Motor Brush Kit 2PC (Carbon Brush kit for 56413696)

Item	Ref. No.	Qty	Description
M9	56413336	1	Gearbox Assy (40" disk)
[ ]	56410182	1	Bearing B.E. (for 56413336)
[ ]	56410183	1	Bearing F.E. (for 56413336)
[ ]	56412266	1	Brush Board Assy (for 56413336)
[ ]	56407500	1	Brush Assy Kit (for 56413336)
[ ]	56389395	1	Brush Spring Set (for 56413336)
M9	56303083	1	Gearmotor (45" & 48" disk right motor)
[ ]	56303444	4	Carbon Brush Assy (for 56303083)
[ ]	56303419	4	Brush Spring (for 56303083)
M9	56382654	1	Kit 36VDC 1.5HP Motor (all cylindrical right motor)
[ ]	56381479	1	Kit Brush Amer Motor (for 56382654)
M10	56303083	1	Gearmotor (45" & 48" disk center motor)
[ ]	56303444	4	Carbon Brush Assy (for 56303083)
[ ]	56303419	4	Brush Spring (for 56303083)
M10	56382654	1	Kit 36VDC 1.5HP Motor (all cylindrical left motor)
[ ]	56381479	1	Kit Brush Amer Motor (for 56382654)
M11	56303083	1	Gearmotor (45" & 48" disk left motor)
[ ]	56303444	4	Carbon Brush Assy (for 56303083)
[ ]	56303419	4	Brush Spring (for 56303083)
M12	56413810	1	Pump-Solution Control (ECOFLEX)
M13	56314984	1	Pump-Detergent (ECOFLEX)
M15	56212014	1	Pump, Accessory (optional)
*	56109587	1	Pump Head Assy (for 56212014)
*	56109588	1	Check Valve Assy (for 56212014)
M16	56314984	1	Pump-Detergent (ECOFLEX)
R1	56454740	1	Potentiometer, 5K Ohm
R2	56413390	1	Resistor Assy, 1K Ohm (40" disk)
	56413393	1	Resistor Assy, 10K Ohm (40" cylindrical)
	56413392	1	Resistor Assy, 20K Ohm (45" & 48" disk)
	56413391	1	Resistor Assy, 40K Ohm (45" & 48" cylindrical)
S1	1450372000	1	Switch, Key
[ ]	1462887000	1	Key, Replacement
S2	56409613	1	Switch, Seat
S3	56305053	1	Switch, Batter Interlock (optional)
S5	56413669	1	Switch, Solution Empty

[ ] = Not Shown  
 \* = Optional, Not Included

**Color Codes**

BLK	Black
BLU	Blue
BRN	Brown
GRA	Gray
GRN	Green
ORN	Orange
PINK	Pink
RED	Red
TAN	Tan
VIO	Violet
WHT	White
YEL	Yellow

## OPTIONAL KITS & ACCESSORIES

Item	Ref. No.	Qty	Description
<b>Optional Kits</b>			
*	56394489	1	Kit, Battery Tray Only
*	56413821	1	Vacuum Motor Kit, (2nd Vac Motor)
*	56413089	1	Kit, Heavy Front Bumper
*	56414188	1	Bumper Tube Kit
*	56413764	1	Kit, Deluxe Seat
*	56413687	1	Kit, Spray Wand
*	56413649	1	Kit, Warning Beacon
*	56413681	1	Kit, Back-Up Alarm
*	56413774	1	Kit, Overhead Guard
*	56394262	1	Seat Belt Kit-Std Seat-SC6500
*	56314313	1	Kit, Headlight
*	56413773	1	Kit, Operator Foot Guard
*	56413685	1	Kit, Solution Auto-Fill
*	56413819	1	Kit, Floor Mat
*	56314981	1	Kit, Battery Watering

### 40" Disk Scrub Brushes

*	56505790	2	Short Trim Pad Holder
*	56505195	2	Pad Retainer for 56505750
*	56505791	2	MagnaGrit
*	56505792	2	DynaGrit
*	56505793	2	AgLite
*	56505794	2	Prolene
*	56505795	2	ProLite
*	56505796	2	Union Mix
*	56505797	2	MidGrit
*	56505798	2	MidLite Grit

### 45" Disk Scrub Brushes

*	56505830	2	Short Trim Pad Holder
*	56505195	2	Pad Retainer for 56505750
*	56505831	2	MagnaGrit
*	56505832	2	DynaGrit
*	56505833	2	AgLite
*	56505834	2	Prolene
*	56505835	2	ProLite
*	56505836	2	Union Mix
*	56505837	2	MidGrit
*	56505838	2	MidLite Grit

### 48" Disk Scrub Brushes

*	56505780	2	Short Trim Pad Holder
*	56505195	2	Pad Retainer for 56505750
*	56505781	2	MagnaGrit
*	56505782	2	DynaGrit
*	56505783	2	AgLite
*	56505784	2	Prolene
*	56505785	2	ProLite
*	56505786	2	Union Mix
*	56505787	2	MidGrit
*	56505788	2	MidLite Grit

Item	Ref. No.	Qty	Description
<b>40" Cylindrical Scrub Brushes</b>			
*	56413113	2	Soft Nylon
*	56413114	2	Hard Nylon
*	56413118	2	Prolene
*	56413115	2	180 Grit
*	56413116	2	80 Grit

### 45" Cylindrical Scrub Brushes

*	56413434	2	Soft Nylon
*	56413435	2	Hard Nylon
*	56413439	2	Prolene
*	56413436	2	180 Grit
*	56413437	2	80 Grit

### 48" Cylindrical Scrub Brushes

*	56413352	2	Soft Nylon
*	56413353	2	Hard Nylon
*	56413357	2	Prolene
*	56413354	2	180 Grit
*	56413355	2	80 Grit

\* = Optional, Not Included

**NOTE 1:** Replacement parts for the kits listed above can be found on each kit's associated instruction sheet.



## OPTIONAL KITS & ACCESSORIES

Item	Ref. No.	Qty	Description
<b>40" Squeegee Blade Kits</b>			
*	56413761	1	Kit, Gum Rubber Squeegee Blade F <b>NOTE 2</b>
	56413762	1	Blade Kit-Sqgee Linatex F (Std) <b>NOTE 2</b>
*	56413745	1	Kit, Polyurethane Squeegee Blade F <b>NOTE 2</b>
<b>45" Squeegee Blade Kits</b>			
*	56413756	1	Kit, Gum Rubber Squeegee Blade G <b>NOTE 2</b>
	56413757	1	Blade Kit-Sqgee Linatex G (Std) <b>NOTE 2</b>
*	56413746	1	Kit, Polyurethane Squeegee Blade G <b>NOTE 2</b>
<b>48" Squeegee Blade Kits</b>			
*	56413765	1	Kit, Gum Rubber Squeegee Blade H <b>NOTE 2</b>
	56413766	1	Blade Kit-Linatex Squeegee H (Std) <b>NOTE 2</b>
*	56413747	1	Kit, Polyurethane Squeegee Blade H <b>NOTE 2</b>
<b>40" Disk Deck Blade Kits</b>			
*	56413767	1	Kit, Gum Rubber 40 Disk Blade <b>NOTE 3</b>
	56413768	1	Blade Kit-Disc Linatex 40 (Std) <b>NOTE 3</b>
*	56413754	1	Kit, Polyurethane 40 Disk Blade <b>NOTE 3</b>
<b>45", 48" Disk Deck Blade Kits</b>			
*	56413769	1	Kit, Gum Rubber 45/48 Disk Blade <b>NOTE 3</b>
	56413770	1	Blade Kit-Disc Linatex (Std) <b>NOTE 3</b>
*	56413755	1	Kit, Poyurethane 45/48 Disk Blade <b>NOTE 3</b>
<b>Cylindrical Deck Blades</b>			
*	56413820	2	Skirt, Gum Rubber
	56413654	2	Skirt-Blade-Side-Linatex (Std)
*	56413743	2	Skirt, Polyurethane
<b>Optional Battery Kit</b>			
*	56394484	1	Kit, Battery Roll Out – No Batt
<b>Accessories</b>			
*	56383571	1	Programmer-User
*	56383572	1	Programmer Cable-Molex
*	56303429	1	Cart, Battery Exchange
*	56303430	1	Rack, Battery Storage
*	56044645	1	Literature Pack

\* = Optional, Not Included

**NOTE 2:** Squeegee Blade Kits include both front & rear squeegee blades.

**NOTE 3:** Disk Deck Blade Kits include all skirt assembly blades.

**RECOMMENDED SPARE PARTS****WEAR ITEMS****BRUSHES**

<b>Disk Scrub Brushes</b>	<b>40D</b>	<b>45D</b>	<b>48D</b>
Short Trim Pad Holder	56505790	56505830	56505780
Pad Retainer for 56505750	56505195	56505195	56505195
MagnaGrit	56505791	56505831	56505781
DynaGrit	56505792	56505832	56505782
AgLite	56505793	56505833	56505783
Prolene	56505794	56505834	56505784
ProLite	56505795	56505835	56505785
Union Mix	56505796	56505836	56505786
MidGrit	56505797	56505837	56505787
MidLite Grit	56505798	56505838	56505788

<b>Cylindrical Scrub Brushes</b>	<b>40C</b>	<b>45C</b>	<b>48C</b>
Soft Nylon	56413113	56413434	56413352
Hard Nylon	56413114	56413435	56413353
Prolene	56413118	56413439	56413357
180 Grit	56413115	56413436	56413354
80 Grit	56413116	56413437	56413355

**BROOMS**

<b>Side Brooms</b>	<b>40C</b>	<b>45C</b>	<b>48C</b>
Side Broom (Standard)	56413056	56413056	56413056
Side Broom (Optional)	56380335	56380335	56380335

**DECK BLADES**

<b>Disk Deck Blade Kits</b>	<b>40D</b>	<b>45D</b>	<b>48D</b>
Kit, Gum Rubber 40 Disk Blade	56413767		
Blade Kit-Disc Linatex 40 (Std)	56413768		
Kit, Polyurethane 40 Disk Blade	56413754		
Kit, Gum Rubber 45/48 Disk Blade		56413769	56413769
Blade Kit-Disc Linatex 45/48 (Std)		56413770	56413770
Kit, Polyurethane 45/48 Disk Blade		56413755	56413755

<b>Cylindrical Deck Blades</b>	<b>40C</b>	<b>45C</b>	<b>48C</b>
Skirt, Gum Rubber	56413820	56413820	56413820
Skirt-Blade-Side-Linatex (Std)	56413654	56413654	56413654
Skirt, Polyurethane	56413743	56413743	56413743

**REAR SQUEEGEE BLADES**

<b>Squeegee Blade Kits</b>	<b>40 (F)</b>	<b>45 (G)</b>	<b>48 (H)</b>
Kit, Gum Rubber Squeegee Blade	56413761		
Blade Kit-Sqgee Linatex (Std)	56413762		
Kit, Polyurethane Squeegee Blade	56413745		
Kit, Gum Rubber Squeegee Blade		56413756	
Blade Kit-Sqgee Linatex (Std)		56413757	
Kit, Polyurethane Squeegee Blade		56413746	
Kit, Gum Rubber Squeegee Blade			56413765
Blade Kit-Linatex Squeegee (Std)			56413766
Kit, Polyurethane Squeegee Blade			56413747

## RECOMMENDED SPARE PARTS PERIODIC SERVICE ITEMS AND SPARES

**CLASS**

W = Normal Wear  
O = Ordinary Maintenance  
E = Extra-Ordinary Maintenance

<b>Class</b>	<b>Ref No.</b>	<b>Description</b>	<b>Class</b>	<b>Ref No.</b>	<b>Description</b>
					<b>SCRUB SYSTEM (CONTINUED)</b>
	E 56413307	Right Skirt Assy-Disk (45", 48")		E 56413381	Left Skirt Assy-Disk (45", 48")
	O 56413374	Blade, Front-Disk (45", 48")		O 56413379	Blade, Rear-Disk (45", 48")
					<b>SOLUTION SYSTEM</b>
				O 56407162	Filter-Solution
				O 56384157	Gasket-Filter
				E 56413581	Valve, T Shutoff
				E 56413669	Switch, Liquid Level
				E 56394394	Solenoid Valve Kit
				E 56314984	Pump, Detergent-EcoFlex
				E 56315523	Cap, Dry Bread, 1/8 Barb, 90-EcoFlex
				E 56413810	Pump, 36VDC -EcoFlex
				E 56111855	Chemical Bottle Assy-EcoFlex
					<b>SQUEEGEE SYSTEM</b>
				E 56413111	Actuator 36Vdc-Squeegee
				O 56407344	Caster Wheel
				E 56009111	Nut, Wing SS 1/4-20
				E 56111639	Wheel 4.00 Dia.
				E 56370711	Nut Thumb
				O 56471194	Latch Assy
					<b>SWEEP SYSTEM</b>
				E 56413039	Left Side Broom Assy
				E 56413040	Right Side Broom Assy
				E 56413129	Actuator Motor 36Vdc
				E 56413048	Link
				E 56413695	Gearmotor Assy 36Vdc-Left
				E 56413696	Gearmotor Assy 36Vdc-Right
				O 56385098	Motor Brush Kit 2PC
				O 56413845	Pin, .31 w/ Retainer
					<b>STEERING SYSTEM</b>
				E 56412198	Chain, Roller
				E 56413211	Bearing, Flange
				E 56414075	Ratchet-Steering Column
				E 56414078	Rod-Tilt Wheel
				E 56414082	Sprocket-10 Tooth
				E 56454081	Universal Joint
					<b>FRONT WHEEL SYSTEM</b>
				E 56414198	1 Wheel-Drive-AC
				O 56414214	1 Wheel-3.94x350
					<b>REAR WHEEL &amp; BRAKE SYSTEM</b>
				E 56413024	Brake-Ccw Rh
				E 56413025	Brake-Cw Lh
				E 56413293	Rotor
				E 56414127	Cable Assy
				E 56407133	Yoke, Clevis
				E 56414062	Wheel-Rear-14in-3.5in
				E 56414064	Bearing-Ball-30mm X 62mm X 16mm (56414062 2 per Wheel)
					<b>CHASSIS</b>
	E 56414139	Right Guard Assy (All)			
	E 56414140	Left Guard Assy (45" & 48" Only)			
	O 56407006	Wheel, Roller			
	O 56462746	Latch			
					<b>ELECTRICAL COMPONENTS</b>
	O 56410044	Fuse, 250 Amp			
	E 56482365	Horn, 36 V			
	E 56414210	Speed Control			
	O 56413406	Circuit Breaker, 3.0 Amp.			
	O 56413407	Circuit Breaker, 15 Amp.			
	O 56413822	Circuit Breaker, 20 Amp-Sweep System			
	E 56414222	PCB Box Assembly			
	O 56413516	Contact, 36Vdc 200A			
	E 56381083	Touch Pad Assy			
	E 1450372000	Key Switch w/ Key			
	E 1462887000	Key, Replacement			
	E 56601052	Foot Pedal Assy			
					<b>RECOVERY SYSTEM</b>
	O 56212236	Clamp Plastic			
	O 56314760	Gasket, Vacuum Duct			
	E 56410065	Vac Motor Assy			
	E 56384012	Hose-Drain-Pu (Includes Hose Cap)			
	O 56601411	Drain Hose Cap Kit			
	E 56413171	Hose, Vac 2.00 x 42.00 x 975018			
	E 56384655	Hose-Vacuum-Pu Kit			
	O 56414192	Gasket, Recovery Lid Assy			
	O 56413194	Screen Filter			
	O 56413195	Filter			
					<b>SCRUB SYSTEM</b>
	E 56412262	Housing, Spring-Actuator-Deck (All)			
	E 56383970	Deck Actuator Kit (All)			
	O 56407006	Wheel, Roller (All)			
	E 56414164	Broom Idler Assy-Cyl (All)			
	E 56414123	Broom Drive Lug Assy-Cyl (All)			
	E 56414178	Belt Guard Assy-Cyl (All)			
	E 56414125	Belt-Auto Tension-Cyl (All)			
	E 56382654	Kit 36VDC 1.5HP Motor-Cyl (All)			
	O 56381479	Kit Brush AMER Motor-Cyl (All)			
	E 56413871	Left Skirt Assy-Cyl (40")			
	E 56413556	Left Skirt Assy-Cyl (45", 48")			
	E 56413609	Right Skirt Assy-Cyl (All)			
	E 56413336	Gearbox Assy-Disk (40")			
	O 56407500	Brush Assy Kit-Disk (40")			
	E 56407196	Gearbox-Disk (40")			
	E 56413307	Right Skirt Assy-Disk (40")			
	E 56413313	Left Skirt Assy-Disk (40")			
	O 56413318	Blade, Front-Disk (40")			
	O 56413319	Blade, Rear-Disk (40")			
	E 56303083	Gearmotor-Disk (45", 48")			
	O 56303444	Carbon Brush Assy-Disk (45", 48")			

## BRUSH SELECTOR GUIDE-DISK

We provide brushes and pad holders that will give you the best possible performance between machine and floor. Following are descriptions of the materials and their applications.

- Union Mix:** Medium grade natural fibers for polishing finished floors with standard-speed equipment. Recommended for use in place of white pads.
- ProLite:** Bristles are made from light-duty polypropylene for general scrubbing when you do not want to scratch or remove finish from the floor. Recommended for use in place of red pads.
- Prolene:** Polypropylene material for medium-duty scrubbing on concrete, terrazzo and vinyl floor tile. Recommended for use in place of green or blue pads.
- Magna Grit:** For extreme heavy-duty scrubbing or stripping of floors. This brush has extra large diameter silicon carbide grit impregnated synthetic bristles. Recommended for use in place of black pads.
- Dyna Grit:** For aggressive, heavy-duty scrubbing or stripping of floors. Recommended for use in place of brown pads.
- MidLite Grit:** For general purpose scrubbing of sealed or unsealed concrete, stone, terrazzo, quarry tile and other resilient hard floor surfaces. Recommended for use in place of green or blue pads.
- MidGrit:** For general purpose scrubbing when you need a lighter action for sealed or unsealed concrete, stone, terrazzo, quarry tile and other resilient hard floor surfaces. Recommended for use in place of green or blue pads.
- AgLite Grit:** For light scrubbing when used wet; buffing or polishing when used dry on urethane coated, sealed concrete or other resilient hard surface floors. Recommended for use in place of red or white pads.
- Short Trim Pad Holder:** Made with a structural foam block and center ring for correct pad centering. It has a "shower feed" design for getting solution to the floor.

### 40" BRUSHES

56505790 - Short Trim Pad Holder  
 56505195 - Pad Retainer for 56505790  
 56505795 - Prolite  
 56505794 - Prolene  
 56505796 - Union Mix  
 56505793 - AgLite Grit  
 56505797 - MidGrit  
 56505798 - MidLite Grit  
 56505792 - Dyna Grit  
 56505791 - Magna Grit

### 45" BRUSHES

56505830 - Short Trim Pad Holder  
 56505195 - Pad Retainer for 56505830  
 56505835 - Prolite  
 56505834 - Prolene  
 56505836 - Union Mix  
 56505833 - AgLite Grit  
 56505837 - MidGrit  
 56505838 - MidLite Grit  
 56505832 - Dyna Grit  
 56505831 - Magna Grit

### 48" BRUSHES

56505780 - Short Trim Pad Holder  
 56505195 - Pad Retainer for 56505780  
 56505785 - Prolite  
 56505784 - Prolene  
 56505786 - Union Mix  
 56505783 - AgLite Grit  
 56505787 - MidGrit  
 56505788 - MidLite Grit  
 56505782 - Dyna Grit  
 56505781 - Magna Grit

## DISC BRUSH APPLICATION GUIDE (SUGGESTION ONLY)

Application	46 Grit	80 Grit	180 Grit	240 Grit	500 Grit	Prolene	Prolite	Union Mix
<b>Stripping:</b>								
Concrete	X	X						
Terrazzo	X	X						
Ceramic/Quarry tile		X						
Vinyl tile		X						
<b>General Scrubbing:</b>								
Concrete	X	X	X	X		X		
Terrazzo			X	X	X	X		
Ceramic/Quarry tile			X	X	X	X		
Marble					X		X	
Vinyl tile			X		X	X		
Raised-rubber tile					X		X	
<b>Polishing:</b>								
Raised Disc Tile								X
Marble								X
Vinyl tile								X

## BRUSH SELECTOR GUIDE-CYLINDRICAL

We provide brushes and pad holders that will give you the best possible performance between machine and floor. Following are descriptions of the materials and their applications.

- 80 Grit Brush:** Medium aggressive grit brush. Good all-around brush for medium to heavy buildup removal. Can also be used for general stripping operations.
- 180 Grit Brush:** Least aggressive grit brush. Used for daily cleaning of hard-finished floors.
- Polypropylene Brush:** Standard equipment brush. Low cost, yet effective in cleaning many common floor surfaces.
- Stiff Nylon Brush:** Cleaning action similar to polypropylene. More durable and wear-resistant than polypropylene.
- Soft Nylon Brush:** Least aggressive brush available. Used on soft-finish floors where a more aggressive brush would leave scratch marks, or in applications requiring very light cleaning.

### 40" BRUSHES

56413113 - Soft Nylon  
 56413114 - Hard Nylon  
 56413118 - Prolene  
 56413115 - 180 Grit  
 56413116 - 80 Grit

### 45" BRUSHES

56413434 - Soft Nylon  
 56413435 - Hard Nylon  
 56413439 - Prolene  
 56413436 - 180 Grit  
 56413437 - 80 Grit

### 48" BRUSHES

56413352 - Soft Nylon  
 56413353 - Hard Nylon  
 56413357 - Prolene  
 56413354 - 180 Grit  
 56413355 - 80 Grit

## CYLINDRICAL BRUSH APPLICATION GUIDE (SUGGESTION ONLY)

Application	80 Grit	180 Grit	Polypro- pylene	Stiff Nylon	Soft Nylon
<b>Stripping:</b>					
Concrete	X				
Terrazzo	X				
Ceramic/Quarry tile	X				
Vinyl tile	X				
<b>General Scrubbing:</b>					
Concrete	X	X	X	X	
Terrazzo		X	X	X	X
Ceramic/Quarry tile		X	X	X	X
Marble		X		X	X
Vinyl tile		X	X	X	X
Raised-rubber tile		X			X

## SQUEEGEE BLADE SELECTOR GUIDE

Gum Rubber: Provides superior wiping action on tile, terrazzo, and polished floors.

Linatex: Provides longest life on finished or unfinished concrete floors.

Polyurethane: Oil resistance provides superior life in applications with oily floors.

### SQUEEGEE BLADE APPLICATION GUIDE(SUGGESTION ONLY)

Performance Traits	Gum Rubber (Natural Rubber)	Linatex (Natural Rubber)	Polyurethane/ Pentathane
Resilience	X		X
Tear Strength	X		X
Abrasion Resistance	X	X	X
Wear Resistance		X	X
Low Temp Flexibility	X	X	
High Temp Flexibility	X		X
Ozone Resistance			
Chemical Resistance			X
<b>Applications</b>			
Oil Resistant Applications			X
General Purpose	X	X	X
Hot Water Applications		X	X
Chemical Applications			X
<b>Color</b>	Tan	Red	Translucent





9435 Winnetka Ave North  
Minneapolis, MN 55445  
[www.advance-us.com](http://www.advance-us.com)  
Phone: 800-989-2235  
Fax: 800-989-6566  
©2020 Nilfisk, Inc.

