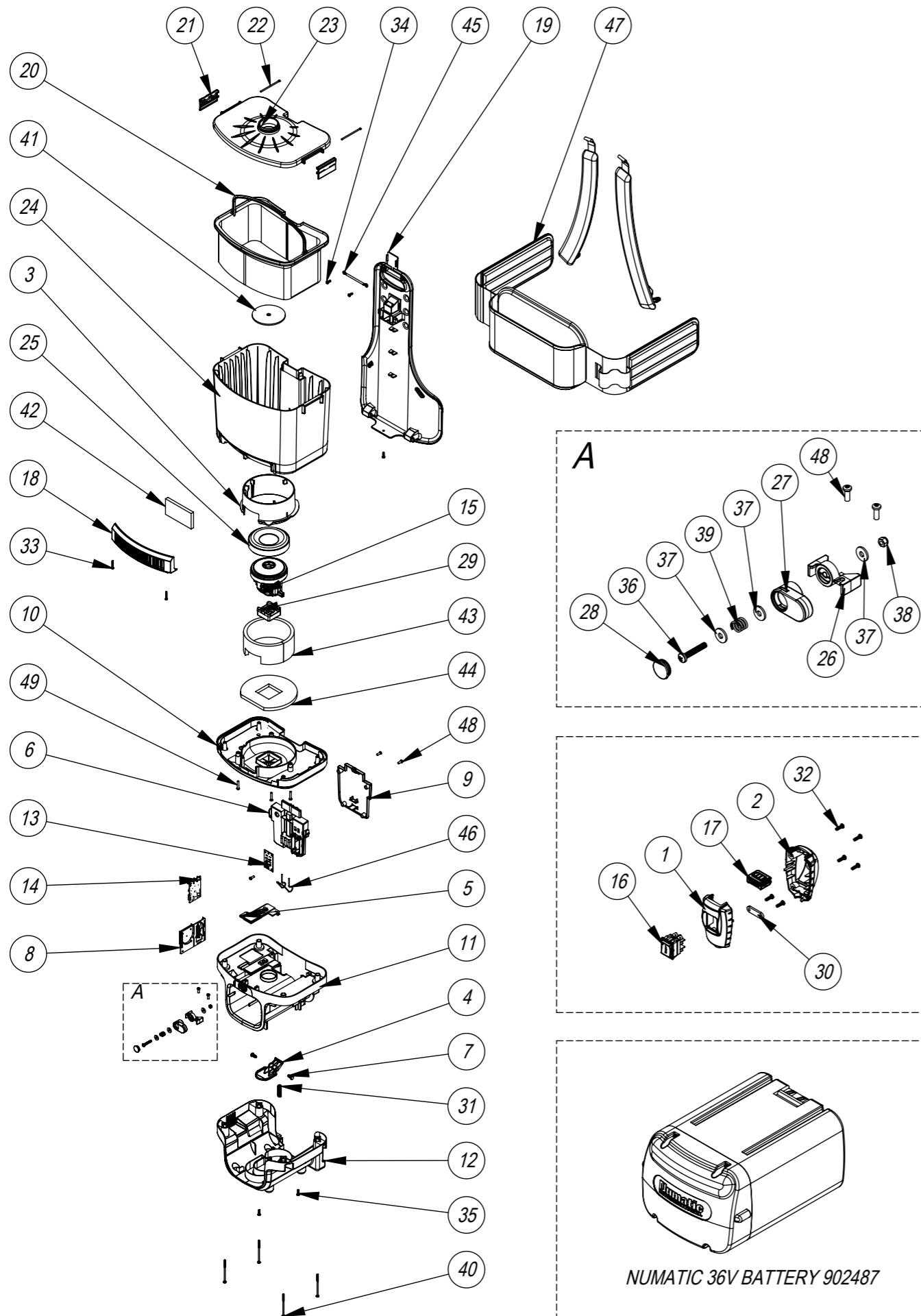


# Numatic International Spare Parts

## Model No: RSB (RUCSAC BATTERY) EXPLODED DRAWING

NB: FOR WIRING SEE DRAWING: DRW-24747

n/a  
DRAWING: DRW-12105 ISS:A12  
14/08/2017



# Numatic International Spare Parts

## Model No: RSB (RUCSAC BATTERY) EXPLODED DRAWING

ITEM NO.	PART NUMBER	DESCRIPTION	QTY.	COMMENTS:
1	237594	RSV SWITCH MODULE HOUSING (1/2)	1	
2	237595	RSV SWITCH MODULE HOUSING (2/2)	1	
3	237585	RSB INNER MOTOR SLEEVE	1	
4	237588	RSB BATTERY RELEASE CATCH	1	
5	237586	WIRE MANAGEMENT INSERT	1	
6	237589	RSB CABLE HOUSING FRONT	1	
7	237597	BATTERY RELEASE TOGGLE - HINGE PIN	2	
8	237582	PCB BRACKET	1	
9	237590	RSB CABLE HOUSING BACK	1	
10	237584	RSB TOP MOTOR HOUSING	1	
11	237583	RSB BATTERY HOUSING	1	
12	N/A	RSB LOWER FASCIA	1	COLOUR VARIANT: CONTACT NUMATIC FOR DETAILS
13	230223	BATTERY VAC CONNECTING PCB	1	
14	905470	MOTOR CONTROL PCB	1	
15	902326	36V DC 1 STAGE DIRECT AIR FLOW LAMB MOTOR (DL1-36300T) SERIES	1	
16	903963	SWITCH.DPDT.RKR.HV	1	
17	903030	LED BATTERY LIFE INDICATOR WITH PCB	1	
18	227199	DIFFUSER MOULDING (BEC)	1	
19	206509	BACK SUPPORT MOULDING (LONG)	1	
20	N/A	FILTER ASSEMBLY	1	FILTER VARIANT: CONTACT NUMATIC FOR DETAILS
21	227186	TOGGLE MOULDING	2	
22	206326	TOGGLE PIN	2	
23	227183	LID MOULDING	1	
24	N/A	RSV 130 BODY MOULDING	1	COLOUR VARIANT: CONTACT NUMATIC FOR DETAILS
25	237616	MOTOR GASKET	1	
26	237591	BATTERY RELEASE BASE MOULDING	1	
27	237592	BATTERY RELEASE TOP MOULDING	1	
28	237593	LOCKING CAP	1	
29	237617	MOTOR TOP MOUNT	1	
30	392305	REMOTE CABLE CLAMP	1	
31	216465	11MM COIL SPRING	1	
32	219667	No6 X 1/2" LONG PLASTITE SCREW	6	
33	219602	No6 X 1 INCH LONG POZI PAN PLASTITE SCREW (Z/PL)	2	
34	219601	No8 X 3/8 INCH LONG POZI PAN PLASTITE SCREW	2	
35	219105	No8 X 5/8 INCH LONG POZI PAN PLASTITE SCREW	3	
36	299020	M5 X 30MM LONG POZI PAN SCREW	1	
37	219005	M5 FORM G WASHER	3	
38	219076	M5 NYLON INSERT NUT	1	
39	206599	SPRING (REF:C5514370)	1	
40	291049	No8 X 2.95 TX-PN-PLAST SCREW (ZINC PLATED)	4	
41	209085	RSB BURST BAG FILTER	1	
42	209084	RSB DIFFUSER GRILLE FOAM	1	
43	209083	RSB MOTOR SIDE ACOUSTIC BARRIER	1	
44	209082	RSB MOTOR TOP ACOUSTIC BARRIER	1	
45	206353	HARNESS PIN	1	
46	216655	BATTERY RELEASE SPRING	1	
47	206462	RSV HARNESS ASSEMBLY	1	
48	291152	NO8.1/2 INCH LG.T20.SCREW.Z/PL.PLASTITE	6	
49	291082	#8 SCREW 1"L T20 PAN HEAD P/L THREAD FORMING	3	
50	220844	WHITE CABLE TIES	3	