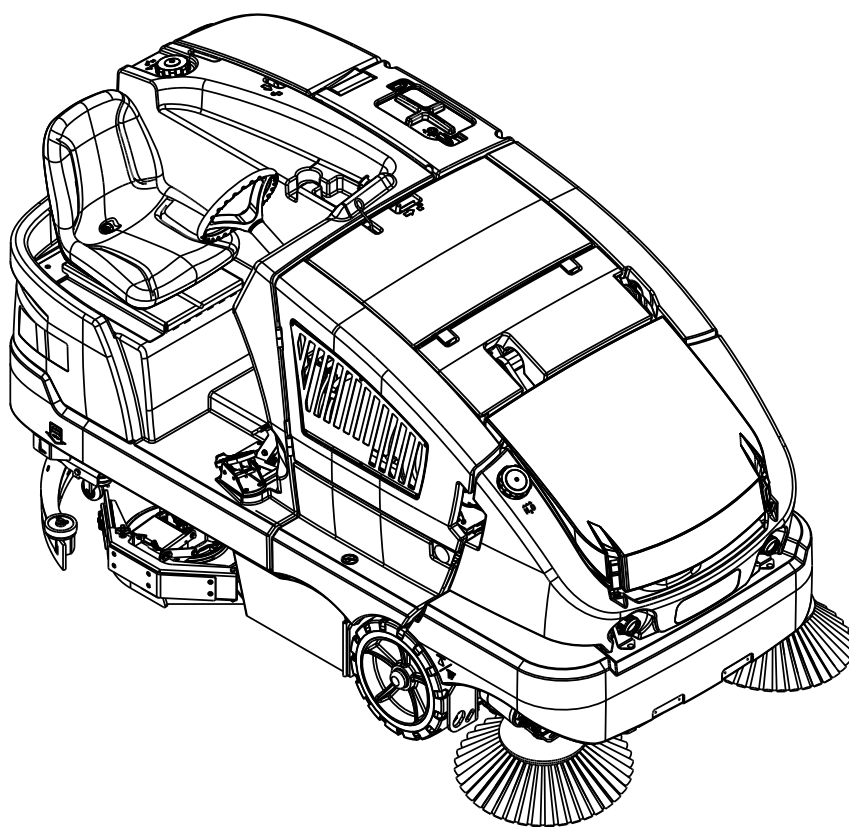


CS7010

Parts List

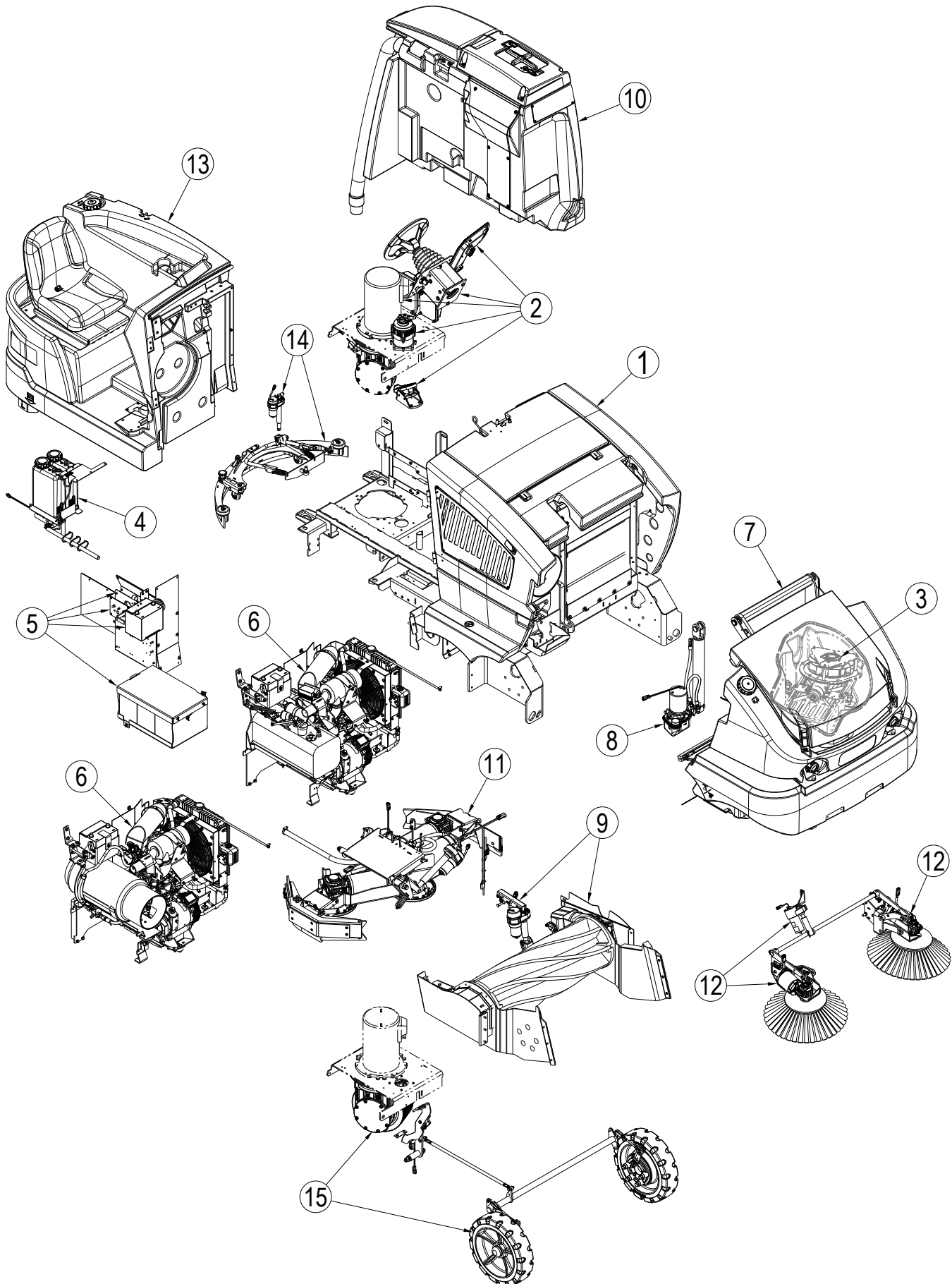
12/2016 revised 5/2020 REV G
Form no. 56042665



Models:

56511710(48 LPG Hybrid), 56511712(48 Diesel Hybrid), 56511713(48 Battery),
56511812(48 Fuel Cell EcoFlex), 56511814(48 Gasoline Hybrid), 56511819(48 Fuel Cell)

GENERAL VIEW



GENERAL VIEW

| Kit | Item | Ref. No. | Qty | Description |
|------------|-------------|-----------------|------------|---------------------|
| | 1 | | 1 | Chassis System |
| | 2 | | 1 | Control System |
| | 3 | | 1 | Dust Control System |
| | 4 | | 1 | Ecoflex™ Assembly |
| | 5 | | 1 | Electrical System |
| | 6 | | 1 | Engine Systems |
| | 7 | | 1 | Hopper System |
| | 8 | | 1 | Hydraulic System |
| | 9 | | 1 | Main Broom System |
| | 10 | | 1 | Recovery System |
| | 11 | | 1 | Scrub System |
| | 12 | | 1 | Side Broom System |
| | 13 | | 1 | Solution System |
| | 14 | | 1 | Squeegee System |
| | 15 | | 1 | Wheel System |

TABLE OF CONTENTS

| DESCRIPTION | PAGE |
|--|---------|
| Chassis System-GASOLINE-PETROL-LPG & DIESEL | 6-7 |
| Chassis System-BATTERY | 8-9 |
| Chassis System-FUEL CELL..... | 10-11 |
| Chassis System-Front Engine Cover Assembly | 12-13 |
| Chassis System-Fuel Cell Front Cover Assembly | 14-15 |
| Chassis System-Engine Cover Assembly | 16-17 |
| Chassis System-Fuel Cell Engine Cover Assembly | 18-19 |
| Chassis System-Right Door Assembly..... | 20-21 |
| Chassis System-Left Cover Assembly..... | 22-23 |
| Chassis System-Pull Rod Assembly..... | 24-25 |
| Chassis System-Fuel Cell Pull Rod Assembly | 26-27 |
| Control System | 28-29 |
| Control System-Steering Assembly..... | 30-31 |
| Decal System | 32-33 |
| Dust Control System | 34-35 |
| EcoFlex™ Assembly | 36-37 |
| Electrical System..... | 38-39 |
| Electrical System-Circuit Breaker Panel Assembly | 40 |
| Electrical System-Contactor Panel Assembly..... | 41 |
| Engine System-Gasoline-Petrol | 42-43 |
| Engine Assembly-Gasoline-Petrol | 44-45 |
| Engine Sub Assembly-Gasoline-Petrol | 46-47 |
| Gasoline-Petrol Tank Assembly..... | 48-49 |
| Engine System-LPG LEV | 50-51 |
| Power Unit-LPG LEV..... | 52-53 |
| Engine Assembly-LPG LEV..... | 54-55 |
| Engine Base-Replacement Parts-LPG LEV | 56-57 |
| LPG Tank Assembly | 58-59 |
| Engine System-DIESEL | 60-61 |
| Engine Assembly-DIESEL – Before January 2019..... | 62-63 |
| Engine Assembly-DIESEL – After December 2018..... | 64-65 |
| Engine Sub Assembly-DIESEL – Before January 2019 | 66-67 |
| Engine Sub Assembly-DIESEL – After December 2018..... | 68-69 |
| Diesel Fuel Tank Assembly..... | 70-71 |
| Hopper System-1 | 72-73 |
| Hopper System-2 | 74-75 |
| Hydraulic System | |
| Hydraulic System – Connector Identifier | 76 |
| Hydraulic System – Hose Descriptor..... | 77 |
| Hydraulic System – 37° Flare Equipped Machines..... | 78-79 |
| Hydraulic System – ORFS Equipped Machines..... | 80-81 |
| Main Broom System..... | 82-83 |
| Recovery System | 84-85 |
| Scrubbing System-1 | 86-87 |
| Scrubbing System-2..... | 88-89 |
| Scrub System-Right Skirt Assembly..... | 90-91 |
| Scrub System-Left Skirt Assembly | 92-93 |
| Side Broom System..... | 94-95 |
| Right Side Broom Arm Assembly | 96-97 |
| Left Side Broom Arm Assembly | 98-99 |
| Solution System-1 | 100-101 |
| Solution System-2 | 102-103 |
| Squeegee System | 104-105 |
| Squeegee Assembly..... | 106-107 |
| Wheel System | 108-109 |
| Wheel System-Brake Linkage Assembly..... | 110-111 |
| Ladder Diagrams..... | 112-129 |
| Optional Kits & Accessories | 130-131 |
| Recommended Spare Parts | 132 |
| Brush Selector Guide | 133 |
| Broom Selector Guide | 134 |
| Squeegee Blade Selector Guide | 135 |

WHEN ORDERING PARTS

- * Use the part numbers from the "Ref. No." columns in this parts list. If the "Ref. No." column is blank; look under the "Kit" column to identify which kit contains the part in question, then use the kit callout, for example "K1", to find the "Ref. No." for that kit.

| Kit | Item | Ref. No. | Qty | Description |
|-----|------|----------|-----|---------------------------------|
| K1 | 1 | | 16 | Washer Flat 3/16 Zinc Plat |
| K1 | 2 | | 2 | Screw-BHS-Brass-10-32x3/8-MS |
| K1 | 3 | | 3 | Washer EPDM 7/32 X 1/8 |
| | 4 | 805 | 1 | Chain-Cover |
| | 5 | 905 | 2 | Caster Swivel 4 Gray Non MA |
| K1 | 6 | | 2 | Nut, Hex Nyl Loc 10-24 |
| K1 | 7 | | 3 | Scr- Hex SS 1/4-20 X .75 |
| K1 | 8 | | 16 | Scr, Hex Hd Loc 1/4-20 x .50 |
| K1 | 9 | | 3 | Wsh, Flt SS .260 X 1.000 X .074 |
| | 10 | 56113012 | 1 | Solution Tank |
| | 11 | 56113034 | 2 | Hinge Plate |
| K1 | | 56113103 | 1 | Kit-Hardware Solution Tank |

- * Specify the model and serial number of the machine.
- * Use the space below to record the model and serial number for future reference.

Model _____ Serial No. _____

HYDRAULIC SYSTEM - CONNECTOR TYPE BY SERIAL NUMBER

Use your machine's serial number and the charts below and on the next page to determine which style hydraulics your machine has. See the Hydraulic System pages in this parts list that cover all the JIC 37° flare hydraulic Systems and ORFS Hydraulic Systems.

| Item Num | Description | Serial Number | Connector Type |
|----------|---------------------------|---------------|----------------|
| 56511815 | CS7010 1200D HYBRID | 1000066378 | JIC 37° flare |
| 56511818 | CS7010 1200 PETROL HYBRID | 1000066381 | ORFS |
| 56511818 | CS7010 1200 PETROL HYBRID | 1000066382 | ORFS |
| 56511773 | CS7010 48LP ECOFLEX DG | 1000066385 | JIC 37° flare |
| 56511815 | CS7010 1200D HYBRID | 1000066386 | JIC 37° flare |
| 56511815 | CS7010 1200D HYBRID | 1000066387 | JIC 37° flare |
| 56511815 | CS7010 1200D HYBRID | 1000066388 | JIC 37° flare |
| 56511777 | CS7010 48D ECOFLEX DG | 1000066389 | JIC 37° flare |
| 56511777 | CS7010 48D ECOFLEX DG | 1000066390 | JIC 37° flare |
| 56511782 | CS7010 48G ECOFLEX DG | 1000066391 | JIC 37° flare |
| 56511771 | CS7010 48LP DG | 1000066393 | JIC 37° flare |
| 56511773 | CS7010 48LP ECOFLEX DG | 1000066401 | JIC 37° flare |
| 56511821 | CS7010 1200LPG HYBRID | 1000066402 | JIC 37° flare |
| 56511773 | CS7010 48LP ECOFLEX DG | 1000066414 | JIC 37° flare |
| 56511773 | CS7010 48LP ECOFLEX DG | 1000066415 | JIC 37° flare |
| 56511773 | CS7010 48LP ECOFLEX DG | 1000066417 | JIC 37° flare |
| 56511773 | CS7010 48LP ECOFLEX DG | 1000066418 | JIC 37° flare |
| 56511773 | CS7010 48LP ECOFLEX DG | 1000066421 | JIC 37° flare |
| 56511773 | CS7010 48LP ECOFLEX DG | 1000066423 | JIC 37° flare |
| 56511773 | CS7010 48LP ECOFLEX DG | 1000066433 | JIC 37° flare |
| 56511770 | CS7010 48LP | 1000066435 | JIC 37° flare |
| 56511773 | CS7010 48LP ECOFLEX DG | 1000066464 | JIC 37° flare |
| 56511773 | CS7010 48LP ECOFLEX DG | 1000066465 | JIC 37° flare |
| 56511816 | CS7010 1200B | 1000066467 | JIC 37° flare |
| 56511816 | CS7010 1200B | 1000066516 | JIC 37° flare |
| 56511815 | CS7010 1200D HYBRID | 1000066519 | JIC 37° flare |
| 56511815 | CS7010 1200D HYBRID | 1000066520 | JIC 37° flare |
| 56511815 | CS7010 1200D HYBRID | 1000066521 | JIC 37° flare |
| 56511816 | CS7010 1200B | 1000066522 | JIC 37° flare |
| 56511816 | CS7010 1200B | 1000066523 | JIC 37° flare |
| 56511816 | CS7010 1200B | 1000066524 | JIC 37° flare |
| 56511816 | CS7010 1200B | 1000066525 | JIC 37° flare |
| 56511816 | CS7010 1200B | 1000066526 | JIC 37° flare |
| 56511816 | CS7010 1200B | 1000066527 | JIC 37° flare |
| 56511821 | CS7010 1200LPG HYBRID | 1000066528 | ORFS |
| 56511772 | CS7010 48LP ECOFLEX | 1000066535 | JIC 37° flare |
| 56511816 | CS7010 1200B | 1000066543 | JIC 37° flare |
| 56511816 | CS7010 1200B | 1000066544 | JIC 37° flare |
| 56511815 | CS7010 1200D HYBRID | 1000066547 | ORFS |
| 56511816 | CS7010 1200B | 1000066548 | JIC 37° flare |
| 56511816 | CS7010 1200B | 1000066549 | ORFS |
| 56511815 | CS7010 1200D HYBRID | 1000066550 | JIC 37° flare |
| 56511815 | CS7010 1200D HYBRID | 1000066551 | JIC 37° flare |
| 56511816 | CS7010 1200B | 1000066557 | ORFS |
| 56511816 | CS7010 1200B | 1000066558 | ORFS |
| 56511770 | CS7010 48LP | 1000066562 | JIC 37° flare |
| 56511929 | CS7010 FUEL CELL CUSTOM 1 | 1000066568 | ORFS |
| 56511929 | CS7010 FUEL CELL CUSTOM 1 | 1000066569 | ORFS |
| 56511815 | CS7010 1200D HYBRID | 1000066587 | ORFS |
| 56511815 | CS7010 1200D HYBRID | 1000066588 | ORFS |
| 56511816 | CS7010 1200B | 1000066593 | ORFS |
| 56511816 | CS7010 1200B | 1000066594 | ORFS |
| 56511816 | CS7010 1200B | 1000066595 | ORFS |

JIC 37° Flare Connector Type



All machines built
before Serial Number
1000066378
use JIC 37° flare
connector type

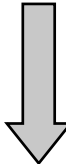
continued on next
page

HYDRAULIC SYSTEM - CONNECTOR TYPE BY SERIAL NUMBER - CONTINUED

| Item Num | Description | Serial Number | Connector Type |
|----------|--------------------------------|---------------|----------------|
| 56511816 | CS7010 1200B | 1000066596 | ORFS |
| 56511816 | CS7010 1200B | 1000066597 | ORFS |
| 56511816 | CS7010 1200B | 1000066598 | ORFS |
| 56511772 | CS7010 48LP ECOFLEX | 1000066608 | JIC 37° flare |
| 56511772 | CS7010 48LP ECOFLEX | 1000066609 | JIC 37° flare |
| 56511773 | CS7010 48LP ECOFLEX DG | 1000066612 | JIC 37° flare |
| 56511798 | CS7010 48 FUEL CELL ECOFLEX DG | 1000066613 | ORFS |
| 56511777 | CS7010 48D ECOFLEX DG | 1000066614 | ORFS |
| 56511770 | CS7010 48LP | 1000066615 | ORFS |
| 56511770 | CS7010 48LP | 1000066617 | ORFS |
| 56511816 | CS7010 1200B | 1000066631 | ORFS |
| 56511815 | CS7010 1200D HYBRID | 1000066632 | ORFS |
| 56511815 | CS7010 1200D HYBRID | 1000066633 | ORFS |
| 56511816 | CS7010 1200B | 1000066634 | ORFS |
| 56511816 | CS7010 1200B | 1000066635 | ORFS |
| 56511816 | CS7010 1200B | 1000066636 | ORFS |
| 56511816 | CS7010 1200B | 1000066637 | ORFS |
| 56511821 | CS7010 1200LPG HYBRID | 1000066638 | ORFS |
| 56511821 | CS7010 1200LPG HYBRID | 1000066639 | ORFS |
| 56511773 | CS7010 48LP ECOFLEX DG | 1000066640 | ORFS |
| 56511816 | CS7010 1200B | 1000066641 | ORFS |
| 56511816 | CS7010 1200B | 1000066642 | ORFS |
| 56511773 | CS7010 48LP ECOFLEX DG | 1000066644 | ORFS |
| 56511794 | CS7010 48B W770 480VAC ECO DG | 1000066645 | ORFS |
| 56511816 | CS7010 1200B | 1000066646 | ORFS |
| 56511821 | CS7010 1200LPG HYBRID | 1000066647 | ORFS |
| 56511777 | CS7010 48D ECOFLEX DG | 1000066649 | JIC 37° flare |
| 56511773 | CS7010 48LP ECOFLEX DG | 1000066650 | ORFS |
| 56511777 | CS7010 48D ECOFLEX DG | 1000066652 | JIC 37° flare |
| 56511771 | CS7010 48LP DG | 1000066653 | ORFS |
| 56511777 | CS7010 48D ECOFLEX DG | 1000066654 | ORFS |
| 56511773 | CS7010 48LP ECOFLEX DG | 1000066659 | ORFS |
| 56511773 | CS7010 48LP ECOFLEX DG | 1000066660 | ORFS |
| 56511773 | CS7010 48LP ECOFLEX DG | 1000066661 | ORFS |
| 56511773 | CS7010 48LP ECOFLEX DG | 1000066662 | ORFS |
| 56511799 | CS7010 48B W770 240-1PH | 1000066665 | ORFS |
| 56511799 | CS7010 48B W770 240-1PH | 1000066667 | ORFS |
| 56511799 | CS7010 48B W770 240-1PH | 1000066669 | ORFS |
| 56511816 | CS7010 1200B | 1000066707 | ORFS |
| 56511821 | CS7010 1200LPG HYBRID | 1000066708 | ORFS |
| 56511816 | CS7010 1200B | 1000066709 | ORFS |
| 56511770 | CS7010 48LP | 1000066711 | ORFS |
| 56511775 | CS7010 48D DG | 1000066712 | ORFS |
| 56511771 | CS7010 48LP DG | 1000066738 | ORFS |
| 56511772 | CS7010 48LP ECOFLEX | 1000066739 | ORFS |
| 56511816 | CS7010 1200B | 1000066741 | ORFS |
| 56511816 | CS7010 1200B | 1000066742 | ORFS |
| 56511816 | CS7010 1200B | 1000066743 | ORFS |
| 56511816 | CS7010 1200B | 1000066744 | ORFS |
| 56511821 | CS7010 1200LPG HYBRID | 1000066745 | ORFS |
| 56511930 | CS7010 48B CUSTOM 1 | 1000066749 | JIC 37° flare |
| 56511816 | CS7010 1200B | 1000066750 | ORFS |

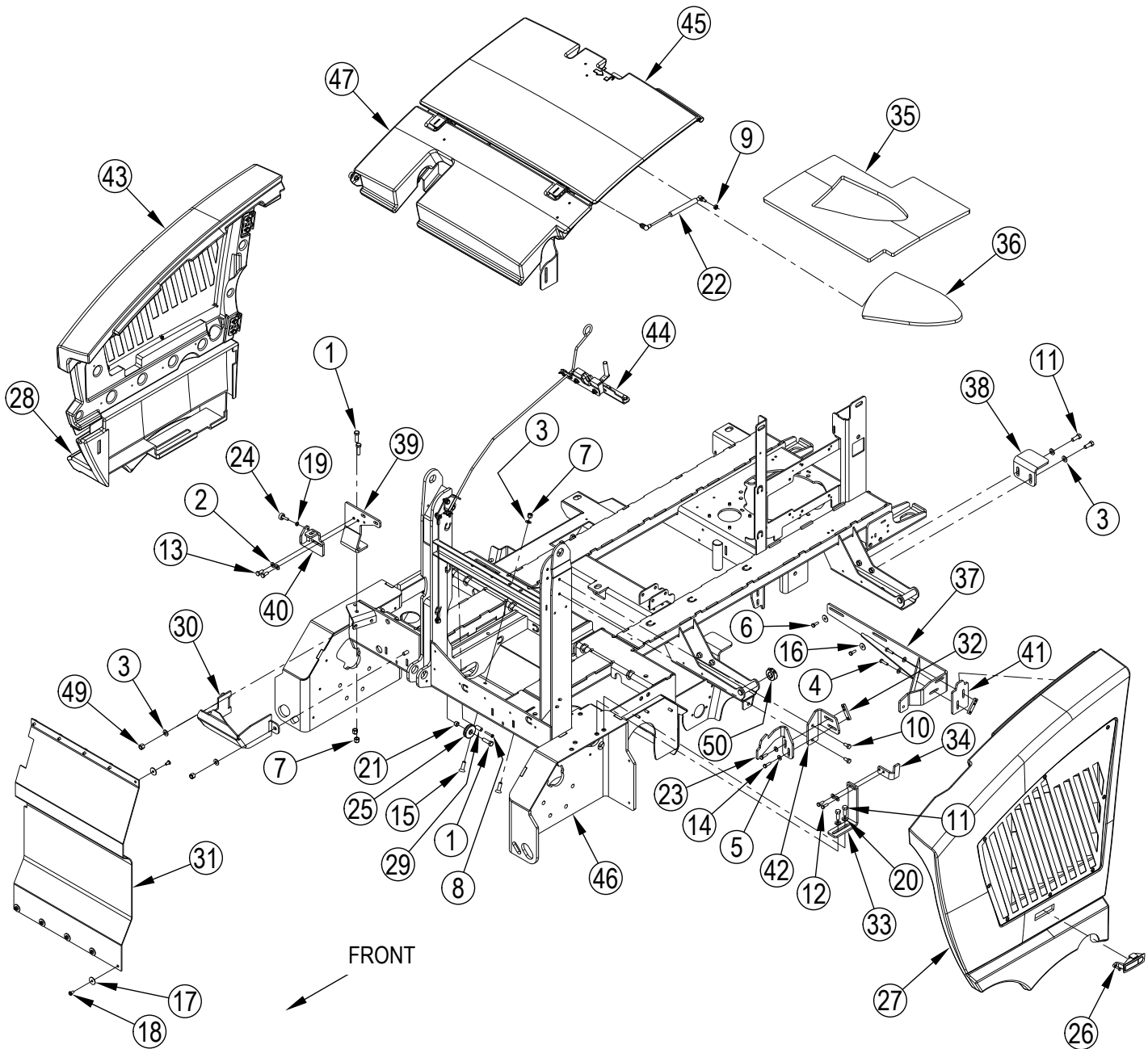
continued from previous page

All machines built after Serial Number 1000066750 use ORFS connector type



ORFS Connector Type

CHASSIS SYSTEM-GASOLINE-PETROL-LPG & DIESEL



CHASSIS SYSTEM-GASOLINE-PETROL-LPG & DIESEL

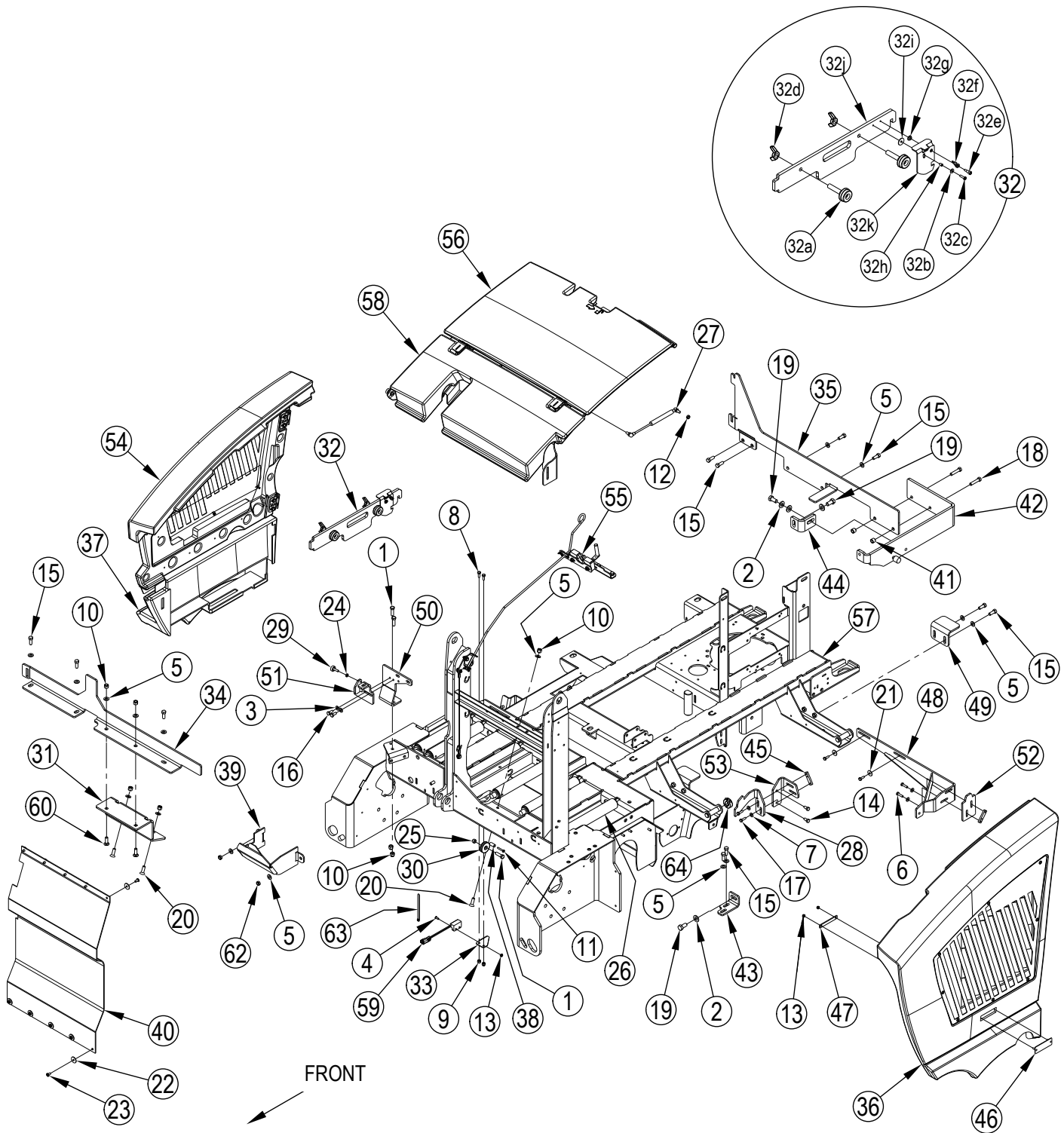
| Kit | Item | Ref. No. | Qty | Description |
|-------|------|----------|-----|-------------------------------------|
| K2 | 1 | | 3 | Scr-Hex 3/8-16 X 1.25 |
| K2,K3 | 2 | | 2 | Wsh, Flt Sae 5/16 |
| K2 | 3 | | 8 | Wsh, Flt Sae 3/8 |
| K2 | 4 | | 2 | Scr-Hex 1/4-20 X 1.00 |
| K2 | 5 | | 6 | Wsh, Flt Sae 1/4 |
| K2 | 6 | | 2 | Scr-Hex 1/4-20 X .75 |
| K2 | 7 | | 6 | Nut-Hex Nyl Loc 3/8-16 |
| K2 | 8 | | 1 | Scr-Pan Phil 10-24 X 1.25 |
| K2 | 9 | | 2 | Nut, Hex Nyl Loc-Thin 5/16-18 |
| K2 | 10 | | 2 | Scr-Hex Hd Loc 5/16-18x.62 |
| K2 | 11 | | 6 | Scr-Hex Hd Loc 3/8-16x1.00 |
| K2 | 12 | | 2 | Scr-Hex Hd Loc 1/4-20x.75 |
| K2,K3 | 13 | | 2 | Scr-Hex Hd Loc 5/16-18x.75 |
| K2 | 14 | | 2 | Scr-Hex Hd Loc 1/4-20x.88 |
| K2 | 15 | | 2 | Scr-Flt Soc Ss 3/8-16 X 1.25 |
| K2 | 16 | | 2 | Wsh, Flt .266 X .906 X .060 |
| K1,K2 | 17 | | 10 | Wsh-Flt Ss .260 X 1.000 X .074 |
| K1,K2 | 18 | | 10 | Scr, Pan Phil Thd Form 1/4-20 X .50 |
| K2,K3 | 19 | | 1 | Nut, Hex Jam 1/4-20 |
| K2 | 20 | | 2 | Wsh-Flt .406x.750x.090 |
| | 21 | 56232181 | 1 | Bushing |
| | 22 | 56314206 | 1 | Gas Spring |
| | 23 | 56382941 | 1 | Hanger-Side Panel |
| K3 | 24 | | 1 | Leg Leveler 1/4-20 |
| | 25 | 56416546 | 1 | Shielded Pulley |
| | 26 | 56418471 | 1 | Door Latch |

| Kit | Item | Ref. No. | Qty | Description |
|-----|------|----------|-----|--|
| | 27 | 56509851 | 1 | Left Cover Assy |
| | 28 | 56509881 | 1 | Lower Cover Right |
| | 29 | 56509982 | 1 | Bushing-.200 X .375 X .88 |
| | 30 | 56510125 | 1 | Guard-Reservoir |
| K1 | 31 | | 1 | Shield-Dust |
| | 32 | 56510587 | 2 | Nut Plate |
| | 33 | 56510717 | 1 | Bracket |
| | 34 | 56510723 | 1 | Strike-Latch |
| | 35 | 56510749 | 1 | Foam Insulation |
| | 36 | 56510750 | 1 | Foam Insulation |
| | 37 | 56511124 | 1 | Cover Hanger Weldt |
| | 38 | 56511149 | 2 | Bracket Tank Stop |
| | 39 | 56511153 | 1 | Support-Panel |
| K3 | 40 | | 1 | Bracket |
| | 41 | 56511168 | 1 | Plate |
| | 42 | 56511172 | 1 | Bracket |
| | 43 | 56511182 | 1 | Right Door Assy |
| | 44 | 56511183 | 1 | Pull Rod Assy |
| | 45 | 56511184 | 1 | Engine Cover Assy |
| | 46 | | 1 | Chassis Weldment (not available for sale) |
| | 47 | 56511740 | 1 | Front Engine Cover Assy |
| K2 | 49 | | 2 | Nut Hex Nyl Loc-Thin 3/8-16 |
| K4 | 50 | | 1 | Collar-Clamp-2 Piece |

Service Kits

| | | | |
|----|----------|---|--------------------------|
| K1 | 56510735 | 1 | Dust Shield Kit-Hopper |
| K2 | 56511888 | 1 | Hardware Kit-Chassis Sys |
| K3 | 56509013 | 1 | Right Door Latch Kit |
| K4 | 56394069 | 1 | Clamp Collar Kit-2 Piece |

CHASSIS SYSTEM-BATTERY



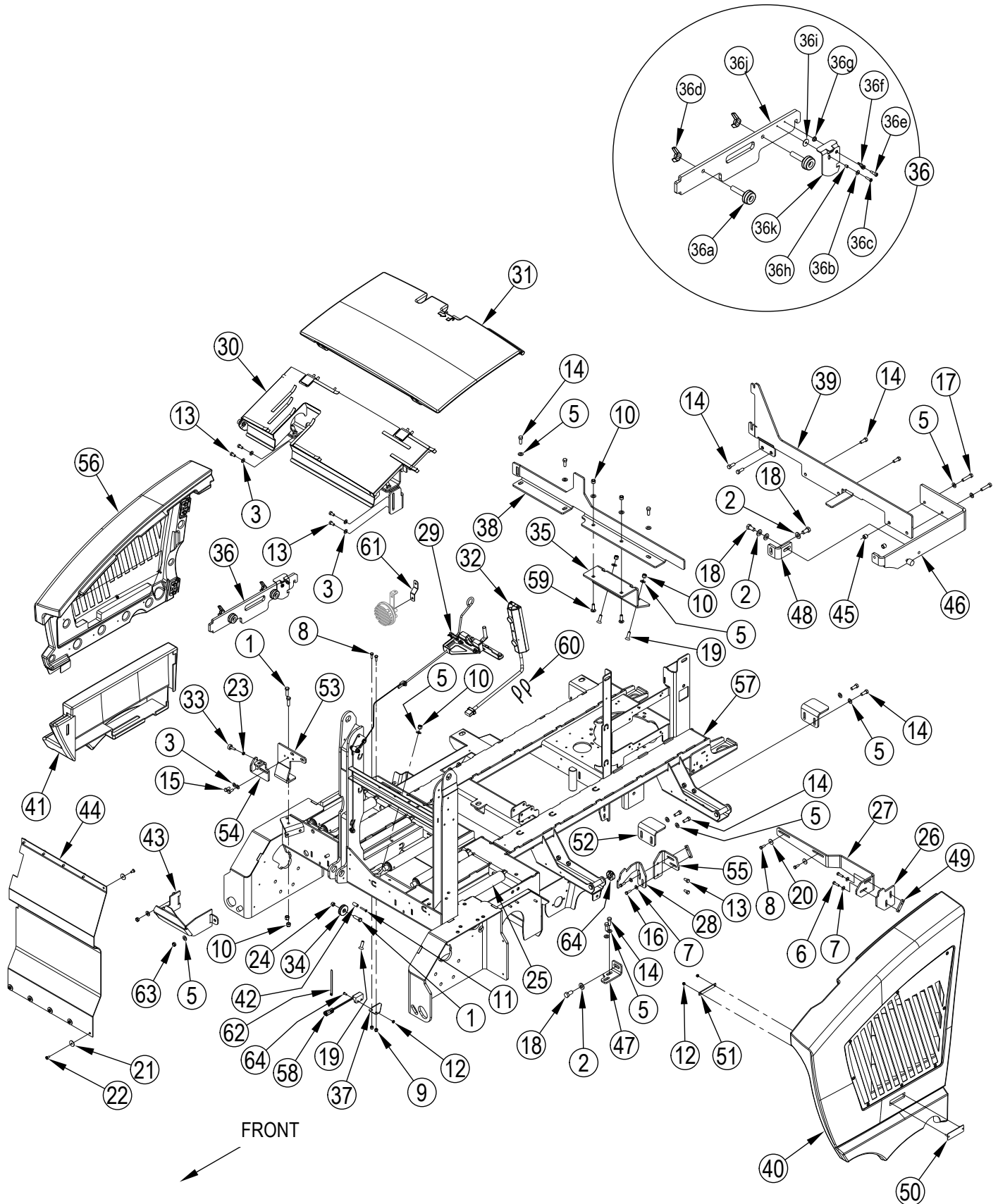
CHASSIS SYSTEM-BATTERY

| Kit | Item | Ref. No. | Qty | Description | Kit | Item | Ref. No. | Qty | Description |
|-------|------|----------|-----|-------------------------------------|-----|------|------------|-----|--|
| K2 | 1 | | 3 | Scr-Hex 3/8-16 X 1.25 | K4 | 34 | | 1 | Battery Guide-Front |
| K2,K4 | 2 | | 4 | Wsh-Flt Sae 1/2 | K4 | 35 | | 1 | Battery Guide Weldt |
| K2,K3 | 3 | | 2 | Wsh, Flt Sae 5/16 | | 36 | 56509851 | 1 | Left Cover Assy |
| K2 | 4 | | 1 | Scr-Pan Phil 10-24 X .50 | | 37 | 56509881 | 1 | Lower Cover Right |
| K2,K4 | 5 | | 18 | Wsh, Flt Sae 3/8 | | 38 | 56509982 | 1 | Bushing-.200 X .375 X .88 |
| K2 | 6 | | 2 | Scr-Hex 1/4-20 X 1.00 | | 39 | 56510125 | 1 | Guard-Reservoir |
| K2 | 7 | | 4 | Wsh, Flt Sae 1/4 | K1 | 40 | | 1 | Shield-Dust |
| K2 | 8 | | 4 | Scr-Hex 1/4-20 X .75 | K4 | 41 | | 2 | Bushing-.400 X .625 X .50 |
| K2 | 9 | | 2 | Nut, Hex Nyl Loc 1/4-20 | K4 | 42 | | 1 | Battery Stop Weldt |
| K2,K4 | 10 | | 7 | Nut-Hex Nyl Loc 3/8-16 | | 43 | 56510537 | 1 | Bracket |
| K2 | 11 | | 1 | Scr-Pan Phil 10-24 X 1.25 | K4 | 44 | | 1 | Bracket |
| K2 | 12 | | 2 | Nut, Hex Nyl Loc-Thin 5/16-18 | | 45 | 56510587 | 2 | Nut Plate |
| K2 | 13 | | 3 | Nut, Hex Nyl Loc-Thin 10-24 | | 46 | 56510751 | 1 | Cover Plate Assy |
| K2 | 14 | | 2 | Scr-Hex Hd Loc 5/16-18x.62 | | 47 | 56510752 | 1 | Retainer-Cover Plate |
| K2,K4 | 15 | | 13 | Scr-Hex Hd Loc 3/8-16x1.00 | | 48 | 56511124 | 1 | Cover Hanger Weldt |
| K2,K3 | 16 | | 2 | Scr-Hex Hd Loc 5/16-18x.75 | | 49 | 56511149 | 2 | Bracket Tank Stop |
| K2 | 17 | | 2 | Scr-Hex Hd Loc 1/4-20x.88 | | 50 | 56511153 | 1 | Support-Panel |
| K2,K4 | 18 | | 2 | Scr-Hex Hd Loc 3/8-16x1.75 | K3 | 51 | | 1 | Bracket |
| K2,K4 | 19 | | 3 | Scr-Hex Hd Loc 1/2-13x1.00 | | 52 | 56511168 | 1 | Plate |
| K2,K4 | 20 | | 3 | Scr-Flt Soc Ss 3/8-16 X 1.25 | | 53 | 56511172 | 1 | Bracket |
| K2 | 21 | | 2 | Wsh, Flt .266 X .906 X .060 | | 54 | 56511182 | 1 | Right Door Assy |
| K1,K2 | 22 | | 10 | Wsh-Flt Ss .260 X 1.000 X .074 | | 55 | 56511183 | 1 | Pull Rod Assy |
| K1,K2 | 23 | | 10 | Scr. Pan Phil Thd Form 1/4-20 X .50 | | 56 | 56511184 | 1 | Engine Cover Assy |
| K2 | 24 | | 1 | Nut, Hex Jam 1/4-20 | | 57 | 5 | 1 | Chassis Weldment (not available for sale) |
| | 25 | 56232181 | 1 | Bushing | | 58 | 56511740 | 1 | Front Engine Cover Assy |
| | 26 | 56303228 | 6 | Roller Asm | | 59 | 56511830 | 1 | Sensor-Proximity SW4 |
| | 27 | 56314206 | 1 | Gas Spring | K4 | 60 | | 2 | 3/8-16 X 1.0", Carriage Bolt |
| | 28 | 56382941 | 1 | Hanger-Side Panel | K2 | 62 | | 2 | Nut Hex Nyl Loc-Thin 3/8-16 |
| K3 | 29 | | 1 | Leg Leveler 1/4-20 | | 63 | 2-00-04345 | 1 | 15.35 In Cable Tie Blk Nylon |
| | 30 | 56416546 | 1 | Shielded Pulley | K5 | 64 | | 1 | Collar-Clamp-2 Piece |
| K4 | 31 | | 1 | Bracket - Rollers | | | | | |
| | 32 | 56509755 | 1 | Plate Asm-Battery Stop | | | | | |
| | 32a | 56449221 | 2 | Bumper, 1.43 Dia | | | | | |
| | 32b | 56001954 | 1 | Wsh, Flt SAE #10 | | | | | |
| | 32c | 56002192 | 1 | Scr-Pan Phil 10-24 X .75 | | | | | |
| | 32d | 56003289 | 2 | Nut, Wing 1/2-13 | | | | | |
| | 32e | 56003537 | 1 | Scr-Soc Shd .25 X .38 X 10-24 | | | | | |
| | 32f | 56245060 | 1 | Spring, Torsion .38 X 2 | | | | | |
| | 32g | 56303284 | 1 | Bearing, Fl .375x.250x.188 | | | | | |
| | 32h | 56369004 | 1 | Bushing | | | | | |
| | 32i | 56413875 | 1 | Washer, Teflon, .21 X .88 X .045 | | | | | |
| | 32j | 56509756 | 1 | Plate - Battery Stop | | | | | |
| | 32k | 56509757 | 1 | Latch - Battery Stop | | | | | |
| | 33 | 56509758 | 1 | Bracket - Switch Mount | | | | | |

Service Kits

| | | | |
|----|----------|---|--------------------------|
| K1 | 56510735 | 1 | Dust Shield Kit-Hopper |
| K2 | 56511888 | 1 | Hardware Kit-Chassis Sys |
| K3 | 56509013 | 1 | Right Door Latch Kit |
| K4 | 56510838 | 1 | Battery Guide Kit |
| K5 | 56394069 | 1 | Clamp Collar Kit-2 Piece |

CHASSIS SYSTEM-FUEL CELL



CHASSIS SYSTEM-FUEL CELL

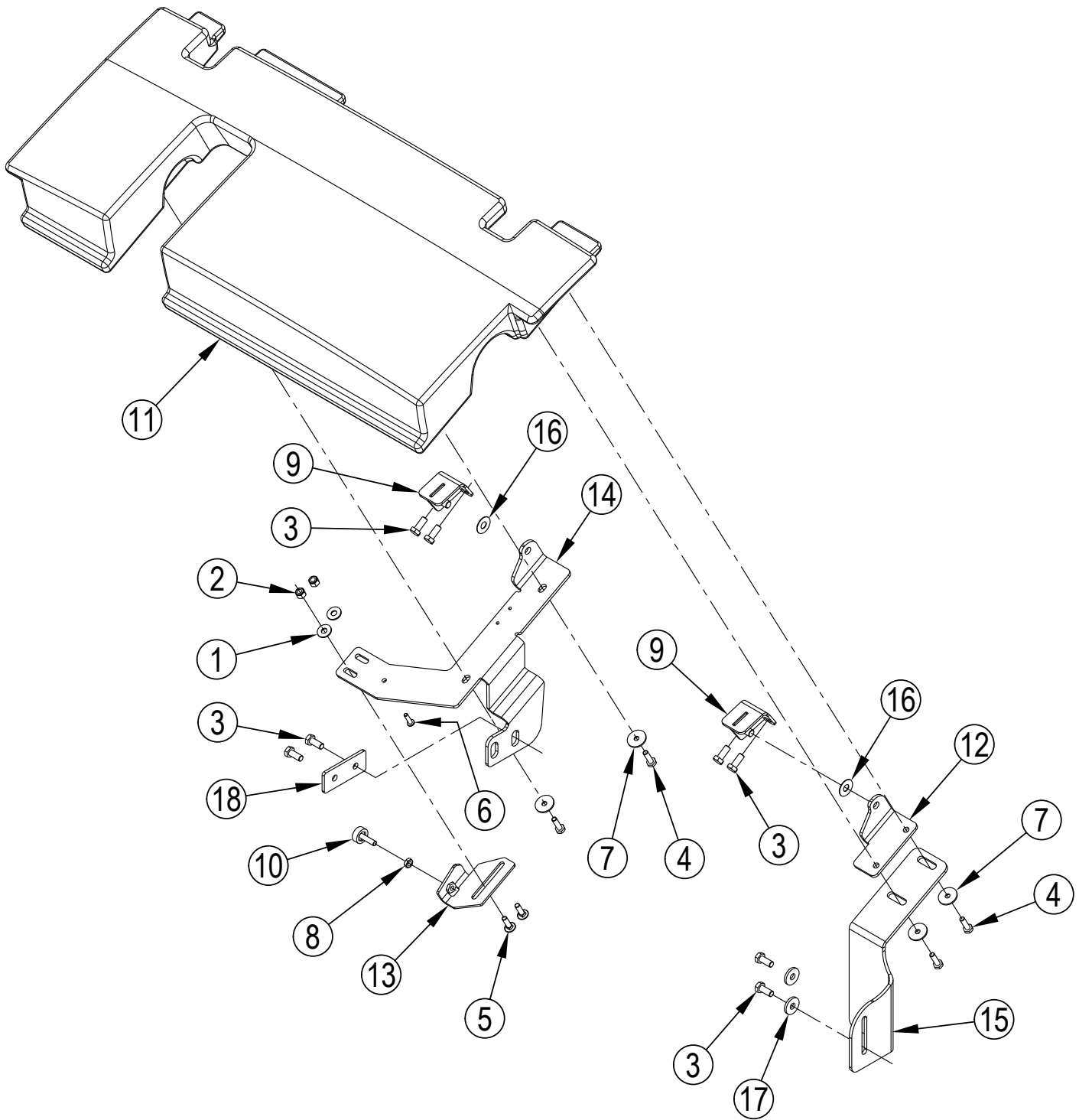
| Kit | Item | Ref. No. | Qty | Description |
|-------|------|----------|-----|-------------------------------------|
| K2 | 1 | | 3 | Scr-Hex 3/8-16 X 1.25 |
| K2,K4 | 2 | | 4 | Wsh-Flt Sae 1/2 |
| K2,K3 | 3 | | 6 | Wsh, Flt Sae 5/16 |
| K2 | 4 | | 1 | Scr-Pan Phil 10-24 X .50 |
| K2,K4 | 5 | | 18 | Wsh, Flt Sae 3/8 |
| K2 | 6 | | 2 | Scr-Hex 1/4-20 X 1.00 |
| K2 | 7 | | 4 | Wsh, Flt Sae 1/4 |
| K2 | 8 | | 4 | Scr-Hex 1/4-20 X .75 |
| K2 | 9 | | 2 | Nut, Hex Nyl Loc 1/4-20 |
| K2,K4 | 10 | | 7 | Nut-Hex Nyl Loc 3/8-16 |
| K2 | 11 | | 1 | Scr-Pan Phil 10-24 X 1.25 |
| K2 | 12 | | 3 | Nut, Hex Nyl Loc-Thin 10-24 |
| K2 | 13 | | 2 | Scr-Hex Hd Loc 5/16-18x.62 |
| K2,K4 | 14 | | 13 | Scr-Hex Hd Loc 3/8-16x1.00 |
| K2,K3 | 15 | | 6 | Scr-Hex Hd Loc 5/16-18x.75 |
| K2 | 16 | | 2 | Scr-Hex Hd Loc 1/4-20x.88 |
| K2,K4 | 17 | | 2 | Scr-Hex Hd Loc 3/8-16x1.75 |
| K2,K4 | 18 | | 3 | Scr-Hex Hd Loc 1/2-13x1.00 |
| K2,K4 | 19 | | 3 | Scr-Flt Soc Ss 3/8-16 X 1.25 |
| K2 | 20 | | 2 | Wsh, Flt .266 X .906 X .060 |
| K1,K2 | 21 | | 10 | Wsh-Flt Ss .260 X 1.000 X .074 |
| K1,K2 | 22 | | 10 | Scr, Pan Phil Thd Form 1/4-20 X .50 |
| K2 | 23 | | 1 | Nut, Hex Jam 1/4-20 |
| | 24 | 56232181 | 1 | Bushing |
| | 25 | 56303228 | 6 | Roller Asm |
| | 26 | 56382937 | 1 | Plate-Mounting |
| | 27 | 56382940 | 1 | Hanger-Cover |
| | 28 | 56382941 | 1 | Hanger-Side Panel |
| | 29 | 56382967 | 1 | Pull Rod Assy-Cs7000 Fc |
| | 30 | 56382970 | 1 | Front Cover Assy-Cs7000 Fc |
| | 31 | 56382971 | 1 | Engine Cover Assy-Cs7000 Fc |
| | 32 | | 1 | Panel-User Interface Fuel Cell |
| | 33 | 56386314 | 1 | Leg Leveler 1/4-20 |
| | 34 | 56416546 | 1 | Shielded Pulley |
| | 35 | 56509538 | 1 | Bracket - Rollers |
| | 36 | 56509755 | 1 | Plate Asm-Battery Stop |
| | 36a | 56449221 | 2 | Bumper, 1.43 Dia |
| | 36b | 56001954 | 1 | Wsh, Flt SAE #10 |
| | 36c | 56002192 | 1 | Scr-Pan Phil 10-24 X .75 |
| | 36d | 56003289 | 2 | Nut, Wing 1/2-13 |
| | 36e | 56003537 | 1 | Scr-Soc Shd .25 X .38 X 10-24 |
| | 36f | 56245060 | 1 | Spring, Torsion .38 X 2 |
| | 36g | 56303284 | 1 | Bearing, Fl .375x.250x.188 |
| | 36h | 56369004 | 1 | Bushing |
| | 36i | 56413875 | 1 | Washer, Teflon, .21 X .88 X .045 |
| | 36j | 56509756 | 1 | Plate - Battery Stop |
| | 36k | 56509757 | 1 | Latch - Battery Stop |

| Kit | Item | Ref. No. | Qty | Description |
|-----|------|------------|-----|---|
| | 37 | 56509758 | 1 | Bracket - Switch Mount |
| K4 | 38 | | 1 | Battery Guide-Front |
| K4 | 39 | | 1 | Battery Guide Weldt |
| | 40 | 56394357 | 1 | Left Cover Assy-Fuel Celll |
| | 41 | 56509881 | 1 | Lower Cover Right |
| | 42 | 56509982 | 1 | Bushing-.200 X .375 X .88 |
| | 43 | 56510125 | 1 | Guard-Reservoir |
| K1 | 44 | | 1 | Shield-Dust |
| K4 | 45 | | 2 | Bushing-.400 X .625 X .50 |
| K4 | 46 | | 1 | Battery Stop Weldt |
| | 47 | 56510537 | 1 | Bracket |
| K4 | 48 | | 1 | Bracket |
| | 49 | 56510587 | 2 | Nut Plate |
| | 50 | 56510751 | 1 | Cover Plate Assy |
| | 51 | 56510752 | 1 | Retainer-Cover Plate |
| | 52 | 56511149 | 2 | Bracket Tank Stop |
| | 53 | 56511153 | 1 | Support-Panel |
| K3 | 54 | | 1 | Bracket |
| | 55 | 56511172 | 1 | Bracket |
| | 56 | 56394356 | 1 | Right Door Assy-Fuel Cell |
| | 57 | | 1 | Chassis Weldment (not available for sale) |
| | 58 | 56511830 | 1 | Sensor-Proximity SW4 |
| K4 | 59 | | 2 | 3/8-16 X 1.0", Carriage Bolt |
| | 60 | | 2 | Ty-Rap Thomas+Betts-Ty-28m |
| | 61 | 56382931 | 1 | Bracket-Horn |
| | 62 | 2-00-04345 | 1 | 15.35 In Cable Tie Blk Nylon |
| K2 | 63 | | 2 | Nut Hex Nyl Loc-Thin 3/8-16 |
| K5 | 64 | | 1 | Collar-Clamp-2 Piece |

Service Kits

| | | | |
|----|----------|---|--------------------------|
| K1 | 56510735 | 1 | Dust Shield Kit-Hopper |
| K2 | 56511888 | 1 | Hardware Kit-Chassis Sys |
| K3 | 56509013 | 1 | Right Door Latch Kit |
| K4 | 56510838 | 1 | Battery Guide Kit |
| K5 | 56394069 | 1 | Clamp Collar Kit-2 Piece |

CHASSIS SYSTEM-FRONT ENGINE COVER ASSEMBLY



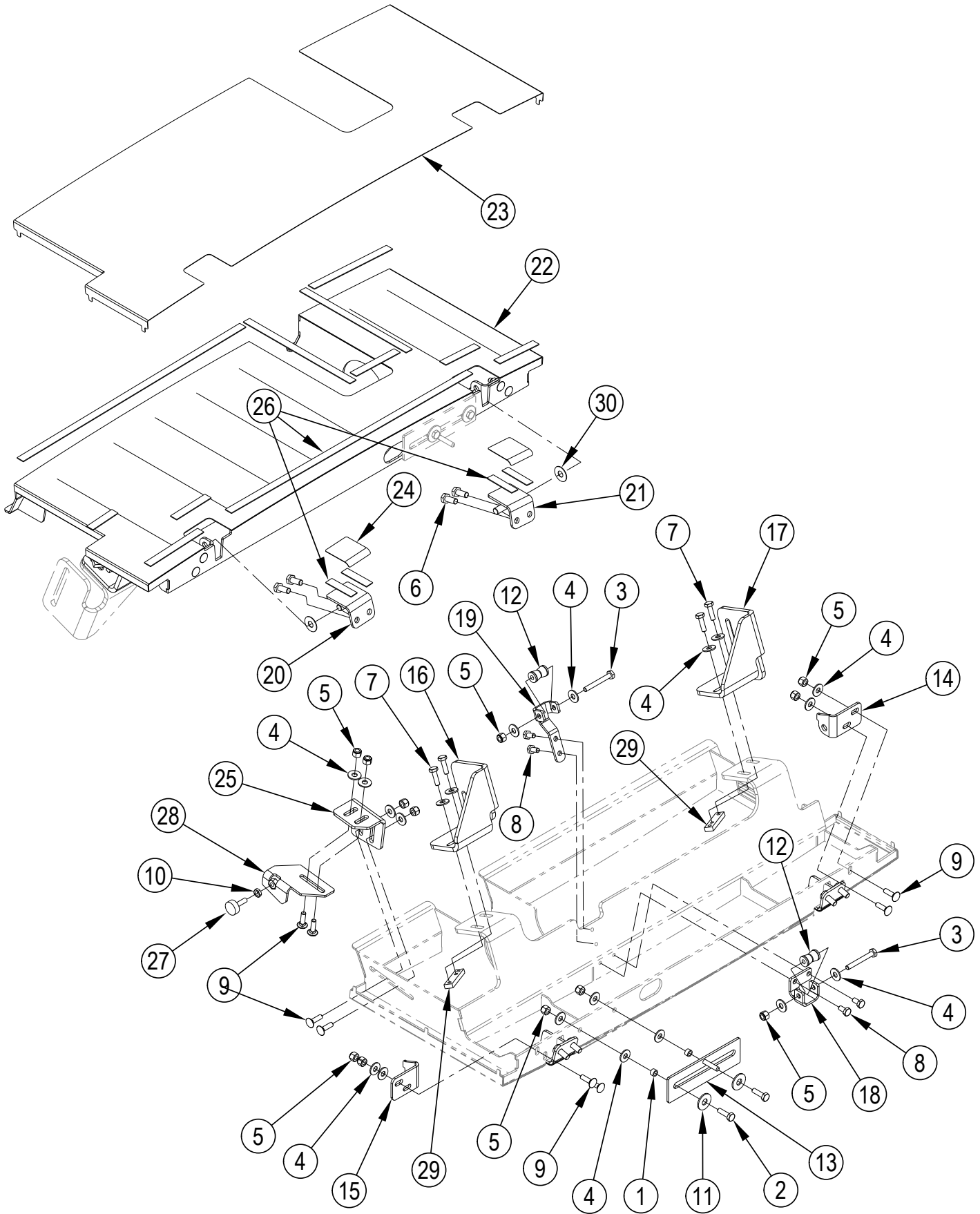
CHASSIS SYSTEM-FRONT ENGINE COVER ASSEMBLY

| Kit | Item | Ref. No. | Qty | Description |
|------------|-------------|-----------------|------------|--------------------------------------|
| | | 56511740 | 1 | Front Engine Cover Assy |
| K1 | 1 | | 2 | Wsh, Flt Std 1/4 |
| K1 | 2 | | 2 | Nut, Hex Nyl Loc 1/4-20 |
| K1 | 3 | | 8 | Scr-Hex Hd Loc 5/16-18x.75 |
| K1 | 4 | | 4 | Scr Hex Loc-1/4-20 X 0.75 |
| K1 | 5 | | 2 | Scr-Carriage 1/4-20 X .88 |
| K1 | 6 | | 1 | Scr, Pan Phil SS Type Ab 10-16 X .75 |
| K1 | 7 | | 4 | Wsh, Flt SS .260 X 1.000 X .074 |
| K1 | 8 | | 1 | Nut, Hex Jam 1/4-20 |
| K1 | 9 | | 2 | Hinge Weldt |
| K1 | 10 | | 1 | Leg Leveler 1/4-20 |
| | 11 | 56509403 | 1 | Cover-Engine Front |
| K1 | 12 | | 1 | Bracket-Engine Cover |
| K1 | 13 | | 1 | Latch Bracket Weldt |
| K1 | 14 | | 1 | Bracket-Support-Cover |
| K1 | 15 | | 1 | Bracket-Support-Cover |
| K1 | 16 | | 2 | Washer 3/8PL.Nylon |
| K1 | 17 | 56009122 | 2 | Wsh Flt .344x.938x.125 |
| K1 | 18 | 56511924 | 1 | Plate-Bracket Retainer |

Service Kits

| | | | |
|----|----------|---|------------------------------|
| K1 | 56383002 | 1 | Front Engine Cover Hinge Kit |
|----|----------|---|------------------------------|

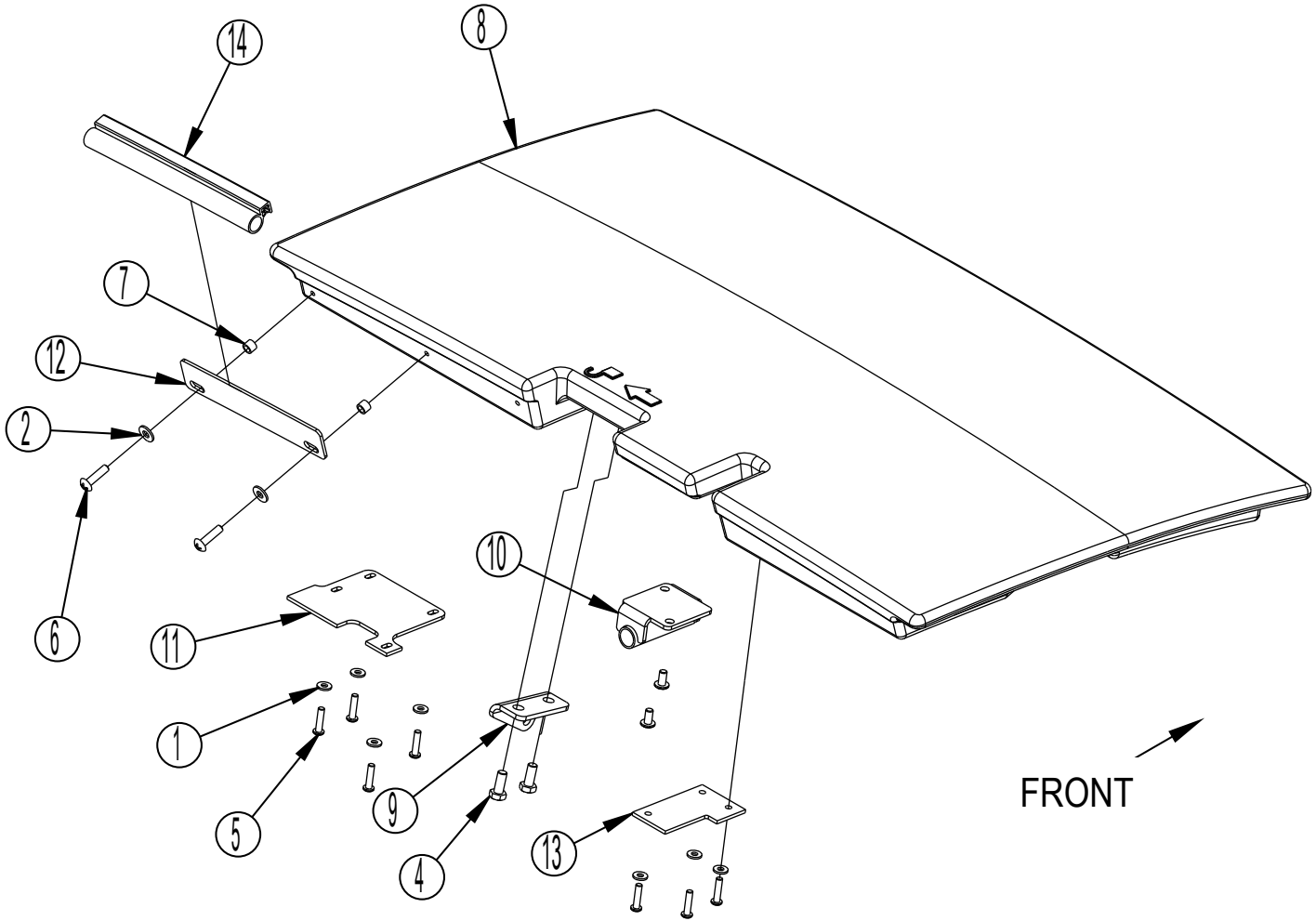
CHASSIS SYSTEM-FUEL CELL FRONT COVER ASSEMBLY



CHASSIS SYSTEM-FUEL CELL FRONT COVER ASSEMBLY

| Kit | Item | Ref. No. | Qty | Description |
|---------------------|-------------|-----------------|------------|------------------------------------|
| K1 | 1 | | 2 | Bushing |
| K1 | 2 | | 2 | Scr-Hex 1/4-20 X .88 |
| | 3 | 56001874 | 2 | Scr-Hex 1/4-20 X 2.00 |
| K1 | 4 | | 20 | Wsh. Flt Std 1/4 |
| K1 | 5 | | 12 | Nut, Hex Nyl Loc 1/4-20 |
| K1 | 6 | | 4 | Scr-Hex Hd Loc 5/16-18x.75 |
| K1 | 7 | | 4 | Scr-Hex Hd Loc 1/4-20x.88 |
| | 8 | 56003039 | 4 | Scr-Hex Hd Loc 1/4-20x.50 |
| K1 | 9 | | 8 | Scr-Carriage 1/4-20 X .88 |
| K1 | 10 | | 1 | Nut, Hex Jam 1/4-20 |
| K1 | 11 | | 2 | Wsh-Flt .392x1.00x.075 |
| | 12 | 56382925 | 2 | Pulley |
| K1 | 13 | | 1 | Bar Lock-Cover Weldt |
| K1 | 14 | | 1 | Bracket-Hinge Lt |
| K1 | 15 | | 1 | Bracket-Hinge Rt |
| K1 | 16 | | 1 | Bracket-Fixed Panel Rt |
| K1 | 17 | | 1 | Bracket-Fixed Panel Lt |
| | 18 | 56382942 | 1 | Bracket-Pulley Upper |
| | 19 | 56382944 | 1 | Bracket-Pulley Lower |
| K1 | 20 | | 1 | Weldt-Hinge Lt |
| K1 | 21 | | 1 | Weldt-Hinge Rt |
| K2 | 22 | | 1 | Weldt-Fixed Panel |
| K2 | 23 | | 1 | Cover-Fixed Panel Stainless |
| K1 | 24 | | 2 | Cover-Hinge Stainless |
| K1 | 25 | | 1 | Bracket-Door Latch |
| K1,K2 | 26 | | 1 | Tape-Heavy Duty Adhesion 97in |
| K1 | 27 | | 1 | Leg Leveler 1/4-20 |
| K1 | 28 | | 1 | Latch Bracket Weldt |
| K1 | 29 | | 2 | Nut Plate |
| K1 | 30 | | 2 | Washer 3/8PL.Nylon |
| Service Kits | | | | |
| K1 | 56383124 | | 1 | Kit-Front Cover Brackets Fuel Cell |
| K2 | 56383125 | | 1 | Kit-Front Cover Fuel Cell |

CHASSIS SYSTEM-ENGINE COVER ASSEMBLY



CHASSIS SYSTEM-ENGINE COVER ASSEMBLY

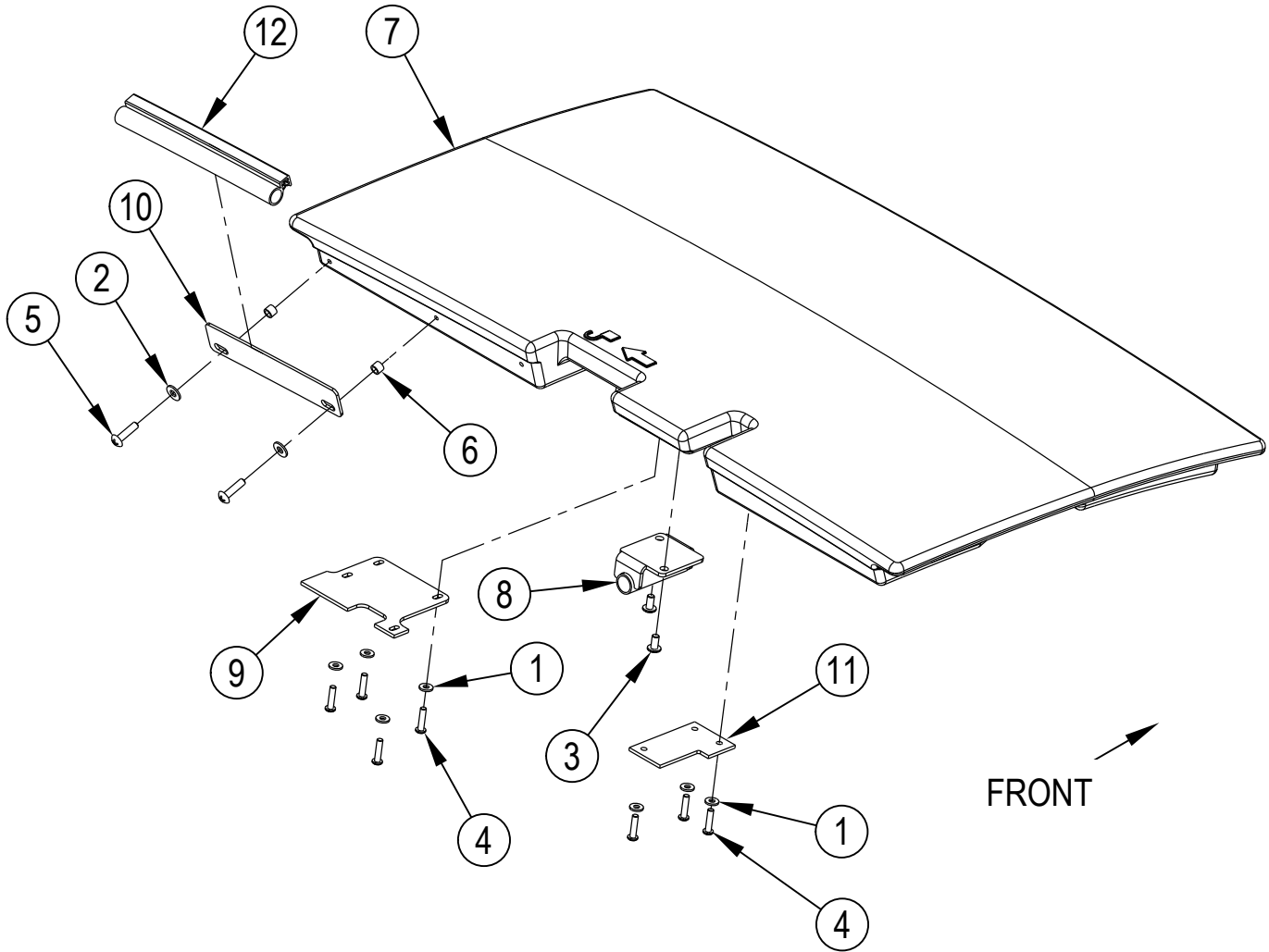
| Kit | Item | Ref. No. | Qty | Description |
|------------|-------------|-----------------|------------|-------------------------------------|
| | | 56511184 | 1 | Engine Cover Assy |
| K1 | 1 | | 7 | Wsh, Flt SAE #10 |
| K1 | 2 | | 2 | Wsh, Flt SAE 1/4 |
| K2 | 3 | | 2 | Scr, Pan Phil Loc 1/4-20 X .62 |
| K2 | 4 | | 2 | Scr, Hex Hd Loc 5/16-18x.75 |
| K1 | 5 | | 7 | Scr, Pan Phil Plastite 10-14 X .88 |
| K1 | 6 | | 2 | Scr, Pan Phil SS Type Ab 10-16x1.00 |
| K1 | 7# | | 2 | Bushing .26 x .50 x .25 |
| | 8 | 56509404 | 1 | Cover-Engine Rear |
| K2 | 9 | | 1 | Bracket-Gas Spring |
| K2 | 10 | | 1 | Latch Strike Weldt |
| K1 | 11 | | 1 | Shield |
| K1 | 12 | | 1 | Plate-Seal |
| K1 | 13 | | 1 | Shield |
| K1 | 14 | | 1 | Gasket-Bulb Seal-6.75 In |

Service Kits

| | | | |
|----|----------|---|-----------------------|
| K1 | 56510840 | 1 | Seal Kit-Engine Cover |
| K2 | 56510841 | 1 | Latch Strike Kit |

= Revised or new since last update

CHASSIS SYSTEM-FUEL CELL ENGINE COVER ASSEMBLY



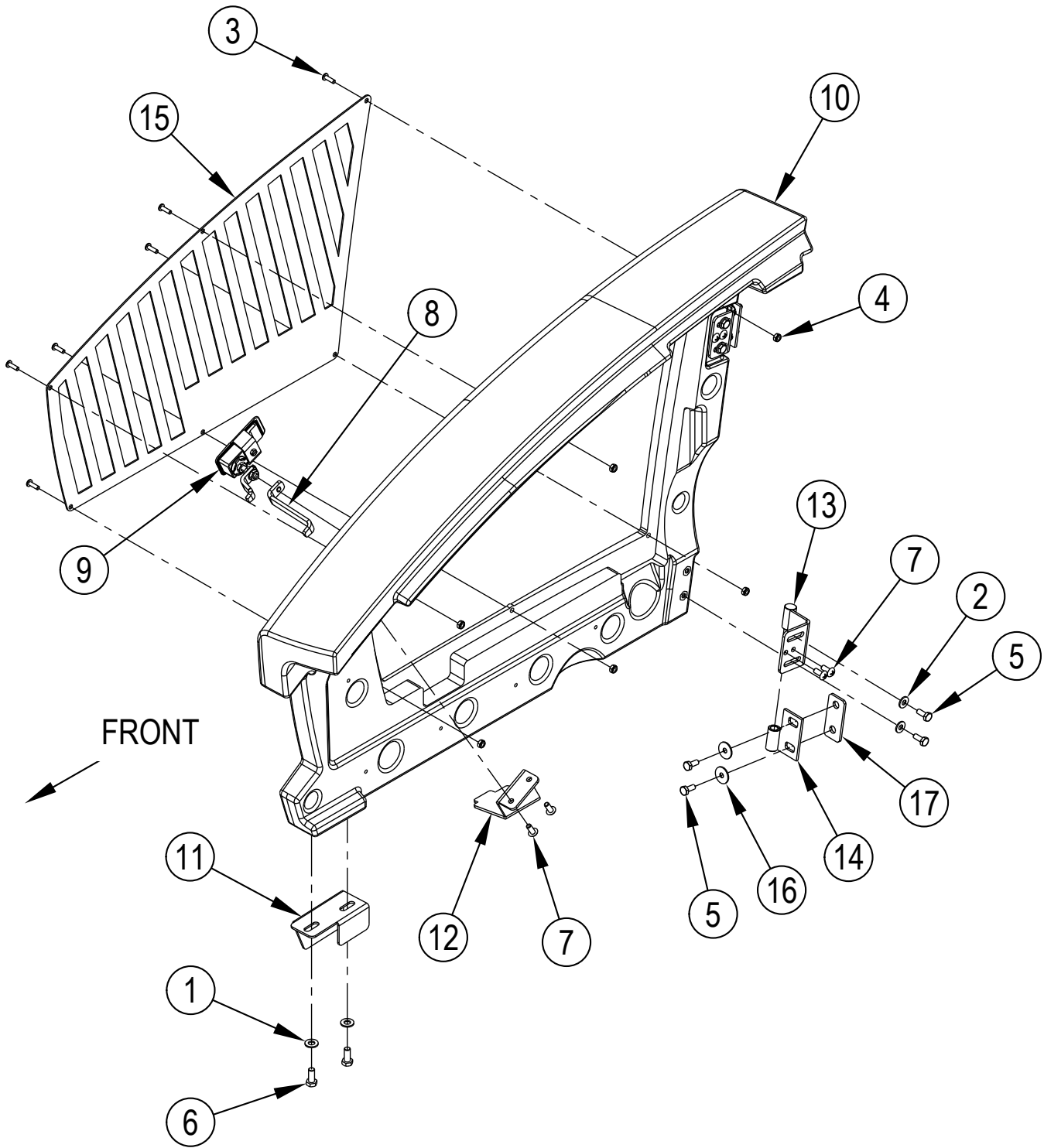
CHASSIS SYSTEM-FUEL CELL ENGINE COVER ASSEMBLY

| Kit | Item | Ref. No. | Qty | Description |
|------------|-------------|-----------------|------------|-------------------------------------|
| | | 56382971 | 1 | Engine Cover Assy-CS7000 FC |
| K1 | 1 | | 7 | Wsh, Flt SAE #10 |
| K1 | 2 | | 2 | Wsh, Flt SAE 1/4 |
| K2 | 3 | | 2 | Scr, Pan Phil Loc 1/4-20 X .62 |
| K1 | 4 | | 7 | Scr, Pan Phil Plastite 10-14 X .88 |
| K1 | 5 | | 2 | Scr, Pan Phil SS Type Ab 10-16x1.00 |
| K1 | 6 | | 2 | Bushing .26x.37x.28 |
| | 7 | 56509404 | 1 | Cover-Engine Rear |
| K2 | 8 | | 1 | Latch Strike Weldt |
| K1 | 9 | | 1 | Shield |
| K1 | 10 | | 1 | Plate-Seal |
| K1 | 11 | | 1 | Shield |
| K1 | 12 | | 1 | Bulb Seal |

Service Kits

| | | | |
|----|----------|---|-----------------------|
| K1 | 56510840 | 1 | Seal Kit-Engine Cover |
| K2 | 56510841 | 1 | Latch Strike Kit |

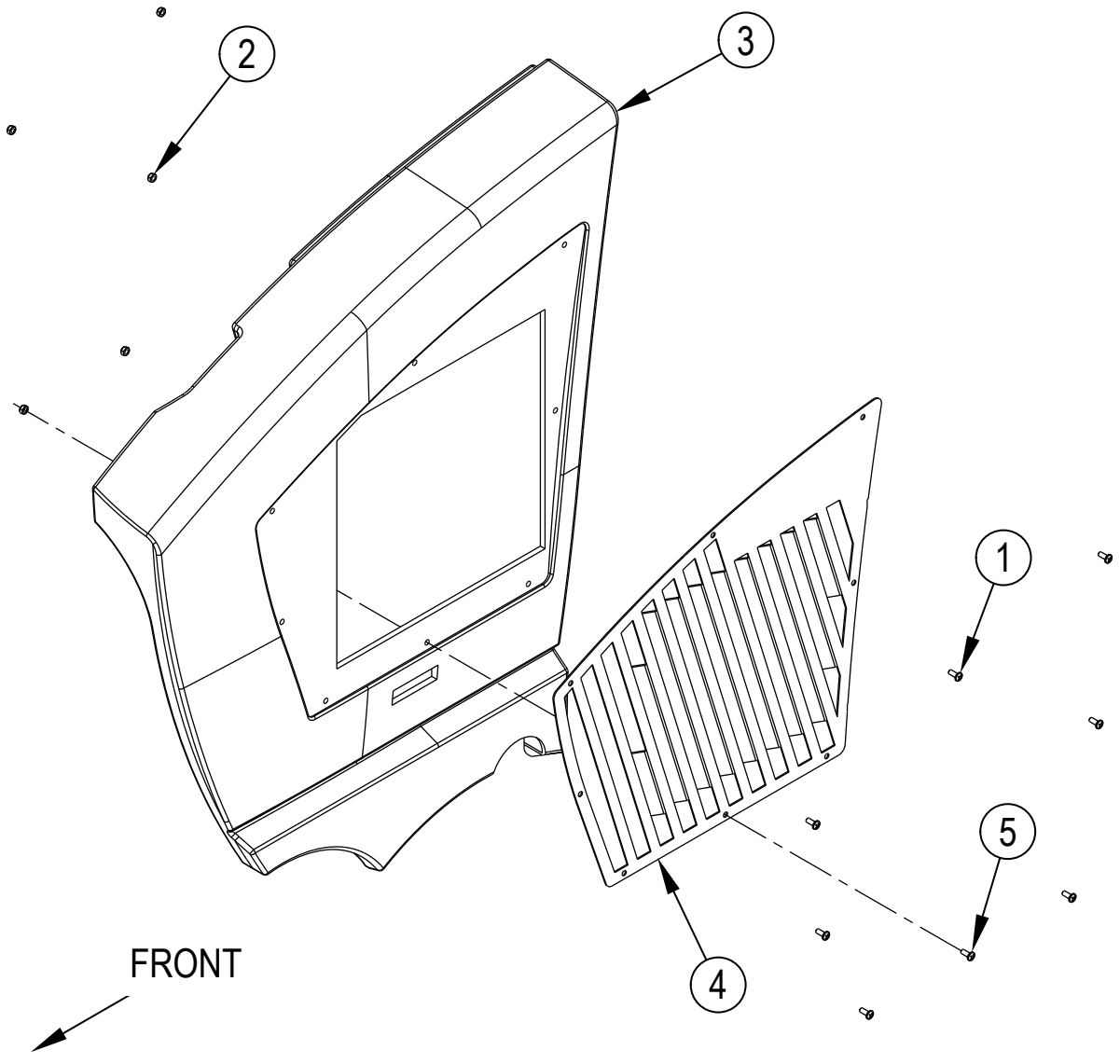
CHASSIS SYSTEM-RIGHT DOOR ASSEMBLY



CHASSIS SYSTEM-RIGHT DOOR ASSEMBLY

| Kit | Item | Ref. No. | Qty | Description |
|---------------------|-------------|-----------------|------------|------------------------------------|
| | | 56511182 | 1 | Right Door Assy |
| | | 56394356 | | Right Door Assy-Fuel Cell |
| K2 | 1 | | 2 | Wsh, Flt SAE 5/16 |
| K1 | 2 | | 4 | Wsh, Flt SAE 1/4 |
| | 3 | 56002896 | 6 | Scr-Pan Phil SS 10-24 X .62 |
| | 4 | 56002849 | 6 | Nut, Hex Nyl Loc-Thin SS 10-24 |
| K1 | 5 | | 8 | Scr-Hex Hd Loc 1/4-20x.62 |
| K2 | 6 | | 2 | Scr-Hex Hd Loc 5/16-18x.62 |
| K1,K2 | 7 | | 6 | Scr Panphil SS Type B 1/4-14 X .62 |
| K2 | 8 | | 1 | Cam-Latch |
| K2 | 9 | | 1 | Latch-Lift & Turn |
| | 10 | 56509010 | 1 | Door-Right |
| | | 56394246 | 1 | Door-Right - Fuel Cell |
| K2 | 11 | | 1 | Bracket-Door |
| K2 | 12 | | 1 | Bracket-Bumper |
| K1 | 13 | | 2 | Upper Hinge Weldment |
| K1 | 14 | | 2 | Lower Hinge Weldt |
| | 15 | 56510632 | 1 | Grille-Right |
| K1 | 16 | | 4 | Washer Flat .266x.906x.060 |
| | 17 | 56385405 | 1 | Shim-Hinge |
| Service Kits | | | | |
| K1 | 56510789 | | 1 | Hinge Kit-Rt Door |
| K2 | 56509013 | | 1 | Right Door Latch Kit |

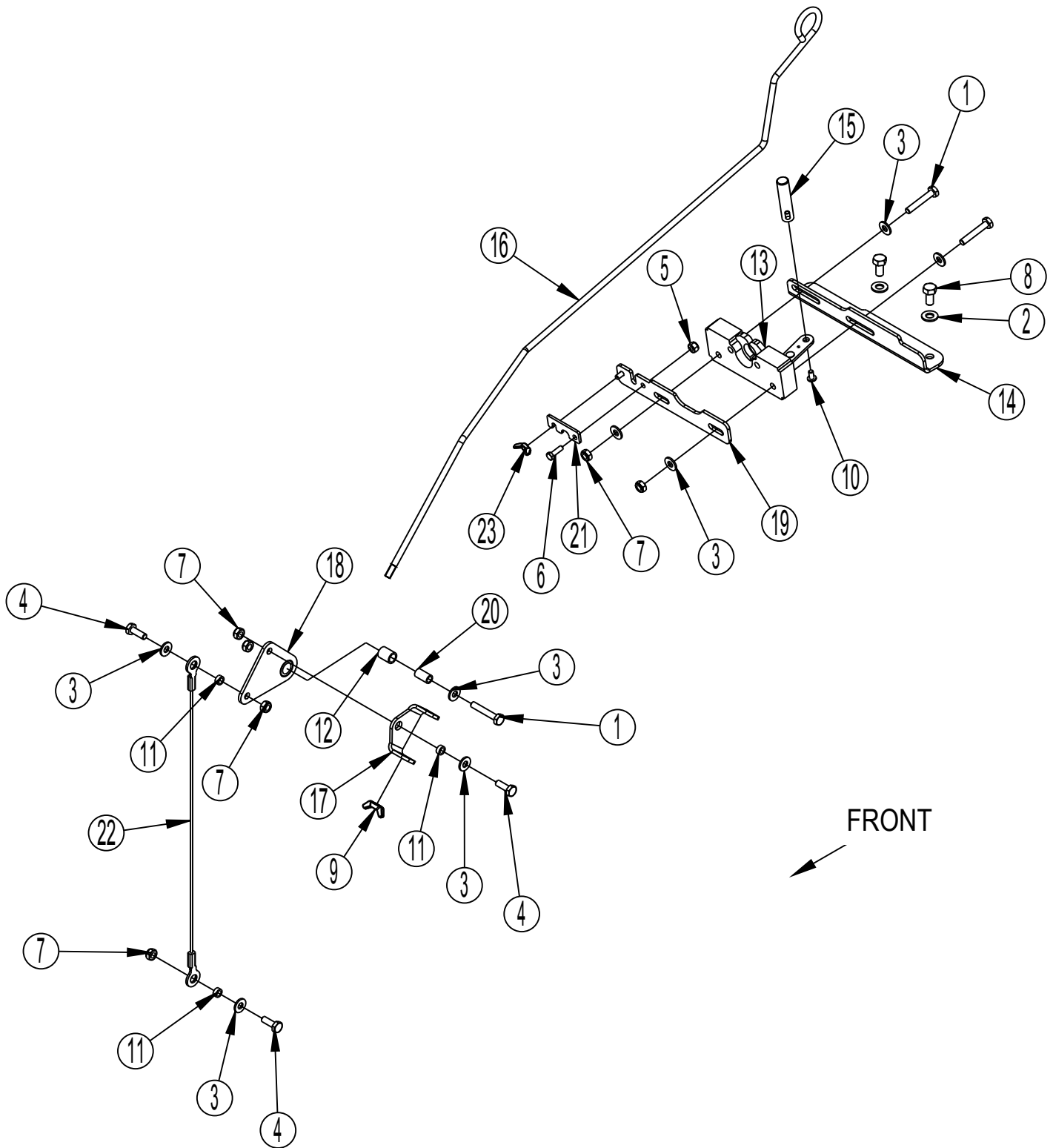
CHASSIS SYSTEM-LEFT COVER ASSEMBLY



CHASSIS SYSTEM-LEFT COVER ASSEMBLY

| Kit | Item | Ref. No. | Qty | Description |
|------------|-------------|-----------------|------------|---------------------------------|
| | | 56509851 | 1 | Left Cover Assy |
| | | 56394357 | 1 | Left Cover Assy-Fuel Cell |
| | 1 | 56002989 | 8 | Scr-Pan Phil SS 1/4-20 X .62 |
| | 2 | 56002850 | 8 | Nut, Hex Nyl Loc-Thin SS 1/4-20 |
| | 3 | 56509852 | 1 | Cover-Left |
| | | 56394233 | 1 | Cover-Left-Fuel Cell |
| | 4 | 56510606 | 1 | Grille |
| | 5 | 56003119 | 1 | Scr Pan Phil Ss 1/4-20 X .50 |

CHASSIS SYSTEM-PULL ROD ASSEMBLY



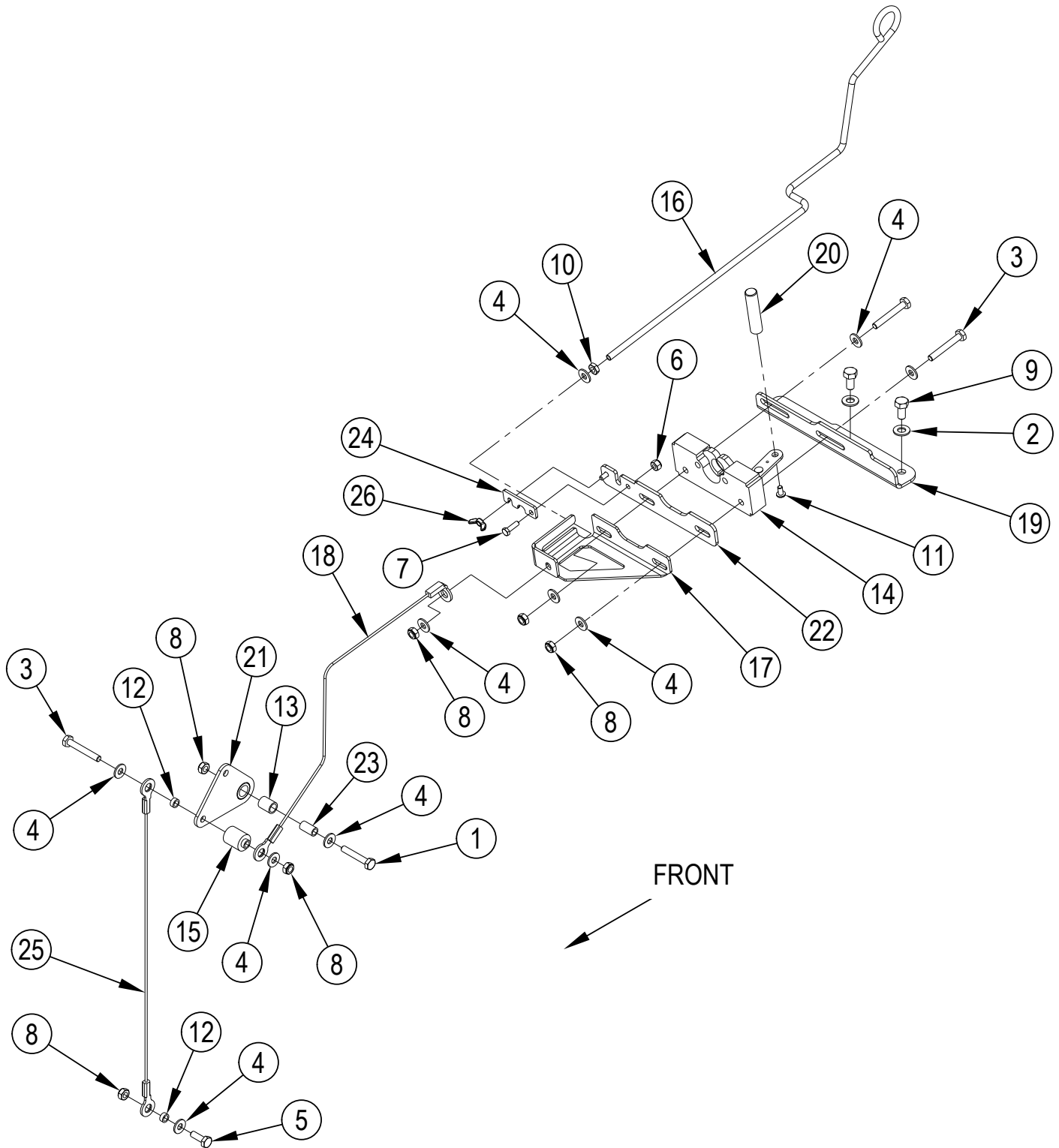
CHASSIS SYSTEM-PULL ROD ASSEMBLY

| Kit | Item | Ref. No. | Qty | Description |
|------------|-------------|-----------------|------------|-------------------------------|
| | | 56511183 | 1 | Pull Rod Assy |
| K1,K2 | 1 | | 3 | Scr, Hex 1/4-20 X 1.50 |
| K1 | 2 | | 2 | Wsh, Flt SAE 5/16 |
| K1,K2 | 3 | | 8 | Wsh, Flt SAE 1/4 |
| K2 | 4 | | 3 | Scr, Hex 1/4-20 X .75 |
| K1 | 5 | | 1 | Nut, Hex Nyl Loc 10-24 |
| K1 | 6 | | 1 | Scr, Hex 10-24 X .62 |
| K1,K2 | 7 | | 6 | Nut, Hex Nyl Loc-Thin 1/4-20 |
| K1 | 8 | | 2 | Scr,Hex Hd Loc 5/16-18x.62 |
| K2 | 9 | | 1 | Nut, Wing Loc 1/4-20 |
| K1 | 10 | | 1 | Scr, Pan Phil Loc 10-24 X .38 |
| K2 | 11 | | 3 | Bushing |
| K2 | 12 | | 1 | Bearing, .500 X .375 X .625 |
| K1 | 13 | 56304826 | 1 | Latch, Lh |
| K1 | 14 | | 1 | Bracket-Latch |
| K1 | 15 | | 1 | Pin |
| | 16 | 56509865 | 1 | Pull Rod |
| K2 | 17 | | 1 | Yoke-Pull Rod |
| K2 | 18 | | 1 | Pivot Weldt |
| K1 | 19 | | 1 | Bracket-Pull Rod |
| K2 | 20 | | 1 | Bushing-.265 X .375 X .700 |
| K1 | 21 | | 1 | Retainer-Pull Rod |
| K2 | 22 | | 1 | Cable Assy |
| K1 | 23 | | 1 | Nut, Wing 10-24 |

Service Kits

| | | | |
|----|----------|---|------------------------|
| K1 | 56510732 | 1 | Latch Kit-Engine Cover |
| K2 | 56510733 | 1 | Pivot Kit-Pull Rod |

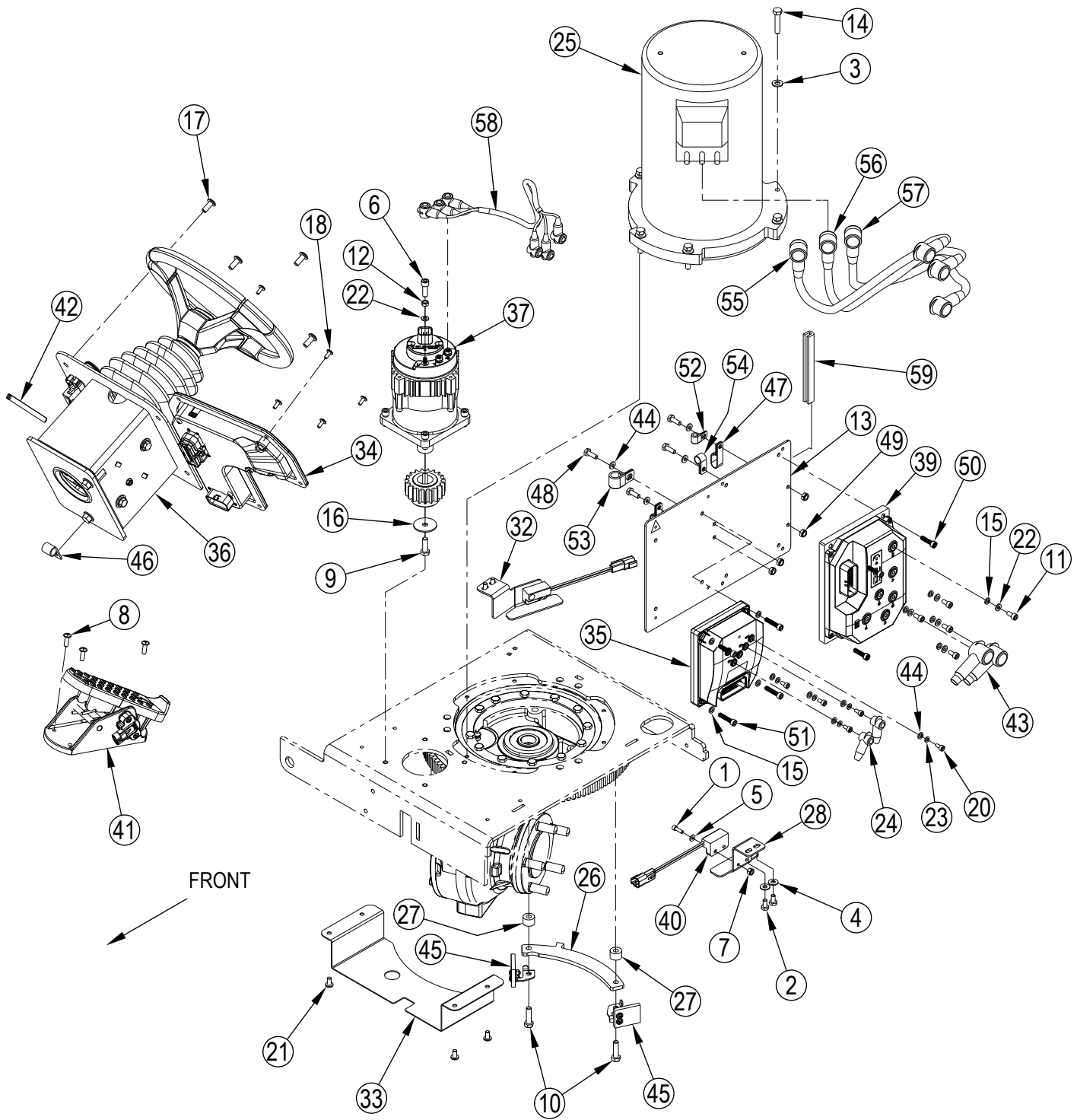
CHASSIS SYSTEM-FUEL CELL PULL ROD ASSEMBLY



CHASSIS SYSTEM-FUEL CELL PULL ROD ASSEMBLY

| Kit | Item | Ref. No. | Qty | Description |
|---------------------|-------------|-----------------|------------|------------------------------|
| | | 56382967 | 1 | Pull Rod Assy-CS7000 FC |
| K1,K2 | 1 | | 1 | Scr-Hex 1/4-20 X 1.50 |
| K1 | 2 | | 2 | Wsh, Flt SAE 5/16 |
| K2 | 3 | | 3 | Scr-Hex 1/4-20 X 1.75 |
| K1,K2 | 4 | | 10 | Wsh, Flt SAE 1/4 |
| K2 | 5 | | 1 | Scr-Hex 1/4-20 X .75 |
| K1 | 6 | | 1 | Nut, Hex Nyl Loc 10-24 |
| K1 | 7 | | 1 | Scr-Hex 10-24 X .62 |
| K1,K2 | 8 | | 6 | Nut, Hex Nyl Loc-Thin 1/4-20 |
| K1 | 9 | | 2 | Scr-Hex Hd Loc 5/16-18x.62 |
| | 10 | 56009087 | 1 | Nut, Hex Jam 1/4-20 |
| K1 | 11 | | 1 | Scr-Pan Phil Loc 10-24 X .38 |
| K2 | 12 | | 2 | Bushing |
| K2 | 13 | | 1 | Bearing, .500 X .375 X .625 |
| K1 | 14 | | 1 | Latch, Lh |
| K2 | 15 | | 1 | Bushing |
| | 16 | 56382927 | 1 | Pullrod |
| | 17 | 56382932 | 1 | Bracket-Pull Rod |
| K2 | 18 | | 1 | Cable Assy-Formed End |
| K1 | 19 | | 1 | Bracket-Latch |
| K1 | 20 | | 1 | Pin |
| K2 | 21 | | 1 | Pivot Weldt |
| K1 | 22 | | 1 | Bracket-Pull Rod |
| K2 | 23 | | 1 | Bushing .265 X .375 X .700 |
| K1 | 24 | | 1 | Retainer-Pull Rod |
| K2 | 25 | | 1 | Cable Assy |
| K1 | 26 | | 1 | Nut, Wing 10-24 |
| Service Kits | | | | |
| K1 | 56510732 | | 1 | Latch Kit-Engine Cover |
| K2 | 56383122 | | 1 | Pivot Kit-Pull Rod Fuel Cell |

CONTROL SYSTEM



CONTROL SYSTEM

| Kit | Item | Ref. No. | Qty | Description |
|-------|------|----------|-----|-----------------------------------|
| K2 | 1 | | 2 | Scr-Soc Hd 10-24 X 0.62 |
| K2 | 2 | | 4 | Scr-Hex 1/4-20 X .50 |
| K2,K3 | 3 | | 6 | Wsh, Flt Sae 5/16 |
| K2 | 4 | | 4 | Wsh, Flt Sae 1/4 |
| K2 | 5 | | 2 | Wsh, Flt Sae #8 |
| K2 | 6 | | 4 | Scr-Soc Hd 5/16-18 X 0.88 |
| K2 | 7 | | 2 | Nut, Hex Nyl Loc 10-24 |
| K1,K2 | 8 | | 3 | Scr-Pan Phil Ss 1/4-20 X .75 |
| K2 | 9 | | 1 | Scr, Hex Thd To Hd M8-1.25 X 25mm |
| K2 | 10 | | 2 | Scr-Hex Loc Ss M8-1 X 30mm |
| K2 | 11 | | 5 | Scr Soc Thd To Hd M6 X 12.0 |
| K2 | 12 | | 3 | Nut-Hex M6-1 |
| | 13 | 56511715 | 1 | Panel-Controller Heat Sink |
| K2,K3 | 14 | | 6 | Scr-Hex Ss M8-1.25 X 40mm |
| K2 | 15 | | 9 | Wsh, Flt 6.4m X 11mm X 1.6mm |
| K2 | 16 | | 1 | Wsh-Flt Ss .344 X 1.500 X .080 |
| K2 | 17 | | 4 | Scr-Pan Phil Blk 5/16-18 X .75 |
| K2 | 18 | | 5 | Scr-Truss Phil Ss Blk10-24x.50 |
| K2 | 19 | | | DELETED |
| K2 | 20 | | 5 | Scr Soc M5-0.8x10 |
| K2 | 21 | | 4 | Scr-Pan Phil Loc Ss 1/4-20x.50 |
| K2 | 22 | | 8 | Wsh Int Shprf 6mm |
| K2 | 23 | | 5 | Wsh Int Shprf 5mm |
| | 24 | 56409538 | 2 | Insulator, Terminal |
| K3 | 25 | | 1 | Motor-Traction M9 |
| | [] | 56510852 | 1 | Sensor-Speed (for 56510737) |
| | [] | 56510853 | 1 | Sensor-Thermal (for 56510737) |
| | 26 | 56509435 | 1 | Cam-Steering |
| | 27 | 56509436 | 2 | Spacer 0.332x0.75x0.50 |
| K4 | 28 | 56511959 | 1 | Bracket-Sensor Mount-Lt |
| | [29] | 56510210 | 1 | Cable-U 1 Awg X 13.75 |
| | [30] | 56510211 | 1 | Cable-V 1 Awg X 16.00 |
| | [31] | 56510212 | 1 | Cable-W 1 Awg X 19.00 |
| K4 | 32 | 56511960 | 1 | Bracket-Sensor Mount-Rt |
| | 33 | 56511140 | 1 | Shield-Splash |

| Kit | Item | Ref. No. | Qty | Description |
|-----|------|------------|-----|-------------------------------------|
| | 34 | 56511588 | 1 | Control Board Assy A1 |
| | 35 | 56511598 | 1 | Controller-Steering Motor A5 |
| | 36 | | 1 | Tilt Steering Assembly |
| | 37 | 56511657 | 1 | Motor-Steering M10 |
| | [38] | 56511667 | 1 | Harness-Steering Motor |
| | 39 | 56511698 | 1 | Controller-Traction Drive A4 |
| | 40 | 56511830 | 2 | Sensor-Proximity SW11 / SW12 |
| K1 | 41 | | 1 | Foot Pedal Assy R4 |
| | 42 | 2-00-04345 | 1 | Ty-Rap Thomas+Betts-Ty-28m |
| | 43 | 56493357 | 2 | Insulator Terminal |
| K2 | 44 | | 9 | Wsh Flt Sae 10 |
| K4 | 45 | 56511966 | 2 | Sensor Sweep Assy |
| | 46 | 56385491 | 1 | Clamp-P-.50 Dia G S |
| | 47 | 2-00-04603 | 2 | Clampdouble 1/2 Od |
| | 48 | 56002155 | 4 | Scr Hex 1/4-20 X .75 |
| | 49 | 56002840 | 4 | Nut Hex Nyl Loc-Thin 1/4-20 |
| | 50 | 56004057 | 4 | Scr-Soc-Mech Zinc-12.9-M6-1x25 |
| | 51 | 56004058 | 4 | Scr-Soc-Mech Zinc-12.9-M6-1x30 |
| | 52 | 56323260 | 1 | Clamp Cable |
| | 53 | 56419120 | 1 | Clamp Hose Support 56e00616 |
| | 54 | 56486112 | 1 | Clamp P |
| | 55 | 56394366 | 1 | Cable-1 Awg X 19.8 |
| | 56 | 56394367 | 1 | Cable-1 Awg X 18.6 |
| | 57 | 56394368 | 1 | Cable-1 Awg 16.2 |
| | 58 | 56511667 | 1 | Harness-Steering Motor |
| | 59# | 56507905 | 1 | Trim-Edge-.18 x 5.25 |

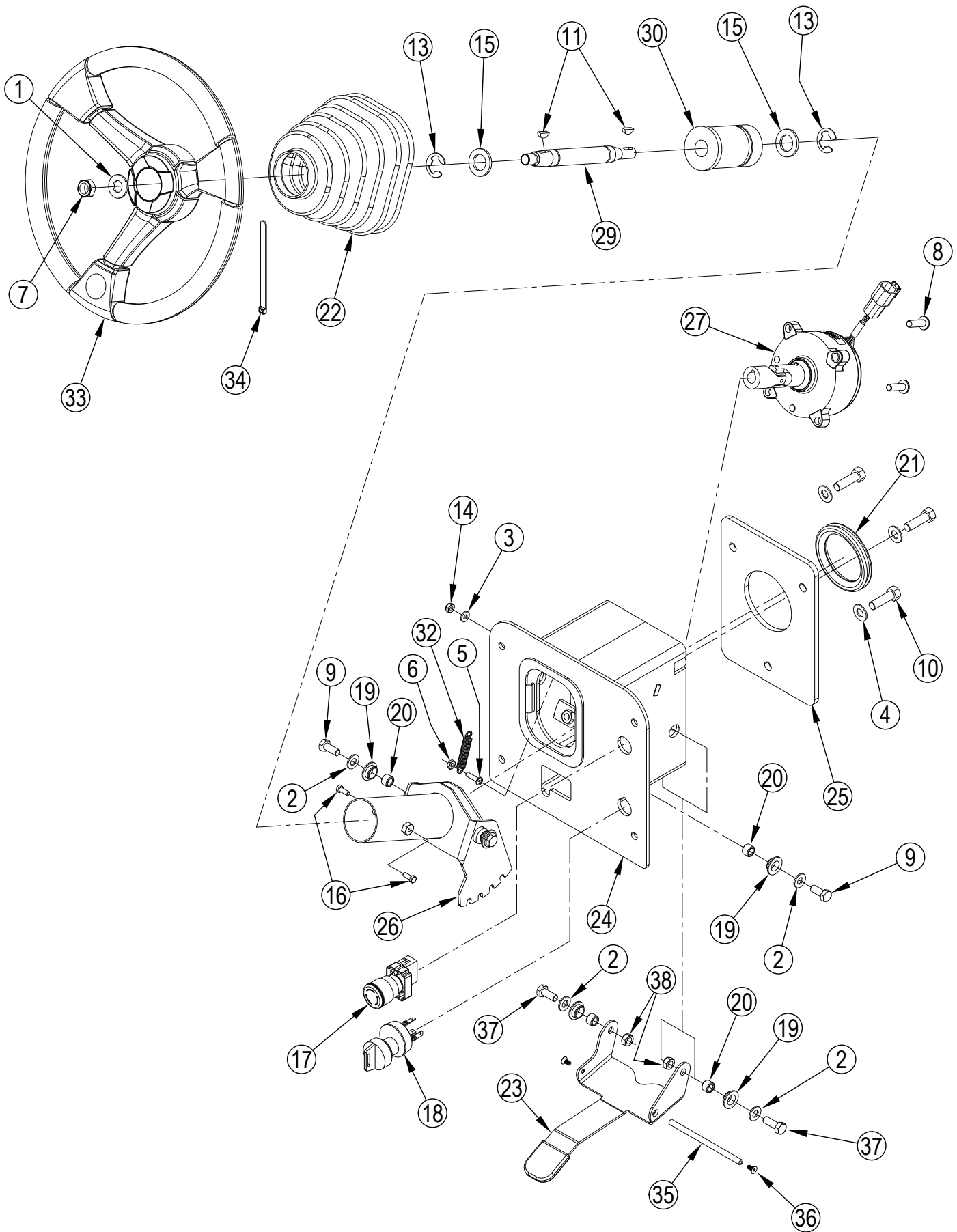
Service Kits

| | | | |
|----|----------|---|-----------------------------|
| K1 | 56510792 | 1 | Foot Pedal Kit |
| K2 | 56511884 | 1 | Hardware Kit-Control System |
| K3 | 56510737 | 1 | Motor Kit-Drive |
| K4 | 56511968 | 1 | Sensor Sweep Kit |

[] = Not Shown

= Revised or new since last update

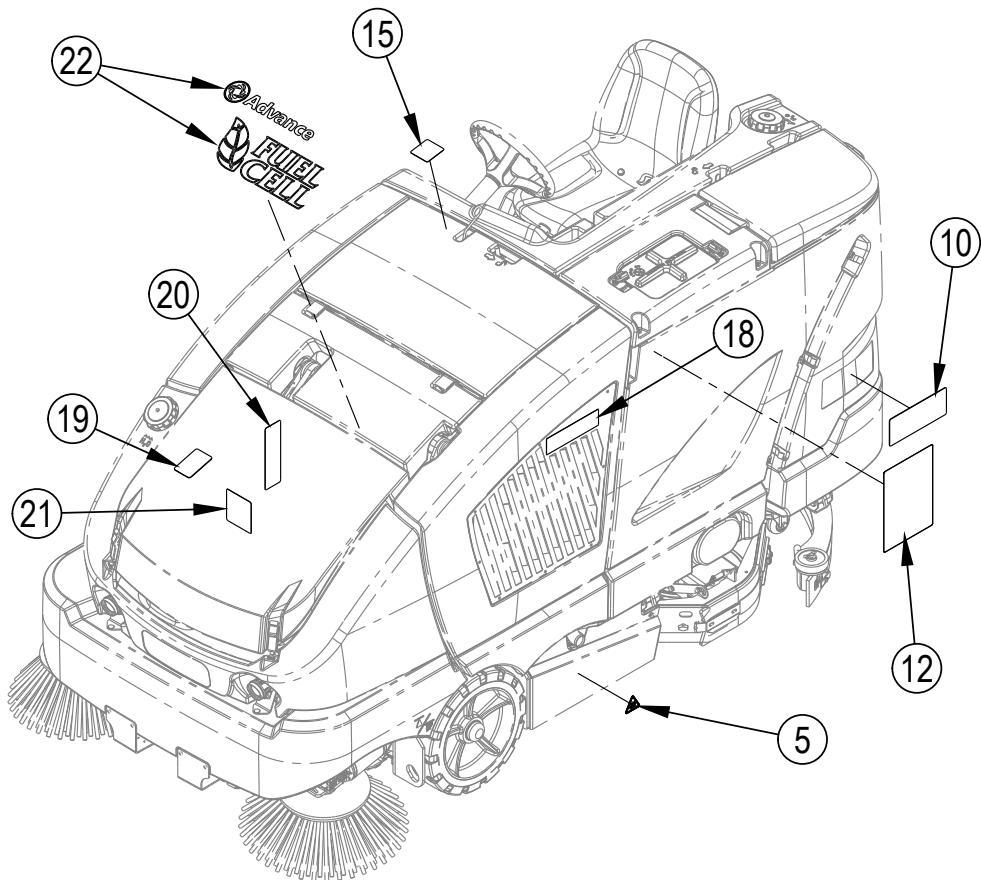
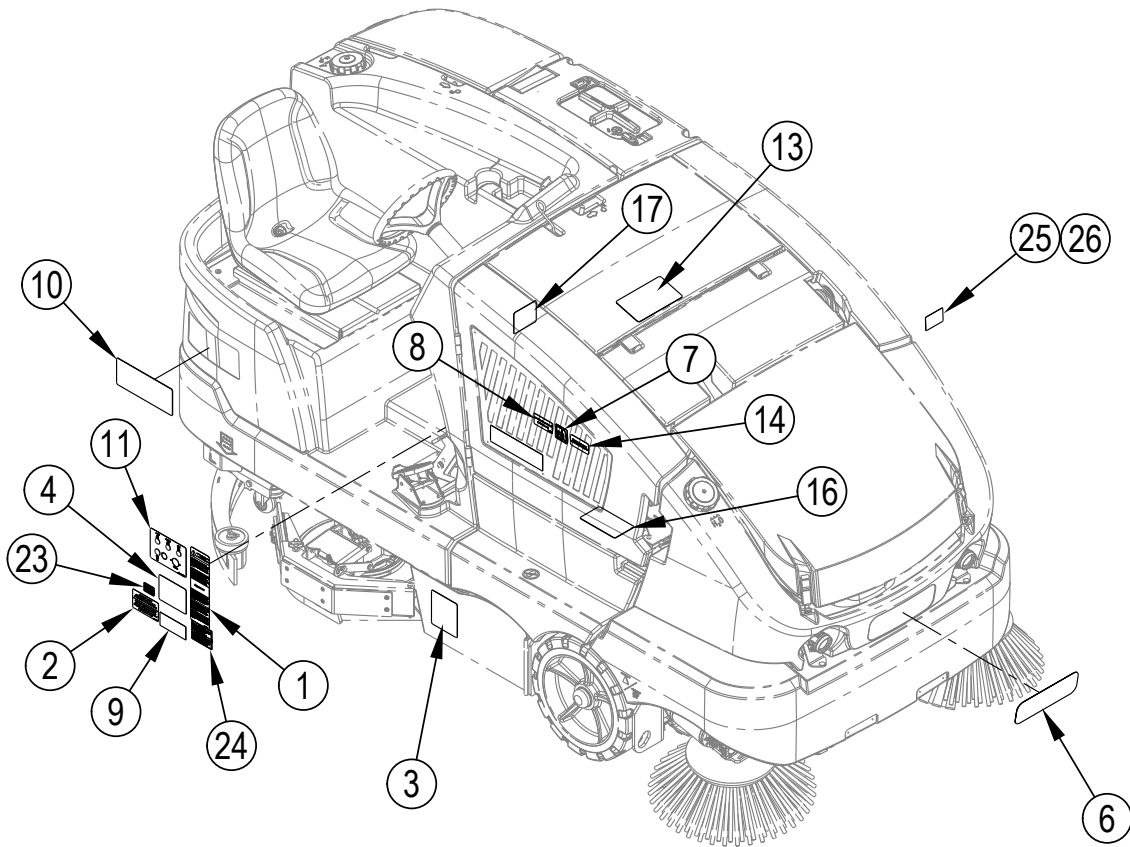
CONTROL SYSTEM-STEERING ASSEMBLY



CONTROL SYSTEM-STEERING ASSEMBLY

| Kit | Item | Ref. No. | Qty | Description |
|---------------------|-------------|-----------------|------------|---|
| K1,K2 | 1 | | 1 | Wsh-Flt Sae 1/2 |
| K1 | 2 | | 4 | Wsh, Flt Sae 5/16 |
| K1 | 3 | | 1 | Wsh, Flt Sae #10 |
| K1 | 4 | | 3 | Wsh, Flt Sae 3/8 |
| K1 | 5 | | 1 | Scr-Pan Phil 10-24 X .62 |
| K1 | 6 | | 1 | Nut Hex Machine 10-24 |
| K1,K2 | 7 | | 1 | Nut, Hex Nyl Loc-Thin 1/2-13 |
| K1 | 8 | | 3 | Scr-Pan Phil Loc 5/16-18 X 1.00 |
| K1 | 9 | | 2 | Scr-Hex Hd Loc 5/16-18x.75 |
| K1 | 10 | | 3 | Scr-Hex Hd Loc 3/8-16x1.25 |
| K1,K2,K311 | | | 2 | Key, Wdf .62 X .19 TSB-FC-2018-002 |
| K1,K2 | 13 | | 2 | Circlip Xeb .750 |
| K1 | 14 | | 1 | Nut Hex Nyl Loc-Thin 10-24 |
| K1,K2 | 15 | | 2 | Wsh, Flt .754 X 1.250 X .120 |
| K1 | 16 | | 2 | Scr Hex Loc 10-24 X .50 |
| | 17 | 56104247 | 1 | Emergency Disconnect SW2 |
| | 18 | 56111109 | 1 | Key Switch Assembly SW1 |
| | 19 | 56413211 | 4 | Bearing, Flange .625 X .500 X .250 |
| | 20 | 56413801 | 4 | Bushing .32x.50x.35 |
| | 21 | 56459362 | 1 | Grommet |
| | 22 | 56509255 | 1 | Boot-Steering |
| | 23 | 56511602 | 1 | Tilt Lever Weldment |
| | 24 | 56511603 | 1 | Steering Mount Weldment |
| | 25 | 56511604 | 1 | Bracket-Steering Cover-Rear |
| | 26 | 56511610 | 1 | Steering Column Weldment |
| | 27 | 56394105 | 1 | Tfd/U-Joint Assy E1 |
| K2,K3 | 29 | | 1 | Shaft-Steering TSB-FC-2018-002 |
| K2 | 30 | | 1 | Bushing-Steering |
| | 32 | 56511756 | 1 | Spring-Extension-0.37x2.00in |
| | 33 | 56511869 | 1 | Steering Wheel |
| | 34 | 56383974 | 1 | 15.35 In Cable Tie Blk Nylon |
| | 35 | 56511942 | 1 | Bar-Locking |
| K1 | 36 | | 2 | Scr-Flt-Soc-F835-8-32x.38-Blk |
| | 37 | 56002037 | 2 | Scr Hex 5/16-18 X .88 |
| | 38 | 56002826 | 2 | Nut Hex Nyl Loc-Thin 5/16-18 |
| Service Kits | | | | |
| K1 | 56511892 | | 1 | Hardware Kit-Steering Assy |
| K2 | 56511893 | | 1 | Steering Shaft Kit-W/ Bushing |
| K3 | 56511963 | | 1 | Steering Shaft Kit-W/O Bushing |

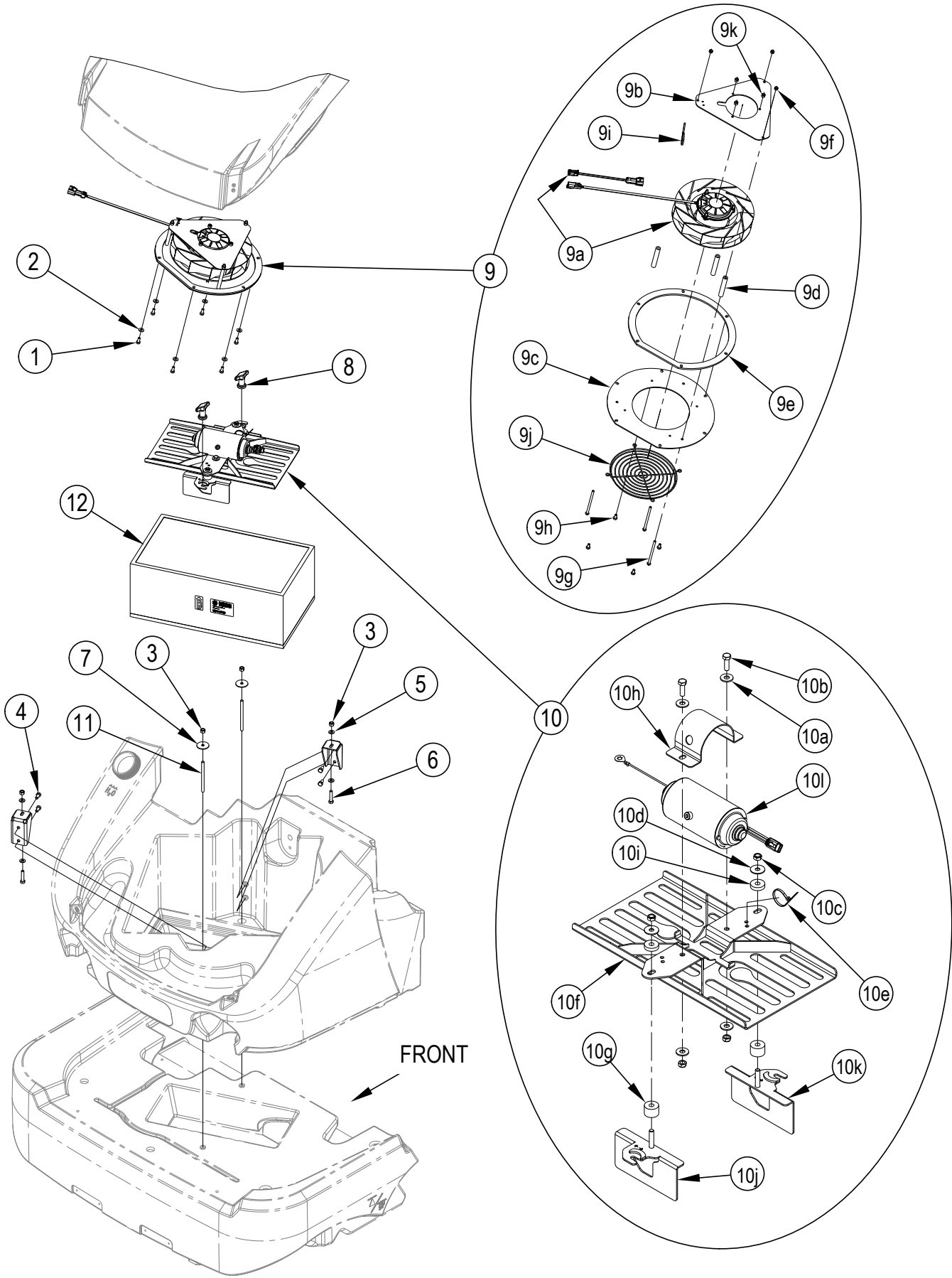
DECAL SYSTEM



DECAL SYSTEM

| Kit | Item | Ref. No. | Qty | Description |
|---------------------|-------------|-----------------|------------|---|
| K1,K2 | 1 | | 1 | Decal-Caution |
| K1 | 2 | | 1 | Decal-LPG |
| K1,K2 | 3 | | 1 | Decal-Warning Broom |
| K1,K2 | 4 | | 1 | Decal, Warning Tip Over |
| K1 | 5 | | 1 | Decal-Warning Hot (Gasoline-Petrol-LPG & Diesel) |
| K1,K2 | 6 | | 1 | Decal-Advance |
| K1 | 7 | | 1 | Decal-Diesel Fuel |
| K1 | | | 1 | Decal-Unleaded Fuel (Gasoline-Petrol) |
| K1 | 8 | | 1 | Decal-Low Sulfur Diesel |
| K1 | 9 | | | Decal-Exhaust (Gasoline-Petrol-LPG & Diesel) |
| K1,K2 | 10 | | 2 | Decal-CS7010 |
| K1,K2 | | | 2 | Decal-CS7010 Ecoflex |
| K1,K2 | 11 | | 1 | Decal-Circuit Breaker |
| K1,K2 | 12 | | 1 | Decal-Contactor Power Module (on panel behind recovery tank) |
| K1 | 13 | | 1 | Decal-Battery Wiring (Battery) |
| K1 | 14 | | 1 | Decal-Swing Out Tank (Diesel) |
| K1,K2 | 15 | | 1 | Decal-Hopper Safety Support |
| K1 | 16 | | 1 | Decal-Battery Wiring |
| K1 | 17 | | 1 | Decal-Belt Removal Tool |
| K1 | 18 | 56510650 | 2 | Decal-Hybrid Embossed (Gasoline-Petrol-LPG & Diesel) |
| K1 | | 56510748 | 2 | Decal-E Power Embossed (Battery) |
| K2 | | | 2 | Decal-Fuel Cell Embossed (Fuel Cell) |
| K1,K2 | 19 | | 1 | Decal-Filter Shaker Hanger |
| K1,K2 | 20 | | 1 | Decal-Warning Hopper |
| K1,K2 | 21 | | 1 | Decal-Warning Hydraulic |
| K2 | 22 | | 1 | Decal-Fuel Cell |
| | 23 | 56394259 | 1 | Decal-Prop 65 |
| | 24 | 56394260 | 1 | Decal-Prop 65 Diesel |
| | 25 | 56511253 | 1 | Label-Carb Epa |
| | 26 | 56394264 | 1 | Label-Epa Emissions-Diesel |
| Service Kits | | | | |
| K1 | 56511894 | | 1 | Decal Kit-Advance |
| K2 | 56511896 | | 1 | Decal Kit-Fuel Cell |

DUST CONTROL SYSTEM



DUST CONTROL SYSTEM

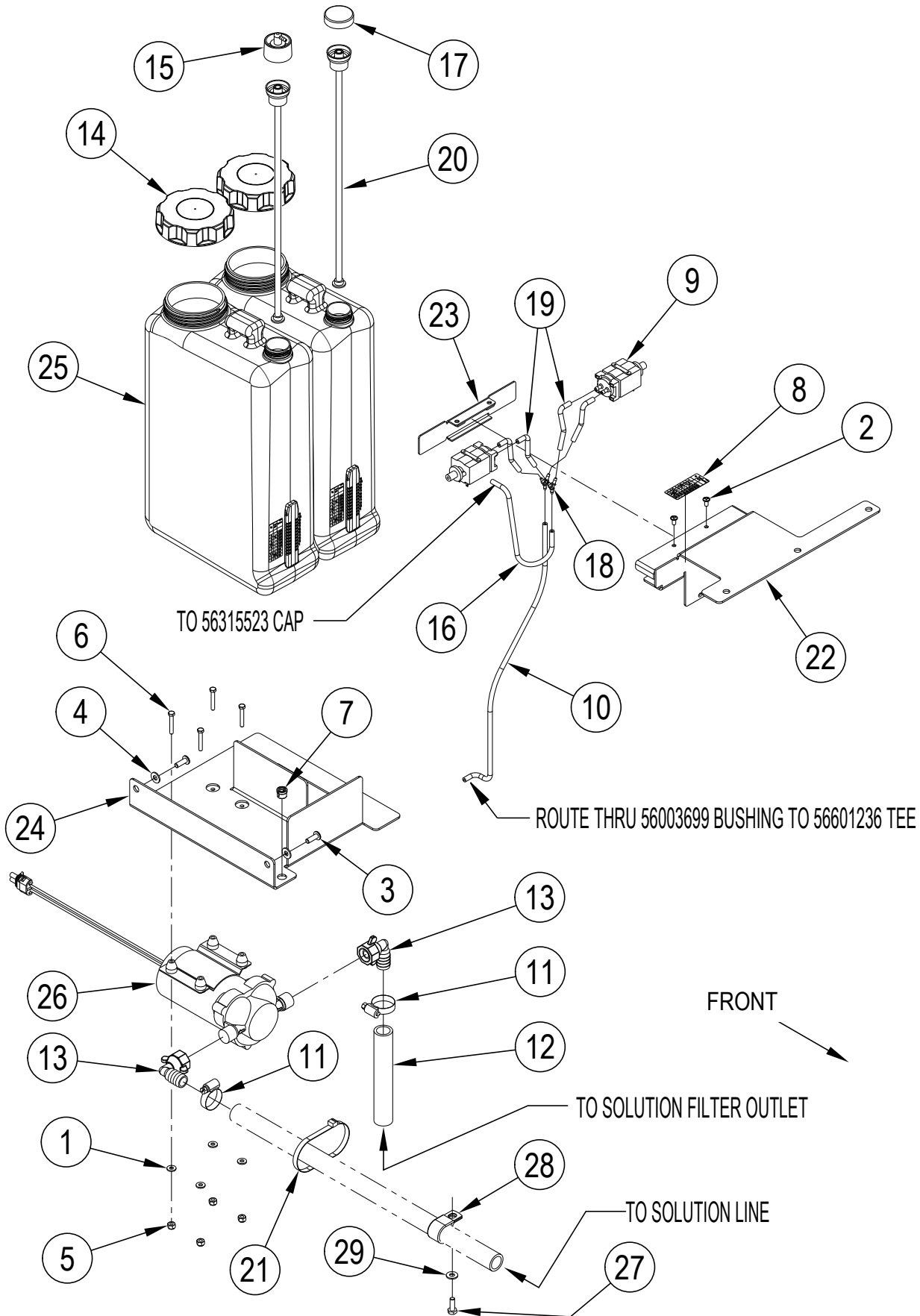
| Kit | Item | Ref. No. | Qty | Description |
|------------|-------------|-----------------|------------|--------------------------------------|
| K1 | 1 | | 6 | Scr. Hex 1/4-20 X .62 |
| K1 | 2 | | 6 | Wsh, Flt SAE 1/4 |
| K2,K3 | 3 | | 4 | Nut, Hex Nyl Loc SS 5/16-18 |
| K2 | 4 | | 4 | Scr-Hex Loc SS 5/16-18 X .62 |
| K2 | 5 | | 4 | Wsh-Flt SAE SS 5/16 |
| K2 | 6 | | 2 | Scr- Hex Thd to Hd SS 5/16-18 X 1.75 |
| K3 | 7 | | 2 | Wsh-Flt SS .344 X 1.500 X .080 |
| | 8 | 56370711 | 2 | Nut Thumb |
| K1 | 9 | | 1 | Impeller Assy |
| K1 | 9a | 56511926 | 1 | Impeller/Adapter Cable Kit M2 |
| K1 | 9b | | 1 | Plate-Support |
| K1 | 9c | | 1 | Plate-Impeller |
| K1 | 9d | | 3 | Spacer-.44x.31x3.19 |
| K1 | 9e | 33023192 | 1 | Gasket |
| K1 | 9f | | 3 | Nut Hex Nyl Loc-Thin 1/4-20 |
| K1 | 9g | | 3 | Scr Hex 1/4-20 X 3.75 |
| K1 | 9h | | 4 | Scr, Hex Thd Form 1/4-20 X .50 |
| K1 | 9i | | 1 | Tie, Cable |
| K1 | 9j | | 1 | Protection Grate |
| K1 | 9k | | 3 | Nut-Hex Nyl Loc M6-1 |
| | 10 | 56509762 | 1 | Filter Shaker Assy |
| | 10a | 56002220 | 4 | Wsh, Flt Std 5/16 |
| | 10b | 56002221 | 2 | Scr, Hex 5/16-18 X 1.00 |
| K4,K5 | 10c | | 4 | Nut, Hex Nyl Loc-Thin 5/16-18 |
| K5 | 10d | | 2 | Wsh-Flt SS .33 X 1.00 X.060 |
| K5 | 10e | | 1 | Tie, Cable |
| K5 | 10f | | 1 | Filter Shaker Weldt |
| K5 | 10g | | 2 | Isolator |
| | 10h | 56510310 | 1 | Clamp-Shaker Motor |
| K5 | 10i | | 2 | Wsh-Rubber .34x1.00x.25 |
| K5 | 10j | | 1 | Filter Clamp Weldt |
| K5 | 10k | | 1 | Filter Clamp Weldt |
| K4 | 10l | | 1 | Motor-36vdc-Filter Shaker M8 |
| | 11 | 56510253 | 2 | Rod-Threaded |
| | 12 | 56510354 | 1 | Filter-Rectangular Synthetic |
| K2 | 13 | | 2 | Bracket-Filter Tie Down |

Service Kits

| | | | |
|----|----------|---|----------------------------------|
| K1 | 56511923 | 1 | Impeller Kit-Hopper |
| K2 | 56510779 | 1 | Bracket Kit-Filter Tie Down |
| K3 | 56510783 | 1 | Hardware Kit-Dust Control System |
| K4 | 56511367 | 1 | Motor Kit-Shaker |
| K5 | 56510788 | 1 | Filter Shaker Kit |

* = Optional, Not Included

ECOFLEX™ ASSEMBLY



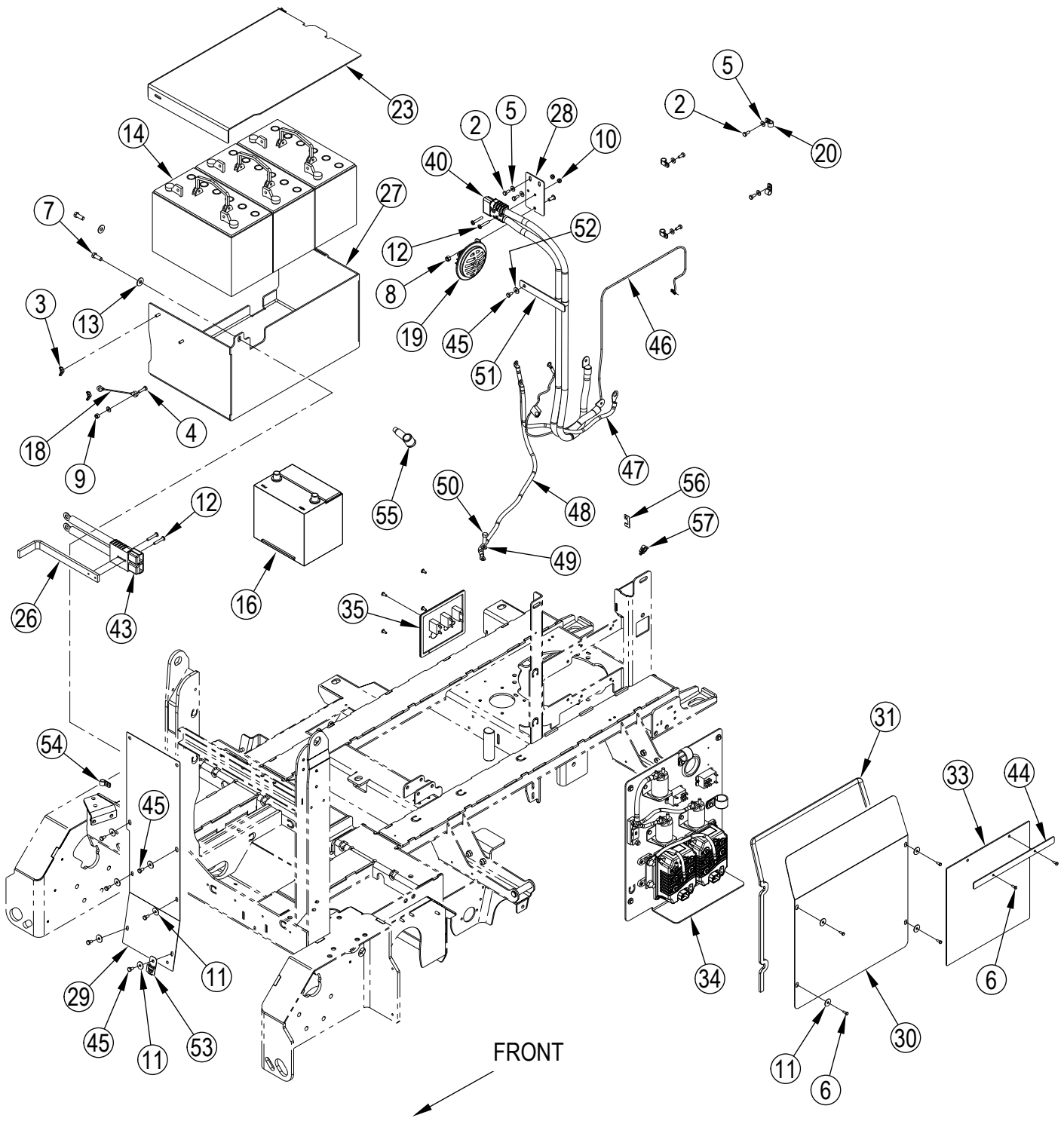
ECOFLEX™ ASSEMBLY

| Kit | Item | Ref. No. | Qty | Description |
|------------|-------------|-----------------|------------|---------------------------------------|
| | | 56511838 | 1 | Onboard Chemical Assy (1-26) |
| K2 | 1 | | 4 | Wsh, Flt Sae #10 |
| K2 | 2 | | 2 | Scr-Pan Phil 10-24 X .38 |
| K2 | 3 | | 2 | Scr-Pan Phil 1/4-20 X .75 |
| K2 | 4 | | 3 | Wsh, Flt Sae 1/4 |
| K2 | 5 | | 4 | Nut, Hex Nyl Loc 10-24 |
| K2 | 6 | | 4 | Scr-Hex 10-24 X 1.25 |
| K2 | 7 | | 1 | Bushing, 1/4 Id Snub |
| K2 | 8 | | 1 | Decal-Chemical Ratio |
| K1 | 9 | | 2 | Pump, Detergent, 12v M19 / M20 |
| K1 | 10 | | 1 | Hose 1/8 Id X 32 Lg |
| K3 | 11 | | 2 | Clamp- Hose Sae #12 |
| K3 | 12 | | 1 | Hose, Spiral .750 X 6" |
| K3 | 13 | | 2 | Elbow Poly 1/2 X 3/4 |
| K4 | 14 | | 2 | Cap Plastic F Chemical Tank |
| | 15 | 56315523 | 1 | Cap Dry Break 1/8 Barb |
| K1 | 16 | | 1 | Hose-Chemical Resistant-7.50 |
| K4 | 17 | | 1 | Cap, 38mm Buttress |
| K1 | 18 | | 2 | Fitting, Y, Barb, .125 |
| K1 | 19 | | 4 | Hose-Chem Resistant-5.00 |
| K4 | 20 | | 2 | Insert, Dry Break |
| K3 | 21 | | 1 | Tie, Cable |
| K2 | 22 | | 1 | Pump Mnt Weldt |
| K2 | 23 | | 1 | Cover Weldt |
| K2 | 24 | | 1 | Pump Support Weldt |
| K4 | 25 | | 2 | Chemical Bottle Assy |
| | 26 | 56511834 | 1 | Pump-36vdc-Water M23 |
| | 27 | 56002155 | 1 | Scr Hex 1/4-20 X .75 |
| | 28 | 56303651 | 1 | Clamp P.CI-16 |
| | 29 | 56002098 | 1 | Wsh Flt Sae 1/4 |

Service Kits

| | | | |
|----|----------|---|------------------------|
| K1 | 56510888 | 1 | Detergent Pump Kit |
| K2 | 56510889 | 1 | Bracket / Hardware Kit |
| K3 | 56510891 | 1 | Hose / Fitting Kit |
| K4 | 56510892 | 1 | Chemical Bottle Kit |

ELECTRICAL SYSTEM



ELECTRICAL SYSTEM

| Kit | Item | Ref. No. | Qty | Description |
|-----|------|----------|-----|--|
| K1 | 2 | | 6 | Scr-Hex 1/4-20 X .62 |
| K1 | 3 | | 2 | Nut, Wing 1/4-20 NOTE 2 |
| K1 | 4 | | 1 | Scr-Hex 1/4-20 X 1.00 NOTE 2 |
| K1 | 5 | | 7 | Wsh, Flt Sae ¼ NOTE 3 |
| K1 | 6 | | 10 | Scr-Hex 10-24 X .50 |
| K1 | 7 | | 2 | Scr-Hex 3/8-16 X 1.00 NOTE 2 |
| K1 | 8 | | 1 | Nut, Hex Nyl Loc 5/16-18 |
| K1 | 9 | | 1 | Nut, Hex Nyl Loc 1/4-20 NOTE 2 |
| K1 | 10 | | 2 | Nut, Hex Nyl Loc-Thin 1/4-20 |
| K1 | 11 | | 10 | Wsh, Flt .266 X .906 X .060 |
| K1 | 12 | | 4 | Scr-Pan Phil Loc 1/4-20 X 1.50 |
| K1 | 13 | | 2 | Wsh-Flt .392x1.00x.075 NOTE 2 |
| K2 | 14 | | 3 | Battery, Gel 12v 98 Ah NOTE 2 |
| | [15] | 56372673 | 6 | Boot-Battery Post |
| | 16 | 56380449 | 1 | Battery-12v 45ah Wet BT2 NOTE 2 |
| | [17] | 56409485 | 2 | Cable Assy-1 X 15.00 |
| | 18 | 56412344 | 1 | Wire Rope Assy NOTE 2 |
| | 19 | 56394040 | 1 | Horn-36v H2 |
| | 20# | 56323260 | 4 | Clamp-P |
| | [22] | 56509182 | 1 | Cable Assy-Starter Battery |
| | 23 | 56509738 | 1 | Cover-Battery NOTE 2 |
| | [24] | 56510223 | 1 | Cable-1 Awg X 29.25 |
| | [25] | 56510224 | 1 | Cable-1 Awg X 26.50 |
| | 26 | 56510835 | 1 | Bar-Elect Disconnect |
| | 27 | 56511177 | 1 | Battery Box Weldt NOTE 2 |
| | 28 | 56511215 | 1 | Bracket-Connector Mount |
| | 29 | 56511365 | 1 | Panel-Cable Chaseway |
| | 30 | 56511370 | 1 | Cover-Electrical Compartment |
| | 31 | 56383979 | 1 | Gasket-Strip-59x.5x.25 |
| | [32] | 56394283 | 1 | Harness-Main |

| Kit | Item | Ref. No. | Qty | Description |
|-----|------|----------|-----|--|
| | 33 | 56511623 | 1 | Curtain-Splash-Cs7010 |
| | 34 | | 1 | Electrical Panel Assy (see page 41) |
| | 35 | | 1 | Circuit Breaker Panel Assy (see page 40) |
| | [36] | 56394400 | 1 | Harness-Hopper |
| | [37] | 56394371 | 1 | Harness-Engine Interface |
| | [39] | 56394370 | 1 | Harness-Recovery Tank |
| | 40 | 56511645 | 1 | Harness-Power |
| | [41] | 56394361 | 1 | Cable-1 Awg X 51.3 |
| | [42] | 56394362 | 1 | Cable-1 Awg X 40.6 |
| | 43 | 56511646 | 1 | Harness-Alternator |
| | 44 | 56394206 | 1 | Strap-Splash Curtain |
| | 45 | 56001854 | 11 | Scr Hex 1/4-20 X .50 |
| | 46 | 56511648 | 1 | Harness-Engine Bonding |
| | 47 | 56394106 | 1 | Cable-4 Awg X 22.00 NOTE 4 |
| | 48 | 56394321 | 1 | Cable-4 Awg X 34.00 |
| | 49 | 56001939 | 1 | Wsh Flt Sae 5/16 |
| | 50 | 56002947 | 1 | Scr Hex Loc 3/8-16 X 1.00 |
| | 51 | 56394207 | 1 | Retainer-Harness |
| | 52 | 56001906 | 1 | Wsh Flt Std 1/4 |
| | 53 | 56111972 | 1 | Clip-Connector |
| | 54# | 56385491 | 1 | Clamp P |
| | 55 | 56493357 | 1 | Insulator Terminal |
| | 56 | 56384494 | 1 | Clip-Mount-Tie Down |
| | 57 | 56386407 | 1 | Clip E00360 |

Service Kits

| | | | |
|----|----------|---|------------------------------------|
| K1 | 56511885 | 1 | Hardware Kit-Elect Sys |
| K2 | 56510781 | 1 | Battery Kit-Elect Sys LPG / Diesel |

[] = Not Shown

= Revised or new since last update

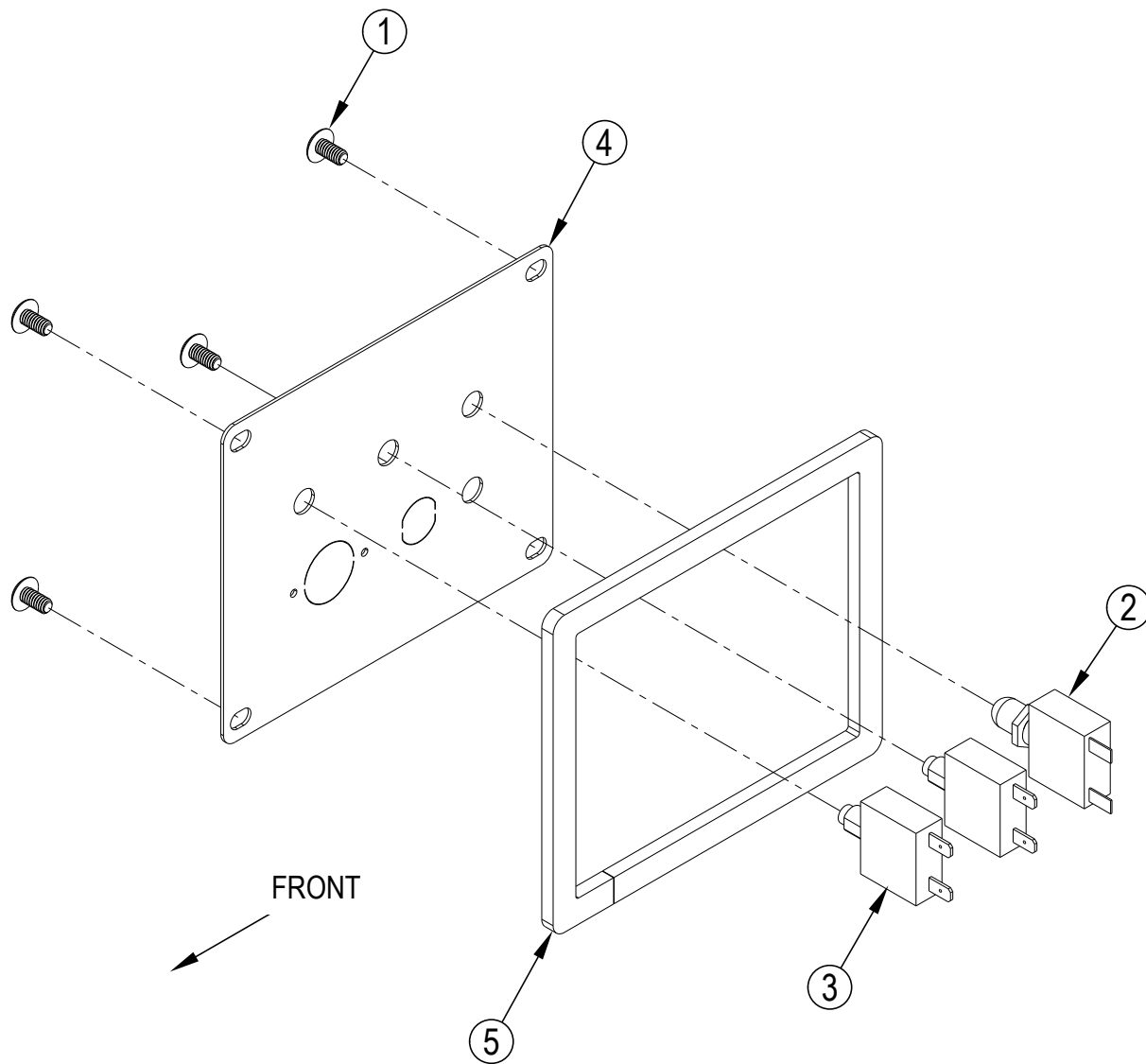
NOTE 1: These items are only used on diesel models.

NOTE 2: These items are only used on LPG and diesel models.

NOTE 3: Quantity of 6 on battery models.

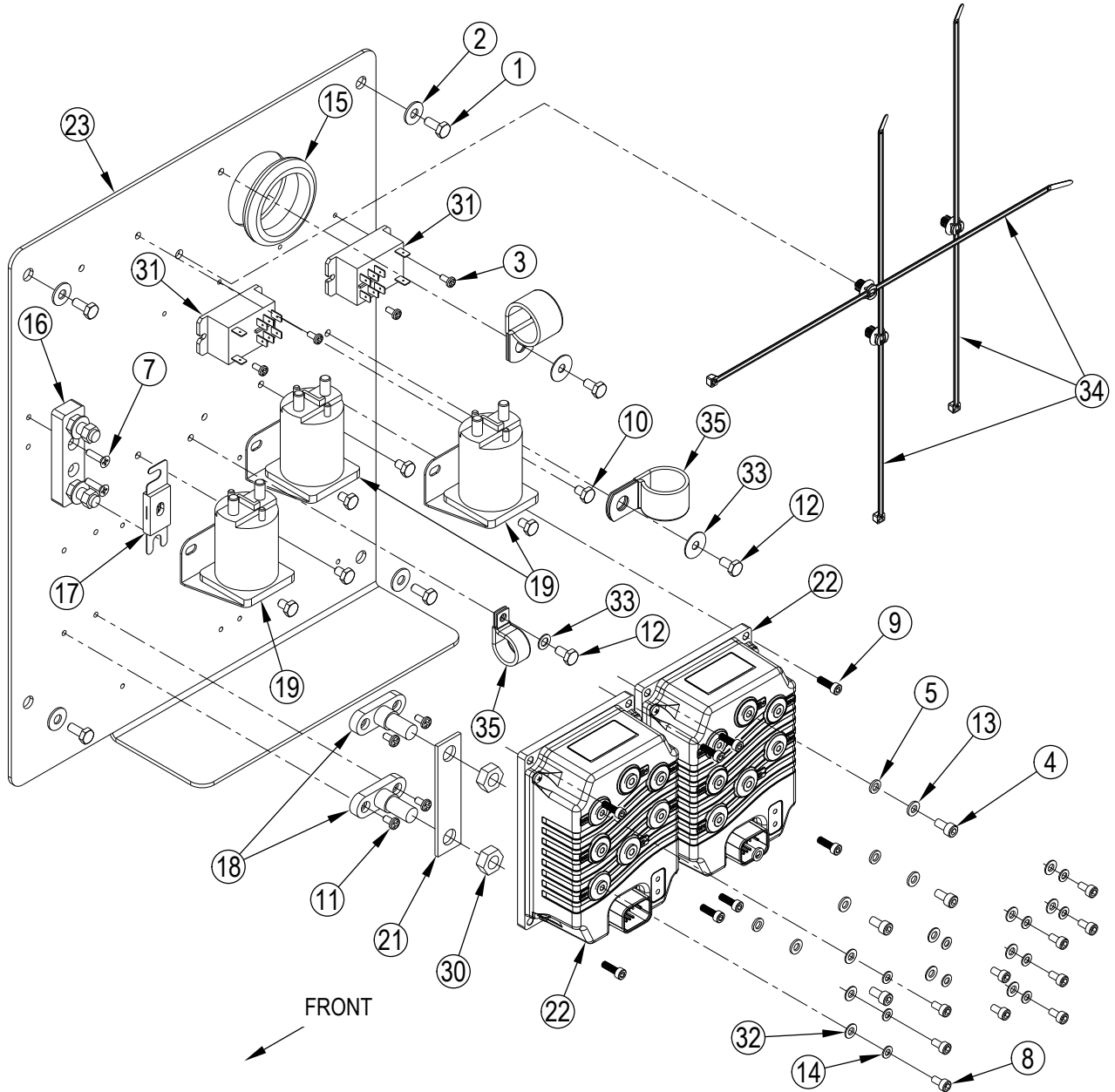
NOTE 4: Order the Engine Bonding Cable Kit 56394111 when replacing the Engine Bonding Cable 56394106.

ELECTRICAL SYSTEM-CIRCUIT BREAKER PANEL ASSEMBLY



| Kit Item | Ref. No. | Qty | Description |
|----------|----------|-----|---|
| 1 | 56001812 | 4 | Scr Trss Phil 1/4-20 X .50 Blk |
| 2 | 56315255 | 1 | Circuit Breaker, 5 Amp SW11 / SW12 |
| 3 | 56509623 | 2 | Circuit Breaker-25 Amp CB2 / CB3 |
| 4 | 56394205 | 1 | Panel-Circuit Breaker |
| 5 | 56510458 | 1 | Gasket-Strip |

ELECTRICAL SYSTEM-CONTACTOR PANEL ASSEMBLY

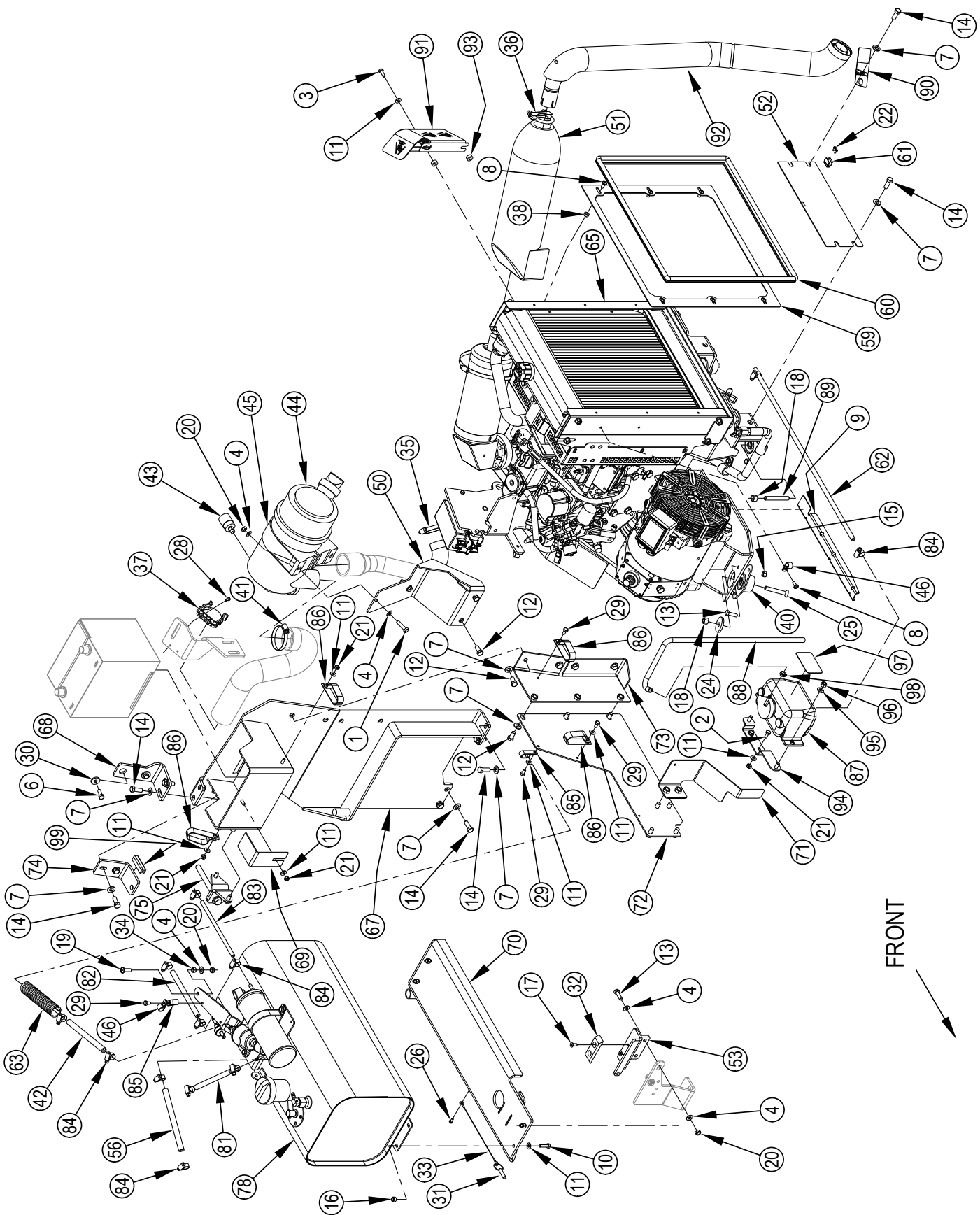


| Kit Item | Ref. No. | Qty | Description |
|----------|----------|-----|------------------------------------|
| 1 | 56001836 | 4 | Scr-Hex 1/4-20 x .62 |
| 2 | 56001906 | 4 | Wsh, Flt Std 1/4 |
| 3 | 56002523 | 4 | Scr, Pan Phil Thd Form 8-32 x .38 |
| 4 | 56003357 | 4 | Scr Soc Thd To Hd M6 x 12.0 |
| 5 | 56003547 | 4 | Wsh, Flt 6.4m X 11mm x 1.6mm |
| 6# | | | DELETED |
| 7 | 56003681 | 2 | Scr, Flt Phil Thd Form 10-24 x .75 |
| 8 | 56004009 | 10 | Scr Soc M5-0.8 x 10 |
| 9 | 56003365 | 8 | Scr Soc Hd M5 x 16.0 |
| 10 | 56009019 | 6 | Scr, Hex Thd Form 1/4-20 x .38 |
| 11 | 56009030 | 4 | Scr, Pan Phil Thd Form 10-24 x .38 |
| 12 | 56009033 | 3 | Scr, Hex Thd Form 1/4-20 x .50 |
| 13 | 56009188 | 4 | Wsh Int Shprf 6mm |
| 14 | 56009255 | 10 | Wsh Int Shprf 5mm |
| 15 | 56262531 | 1 | Grommet |
| 16 | 56303295 | 1 | Fuse Block |
| 17 | 56303297 | 1 | Fuse, 400 Amp F1 |
| 18 | 56303298 | 2 | Stud Type Junction Block |

| Kit Item | Ref. No. | Qty | Description |
|----------|----------|-----|---|
| 19 | 56395453 | 3 | Contactor-36 Volt 200 Amp K2 / K3 / K4 |
| 20# | | | DELETED |
| 21 | 56510259 | 1 | Bus Bar-Ground |
| 22 | 56511622 | 2 | Module-Power A3 |
| 23 | 56511634 | 1 | Panel-Electrical |
| [25] | 56394359 | 1 | Cable-6 Awg x 4.0 |
| [26] | 56394360 | 1 | Cable - 6 Awg x 10.0 |
| [27] | 56511726 | 1 | Cable-1 Awg x 9.00 |
| [28] | 56394363 | 1 | Cable-6 Awg x 8.2 |
| [29] | 56394364 | 1 | Cable-6 Awg x 14.3 |
| 30 | 56009089 | 2 | 1/2-20 Hex Jam Nut |
| 31 | 40892A | 2 | Relay Dpdt 36vdc K1 / K5 |
| 32 | 56001954 | 10 | Wsh Fit SAE 10 |
| 33# | 56003539 | 3 | Wsh Flt .281 x .500 x .036 |
| 34 | 56116611 | 3 | Cable Tie-Mount |
| 35# | 56410097 | 3 | Clamp P |

= Revised or new since last update

ENGINE SYSTEM-GASOLINE-PETROL



ENGINE SYSTEM-GASOLINE-PETROL

| Kit | Item | Ref. No. | Qty | Description |
|-----|------|----------|-----|------------------------------------|
| K1 | 1 | | 2 | Scr-Hex 5/16-18 X 1.25 |
| K1 | 2 | | 2 | Scr-Hex 1/4-20 X .62 |
| K1 | 3 | | 2 | Scr Hex 1/4-20 X .75 |
| K1 | 4 | | 9 | Wsh, Flt SAE 5/16 |
| K1 | 6 | | 2 | Scr-Hex 5/16-18 X .88 |
| K1 | 7 | | 23 | Wsh, Flt SAE 3/8 |
| K1 | 8 | | 7 | Scr-Pan Phil 1/4-20 X .62 |
| K2 | 9 | | 1 | Guard-Wire Harness |
| K1 | 10 | | 4 | Scr-Hex 1/4-20 X 1.00 |
| K1 | 11 | | 13 | Wsh, Flt SAE 1/4 |
| K1 | 12 | | 13 | Scr-Hex 3/8-16 X .75 |
| K1 | 13 | | 10 | Scr-Hex 5/16-18 X 1.00 |
| K1 | 14 | | 12 | Scr-Hex 3/8-16 X 1.00 |
| K1 | 15 | | 8 | Nut, Hex Nyl Loc 5/16-18 |
| K1 | 16 | | 4 | Nut, Hex Nyl Loc 1/4-20 |
| K1 | 17 | | 2 | Scr-Flt Phil 1/4-20 X .62 |
| K1 | 18 | | 4 | Nut-Hex Nyl Loc 3/8-16 |
| K1 | 19 | | 1 | Scr-Pan Phil 5/16-18 X 1.00 |
| K1 | 20 | | 5 | Nut, Hex Nyl Loc-Thin 5/16-18 |
| K1 | 21 | | 5 | Nut, Hex Nyl Loc-Thin 1/4-20 |
| K1 | 22 | | 2 | Scr-Pan Phil SS 6-32 X .38 |
| K1 | 23 | | | DELETED |
| K1 | 24 | | 4 | Wsh Flt Steel .406cv31c |
| K1 | 25 | | 1 | Scr-Flt Soc SS 3/8-16 X 2.50 |
| K1 | 26 | | 1 | Scr, Hex Thd Form 10-24 X .38 |
| K1 | 28 | | 2 | Scr, Pan Phil Thd Form 10-24 X .50 |
| K1 | 29 | | 4 | Scr, Hex Thd Form 1/4-20 X .50 |
| K1 | 30 | | 2 | Wsh, Flt .344 X .938 X .125 |
| | 31 | 56050356 | 1 | Pin Quickrise--.312dia .625l |
| | 32 | 56110514 | 1 | Skid |
| | 33 | 56314400 | 1 | Wire Rope, 9 Inch |
| | 34 | 56320595 | 1 | Bushing .32x.50x.28 |
| | 35 | 56329145 | 1 | Clamp- Hose SAE #24 |
| | 36 | 56343236 | 1 | Clamp, Muffler 1.50 |
| | 37 | 56396199 | 1 | Clamp, Plastic |
| | 38 | 56410057 | 6 | Bushing, .26 Id X .50 Od |
| | 40 | 56419300 | 4 | Mount, Isolator, Stiff |
| | 41 | 56440213 | 2 | Clamp- Hose SAE #32 |
| | 42 | 56511254 | 1 | Hose Fuel |
| | 43 | 56478461 | 1 | Indicator, Service |
| | 44 | 56482478 | 1 | Cleaner, Air |
| | [] | 56482028 | 1 | Filter Safety (for 56482478) |
| | [] | 56482029 | 1 | Filter Primary (for 56482478) |
| | 45 | 56482621 | 1 | Band Assy |
| | 46 | 56486112 | 2 | Clamp-P |
| | 50 | 56510159 | 1 | Air Cleaner Mnt Weldt |
| | 51 | 56384176 | 1 | Blanket-Catalytic Converter |
| | 52 | 56510284 | 1 | Plate-Guard |

| Kit | Item | Ref. No. | Qty | Description |
|-----|------|------------|-----|--|
| | 53 | 56510295 | 1 | Mount Weldt |
| | 56 | 56306096 | 1 | Hose Fuel |
| | 59 | 56511915 | 1 | Mount-Radiator Seal |
| | 60 | 56510730 | 1 | Trim-Seal |
| | 61 | 56510834 | 1 | Clip-Spring 1/2 |
| | 62 | 56510953 | 1 | Hose-Black 1/4 Id X 25 |
| | 63 | 56419452 | 1 | Conduit |
| | 65 | | 1 | Petrol Engine Assy (See pages 44 and 45) |
| | 67 | 56511118 | 1 | Fuel Tank Support Weldt |
| | 68 | 56511120 | 1 | Bracket-Tank Support |
| | 69 | 56511122 | 1 | Holddown-Battery |
| | 70 | 56511128 | 1 | Tank Pivot Weldt |
| | 71 | 56511141 | 1 | Cable Guard Weldt |
| | 72 | 56511142 | 1 | Plate-Tank Guard |
| | 73 | 56511143 | 1 | Guard Mnt Weldt |
| | 74 | 56511174 | 1 | Bracket-Tank Pivot |
| | 75 | 56511199 | 1 | Belt Removal Tool |
| | 78 | | 1 | Petrol Tank Assy (See pages 48 and 49) |
| | 81 | 56511248 | 1 | Hose-Fuel Line |
| | 82 | 56511249 | 1 | Hose-Fuel Line |
| | 83 | 56511251 | 1 | Hose-Fuel Line |
| | 84 | 56756364 | 12 | Clamp- Hose SAE #4 |
| | 85 | 56004073 | 2 | Clamp-Double P-.562-Cdv0909z1 |
| | 86 | 2-00-05253 | 4 | Clamp, 3/4" Wire, Double |
| | 87 | 56394241 | 1 | Bottle-Overflow |
| | 88 | 7-33-02644 | 1 | Hose, 1/4" Id X 28" Long, Clear |
| | 89 | 56511500 | 3 | Stud-Double Ended |
| | 90 | 56511631 | 1 | Hanger-Tailpipe |
| | 91 | 56511919 | 1 | Shield-Heat |
| | 92 | 56511948 | 1 | Exhaust Pipe Weldment-Petrol |
| | 93 | 56511913 | 2 | Spacer-Heat Sheild |
| | 94 | 56394242 | 1 | Bracket-Overflow Bottle |
| | 95 | 56001939 | 11 | Wsh Flt Sae 5/16 |
| | 96 | 56002701 | 10 | Nut Hex Nyl Loc 5/16-18 |
| | 97 | 56015463 | 1 | Decal Coolant Level |
| | 98 | 56384956 | 1 | Clamp-Hose |
| | 99 | 56394369 | 1 | Trim-Edge-.25x2.00 |

Service Kits

| | | | |
|----|----------|---|--------------------------------|
| K1 | 56510795 | 1 | Hardware Kit-Engine System LPG |
| K2 | 56384018 | 1 | Wire Harness Guard Kit |

[] = Not Shown