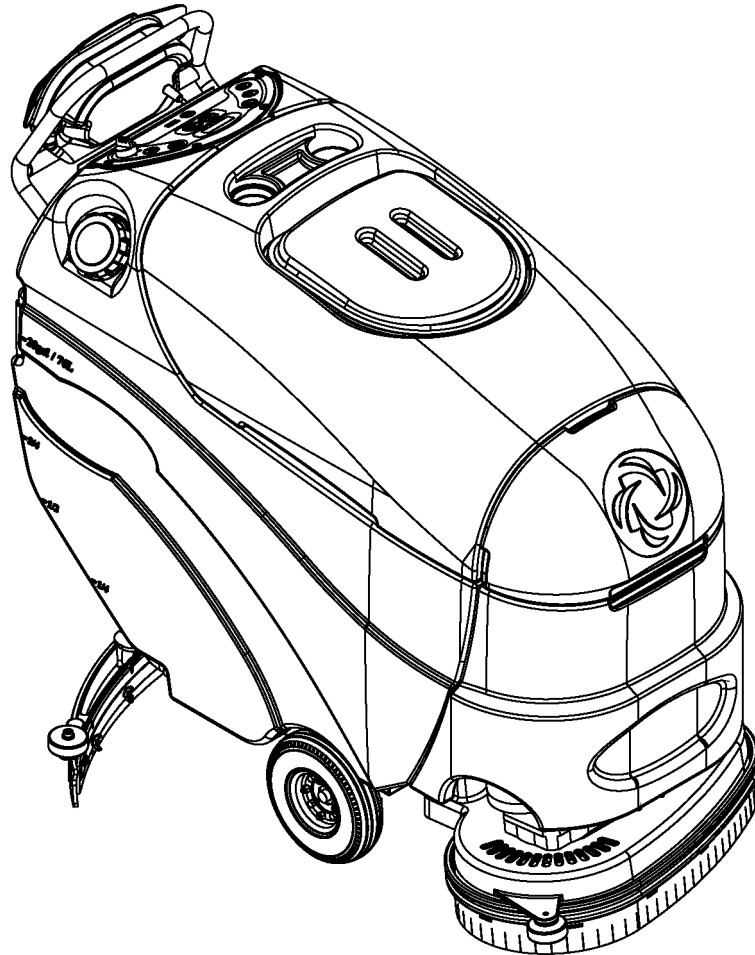


# Convertamatic™

---



## Parts List

**Advance Models: 56315000(24D-C), 56315001(26D), 56315002(28D), 56315003(24C-C), 56315004(28D-C), 56315005(28C-C), 56315006(X24D-C), 56315007(X24C-C), 56315008(26D-C), 56315009(X26D-C), 56315010(26C-C), 56315011(X26C-C), 56315012(X28D-C), 56315013(X28C-C), 56315804(32D-C) 56315805(X32D-C)**



**Advance**  
*by Nilfisk-Advance*

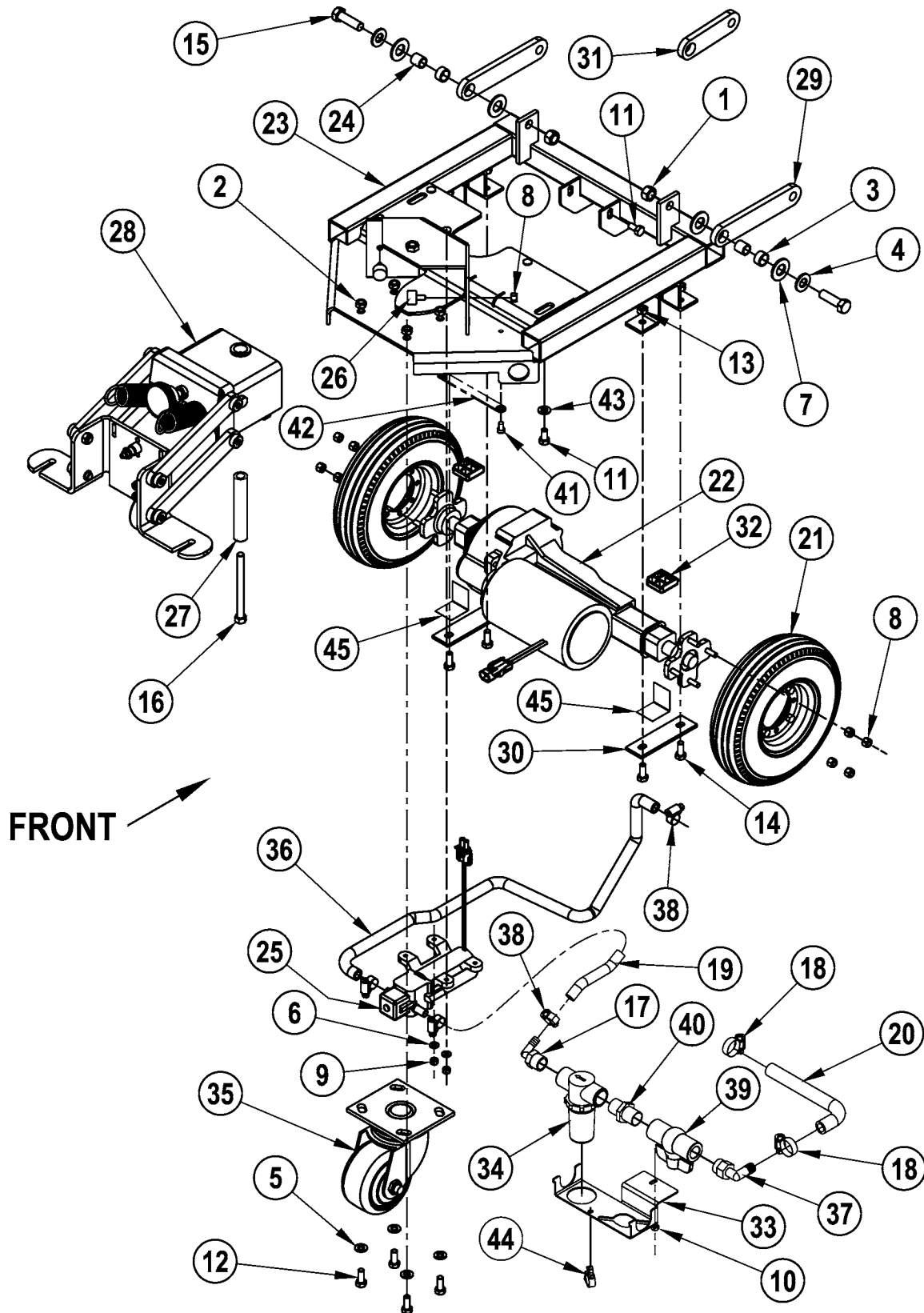


<b>DESCRIPTION</b>	<b>PAGE</b>
Chassis System .....	2-3
Chassis System (squeegee linkage assy before SN1915725).....	4-5
Chassis System (squeegee linkage assy after SN1915724).....	6-7
Decal System.....	8-9
Recovery System.....	10-11
Scrub System-Disk (24", 26", 28") .....	12-13
Scrub System-Disk (32").....	14-15
Scrub System-Cylindrical.....	16-17
Solution System / Electrical-1 .....	18-19
Solution System / Electrical-2.....	20-21
Chemical Assembly (AXP Models Only).....	22-23
Paddle Assembly .....	24-25
Squeegee Assembly .....	26-27
Wiring Diagram .....	28-29
Optional Kits & Accessories.....	30
Brush Selector Guide-Disk .....	31
Brush Selector Guide-Cylindrical .....	32

#### WHEN ORDERING PARTS

- \* Use the 8 digit numbers from the "Ref. No." columns in this parts list.
- \* Specify the model and serial number of the machine.
- \* Use the space below to record the model and serial number for future reference.

Model \_\_\_\_\_ Serial No. \_\_\_\_\_



Item	Ref. No.	Qty	Description
1	56003312	2	Nut, Hex Nyl Loc M12-1.75
2	56003389	4	Nut, Hex Nyl Loc M8-1.25
3	56370878	2	Bearing, Sleeve
4	56001879	2	Wsh, Flt SAE 1/2
5	56001939	4	Wsh, Flt SAE 5/16
6	56001954	2	Wsh, Flt SAE #10
7	56002022	4	Wsh, Flt SAE 5/8
8	56002708	10	Nut, Hex Nyl Loc 1/4-20
9	56002768	2	Nut, Hex Nyl Loc 10-24
10	56002832	1	Nut, Hex Nyl Loc-Thin 10-24
11	56003012	3	Scr, Hex Hd SS 5/16-18x.75
12	56003179	4	Scr, Hex Thd To Hd M8-1.25x20mm
13	56003405	4	Nut, Hex Nyl Loc SS M8x1.25
14	56003435	4	Scr, Hex Hd SS 8-1.25x20mm
15	56003637	2	Scr, Hex M12-1.75x40mm
16	56009241	1	Scr, Hex Hd 3/8-16x4.25
17	56900033	1	Barb, 90 Elbow 3/8 X 1/2 NPT
18	56219932	2	Clamp, Hose SAE #6
19	56244991	1	Hose, PVC .375
20	56262180	1	Hose, Spiral .500
21	56315115	2	Wheel, Drive <b>TSBUS2006-941</b>
22#	56315062	1	Transaxle, 24V ( <b>M1</b> ) <b>TSBUS2008-1014</b>
*	56315377	1	Motor
*	56315378	4	Carbon Brush
*	56315379	2	Neoprene Mounting Sleeve
*#	56380503	A/R	Kit, Hub, Transaxle 24V
23	56315076	1	Weldment, Chassis <b>TSBUS2005-895</b>
24	56315080	2	Bushing
25#	56315108	1	Pump, 24VDC ( <b>M8</b> )
26	56315111	2	Cylindrical Mount
27	56315154	1	Bushing, Spacer
28	56315165	1	Assembly, Squeegee Linkage
29	56315179	2	Linkage Arm
30#	56315234	2	Plate <b>NOTE 1</b>
#	56380499	2	Plate, Transaxle <b>NOTE 2</b>
31#	56315239	1	Linkage Arm <b>only used before May 2007</b>
32	56315258	2	Shim
33	56315260	1	Bracket, Filter Mount
34	56315296	1	Solution Filter
35	56365555	1	Caster Swivel 4.0 x 2.0
36	56391802	1	Hose, Spiral .375
37	56409152	1	Barb, 90 Elbow 1/2 X 1/2npt
38	56756364	4	Clamp, Hose SAE #4
39	56315607	1	Ball Valve
40	56412182	1	Nipple, Hex 3/4-14
41	56009030	1	Scr, Pan Phil Thd Form 10-24 x .38
42	56467544	1	Chain
43	56002220	2	Wsh, Flt STD 5/16
44	56900756	1	Clip, Conduit
45#	56380496	2	Shim, Transaxle Angle <b>NOTE 3</b>

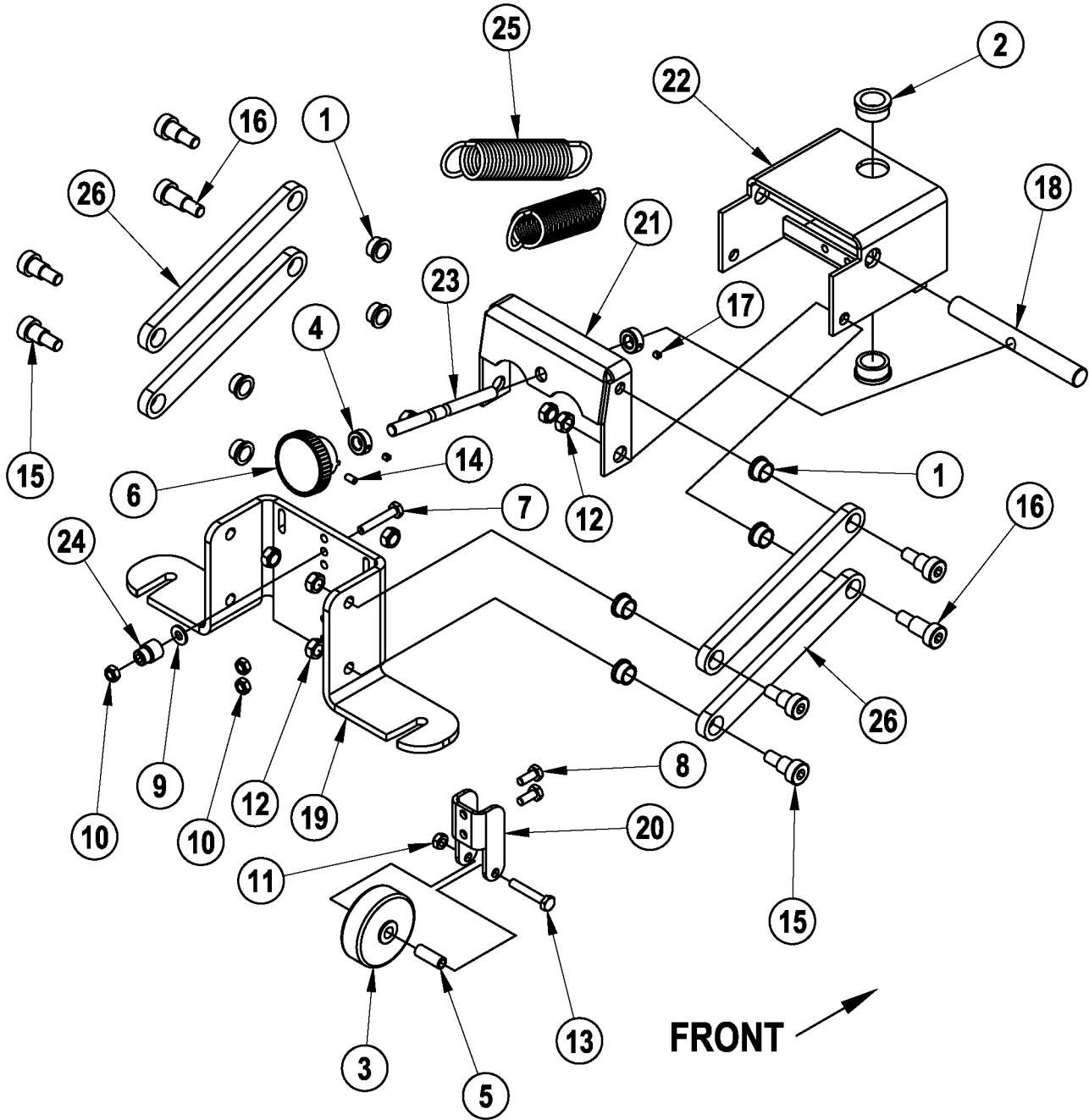
# = Revised or new since last update

\* = Not Shown

**NOTE 1:** Used on Convertamatic 26D before SN 2059972 and all other models before SN 2062812.**NOTE 2:** Used on Convertamatic 26D after SN 2059972 and all other models after SN 2062812.**NOTE 3:** Only used on machines between the following serial numbers;

Convertamatic 26D - between SN 2059972 &amp; 2063621.

All models except Convertamatic 26D – between SN 2062812 &amp; 2063621.



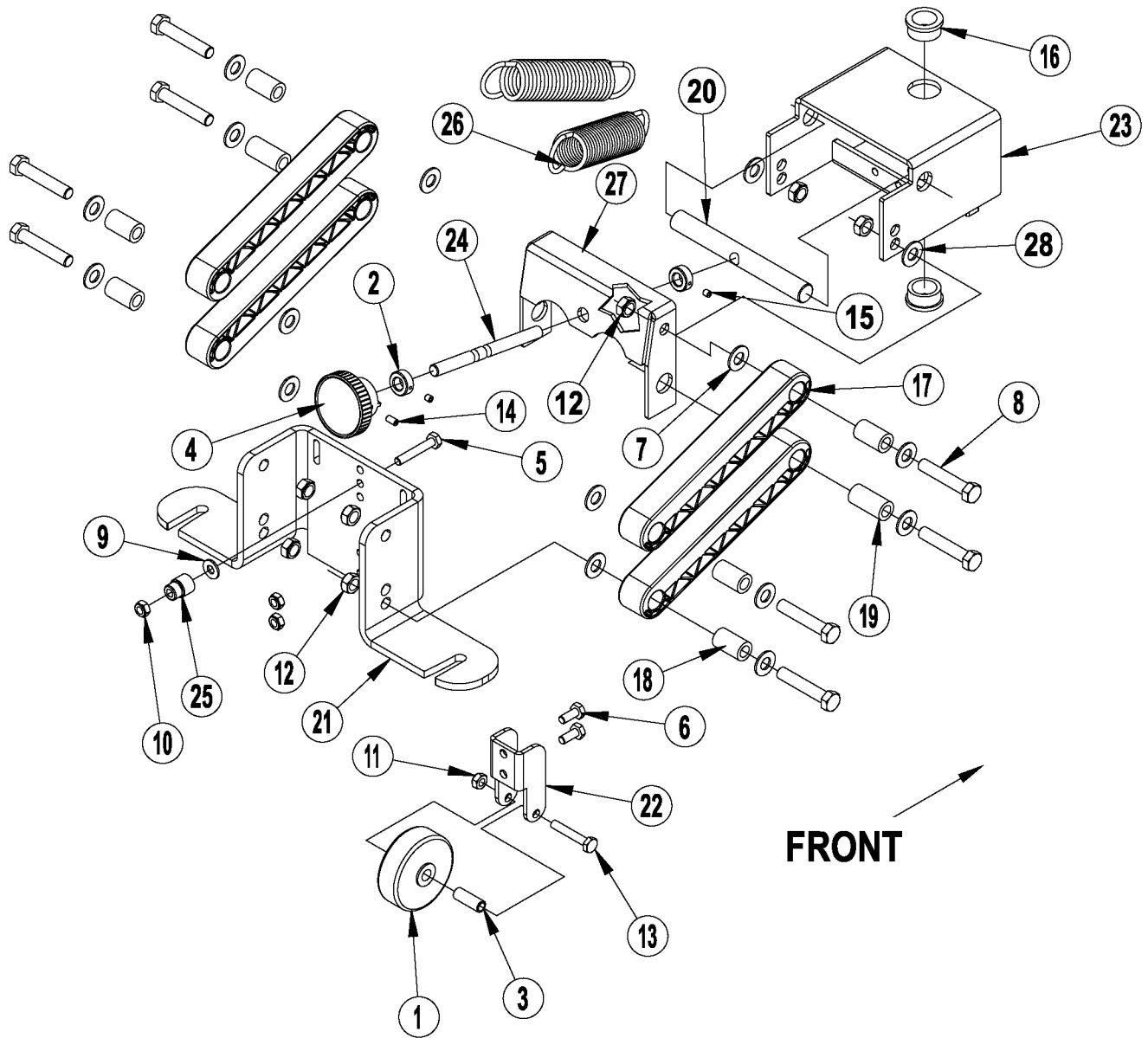
04-11

**CHASSIS SYSTEM (squeegee linkage assy before SN1915725)**

08-4

**Convertamatic™****5**

Item	Ref. No.	Qty	Description
	56315165	1	Squeegee Linkage Assembly
1	56185264	8	Bearing, Flange
2	56250414	2	Bearing, Flange
3	56324350	1	Wheel
4	56331076	2	Collar
5	56471220	1	Bushing
6	56475480	1	Knob
7	56001833	1	Scr, Hex Hd 1/4-20x1.50
8	56001836	2	Scr, Hex Hd 1/4-20x.62
9	56002098	1	Wsh, Flt SAE 1/4
10	56002840	3	Nut, Hex Nyl Loc-Thin 1/4-20
11	56002850	1	Nut, Hex Nyl Loc-Thin SS 1/4-20
12	56002852	8	Nut, Hex Nyl Loc-Thin SS 3/8-16
13	56002901	1	Scr, Hex Hd SS 1/4-20x1.50
14	56003123	1	Scr, Soc Set 10-24x.38
15	56003682	6	Scr, Soc Shd .50 X .50 X 3/8-16
16	56003692	2	Scr, Soc Shd .50 X .75 X 3/8-16
17	56009084	2	Scr, Soc Set Loc 10-24x.19
18	56315082	1	Pin
19	56315151	1	Bracket, Squeegee Mount
20	56315153	1	Bracket, Wheel
21	56315180	1	Bracket, Squeegee Level
22	56315196	1	Weldment, Squeegee
23	56315240	1	Rod, Adjustment
24	56315245	1	Bushing, Squeegee Cable
25	56315295	2	Spring, Extension
26	56315338	4	Linkage Arm





04-11

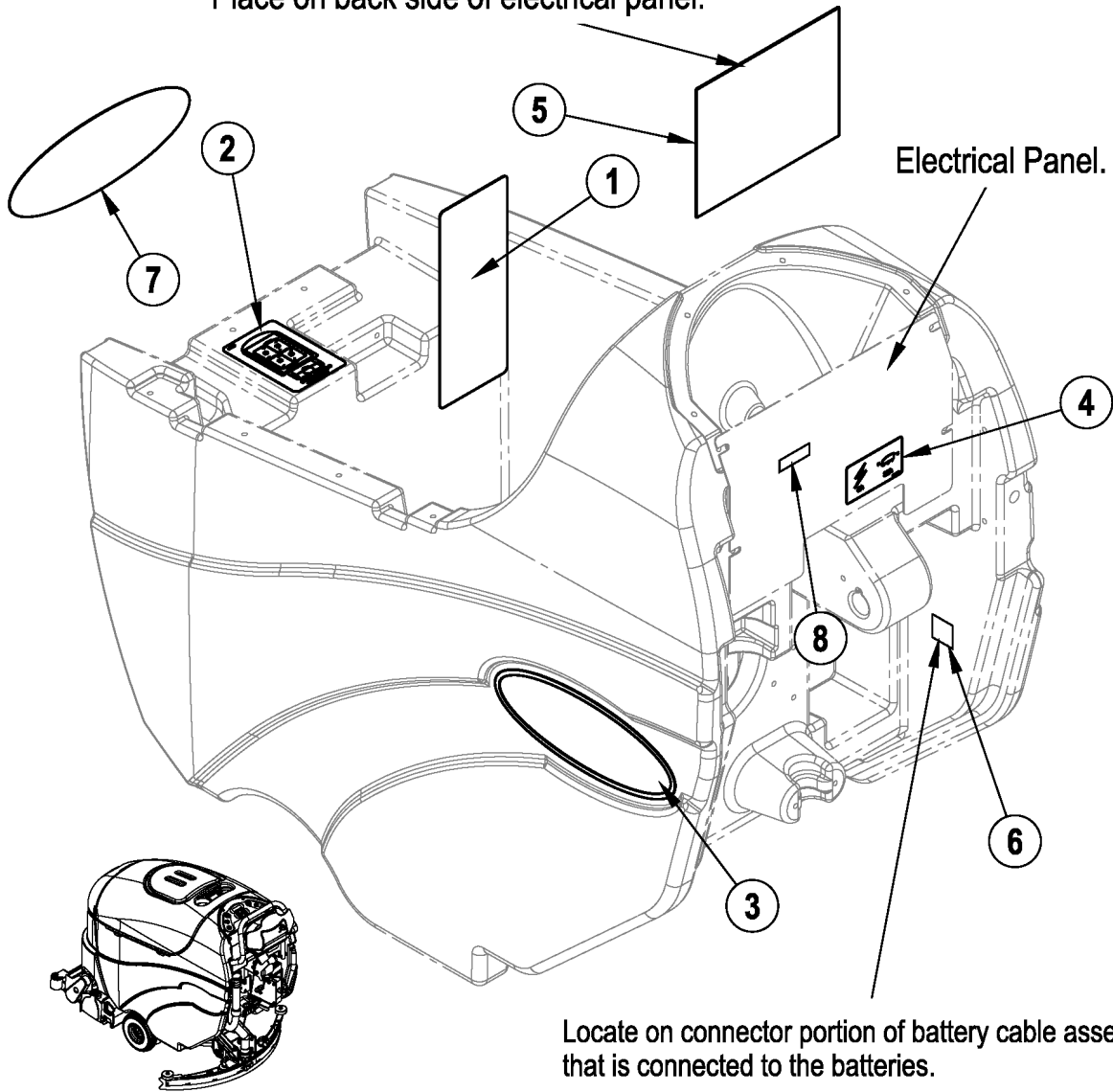
**CHASSIS SYSTEM (squeegee linkage assy after SN1915724)**

08-4

**Convertamatic™****7**

Item	Ref. No.	Qty	Description
	56315165	1	Squeegee Linkage Assembly
1	56324350	1	Wheel
2	56331076	2	Collar
3	56315580	1	Bushing
4	56475480	1	Knob
5	56001833	1	Scr, Hex 1/4-20 X 1.50
6	56001836	2	Scr, Hex 1/4-20 X .62
7	56002063	14	Wsh, Flt SAE 3/8
8	56002091	8	Scr, Hex 3/8-16 X 2.00
9	56002098	1	Wsh, Flt SAE 1/4
10	56002840	3	Nut, Hex Nyl Loc-Thin 1/4-20
11	56002850	1	Nut, Hex Nyl Loc-Thin SS 1/4-20
12	56002852	8	Nut, Hex Nyl Loc-Thin SS 3/8-16
13	56002901	1	Scr, Hex SS 1/4-20 X 1.50
14	56003123	1	Scr, Soc Set 10-2 4x .38
15	56009084	2	Scr, Soc Set Loc 10-24 X .19
16	56250414	2	Bearing, Flange
17	56315941	4	Linkage Arm, Molded
18	56315067	6	Spacer, Phenolic
19	56315068	2	Spacer, Phenolic
20	56315082	1	Pin
21	56315151	1	Bracket, Squeegee Mount
22	56315153	1	Bracket, Wheel
23	56315196	1	Weldment, Squeegee
24	56315240	1	Rod, Adjustment
25	56315245	1	Bushing, Squeegee Cable
26	56315295	2	Spring, Extension
27	56315713	1	Bracket, Squeegee Level
28	56002940	2	Wsh, Flt SAE SS 5/8

Place on back side of electrical panel.



04-11

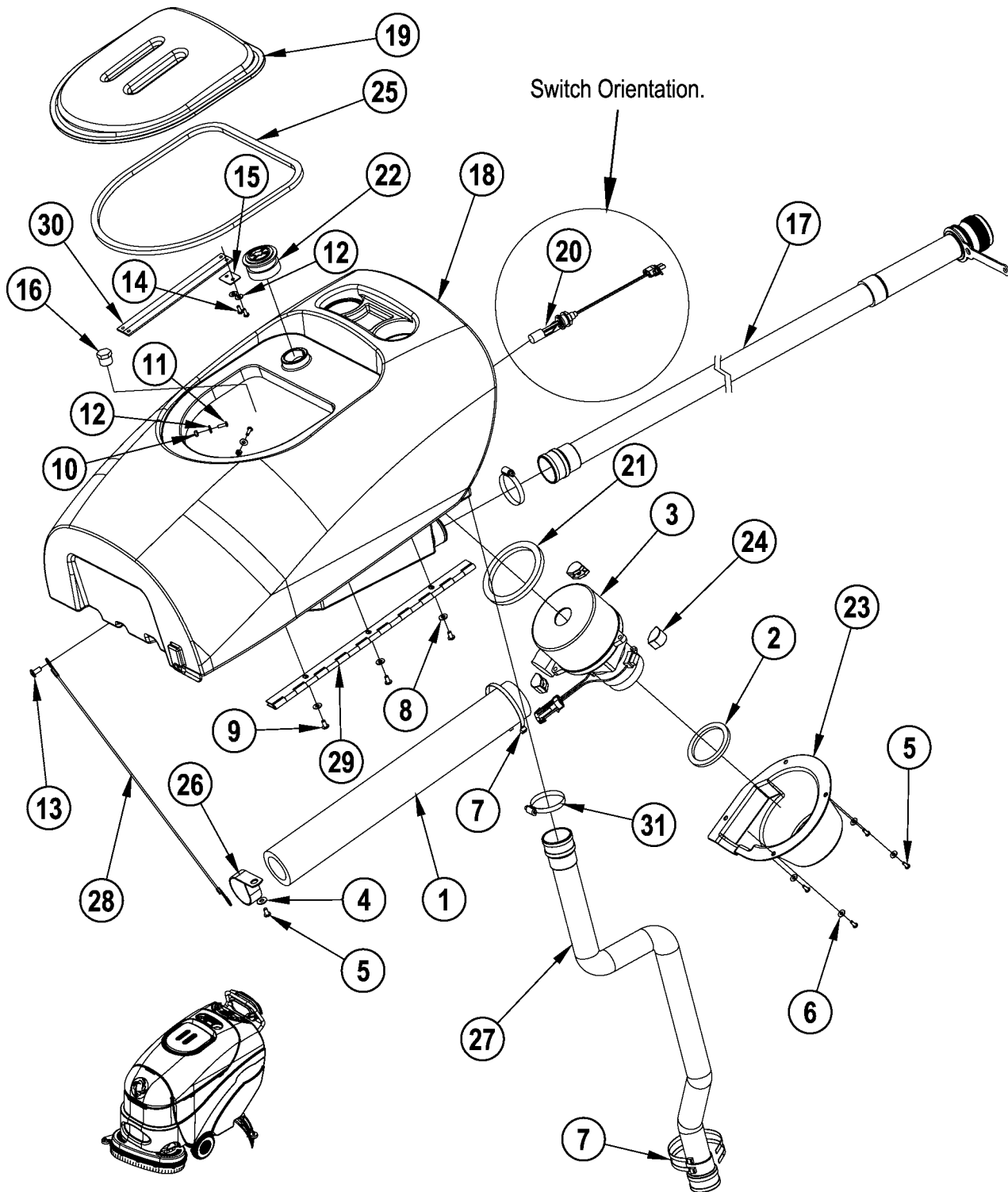
**DECAL SYSTEM**

08-4

**Convertamatic™**

**9**

Item	Ref. No.	Qty	Description
1	56014601	1	Decal, Caution
2	56016688	1	Decal, Battery Wiring
3	56016689	2	Decal, Convertamatic
	56315706	2	Decal, Convertamatic AXP
4	56016690	1	Decal, Circuit Breaker
5	56016691	1	Decal, Ladder Diagram
6	56054192	1	Decal, Charger
7	56016349	1	Decal, Advance
8	56014450	1	Decal, Patent Number



04-11	<b>RECOVERY SYSTEM</b>		
08-9	<b>Convertamatic™</b>		<b>11</b>

Item	Ref. No.	Qty	Description
1	56315375	1	Foam, Acoustical
2	56412154	1	Gasket, Vacuum Duct
3	56412218	1	Motor, Vac 24vdc <b>(M4)</b>
*	56397098	1	Carbon Brush set of 2 <b>(for 56412218)</b>
4	56001906	1	Wsh, Flt STD 1/4
5	56001993	5	Scr, Pan Phil 10-24x.50
6	56002053	4	Wsh, Flt STD #10
7	56477613	3	Tie, Cable
8	56002098	3	Wsh, Flt SAE 1/4
9	56002145	3	Scr, Pan Phil 1/4-20x.50
10	56002849	2	Nut, Hex Nyl Loc-Thin SS 10-24
11	56002896	2	Scr, Pan Phil SS 10-24x.62
12	56002919	4	Wsh, Flt STD SS #10
13	56003003	1	Scr, Pan Phil 5/16-18x.62
14	56009005	2	Scr, Pan Phil SS Type B 10-16 x .75
15	56315346	1	Plate
16	56305464	1	Plug, 3/4 Hex Pipe <b>NOTE 1</b>
17	56601400	1	Drain Hose <b>NOTE 2</b>
**#	56601410	1	Drain Hose Extension (for use with 56601400)
*	56601411	1	Drain Hose Cap Kit
*	56601412	1	Drain Hose Kit <b>NOTE 2</b>
18	56315779	1	Tank, Recovery
19	56315176	1	Cover, Recovery Tank
20	56315096	1	Switch, Electromagnetic <b>(S4)</b>
21	56315098	1	Gasket
22	56315099	1	Screen, Fan Inlet
23	56315102	1	Shroud, Vac Motor
24	56315141	3	Mount, Vibration
25	56315220	1	Gasket, Recovery Lid
26	56315257	1	Clamp, P
27	56315268	1	Vac Hose Assy.
28	56315272	1	Cable Assy
29	56315293	1	Hinge
30	56315303	2	Retaining, Strap
31	56440213	2	Clamp, Hose SAE #32

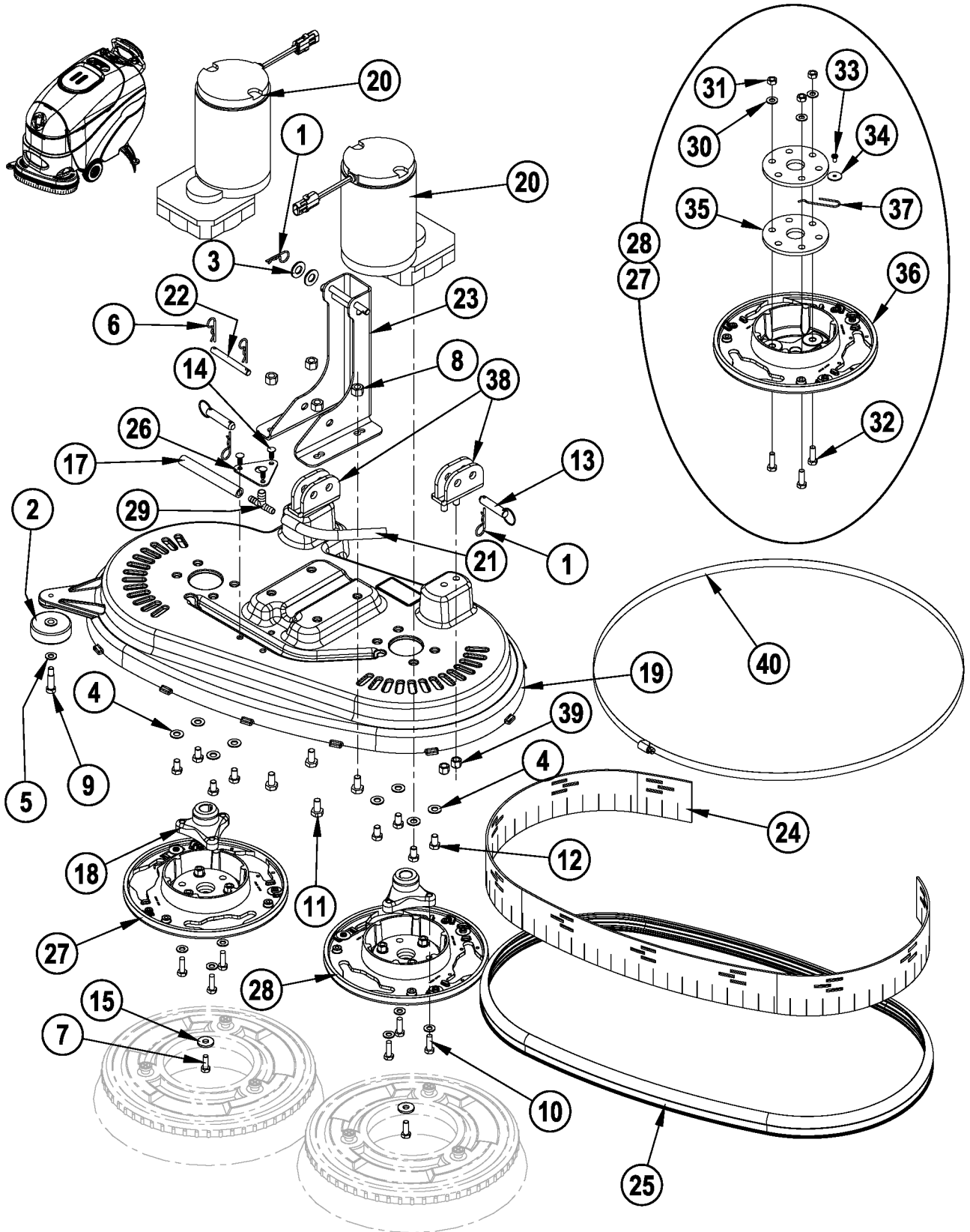
\* = Not Shown

\*\* = Optional

# = Revised or new since last update

**NOTE 1:** Not used after March 2008.

**NOTE 2:** Drain Hose 56397142 has been replaced by Drain Hose 56601400 in production. When replacing 56397142 you need to order Drain Hose Kit 56601412.



Item	Ref. No.	Qty	Description	Item	Ref. No.	Qty	Description
1#	56002959	3	Pin, Cotter Hair <b>NOTE 3</b>	23	56315718	1	Weld't, Deck Actuator (24", 26") <b>NOTE 2</b>
2	56324350	1	Wheel				<b>NOTE 3</b>
3#	56001879	2	Wsh, Flt SAE 1/2 <b>NOTE 3</b>		56315719	1	Weld't, Deck Actuator (28") <b>NOTE 2</b>
4	56002910	8	Wsh, Flt SAE SS 3/8				<b>NOTE 3</b>
5	56002938	7	Wsh, Flt SAE SS 5/16	24	56315275	1	Skirt, Rubber (26")
6	56003120	2	Pin, Cotter Hair .0915 X .375		56315274	1	Skirt, Rubber (24", 28")
7	56003335	2	Scr Hex Loc SS 5/16-18 X .88	25	56315754	1	Bumper, Extruded (28") <b>NOTE 4</b>
8	56003438	4	Nut, Hex Nyl Loc SS M10x1.5		56315753	1	Bumper, Extruded (26") <b>NOTE 4</b>
9	56003472	1	Scr, Soc Shd .38 X 1.00 X 5/16-18		56315752	1	Bumper, Extruded (24") <b>NOTE 4</b>
10	56003477	6	Scr, Hex Loc SS M8-1x25mm	26	56315339	1	Bracket
11	56003533	4	Scr, Hex Hd SS M10-1.5x20mm	27	56396080	1	Lug, Counterclockwise (30-37)
12	56003674	8	Scr Hex Loc SS 3/8-24 X .62	28	56396081	1	Lug, Clockwise (30-37)
13	56003679	2	Pin, Ring .50 X 1.63	29	56397300	1	Tee, Barb <b>NOTE 1</b>
14	56003693	3	Rivet, Nylon Tree Push-In (.218)	30	56002938	3	Wsh, Flt SAE SS 5/16
15	56009107	2	Wsh, Flt SS .378 X 1.000 X .120	31	56003405	3	Nut, Hex Nyl Loc SS M8-1.25
17	56257534	1	Hose, PVC .375	32	56003436	3	Scr, Hex Hd SS M8-1.25 x 25mm
18	56314108	2	Hub, Drive	33	56009030	1	Scr, Pan Phil Thd Form 10-24 x .38
19	56315588	1	Scrub Deck, Disc, Cast, 28 <b>NOTE 2</b>	34	56009096	1	Wsh, Flt .193 x .875 x .060
	56315587	1	Scrub Deck, Disc, Cast, 26 <b>NOTE 2</b>	35	56407053	2	Thermoid Disk
	56315586	1	Scrub Deck, Disc, Cast, 24 <b>NOTE 2</b>	36	56314030	1	Brush Holder
20	56315056	2	Asm, Motor And Gear Unit, .42hp (M2 / M3)	37	56397081	1	Spring Retainer
*	56315376	4	Carbon Brush	38	56315373	2	Weld't, Deck Mount Brkt <b>NOTE 2</b>
*	56397138	4	Brush Spring	39	56002769	4	Nut, Hex Nyl Loc 3/8-16 <b>NOTE 2</b>
21	56315060	1	Hose, PVC .375	40	56315759	1	Band Clamp (28")
22	56315161	1	Pin		56315742	1	Band Clamp (24", 26")

# = Revised or new since last update

\* = Not Shown

**NOTE 1:** The previous solution hose design which consisted of a Reducer (56418669), Hose Clamps (56219932) and a smaller 3/8" diameter Hose (56456830) to the scrub deck has been replaced in production with a single 1/2" diameter hose (56264318). If ordering Tee 56397300 for a machine with this previous design solution hose you will also need to order Solution Hose 56264318. See **NOTE 1** on **SOLUTION SYSTEM / ELECTRICAL-1**.

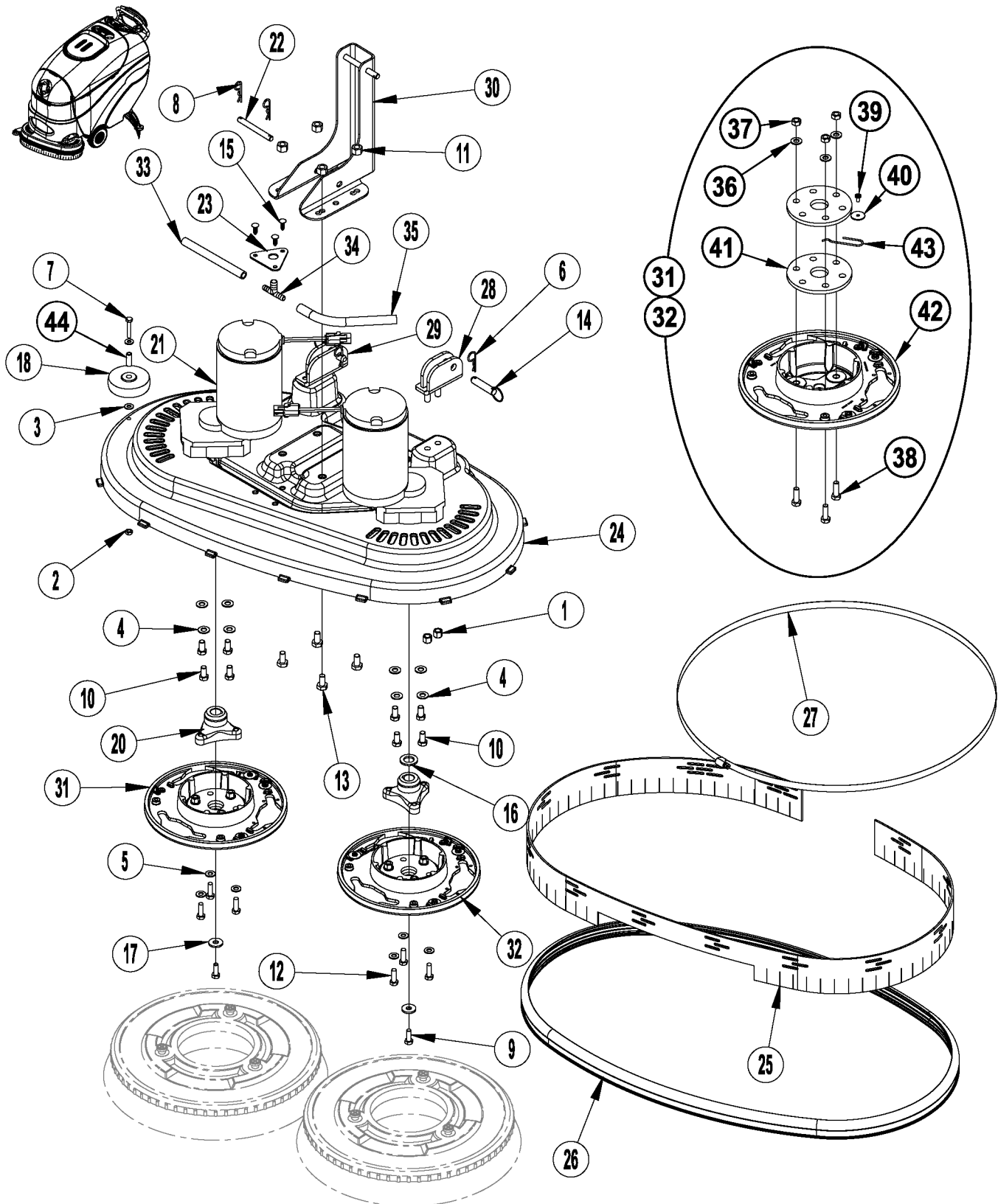
**NOTE 2:** The Deck Casting (item #19) has been redesigned. The old style castings (56315053 - 28", 56315054 - 26" & 56315055 - 24") are no longer available. If you have a machine built prior to this change (**old style deck assembly DOES NOT include item 38**) and need to replace one of these deck castings you need to order one of the kits listed below. These kits include items (8, 11, 14, 19, 23, 38, 39).

Old Deck	Order Kit
56315053 (28")	56315727
56315054 (26")	56315726
56315055 (24")	56315725

**#NOTE 3:** Actuator Weldment Item #23 has been redesigned (in April of 2007) to accommodate a new upper deck linkage arm (see **Solution System / Electrical-1**). The redesigned weldment is backwards compatible to the previous design. The new design does not use item #3 and the quantity of item #1 is reduced to 2.

**NOTE 4:** Extruded Bumpers PNs **56315318, 56315277 & 56315276** are obsolete. If you need to replace one of these bumpers please order one of the kits listed below.

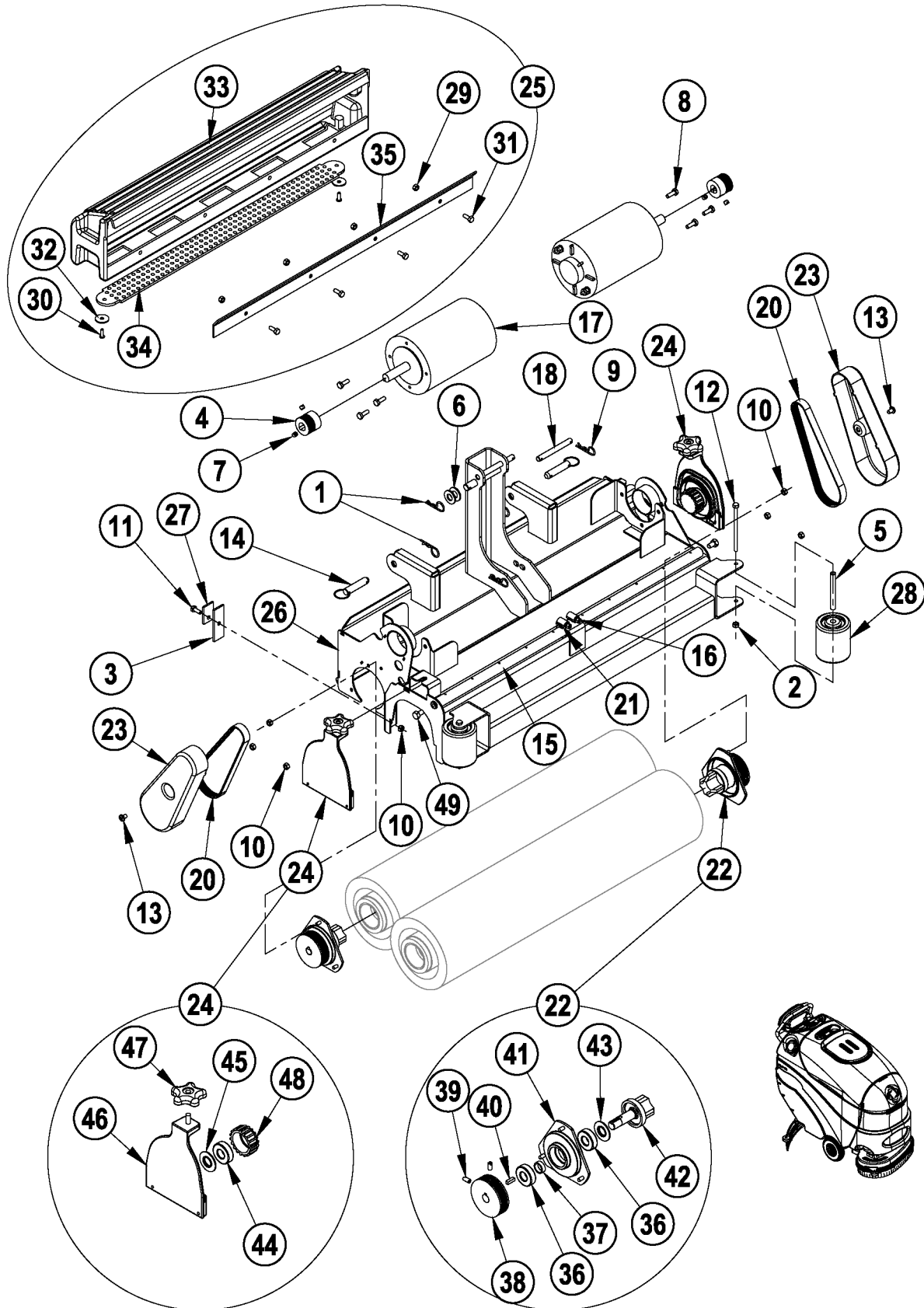
Old Bumper	Order Kit
56315318 (28")	56315764
56315277 (26")	56315763
56315276 (24")	56315762





Item	Ref. No.	Qty	Description
1	56002769	4	Nut, Hex Nyl Loc 3/8-16
2	56002850	1	Nut, Hex Nyl Loc-Thin SS 1/4-20
3	56002859	2	Wsh, Flt SAE SS 1/4
4	56002910	8	Wsh, Flt SAE SS 3/8
5	56002938	6	Wsh, Flt SAE SS 5/16
6	56002959	2	Pin, Cotter Hair
7	56002880	1	Scr, Hex Loc SS 1/4-20 X 1.75
8	56003120	2	Pin, Cotter Hair .0915 X .375
9	56003335	2	Scr, Hex Loc SS 5/16-18 X .88
10	56003338	8	Scr, Hex Loc SS 3/8-16 X .75
11	56003438	4	Nut, Hex Nyl Loc SS M10-1.5
12	56003477	6	Scr, Hex Loc SS M8-1 X 25mm
13	56003533	4	Scr, Hex SS M10-1.5 X 20mm
14	56003679	2	Pin, Ring .50 X 1.63
15	56003693	3	Rivet, Nylon Tree Push-In (.218)
16	56009022	1	Wsh, Flt .754 X 1.250 X .120
17	56009107	2	Wsh, Flt SS .378 X 1.000 X .120
18	56049261	1	Wheel
20	56314108	2	Hub, Drive
21	56315056	2	Asm, Motor And Gear Unit, .42HP (M2 / M3)
*	56315376	4	Carbon Brush
*	56397138	4	Brush Spring
22	56315161	1	Pin
23	56315339	1	Bracket
24	56315859	1	Scrub Deck, Disc, Cast, 32"
25	56315626	1	Skirt, Rubber 32"
26	56315755	1	Extruded Bumper, 32" Deck
27	56315761	1	Band Clamp, Adjustable
28	56315821	1	Deck Mount Brkt Weldt, Lhs
29	56315823	1	Deck Mount Brkt Weldt, Rhs
30	56315826	1	Bracket Weld't
31	56396080	1	Lug, Counterclockwise (36-43)
32	56396081	1	Lug, Clockwise (36-43)
33	56396195	1	Hose, PVC .38id X 6.00
34	56397300	1	Tee, Barb
35	56397301	1	Hose, PVC .375
36	56002938	3	Wsh, Flt SAE SS 5/16
37	56003405	3	Nut, Hex Nyl Loc SS M8-1.25
38	56003436	3	Scr, Hex Hd SS M8-1.25 x 25mm
39	56009030	1	Scr, Pan Phil Thd Form 10-24 x .38
40	56009096	1	Wsh, Flt .193 x .875 x .060
41	56407053	2	Thermoid Disk
42	56314030	1	Brush Holder
43	56397081	1	Spring Retainer
44	56315580	1	Bushing, Stainless

\* = Not Shown



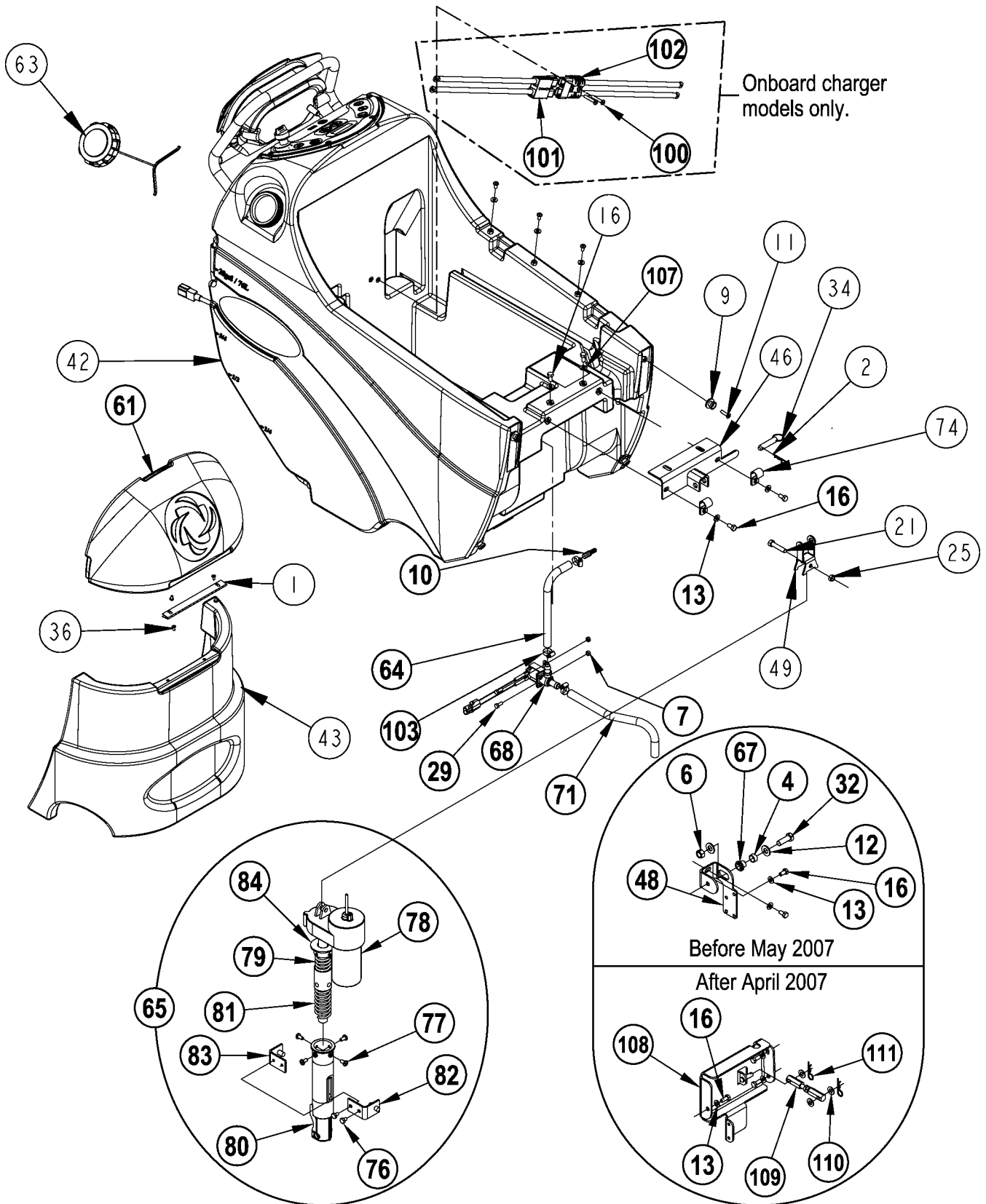
Item	Ref. No.	Qty	Description	Item	Ref. No.	Qty	Description
1#	56002959	3	Pin, Cotter Hair <b>NOTE 2</b>	27	56410214	2	Strap
2	56003403	2	Nut, Hex Nyl Loc M6-1.00	28	56412459	2	Wheel
3	56407391	2	Blade	29	56003426	4	Nut, Hex Nyl Loc SS M6-1.00
4	56407433	2	Sheave, Poly-V	30	56002896	2	Scr, Pan Phil SS 10-24 x .62
5	56412176	2	Bushing	31	56003431	4	Scr, Hex Hd SS M6-1.00 x 16mm
6#	56001879	6	Wsh, Flt SAE 1/2 <b>NOTE 2</b>	32	56009060	2	Wsh, Flt SS .260 x 1.00 x .074
7	56002086	4	Scr, Soc Set Loc 5/16-18x.25	33	56315460	1	Hopper (28")
8	56002948	6	Scr, Hex Hd Loc 1/4-20x.75		56315454	1	Hopper (26")
9	56003120	2	Pin, Cotter Hair .0915 X .375		56315401	1	Hopper (24")
10	56003426	8	Nut, Hex Nyl Loc SS M6x1.0	34	56315464	1	Hopper Screen (28")
11	56003431	2	Scr, Hex Hd SS M6-1.0x16mm		56315462	1	Hopper Screen (26")
12	56003492	2	Scr, Hex M6-1.0x95mm		56315319	1	Hopper Screen (24")
13	56003603	2	Scr, Pan Phil Thd Form 1/4-20x.38	35	56315467	1	Hopper Bracket (28")
14	56003679	2	Pin, Ring .50 X 1.63		56315466	1	Hopper Bracket (26")
15	56315355	2	Manifold, PVC (28")		56315465	1	Hopper Bracket (24")
	56315354	2	Manifold, PVC (26")	36	56106070	2	Bearing, Ball
	56315353	2	Manifold, PVC (24")	37	56407389	1	Spacer
16	56112771	2	Clamp, Hose SAE #10	38	56407442	1	Sheave, Poly-V
17	56315061	2	Motor, 24 Vdc, .5 Hp, 1800 RPM (M2 / M3)	39	56002119	2	Scr, Soc Set Loc 1/4-20 x .50
*	56412287	1	Brush / Spring Kit	40	56003237	1	Key, Sq. .19 x .62
18	56315161	1	Pin	41	56315405	1	Bearing Plate
19	56315320	2	Harness, Brush	42#	56109527	1	Spindle
20	56315321	2	Belt, Auto Tension	43	56407558	1	Washer, Bearing
21	56262549	1	Tee, Barb <b>NOTE 1</b>	44	56106070	1	Bearing, Ball
22	56315408	2	Drive End Assy (#36-43)	45	56407558	1	Washer, Bearing
23	56315445	2	Cover, Belt	46	56315447	1	Idler Bearing Plate
24	56315448	2	Idler End Assy (#44-48)	47	56396254	1	Knob
25	56315459	1	Hopper Assembly (28" / #29-35)	48	56407551	1	Hub
	56315453	1	Hopper Assembly (26" / #29-35)				
	56315403	1	Hopper Assembly (24" / #29-35)				
26	56315470	1	Housing, Weld't (28")				
	56315469	1	Housing, Weld't (26")				
	56315468	1	Housing, Weld't (24")				

# = Revised or new since last update

\* = Not Shown

**NOTE 1:** The previous solution hose design which consisted of a Reducer (56418669), Hose Clamps (56219932) and a smaller 3/8" diameter Hose (56456830) to the scrub deck has been replaced in production with a single 1/2" diameter hose (56264318). If ordering Tee 56262549 for a machine with this previous design solution hose you will also need to order Solution Hose 56264318. See **NOTE 1** on **SOLUTION SYSTEM / ELECTRICAL-1**.

**NOTE 2:** Housing Weldment Item #26 has been redesigned (in April of 2007) to accommodate a new upper deck linkage arm (see **Solution System / Electrical-1**). The redesigned weldment is backwards compatible to the previous design. On machines with the new design the quantity of item #1 is reduced to 2 and the quantity of item #6 is reduced to 4.



Item	Ref. No.	Qty	Description
1	56315285	1	Hinge
2	56002959	1	Pin, Cotter Hair
4#	56370878	1	Bearing, Sleeve <b>only used before May 2007</b>
6#	56003312	1	Nut, Hex Nyl Loc M12-1.75 <b>only used before May 2007</b>
7	56003403	2	Nut, Hex Nyl Loc M6-1.00
8			Deleted Intentionally
9	56365777	4	Lug, Brush Driver
10	56418669	1	Reducer, Barb
11	56001832	4	Scr, Flt Phil 1/4-20x1.00
12	56001879	2	Wsh, Flt SAE 1/2
13#	56001939	4	Wsh, Flt SAE 5/16 <b>QTY of 5 after April 2007</b>
16#	56002667	6	Scr, Hex Hd 5/16-18x.75 <b>QTY of 7 after April 2007</b>
21	56002684	1	Scr, Hex Hd 3/8-16x1.75
25	56002841	1	Nut, Hex Nyl Loc-Thin 3/8-16
26			Deleted Intentionally
27			Deleted Intentionally
29	56003174	2	Scr Hex Thd To Hd M6-1.0x16mm
32#	56003637	1	Scr, Hex M12-1.75x40mm <b>only used before May 2007</b>
33			Deleted Intentionally
34	56003679	1	Pin, Ring .50 X 1.63
36	56009139	4	Scr, Pan Phil Loc 10-24x.38
38			Deleted Intentionally
42	56315089	1	Tank, Solution
**#	56109561	1	Solution Tank Kit <b>NOTE 3</b>
43	56315104	1	Nose Cone, 24-26 Commercial
46	56315130	1	Weldment, Actuator Mount
48#	56315186	1	Bracket, Linkage Pivot <b>only used before May 2007</b>
49	56315191	1	Yoke, Actuator
61	56315284	1	Cover, Chemical Bottle
63	56109519	1	Cap, Raw W/Tether <b>NOTE 2</b>
64	56387302	1	Spiral, Hose X .500
65	56396049	1	Lift Actuator Assembly (76-84)
67#	56315380	1	Bushing <b>only used before May 2007</b>
68	56397203	1	Solenoid Valve Assy. (L1)
71	56264318	1	Hose, Spiral .500 <b>NOTE 1</b>
74	56469380	2	Clamp, P
76	56009019	2	Scr, Hex Thd Form 1/4-20 X .38
77	56009062	4	Scr, Pan Phil Thd Form 1/4-20 X .50
78	56393303	1	Actuator, Motor (M5)
*#	56388520	1	Plastic Nut (for use on 56393303)
79	56412071	1	Compression Spring
80	56412262	1	Housing, Spring
81	56420018	1	Compression Spring
82	56420019	1	Nut Retainer
83	56420020	1	Nut Retainer
84	56396268	1	Spring Housing Guide
100	56002786	2	Scr, Pan Phil 1/4-20 x 1.50 (onboard charger only)
101	56397188	1	Connector Assy (connected to batteries / onboard charger only)
102	56397187	1	Connector Assy (connected to machine / onboard charger only)
103	56219932	3	Clamp, Hose SAE #6
107	56009122	2	Wsh, Flt .344 x .938 x .125
108#	56315839	1	Bracket Weld't <b>only used after April 2007</b>
109#	56315836	1	Turnbuckle Assy <b>only used after April 2007</b>
110#	56002063	3	Wsh, Flt SAE 3/8 <b>only used after April 2007</b>
111#	56003120	2	Pin, Cotter Hair .0915 x .375 <b>only used after April 2007</b>

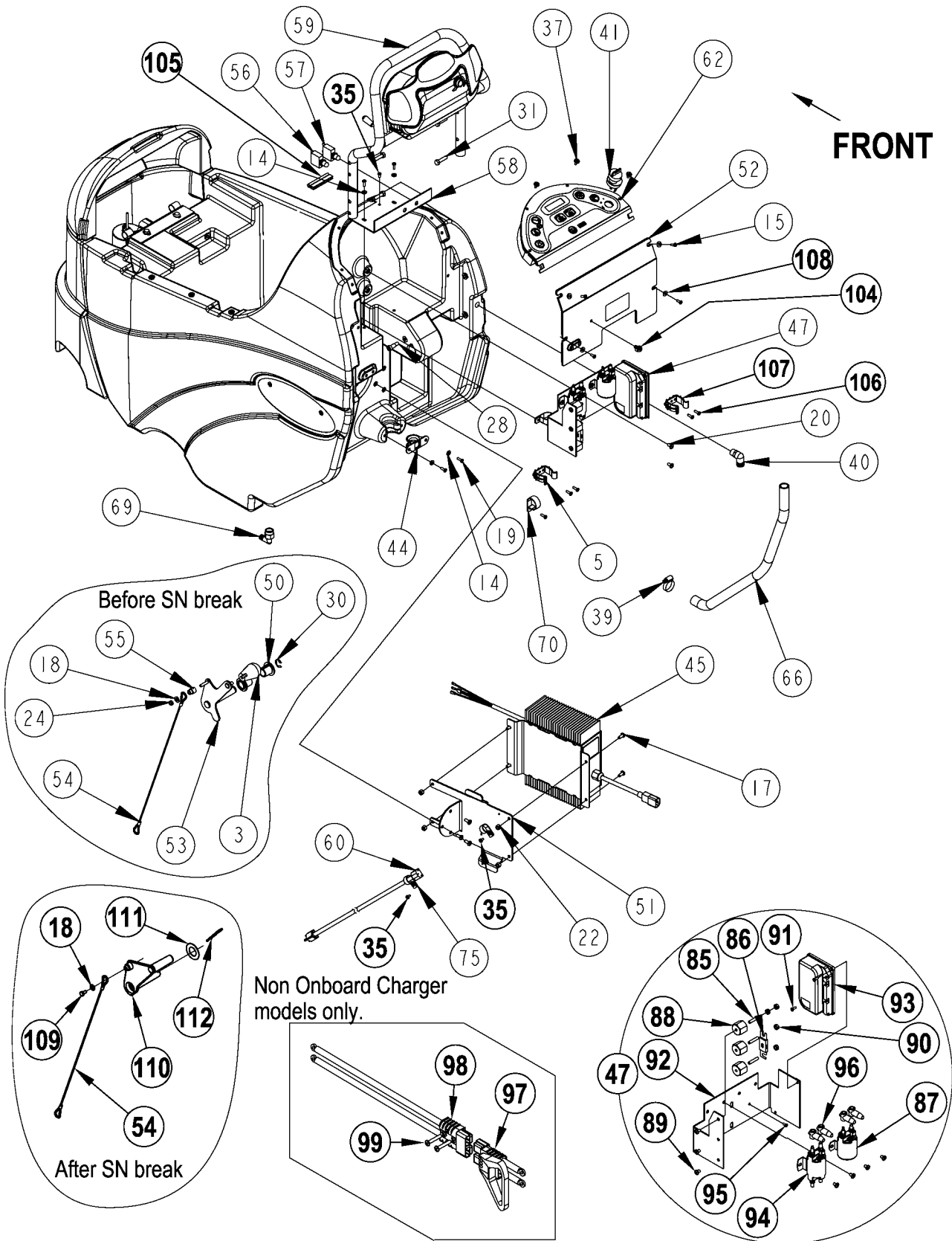
\* = Not Shown

# = Revised or new since last update

**NOTE 1:** The previous solution hose design which consisted of a Reducer (56418669), Hose Clamps (56219932) and a smaller 3/8" diameter Hose (56456830) to the scrub deck has been replaced in production with a single 1/2" diameter hose (56264318). If ordering this new hose (56264318) for a machine with the previous design you will also need to order a new Tee (56397300 for disc / 56262549 for cylindrical) for the scrub deck. See **NOTE 1** on **SCRUB SYSTEM – DISK (24", 26", 28")** and **SCRUB SYSTEM – CYLINDRICAL**.

**NOTE 2:** The previous Solution Tank Cap 56315517 is obsolete. The new Cap 56109519 can be used in place of the original.

**NOTE 3:** This solution tank kit is to be ordered if you need to replace a solution tank on a machine before serial number 2059967.





Item	Ref. No.	Qty	Description	Item	Ref. No.	Qty	Description
3#	56364527	1	Knob <b>NOTE 4</b>	58#	56109553	1	Plate, Circuit Breaker
5	56407361	1	Clamp, Plastic	59	56315266	1	Assembly, Paddle <b>TSBUS2005-898</b>
14#	56001954	4	Wsh, Flt SAE #10	60	56315270	1	Charger Cord, Us ( <b>Onboard Charger Only</b> )
15	56001993	4	Scr, Pan Phil 10-24x.50	62	56315297	1	Control Panel Assy ( <b>A1</b> ) <b>NOTE 1</b>
17	56002066	7	Scr, Pan Phil 1/4-20x.62 <b>(Onboard Charger Only)</b>	56315777	1	Control Panel Assy ( <b>A1</b> ) <b>NOTE 2</b>	
18	56002098	4	Wsh, Flt SAE 1/4	66	56396143	1	Hose, PVC
19	56002124	12	Scr, Pan Phil 10-24x.62	69	56409152	1	Barb, 90 Elbow 1/2 X 1/2NPT
20	56002145	5	Scr, Pan Phil 1/4-20x.50	70	56410166	2	Clamp, P
22	56002708	4	Nut, Hex Nyl Loc 1/4-20 <b>(Onboard Charger Only)</b>	72#			<b>Deleted</b>
23#			<b>Deleted</b>	75	56486112	2	Clamp, P ( <b>Onboard Charger Only</b> )
24#	56002840	1	Nut, Hex Nyl Loc-Thin 1/4-20 <b>NOTE 4</b>	85	56009203	3	Stud, 1/4-20
28#	56002962	1	Scr, Soc Shd .38 X .62 X 5/16-18 <b>NOTE 4</b>	86	56412089	1	Fuse, 150 Amp ( <b>F1</b> )
30#	56003266	1	Ring, Ret Ext Type E 0.75 Dia <b>NOTE 4</b>	87	56412179	1	Contact, 24 Vdc ( <b>K2 / Vac Motor</b> )
31	56002094	4	Scr, Hex Hd 5/16-18x1.50	88	56469858	3	Standoff, Insulated
35	56009030	3	Scr, Pan Phil Thd Form 10-24x.38 <b>(Qty of 1 on Non-Onboard Charger models)</b>	89	56002462	7	Scr, Pan Phil 1/4-20x.38
37	56009206	4	Scr, Truss Phil-Blk 10-24x.50	90	56002561	4	Nut, Hex W/ Shprf 1/4-20
39	56244969	1	Clamp, Hose SAE #12	91	56003698	2	Scr, Pan Phil Thd Form 8-32 x .75
40	56264442	1	Barb, 90 Elbow 3/4 X 3/8npt	92	56315182	1	Panel, Electrical
41	56303553	1	Key Switch Assembly	93	56315294	1	Speed Control ( <b>A2</b> )
*	56303526	A/R	Set of 2 Replacement Keys	94	56397088	1	Contact, 24v Spdt ( <b>K1 / Brush Motor</b> )
44	56315121	1	Guide, Cable	95	56009030	1	Scr, Pan Phil Thd Form 10-24x.38
45	56315124	1	Charger, On-Board 24V <b>NOTE 3</b> <b>#</b> <b>TSBUS2006-931, TSBUS2008-1008</b>	96	56409538	4	Insulator, Terminal
*	56315747	1	Thermistor Repair Kit for 56315124	97	56315345	1	Connector Assy ( <b>connected to batteries</b> ) <b>(non onboard charger only)</b>
47	56315162	1	Assy, Electrical Box ( <b>85-96</b> ) <b>TSBUS2005-897</b> <b>TSBUS2006-926</b>	98	56397187	1	Connector Assy ( <b>connected to machine</b> ) <b>(non onboard charger only)</b>
50#	56315193	2	Bushing, Flange <b>NOTE 4</b>	99	56002825	2	Scr, Pan Phil 1/4-20 x 1.25 <b>(non onboard charger only)</b>
51	56315206	1	Bracket, Charger ( <b>Onboard Charger Only</b> )	104	56315382	1	Clip, Conduit
52#	56109502	1	Panel, Electrical Assy	105#			<b>Deleted</b>
53#	56315236	1	Weldment, Squeegee Lift <b>NOTE 4</b>	106	56001993	2	Scr, Pan Phil 10-24 x .50
54	56315243	1	Cable Assy	107	56212236	1	Clamp, Plastic
55#	56315245	1	Bushing, Squeegee Cable <b>NOTE 4</b>	108#	56002053	4	Wsh, Flt STD #10
56	56315255	1	Circuit Breaker, 5 Amp	109#	56001854	1	Scr, Hex 1/4-20 x .50 <b>NOTE 5</b>
57	56315256	1	Circuit Breaker, 30 Amp	110#	56315730	1	Lever, Squeegee Lift <b>NOTE 5</b>
				111#	56009117	1	Wsh, Flt 1.031 x 1.859 x 0.48 <b>NOTE 5</b>
				112#	56003223	1	Pin, Cot Hair.148 x Dia .62/1.00 <b>NOTE 5</b>

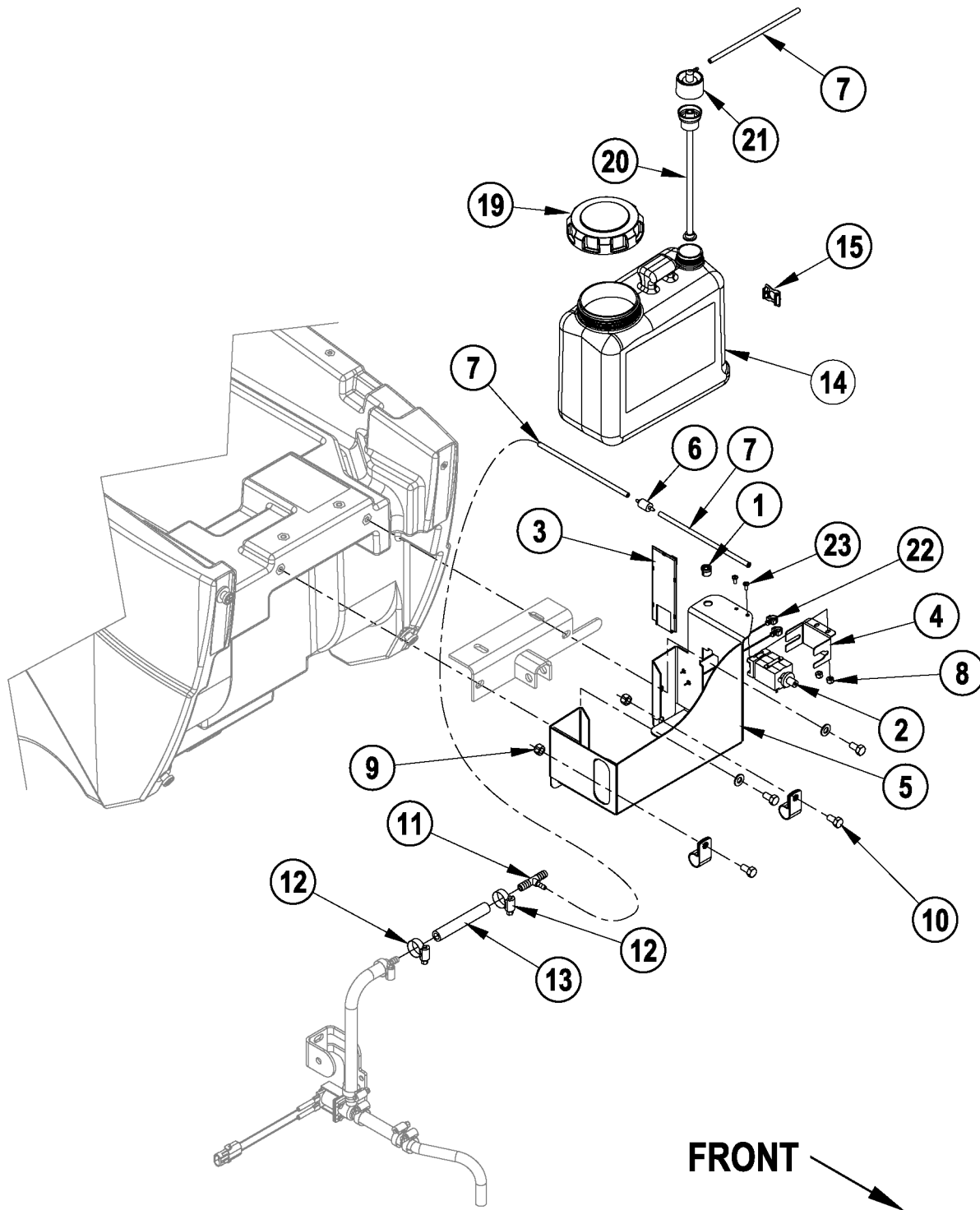
\* = Not Shown

# = Revised or new since last update.

# **NOTE 1:** Order this control panel assy if you have the "Old Pump" voltage reading across the solution pump (**M8**) leads.# **NOTE 2:** Order this control panel assy if you have the "New Pump" voltage reading across the solution pump (**M8**) leads.

	Voltage
<b>Regular Scrub</b>	
Old Pump	7
New Pump	9.56
<b>Heavy Scrub</b>	
Old Pump	11.3
New Pump	13.7
<b>Extreme Scrub</b>	
Old Pump	17
New Pump	19.24

# **NOTE 3:** Starting with Charger serial # CP240548022382 the charger software can be programmed with a computer and the QuiQ Programmer kit 56315732.# **NOTE 4:** Used before SN 2059968. Items 50 and 53 are obsolete, to replace order each of the following part numbers 56001854, 56315730, 56009117, 56003223 (qty 1).# **NOTE 5:** Used after SN 2059967.





04-11

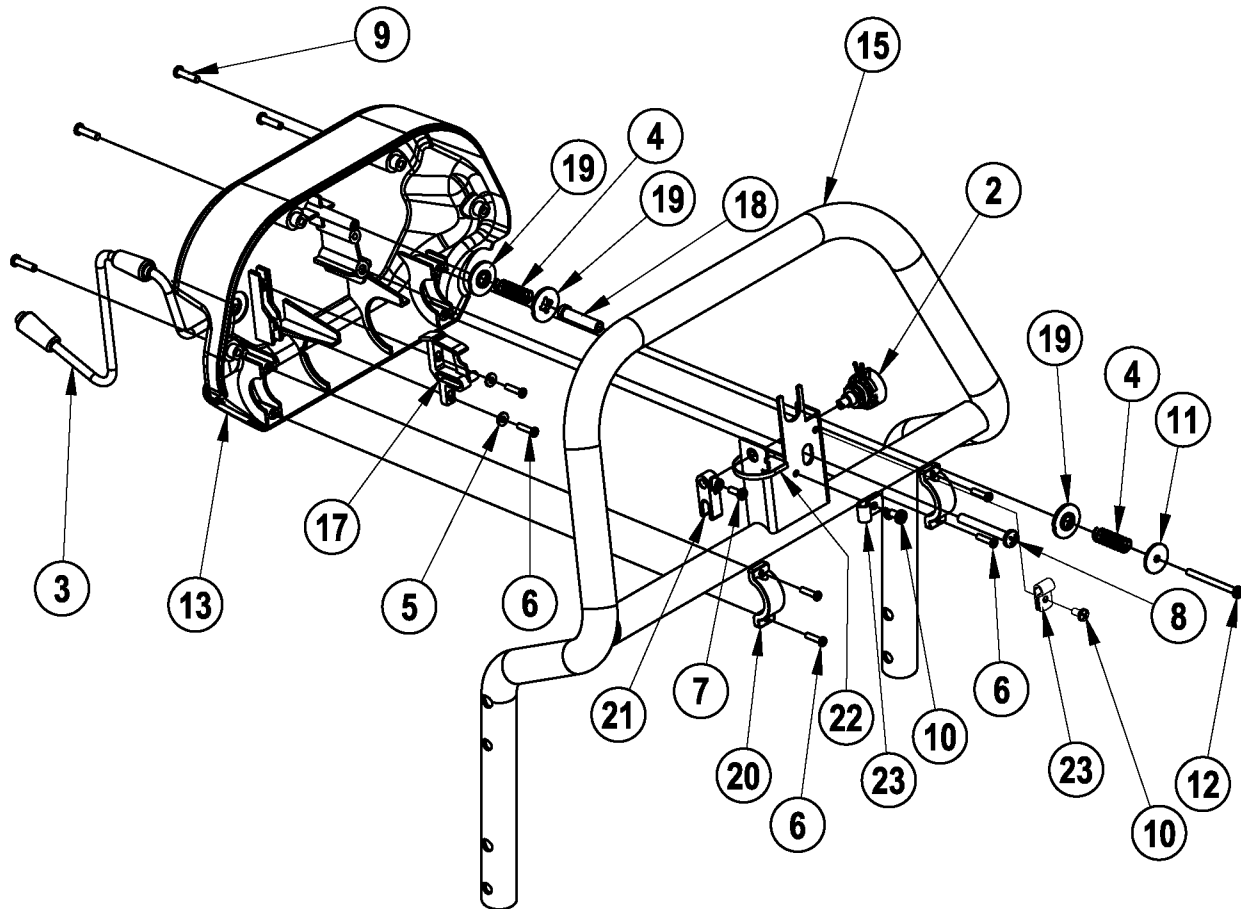
**CHEMICAL ASSEMBLY (AXP MODELS ONLY)**

08-4

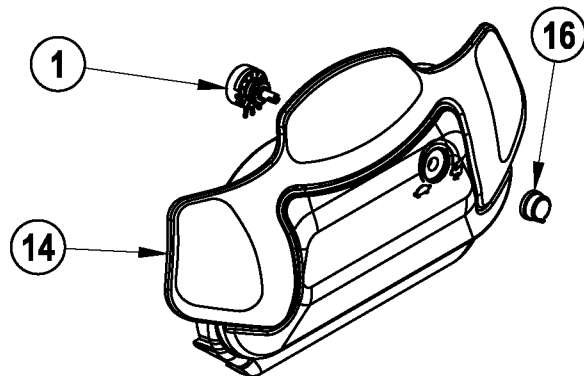
**Convertamatic™****23**

Item	Ref. No.	Qty	Description
	56315501	1	Chemical Tank Assy (1-8 & 22-23)
1	56003699	1	Bushing, 1/4 ID Snub
2	56315241	1	Pump, Chemical
3	56315340	1	Circuit Board Assy
4	56315476	1	Bracket, Chemical Pump
5	56315515	1	Bracket, Tank Mounting
6	56315522	1	Check Valve, 1/8 Barb, 125PSI
7	56315524	3	Hose, Chemical Resistant, 7"
8	56002877	2	Nut, Hex Nyl Loc SS 8-32
9	56002701	2	Nut, Hex Nyl Loc 5/16-18
10	56002035	2	Scr, Hex Hd 5/16-18 x .62
11	56315265	1	Tee, Barb
12	56219932	2	Clamp, Hose SAE #6
13	56412187	1	Hose, .38 Spiral
14	56315502	1	Chemical Bottle As
**	56315503	A/R	Chemical Bottle Assy (14, 19, 20, 21)
15	56315511	1	Indicator Assy
19	56315517	1	Cap
20	56315527	1	Insert, Dry Break
21	56315523	1	Cap, Dry Break, 1/8 Barb, 90°
22	56315382	2	Clip, Conduit
23	56003018	2	Scr, Pan Phil SS 8-32 x .38

\*\* = Optional, Not Included

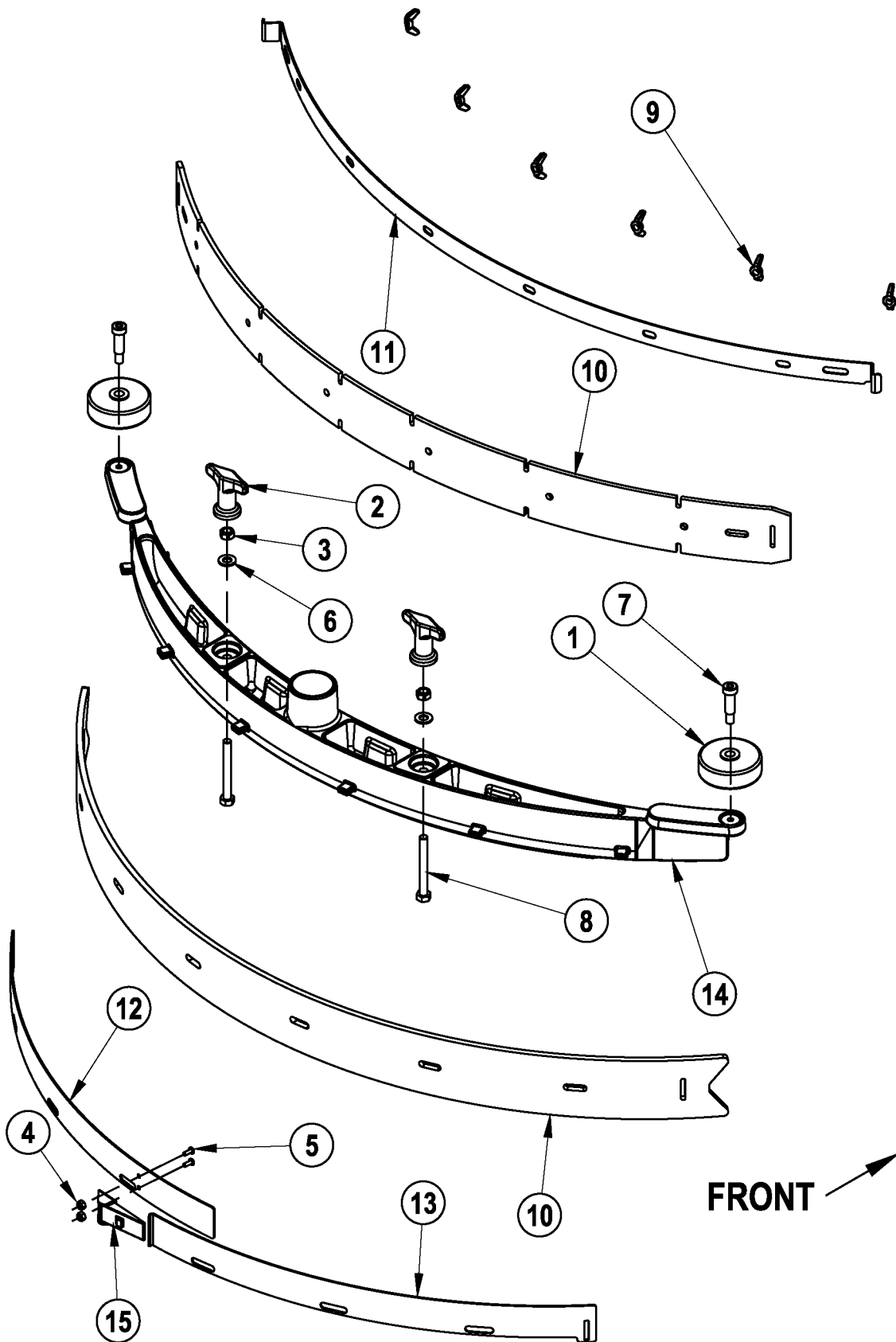


FRONT

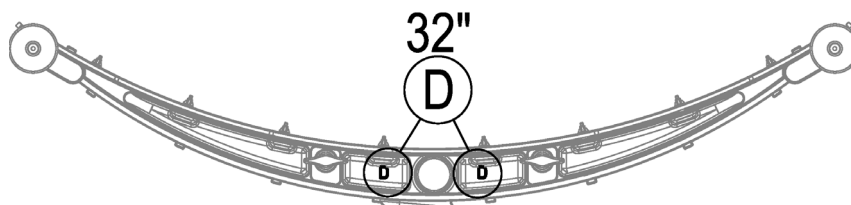
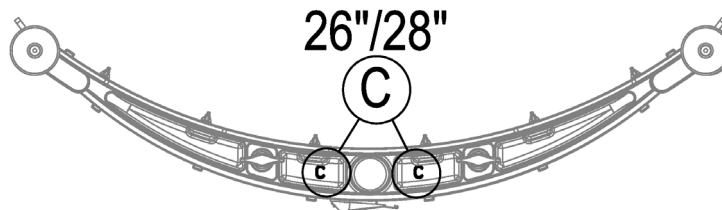
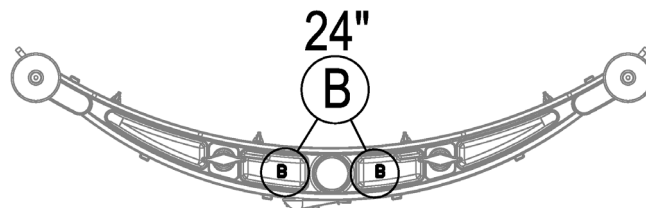


04-11	<b>PADDLE ASSEMBLY</b>		
06-8	<b>Convertamatic™</b>		<b>25</b>

Item	Ref. No.	Qty	Description
	56315266	1	Assembly, Paddle <b>TSBUS2005-898 / TSBUS2006-925</b>
1	56396197	1	Potentiometer, 100k <b>(R2)</b>
2	56397029	1	Potentiometer, 5k <b>(R1)</b>
3	56315231	1	Harness, Handle
4	56325654	2	Spring, Compression
5	56002006	2	Wsh, Flt SAE #6
6	56003197	6	Scr, Pan Phil Plastite 6-18x.62
7	56003354	1	Scr, Pan Phil M4 X 12
8	56003527	1	Scr, Pan Phil Plastite 1/4-10x2.00
9	56003545	4	Scr, Pan Phil Plastite 8-10x.75
10	56009030	2	Scr, Pan Phil Thd Form 10-24x.38
11	56009096	1	Wsh, Flt .193 X .875 X .060
12	56009287	1	Scr, Pan Phil Type B 8x2.00
13	56315229	1	Paddle, Back Cover
14	56315230	1	Paddle, Front Cover
15	56315251	1	Weldment, Handle Bar
16	56315280	1	Knob
17	56397015	1	Cam Controller
18	56397109	1	Sleeve
19	56397170	3	Washer, Plastic
20	56397171	2	Clamp
21	56397172	1	Potentiometer Fork
22	56478246	1	Tie, Cable
23	56481890	2	Clamp, P



Item	Ref. No.	Qty	Description	Item	Ref. No.	Qty	Description
	56315291	1	Squeegee Assembly "B" (24")				<b>24" Squeegee Blade Kits</b>
	56315290	1	Squeegee Assembly "C" (26" & 28")	**	56315347	1	Kit, Gum Rubber Squeegee Blade <b>NOTE 1</b>
	56315632	1	Squeegee Assembly "D" (32")	**	56315351	1	Kit, Linatex Squeegee Blade <b>NOTE 1</b>
1	56324350	2	Wheel	**	56314305	1	Kit, Neoprene Squeegee Blade <b>NOTE 1</b>
2	56370711	2	Nut, Thumb	**	56315854	1	Kit, Squeegee Blade PU B <b>NOTE 1</b>
3	56002851	2	Nut, Hex Nyl Loc-Thin SS 5/16-18				<b>26" &amp; 28" Squeegee Blade Kits</b>
4	56002907	2	Nut, Hex Nyl Loc SS 6-32	**	56315348	1	Kit, Gum Rubber Squeegee Blade <b>NOTE 1</b>
5	56002909	2	Scr, Pan Phil SS 6-32x.38	**	56315352	1	Kit, Linatex Squeegee Blade <b>NOTE 1</b>
6	56002938	2	Wsh, Flt SAE SS 5/16	**	56314062	1	Kit, Neoprene Squeegee Blade <b>NOTE 1</b>
7	56003472	2	Scr, Soc Shd .38 X 1.00 X 5/16-18	**	56315855	1	Kit, Squeegee Blade PU C <b>NOTE 1</b>
8	56003736	2	Scr, Hex Thd to Hd SS 5/16-18 x 3.00				<b>32" Squeegee Blade Kits</b>
9	56009111	6	Nut, Wing SS 1/4-20	**	56315674	1	Kit, Gum Rubber Squeegee Blade <b>NOTE 1</b>
10	56315347	1	Squeegee Blade kit (24") <b>NOTE 1</b>	**	56314865	1	Kit, Linatex Squeegee Blade <b>NOTE 1</b>
	56315348	1	Squeegee Blade kit (26" & 28") <b>NOTE 1</b>	**	56314843	1	Kit, Neoprene Squeegee Blade <b>NOTE 1</b>
	56315674	1	Squeegee Blade kit (32") <b>NOTE 1</b>	**	56315856	1	Kit, Squeegee Blade PU D <b>NOTE 1</b>
11	56314028	1	Strap, Front "B" (24")	** = Optional, Not Included			
	56314322	1	Strap, Front "C" (26" & 28")				
	56314696	1	Strap, Front "D" (32")	<b>NOTE 1:</b> All squeegee blade kits include both front and rear squeegee blades.			
12	56314026	1	Strap, Left Rear "B" (24")				
	56314323	1	Strap, Left Rear "C" (26" & 28")				
	56314691	1	Strap, Left Rear "D" (32")				
13	56314027	1	Strap, Right Rear "B" (24")				
	56314324	1	Strap, Right Rear "C" (26" & 28")				
	56314692	1	Strap, Right Rear "D" (32")				
14	56314271	1	Squeegee Tool, Cast "B" (24")				
	56314325	1	Squeegee Tool, Cast "C" (26" & 28")				
	56314694	1	Squeegee Tool, Cast "D" (32")				
15	56471194	1	Latch Assembly				





Item	Ref. No.	Qty	Description	Item	Ref. No.	Qty	Description
A1	56315297	1	Control Panel Assy (A1) NOTE 1	*	56315124	1	Charger, Onboard 24V
	56315777	1	Control Panel Assy (A1) NOTE 2				(Onboard Charger Models Only) NOTE 3
A2	56315294	1	Speed Control	#			TSBUS2006-931, TSBUS2008-1008
BT1	NA	4	Battery	*	56315747	1	Thermistor Repair Kit for 56315124
F1	56412089	1	Fuse, 150 Amp	*	56315340	1	Chemical Ratio Sensor (Chemical Models Only)
F2	56315255	1	Circuit Breaker, 5 Amp	*	56315249	1	Harness, Main TSBUS2006-926 / TSBUS2007-955
F3	56315256	1	Circuit Breaker, 30 Amp	*	56315751	1	Vacuum Harness TSBUS2007-955
K1	56397088	1	Contactora, Brush Motor	*	56416445	3	Cable Assy 4 AWG (Battery Cables)
K2	56412179	1	Contactora, Vac Motor	*	56372673	8	Boot, Battery Post
L1	56397203	1	Solenoid, Solution	*	56478523	2	Tie, Cable
L2	56397203	1	Solenoid, Recycle Solution (Optional)	*	56478246	9	Tie, Cable
M1	56315062	1	Transaxle, 24v	*	56314119	1	Spacer. Battery
*	56315377	1	Motor				
*	56315378	4	Carbon Brush				
*	56315379	2	Neoprene Mounting Sleeve				
M2	56315056	1	Motor, Left Brush (Disk)				
*	56315376	4	Carbon Brush				
*	56397138	4	Brush Spring				
	56315061	1	Motor, Left Brush (Cylindrical)				
*	56412287	1	Brush / Spring Kit				
M3	56315056	1	Motor, Right Brush (Disk)				
*	56315376	4	Carbon Brush				
*	56397138	4	Brush Spring				
	56315061	1	Motor, Left Brush (Cylindrical)				
*	56412287	1	Brush / Spring Kit				
M4	56412218	1	Motor, Vac				
*	56397098	1	Carbon Brush Set of 2				
M5	56393303	1	Motor, Brush Actuator				
*#	56388520	1	Plastic Nut (for use on 56393303)				
M8#	56315108	1	Pump, Solution				
M9#	56315132	1	Pump, Recycle (Optional)				
M10#	56315241	1	Pump, Chemical (Optional)				
R1	56397029	1	Potentiometer, 5K Ohm, Throttle				
R2	56396197	1	Potentiometer, 100K Ohm, Speed Limit				
S1	NA	1	Part of M7				
S2	NA	1	Part of M8				
S3	56303553	1	Switch, Key				
*	56303526	A/R	Set of 2 Replacement Keys				
S4	56315096	1	Switch, Float				
S5	56315096	1	Switch, Float (Optional / Recycle Start)				
S6	56315096	1	Switch, Float (Optional / Recycle Stop)				

\* = Not Shown

# = Revised or new since last update

NOTE 1: Order this control panel assy if you have the "Old Pump" voltage reading across the solution pump (M8) leads.

NOTE 2: Order this control panel assy if you have the "New Pump" voltage reading across the solution pump (M8) leads.

	Voltage
<b>Regular Scrub</b>	
Old Pump	7
New Pump	9.56
<b>Heavy Scrub</b>	
Old Pump	11.3
New Pump	13.7
<b>Extreme Scrub</b>	
Old Pump	17
New Pump	19.24

NOTE 3: Starting with Charger serial # CP240548022382 the charger software can be programmed with a computer and the QuiQ Programmer kit 56315732.

**OPTIONAL KITS AND ACCESSORIES**

04-11

30

**Convertamatic™**

08-9

Ref. No.	Qty	Description
<b>Kits</b>		
** 56315168	1	Extended Scrub Kit
** 56315312	1	Squeegee Wand Kit
** 56315732	1	QuiQ Programmer Kit <b>NOTE 2 TSBUS2007-979</b>
** 56315322	A/R	Kit, 24" Disk Deck Assy
** 56315323	A/R	Kit, 26" Disk Deck Assy
** 56315324	A/R	Kit, 28" Disk Deck Assy
** 56315864	A/R	Kit, 32" Disk Deck Assy
** 56315325	A/R	Kit, 24" Cyl Deck Assy
** 56315326	A/R	Kit, 26" Cyl Deck Assy
** 56315327	A/R	Kit, 28" Cyl Deck Assy
<b>24" Squeegee Blade Kits</b>		
** 56315347	1	Kit, Gum Rubber Squeegee Blade <b>NOTE 1</b>
** 56315351	1	Kit, Linatex Squeegee Blade <b>NOTE 1</b>
** 56314305	1	Kit, Neoprene Squeegee Blade <b>NOTE 1</b>
** 56315854	1	Kit, Squeegee Blade PU B <b>NOTE 1</b>
<b>26" &amp; 28" Squeegee Blade Kits</b>		
** 56315348	1	Kit, Gum Rubber Squeegee Blade <b>NOTE 1</b>
** 56315352	1	Kit, Linatex Squeegee Blade <b>NOTE 1</b>
** 56314062	1	Kit, Neoprene Squeegee Blade <b>NOTE 1</b>
** 56315855	1	Kit, Squeegee Blade PU C <b>NOTE 1</b>
<b>32" Squeegee Blade Kits</b>		
** 56315674	1	Kit, Gum Rubber Squeegee Blade <b>NOTE 1</b>
** 56314865	1	Kit, Linatex Squeegee Blade <b>NOTE 1</b>
** 56314843	1	Kit, Neoprene Squeegee Blade <b>NOTE 1</b>
** 56315856	1	Kit, Squeegee Blade PU D <b>NOTE 1</b>

Ref. No.	Qty	Description
<b>Common Accessories</b>		
** 56315316	A/R	Tote Bag
** 56409441	A/R	Programmer, 1307 User
** 56409823	A/R	Programmer Cable
** 56397453	6	Indicator, Battery Level ( <b>1 per battery</b> )
** 56044331	A/R	Convertamatic Literature Pack
<b>Optional Batteries</b>		
** 56206987	4	Battery, 6V 180AH Gel <b>TSBUS2008-984</b>
** 56206117	4	Battery, 6V 195AH Wet <b>TSBUS2008-984</b>
** 56206079	4	Battery, 6V 235AH Wet <b>TSBUS2008-984</b>
** 56315772	4	Battery, 6V 255AH AGM <b>TSBUS2008-984</b>
<b>Optional Battery Chargers</b>		
** 56388109	A/R	Charger, 24V 25A 110V <b>TSBUS2008-984</b>

\* = Not Shown  
 \*\* = Optional, Not Included

**NOTE 1:** All squeegee blade kits include both front and rear squeegee blades.  
**NOTE 2:** Starting with Charger serial # CP240548022382 the charger software can be programmed with a computer and the QuiQ Programmer kit 56315732.



We provide brushes and pad holders that will give you the best possible performance between machine and floor. Following are descriptions of the materials and their applications.

Union Mix:	Medium grade natural fibers for polishing finished floors with standard-speed equipment. Recommended for use in place of white pads.
ProLite:	Bristles are made from light-duty polypropylene for general scrubbing when you do not want to scratch or remove finish from the floor. Recommended for use in place of red pads.
Prolene:	Polypropylene material for medium-duty scrubbing on concrete, terrazzo and vinyl floor tile. Recommended for use in place of green or blue pads.
Magna Grit:	For extreme heavy-duty scrubbing or stripping of floors. This brush has extra large diameter silicon carbide grit impregnated synthetic bristles. Recommended for use in place of black pads.
Dyna Grit:	For aggressive, heavy-duty scrubbing or stripping of floors. Recommended for use in place of brown pads.
MidLite Grit:	For general purpose scrubbing of sealed or unsealed concrete, stone, terrazzo, quarry tile and other resilient hard floor surfaces. Recommended for use in place of green or blue pads.
MidGrit:	For general purpose scrubbing when you need a lighter action for sealed or unsealed concrete, stone, terrazzo, quarry tile and other resilient hard floor surfaces. Recommended for use in place of green or blue pads.
AgLite Grit:	For light scrubbing when used wet; buffing or polishing when used dry on urethane coated, sealed concrete or other resilient hard surface floors. Recommended for use in place of red or white pads.
Short Trim Pad Holder:	Made with a structural foam block and center ring for correct pad centering. It has a "shower feed" design for getting solution to the floor.

**24" BRUSHES**

56505750 - Short Trim Pad Holder  
 56505195 - Pad Retainer for 56505750  
 56505751 - MagnaGrit  
 56505752 - DynaGrit  
 56505753 - AgLite  
 56505754 - Prolene  
 56505755 - ProLite  
 56505756 - Union Mix  
 56505757 - MidGrit  
 56505758 - MidLite Grit

**26" BRUSHES**

56505760 - Short Trim Pad Holder  
 56505195 - Pad Retainer for 56505760  
 56505761 - MagnaGrit  
 56505762 - DynaGrit  
 56505763 - AgLite  
 56505764 - Prolene  
 56505765 - ProLite  
 56505766 - Union Mix  
 56505767 - MidGrit  
 56505768 - MidLite Grit

**28" BRUSHES**

56505800 - Short Trim Pad Holder  
 56505195 - Pad Retainer for 56505800  
 56505801 - MagnaGrit  
 56505802 - DynaGrit  
 56505803 - AgLite  
 56505804 - Prolene  
 56505805 - ProLite  
 56505806 - Union Mix  
 56505807 - MidGrit  
 56505808 - MidLite Grit

**32" BRUSHES**

56505830 - Short Trim Pad Holder  
 56505195 - Pad Retainer for 56505800  
 56505831 - MagnaGrit  
 56505832 - DynaGrit  
 56505833 - AgLite  
 56505834 - Prolene  
 56505835 - ProLite  
 56505836 - Union Mix  
 56505837 - MidGrit  
 56505838 - MidLite Grit

**DISC BRUSH APPLICATION GUIDE (SUGGESTION ONLY)**

Application	46 Grit	80 Grit	180 Grit	240 Grit	500 Grit	Prolene	Prolite	Union Mix
<b>Stripping:</b>								
Concrete	X	X						
Terrazzo	X	X						
Ceramic/Quarry tile		X						
Vinyl tile		X						
<b>General Scrubbing:</b>								
Concrete	X	X	X	X		X		
Terrazzo			X	X	X	X		
Ceramic/Quarry tile			X	X	X	X		
Marble					X		X	
Vinyl tile			X		X	X		
Raised-rubber tile					X		X	
<b>Polishing:</b>								
Raised Disc Tile								X
Marble								X
Vinyl tile								X

We provide brushes and pad holders that will give you the best possible performance between machine and floor. Following are descriptions of the materials and their applications.

- 46 Grit Brush: Most aggressive grit brush. Used primarily to clean heavy buildup on concrete floors in factories, or for heavy stripping of finish.
- 80 Grit Brush: Medium aggressive grit brush. Good all-around brush for medium to heavy buildup removal. Can also be used for general stripping operations.
- 180 Grit Brush: Least aggressive grit brush. Used for daily cleaning of hard-finished floors.
- Polypropylene Brush: Standard equipment brush. Low cost, yet effective in cleaning many common floor surfaces.
- Stiff Nylon Brush: Cleaning action similar to polypropylene. More durable and wear-resistant than polypropylene.
- Soft Nylon Brush: Least aggressive brush available. Used on soft-finish floors where a more aggressive brush would leave scratch marks, or in applications requiring very light cleaning.

**24" BRUSHES**

56314389 - Soft Nylon  
 56314390 - Hard Nylon  
 56314391 - Prolene  
 56314392 - 180 Grit  
 56314393 - 80 Grit  
 56314394 - 46 Grit

**26" BRUSHES**

56314383 - Soft Nylon  
 56314384 - Hard Nylon  
 56314385 - Prolene  
 56314386 - 180 Grit  
 56314387 - 80 Grit  
 56314388 - 46 Grit

**28" BRUSHES**

56412191 - Soft Nylon  
 56412192 - Hard Nylon  
 56412046 - Prolene  
 56412193 - 180 Grit  
 56412194 - 80 Grit  
 56412194 - 46 Grit

**CYLINDRICAL BRUSH APPLICATION GUIDE (SUGGESTION ONLY)**

Application	46 Grit	80 Grit	180 Grit	Polypropylene	Stiff Nylon	Soft Nylon
<b>Stripping:</b>						
Concrete	X	X				
Terrazzo	X	X				
Ceramic/Quarry tile		X				
Vinyl tile		X				
<b>General Scrubbing:</b>						
Concrete	X	X	X	X	X	
Terrazzo			X	X	X	X
Ceramic/Quarry tile			X	X	X	X
Marble			X		X	X
Vinyl tile			X	X	X	X
Raised-rubber tile			X			X





**Nilfisk  
Advance**

*setting standards*

**Nilfisk-Advance, Inc.**  
14600 21st Avenue North  
Plymouth, MN 55447-3408  
[www.nilfisk-advance.com](http://www.nilfisk-advance.com)  
Phone: 800-989-2235  
Fax: 800-989-6566  
©2008 Nilfisk-Advance, Inc.